

MALIBU 2017

CHEVROLET



Malibu Premier in Iridescent Pearl Tricoat
(extra-cost color) with available features.



When you explore new places, you find unexpected possibilities.

FIND NEW ROADS™

Malibu Premier in Iridescent Pearl Tricoat (extra-cost color) with available features.

“Simply excellent.”
— AUTOMOBILE



EXCEPTIONAL IN EVERY ASPECT.

Surpass all of your own expectations with Malibu and Malibu Hybrid for 2017. A perfect mix of bold design and ingenious technology, these vehicles are everything you ever wanted but never thought you'd find.

Expect outstanding fuel efficiency¹ throughout the lineup. And peace of mind from the available advanced safety technologies that help prevent and protect you from a potential collision. Connectivity is personalized with available support for Apple CarPlay™² and Android Auto™² that provides a simple and smart way to use some of your phone's features. You can easily access these features through the available Chevrolet MyLink³ touch-screen display.

The 2017 Malibu. Make every day extraordinary.

¹ EPA-estimated MPG city/highway: Malibu with 1.5L engine 27/36, with 2.0L engine 22/33, Hybrid 49/43. ² Vehicle user interfaces are products of Apple and Google and their terms and privacy statements apply. Requires compatible smartphone and data plan rates apply. Apple CarPlay is a trademark of Apple Inc. Android Auto is a trademark of Google Inc. ³ MyLink functionality varies by model. Full functionality requires compatible Bluetooth and smartphone, and USB connectivity for some devices.



EXTERIOR DESIGN

DYNAMIC LINES SET A NEW CURVE.

The 2017 Malibu has presence, with an exterior appearance that is agile and dynamic yet refined. The combination of expressive, bold shapes and sculpted surfaces commands attention.

ILLUMINATE THE POSSIBILITIES.

The stunningly slim headlamps provide a contemporary visual statement while offering outstanding visibility. LT, Hybrid and Premier feature LED daytime running lamps. Premier also boasts LED taillamps.

A BODY IN MOTION. Low, elongated proportions give Malibu a dramatic profile, a windswept look and the impression of constant motion. And, maybe most important, there's also considerable interior space.

MALIBU HYBRID: UP TO 49 MPG CITY!

To help offer such lofty numbers, our aerodynamics team paid special attention to the mirrors, headlamps and decklid. In fact, with its sculpted lines, Malibu gives the wind little to hold on to. Malibu Premier (shown) offers an EPA-estimated 33 MPG highway and 22 MPG in the city.



1. BRIGHT IMPRESSIONS. LED taillamps and polished dual exhaust outlets ensure Premier makes a lasting impression.

2. SIGNATURE STYLE. Badging on each front door punctuates exterior styling and reinforces that Malibu is a signed original.

3. MOVE BOLDLY. These 19-inch aluminum wheels, available on Premier, were designed specifically to complement the athletic exterior lines.


4. THE ART OF A MEMORABLE EXIT. An integrated spoiler on the rear decklid helps direct airflow smoothly and efficiently away from Malibu.

¹ EPA-estimated MPG city/highway: Hybrid 49/43.

INTERIOR DESIGN

***WANTS AND NEEDS
COMFORTABLY COEXIST.***

Malibu Premier interior in
Dark Atmosphere/Medium Ash Gray
with available features.



Malibu Premier interior in
Dark Atmosphere/Loft Brown.

MAKE YOURSELF COMFORTABLE.

Whether you are driving across town or across the country, the seats in Malibu were designed to keep you traveling in comfort. The 8-way power driver seat, standard on LT, Hybrid and Premier, puts you in complete control.

ENJOY A WARM WELCOME. Premier features heated front seats, a heated steering wheel to chase away the chill and ventilated front seats to keep you cool when things heat up.

UNCOMMON ACCOMMODATIONS.

Satin chrome is generously displayed throughout the Malibu cabin to enhance sophistication and help diminish glare. Soft touch components exude an uncommon level of quality.

EVERY SEAT, FIRST-CLASS. Rear-seat passengers were kept top of mind in Malibu. That's why the design includes generous rear-seat leg room and rear doors that open wide to help make entry and exit easier.

DON'T FORGET YOUR LAPTOP. Or let lunches linger in the backseat. Rear Seat Reminder¹ activates when the rear doors are opened and closed up to 10 minutes before or anytime while your vehicle is on, so when you turn your car off, you will get a reminder to double-check for valuables left behind.

A QUIET SANCTUARY. An acoustic-laminated windshield, a custom dash panel with strategic applications of laminated steel, and triple-sealed doors are just a few of the features that help keep the chaos of the outside world at bay.

¹ Does not detect people or items. Always check rear seat before exiting.

TECHNOLOGY

1. myChevrolet Mobile App!

Simply download the app to your compatible smartphone and if your vehicle is properly equipped, you can start or turn off the engine, lock/unlock the doors, send destinations to your available navigation² system, view key vehicle diagnostic information, set parking reminders and more.

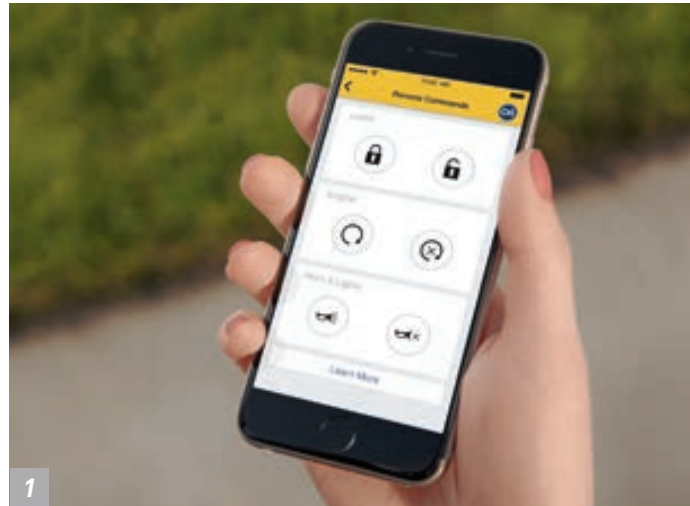
2. TAKE THE WHEEL IN COMFORT.

A heated steering wheel is standard on Premier, along with standard memory settings that remember preferences for two different drivers.

3. MORE THAN A PRETTY FACE.

With available Apple CarPlay™ compatibility,³ you can simply and smartly connect with some of your favorite compatible iPhone® features, including Phone, Music, Maps and Messages, right on your vehicle's display. You can even interact with some of your favorite audio apps, such as iHeartRadio⁴ and Pandora Internet Radio⁴

4. STAY CHARGED UP. Conveniently charge your cell phone with the available wireless charging station⁵



1



2




3



4

¹ Requires data plan, compatible vehicle and compatible device. Some features require factory-installed remote start, power locks, Tire Pressure Monitoring System or active OnStar service. ² Map coverage available in the United States, Puerto Rico and Canada. ³ Vehicle user interface is a product of Apple and its terms and privacy statements apply. Requires compatible smartphone and data plan rates apply. Apple CarPlay is a trademark of Apple Inc. iPhone is a trademark of Apple Inc., registered in the U.S. and other countries. ⁴ Data plan rates apply. ⁵ The system wirelessly charges one PMA- or Qi-compatible mobile device. Some devices require an adaptor or back cover. To check for phone or other device compatibility, visit my.chevrolet.com/learn for details.



Malibu Premier interior in Dark Atmosphere/Medium Ash Gray with available features.

EASY ACCESS TO YOUR SMARTPHONE.

You can quickly and intuitively interact with select smartphone apps with support for available Android Auto.¹ This system takes some of your compatible Android phone's features and puts them on the available Chevrolet MyLink² display in a smart, simple manner. You can access your phone, text messages, music, navigation and more.

MYLINK. YOUR WAY. Chevrolet MyLink² lets you arrange icons and features on the 8-inch diagonal (Premier) or 7-inch diagonal (LS, LT and Hybrid) color touch-screen, much like you would with a smartphone or tablet. The screen is tilted up to aid visibility and help prevent screen glare.

SHOP YOUR APPS. Easily browse, select and install apps that enhance your driving experience so it gets better every day. Using your vehicle's touch-screen, you can access Shop³ to customize your content.

MAINTAIN YOUR CONNECTIONS.

Thanks to available built-in 4G LTE Wi-Fi,⁴ you have the ability to seamlessly connect smart devices and your vehicle to the Internet.⁴ With great signal quality and bandwidth for up to seven devices, that means you could be hearing "Are we there yet?" a lot less. Which helps maintain your peace of mind.

¹ Vehicle user interface is a product of Google and its terms and privacy statements apply. Requires compatible smartphone and data plan rates apply. Android Auto is a trademark of Google Inc. ² MyLink functionality varies by model. Full functionality requires compatible Bluetooth and smartphone, and USB connectivity for some devices. ³ Visit chevrolet.com for details about Shop. ⁴ Requires a compatible mobile device, active OnStar service and data plan. 4G LTE service available in select markets. Visit onstar.com for coverage map, details and system limitations. Data plans provided by AT&T.



ADAPTIVE CRUISE CONTROL. Using front-mounted radar, this available feature on Premier maintains your selected cruise speed and following-gap distance, automatically braking when necessary in stop-and-go traffic.



AVAILABLE FRONT PEDESTRIAN BRAKING. At speeds up to 50 mph, a forward-looking camera surveys the road ahead, flashing a warning signal and a series of eight beeps when the vehicle is approaching a pedestrian ahead too fast. If necessary, the available system will even automatically apply last-second braking.



FORWARD AUTOMATIC BRAKING. Using the same radar sensors as Adaptive Cruise Control and available on Premier, Forward Automatic Braking helps mitigate collisions or even prevent them at low speeds. The system alerts the driver if a detected vehicle slows unexpectedly.



LOW SPEED FORWARD AUTOMATIC BRAKING. Available on LT, Hybrid and Premier, camera-based Low Speed Forward Automatic Braking helps prevent or mitigate collisions at speeds below 50 mph.



FORWARD COLLISION ALERT. This available feature continually monitors how close your vehicle is to the vehicle in front of you. If the system determines that a front-end collision with a detected

vehicle is imminent, it alerts the driver to a potential crash. It also warns the driver if their Malibu is following a detected vehicle too closely.



AVAILABLE LANE KEEP ASSIST. At speeds above 37 mph, this available camera-based system monitors road lines and will gently turn the steering wheel if the vehicle begins changing lanes without the use of a turn signal.



SIDE BLIND ZONE ALERT. With radar sensors on both sides of the vehicle, available Side Blind Zone Alert helps to warn you when vehicles are in your side mirror blind zones and indicates their presence with LED-lit symbols in the exterior mirrors.



LANE CHANGE ALERT. Working with Side Blind Zone Alert, available Lane Change Alert employs radar sensors in the rear corners of the vehicle to help detect and warn the driver of fast-approaching vehicles in the adjacent lanes from up to 82 feet away, not just in the side view mirror blind zones.



REAR CROSS TRAFFIC ALERT. Using the same radar sensors as Lane Change Alert, this available feature alerts you to crossing traffic behind your Malibu when backing up. Audible warnings, as well as visual alerts on the rear vision camera screen, are triggered if approaching vehicles are detected.



REAR VISION CAMERA. Standard on Malibu LS, LT, Hybrid and Premier, the rear vision camera displays a view of the area immediately behind the vehicle on the touch-screen – making it easier to see what's behind you while backing up.



AVAILABLE FRONT AND REAR PARK ASSIST. Ideal when pulling into a parking spot at low speeds, the available system senses stationary objects and warns you if an object is too close. The rear vision camera automatically displays a live image of the area behind the vehicle on the available Chevrolet MyLink screen after you shift into Reverse.



SEMI-AUTOMATIC PARKING ASSIST. This ingenious available system enables Malibu Premier to detect viable parking spaces, determine approach angles and take over the steering to neatly maneuver into an available space. Throttle, brake and transmission (or gear selection) input is still required by the driver, but the vehicle steers itself into any suitably sized reverse parallel or reverse right-angle (90-degree) parking spot.



INTELLIBEAM HEADLAMPS. When oncoming headlamps are sensed or when taillamps are detected in front of you, the available IntelliBeam® high beam assist intuitively adjusts between low and high beams.

Malibu Premier in Nightfall Gray Metallic with available features.

“★★★★★”
**OVERALL VEHICLE
SCORE FOR SAFETY!**

— NATIONAL HIGHWAY TRAFFIC SAFETY
ADMINISTRATION

¹ Government 5-Star Safety Ratings are part of the National Highway Traffic Safety Administration's (NHTSA's) New Car Assessment Program (www.SaferCar.gov).



1



2

1. BETTER DRIVING HABITS. Perfect for new drivers, available Teen Driver technology helps encourage safe driving habits in a number of ways, like providing an in-vehicle report that monitors frequency of available safety tech features activated, muting the audio system when front-seat occupants aren't wearing their safety belts, and giving audible and visual warnings when the vehicle is traveling over a predetermined speed.

2. ONSTAR® AUTOMATIC CRASH RESPONSE! In a crash, built-in sensors can alert a specially trained OnStar Advisor, who is connected into your Malibu to see if you need help – even if you can't ask for it. Advisors can use GPS technology to pinpoint your location and request emergency help. Automatic Crash Response is included in the OnStar Guidance Plan,² standard for the first three months.

3. COCOON YOURSELF IN CONFIDENCE. In addition to 10 standard air bags³ and a safety cage containing ultra-high-strength steel, Malibu has earned a 2016 IIHS Top Safety Pick+ Award when equipped with available Low Speed Forward Automatic Braking.



3

¹ Visit onstar.com for vehicle availability, details and system limitations. OnStar acts as a link to existing emergency service providers. Not all vehicles may transmit all crash data. ² Visit onstar.com for coverage map, details and system limitations. ³ Air bag inflation can cause severe injury or death to anyone too close to the air bag when it deploys. Be sure every occupant is properly restrained. A NOTE ON CHILD SAFETY: Always use safety belts and the correct child restraint for your child's age and size, even with air bags. Even in vehicles equipped with the Passenger Sensing System, children are safer when properly secured in a rear seat in the appropriate infant, child or booster seat. Never place a rear-facing infant restraint in the front seat of any vehicle equipped with an active frontal air bag. See the Owner's Manual and the child safety seat instructions for more safety information.

MALIBU HYBRID

49 MPG¹

CITY/43 MPG HIGHWAY

1.8L

2-MODE HYBRID
4-CYLINDER ENGINE

EXCELLENT
EFFICIENCY

Malibu Hybrid takes fuel
efficiency farther.



¹ EPA-estimated. ² Based on EPA-estimated 43 MPG highway and fuel tank capacity. Your range may be less.

Malibu Hybrid in Silver Ice Metallic
with available features.

PROVEN HYBRID TECHNOLOGY.

Leveraging components from the Chevrolet Volt, Malibu Hybrid is powered by a direct injected 1.8L 4-cylinder engine mated to a two-motor electric drive unit. The drive unit provides additional energy to assist the engine for a total of 182 horsepower (136 kW).

49 MPG CITY/43 HIGHWAY! Malibu Hybrid offers an estimated 49 MPG city/43 highway. This can translate to a maximum highway range of up to 550 miles per tank²

LITHIUM-ION BATTERY PACK. An 80-cell, 1.5 kWh lithium-ion battery pack provides electric power to the hybrid system that

can propel Malibu Hybrid to speeds over 50 mph with electricity alone. The gasoline-powered engine automatically comes on at higher speeds and high loads to provide additional energy.

ADVANCED REGENERATIVE BRAKING. In addition to the drive unit, Malibu Hybrid also features a regenerative braking

system that provides energy recovery during braking to help maintain charge.

STRONG, SLEEK, SENSATIONAL. Electric grille shutters enhance aerodynamic efficiency at highway speeds, and Active Noise Cancellation helps contribute to the impressively quiet ride.

PERFORMANCE

Malibu Premier in Nightfall Gray Metallic with available features.

AVAILABLE
2.0L TURBO
ENGINE WITH 9-SPEED AUTOMATIC TRANSMISSION

250
HORSEPOWER

260
LB.-FT. OF TORQUE



2.0L TURBO ENGINE. Those who crave exhilaration will not be disappointed. Try a 2.0L turbo engine with 250 horsepower and 260 lb.-ft. of torque and a new 9-speed automatic transmission for quick, seamless shifting. Both are standard on Premier. Those numbers are sure to push you back in your seat and put a smile on your face. And while performance is the first thing you'll notice, an EPA-estimated 33 MPG highway¹ is bound to keep your attention.

1.5L TURBO ENGINE. Powerfully efficient is the perfect way to describe this engine. Paired with a smooth-shifting 6-speed automatic transmission, this 1.5L turbo engine offers 163 horsepower, 184 lb.-ft. of torque and the kind of driving experience and performance you may not expect. It's not just exhilarating, it's also efficient, offering an EPA-estimated 36 MPG highway.²

SUPERIOR SUSPENSION. While performance has been enhanced, comfort is also key in Malibu. The MacPherson strut front suspension delivers a feeling of control while cornering, and the independently tuned 4-link rear suspension provides all the ride and handling benefits you desire at any speed.

RESPONSIVE HANDLING. Variable-effort Electric Power Steering (EPS) helps save fuel by using energy only when steering effort is applied. Balancing responsiveness and comfort, EPS feels light but agile, with greater assistance at low speeds and tighter control on the highway.

¹ EPA-estimated MPG city/highway: Malibu with 2.0L turbo engine 22/33. ² EPA-estimated MPG city/highway: Malibu with 1.5L turbo engine 27/36.

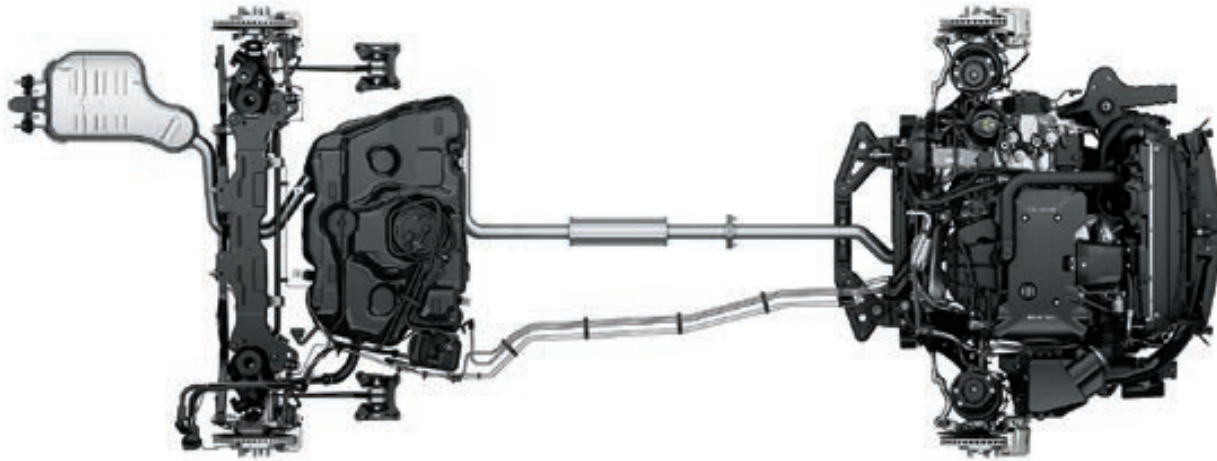
Malibu Premier in Iridescent Pearl Tricoat (extra-cost color) with available features.



WORKING THE CORE. Malibu features a light, highly optimized body structure that enables excellent acceleration as well as nimble handling.

INNER STRENGTH. By combining both press-hardened steel and ultra-high-strength steel, engineers created a cabin that is spacious, strong and lightweight.

PEACE AND QUIET. The quiet nature of Malibu begins with a honed exterior shape. It continues with sound-softening acoustic materials that help reduce, block and absorb road noise. The bottom line for you: Most of the commotion of the outside world is kept where it belongs.



1

1. PRECISE CONTROL. The MacPherson strut front suspension design features internal rebound springs that enable a more precise calibration of the struts, resulting in enhanced body-roll control during acceleration or turning.

2. INCREASED LONGEVITY. Every Malibu has 4-wheel disc brakes with Duralife™ brake rotors – which increase the service life – and 4-channel ABS for straighter, more controlled braking.

3. ENHANCED DEFINITION. More than 150 hours of wind tunnel testing resulted in a number of enhancements, including sculpted exterior mirrors that help bring you an unexpectedly quiet ride.



2



3

SPECIAL FEATURES



Available Bose® 9-speaker premium audio system.



Keyless Open and Start, standard on all models.



Available on LT, the Sun and Wheels Package includes power sunroof with fixed rear skylight, Universal Home Remote and 18" aluminum wheels.



Leather Package, available on LT and Hybrid, includes heated driver and front passenger seats, 6-way power-adjustable front passenger seat with power lumbar control and Bose 9-speaker premium audio system.

WHEELS



19" Aluminum (Available on Premier with Premier Sun and Wheel Package)



16" Steel with Painted Wheel Cover (Standard on L)



16" Aluminum (Standard on LS)



17" Aluminum (Standard on LT and Hybrid)



18" Aluminum (Available on LT with Sun and Wheels Package)



18" Aluminum (Standard on Premier)

COLORS



SUMMIT WHITE¹



IRIDESCENT PEARL TRICOAT^{2,3,4,5}



SILVER ICE METALLIC¹



NIGHTFALL GRAY METALLIC^{3,5}



PEPPERDUST METALLIC^{3,4,5}



CAJUN RED TINTCOAT^{1,2,3,4}



ARCTIC BLUE METALLIC^{1,3,4}



BLUE VELVET METALLIC^{1,3}



MOSAIC BLACK METALLIC³

¹ Not available with Dark Atmosphere/Loft Brown interior. ² Extra-cost color. ³ Not available on L. ⁴ Not available on LS. ⁵ Not available with Dark Atmosphere/Medium Ash Gray interior.

FABRICS



Loft Brown Perforated Leather Appointments with Dark Atmosphere Accents^{1,2}



Jet Black Premium Cloth with Jet Black Accents^{3,4}



Medium Ash Gray Premium Cloth with Dark Atmosphere Accents^{3,5,6}



Loft Brown Leather Appointments with Dark Atmosphere Accents^{2,7}



Jet Black Leather Appointments with Jet Black Accents⁷



Medium Ash Gray Leather Appointments with Dark Atmosphere Accents^{7,8}



Jet Black Perforated Leather Appointments with Jet Black Accents¹



Medium Ash Gray Perforated Leather Appointments with Dark Atmosphere Accents⁸

¹ Standard on Premier. ² Requires Pepperdust Metallic, Iridescent Pearl Tricoat, Nightfall Gray Metallic or Mosaic Black Metallic exterior colors. ³ Standard on LS. Requires Blue Velvet Metallic, Nightfall Gray Metallic, Mosaic Black Metallic, Silver Ice Metallic or Summit White exterior colors. ⁴ Standard on LT and Hybrid. ⁵ Standard on LT and Hybrid. Requires Arctic Blue Metallic, Blue Velvet Metallic, Silver Ice Metallic, Summit White, Mosaic Black Metallic or Cajun Red Tintcoat exterior colors. ⁶ Standard on L. Requires Silver Ice Metallic or Summit White exterior colors. ⁷ Available on LT and Hybrid with available Leather Package. ⁸ Requires Arctic Blue Metallic, Blue Velvet Metallic, Silver Ice Metallic, Summit White, Mosaic Black Metallic or Cajun Red Tintcoat exterior colors.

SELECT VEHICLE FEATURES

MALIBU L

1.5L turbocharged 4-cylinder engine with Direct Injection and stop/start technology
6-speed automatic transmission
MacPherson strut front suspension and 4-link rear suspension
10 air bags ¹
OnStar Guidance Plan ² (standard for the first three months, trial excludes Hands-Free Calling minutes), includes Automatic Crash Response and Turn-by-Turn Navigation
StabiliTrak [®] Electronic Stability Control System
Tire Pressure Monitoring System ³
Theft-deterrent system with content-theft alarm
Daytime running lamps
Halogen projector-beam headlamps with automatic exterior lamp control
Outside power-adjustable black mirrors
16" steel wheels with painted wheel covers
Capless fueling
Keyless Open and Start
Cruise control with Set and Resume Speed
Power-programmable door locks with lockout protection and rear-door child safety locks
AM/FM stereo
6-speaker sound system
Bluetooth [®] wireless technology ⁴ for select phones
Steering wheel-mounted controls for audio and cruise
Tilt and telescopic steering wheel
Driver Information Center
Rear seat reminder with notification in Driver Information Center
Power windows with express-down
Single-zone manual climate control
Front buckets with reclining seatbacks and adjustable head restraints and rear seat with 60/40 split-folding seatback

MALIBU L (CONTINUED)

Rear-window defogger
Front and rear carpeted floor mats
MALIBU LS In addition to or replacing L features, LS includes:
16" aluminum wheels
Acoustic-laminated windshield
Rear vision camera
Chevrolet MyLink ⁵ Radio with 7-inch diagonal color touch-screen display
Teen Driver technology
Bluetooth audio streaming ⁴ for music and select phones
Android Auto [™] and Apple CarPlay [™] compatibility ⁶
OnStar 4G LTE and built-in Wi-Fi [®] hotspot for up to seven devices ⁷ ; includes data trial for 3 months or 3 GB (whichever comes first)
USB port ⁸
Compass and outside temperature displays
Visor vanity mirrors for driver and front passenger

MALIBU LT

 In addition to or replacing LS features, LT includes:

LED daytime running lamps
Outside heated power-adjustable body-color mirrors with integrated turn signal indicators
Body-color antenna
17" aluminum wheels
SiriusXM Satellite Radio ⁹ All Access Package with 3-month trial subscription
Ambient lighting on instrument panel, front door pads and map pockets, and door handles on all doors
8-way power driver seat with power lumbar control
Illuminated visor vanity mirrors for driver and front passenger
Driver window with express-up/-down

MALIBU HYBRID

 In addition to or replacing LT features, Hybrid includes:

1.8L engine with Hybrid electric propulsion system
Hybrid-specific instrument cluster
Dual-zone automatic climate control

MALIBU PREMIER

 In addition to or replacing LT features, Premier includes:

2.0L turbocharged 4-cylinder engine with Direct Injection
9-speed automatic transmission with overdrive
Chrome door handles with body-color inserts
LED taillamps
Dual-outlet exhaust with polished tips
18" aluminum wheels
Bright sill plates
Remote vehicle starter system
Chevrolet MyLink ⁵ Radio with Navigation and 8-inch diagonal color touch-screen display
Bose [®] 9-speaker premium audio system
Color Driver Information Center
Dual-zone automatic climate control
120-volt power outlet on rear of center console
Dual charge-only USB ports ⁹ on rear of center console
Wireless charging ¹⁰
Inside auto-dimming rearview mirror
Memory function for driver seat and outside mirrors
Heated and ventilated driver and front passenger seats
6-way power front passenger seat with power lumbar control
Perforated leather-appointed seating
Leather-wrapped steering wheel and shift knob
Heated steering wheel
Trunk mat

¹ A NOTE ON CHILD SAFETY: Always use safety belts and the correct child restraint for your child's age and size, even with air bags. Even in vehicles equipped with the Passenger Sensing System, children are safer when properly secured in a rear seat in the appropriate infant, child or booster seat. Never place a rear-facing infant restraint in the front seat of any vehicle equipped with an active frontal air bag. See the Owner's Manual and the child safety seat instructions for more safety information.

² Visit onstar.com for coverage map, details and system limitations. OnStar acts as a link to existing emergency service providers. ³ Excludes spare tire. ⁴ Go to my.chevrolet.com/learn to find out which phones are compatible with the vehicle.

⁵ MyLink functionality varies by model. Full functionality requires compatible Bluetooth and smartphone, and USB connectivity for some devices. Map coverage available in the United States, Puerto Rico and Canada. MyLink on Malibu does not include CD player. ⁶ Vehicle user interfaces are products of Apple and Google and their terms and privacy statements apply. Requires compatible smartphone and data plan rates apply. ⁷ Requires a compatible mobile device, active OnStar service and data plan. 4G LTE service available in select markets. Visit onstar.com for coverage map, details and system limitations. Data plans provided by AT&T. ⁸ Not compatible with all devices. ⁹ If you decide to continue service after your trial, the subscription plan you choose will automatically renew thereafter and you will be charged according to your chosen payment method at then-current rates. Fees and taxes apply. To cancel you must call SiriusXM at 1-866-635-2349. See SiriusXM Customer Agreement for complete terms at siriusxm.com. All fees and programming subject to change. For more information about NavTraffic, visit siriusxm.com/navtraffic. For more information about Travel Link, visit siriusxm.com/travellink. ¹⁰ The system wirelessly charges one PMA- or Qi-compatible mobile device. Some devices require an adaptor or back cover. To check for phone or other device compatibility, visit my.chevrolet.com/learn for details.

SPECIFICATIONS

● STANDARD ○ AVAILABLE – NOT AVAILABLE

	L	LS	LT	HYBRID	PREMIER
EXTERIOR					
Antenna: Black	●	●	–	–	–
Body-color	–	–	●	●	●
ENGINE/CHASSIS					
Engine: 1.5L turbocharged DOHC 4-cylinder with Direct Injection, Variable Valve Timing and stop/start technology; 163 hp @ 5700 rpm, 184 lb.-ft. of torque @ 2500–3000 rpm	●	●	●	–	–
2.0L turbocharged DOHC 4-cylinder with Direct Injection and Variable Valve Timing; 250 hp @ 5300 rpm, 260 lb.-ft. of torque @ 2000–5000 rpm	–	–	–	–	●
1.8L with Hybrid Propulsion System	–	–	–	●	–
Transmission: 6-speed automatic with overdrive	●	●	●	–	–
9-speed automatic with overdrive	–	–	–	–	●
2-motor Hybrid electric drive unit	–	–	–	●	–
SAFETY & SECURITY					
10 air bags: ¹ Dual-stage frontal, thorax side-impact and knee for driver and front passenger (includes Passenger Sensing System); thorax side-impact for rear outboard seating positions; head-curtain side-impact for front and rear outboard seating positions	●	●	●	●	●
Brakes: 4-wheel antilock, 4-wheel disc; Duralife brake rotors with corrosion-resistant technology	●	●	●	●	●
Teen Driver technology	–	●	●	●	●
INTERIOR					
Assist handles: Front passenger	●	●	●	●	●
Climate control: Single-zone, manual	●	●	●	–	–
Dual-zone, automatic	–	–	–	●	●

	L	LS	LT	HYBRID	PREMIER
INTERIOR (CONTINUED)					
Driver Information Center (DIC): Monochromatic display	●	●	●	●	–
High-resolution color display; includes trip/fuel information, vehicle information and vehicle settings	–	–	○ ²	○ ²	●
Power outlet: Auxiliary, integrated in center stack	●	●	●	●	●
Shift knob: Leather-wrapped	–	–	○ ³	○ ²	●
Steering wheel: Leather-wrapped 3-spoke with mounted controls for audio and cruise	–	–	○ ³	○ ²	●
Sunroof: Power, tilt/sliding with express-open feature, sunshade and additional fixed skylight	–	–	○ ⁴	○ ⁵	○ ⁵
SEATING					
Seats: Premium Cloth	●	●	●	●	–
Leather-appointed	–	–	○ ⁷	○ ⁷	–
Perforated leather-appointed	–	–	–	–	●
Seat adjuster: Driver 8-way power, with lumbar control	–	–	●	●	●
Passenger 6-way power, with lumbar control	–	–	○ ⁷	○ ⁷	●
Heated front seats	–	–	○ ⁷	○ ⁷	●
Ventilated front seats	–	–	–	–	●
ENTERTAINMENT					
AM/FM stereo	●	–	–	–	–
Chevrolet MyLink Radio ⁸ with 7-inch diagonal color touch-screen display, AM/FM stereo, Bluetooth [®] audio streaming ⁹ for select phones, and Android Auto [™] and Apple CarPlay [™] compatibility ¹⁰	–	●	●	●	–
Chevrolet MyLink Radio ⁸ with 8-inch diagonal color touch-screen display, AM/FM stereo, Bluetooth audio streaming ⁹ for select phones, voice-activated technology, and Android Auto and Apple CarPlay compatibility; ¹⁰ now includes the ability to browse, select and install apps on the MyLink system with Shop ¹¹	–	–	○ ²	○ ²	–

	L	LS	LT	HYBRID	PREMIER
ENTERTAINMENT (CONTINUED)					
Chevrolet MyLink ⁸ Radio with Navigation and 8-inch diagonal color touch-screen display, includes Chevrolet MyLink Radio features plus enhanced navigation and SiriusXM NavTraffic ¹² with 3-month trial subscription	–	–	○ ⁷	○ ¹³	●
SiriusXM Satellite Radio ¹² All Access Package with 3-month trial subscription	–	–	●	●	●
OnStar Basic Plan ¹⁴ for five years includes select features of the myChevrolet Mobile App ¹⁵ including remote start (if properly equipped), door lock or unlock, honk your horn and flash your lights, and send destinations to your Chevrolet MyLink ⁸ navigation screen (if equipped). Limited OnStar services include Advanced Diagnostics and Dealer Maintenance Notification	●	●	●	●	●
OnStar 4G LTE and built-in Wi-Fi hotspot for up to seven devices; ¹⁶ includes data trial for 3 months or 3 GB (whichever comes first)	–	●	●	●	●
USB port ¹⁷	–	●	●	●	●
Charge-only, on rear of center console	–	–	○ ²	○ ²	●
WHEELS					
16" steel with painted wheel covers	●	–	–	–	–
16" aluminum	–	●	–	–	–
17" aluminum	–	–	●	●	–
18" aluminum	–	–	○ ¹⁸	–	–
18" aluminum	–	–	–	–	●
19" aluminum	–	–	–	–	○ ¹⁹

1 A NOTE ON CHILD SAFETY: Always use safety belts and the correct child restraint for your child's age and size, even with air bags. Even in vehicles equipped with the Passenger Sensing System, children are safer when properly secured in a rear seat in the appropriate infant, child or booster seat. Never place a rear-facing infant restraint in the front seat of any vehicle equipped with an active frontal air bag. See the Owner's Manual and the child safety seat instructions for more safety information. **2** Requires available Convenience and Technology Package. **3** Requires available Convenience and Technology Package or Sport Package. **4** Requires available Convenience and Technology Package or Sun and Wheels Package. **5** Requires available Chevrolet MyLink Radio with Navigation, Convenience and Technology Package, Leather Package and Driver Confidence Package. **6** Includes premium front and rear floor mats. **7** Requires available Leather Package. **8** MyLink functionality varies by model. Full functionality requires compatible Bluetooth and smartphone, and USB connectivity for some devices. Map coverage available in the United States, Puerto Rico and Canada. MyLink on Malibu does not include CD player. **9** Go to my.chevrolet.com/learn to find out which phones are compatible with the vehicle. **10** Vehicle user interfaces are products of Apple and Google and their terms and privacy statements apply. Requires compatible smartphone and data plan rates apply. **11** Visit chevrolet.com for details about Shop. **12** If you decide to continue service after your trial, the subscription plan you choose will automatically renew thereafter and you will be charged according to your chosen payment method at then-current rates. Fees and taxes apply. To cancel you must call SiriusXM at 1-866-635-2349. See SiriusXM Customer Agreement for complete terms at siriusxm.com. All fees and programming subject to change. For more information about NavTraffic, visit siriusxm.com/navtraffic. For more information about Travel Link, visit siriusxm.com/travelink. **13** Requires available Convenience and Technology Package, Leather Package or Driver Confidence Package. **14** Does not include emergency or security services. Visit onstar.com for coverage map, details and system limitations. **15** Requires data plan, compatible vehicle and compatible device. Some features require factory-installed remote start, power locks, Tire Pressure Monitoring System or active OnStar service. **16** Requires a compatible mobile device, active OnStar service and data plan. 4G LTE service available in select markets. Visit onstar.com for coverage map, details and system limitations. Data plans provided by AT&T. **17** Not compatible with all devices. **18** Requires available Sun and Wheels Package or Sport Package. **19** Requires available Premier Sun and Wheel Package.

SPECIFICATIONS (CONTINUED)

● STANDARD ○ AVAILABLE – NOT AVAILABLE

	L	LS	LT	HYBRID	PREMIER
PACKAGES					
Convenience and Technology Package: Remote vehicle starter system, inside rearview auto-dimming mirror, 120-volt power outlet, color Driver Information Center, Chevrolet MyLink ¹ Radio with 8-inch diagonal color touch-screen display, wireless charging ² ; dual charge-only USB ports ³ on rear of center console, leather-wrapped steering wheel and leather-wrapped shift knob	–	–	○	○ ⁴	–
Driver Confidence Package: Low Speed Forward Automatic Braking, Front Pedestrian Braking, IntelliBeam high beam assist, Front and Rear Park Assist, Side Blind Zone Alert with Lane Change Alert, Lane Keep Assist, Following Distance Indicator, Forward Collision Alert and Rear Cross Traffic Alert	–	–	○ ⁵	○ ⁵	○
Driver Confidence Package II: Adaptive Cruise Control, Forward Automatic Braking, Semi-Automatic Parking Assist and electronic parking brake	–	–	–	–	○ ⁶
Leather Package: Leather-appointed heated driver and front passenger seats, 6-way power-adjustable front passenger seat with power lumbar control and Bose [®] 9-speaker premium audio system	–	–	○ ⁵	○ ⁷	–
Sun and Wheels Package: Power sunroof, Universal Home Remote and 18" aluminum wheels	–	–	○ ⁸	–	–
Sport Package: Leather-wrapped shifter and steering wheel, rear spoiler, and 18" aluminum wheels	–	–	○ ⁹	–	–
Premier Sun and Wheel Package: Power sunroof, Universal Home Remote, premium front and rear floor mats, and 19" aluminum wheels	–	–	–	–	○

¹ MyLink functionality varies by model. Full functionality requires compatible Bluetooth and smartphone, and USB connectivity for some devices. Map coverage available in the United States, Puerto Rico and Canada. MyLink on Malibu does not include CD player. ² The system wirelessly charges one PMA- or Qi-compatible mobile device. Some devices require an adaptor or back cover. To check for phone or other device compatibility, visit my.chevrolet.com/learn for details. ³ Not compatible with all devices. ⁴ Requires available Driver Confidence Package. ⁵ Requires available Convenience and Technology Package. ⁶ Requires available Driver Confidence Package. Forward Automatic Braking replaces Low Speed Forward Automatic Braking. Semi-Automatic Parking Assist replaces Front and Rear Park Assist. ⁷ Requires available Chevrolet MyLink Radio with Navigation, Convenience and Technology Package, and Driver Confidence Package. ⁸ Requires available Leather Package. Not available with Sport Package. ⁹ Late availability. Not available with Sun and Wheels Package. Requires Blue Velvet Metallic, Silver Ice Metallic, Summit White, Mosaic Black Metallic or Cajun Red Tintcoat exterior colors.



CHEVROLET

COMPLETE CARE

Experience Chevrolet Complete Care, a comprehensive coverage, warranty and protection program that comes standard with every new 2017 Chevrolet Malibu lease and purchase. Simply, it is designed around you, to make it easy to keep your Chevrolet like new – and give you the confidence you deserve when you need it most.

YOUR COMPREHENSIVE OWNER BENEFIT PROGRAM.

Includes two maintenance visits (oil and filter changes, tire rotations and multipoint vehicle inspections)¹

5 years/60,000 miles of Roadside Assistance and Courtesy Transportation²

5-year/60,000-mile Powertrain Limited Warranty²

3-year/36,000-mile Bumper-to-Bumper Warranty²

6 years/100,000 miles of Rust-Through Protection²

5 years of OnStar Basic Plan³ including select features of the myChevrolet Mobile App⁴

3 months of OnStar Guidance Plan⁵

DIMENSIONS

Width	73.0"
Front Track	62.6"
Rear Track	62.5"

Length	193.8"
Wheelbase	111.4"
Height	57.6"

MAXIMUM CAPACITIES

EPA-ESTIMATED FUEL ECONOMY

1.5L Turbo	27 MPG city/36 highway/30 combined
2.0L Turbo	22 MPG city/33 highway/26 combined
1.8L Hybrid	49 MPG city/43 highway/46 combined

FUEL TANK (APPROXIMATE) 13 gallons (L, LS, LT and Hybrid)
15.8 gallons (Premier)

PASSENGER VOLUME 102.5 cubic feet/seats 5

CARGO VOLUME⁶ 15.8 cubic feet (L, LS, LT and Premier)
11.6 cubic feet (Hybrid)

OWNERSHIP EXTRAS

CHEVROLET



CHEVROLET.COM/WARRANTY

CHEVROLET



CHEVROLET.COM/ACCESSORIES



ONSTAR.COM

SIRIUSXM

SIRIUSXM.COM

NEW VEHICLE LIMITED WARRANTY

5-YEAR/60,000-MILE TRANSFERABLE POWERTRAIN LIMITED WARRANTY Every 2017 Chevrolet Malibu comes with a 5-year/60,000-mile (whichever comes first) transferable Powertrain Limited Warranty. 24/7 Roadside Assistance and Courtesy Transportation are also offered for the duration of the Powertrain Limited Warranty. Please see your Chevrolet dealer for details.

3-YEAR/36,000-MILE BUMPER-TO-BUMPER LIMITED WARRANTY Chevrolet will warrant each 2017 Malibu from bumper to bumper for 3 years/36,000 miles (whichever comes first; see dealer for details), with no deductible, from the original in-service date of the vehicle, for warrantable repairs that are required as a result of defects due to materials and/or workmanship. Cosmetic corrosion resulting from defects is also covered under the Bumper-to-Bumper Limited Warranty. In addition, rust-through corrosion will be covered for 6 years/100,000 miles (whichever comes first). See dealer for details.

HYBRID WARRANTY In addition to the Bumper-to-Bumper coverage, General Motors will warrant certain Hybrid components for 8 years or 100,000 miles, whichever comes first, from the original in-service date of the vehicle against warrantable repairs to the specific Hybrid components of the vehicle. For Hybrid owners requiring more comprehensive coverage than that provided under this Hybrid warranty, a GM Protection Plan may be available. See your Chevrolet dealer for more details.

¹ Maintenance visits must occur within two years or 24,000 miles of vehicle delivery, whichever comes first. Does not include air filters. See participating dealer for other restrictions and complete details. ² Whichever comes first. See dealer for details. ³ Does not include emergency or security services. Visit onstar.com for coverage map, details and system limitations. ⁴ Requires data plan, compatible vehicle and compatible device. Some features require factory-installed remote start, power locks, Tire Pressure Monitoring System or active OnStar service. ⁵ Visit onstar.com for coverage map, details and system limitations. ⁶ Cargo and load capacity limited by weight and distribution.

IMPORTANT INFORMATION

CHEVROLET OWNER CENTER (MY.CHEVROLET.COM) Everything you need to know. Anything you need to do. Your Chevrolet Owner Center makes it easy. Create your account today to get the most out of your new vehicle. Get special alerts and offers, schedule service, review your maintenance schedule, and view how-to videos specifically for your vehicle. All online, anytime. Visit the Owner Center today to register or take a tour.

ENGINES Chevrolet products are equipped with engines produced by GM Powertrain or other suppliers to GM worldwide. The engines in Chevrolet products may also be used in other GM makes and models.

ASSEMBLY Chevrolet vehicles and their components are assembled or produced by different operating units of General Motors, its subsidiaries or suppliers to GM worldwide. We sometimes find it necessary to produce Chevrolet vehicles with different or differently sourced components than originally scheduled. Since some options may be unavailable when your vehicle is assembled, we suggest you verify that your vehicle includes the equipment you ordered and that, if there were changes, they are acceptable to you.

ONSTAR OnStar services require vehicle electrical system (including battery), wireless service and GPS satellite signals to be available and operating for features to function properly. OnStar acts as a link to existing emergency service providers. Subscription Service Agreement required. Call 1.888.4ONSTAR (1-888-466-7827) or visit onstar.com for OnStar Terms and Conditions, Privacy Policy, details and system limitations.

A NOTE ON CHILD SAFETY Always use safety belts and the correct child restraint for your child's age and size, even with air bags. Even in vehicles equipped with the Passenger Sensing System, children are safer when properly secured in a rear seat in the appropriate infant, child or booster seat. Never place a rear-facing infant restraint in the front seat of any vehicle equipped with an active frontal air bag. See the Owner's Manual and the child safety seat instructions for more safety information.

IMPORTANT WORDS ABOUT THIS CATALOG We have tried to make this catalog comprehensive and factual. We reserve the right, however, to make changes at any time, without notice, in prices, colors, materials, equipment, specifications, models and availability. Specifications, dimensions, measurements, ratings and other numbers in this catalog

and other printed materials provided at the dealership or affixed to vehicles are approximations based on design and engineering drawings, prototypes and laboratory tests. Your vehicle may differ due to variations in manufacture and equipment. Since some information may have been updated since the time of printing, please check with your Chevrolet dealer for complete details. Chevrolet reserves the right to lengthen or shorten the model year for any product for any reason or to start and end model years at different times. Certain vehicle features may lose their usefulness over time due to obsolescence from technological changes. Unless otherwise noted, all claims based on GM Mid-Car Sedan segment and latest available competitive information. Excludes other GM vehicles.

FLEET ORDERS Some standard content may be deleted on fleet orders. See dealer for details.

CHEVROLET OWNERSHIP EXPERIENCE Chevrolet is committed to enhancing the vehicle shopping and ownership experience through a wide array of programs. Visit chevrolet.com to build and price, find a vehicle, request a quote, compare vehicles, find financial tools or track your vehicle order. You'll also find information about 24-hour Roadside Assistance, Courtesy Transportation, Customer Assistance, GM Mobility, safety and current incentives.

CHEVROLET.COM/SAFETY Chevrolet is committed to keeping you and your family safe – from the start of your journey to your destination. That's why every Chevrolet is designed with a comprehensive list of safety and security features to help give you peace of mind.

GMMOBILITY.COM (1-800-323-9935) GM MobilitySM offers financial assistance for eligible adaptive equipment to make automotive travel easier for persons with disabilities or special transportation needs. To learn more about special GM Mobility offers, visit gmmobility.com.

THE BUYPOWER CARD The Chevrolet BuyPower Card – Every purchase you make with the BuyPower Card from Capital One* helps you earn toward an eligible new Chevrolet, Buick, GMC or Cadillac vehicle. There's no limit on the amount you can earn or redeem, and your Earnings don't expire. Visit chevroletbuypowercard.com/catalogs.

* Capital One, N.A. is the issuer of the BuyPower Card. General Motors ("GM") is responsible for the operation and administration of the Earnings program.



TWITTER.COM/CHEVROLET



YOUTUBE.COM/CHEVROLET



FACEBOOK.COM/CHEVROLET

GM, the GM logo, Chevrolet, the Chevrolet logo, and the slogans, emblems, vehicle model names, vehicle body designs and other marks appearing in this catalog are the trademarks and/or service marks of General Motors, its subsidiaries, affiliates or licensors. ©2016 OnStar. All rights reserved. Sirius, XM, SiriusXM and all related marks and logos are trademarks of Sirius XM Radio Inc. The Bluetooth word mark is a registered trademark owned by Bluetooth SIG, Inc., and any use of such mark by Chevrolet is under license. Bose is a registered trademark of the Bose Corp. Apple CarPlay is a trademark of Apple Inc. iPhone is a trademark of Apple Inc., registered in the U.S. and other countries. The Android name, the Android logo, and other trademarks are property of Google Inc. Google is a trademark of Google Inc.

©2016 General Motors. All rights reserved. September 2016



FIND NEW ROADS™

CHEVROLET.COM