

GREMLIN 1970

American
Motors



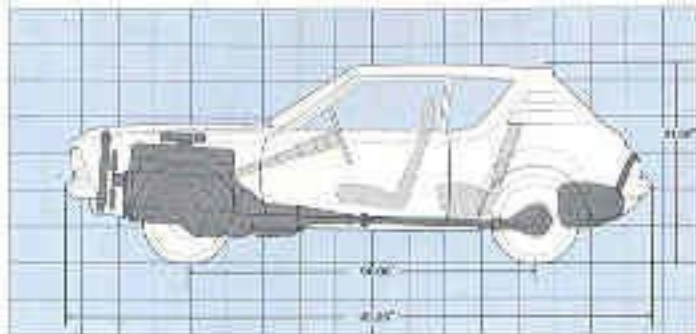
The 1970 Granlin is out to prove that a sub-compact car can be as personally luxurious as it is efficient. Among the many optional features offered are: bucket seats, air conditioning,

tinted glass, automatic transmission, electric windshield washers and wipers, AM radio, remote control outside mirror, power steering, power brakes and more. For a complete list of

standard and optional features, see the back cover of this brochure.



Engine	Displacement	H.P. @ 1,750 R.P.M.	Torque @ 1,750 R.P.M.	Top Speed (M.P.H.)	0-60 (Sec.)	Transmission	Auto. Ratio
189 CID V6 (7 Cylinders 300)	189	111 @ 1,750	152 @ 1,300	85 (170)	8.9 (4.5) 0-60	3-Speed Manual or Column (Std.) Shift-Command Automatic or Column (Opt.)	2.73 (3.59 Opt.) 2.73 (3.59 Opt.)
232 CID V6 (7 Cylinders 300)	232	141 @ 1,750	215 @ 1,300	85 (170)	8.5 (4.5) 0-60	3-Speed Manual or Floor (Std.) 3-Speed and Automatic or Column (Opt.) Shift-Command Automatic w/ A/C Column (Opt.)	3.48 (3.51 Opt.) 3.57 (3.73 Opt.) 2.73 (3.59 Opt.)



Specifications

Dimensions—Overall—Size

- Length: 161.5 inches
- Width: 70.5 inches
- Height: 51.56 inches (22.6 inches opt. 1.95)
- Cur. Weight: 2025 lbs. (3,000 lbs.)

Chassis

- Wheelbase: 106.5 inches
- Rear Track: 57.45 inches
- Rear Wheel: 52.05 inches
- Brake Diameter (Front Wheel): 11.5 inches (15.5 in. opt.)
- Turning Diameter: 32.7 feet
- Front Suspension: Coil Springs, Independent, Twisted Jaws
- Rear Suspension: Multilink Leaf, Bend-Over

Interior

- Headroom, Front Seat: 37.3 inches/36.4 inches
- Legroom, Front Seat: 40.1 inches/39.5 inches
- Shoulder Room, Front/Driver: 14.5 inches/14.0 inches
- Trunk Room, Rear: 24.0 inches/23.0 inches
- Storage Capacity: 4 Pass. Model: 100 lbs. (100 lbs. opt. Spare-Saver Spare)
- Seating: 2-4 Pass. Model

Performance (189 CID Std. Engine)

- Fuel Economy: 21 M.P.G. Avg. (Approx.) (Imp. Gal./100 Miles)
- 0-60 M.P.H. Acceleration: 11.2 Sec. (Manual), 15.5-20.0 (Auto)
- Max. M.P.H. Acceleration: 85.7 M.P.H. (94 M.P.H. Manual), 89.7 M.P.H. (96 M.P.H. Automatic)
- Top Speed: 95 M.P.H.

Capacities

- Gas Tank: 2 Gallons
- Engine Oil (with filter): 8 Quarts
- Engine Cooling (with heater): 10.5 Quarts
- Max. Coolant Capacity: 13.5 Quarts (15.0 Gal.)
- Automatic Trans. Fluid: 8.5 Quarts
- Power Aids: 2.0 Quarts

Standard Features:

- 6.95 x 14 Polyester-pod tires, whitewall
- Vinyl floor, hot spare tire
- Rubber floor mats, car mats, window tint, interior trim
- Weather-Eye mirrors and cabliner
- Counter-top, inside storage (1 passenger model)
- Exhaust shield or trunk system
- Oil-cool steering pump
- Suspension pads (pneum. clutch pad acceleration)
- Variable-speed windshield wipers
- Long wheelbase, easily cleaned vinyl upholstery

- Engine coolant fan (any wiring system)
- Asbestos-free pads
- Drop-Downdoor (all models)
- Input-shaft, ball-bearing sealed shaft (30 and 40)
- Door lock (floor fully-imped. optional)
- Alarm (optional, self-protection)
- 12-amp "Clear Power" battery (70-cc. Std.)
- 35 amp. alternator (Std. with self-adjusting)
- Side-impact protection on the sides
- One year or 50,000 mi. warranty
- Auto. Release (5.00 M.P.H. or 2.00 M.P.H.)
- Remote-charge accessories

Self-Command Features:

- Seat belts
- Taxi-Ford Brakette Belt
- Two-Point Shoulder Belt Anchors
- Taxi-Ford Hinge Padlocks
- 4-Way-tilted Warning Signals
- Lock Clutch (1.75-Std.)
- Automatic Bank-Dr. Lights
- Side-Cur. Safety Markers
- Std. 3-0-5 Headlights
- Inside Rear-View Mirror with Twin Bend-Over Mirrors
- Left Side Rear-View Mirror
- Wagon and Van (Std. Model)
- New-Style Woodgrain Wood
- Wood-Grain Dash (Std. Model)
- Single-Unit Body Construction
- Energy-Absorbing Steering Column
- Drop-Downdoor (all models)
- High-Strength Windshield Glass
- Intercept Side-Imp. Rear Glass
- Molded Ducting Heater
- Angled Dvr. Vision
- Angled Instrument Panel
- Rubber Armrest
- New-Style Front Air-Grille Panel
- Double-Safety Brake Pedal
- Brake System Warning Light
- Self-Adjusting Brake Springs
- Mechanical Stop-Light Switch

- Clutch or Disc-Start Brake Lines
- Safety-Belt W-Webb
- Low-Load-Wear Indicator
- Anti-Lift (optional, Steering and Transmission Lock with Warning Buzzer)
- High-Through Door Locks
- Safety-Snap-on Door Handles
- Safety-Snap-on Central Lock
- Safety-Covered Instrument Panel
- Front Seat Back Lock
- Dual-Air-on Road Latch
- Positive-Clutchrate Vibration
- Exhaust-Pre-warm Control

Options

Power and Performance:

- Variable-Speed power steering
- Power Sluiter
- Two-Door 3-Speed
- Handling package (cross-duty springs and shocks, plus front sway bar)
- Heavy-duty suspension (special model, 1.50 per inch wheel)

Comfort and Convenience:

- Interior accessories (dash, cigarette tray, cigarette lighter, dual glove box, floor, lock, light)
- Visibility group (mirrors, center mirror, gas pedal mirror, 12-inch day/night, chrome mirrors, electric window, side wipers and wipers)
- Air conditioning system (3074 x 14, fiberglass to the floor, 55-amp. alternator, 1000-hp. engine cooling, passenger tray, high-wind panel)
- Air conditioning (optional, air conditioning system and power steering and front wheel)
- Light group (two-dial lights, park brake light, head light-on buzzer, low-dial night-door light switch)
- Electric windshield wipers and wipers
- Drive-AM post radio
- Tinted glass (all windows or windshield only)
- Four-head lamp
- Number guards, front and rear

- 12-amp "Clear Power" battery
- Cold-start package (70-amp. battery and 55-amp. alternator)
- Engine block heater
- Insulation group (exhausting and hood insulation)

Appearance and Trim:

- Body stripes in black, white or red
- Decorative exterior trim package (optional disc, wheel caps, 1.50 and 2.00 air conditioning)
- Custom interior trim package (custom padded vinyl upholstery, 1.50 or 2.00, custom steering wheel)
- Custom steering wheel
- Bucket seats or padded vinyl (available with custom interior trim)
- Wheel discs
- Anti-rust side molding (with hood)

Miscellaneous:

- 15.00 x 13 Polyester-pod tires, whitewall
- 15.45 x 14 Polyester-pod tires, blackwall
- 1.50 x 14 Polyester-pod tires, whitewall (standard with air conditioning or whitewall)
- Clear-vinyl protective seat-mat front
- Four-Tank Vapor Control System (required for California state)
- Space-Saver Spare (inflatable spare, available with 1.50 or 2.00 option)
- Locking gas cap

Equipment and power features illustrated or described in this brochure are optional at extra cost unless otherwise specified. Custom equipment items may not be available for all models. American Motors, whose policy is one of continuous improvement, reserves the right to discontinue or change specifications, models, equipment or prices at any time without incurring obligation.



American Motors