

2008 BMW
Z4 M Roadster
Z4 M Coupe



The Ultimate
Driving Machine®





Get ahead of the pack.
Then stay there.

Own every inch of pavement.
Feel how winners everywhere do.



It only stands still for parking —
and for basking in the glory.



Take your pulse for a spin.
Up to 8000 rpm.



7300 rpm

5200 rpm

5500 rpm

5900 rpm

6500 rpm

Looking good.
Feeling good-to-go.



7900 rpm

7200 rpm

6500 rpm

5900 rpm

7900 rpm

5500 rpm



7700 rpm

7900 rpm

7500 rpm

7200 rpm







6900 rpm

Handling you can feel
from head to toe.



Inside job:
fast, clean and ingenious.

Recommended color combinations

| Upholstery colors | Nappa Leather ¹ | | | | M Extended Nappa Leather ² | |
|---|--|-----------|---------------------|-------------------|---|---------------------|
| | Black | Imola Red | Sepang Bronze Light | Sepang Brown Dark | Black | Sepang Bronze Light |
| Exterior colors | | | | | | |
| 300 Alpine White ³ | ● | ● | ●◆ | | ● | ●◆ |
| 405 Imola Red ³ | ● | ● | ●◆ | | ● | ●◆ |
| 354 Titanium Silver Metallic ⁴ | ● | ●■ | | ●◆ | ● | |
| A52 Space Gray Metallic ⁴ | ● | ● | ● | ● | ● | ● |
| A32 Sepang Bronze Metallic ⁴ | ●◆ | | ●◆ | ●◆ | ●◆ | ●◆ |
| A30 Interlagos Blue Metallic ⁴ | ● | | ●◆ | ●◆ | ● | ●◆ |
| A35 Monaco Blue Metallic ⁴ | ● | | ●◆ | ●◆ | ● | ●◆ |
| 416 Carbon Black Metallic ⁴ | ●◆ | ● | ●◆ | ●◆ | ●◆ | ●◆ |
| 475 Black Sapphire Metallic ⁴ | ● | ● | ●◆ | ●◆ | ● | ●◆ |
| Interior trims | | | | | | |
| 4AD Brushed Light Aluminum ⁵ |  | | | |  | |
| 4ME Madeira Wood ⁶ |  | | | |  | |
| 4MY Carbon Leather ⁷ |  | | | |  | |

¹ Nappa Leather: Standard.

² M Extended Nappa Leather: Optional.

Z4 M Roadster includes leather-covered door panels, tops of windshield pillars, sun visors, rollover bars and sides of center console.

Z4 M Coupe includes leather-covered door panels, tops of windshield pillars, sun visors and sides of center console.

Not available with Imola Red or Sepang Brown Dark leather upholstery.

³ Non-metallic exterior paint: Standard.

⁴ Metallic exterior paint: Optional.

⁵ Brushed Light Aluminum interior trim: Standard.

⁶ Madeira Wood interior trim: Optional.

⁷ Carbon Leather interior trim: No-cost option.

Z4 M Roadster softtop colors

● **388** Black (standard)

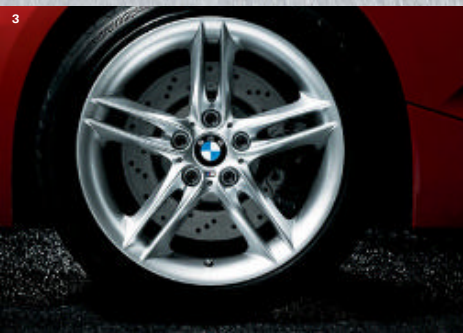
■ **389** Gray (no-cost option)

◆ **394** Dark Beige (no-cost option)



M-style design doesn't have to shout to be heard.

1. Door-sill trim with M logo. 2. Information display with white-illuminated surrounds on the speedometer and tachometer, and instrument needles illuminated in red. 3. 18" M Double Spoke (Style 224) light alloy wheels. 4. Dual twin chromed stainless steel exhaust tips. 5. Illuminated gearshift with M logo. 6. Three-spoke leather-wrapped multi-function M sport steering wheel.



| Performance and efficiency | Z4 M Roadster | Z4 M Coupe |
|--|----------------------|-------------------|
| 3.2-liter dual overhead cam (DOHC), 24-valve inline 6-cylinder engine with Double-VANOS steplessly variable valve timing | ● | ● |
| 6 individual throttles, electronically controlled (drive-by-wire), with M Dynamic Driving Control (throttle control) | ● | ● |
| Digital Motor Electronics (DME) with on-board diagnostics | ● | ● |
| 6-speed manual transmission with heavy-duty clutch | ● | ● |

| Handling and braking | Z4 M Roadster | Z4 M Coupe |
|--|----------------------|-------------------|
| Dynamic Stability Control (DSC) | ● | ● |
| High-rigidity roadster body/chassis unit with aluminum hood | ● | ● |
| Strut-type front suspension with forged-aluminum lower arms and hydraulic cushions | ● | ● |
| Central Link rear suspension with cast-aluminum upper transverse links | ● | ● |
| Acoustically decoupled final drive with hydraulic rear mount | ● | ● |
| Rack-and-pinion hydraulic power steering | ● | ● |
| 4-wheel anti-lock disc brakes (ABS), ventilated front and rear, vacuum-assisted | ● | ● |
| Front and rear anti-roll (stabilizer) bars | ● | ● |
| Twin-tube gas-pressure shock absorbers | ● | ● |

| Instrumentation and controls | Z4 M Roadster | Z4 M Coupe |
|---|----------------------|-------------------|
| Electronic analog instrumentation | ● | ● |
| LCD main and trip odometers | ● | ● |
| Service Interval Indicator with miles-to-service readout | ● | ● |
| 4-function on-board computer | ● | ● |
| Power windows with "one-touch" push-pull open/close for driver | ● | ● |
| Automatic climate control with active charcoal micro-filter ventilation and automatic recirculation control | ● | ● |
| Tire Pressure Monitor | ● | ● |
| BMW Navigation system | ○ | ○ |

- = Standard
- = Optional
- ◇ = Included in Premium Package
- △ = BMW center-installed Accessory

| Exterior and aerodynamics | Z4 M Roadster | Z4 M Coupe |
|--|---------------|------------|
| 18x8.0 front/18x9.0 rear M Double Spoke (Style 224M) light alloy wheels and 225/45R-18 front, 255/40R-18 rear performance tires ¹ | ● | ● |
| M Mobility System (includes lifetime BMW Roadside Assistance for tire assistance) | ● | ● |
| Xenon headlights with auto-leveling | ● | ● |
| Heated windshield-washer jets | ● | ● |
| Heated outside mirrors | ● | ● |
| Headlight washers | ● | ● |
| Fully automatic power softtop | ● | |
| Heated glass rear window | ● | ● |
| Twin dual M exhaust tips | ● | ● |
| Metallic paint | ○ | ○ |

| Comfort and convenience | Z4 M Roadster | Z4 M Coupe |
|--|---------------|------------|
| Remote entry with multi-function remote control, including remote trunk or hatchback release | ● | ● |
| Courtesy lights with fade-in/fade-out feature, and actuation from remote control | ● | ● |
| Glove compartment; storage space in door panels and behind seats | ● | ● |
| Dual power outside mirrors | ● | ● |
| M Sport seats with pronounced side bolsters for lateral support | ● | ● |
| Three-spoke leather-covered multi-function M sport steering wheel | ● | ● |
| Dual cupholders | ● | ● |
| Electric interior trunk/hatchback release | ● | ● |
| Variable softtop trunk compartment | ● | |
| Cruise control | ◇ | ◇ |
| Elastic nets on passenger side of center tunnel and on back of each seat | ◇ | ◇ |
| Automatic-dimming interior and exterior mirrors | ◇ | ◇ |
| 8-way power front seats with 3-way driver's-seat memory | ○/◇ | ○/◇ |
| 3-stage, thermostatically controlled heated seats | ○ | ○ |
| Hardtop preparation (required for accessory hardtop installation) | ○ | |

¹ Performance tires not recommended for driving in snow and ice conditions. Due to low-profile tires, please note: wheels, tires and suspension parts are more susceptible to road hazard and consequential damages. Please note: Z4 M Roadster and Z4 M Coupe are not equipped with a spare tire and wheel. They include M Mobility System, which offers lifetime BMW Roadside Assistance for tire assistance.

| Audio | Z4 M Roadster | Z4 M Coupe |
|---|---------------|------------|
| Anti-theft AM/FM/CD audio system with Radio Data System and 10 speakers | ● | ● |
| THX™ Certified premium audio system with upgraded audio power, Carver technology and 10 audiophile-quality speakers, including 2 subwoofers | ◇ | ◇ |
| Pre-wiring for CD changer and alarm system | ● | ● |
| HD Radio™ – digital AM/FM broadcasts with “multicast” FM stations, and innovative data services ² | ○ | ○ |
| iPod® Interface Integrated System ³ | △ | △ |
| SIRIUS® Satellite Radio ³ | △ | △ |

| Safety and security | Z4 M Roadster | Z4 M Coupe |
|---|---------------|------------|
| Driver’s and passenger’s front airbag supplemental restraint system (SRS) with advanced technology: dual-threshold, dual-stage deployment; and front-passenger seat sensors designed to prevent unnecessary airbag deployment | ● | ● |
| Automatic safety-belt pretensioners | ● | ● |
| Isofix attachment of child-restraint safety seat | ● | ● |
| Active Knee Protection | ● | ● |
| Side-impact airbags | ● | ● |
| Rollover Protection | ● | ● |
| Battery Safety Terminal and automatic fuel-pump shutoff | ● | ● |
| BMW’s Advanced Safety System for integrated deployment of safety features | ● | ● |
| Central locking system with double-lock anti-theft feature, selective unlocking and interior locking switch | ● | ● |
| Coded Driveway Protection | ● | ● |
| Adaptive Brake Lights | ● | ● |
| Cornering Brake Control | ● | ● |
| BMW Assist™ ⁴ with Bluetooth® wireless technology for hands-free calling (with Bluetooth-enabled mobile phone), phonebook downloading and speech recognition capabilities | ○/◇ | ○/◇ |

| BMW Services | Z4 M Roadster | Z4 M Coupe |
|------------------------------------|---------------|------------|
| BMW Ultimate Service™ ⁵ | ● | ● |

- = Standard
- = Optional
- ◇ = Included in Premium Package
- △ = BMW center-installed Accessory

²HD Radio can be ordered in combination with the optional Premium Package, which includes the THX™ Certified premium audio system.

³See your authorized BMW center for details and limitations when ordering Aftersales/Accessories listed.

| Premium Package | Z4 M Roadster | Z4 M Coupe |
|---|---------------|------------|
| 8-way power front seats with 3-way driver's-seat memory | ◇ | ◇ |
| BMW Assist ³ with Bluetooth wireless technology for hands-free calling (with Bluetooth -enabled mobile phone), phonebook downloading and speech recognition capabilities | ◇ | ◇ |
| Cruise control | ◇ | ◇ |
| Elastic nets on passenger side of center tunnel and on back of each seat | ◇ | ◇ |
| Automatic-dimming interior and exterior mirrors | ◇ | ◇ |
| THX TM Certified premium audio system with upgraded audio power, Carver technology and 10 audiophile-quality speakers, including 2 subwoofers | ◇ | ◇ |

BMW and the environment.

BMW is a strong proponent of the environment and social responsibility. It is important to manage the earth's resources responsibly, and not jeopardize the needs of future generations. That is why BMW makes vehicles that minimize adverse environmental impact, from production (pollution prevention and waste minimization at the plant) through owner use (low emissions) to eventual disposal (easy drainability of all fluid-related components and easy neutralization of all pyrotechnic devices).

This effort has been recognized worldwide and, as a result, we are pleased to have received numerous environmental honors. In the U.S., for example, the Environmental Protection Agency accepted BMW's Spartanburg, SC production and manufacturing facility as a charter member of the agency's National Environmental Performance Track. Internationally, BMW AG – the parent company of both BMW of North America and BMW Manufacturing Co., Spartanburg, SC – was the first automotive company to be represented on the Dow Jones Sustainability Group Index, and has remained on the Index ever since. At BMW, we strive for high performance in everything we do.

U.S. Distributor: BMW of North America, LLC, Woodcliff Lake, NJ 07677. All illustrations and specifications contained in this brochure are based on the latest product information available at the time of printing. BMW reserves the right to make changes at any time, without notice, in colors, materials, equipment, specifications and models. BMW may, subject to legal requirements, determine the Model Year designation of its vehicles. The Model Year designation on any particular model may be longer or shorter than 12 months. Some vehicles pictured may contain non-U.S. equipment. Some models may be shown with optional equipment. While BMW NA makes diligent efforts to provide accurate information in this brochure, there is no guarantee or warranty of accuracy. Furthermore, we do not assume any liability for the accuracy or completeness of information presented. This brochure shall not be used or relied upon as a substitute for information that is available from your BMW center. Further information can be obtained from your authorized BMW center or bmwusa.com.

©2007 BMW of North America, LLC. Not to be reproduced wholly or in part without written permission of BMW NA. The BMW name, model names and logo are registered trademarks.

The **Bluetooth** word mark and logos are owned by the **Bluetooth SIG**, Inc. and any use of such marks by BMW is under license. Other trademarks and trade names are the property of their respective owners.

| Weight | | Z4 M Roadster | Z4 M Coupe |
|-------------------------------|----|----------------------|-------------------|
| Unladen weight | lb | 3197 | 3230 |
| Weight distribution (unladen) | | | |
| Front | % | 49.3 | 50.2 |
| Rear | % | 51.7 | 49.8 |

| Engine | | Z4 M Roadster | Z4 M Coupe |
|-------------------------------|-------|----------------------|-------------------|
| Cylinders/valves per cylinder | | 6/4 | 6/4 |
| Displacement | cc | 3246 | 3246 |
| Bore/stroke | inch | 3.58/3.43 | 3.58/3.43 |
| Nominal output/rpm | hp | 330/7900 | 330/7900 |
| Max torque/rpm | lb-ft | 262/4900 | 262/4900 |
| Compression ratio | :1 | 11.5 | 11.5 |

| Transmission | | Z4 M Roadster | Z4 M Coupe |
|------------------------------|----------|----------------------|-------------------|
| Standard transmission ratios | | | |
| | I/II:1 | 4.35/2.50 | 4.35/2.50 |
| | III/IV:1 | 1.67/1.23 | 1.67/1.23 |
| | V/VI/R:1 | 1.00/0.85/3.93 | 1.00/0.85/3.93 |
| Final drive ratio | :1 | 3.62 | 3.62 |

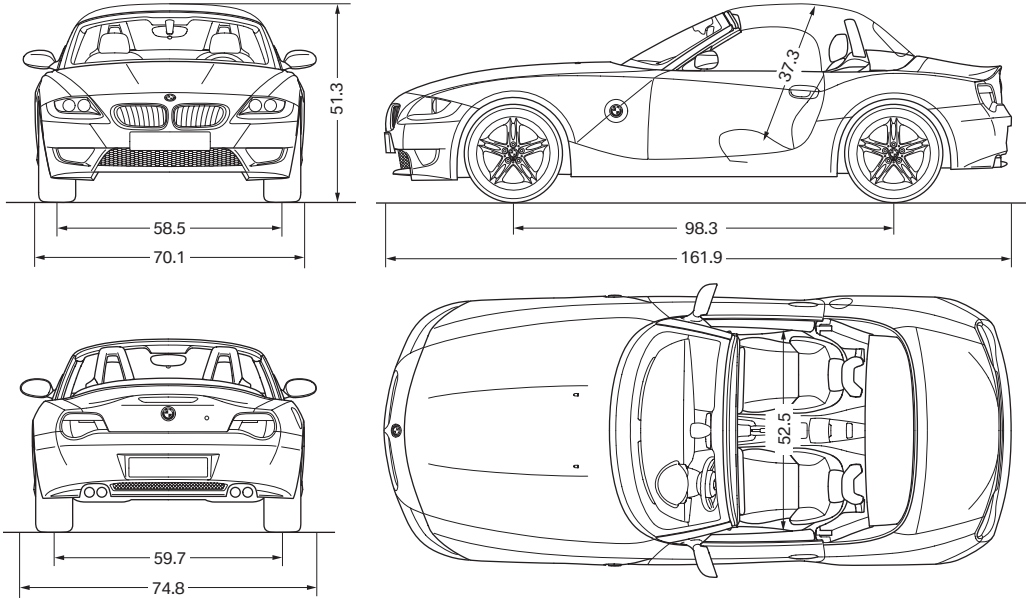
| Performance | | Z4 M Roadster | Z4 M Coupe |
|----------------------------------|-------|----------------------|-------------------|
| Drag coefficient | C_d | 0.38 | 0.35 |
| Top speed ¹ | mph | 155 | 155 |
| Acceleration 0 - 60 ² | sec | 4.9 | 4.9 |

| Fuel consumption³ | | Z4 M Roadster | Z4 M Coupe |
|-------------------------------------|-----|----------------------|-------------------|
| City | mpg | 15 | 15 |
| Highway | mpg | 22 | 22 |
| Tank capacity (approx.) | gal | 14.5 | 14.5 |

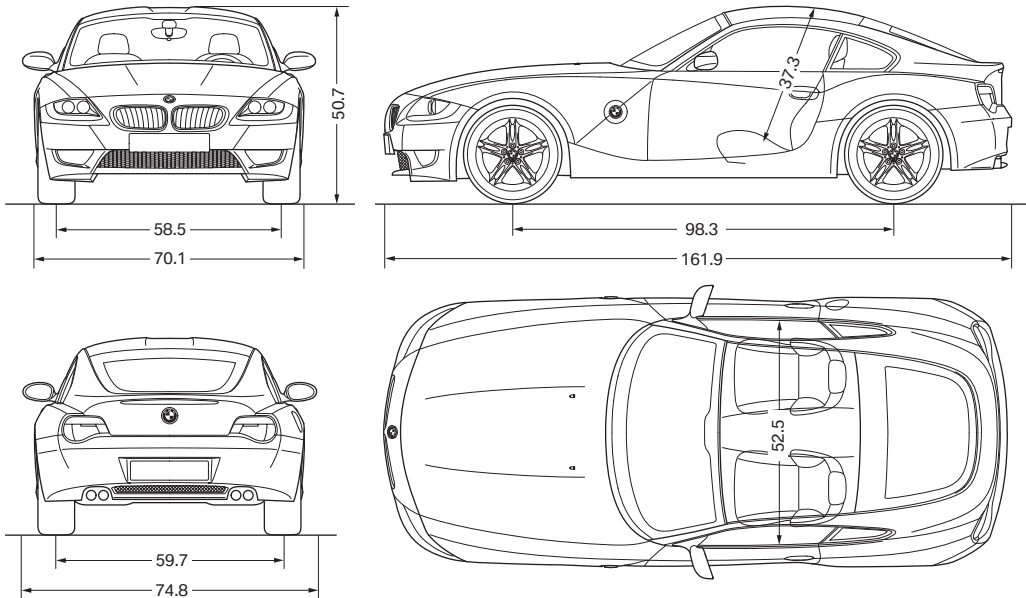
| Wheels⁴ | | Z4 M Roadster | Z4 M Coupe |
|------------------------------|-------|----------------------|-------------------|
| Tire dimensions ⁵ | | | |
| | front | 225/45 R-18 | 225/45 ZR 18 |
| | rear | 255/40 R-18 | 255/40 ZR 18 |
| Wheel dimensions | | | |
| | front | 8.0 x 18 | 8.0 x 18 |
| | rear | 9.0 x 18 | 9.0 x 18 |
| Material | | light alloy | light alloy |

| Brakes | | Z4 M Roadster | Z4 M Coupe |
|----------------|------|----------------------|-------------------|
| Front diameter | inch | 13.6 | 13.6 |
| Rear diameter | inch | 12.9 | 12.9 |

BMW Z4 M Roadster



BMW Z4 M Coupe



All dimensions shown in inches.

¹ Top speed limited electronically.

² BMW test results. Actual acceleration results may vary depending on specification of vehicle, road and environmental conditions, testing procedures and driving style. These results should be used for comparison only and verification should not be attempted on public roads. **BMW urges you to obey all posted speed laws and always wear safety belts.**

³ EPA-estimated figures are for comparison purposes only. Your actual mileage will vary, depending on speed, driving habits, trip length and driving conditions; actual mileage may be lower.

⁴ Z4 M Roadsters and Z4 M Coupes are not equipped with a spare tire and wheel.

⁵ Due to low-profile tires, please note: wheels, tires and suspension parts are more susceptible to road hazard and consequential damages. Performance tires not recommended for driving in snow and ice conditions.