

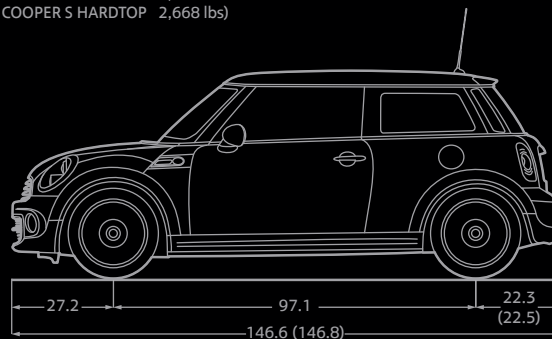


BE ORIGINAL.

MINI HARDTOP It's always good to stand out from the crowd, which is why the original MINI remains defiantly original. With its distinctive blend of go-kart handling, throaty exhaust notes and classic good looks, the MINI Hardtop delivers a motoring experience like no other car on the road.



MINI COOPER HARDTOP 2,535 lbs
 (MINI COOPER S HARDTOP 2,668 lbs)



All figures in inches.

SPECIFICATIONS

■	Naturally aspirated 1.6-liter (DOHC), 16-valve, in-line 4-cylinder aluminum-alloy engine with Valvetronic
■	Turbocharged, intercooled direct-injected, 1.6-liter (DOHC), 16-valve, in-line 4-cylinder aluminum-alloy engine with Valvetronic
■	121 HP @ 6,000 rpm, 114 lb-ft of torque @ 4,250 rpm
■	181 HP @ 5,500 rpm, 177 lb-ft of torque @ 1,600–5,000 rpm
■	0–60 MPH in 8.4 seconds
■	0–60 MPH in 6.6 seconds
■ ■	6-speed Aisin automatic transmission (optional)
■	Split fold-down rear seats for expandable cargo space
■	15" alloy wheels with all-season or performance tires
■	16" alloy wheels with all-season or performance run-flat tires
■ ■	CD audio system with AM/FM HD radio and 1-year SIRIUS® satellite radio, 6 speakers, auxiliary input-ready, optional Harman Kardon® premium sound
■ ■	Optional sport suspension
■	MINI COOPER HARDTOP
■	MINI COOPER S HARDTOP

All figures above relate to vehicles with the standard 6-speed manual transmission.

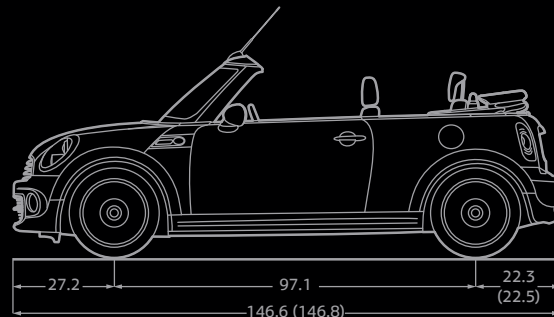
BE OPEN.

MINI CONVERTIBLE The credo of the MINI Convertible is “Always Open.” It’s a sentiment that speaks to the thrill of motoring without a roof, but also captures a uniquely MINI mindset of being open to whatever adventure might be waiting around the next hairpin curve.



The Openometer gauge on the MINI Convertible keeps track of how long you’ve had the top down. It’s a friendly reminder to help you stay Always Open.

MINI COOPER CONVERTIBLE 2,701 lbs
(MINI COOPER S CONVERTIBLE 2,811 lbs)



All figures in inches.

SPECIFICATIONS

■ ■	Fully automatic convertible top that folds down in 15 seconds
■ ■	Sunroof feature
■ ■	Heated-glass rear window
■ ■	Drop-down tailgate with easy-load feature
■	Naturally aspirated 1.6-liter (DOHC), 16-valve, in-line 4-cylinder aluminum-alloy engine with Valvetronic
■	Turbocharged, intercooled direct-injected, 1.6-liter (DOHC), 16-valve, in-line 4-cylinder aluminum-alloy engine with Valvetronic
■	121 HP @ 6,000 rpm, 114 lb-ft of torque @ 4,250 rpm
■	181 HP @ 5,500 rpm, 177 lb-ft of torque @ 1,600–5,000 rpm
■	0–60 MPH in 8.9 seconds
■	0–60 MPH in 6.8 seconds
■ ■	CD audio system with AM/FM HD radio and 1-year SIRIUS® satellite radio, 6 speakers, auxiliary input-ready, optional Harman Kardon® premium sound
■	MINI COOPER CONVERTIBLE
■	MINI COOPER S CONVERTIBLE

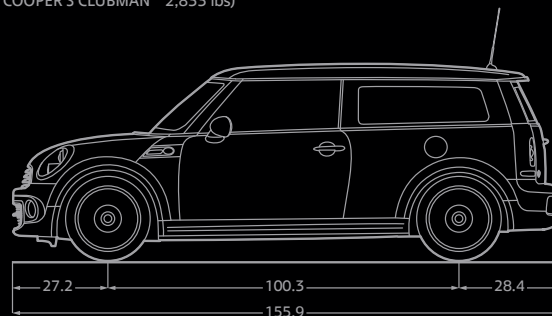
All figures above relate to vehicles with the standard 6-speed manual transmission.

BE DIFFERENT.

MINI CLUBMAN does things its own way. With two Split Rear Barn Doors, as well as the unique side Clubdoor, the MINI Clubman offers ready access to a surprisingly roomy interior. Although it may be slightly larger, the MINI Clubman remains completely MINI, from its unmistakable styling to its nimble handling.



MINI COOPER CLUBMAN 2,712 lbs
 (MINI COOPER S CLUBMAN 2,833 lbs)



All figures in inches.

SPECIFICATIONS

■ ■	Clubdoor for easy rear-passenger access
■	Naturally aspirated 1.6-liter (DOHC), 16-valve, in-line 4-cylinder aluminum-alloy engine with Valvetronic
■	Turbocharged, intercooled direct-injected, 1.6-liter (DOHC), 16-valve, in-line 4-cylinder aluminum-alloy engine with Valvetronic
■	121 HP @ 6,000 rpm, 114 lb-ft of torque @ 4,250 rpm
■	181 HP @ 5,500 rpm, 177 lb-ft of torque @ 1,600–5,000 rpm
■	0–60 MPH in 8.9 seconds
■	0–60 MPH in 6.8 seconds
■ ■	6-speed Aisin automatic transmission (optional)
■ ■	Split fold-down rear seats for expandable cargo space
■	15" alloy wheels with all-season or performance tires
■	16" alloy wheels with all-season or performance run-flat tires
■ ■	17" optional alloy wheels with all-season or performance tires
■ ■	CD audio system with AM/FM HD radio and 1-year SIRIUS® satellite radio, 6 speakers, auxiliary input-ready, optional Harman Kardon® premium sound
■ ■	MINI COOPER CLUBMAN
■ ■	MINI COOPER S CLUBMAN

All figures above relate to vehicles with the standard 6-speed manual transmission.

BE LEGENDARY.

MINI JOHN COOPER WORKS In the course of a career that revolutionized racing, John Cooper collected three Monte Carlo Rally titles and 16 Grand Prix wins. A fitting tribute to a racing legend, the MINI John Cooper Works offers a potent combination of balanced handling and ballistic acceleration. The MINI John Cooper Works is tuned to achieve performance normally reserved for racecars, which, not coincidentally, is exactly what it is.



SPECIFICATIONS

- » Red Brembo® 4-piston front brake calipers with 12.4-inch ventilated brake discs
- » Tuned turbocharged, intercooled and direct-injected 208-HP aluminum-alloy engine with 192 lb-ft of torque
- » Sport-tuned exhaust with dual stainless steel tips
- » Dynamic Traction Control with Electronic Differential Lock Control
- » Performance-tuned transmission
- » 0-60 MPH in 6.2 seconds (Hardtop), 6.6 seconds (Convertible) and 6.5 seconds (Clubman)
- » 17" CHALLENGE Spoke alloy wheels



BE UNIQUE.



AVAILABLE WHEELS



Some wheels are also available in white and black.

For MINI Countryman color and wheel options, refer to MINI Countryman section.

Visit MINIUSA.COM to build and accessorize your own MINI. And check out all of the cool interior treatments. You can also pick up some gear, locate a dealer or learn more about MINI and motoring. Or visit because you're bored and need a decent site to check out. We're good for that too.

WHY THE CONTRASTING ROOF?

Back in the day when MINI ruled at Monte Carlo, the roof was painted so that even at a distance it could be spotted in a crowd. Of course, being in front always helped too.



Available on MINI Hardtop and MINI Clubman models.

EXTERIOR COLORS (NON-METALLIC)



EXTERIOR COLORS (METALLIC)



ROOF COLORS



- 1 MINI COOPER HARDTOP
- 2 MINI COOPER S HARDTOP
- 3 MINI COOPER CONVERTIBLE
- 4 MINI COOPER S CONVERTIBLE
- 5 MINI COOPER CLUBMAN
- 6 MINI COOPER S CLUBMAN
- 7 MINI JOHN COOPER WORKS HARDTOP
- 8 MINI JOHN COOPER WORKS CONVERTIBLE
- 9 MINI JOHN COOPER WORKS CLUBMAN
- A ALL MODELS

1-Available with Hampton package.

BE VERSATILE.

MINI COOPER S COUNTRYMAN ALL4

INTRODUCING THE MINI COUNTRYMAN the first MINI with four doors, as well as the first MINI to offer the ALL4 all-wheel drive system, which provides variable power distribution between the front and rear axles. With ample space for your next big adventure, the MINI Countryman offers iconic MINI styling while allowing you to venture even further off the beaten path.



▶ MINI Cooper Countryman

▶ Four doors and generous space

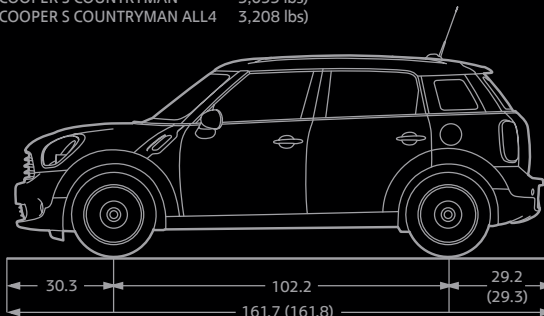
▶ The MINI Countryman's flexible center-rail system



BIGGER. BUT STILL MINI.

The MINI Countryman offers four doors and ample space for your next big adventure—but remains undeniably MINI.

MINI COOPER COUNTRYMAN 2,954 lbs
 (MINI COOPER S COUNTRYMAN 3,053 lbs)
 (MINI COOPER S COUNTRYMAN ALL4 3,208 lbs)



All figures in inches.

EXTERIOR COLORS (NON-METALLIC)



BRIGHT YELLOW LIGHT WHITE LIGHT COFFEE SURF BLUE PURE RED

EXTERIOR COLORS (METALLIC)



ABSOLUTE BLACK OXFORD GREEN ROYAL GREY TRUE BLUE CRYSTAL SILVER COSMIC BLUE

AVAILABLE WHEELS



Some wheels are also available in white, dark anthracite and black.

SPECIFICATIONS

■	Naturally aspirated 1.6-liter (DOHC), 16-valve, in-line 4-cylinder aluminum-alloy engine with Valvetronic
■ ■	Turbocharged, intercooled direct-injected, 1.6-liter (DOHC), 16-valve, in-line 4-cylinder aluminum-alloy engine with Valvetronic
■	121 HP @ 6,000 rpm, 118 lb-ft of torque @ 4,250 rpm
■ ■	181 HP @ 5,500 rpm, 177 lb-ft of torque @ 1,600–5,000 rpm
■	0–60 MPH in 9.8 seconds
■	0–60 MPH in 7.0 seconds
■	0–60 MPH in 7.3 seconds
■ ■	Available ALL4 all-wheel drive
■ ■ ■	Cargo capacity of 12.4 to 40 cubic feet depending on rear-seat positioning
■ ■ ■	6-speed Aisin automatic transmission (optional)
■ ■ ■	17" standard alloy wheels with all-season or performance run-flat tires
■ ■ ■	18" optional alloy wheels with all-season or performance tires
■ ■ ■	CD audio system with AM/FM HD radio and 1-year SIRIUS® satellite radio, 6 speakers, auxiliary input-ready, optional Harman Kardon® premium sound
■ ■ ■	Unique center rail
■ ■ ■	MINI COOPER COUNTRYMAN ■ ■ ■ MINI COOPER S COUNTRYMAN
■ ■ ■	MINI COOPER S COUNTRYMAN ALL4

All figures above relate to vehicles with the standard 6-speed manual transmission.

BE CONNECTED.

MINI CONNECTED links with the iPhone® to integrate entertainment and information including in-car Web radio. It also allows users to stay plugged into social networks like Twitter and provides access to helpful resources with Google Local Search functionality. MINI Connected brings unlimited possibilities of online infotainment directly to you inside your MINI.



BE SECURE.

YOU CAN NEVER BE TOO SECURE. That's why every MINI is packed with safety features in a compact, efficient package. However, avoiding an accident in the first place is a much better outcome, which is why every MINI includes a host of active safety features including Dynamic Stability Control and the latest generation four-channel Anti-lock Braking System.

ADDITIONAL SAFETY FEATURES

- ✓ Six airbags standard on MINI Hardtop, Clubman and Countryman. Four airbags standard on MINI Convertible*
- ✓ Rigid body structure and advanced crumple zones channel collision forces away from the passenger compartment
- ✓ Standard Dynamic Stability Control to counteract loss of traction
- ✓ Standard Anti-lock Braking System with Cornering Brake Control ensures optimum braking performance in any situation
- ✓ Available Dynamic Traction Control with Electronic Differential Lock Control for enhanced cornering, standard on John Cooper Works



MINI HARDTOP



MINI CONVERTIBLE

*Airbags may not deploy simultaneously.

Learn more about MINI's obsession with safety at MINIUSA.COM

BE MINI.

Every MINI offers more thrills and more fun than anything else on the road. And while they may be small, each one packs a much-bigger-than-expected punch. That's because every MINI is equipped with either a naturally aspirated 16-valve engine generating 121 HP for the Cooper or a fire-breathing 181 HP turbocharged engine for the Cooper S. So no matter what MINI you choose you're guaranteed to get the most out of the road every time.

MINI CONVERTIBLE



MINI CLUBMAN



MINI COUNTRYMAN



MINI HARDTOP

LET'S MOTOR.[®]

Find a MINI Dealer at MINIUSA.COM



PROUD PARTNER

WARRANTY.*

At MINI, our commitment to quality and customer satisfaction is clearly demonstrated by a 4-year/50,000-mile New Passenger Car Limited Warranty and a 12-year/unlimited-mileage limited warranty against rust and corrosion perforation.

BOOT TO BONNET NO COST MAINTENANCE.*

MINI also wants to ensure the proper performance of your vehicle, so we offer No Cost Maintenance standard for the first 3 years or 36,000 miles.

ROADSIDE ASSISTANCE PROGRAM.*

The MINI Owner experience continues out on the road. You are only a toll-free phone call away. The MINI Roadside Assistance Program is available 24 hours a day, anywhere in the U.S., Canada or Puerto Rico. The program offers towing, lock-out service, on-site assistance and even custom computerized trip-routing services. And for a nominal fee, the MINI Service Card extends this service after the New Passenger Car Limited Warranty for as long as you wish.

*For a list of terms and conditions for all the good stuff above, visit MINIUSA.COM

All specifications pertain to model year 2011. Performance data based on BMW AG test results.

At MINI, we try hard to be accurate. However, mistakes happen and things change. Therefore, we do not assume liability for the accuracy or completeness of the information presented.

© 2011 MINI, a division of BMW of North America, LLC. The MINI name, model names and logo are registered trademarks. MINI-1899-100M-R55,R56,R57,R60 MY11 for use 02/11-07/11.

This paper is 100% recyclable, made with 50% recycled content, 15% post-consumer waste. All inks used in the production of this brochure are soy-based inks. However, please refrain from trying to make a latte with them. We already tried it. It doesn't work.

36USC220506