



Proud Partner



LET'S MOTOR.[®]

Stay connected at MINIUSA.COM

WELCOME TO MINI

EPA estimate. Actual mileage will vary with options, driving conditions, driving habits and vehicle operation.

*SiriusXM audio services each require a subscription sold separately, or as a package, by Sirius XM Radio Inc. and are only available on factory or dealer-installed vehicles. If you decide to continue service after your trial, the subscription plan you choose will automatically renew thereafter and you will be charged according to your chosen payment method at then-current rates. Fees and taxes apply. To cancel you must call SiriusXM at 1-866-635-2349. See SiriusXM Customer Agreement for complete terms at www.siriusxm.com. All fees and programming subject to change. Sirius, XM and all related marks and logos are trademarks of Sirius XM Radio Inc.

Pandora is a registered trademark of Pandora Media Inc. Spotify is a registered trademark of Spotify AB. All other marks and logos are the property of their respective owners.

All specifications pertain to model year 2015. Performance data and acceleration claims are based upon BMW AG test results.

At MINI, we try hard to be accurate. However, mistakes happen and things change. Therefore, we do not assume liability for the accuracy or completeness of the information presented.

This paper is 100% recyclable, made with 10% postconsumer waste. All inks used in the production of this brochure are soy-based inks. However, please refrain from trying to make a latte with them. We already tried it. It doesn't work.

© 2015 MINI USA, a division of BMW of North America, LLC. The MINI name, model names and logo are registered trademarks. MINI-2505-119,750 - F55, F56, R57, R58, R59, R60, R61 (MY15) for use 1/15-7/15.
36 USC 220506



CHOOSE YOUR OWN ADVENTURE.

MINI has been offering more thrills than any other car on the road since 1959. Just how can we prove that, you ask? Well, perhaps it's the go-kart handling that's in our DNA. It could be the pump-passing fuel-efficiency built into each of the seven beautiful models. Or just maybe it's the fact

that we're still pushing the envelope with innovations like the 189 horsepower, TwinPower Turbo engine that's in the MINI Cooper S Hardtop — 2-door and 4-door versions. Whatever the reason, it's safe to say there's still nothing quite like a MINI.

Let's Motor.®



MINI PACEMAN

MINI HARDTOP 4 DOOR

MINI HARDTOP

MINI CONVERTIBLE

MINI COUNTRYMAN

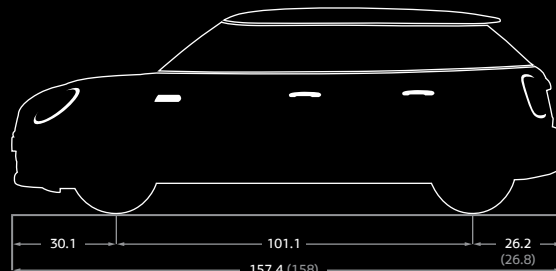
MINI ROADSTER

MINI COUPE

SAME HANDLING. MORE HANDLES.

MINI HARDTOP 4 DOOR. It's the icon you love with double the doors. Powered by a MINI TwinPower Turbo engine developed with the BMW Group, this MINI Hardtop is loaded with premium features, our world-famous feistiness, and, with room for five, is built for sharing. Or for having a little more MINI all to yourself.

MINI COOPER HARDTOP 4 DOOR: 2,750 lbs
MINI COOPER S HARDTOP 4 DOOR: 2,895 lbs



All figures in inches.



MINI COOPER HARDTOP 4 DOOR

134 HP @ 4,500–6,000 rpm,
162 lb-ft of torque @ 1,250 rpm

TwinPower Turbo, high precision direct-injection, 1.5-liter, 12-valve, in-line 3-cylinder engine with double VANOS

MPG: 40 Highway/29 City

0–60 MPH in 7.6 seconds

6-speed Getrag manual transmission (6-speed Aisin automatic transmission optional)

60:40 Split fold-down rear seats for expandable cargo space

Cargo capacity: 40.7 cubic feet with rear seats down

15" standard alloy wheels with all-season or performance tires

Up to 18" optional alloy wheels with performance run-flat tires

Audio system with 4-line display featuring AM/FM HD radio, Bluetooth and USB/iPod® adapter, 6-speakers (Cooper)/6-speakers (Cooper S), AUX-In connection. Optional: harman/kardon® premium sound, SiriusXM® Satellite Radio with a one-year All Access trial subscription*, up to 8.8" LCD screen with Navigation and MINI Connected

Boot to Bonnet No Cost Maintenance for up to 3 years or 36,000 miles

Optional sport suspension or Dynamic Damper Control

MINI COOPER S HARDTOP 4 DOOR

189 HP @ 4,700–6,000 rpm,
207 lb-ft of torque @ 1,250 rpm

TwinPower Turbo, high precision direct-injection, 2.0-liter, 16-valve, in-line 4-cylinder engine with double VANOS

MPG: 34 Highway/24 City

0–60 MPH in 6.5 seconds

6-speed Getrag manual transmission (6-speed Aisin automatic or sport automatic optional)

60:40 Split fold-down rear seats for expandable cargo space

Cargo capacity: 40.7 cubic feet with rear seats down

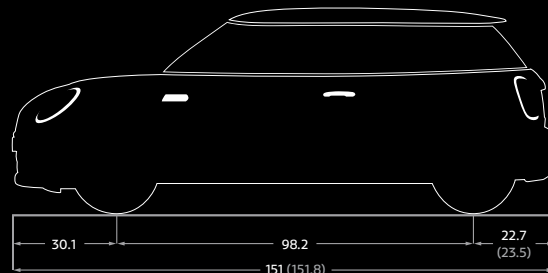
16" standard alloy wheels with all-season or performance run-flat tires

All figures above relate to vehicles with the standard 6-speed manual transmission.

A TRUE ORIGINAL.

MINI HARDTOP. The true original has an available 189 horsepower, MINI TwinPower Turbo engine, as well as optional LED headlights and MINI Connected mobile command center, on top of many other exhilarating features. Yet, despite all the premium enhancements, this sleek 2-door still has the same heart and soul. In other words, it's still a MINI.

MINI COOPER HARDTOP 2 DOOR: 2,605 lbs
MINI COOPER S HARDTOP 2 DOOR: 2,760 lbs



All figures in inches.



MINI COOPER HARDTOP 2 DOOR

134 HP @ 4,500–6,000 rpm,
162 lb-ft of torque @ 1,250 rpm

TwinPower Turbo, high precision direct-injection, 1.5-liter, 12-valve, in-line 3-cylinder engine with double VANOS

MPG: 40 Highway/29 City

0–60 MPH in 7.4 seconds

6-speed Getrag manual transmission (6-speed Aisin automatic transmission optional)

60:40 Split fold-down rear seats for expandable cargo space

Cargo capacity: 34 cubic feet with rear seats down

15" standard alloy wheels with all-season or performance tires

Up to 18" optional alloy wheels with performance run-flat tires

Audio system with 4-line display featuring AM/FM HD radio, Bluetooth and USB/iPod® interface, 4-speakers (Cooper)/6-speakers (Cooper S), AUX-In connection. Optional: harman/kardon® premium sound, SiriusXM® Satellite Radio with a one-year All Access trial subscription*, up to 8.8" LCD screen with Navigation and MINI Connected

Boot to Bonnet No Cost Maintenance for up to 3 years or 36,000 miles

Optional sport suspension or Dynamic Damper Control

MINI COOPER S HARDTOP 2 DOOR

189 HP @ 4,700–6,000 rpm,
207 lb-ft of torque @ 1,250 rpm

TwinPower Turbo, high precision direct-injection, 2.0-liter, 16-valve, in-line 4-cylinder engine with double VANOS

MPG: 34 Highway/24 City

0–60 MPH in 6.5 seconds

6-speed Getrag manual transmission (6-speed Aisin automatic or sport automatic optional)

16" standard alloy wheels with all-season or performance run-flat tires

All figures above relate to vehicles with the standard 6-speed manual transmission.

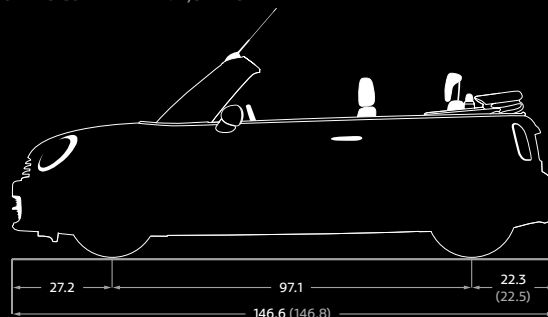
HEY THERE, SUNSHINE.

MINI CONVERTIBLE. The credo of this four-seater convertible is “Always Open.” It’s the sentiment that speaks to the thrill of motoring without a roof, but also captures a uniquely MINI mind-set of being open to whatever adventure might be waiting around the next hairpin curve.



The Openometer gauge on the MINI Convertible keeps track of how long you’ve had the top down. It’s a friendly reminder to help you stay Always Open.

MINI COOPER CONVERTIBLE: 2,701 lbs
MINI COOPER S CONVERTIBLE: 2,811 lbs



All figures in inches.

MINI COOPER CONVERTIBLE	MINI COOPER S CONVERTIBLE
121 HP @ 6,000 rpm, 114 lb-ft of torque @ 4,250 rpm	181 HP @ 5,500 rpm, 177 lb-ft of torque @ 1,600–5,000 rpm
Naturally aspirated 1.6-liter (DOHC), 16-valve, in-line 4-cylinder aluminum alloy engine with Valvetronic	Turbocharged, intercooled direct-injected, 1.6-liter (DOHC), 16-valve, in-line 4-cylinder aluminum alloy engine with Valvetronic
MPG: 34 Highway/27 City	MPG: 35 Highway/26 City
0–60 MPH in 8.9 seconds	0–60 MPH in 6.8 seconds
6-speed Getrag manual transmission (6-speed Aisin automatic transmission optional)	6-speed Getrag manual transmission (6-speed Aisin automatic transmission optional)
Fully automatic convertible top that folds down in 15 seconds	
Sunroof feature	
Heated-glass rear window	
Drop-down tailgate with easy-load feature	
Cargo capacity: 23.3 cubic feet with rear seats down	
16" standard alloy wheels with all-season or performance run-flat tires	
17" optional alloy wheels with all-season or performance run-flat tires	
CD audio system with AM/FM HD radio, Bluetooth and USB/iPod® interface, 6 speakers, auxiliary input-ready, optional harman/kardon® premium sound, optional SiriusXM® Satellite Radio with a one-year All Access trial subscription*	
Bout to Bonnet No Cost Maintenance for up to 3 years or 36,000 miles	

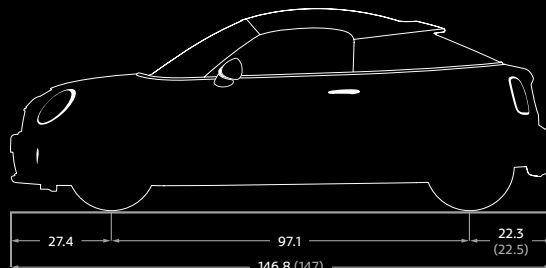
All figures above relate to vehicles with the standard 6-speed manual transmission.

ZOOM FOR TWO.

MINI COUPE epitomizes all things MINI: acceleration, speed, handling and more speed. It's an unapologetically aggressive two-seater with a lower center of gravity that instantly brings out the daredevil in any motorer. Ultra-stiff bodywork, torsional reinforcements and incredibly precise steering combine to create a direct connection to the road while the spectacular styling and retractable spoiler leave no one in doubt about this Coupe's capabilities.



MINI COOPER COUPE: 2,557 lbs
MINI COOPER S COUPE: 2,679 lbs



All figures in inches.

MINI COOPER COUPE	MINI COOPER S COUPE
121 HP @ 6,000 rpm, 114 lb-ft of torque @ 4,250 rpm	181 HP @ 5,500 rpm, 177 lb-ft of torque @ 1,600–5,000 rpm
Naturally aspirated 1.6-liter, 4-cylinder aluminum alloy engine with Valvetronic	Turbocharged, intercooled direct-injected, 1.6-liter (DOHC), 16-valve, in-line 4-cylinder aluminum alloy engine with Valvetronic
MPG: 37 Highway/29 City	MPG: 35 Highway/26 City
0–60 MPH in 8.3 seconds	0–60 MPH in 6.5 seconds
6-speed Getrag manual transmission (6-speed Aisin automatic transmission optional)	6-speed Getrag manual transmission (6-speed Aisin automatic transmission optional)
2 seats and height-adjustable driver's seat with backrest memory function	
Pass-through cargo area to the boot	
Cargo capacity: 7.9 cubic feet	
15" standard alloy wheels with all-season or performance tires	16" standard alloy wheels with all-season or performance run-flat tires
17" optional alloy wheels with all-season or performance run-flat tires	
CD audio system with AM/FM HD radio, Bluetooth and USB/iPod® interface, 6 speakers, auxiliary input-ready, optional harman/kardon® premium sound, optional SiriusXM® Satellite Radio with a one-year All Access trial subscription*	
Aerodynamic roof and rear spoiler that raises at 50 MPH	
Boot to Bonnet No Cost Maintenance for up to 3 years or 36,000 miles	

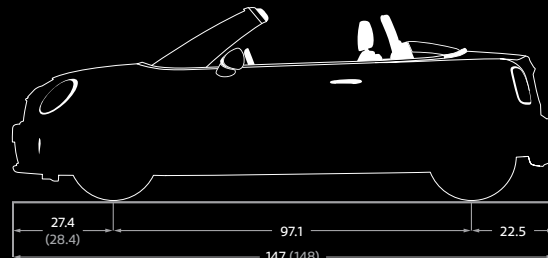
All figures above relate to vehicles with the standard 6-speed manual transmission.

TWO-PLAYER MODE.

MINI ROADSTER transforms every ride into a show-stopping performance. Its sporty styling, rear spoiler and soft top roof earn it a standing ovation wherever it goes. The impressive two-seater also has incredible handling, so you'll develop a craving to motor that can only be satisfied by strapping in and taking the show on the road.



MINI COOPER ROADSTER: 2,635 lbs
MINI COOPER S ROADSTER: 2,745 lbs



All figures in inches.

MINI COOPER ROADSTER	MINI COOPER S ROADSTER
121 HP @ 6,000 rpm, 114 lb-ft of torque @ 4,250 rpm	181 HP @ 5,500 rpm, 177 lb-ft of torque @ 1,600–5,000 rpm
Naturally aspirated, 1.6-liter, 4-cylinder aluminum alloy engine with Valvetronic	Turbocharged, intercooled direct- injected, 1.6-liter (DOHC), 16-valve, in-line 4-cylinder aluminum alloy engine with Valvetronic
MPG: 34 Highway/27 City	MPG: 35 Highway/26 City
0–60 MPH in 8.7 seconds	0–60 MPH in 6.7 seconds
6-speed Getrag manual transmission (6-speed Aisin automatic transmission optional)	6-speed Getrag manual transmission (6-speed Aisin automatic transmission optional)
2 seats and height-adjustable driver's seat with backrest memory function	
Pass-through cargo area to the boot	
Cargo capacity: 8.5 cubic feet	
16" alloy wheels with all-season or performance run-flat tires	
17" optional alloy wheels with all-season or performance run-flat tires	
CD audio system with AM/FM HD radio, Bluetooth and USB/iPod® interface, 6 speakers, auxiliary input-ready, optional harman/kardon® premium sound, optional SiriusXM® Satellite Radio with a one-year All Access trial subscription*	
Semi-automatic retractable roof	
Rear spoiler that raises at 50 MPH	
Boot to Bonnet No Cost Maintenance for up to 3 years or 36,000 miles	

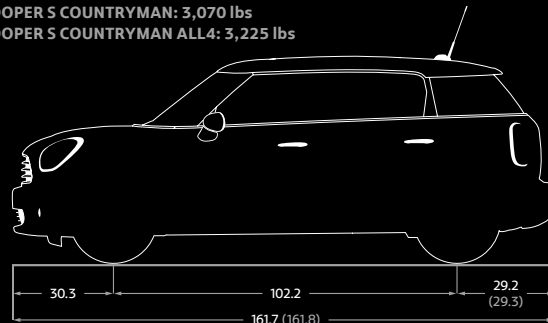
All figures above relate to vehicles with the standard 6-speed manual transmission.

FRIEND FRIENDLY.

MINI COUNTRYMAN is the biggest member of the family, but it still motors with the best of them. Get even more control in challenging conditions with the available ALL4 all-wheel drive. With ample space to fit five people for your next big adventure, the MINI Countryman offers iconic MINI styling while allowing you to venture even farther off the beaten path.



MINI COOPER COUNTRYMAN: 2,970 lbs
MINI COOPER S COUNTRYMAN: 3,070 lbs
MINI COOPER S COUNTRYMAN ALL4: 3,225 lbs



All figures in inches.

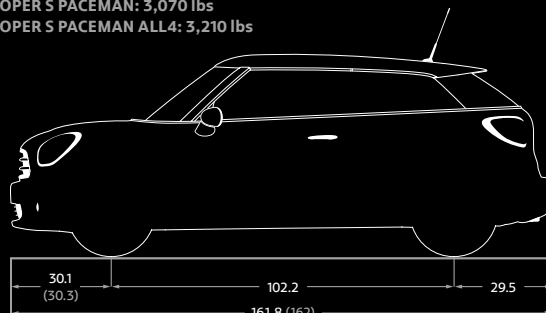
MINI COOPER COUNTRYMAN	MINI COOPER S COUNTRYMAN	MINI COOPER S COUNTRYMAN ALL4
121 HP @ 6,000 rpm, 114 lb-ft of torque @ 4,250 rpm	181 HP @ 5,500 rpm, 177 lb-ft of torque @ 1,600–5,000 rpm	
Naturally aspirated 1.6-liter (DOHC), 16-valve, in-line 4-cylinder aluminum alloy engine with Valvetronic	Turbocharged, intercooled direct-injected, 1.6-liter (DOHC), 16-valve, in-line 4-cylinder aluminum alloy engine with Valvetronic	
MPG: 34 Highway/27 City	MPG: 32 Highway/26 City	MPG: 31 Highway/25 City
0–60 MPH in 9.8 seconds	0–60 MPH in 7.0 seconds	0–60 MPH in 7.3 seconds
6-speed Getrag manual transmission (6-speed Aisin automatic transmission optional)	6-speed Getrag manual transmission (6-speed Aisin automatic transmission optional)	
Front-wheel drive		ALL4 all-wheel drive
17" standard alloy wheels with all-season or performance run-flat tires		
18" optional alloy wheels with all-season or performance run-flat tires		
CD audio system with AM/FM HD radio, Bluetooth and USB/iPod® interface, 6 speakers, auxiliary input-ready, optional harman/kardon® premium sound, optional SiriusXM® Satellite Radio with a one-year All Access trial subscription*		
Fits five people		
Cargo capacity: 42.2 cubic feet with rear seats down		
Boot to Bonnet No Cost Maintenance for up to 3 years or 36,000 miles		

All figures above relate to vehicles with the standard 6-speed manual transmission.

DESIGN MOVEMENT.

MINI PACEMAN adds a powerfully sporty twist to a functional design. With a sloped aerodynamic roof, wider rear quarter and optional sport suspension, this aggressive two-door with available ALL4 all-wheel drive is ready to make every city slicker. The spacious vehicle has all the room you and your friends need to have an unforgettable night out on the town, while its stylish looks makes sure it'll be the talk of the town.

MINI COOPER PACEMAN: 2,940 lbs
MINI COOPER S PACEMAN: 3,070 lbs
MINI COOPER S PACEMAN ALL4: 3,210 lbs



All figures in inches.



MINI COOPER PACEMAN	MINI COOPER S PACEMAN	MINI COOPER S PACEMAN ALL4
121 HP @ 6,000 rpm, 114 lb-ft of torque @ 4,250 rpm	181 HP @ 5,500 rpm, 177 lb-ft of torque @ 1,600–5,000 rpm	
Naturally aspirated 1.6-liter (DOHC), 16-valve, in-line 4-cylinder aluminum alloy engine with Valvetronic	Turbocharged, intercooled direct-injected, 1.6-liter (DOHC), 16-valve, in-line 4-cylinder aluminum alloy engine with Valvetronic	
MPG: 34 Highway/27 City	MPG: 32 Highway/26 City	MPG: 31 Highway/25 City
0–60 MPH in 9.7 seconds	0–60 MPH in 6.9 seconds	0–60 MPH in 7.6 seconds
6-speed Getrag manual transmission (6-speed Aisin automatic transmission optional)	6-speed Getrag manual transmission (6-speed Aisin automatic transmission optional)	
Front-wheel drive		ALL4 all-wheel drive
17" standard alloy wheels with all-season or performance run-flat tires		
18" optional alloy wheels with all-season or performance run-flat tires	18" optional alloy wheels with all-season or performance run-flat tires or 19" with performance run-flat tires	
CD audio system with AM/FM HD radio, Bluetooth and USB/iPod® interface, 6 speakers, auxiliary input-ready, optional harman/kardon® premium sound, optional SiriusXM® Satellite Radio with a one-year All Access trial subscription*		
Cargo capacity: 38.1 cubic feet with rear seats down		
Boot to Bonnet No Cost Maintenance for up to 3 years or 36,000 miles		

All figures above relate to vehicles with the standard 6-speed manual transmission.

RACING IS IN OUR BLOOD.



MINI JOHN COOPER WORKS. In the course of a career that revolutionized racing, John Cooper, the British racing legend, collected three Monte Carlo Rally titles and 16 Grand Prix wins. A fitting tribute to a racing icon, MINI John Cooper Works vehicles offer a potent combination of balanced handling and ballistic acceleration. They are tuned to achieve performance normally reserved for racecars, which is exactly what you'll think you're driving.

SPECIFICATIONS

»»	Red Brembo® 4-piston front brake calipers with 12.4-inch ventilated brake discs (most models)
»»	Tuned turbocharged, intercooled and direct-injected 208 HP aluminum alloy engine with 192 lb-ft of torque (most models)
»»	Sport-tuned exhaust with dual stainless steel tips
»»	Dynamic Traction Control with Electronic Differential Lock Control
»»	Performance-tuned transmission
»»	Optional 6-speed Aisin automatic transmission
»»	0-60 MPH in 6.1 seconds (Coupe), 6.3 seconds (Roadster), 6.5 seconds (Convertible), 6.5 seconds (Paceman) and 6.6 seconds (Countryman)
»»	17" Challenge Spoke light-alloy wheels or 18" Twin Spoke black burnished light-alloy wheels

All figures above relate to vehicles with the standard 6-speed manual transmission.



YOU-IFICATION.

MAKING YOUR MINI UNIQUELY YOUR OWN is something we call You-ification. And guess who puts the “you” in You-ification? We’ll give you a hint, it rhymes with “you.” With a huge selection of customizable options — including roof graphics, bonnet or sport stripes, mirror caps, racing lamps, alloy wheels and a variety of exterior colors — your MINI will undoubtedly be your own MINI.

Configure your MINI at MINIUSA.COM

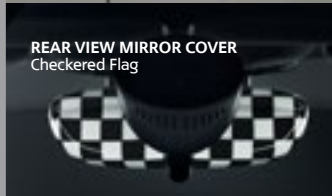
FLOOR MATS AND DOOR SILLS
John Cooper Works Pro



SIDE SCUTTLE
Black & Grey Checkered



REAR VIEW MIRROR COVER
Checkered Flag



MIRROR CAPS
Union Jack



MINI HARDTOP, CONVERTIBLE, COUPE AND ROADSTER MODELS

15"



16"



17"



18"



Wheel availability varies by model.

MINI COUNTRYMAN AND PACEMAN MODELS

17"



18"



19"



Some wheels are available in white, dark anthracite and black.

MOTOR THE SPECTRUM.

MINI HARDTOP MODELS

EXTERIOR COLORS METALLIC



ELECTRIC BLUE 1 2 3 4
MOONWALK GRAY 1 2 3 4
MIDNIGHT BLACK 1 2 3 4



BRITISH RACING GREEN II 1 2 3 4
THUNDER GRAY 2 4
ICED CHOCOLATE 1 2 3 4



DEEP BLUE 1 2 3 4
BLAZING RED 1 2 3 4
WHITE SILVER 1 2 3 4

EXTERIOR COLORS NON-METALLIC

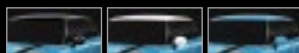


PEPPER WHITE 1 2 3 4
VOLCANIC ORANGE 1 2 3 4



CHILI RED 1 2 3 4
LAPISLUXURY BLUE 1 2 3 4

ROOF COLORS



BLACK ROOF & MIRROR CAPS 1 2 3 4
WHITE ROOF & MIRROR CAPS 1 2 3 4
SAME COLOR BODY, ROOF & MIRROR CAPS 1 2 3 4

MINI COUNTRYMAN & PACEMAN MODELS

EXTERIOR COLORS METALLIC



ABSOLUTE BLACK A
CRYSTAL SILVER A
JUNGLE GREEN 1 2 3 4



STARLIGHT BLUE A
MIDNIGHT GRAY A



COSMIC BLUE 1 2
BLAZING RED 1 2 3 4
BRILLIANT COPPER 1 2 3 4

- 1 MINI Cooper Hardtop 2 Door
- 2 MINI Cooper S Hardtop 2 Door
- 3 MINI Cooper Hardtop 4 Door
- 4 MINI Cooper S Hardtop 4 Door
- 5 MINI Cooper Convertible
- 6 MINI Cooper S Convertible
- 7 MINI Cooper Coupe

- 8 MINI Cooper S Coupe
- 9 MINI Cooper Roadster
- 10 MINI Cooper S Roadster
- 11 MINI John Cooper Works Convertible
- 12 MINI John Cooper Works Coupe
- 13 MINI John Cooper Works Roadster
- A All models (excluding Countryman and Paceman)

MINI CONVERTIBLE, COUPE & ROADSTER MODELS

EXTERIOR COLORS METALLIC



BRITISH RACING GREEN II A
LIGHTNING BLUE 5 6 7 8 9 10 11 12 13
WHITE SILVER A



ECLIPSE GRAY 5 6 7 8 9 10 11 12 13
MIDNIGHT BLACK A
ICED CHOCOLATE 5 6

EXTERIOR COLORS NON-METALLIC

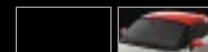


PEPPER WHITE A
CHILI RED A

ROOF COLORS



BLACK ROOF & MIRROR CAPS 7 8 12
SILVER ROOF & MIRROR CAPS 7 8 12
SAME COLOR BODY & MIRROR CAPS 5 6 9 10 11 13



SOFT TOP BLACK 5 6 9 10 11 13
CHILI RED ROOF & MIRROR CAPS 12

EXTERIOR COLORS NON-METALLIC



LIGHT WHITE A
LIGHT COFFEE 1 2
CHILI RED 2 4 5 6

ROOF COLORS



BLACK ROOF & MIRROR CAPS A
WHITE ROOF & MIRROR CAPS A
SAME COLOR BODY, ROOF & MIRROR CAPS A
CHILI RED ROOF & MIRROR CAPS 5 6

Some body color and roof/mirror combinations are not available. Check with your Motoring Advisor for details.

A THING OF INNER BEAUTY.

IT'S WHAT'S ON THE INSIDE THAT COUNTS. Some say MINI goes overboard to create a unique interior like no other. However, with contrasting door panels, interior surface options, available ambient lighting and unorthodox speedometers, we say MINI goes the perfect amount of overboard. Also, with a variety of customizable features, MINI upholds its reputation of allowing each car to be unique to each motorer. So go ahead, go overboard.

John Cooper Works Interior with
Lounge Leather Carbon Black
Championship Red Upholstery

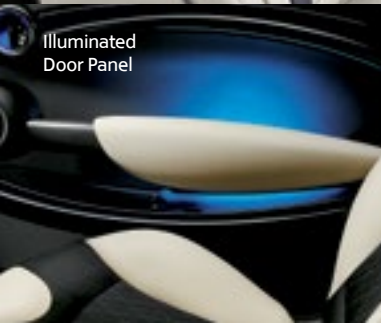
See all interior options at MINIUSA.COM



MINI Yours Leather
Lounge Seats in Satellite Gray



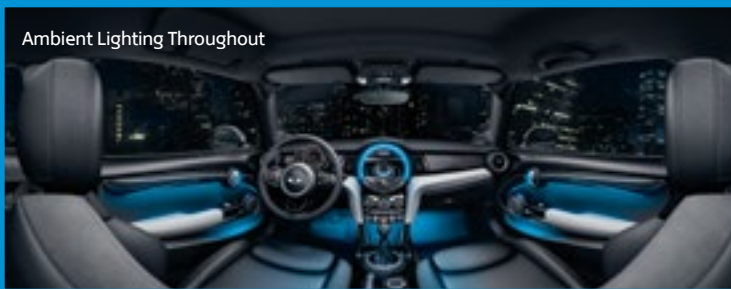
MINI Yours Leather
Steering Wheel in Black/Satellite Gray



Illuminated
Door Panel



Recaro Sport Seat in
Dinamica/Leather Carbon Black



Ambient Lighting Throughout

LOVE AT SECOND SIGHT.

EVERY MINI NEXT™ vehicle is just as good-looking as a new one, but we all know that looks aren't everything. That's why you should feel good about the rigorous certification process that every vehicle must undergo to qualify for our MINI NEXT program. Only the lucky few gain entry for a second go-round.



MINI NEXT™ CERTIFIED PRE-OWNED

PROGRAM DETAILS



Less than 5 years old. That's why you'll notice every MINI NEXT vehicle still has its youthful glow.



Less than 60,000 miles. Low miles and still ready to do some serious motoring.



Genuine MINI parts. Any parts used to repair or service MINI NEXT vehicles are the real deal: honest, sincere and genuinely MINI.



MINI NEXT Protection Plan.* MINI NEXT Certified Pre-Owned Protection Plan is up to 6-year/100,000-mile warranty* from original in-service date.

MINI NEXT 575 Protection Plan.** For the younger cars, (less than 36,001 miles) the MINI NEXT Certified Pre-Owned 575 Protection Plan is up to 5-year/75,000-mile warranty** from original in-service date. Just in case you don't take our word for it, the MINI NEXT and MINI NEXT 575 Protection Plans speaks for themselves.



Roadside Assistance plan. On the off chance of a breakdown, Roadside Assistance will come to you, assist you and maybe even sing a song to lift your spirits. Roadside Assistance is good for the length of your protection plan.



Rigorously inspected. MINI trained technicians get under the bonnet of every MINI NEXT candidate.

Learn more about MINI NEXT at MINIUSA.COM/MININEXT

* Every MINI NEXT vehicle is covered for up to 6 years or 100,000 miles (whichever comes first). MINI NEXT Warranty Program provides coverage for 2 years or 50,000 miles (whichever comes first) from the date of the expiration of the 4-year/50,000-mile MINI New Passenger Car Limited Warranty, which starts from the in-service date. MINI NEXT cars are only available at authorized MINI Dealers. Please see your MINI Dealer for complete details.

** Every MINI NEXT 575 vehicle is covered for up to 6 years or 100,000 miles (whichever comes first). MINI NEXT 575 Warranty Program provides coverage for 1 year or 25,000 miles (whichever comes first) from the date of the expiration of the 4-year/50,000-mile MINI New Passenger Car Limited Warranty, which starts from the in-service date. MINI NEXT 575 cars are only available at authorized MINI Dealers. Please see your MINI Dealer for complete details.

SAFETY RUNS IN THE FAMILY. THAT AND DASHING GOOD LOOKS.

YOU CAN NEVER BE TOO SECURE. That's why every MINI is packed with safety features in a compact, efficient package. However, avoiding an accident in the first place is a much better outcome, which is why every MINI includes a host of active safety features including Dynamic Stability Control and the latest-generation four-channel Anti-lock Braking System.



CRASH-TEST GENIUS.

In the event of an impact accident, doors unlock, interior and hazard lights turn on and the fuel pump shuts down. When a car can think for itself in the event of an accident, you know it's pretty brilliant.



DYNAMIC STABILITY CONTROL.

DSC lets you rest easy during abrupt swerving maneuvers by maximizing handling through tight corners and reducing the risk of slips and skids.



HILL ASSIST.

Our standard Hill Assist feature makes starting out on a hill while driving a stick a piece of cake. By holding the car's position for two seconds, even on an incline, the system prevents you from rolling back as you move your foot off the brake pedal over to the gas.

ADDITIONAL SAFETY FEATURES.

- ✓ Eight airbags standard on MINI Hardtop. Seven airbags standard on MINI Countryman and Paceman. Four airbags standard on MINI Convertible, MINI Coupe and MINI Roadster.*
- ✓ Rigid body structure and advanced crumple zones channel collision forces away from the passenger compartment.
- ✓ Standard Anti-lock Braking System with Corner Brake Control ensures optimum braking performance in any situation.
- ✓ Available Dynamic Traction Control with Electronic Differential Lock Control for enhanced cornering, standard on John Cooper Works.

*Airbags on all models may not deploy simultaneously.

Learn more about MINI's obsession with safety at MINIUSA.COM

HIGH-SPEED MOBILE DEVICE.

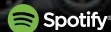
MINI CONNECTED links with the iPhone® and select Android® phones to integrate entertainment and information, including in-car web radio with Pandora® and Spotify®. It also allows users to stay plugged into social networks like Twitter, Foursquare and Facebook.

MINI Connected also comes equipped with the state-of-the-art **MINIMALISM Analyzer**, which rather amazingly monitors your basic motoring behaviors and makes you aware of possible ways to improve your motoring efficiency.

MOVES TO THE BEAT. Every new MINI is available with complete auditory satisfaction. With a one-year trial subscription to the SiriusXM® All Access package, you'll be able to listen inside your vehicle, as well as online and on the SiriusXM app. With the All Access package you'll get commercial-free music, plus exclusive live performances, sports play-by-play, entertainment, comedy, news and more.*



PANDORA
Internet Radio



*See back for details.

WHERE YOUR GPA IS MEASURED IN MPH.

MINI PERFORMANCE MOTORING SCHOOL. MINI USA, in partnership with Miles Ahead, wants to help unleash your motoring potential. Experience hands-on training at the world-famous Indianapolis Motor Speedway®.

LEARNING AT 60 THRILLS PER HOUR. Imagine the rush of spending time on the track at the prestigious racing mecca, Indianapolis Motor Speedway, learning one-on-one from an international racecar driver like Stephan Gregoire, the founder of the Miles Ahead program.

CHOOSE FROM TWO PROGRAMS TO GET YOUR MOTORING ON.

MINI PERFORMANCE MOTORING SCHOOL

Get schooled by the pros, both in the classroom and on the racetrack. Gain confidence and fine-tune your driving techniques. Take the wheel, burn some rubber and accelerate your performance motoring skills.



MINI TEEN MOTORING SCHOOL

Provide your teenage driver with a course in how to handle the unexpected on the street, and have them learn better, safer driving techniques. They'll train with the pros in a controlled environment. Graduates will be better equipped with skills that will make a difference on the road. They may even save some money on their insurance. Learn more and sign up at

BEMILES Ahead.NET



WHAT FUELED US THEN, FUELS US NOW.

IT'S BEEN SAID THAT ADVERSITY BRINGS OUT THE BEST IN GREAT MEN. In the case of Sir Leonard Lord and Alec Issigonis, it led to the creation of a revolutionary vehicle. In 1959, after the Suez Canal crisis caused fuel prices to skyrocket, these two men were inspired to take on the challenge of creating a small, affordable and fuel-efficient car that still packed in a lot of space. Long story short, the MINI was born. As soon as the feisty car hit the streets, it instantly charmed the crowds with its spirit and fun personality. And after many years, it continues to win hearts wherever it motors.



WE DON'T MEAN TO BRAG, BUT...

2011

Best Resale Value Compact Car

› Kelley Blue Book's kbb.com

A 2011 IIHS Top Safety Pick

(2011 MINI Countryman)

› Insurance Institute for Highway Safety

2013

Highest in Sales Satisfaction among Mass Market Brands, Four Years in a Row¹

› J.D. Power and Associates

Intellichoice Best Overall Vehicle of The Year in the Convertible Class

(2013 MINI Cooper Convertible)

› MotorTrend/Wright's Media

A 2013 IIHS Top Safety Pick

(2013 MINI Countryman)

› Insurance Institute for Highway Safety

2012

A 2012 IIHS Top Safety Pick

(2012 MINI Countryman)

› Insurance Institute for Highway Safety

A Consumers Digest Best Buy

(2012 MINI Cooper)

› Consumers Digest

2014

2014 IIHS Top Safety Pick, Four Years in a Row

(2014 MINI Countryman)

› Insurance Institute for Highway Safety

10 Coolest New Cars Under \$25,000 for 2014²

(2014 MINI Cooper S Hardtop)

› Kelley Blue Book's kbb.com

Learn about all our latest awards at MINIUSA.COM

¹MINI received the highest numerical score among mass market brands in the proprietary J.D. Power 2010-2013 Sales Satisfaction Index (SSI) StudiesSM. The 2013 study is based on responses from 29,040 buyers, measuring 19 mass market brands, and measures satisfaction of new-vehicle buyers who purchased or leased their vehicles in April or May 2013. Proprietary study results are based on experiences and perceptions of owners surveyed from July-September 2013. Your experiences may vary. Visit jdpower.com

²From KBB.com's "10 COOLEST NEW CARS UNDER \$25,000 OF 2014 NAMED BY KBB.COM" on Kelley Blue Book's www.kbb.com. Kelley Blue Book is a registered trademark of Kelley Blue Book Co., Inc.

NO COST MAINTENANCE. AS IN ZERO.



BOOT TO BONNET NO COST MAINTENANCE.

MINI puts on a performance every time it hits the road. To ensure your vehicle performs at its best, MINI offers No Cost Maintenance standard for the first 3 years or 36,000 miles. That's how we keep the show on the road.



WARRANTY.

At MINI we love you, our customers. And we express our love and commitment to you with a 4-year/50,000-mile New Passenger Car Limited Warranty and a 12-year/unlimited-mileage limited warranty against rust and corrosion perforation. Now that's what you call true love.



ROADSIDE ASSISTANCE PROGRAM.

If MINI Owners are ever in need, they've got a friend indeed. The MINI Roadside Assistance Program is available 24 hours a day, anywhere in the U.S., Canada or Puerto Rico. The program offers towing, lock-out service, on-site assistance and custom computerized trip-routing services. And for a nominal fee, the MINI Service Card extends this service after the New Passenger Car Limited Warranty for as long as you wish. So whenever you're in need, we're only a toll-free phone call away.

For a list of terms and conditions for all the good stuff above, visit MINIUSA.COM/SERVICE

THE MINI MOTORER PLEDGE.

OUR PROMISE TO OUR CUSTOMERS.

YOUR TIME IS VALUABLE, and we will always respect it.

We will greet you promptly, but **DO NOT BE ALARMED IF WE HUG YOU.** We simply wish to welcome you into our warm, inviting and comfortable facility.

WE WILL ALWAYS OFFER YOU A TEST DRIVE (how could you resist one?), and help you find the MINI that fits your needs.

WE WILL KEEP YOU INFORMED of vehicle delivery or service delays, though such cases are rare.

YOUR MINI'S FEATURES AND FUNCTIONS WILL BE EXPLAINED in the time frame and manner you prefer. That is, quickly, so you can get motoring.

ALTERNATE TRANSPORTATION WILL BE PROVIDED whenever appropriate.

WE ENDEAVOR TO SERVICE YOUR MINI RIGHT THE FIRST TIME, every time.

WE WILL CLEARLY EXPLAIN service requirements and charges.

Not only that, but your new MINI will be delivered in showroom condition, and after each service, it will be **WASHED AND VACUUMED.**

LASTLY, WE PROMISE TO CONTACT YOU PROMPTLY in the method you prefer after each inquiry or visit (but we don't do carrier pigeons).