



Price List of Parts and Accessories

Model T

Effective September 1, 1921

Ford Motor Company

DETROIT, MICHIGAN

September 1st, 1921

Prices subject to change without notice

Of the net amount at which these parts are billed to purchasers who purchase direct from the Ford Motor Company (except parts which show no Tax Status, if any) 20/21 represents the price of the goods and 1/21 represents excise tax.

IMPORTANT

INSIST on getting GENUINE Ford Parts when your Ford car needs repairing. Don't allow "bogus" or imitation Parts to go in your car.

Reprinted with permission of
FORD MOTOR COMPANY

Parts Price List Index

	Page
Ammeter	30
Axle—Front	7
Axle—Rear	5
Battery Bracket and Parts	31
Bendix Drive	30
Body Parts	21
Carburetor	26
Carburetor Attachments	27
Coil and Parts—Spark	30
Commutator	16
Cotter Pins	33
Cut-outs	30
Fan	24
Fenders	27
Frame	9
Gasoline Tank	9
Generator and Parts	31
Hood	26
Horn	34
Lamps	34
Magneto	16
Motor	12-13
Muffler	26
Radiator—Thermo Syphon	24
Running Board and Shields	27
Spark Plugs	31
Springs	23
Starter Parts	30-31
Starting Crank	24
Steering Gear	19
Switch	30
Tools	33
Tops	36
Transmission	16
Transmission Control	17
Transmission Cover	17
Truck Parts	38-40
Wheels	9
Windshields	34
Wiring	30

PRICE LIST OF PARTS

FORD MODEL T 1909-1921

EFFECTIVE SEPTEMBER 1st, 1921

Part No.	Name of Part	Year	Specifications	Price	Tax Status	Code Word	Fac. No.	No. Req. per Car
REAR AXLE								
2500	Rear axle assembly	1909-21	56-inch tread	\$70 00	MH	Aband	95E	1
2501	Axle housing—right	1915-21		10 00	MH	Absolve	7635C	1
2502	Axle housing—left	1915-21		10 00	MH	Absume	7636C	1
2503E	Axle housing bolt	1913-21	$\frac{5}{8}$ " x $1\frac{1}{4}$ "	03		Ajoy	2854	7
2503F	Axle housing bolt nut	1909-21	Used on 2503E	02		Doric	44	7
2504	Rear axle case gasket	1919-21		03		Abraum	139	1
2505	Axle shaft—tapered	1912-21	$1\frac{3}{8}$ " x $3\frac{1}{4}$ "	2 00	MH	Abode	2818	2
2506	Axle shaft washer	1909-21	$1\frac{3}{8}$ " dia. fibre	03		Abound	39	1
2508	Axle shaft roller bearing	1909-21	$2\frac{1}{4}$ " x 4"	1 25		Abraise	253	4
2509	Axle shaft roller bearing sleeve—right	1909-21	4" long	30		Abray	170	2
2509B	Axle shaft roller bearing sleeve—left	1909-21		30		Abate	161	2
2510	Axle housing cap	1909-19	$2\frac{1}{4}$ " dia.	05		Abroad	56	2
2510 $\frac{1}{2}$	Axle housing cap	1919-21		05		Abridge	56B	2
2510A	Axle outer roller bearing steel washer	1909-21	$2\frac{1}{4}$ " dia.	03		Absinthe	199	2
2510B	Axle outer roller bearing felt washer	1909-21	$2\frac{1}{4}$ " dia.	05		Absist	54	2
2512C	Diff. case—left (no bushing used)	1914-21		1 60	MH	Abut	84	1
2513C	Diff. case—right (no bushing used)	1914-21		1 00	MH	Ache	81	1
2514	Diff. case stud	1909-15	$\frac{3}{8}$ " x $2\frac{3}{4}$ "	05		Arcadian	52	3
2514B	Diff. case stud	1915-21	$\frac{3}{8}$ " x $2\frac{3}{4}$ "	05		Ale	2865	3
2515	Diff. case stud nut	1909-21	Used on 2514-2514B	03		Egret	8	3
2518	Diff. drive gear	1909-21	40 teeth	3 50	MH	Accost	12B	1
2519	Diff. drive gear screw	1909-21	$\frac{5}{8}$ " x $\frac{1}{2}$ "	05		Accoy	103	10
2519A	Diff. gear lock ring	1909-21		03		Acetic	118	2
2520B	Diff. gear	1909-21	24 teeth	1 50	MH	Ace	13B	2
2521B	Diff. gear key	1911-21	$1\frac{1}{2}$ " long	05		Acrid	137	2
2524C	Diff. pinion	1915-21	12 teeth	40	MH	Admire	14D	3
2526B	Diff. spider	1909-21		80	MH	Adduce	15D	1
2528	Diff. thrust washer	1909-21	$3\frac{3}{8}$ " dia. metal	20		Adieu	30	2
2529	Diff. thrust plate	1909-21	$3\frac{3}{8}$ " dia. steel	15	MH	Adjoin	31	4
2530	Diff. thrust plate pin	1909-16	$\frac{1}{4}$ " long	03		Admix	17	4
2531	Diff. thrust plate pin	1909-16	$\frac{1}{8}$ " long	03		Adgase	37	2
2531B	Diff. thrust plate pin	1917-21		03		Age	7640	6
2532	Diff. housing oil plug	1909-21	$\frac{3}{4}$ " x 24 thds.	05		Agger	817	1
2545	Rear axle grease cup	1909-21		10		Ajar	76	2
2547	Rear radius rod	1909-21		2 50		Altar	152	2
2548	Radius rod nut	1909-21	$\frac{5}{8}$ " x 18 thds.	05		Amass	77	2
2549	Radius rod lock nut	1909-21	$\frac{5}{8}$ " 18 thds.	05		Amber	78	2
2550	Radius rod lock washer	1909-21	$\frac{5}{8}$ " x $1\frac{1}{2}$ "	02		Ambush	2823	2
2551	Radius rod bolt	1909-21	$\frac{5}{8}$ " x $1\frac{1}{2}$ "	05		Ampute	83	4
2551B	Radius rod bolt nut	1909-21	Used on 2551	05		Armor	60	4
2557	Hub cam shaft—right	1909-21	$3\frac{1}{2}$ " long	20		Amuck	92B	1
2558	Hub cam shaft—left	1909-21	$3\frac{1}{2}$ " long	20		Anchor	61B	1
2559	Hub cam shaft bushing	1909-21	$\frac{1}{2}$ " bore, $\frac{1}{4}$ " dia.	10		Ancient	173	2
2562	Cam shaft lever	1909-21	$\frac{1}{2}$ " bore	15		Arab	62	2
2563	Cam shaft lever pin	1909-21	$\frac{5}{8}$ " x $\frac{1}{2}$ "	03		Arbor	7	4
2564	Lever clevis pin	1909-21	$\frac{5}{8}$ " x 1"	05		Arcade	65	4
2566	Hub brake shoe	1909-21	Cast iron	40	MH	Arctic	2814	2
2567	Brake shoe support bolt	1909-21	$\frac{1}{2}$ " x $1\frac{1}{2}$ "	05		Argus	59	2
2568	Brake shoe support nut	1909-21	$\frac{1}{2}$ " x 20 thds. (Used on T2567)	05		Armor	60	2
2570B	Brake shoe coil spring	1913-21	$3\frac{3}{8}$ " long	03		Asug	2862	4
2571	UNIVERSAL JOINT ASSEMBLY	1909-21		2 00		Ashore	151B	1
2572	Joint knuckle (male)	1909-21		60		Ashust	45B	1
2573	Joint knuckle (female)	1909-21		70		Askew	46B	1
2574	Joint knuckle pin	1909-21	$\frac{3}{8}$ " x $1\frac{1}{2}$ "	02		Asleep	6	1
2575	Joint ring, complete	1909-21	$3\frac{1}{8}$ " dia.	60		Astert	49B	1
2576	Joint ring rivets (per set)	1909-21	$\frac{1}{4}$ " x $1\frac{1}{8}$ "	05		Atche	50	4
2577	Joint housing	1909-14	$4\frac{1}{8}$ " long	1 50		Atlas	70	1
2577B	Univ. joint housing	1914-21		1 50		Atoll	7609	1
2578	Joint housing plug	1909-21	$\frac{1}{2}$ " x 20 thds.	05		Atom	75	2
2579	Ball joint grease cup	1909-21	$\frac{1}{4}$ " pipe thds.	15		Attric	195	1
2580	Ball cap gasket	1909-21		05		Auburn	1518	1
2581	Drive shaft housing front bushing	1909-21	(1" bore) babbitt. Old No. 2540	40		Balkish	69	1
2582	D. S. tubing	1911-21	$50\frac{3}{4}$ " long	8 00	MH	Ballad	153B	1
*2583B	D. S. bearing housing	1920-21	Forging	2 00	MH	Ballace	191C	1
2584B	D. S. roller bearing cap screw	1912-21	$\frac{1}{2}$ " x $4\frac{5}{8}$ "	05		Balneal	183B	6
2584C	D. S. roller bearing stud nut	1912-21		05		Feast	184R	6

*When ordered to replace malleable type housing also order 2589C.

Of the net amount at which these parts are billed to purchasers who purchase direct from the Ford Motor Company (except parts which show no Tax Status, if any) 20/21 represents the price of the goods and 1/21 represents excise tax.

Insist upon genuine Ford parts

Part No.	Name of Part	Year	Specifications	Price	Tax Status	Code Word No.	Fac. No. per Car	Req.
REAR AXLE - Continued								
2586	D. S. roller bearing housing set screw	1911-21	1/2" x 20 thds.	\$0 05		Banco	101R	1
2587	D. S. roller bearing	1911-21	2 1/2" long	1 50		Balsam	108	1
2588	D. S. roller bearing distance plate	1911-21	2 1/2" dia.	05	MII	Bandlet	106R	1
2589	D. S. ball race	1911-21	2 1/4" dia.	35		Bandon	186R	1
2589B	D. S. ball bearing assembly	1911-21		1 00		Bander	185AR	1
2589C	D. S. thrust bearing assy	1920-21		85		Bane	185B	1
2590	D. S. ball retainer	1911-21	2 1/4" dia.	03		Bandroe	190AR	1
2591	D. S. ball thrust collar	1911-21	2 1/4" dia.	30		Bandault	188	1
2591B	D. S. thrust ball and retainer assembly	1920-21		25		Bandaia	162	1
2592	D. S. ball bearings each	1911-21	Crdr. r 2811	1 90		Bangle	107R	1
2593	D. S. roller bearing sleeve	1911-21	2 1/2" dia., 27" long	4 00	MII	Banjo	87D	1
2595B	D. S. only tapered	1911-21	1 1/2" x 53 1/2"	1 29		Banshee	163B	1
2596	D. sleeve	1911-21	1" bore, 3 1/2" long	1 50	MII	Banewort	16C	1
2597B	D. S. pinion	1911-21	Taper bore, 11 teeth	1 50	MII	Banneret	16D	1
2597C	D. S. pinion	1911-21	Taper bore, 10 teeth	05		Banket	124	1
2598	D. S. castle nut	1911-21	3/4" x 18 thds.	05		Banker	57B	1
2598B	D. S. pinion key	1911-21						
REAR AXLE 60 INCH TREAD								
2600C	Rear axle housing—right	1915-16	Dia. of bell 9 1/4"	12 00	MII	Bang	2728C	1
2601C	Rear axle housing—left	1915-16	Dia. of bell 9 1/4"	12 00	MII	Bard	2729C	1
2602B	Rear axle shaft—tapered	1911-16	1 1/2" x 23 1/2"	3 00	MII	Baptism	2725	2
2604	Rear radius rod	1909-16	3/8" tube only	2 00		Barbett	1726	2
FRONT AXLE								
2691	Front axle only	1909-21	30" tread	19 00	MII	Barber	202B	1
2694B	Spindle body right	1911-21	Less cones and washer	1 50	MII	Barbican	280	1
2695B	Spindle body left	1911-21	Less cones and washer	1 50	MII	Barbiton	281	1
2696	Spindle arm right or left	1911-19		60	MII	Barism	7716	2
2696C	Spindle arm right	1919-21		60	MII	Barm	7715B	1
2696D	Spindle arm left	1919-21		60	MII	Barry	7716B	1
2697	Spindle arm nut	1911-21	Order 2548	2 00	MII	Barkate	203A	1
2702	Spindle assembly right	1909-10		2 00	MII	Barke	204A	1
2703	Spindle assembly left	1909-10		20		Barkless	205	2
2704	Stationary cone	1909-21	1 1/8" bore	20		Barley	206	1
2705	Adjusting cone right thread	1909-21	3/4" x 16 thds., R. T.	20		Barrack	207	1
2706	Adjusting cone left thread	1909-21	3/4" x 16 thds., L. T.	10		Barrow	209B	1
2707	Spindle nut right thread	1909-21	3/4" x 16 R. H. thds.	10		Baron	208B	1
2708	Spindle nut left thread	1909-21	3/4" x 16 L. H. thds.	02		Barras	210	2
2709	Spindle washer	1909-21	3/8" hole x 1 1/2"	25		Barter	7708	2
2710	Spindle bolt with oiler	1910-21	1/2" x 6 3/4"	25		Bartram	223	2
2711	Spindle bolt nut	1909-21	Order 2568	05		Barwood	225	2
2713	Spindle body bush pair	1909-21	1 1/4" for	05		Beard	4081	2
2714	Spindle arm bushing	1909-21	3/8" bore, 1 1/2" dia., 1" L.	05		Bilge	294	2
2715	Spindle oiler	1909-21	Order 3587	05		Basalt	264	1
2715B	Spindle bolt oiler assy.	1915-16		05		Bashful	220	2
2715C	Spindle oiler	1917-18		05		Bashule	248	1
2715D	Spindle oiler	1919-21	Order 2176	25		Baroko	226	1
2717	Spindle con. rod	1909-21	3/8" x 21 1/2"	50		Barse	248B	1
2718	Spindle con. rod bolt with oiler	1909-21	1/2" x 21 1/2"	05		Era	79	1
2719	Spindle con. rod bolt nut	1909-21	3/8" x 20 thds.	03		Egret	8	1
2721	Spindle con. rod yoke ball	1909-18	2 1/2" long	1 00	MII	Baslard	289	1
2721B	Spindle con. rod yoke ball	1919-21		15		Basant	254B	2
2721C	Spindle con. rod yoke	1919-21		2 50	MII	Beardless	263	1
2722	Steering yoke clamp bolt	1909-18		2 50	MII	Bedazle	263B	1
2722B	Steering yoke clamp bolt nut	1909-18	Used on 2722	15		Beaufet	217	1
2725B	Ball socket cap	1909-21	Includes ball sockets	03		Beckon	809B	1
2728	Ball socket bolt and nut	1909-21	Order 2722 & 2722B	03		Beckau	5365	2
2729B	Front radius rod	1909-19		03		Egret	8	2
2733	Front radius rod nut	1909-19		03		Bicep	292	2
2733B	Front radius rod ball cap	1909-19	Order 2548	03		Bechance	1720B	1
2734	Front radius rod ball cap stud	1911-21		03		Becket	1725	1
2736	Front radius rod ball cap stud	1911-21		03		Becloud	2739	1
2737	Front radius rod ball cap stud nut	1911-21	Used on 2711	03				
2741	Radius rod ball cap stud	1911-21		03				
2741B	Radius rod ball cap stud nut	1911-21		03				
2742	Radius rod ball cap spring	1911-21		03				
2760	FRONT AXLE ONLY	1911-16	60" tread	12 00	MII			
2761	Steering spindle con. rod	1909-16	60" tread	3 00	MII			
2762	Steering gear con. rod	1909-16	60" tread, includes ball sockets	1 25	MII			

*When substituting 2721C for old style yoke, also order 2721B Ball.

Of the net amount at which these parts are billed to purchasers who purchase direct from the Ford Motor Company, except parts which have no Tax Status, if any) 20-21 represents the price of the goods and 1/21 represents excise tax.

Insist upon genuine Ford parts

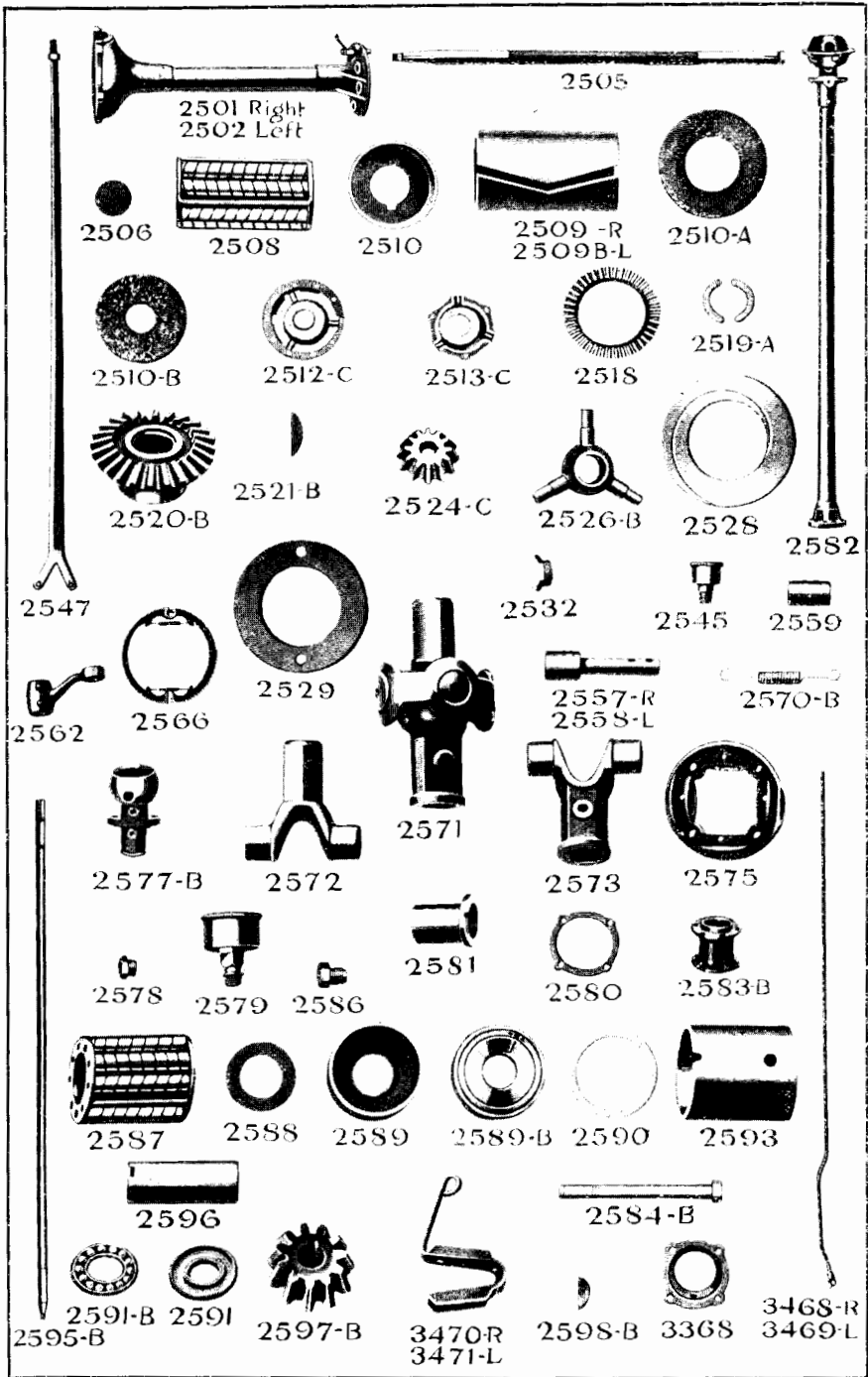


Plate No. 1

Part No.	Name of Part	Year	Specifications	Price	Tax Status	Code Word	Fac. No.	No. per Car	Req.
----------	--------------	------	----------------	-------	------------	-----------	----------	-------------	------

WHEELS

2800	Front wheel	1909-21	30" x 3"	\$10 00		Becomb	291B	2	
2800B	Front wheel—dem.	1919-21	Less rim and brgs., Kelsey	9 25		Baryton	291D	2	
2800C	Front wheel—dem.	1919-21	Less rim and brgs., Hayes	9 25		Baryton	291E	2	
2801	Front wheel comp. R—Demountable	1919-21	Rim and Timken bearings included, Kelsey	14 00		Bereave	7697	1	
2801B	Front wheel comp. R—Demountable	1919-21	Rim and Timken bearings included, Hayes	14 00		Besech	7697B	1	
2802	Front wheel comp. L—Demountable	1919-21	Rim and Timken bearings included, Kelsey	14 00		Behest	7697	1	
2802B	Front wheel comp. L—Demountable	1919-21	Rim and Timken bearings included, Hayes	14 00		Betoken	7697B	1	
2803	Front hub assembly less flange, bolts and nuts	1909-21		2 25		Bedew	200	2	
2803B	Front hub with R B cups	1909-21		2 25		Bedouin	219	2	
2804	Outer race	1909-21	1 1/4" dia.	15		Bedfere	234	2	
2805	Inner race	1909-21	2 1/4" dia.	20		Bedlight	235	2	
2806	Outer ball retainer	1909-21	1 1/4" dia.	02		Bedrim	236	2	
2807	Inner ball retainer	1909-21	2 1/4" dia.	03		Bedside	237	2	
2808	Dust ring	1909-21	Steel 2 1/4" dia.	10		Bedward	238	2	
2809	Front and rear hub felt washer	1909-21	2 1/4" dia.	05		Bedje	239	4	
2810	Large balls, each	1909-21	1 1/4"	04		Beefing	241	24	
2811	Small balls, each	1909-21	3/8"	03		Beemol	249	22	
2814C	Rear wheel—blue (taper hub)	1912-21	30" x 3 1/4"	10 00		Beggah	2815	2	
2814E	Rear wheel comp.—dem.	1919-21	Kelsey	12 00		Begin	7698	2	
2814F	Rear wheel comp.—dem.	1919-21	Hayes	12 00		Behoney	7698B	2	
2814G	Rear wheel—dem.	1919-21	Kelsey	9 25		Bashless	2815B	2	
2814H	Rear wheel—dem.	1919-21	Hayes	9 25		Baskery	2815C	2	
2815C	REAR HUB (TAPERED) less flange, bolts & nuts	1912-21		2 00	MH	Begol	2819	2	
2816B	Rear hub key	1912-21	1/4" x 1/4" x 2 1/4"	05		Begloom	2863	2	
2818	Rear hub brake drum	1909-21	3" hole, 8" dia.	60		Beguiler	3	2	
2819	Hub cap	1909-21	2 1/4" x 2 1/4" thds.	20		Behave	7727	4	
2825	Hub bolt	1911-21	3/8" x 2 1/8" x 16 thds.	03		Belay	28B	24	
2825B	Hub bolt nut	1911-21	Used on 2825.	03		Elk	29	24	
2827	Hub flange	1911-21	6" dia.	30		Bellow	233B	4	
2828	Rear hub lock nut	1912-21	5/8" x 18 thds.	06		Bengal	242	2	
2833	Front hub bearing cup—inner	1919-21		70		Benip	2955	2	
2834	Inside spindle cone and roller assembly	1919-21		1 10		Bent	205B	2	
2836	Front hub bearing cup—outer	1919-21		60		Bepad	2956	2	
2837	Outside spindle cone and roller assembly—right thread	1919-21		75		Beplay	206B	1	
2838	Outside spindle cone and roller assembly—left thread	1919-21		75		Beplume	207B	1	
2841	Front hub dust capassy	1919-21		10		Beunk	350	2	
2845	Demountable rim only	1919-21	Kelsey	2 40		Beuthrone	8774	4	
2845B	Demountable rim only	1919-21	Hayes	2 40		Bejape	8774B	4	
2846	Demountable rim clamp	1919-20	Kelsey	10		Beitime	8831	16	
2846B	Demountable rim clamp	1919-21	Kelsey	10		Betor	8831B	16	
2847	Demountable rim bolt	1919-21		05		Bewax	8832	16	
2848	Dem. rim bolt nut	1919-21	Hayes	05		Benison	8834B	16	
2848B	Dem. rim bolt nut	1919-21	Kelsey	05		Belabor	8834	16	
2849	Spare rim carrier	1919-21		3 00	MH	Belamy	8848-7510	1	

FRAME

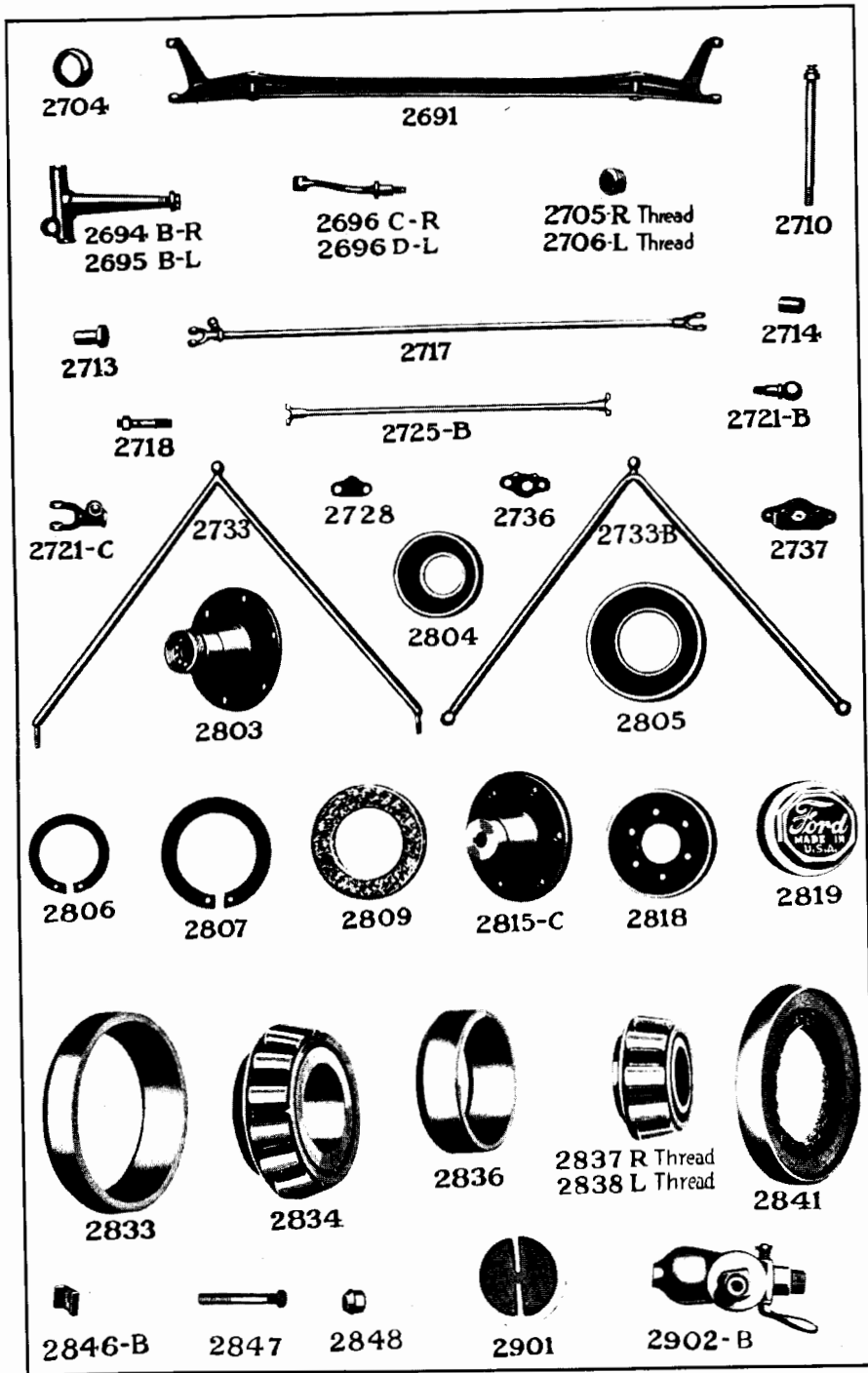
2850	Frame assembly	1909-21		13 00	MH	Belone	2916	1	
2851B	Side member—right	1914-21		4 00		Benign	2914	1	
2852B	Side member—left	1914-21		4 00		Berdash	2915	1	
2853	Front cross member	1909-21	22 1/4" long	1 00		Beluga	303	1	
2854B	Rear cross member	1914-21		1 40		Bendlet	2913	1	
2855	Front corner bracket—right	1909-21		15		Benumb	305	1	
2856	Front corner bracket—left	1909-21		15		Bequest	306	1	
2857	Rear corner bracket—right	1909-21		15		Besiege	307	1	
2858	Rear corner bracket—left	1909-21		15		Bespawl	308	1	
2859	Frame front end spacer—left	1909-21		10		Benzoin	318B	1	
2860	Frame front end spacer—right	1909-21		10		Bestial	319B	1	
2863	Body bracket	1909-21	On frame	15		Bestow	344	4	

GASOLINE TANK

2900B	Gas tank	1916-21	Sedan	7 00	MH	Binocle	7950	1	
2900C	Gasoline tank	1909-21	Elliptical	5 00	MH	Biacid	1303B	1	
2901	Filling plug	1909-21	2 1/2"	10		Biblist	1317	1	
2902B	Sediment bulb	1909-21	With pet cock	1 00		Bickers	2088	1	
2908	Pet cock	1909-21	Order 3079						

Of the net amount at which these parts are billed to purchasers who purchase direct from the Ford Motor Company (except parts which show no Tax Status, if any) 20/21 represents the price of the goods and 1/21 represents excise tax.

Insist upon genuine Ford parts



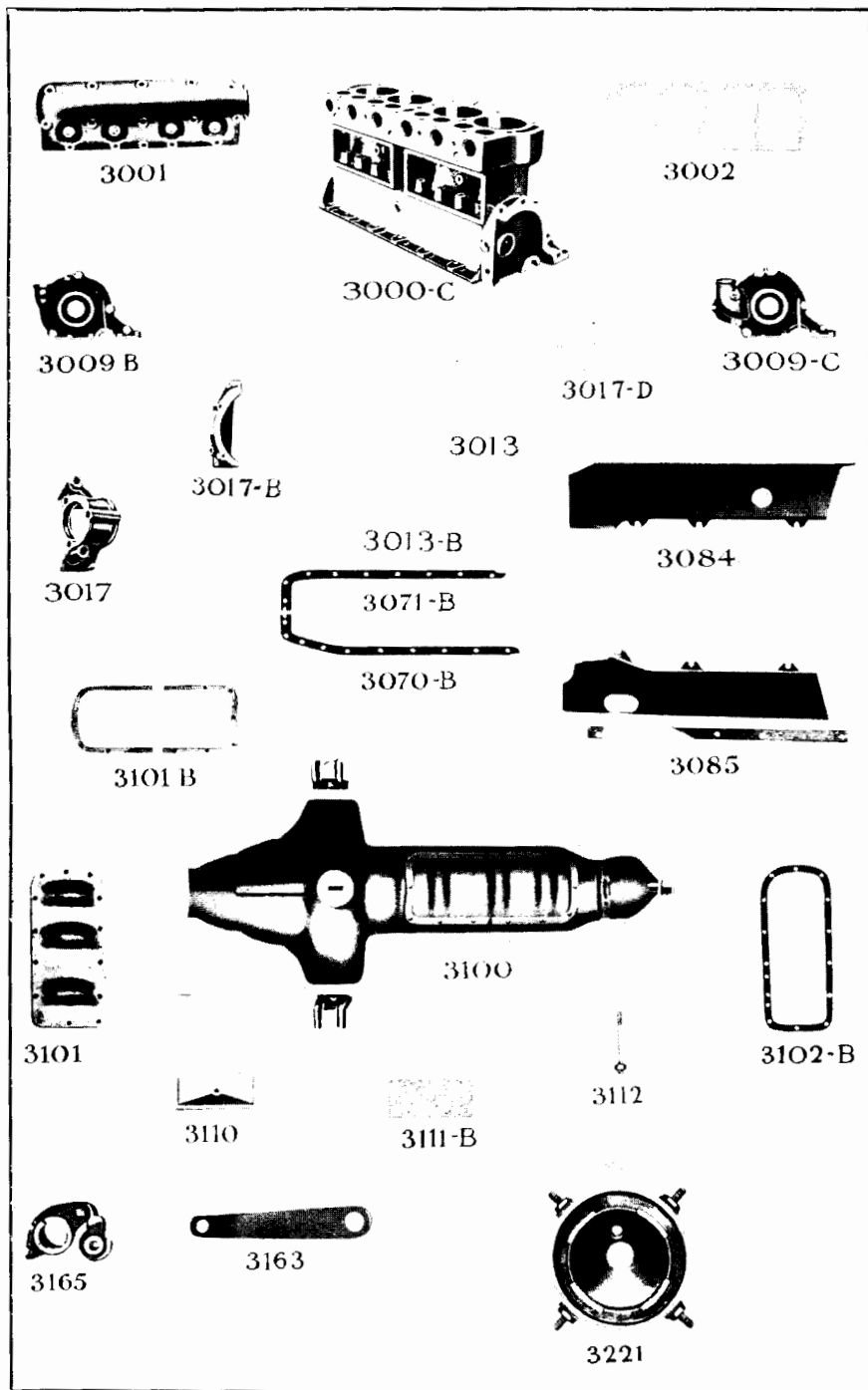


Plate No. 3

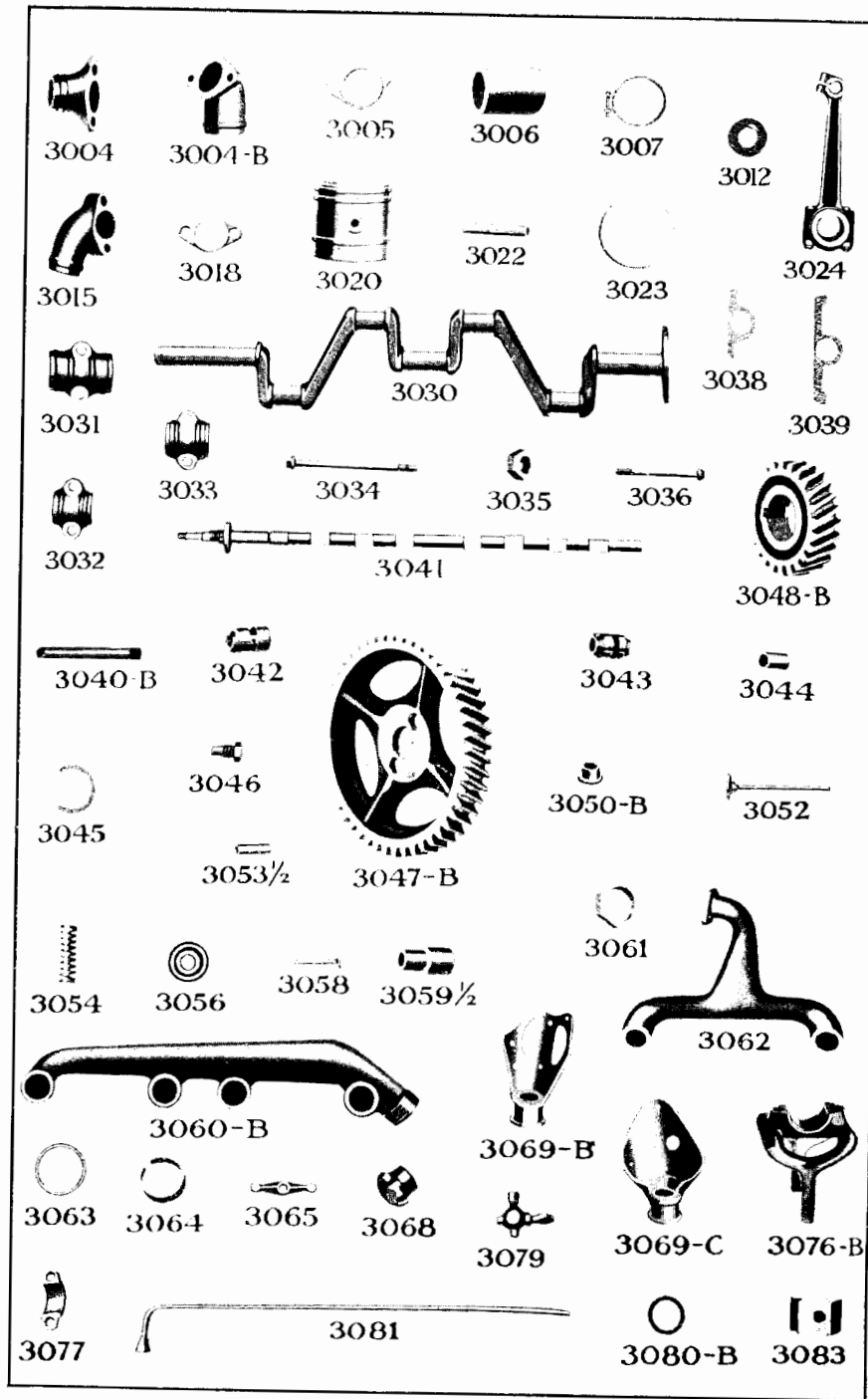


Plate No. 4

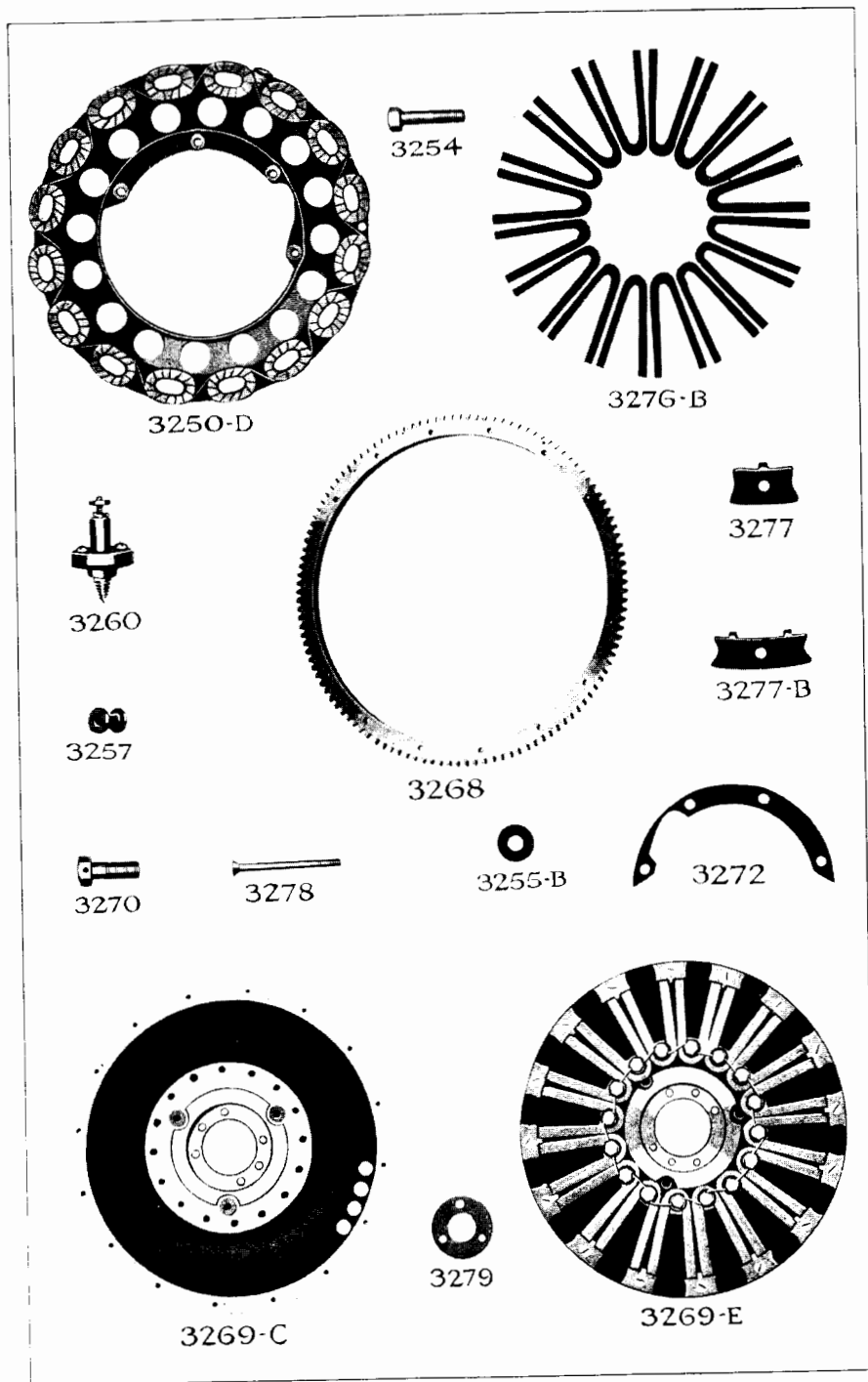


Plate No. 5

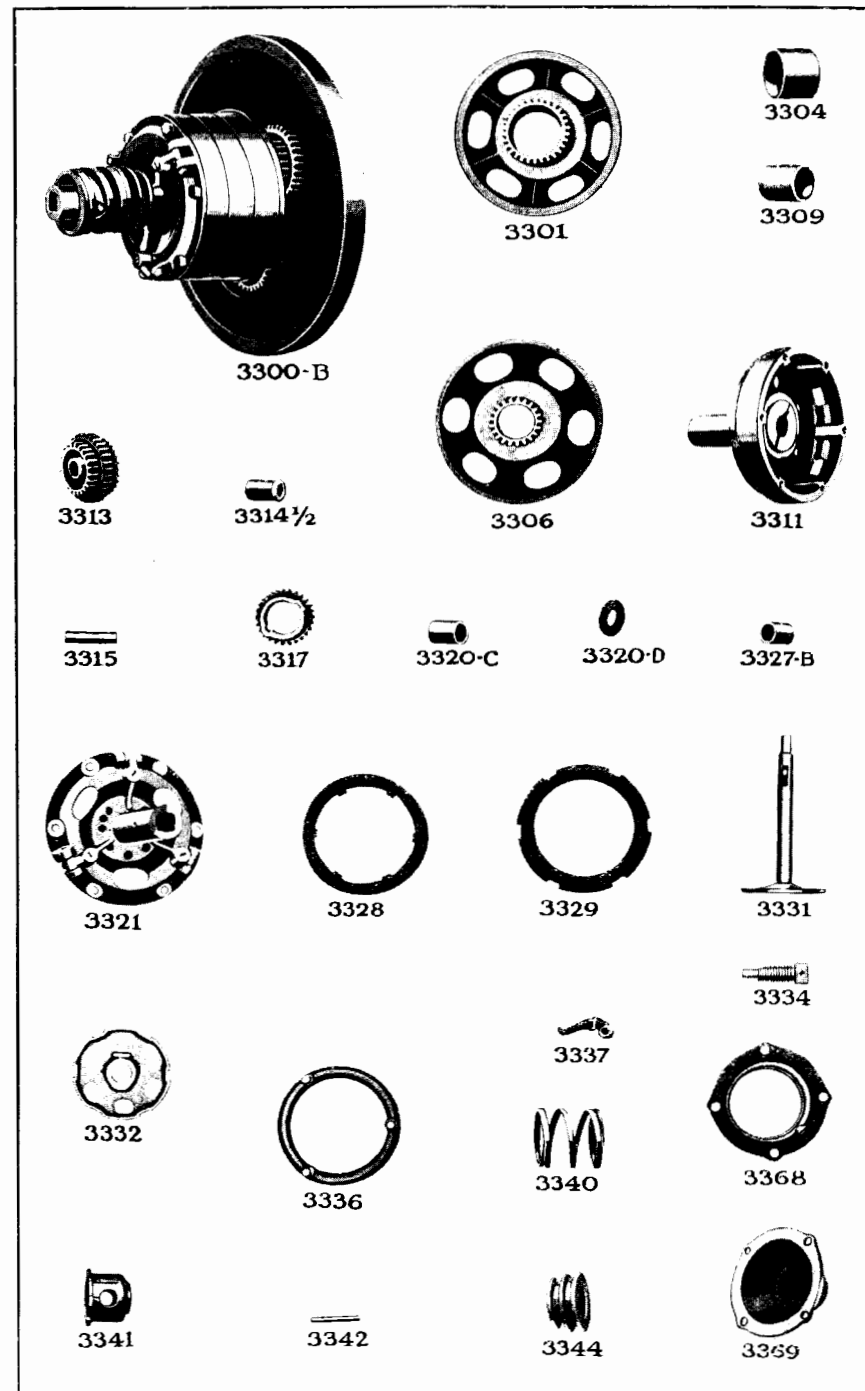


Plate No. 6

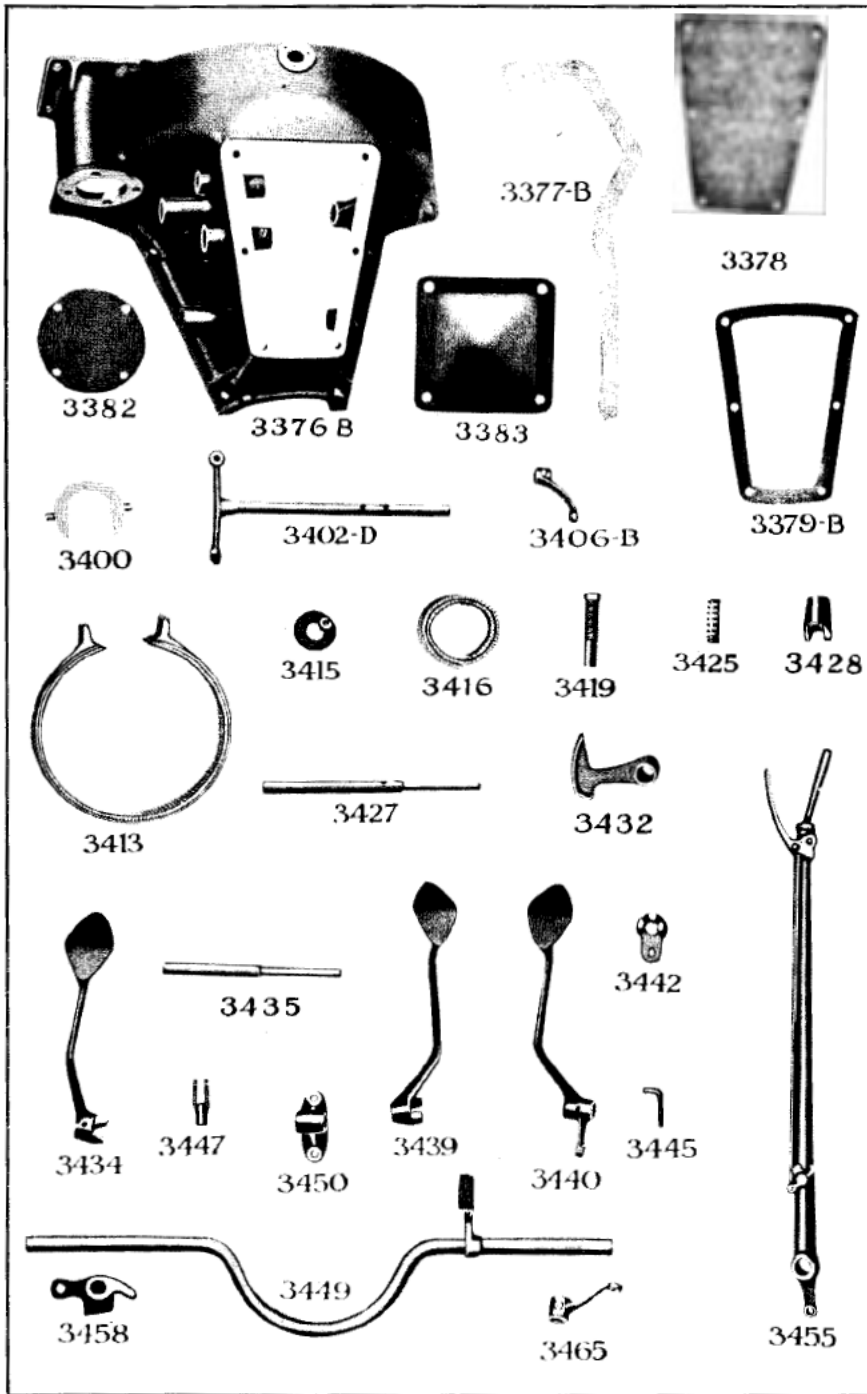


Plate No. 7

Part No.	Name of Part	Year	Specifications	Price	Tax Status	Code Word	Fac. No.	Req. per Car
----------	--------------	------	----------------	-------	------------	-----------	----------	--------------

TRANSMISSION CONTROL—Continued

3420	Trans. band adjusting screw nut	1909-21	3/4" x 16 thds.	\$0 05		Disimb	1532	1
3421B	Trans. band ear iron rivet, per doz.	1909-21	1/8" x 3/8"	05		Dismal	843	12
3422B	Trans. band brass rivet, per doz.	1909-17	1/8" x 3/8"	05		Dismast	844B	6
3423B	Trans. band brass rivet, per doz.	1909-21	1/8" x 1/8"	05		Dismaw	845B	18
3425	Trans. band spring	1909-21	Coil	05		Dispark	841B	3
3426	Trans. band adjusting nut	1909-21	1/8" x 20 thds.	05		Displat	851	2
3427	Slow speed shaft	1909-21	5/8" x 9 5/8"	15		Disputz	848B	1
3428	Slow speed notch	1909-21	On slow speed shaft	30		Distrand	4327	1
3429	Slow speed notch pin	1909-21	1/4" x 1 1/2"	02		Disrobe	1560	1
3432	Speed lever	1909-21		10		Distaff	862B	1
3434	Reverse pedal	1909-21		60	MH	Distring	4324	1
3435	Brake and rev. pedal shaft support	1909-21	5/8" dia. x 7 1/2"	15		Distrite	349B	2
3436	Brake and rev. pedal support bolt	1909-21		20		Distune	4325	2
3437B	Brake and rev. pedal support bolt nut	1909-21	3/8" x 1 1/2"	05		Ditcher	1534	2
3439	Brake pedal	1909-21	Used on 3437	03		Egret	8	2
3440	Clutch pedal	1909-21		60	MH	Dirtost	4323	1
3441	Pedal pin	1909-21	Order 3405	60	MH	Ditty	854B	1
3442	Clutch pedal support	1909-21		20		Doekad	4326	1
3443	Clutch pedal support bolt	1909-21	3/8" x 2"	05		Doorga	1536	1
3443B	Clutch pedal support bolt nut	1909-21	Used on 3443	03		Egret	8	1
3445	Slow speed connection	1909-21		05		Doree	1540	1
3446	Slow speed con. lock nut	1909-21	1/8" x 2 1/2 thds.	02		Doric	44	1
3447	Slow speed con. clevis	1909-21		10		Dormer	802	1
3448	Controller quadrant	1909-21	On frame	20		Dormouse	309B	1
3449	CONTROLLER SHAFT WITH SPEED LEVER	1909-21		80	MH	Doron	1557	1
3450	Controller shaft bracket	1909-21	On frame	15		Dorrer	311	2
3452	Controller shaft bracket bolt	1909-21		03		Fog	315	4
3452B	Controller shaft bracket bolt nut	1909-21	Used on 3452	02		Frolic	316	4
3455	HAND BRAKE LEVER ASSEMBLY	1909-21		1 50	MH	Dotant	1550	1
3456B	Hand brake lever pin	1909-21	Order 2574	05		Doublet	874	1
3457	Hand brake lever key	1909-17		10		Doucet	875	1
3458	Hand brake lever pawl	1909-21		02		Doura	877	1
3459	Hand brake lever pawl pin	1909-21	1/8" x 1 1/2"	02		Dovecore	877	1
3460	Hand brake lever pawl rod	1909-21		15		Dovekie	4363	1
3462	Hand brake lever pawl lift assembly	1909-21	Handle and spring	02		Dawcet	888	1
3463	Hand brake lever pawl lift spring	1909-21		20		Dawdy	864	1
3465	HUB BRAKE LEVER ON CONTROLLER SHAFT	1909-21		60	MH	Drongo	891B	1
3466	Hub brake lever pin	1909-21	Order 3405	60	MH	Dropax	1513B	1
3467	Hub brake lever clevis	1909-21	2 1/8", Order 3447	10		Dropsy	1367	1
3468	Hub brake pull rod—right	1909-21	5 1/2" long	10		Druggar	1398	1
3469	Hub brake pull rod—left	1909-21	5 1/2" long	03		Method	1308	2
3470	Hub brake rod support—right	1909-21		02		Missive	1309	2
3471	Hub brake rod support—left	1909-21		10				
3472	Hub brake rod support bolt	1909-21	3/4" x 1 1/2"	03				
3472B	Hub brake rod support bolt nut	1909-21	Used on 3472	02				

STEERING GEAR

3500C	Steering gear assembly	1911-21	51" long	11 00	MH	Estopped	5042	1
3501C	Steering gear rim	1920-21	16"	1 20		Estuary	901C	1
3502	Steering gear rim screw	1909-21	No. 12, 3/4"	02		Eblis	6849	4
3503D	Steering gear spider	1920-21	16"	80		Etagere	902C	1
3503E	Steering gear spider and rim	1909-21	16"	2 60	MH	Eulogic	995A2	1
3504	Steering gear cover	1909-21	2 1/2" x 18 thds.	35		Echole	5039	1
3505	Steering gear cover screw	1909-21	No. 6, 3/2 x 5"	02		Eccope	910	1
3506	Steering gear cover bushing	1909-21	1" long, steel	15		Echo	914	1
3506B	Steering gear driving pinion washer	1909-21	Steel	02		Elf	5026	1
3507	Steering gear internal gear case and bushing	1909-21		1 25		Egg	5036	1
3509	Steering gear quadrant	1909-21		15		Ectype	906B	1

Of the net amount at which these parts are billed to purchasers who purchase direct from the Ford Motor Company (except parts which show no Tax Status, if any) 20/21 represents the price of the goods and 1/21 represents excise tax.

Insist upon genuine Ford parts

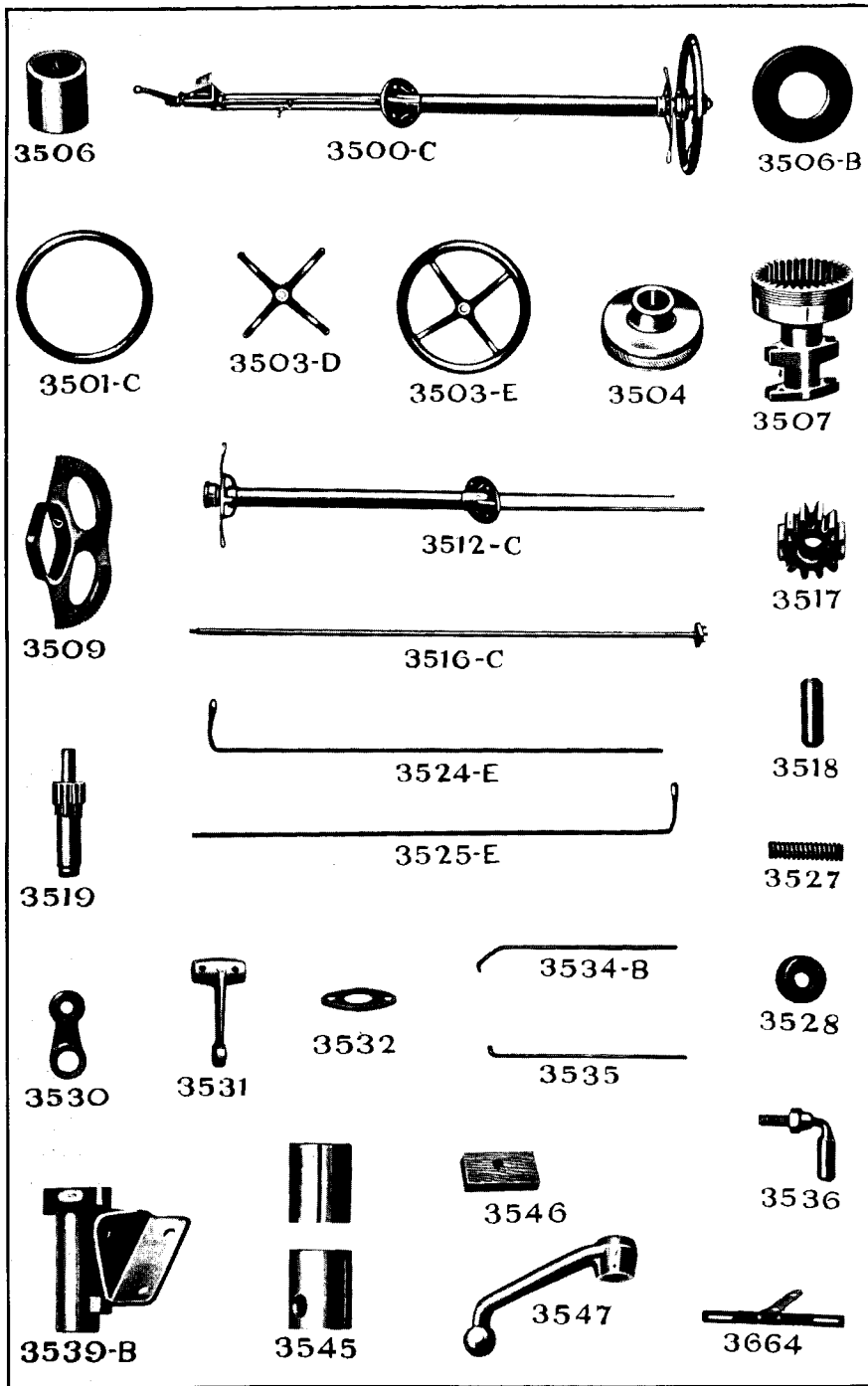


Plate No. 8

Part No.	Name of Part	Year	Specifications	Price	Tax Status	Code Word	Fac. No.	Req. per Car
STEERING GEAR—Continued								
3510	Steering gear quadrant rivet	1909-21	$\frac{5}{16}$ " x $1\frac{1}{4}$ "	\$0 01		Eden	5041	2
3511	Steering gear wheel nut	1909-21	$\frac{3}{8}$ " x 16 thds.	15		Edict	913	1
3512C	Steering gear tubing assembly	1912-21	Applies to No. 3500C	4 50		Ethicer	5016	1
3513B	Steering tubing flange screw	1913-16	$\frac{1}{8}$ " x $1\frac{1}{8}$ "	03		Ethule	5019	1
3513C	Steering tubing flange screw	1913-21	$\frac{1}{8}$ " x $1\frac{1}{8}$ "	03		Platter	5018	3
3514	Steering tubing flange screw nut	1913-21	Used on 3513B and C	02		Harrow	926	
3516C	Steering gear post	1912-21	Applies to No. 3500C	2 00		Estricked	5043	1
3517	Steering gear pinions, ea.	1909-21	12 teeth	15		Egad	916	3
3518	Steering gear pinion pin	1909-21	$\frac{3}{8}$ " x $1\frac{1}{8}$ "	03		Egest	917	3
3519	Steering gear drive pinion	1909-21	12 teeth	30		Egger	911	1
3520	Steering gear drive pinion key	1909-21	$\frac{1}{8}$ " sq. x $\frac{3}{16}$ "	03		Egma	909	1
3523	Steering gear post castle nut	1909-21	Order 2568					
3524E	Throttle rod	1912-21	$\frac{1}{4}$ " x $\frac{1}{2}$ "	40		Euter	5038	1
3525E	Lead rod	1912-21	$\frac{1}{2}$ " x $\frac{1}{2}$ "	40		Evans	5037	1
3527	Lead and throttle rod spring	1909-21		03		Elite	935	2
3528	Lead and throttle rod collar	1909-21	$\frac{1}{8}$ " bore x $\frac{1}{8}$ "	02		Elope	936	2
3529	Lead and throttle rod pin	1909-21	$\frac{1}{8}$ " x $\frac{1}{8}$ "	01		Elvan	937	5
3530	Lead rod lever	1909-21		15		Embank	946	1
3531	Throttle rod lever	1909-21		15		Ember	947	1
3532	Lead and throttle rod guide	1909-21	$\frac{3}{4}$ " bore	05		Emblem	938	1
3534B	Commutator pull rod	1912-21		10		Embrace	2082	1
3535	Carburetor pull rod	1909-21	14 $\frac{1}{16}$ " long	10		Emboss	1329	1
3536	Ball and socket joint	1909-21		10		Embraid	1326	1
3537	Ball and socket joint nut	1909-21	$\frac{1}{8}$ " x 32 thds.	02		Embrute	1327	1
3539B	Steering post bracket with bushing	1911-21	Touring	90		Eupon	996	1
3539C	Steering post bracket with bushing	1918-21	Truck—Old No. 1105	90		Dream	TT996	1
3540	Steering post bracket bolt and nut—long	1909-21	Order 3073 & 3074B					
3541	Steering post bracket bolt and nut—short	1911-21	Order 3074 and 3074B					
3544	Steering post bracket felt washer	1909-21		03		Endow	943	1
3545	Steering post bracket bushing	1909-21	$\frac{3}{4}$ " bore, brass, 2 pieces	20		Envault	944-5027	1
3546	Steer. post bracket block	1909-21	Wood	10		Empact	945	1
3546B	Steer. post bracket block	1918-21	Truck—Old No. 1106	05		Drift	TT945	1
3547	Steering gear ball arm	1909-21		50		Eparch	929B	1
3548	Steering gear ball arm key	1909-21		05		Ephod	930	1
3549	Steering gear bracket dust cap	1918-21	Truck—Old No. 1107	05		Drum	TT5044	1
BODY PARTS								
3601B	Body bracket on body	1910-21	Center and rear	10		Fabric	1624	6
3602D	Body bracket con. bolt		$\frac{1}{8}$ " x $\frac{1}{2}$ "	03		Poach	5653	6
3602E	Body bracket con. bolt	1916-21	$\frac{1}{8}$ " x $1\frac{1}{8}$ "	03		Pilgrim	2431	6
3602F	Body bracket con. bolt nut	1916-21	Used on 3602D and E	03		Bashful	220	
3624E	Front floor rubber mat	1915-21	28 $\frac{1}{4}$ " x 29 $\frac{1}{8}$ " Tr. & Rb't	2 00		Faith	7299	1
3626B	Floor board (first)	1915-21	Tour. R'nab't & Coupel't	60		Farm	7296	1
3626C	Floor board with plate (first)	1915-21		70		Farrago	4200	
3627B	Floor board (second)	1915-21	Tour. Runab't & Coupel't	60		Faro	7297	1
3627C	Floor board with plate (second)	1915-21		70		Fascia	4201	
3628	Floor board (third)	1915-21	Specify size	70		Fascas	1404B	1
3628B	Floor board with plate (third)	1915-21		80		Fascine	7104	
3630	Floor board forward plate for pedals	1909-21	2 $\frac{1}{8}$ " x 3 $\frac{1}{8}$ "	10		Fateful	1400C	1
3632	Floor board rear plate for pedals	1909-21	2 $\frac{1}{8}$ " x 4 $\frac{7}{8}$ "	10		Father	1095C	1
3633	Floor board plate for side lever	1909-21	2 $\frac{3}{8}$ " x 8 $\frac{3}{4}$ "	10		Fathom	1094B	1
3634D	Dash	1913-14	21 $\frac{1}{2}$ " x 32 $\frac{1}{2}$ "	6 25		Flamgo	5336	1
3634E	Dash	1915-16		3 50		Fleet	7462	1
3634G	Dash	1917-21		3 00		Fringe	8754	1
3638B	Dash shield	1919-21		10		Faubage	5432B	1
3639	Dash weather trip—side	1917-21		05		Flicker	8747	2
3639B	Dash weather strip—top	1917-21		20		Floren	8752	1
*3640C	Dash bracket—left	1917-21		20		Foal	8722	1
*3641C	Dash bracket—right	1917-21		20		Fowl	8721	1

*When used on 1911-16 cars redrill frame.

Of the net amount at which these parts are billed to purchasers who purchase direct from the Ford Motor Company (except parts which show no Tax Status, if any) 20-21 represents the price of the goods and 1/21 represents excise tax.

Insist upon genuine Ford parts

Part No.	Name of Part	Year	Specifications	Price	Tax Status	Code Word	Fac. No.	No. per Car	Req. per Car
----------	--------------	------	----------------	-------	------------	-----------	----------	-------------	--------------

BODY PARTS—Continued

3642B.	Dash bracket to dash bolt.	1917-21		\$0 03		Rodent.	8740	4	
3642C.	Dash bracket to dash bolt nut.	1917-21	Used on 3642B.	02		Harrow	926	4	
3645.	Dash bracket to dash bolt.	1909-16	$\frac{1}{8}$ " x $1\frac{1}{4}$ " x 18 thds.	03		Favos.	2427	2	
3645B.	Dash bracket to dash bolt nut.	1909-16	Used on 3645.	02		Gram	341	2	
3653B.	Dash to body brkt. bolt.	1915-21	Touring car.	03		Planet.	4248	2	
3653C.	Dash to body brkt. bolt nut.	1915-21	Used on 3653B.	02		Gram	341	2	
3654.	Dash to body gasket.	1918-21		05		Feaze.	8769		
3660C.	Tail lamp and license bracket assembly.	1915-21	Touring car, Sedan, Town car.	50		Flour.	7506	1	
3660D.	Tail lamp and license bracket assembly.	1915-21	Runabout and 1916-17 Coupelet.	40		Flute.	7505	1	
3662.	Front license bracket-R.	1920-21		10		Fluffy	287	1	
3663.	Front license bracket-L.	1920-21		10		Fluently	288	1	
3664.	Front license bracket.	1921		15		Fluxion.	493	1	
3667E.	Rear seat cushion.	1909-21		7 50	MH.	Farce.	8076	1	
3670D.	Rear seat cushion.	1909-21		7 50	MH.	Forum.	7032	1	
3676B.	Tonneau mat.	1911-21	30" x 28" wool.	1 60		Flatus.	1606B	1	

SPRINGS

3800.	Front spring.	1909-21		3 20	MH.	Gadan.	332	1	
3801.	First leaf (main leaf).	1909-21		90		Golf.	2943	1	
3802B.	Second leaf.	1909-21		65		Goose.	2935	1	
3803.	Third leaf.	1909-16	Tapered ends.	50		Gaddish.	356	1	
3803B.	Third leaf.	1916-21	Square ends.	50		Gopher.	2936	1	
3804.	Fourth leaf.	1909-16	Tapered ends.	40		Gadoid.	357	1	
3804B.	Fourth leaf.	1916-21	Square ends.	40		Gosling.	2937	1	
3805.	Fifth leaf.	1909-16	Tapered ends.	35		Gallic.	358	1	
3805B.	Fifth leaf.	1916-21	Square ends.	35		Gossip.	2938	1	
3806.	Sixth leaf.	1909-16	Tapered ends.	30		Gatlo.	359	1	
3806B.	Sixth leaf.	1916-21	Square ends.	30		Gothic.	2939	1	
3807.	Seventh leaf.	1909-16	Tapered ends.	25		Gaiter.	360	1	
3807B.	Seventh leaf.	1916-21	Square ends.	25		Gaily.	2947	1	
3808.	Front spring clip.	1909-21		25		Gatena.	325C	2	
3809.	Front spring clip nut.	1909-21	Order 2568.						
3810.	Front spring clip bar.	1921		30		Gallate.	342	1	
3811.	Front spring tie bolt.	1909-21	$\frac{1}{8}$ " x $2\frac{1}{4}$ "	40		Galley.	1362	1	
3811B.	Front spring tie bolt nut.	1909-21	Used on 3811.	02		Galleon.	1363	1	
3813.	Front spring hanger.	1909-21	Each	20		Gambit.	246B	4	
3815.	Front and rear spring hanger nut.	1909-21	Order 2719.						
3817.	Front and rear spring hanger oiler.	1909-16		05		Gamin.	218	8	
3818.	Front spring perch-right.	1909-19		70	MH.	Gamut.	274	1	
3818B.	Front spring perch-right.	1919-21		70	MH.	Garret.	274B	1	
3819.	Front spring perch-left.	1909-19		70	MH.	Gander.	275	1	
3819B.	Front spring perch-left.	1919-21		70	MH.	Gastar.	275B	1	
3820.	Front spring perch bushing.	1909-21	$\frac{3}{16}$ " x $1\frac{1}{4}$ "	05		Gangue.	230	4	
3821.	Front spring perch nut.	1909-21	$\frac{3}{8}$ " x 18 thds. Order 2828.	06		Garbie.	240	1	
3821B.	Front spring perch nut.	1921		10		Gannet.	262	1	
3823.	Front spring leather.	1909-21	$1\frac{1}{2}$ " x $5\frac{1}{2}$ "	9 00	MH.	Ganoid.	333	1	
3824.	REAR SPRING.	1909-21	56" tread, 8 leaf.	1 70		Gantlope.	361	1	
3825.	First leaf (main leaf).	1909-19	Tapered ends.	1 70		Gallop.	355	1	
3825B.	First leaf (main leaf).	1918-21		1 55		Gantois.	362	1	
3826.	Second leaf.	1909-19	Tapered ends.	1 55		Galore.	362B	1	
3826B.	Second leaf.	1918-21	Square ends.	1 40		Ganza.	363	1	
3827.	Third leaf.	1909-19	Tapered ends.	1 40		Garnish.	363B	1	
3827B.	Third leaf.	1918-21	Square ends.	1 25		Gaphare.	364	1	
3828.	Fourth leaf.	1909-19	Tapered ends.	1 25		Gander.	364B	1	
3828B.	Fourth leaf.	1918-21	Square ends.	1 10		Garden.	365	1	
3829.	Fifth leaf.	1909-19	Tapered ends.	1 10		Genus.	365B	1	
3829B.	Fifth leaf.	1918-21	Square ends.	1 00		Garland.	366	1	
3830.	Sixth leaf.	1909-19	Tapered ends.	1 00		Ghaul.	366B	1	
3830B.	Sixth leaf.	1918-21	Square ends.	90		Garlic.	367	1	
3831.	Seventh leaf.	1909-19	Tapered ends.	90		Giant.	367B	1	
3831B.	Seventh leaf.	1918-21	Square ends.	85		Gimlet.	368B	1	
3832B.	Eighth leaf.	1909-21	Square ends.	25		Game.	326	2	
3833.	Rear spring clip.	1909-21		10		Gascon.	329	2	
3834.	Rear spring clip nut.	1909-21	Order 2748.	05		Gastric.	1352	1	
3835.	Rear spring clip bar.	1909-21	$\frac{3}{8}$ " x $1\frac{1}{4}$ " x 4" x $\frac{1}{8}$ "	02		Gauffer.	1353	1	
3837.	Rear spring tie bolt.	1909-21	$\frac{3}{8}$ " x $2\frac{1}{8}$ "	20		Gaulus.	91	B	4
3837B.	Rear spring tie bolt nut.	1909-21	Used on 3837.	10		Gavel.	94	1	
3840.	Rear spring hanger.	1909-21	Each	50	MH.	Gavot.	2804	2	
3842.	Rear spring leather pad.	1909-21	$2\frac{1}{2}$ " x $10\frac{1}{4}$ "						
3843.	Rear spring perch.	1909-21		05		Gawky.	172	4	
3844.	Rear spring perch bushing.	1909-21	$\frac{5}{16}$ " bore x $\frac{1}{4}$ " dia. x 2"	10		Gazara.	174	2	
3845.	Rear spring perch nut.	1909-21	$\frac{5}{16}$ " x 16 thds.						

Of the net amount at which these parts are billed to purchasers who purchase direct from the Ford Motor Company (except parts which show no Tax Status, if any) 20/21 represents the price of the goods and 1/21 represents excise tax.

Insist upon genuine Ford parts

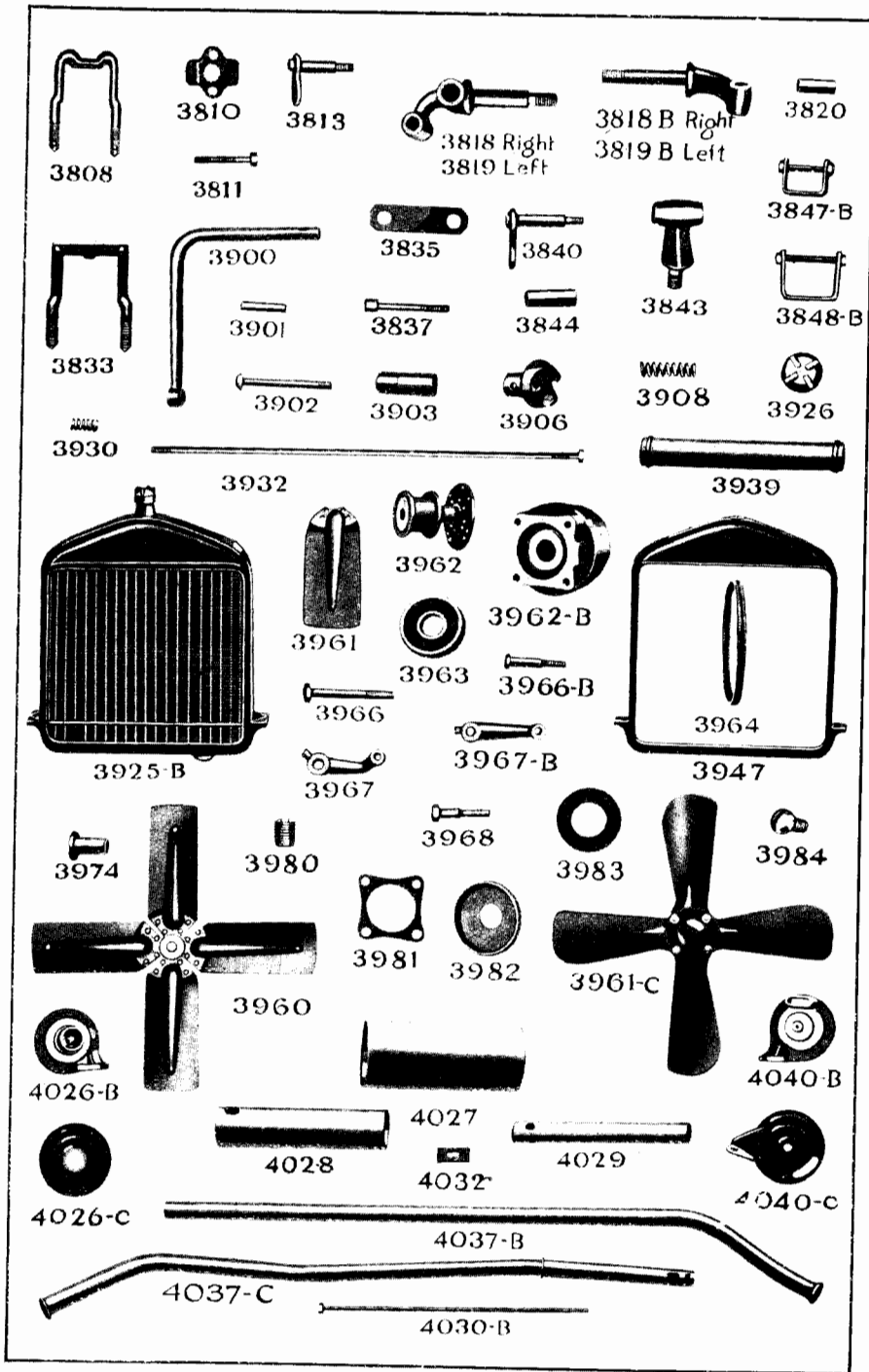


Plate No. 9

Part No.	Name of Part	Year	Specifications	Price	Tax Status	Code Word	Fac. No.	Req. per Car
----------	--------------	------	----------------	-------	------------	-----------	----------	--------------

SPRINGS—Continued

3847	Front spr'g clamp assembly with bolt and nut	1909-16		\$ 0 10		Gazzam	374	2
3847B	Front spr'g clamp assembly with bolt and nut	1916-21	(for 6 leaf spring)	10		Gown	2953	2
3848	Rear spr'g clamp assembly with bolt and nut	1909-17		10		Gecko	376	2
3848B	Rear spr'g clamp assembly with bolt and nut	1918-21		10		Gemmy	378	2

REAR SPRING—60 INCH TREAD

3850	Rear spring	1909-16	48 1/2" long, 8 leaf	9 00	MH	Geddur	1704	1
3851	Rear spring clip	1909-16	1/2" x 4 1/4"	20		Gelder	1737	2
3852	Rear spring tie bolt	1909-16	3/8" x 3 3/4"	10		Gemote	1738	1
3852B	Rear spring tie bolt nut	1909-16	Used on 3852	02		Gaufer	1353	1
3853	First leaf (main leaf)	1909-16		1 80		Gemsbok	1739	1
3854	Second leaf	1909-16		1 60		Gershon	1740	1
3855	Third leaf	1909-16		1 40		Gerper	1741	1
3856	Fourth leaf	1909-16		1 20		Gherkin	1742	1
3857	Fifth leaf	1909-16		1 00		Gibbet	1743	1
3858	Sixth leaf	1909-16		90		Ginger	1744	1
3859	Seventh leaf	1909-16		75		Gipsire	1745	1
3860	Eighth leaf	1909-16		60		Gisarm	1746	1

STARTING CRANK

3900	Starting crank only	1909-21		60		Hernia	519B	1
3901	Starting crank handle	1909-21		20		Heron	520	1
3902	Starting crank handle bolt	1909-21	1/2" x 4 3/4"	10		Herpes	521	1
3903	Starting crank sleeve	1909-21	1 1/2" bore x 1 1/2" x 2 3/4"	10		Hesper	523	1
3905	Starting crank ratchet pin	1909-21	1 3/8"	05		Hestern	4491	1
3906	Starting crank ratchet	1909-21		25		Hetman	528	1
3908	Starting crank spring	1909-21		05		Hilding	626	1
3909	Starting crank handle spring	1915-21		03		Hitter	5911	1

RADIATOR—THERMO-SYPHON

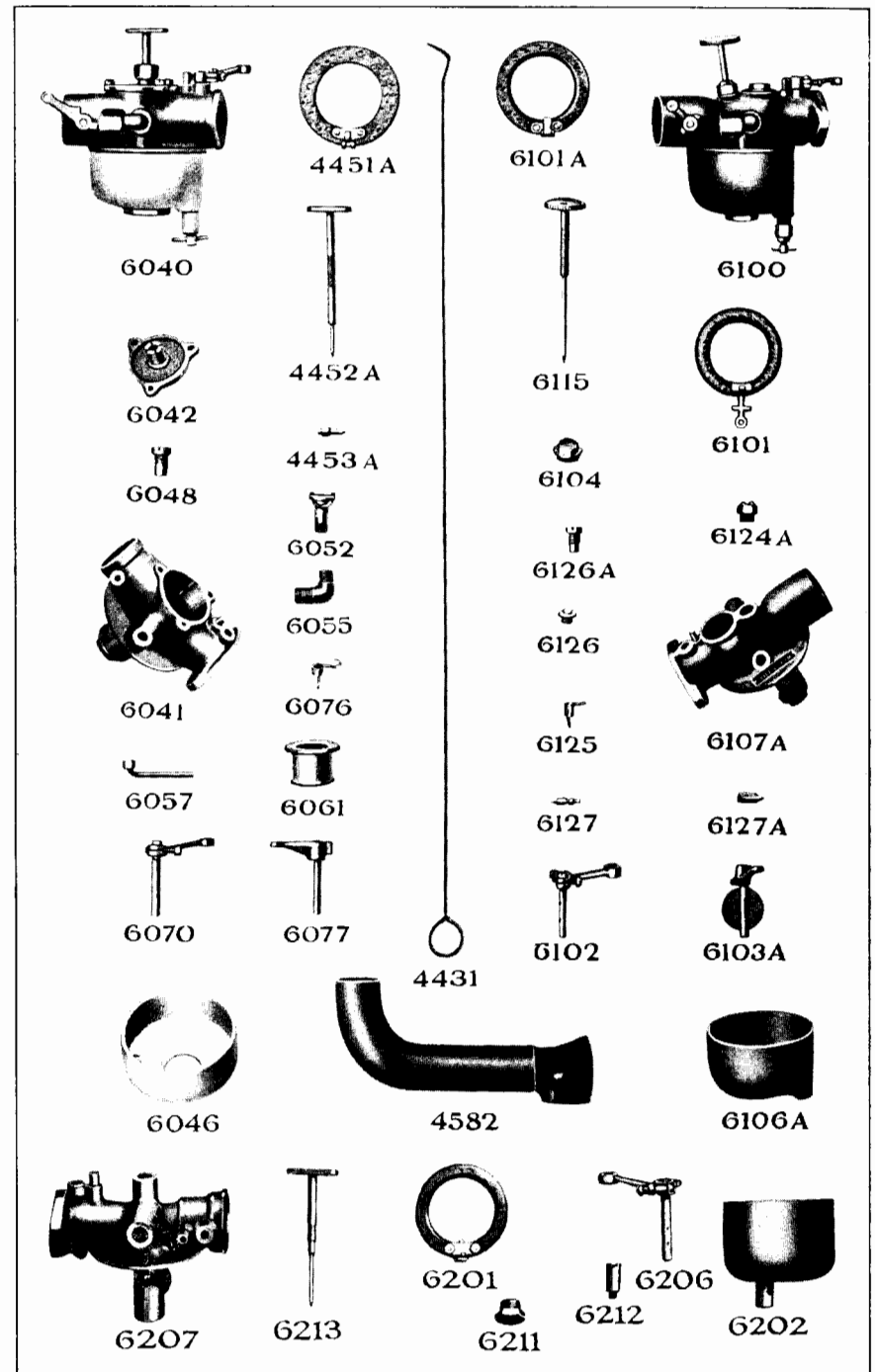
3925	Radiator	1909-16		20 00	MH	Hominy	1100C	1
3925B	Radiator	1917-21		23 00	MH	Honey	8700	1
3925C	Radiator less shell	1917-21		21 50	MH	Hop	8736	1
3926	Radiator cap	1909-21		20	MH	Hothir	8714	1
3928	Radiator pad	1909-19	Leather	05		Hovel	1105	2
3929	Radiator stud	1909-19	3/8" x 2 1/4"	05		Hoxy	1162	2
3929B	Radiator stud	1919-21		05		Hoax	1162B	2
3929C	Radiator stud nut	1909-21	Used on 3929 & 3929B	03		Hive	1154	2
3930	Radiator stud spring	1909-21	Order No. 2742					
3931 1/2	Radiator stud washer nut	1909-21	3/8" x 24 thds	03		Huffish	1161	2
3932	Radiator rod	1909-21	20 3/4" long	15	MH	Huller	1111B	1
3934	Radiator rod nut	1909-21	3/8" x 24 thds	03		Humbler	517	1
3939	Outlet connection pipe	1909-21	1 3/4" x 12"	35		Humic	1121	1
3940	Outlet connection cock	1909-21	Order 3079					
3944	Outlet connection hose	1909-21	1 3/4" x 2 3/4"	10		Hungry	507	2
3945	Outlet connection hose clip	1909-21	2 3/8" dia	05		Hunter	554	4
3947	Radiator shell	1917-19		1 50	MH	Hymn	8737	1
3947B	Radiator shell	1919-21		1 50	MH	Hynnal	8737B	1
3975	Radiator stud spring up-per thimble	1919-21		02		Hump	1115	1
3976	Radiator stud spring lower thimble	1919-21		03		Hurst	1114	1

RADIATOR FAN

3960	Fan and pulley assembly	1909-20		1 50	MH	Hutten	619	1
3961	Fan blade	1909-20		10		Hyades	611	4
3961B	Fan blade rivets, per dozen	1909-20		05		Hyad	1566	16
3961C	Fan blade assy	1920-21		30		Hambe	620	1
3962	Driven fan pulley	1909-20	Brass, upper	80		Hydra	618	1
3962B	Driven fan pulley with bushing	1920-21		80		Jaon	618B	1
3963	Fan drive pulley	1909-20	Steel, lower	30		Hydrant	602	1
3963B	Fan drive pulley	1920-21		20		Hydromel	602B	1
3964	Fan belt	1909-16	23 3/8" long	35		Hydrate	609	1
3964C	Fan belt	1917-20	In carton, 26 1/2" long	35		Impel	609B	1
3964D	Fan belt	1920-21	27 1/2" long	35		Idiom	609C	1
3966	Fan shaft	1909-20	1/2" x 4 1/2"	20		Hyper	606	1
3966B	Fan shaft	1920-21		30		Iasius	606B	1
3967	Fan bracket	1909-16		30		Hypo	604	1
3967B	Fan bracket	1917-21		30		Idyl	604B	1
3968	Fan bracket bolt	1909-21	1/2" x 2 3/8"	15		Hyper	605	1
3970	Fan grease cup	1909-21		10		Hyppish	601	1
3973	Fan adjusting screw	1909-21	3/8" x 1 1/2"	03		Groats	645	1

Of the net amount at which these parts are billed to purchasers who purchase direct from the Ford Motor Company (except parts which show no Tax Status, if any) 20/21 represents the price of the goods and 1/21 represents excise tax.

Insist upon genuine Ford parts



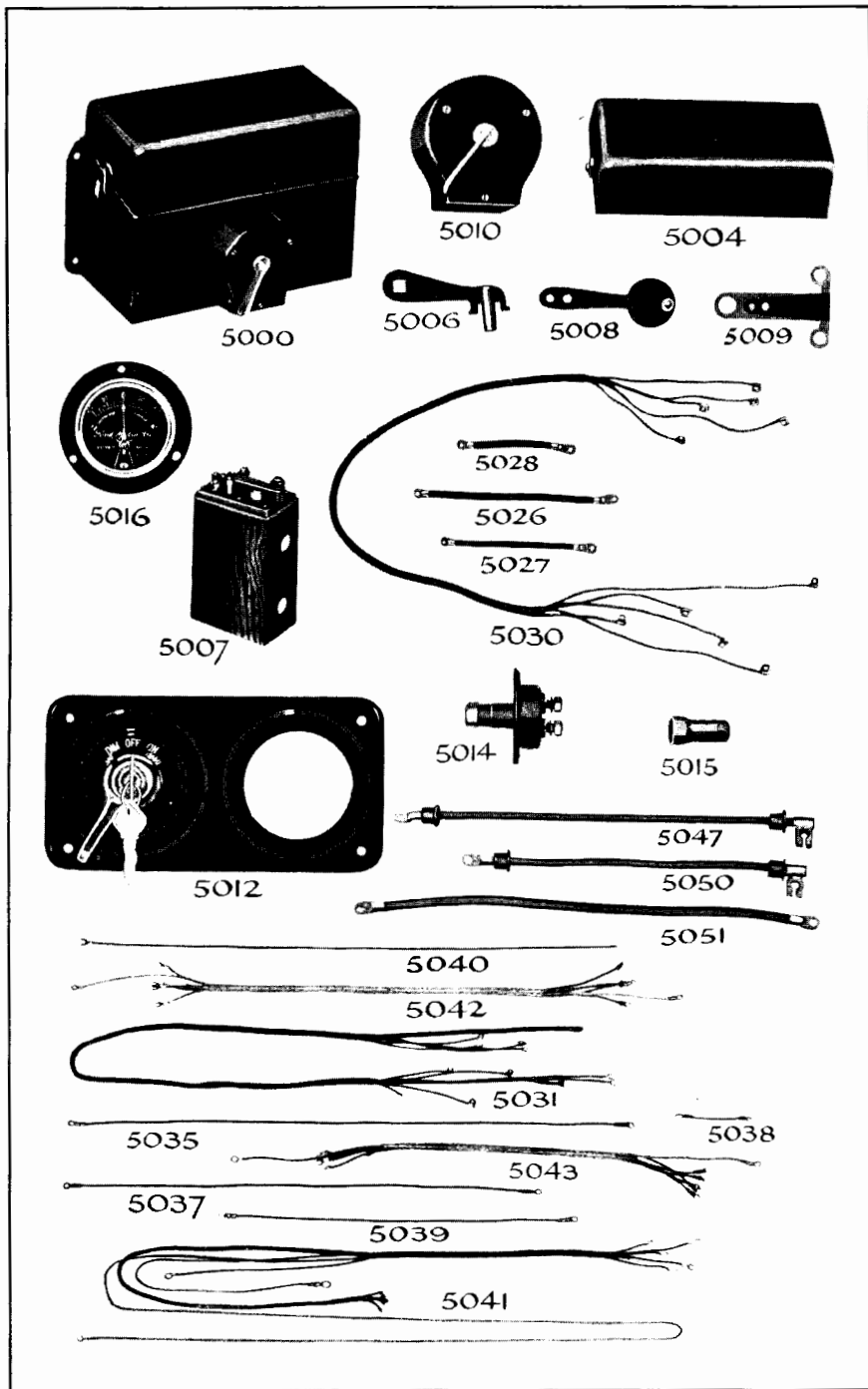


Plate No. 11

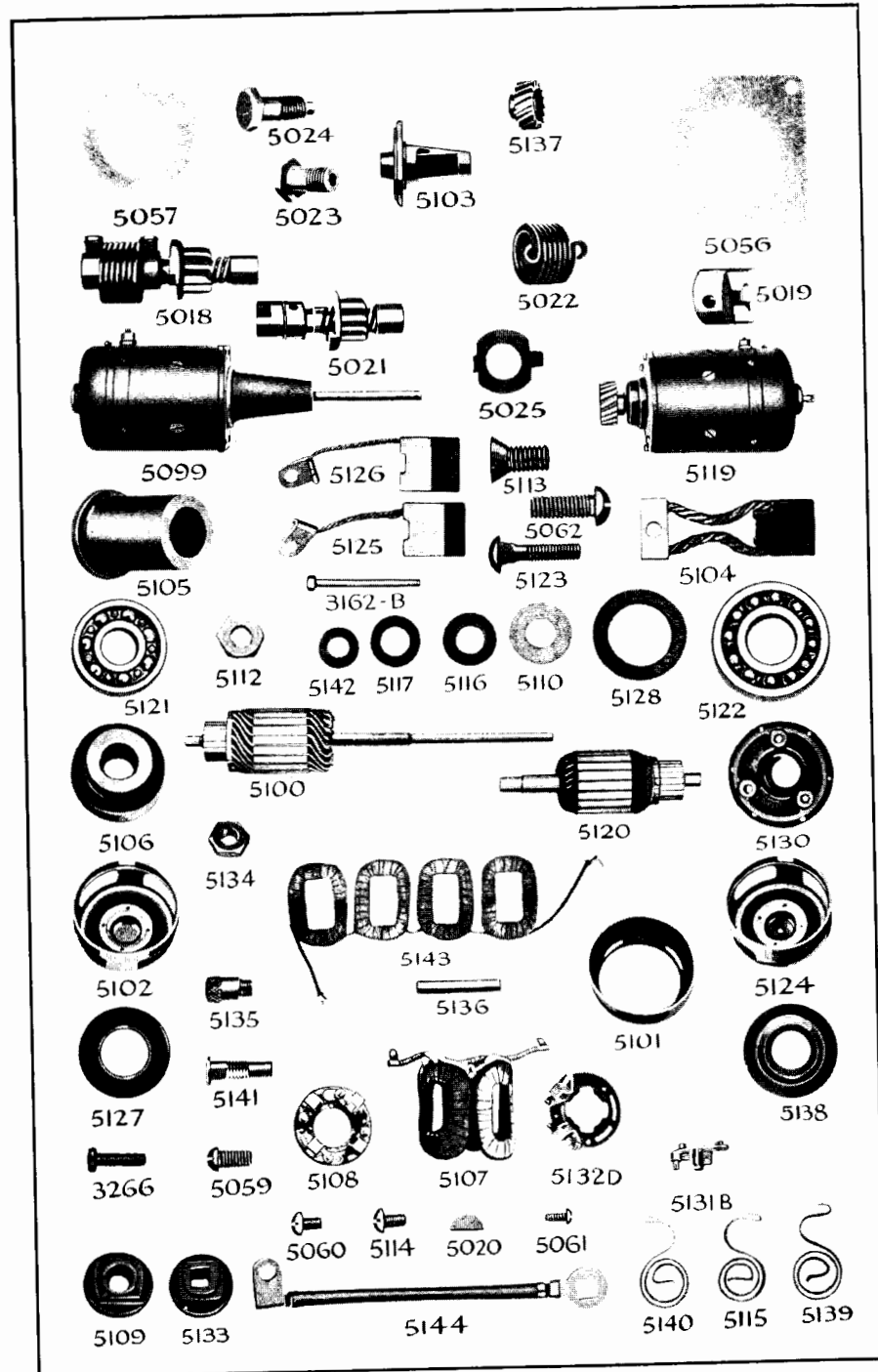


Plate No. 12

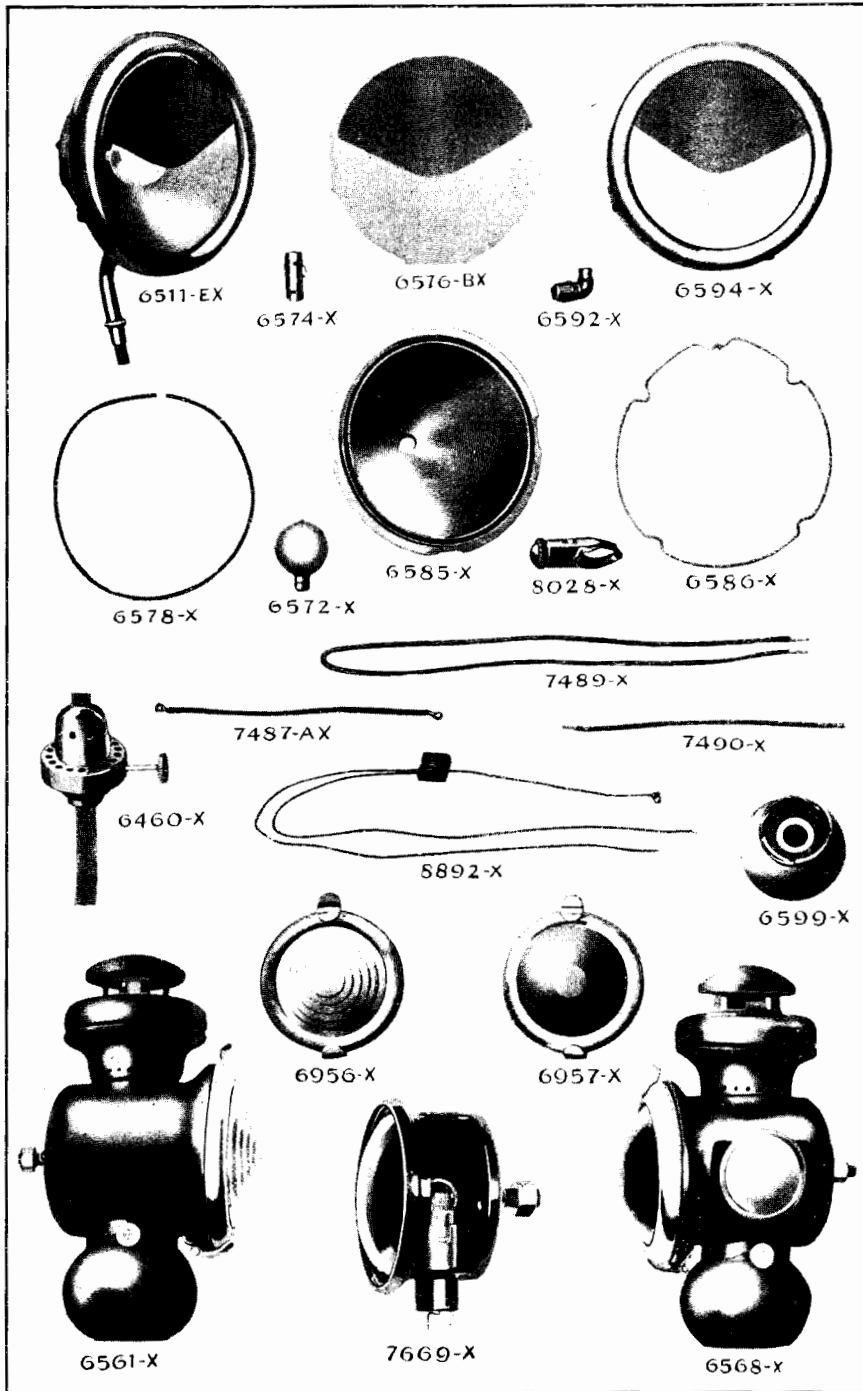


Plate No. 13

Part No.	Name of Part	Make	Year	Code	Price	Tax Status
TOURING CAR AND TORPEDO WINDSHIELDS—1915-21—Continued						
7805X	Windshield left hand upper hinge		1915-21	Viking	\$ 0 15	
7889X	Windshield hinge—lower right		1917-21	Vim	15	
7807X	Windshield right hand upper hinge		1915-21	Vina	15	
3827X	Windshield top snap loop		1915-21	Vine	05	
1154X	Windshield hinge bolt nut		1915-21	Vintage	03	
2449BX	Windshield glass clamp screw		1915-21	Viol	01	
2257BX	Windshield hinge to frame screw		1915-21	Virent	02	
292X	Windshield hinge spring (Order T2742)					
7851X	Windshield upper glass stop—nickel		1915-21	Vise	25	
7852X	Windshield lower glass stop—nickel		1915-21	Vitals	25	
7808X	Windshield hinge thimble		1915-21	Vitez	05	

Part No.	Name of Part	Make	Year	Code	Price	Tax Status
TOURING CAR TOPS—1915-21						
*7940X	Touring car top complete		1915-21	Warm		MH
6882X	Touring car storm curtain (R. H.)		1915-21	Warp	2 50	MH
6883X	Touring car storm curtain (L. H.)		1915-21	Warren	2 50	MH
4966BX	Touring car side curtain (R. H.)		1915-21	Wart	3 00	MH
4967BX	Touring car side curtain (L. H.)		1915-21	Wash	3 00	MH
6894X	Touring car center deck complete		1915-21	Wasp	9 00	MH
6886X	Touring car center deck only 91 1/2" x 50"		1915-21	Waste	6 00	
8913X	Touring car side quarter (R. H.)		1915-21	Watch	2 00	
8914X	Touring car side quarter (L. H.)		1915-21	Water	2 00	
6815X	Touring car side quarter pad		1915-21	Watt	1 50	
6940X	Touring car back stay and curtain assembly		1915-21	Wax	3 50	MH
8897X	Touring car wood bow		1913-17	Weapon	75	
8973X	Touring car front and rear extension rib		1918-21	Yawn	40	
8974X	Touring car front and rear upright rib		1918-21	Yell	40	
4596X	Touring car bow separator—male		1913-17	Wedge	05	
4597X	Touring car bow separator—female		1913-17	Weed	05	
6832X	Touring car bow separator		1918-21	Whelp	05	
6860AX	Touring car front extension bow socket (R. H.)		1915-17	Weep	1 00	
6860BX	Touring car front extension rib socket (R. H.)		1918-21	Wealth	1 00	
6861AX	Touring car front extension bow socket (L. H.)		1915-17	Weir	1 00	
6861BX	Touring car front extension rib socket (L. H.)		1918-21	Weary	1 00	
3884AX	Touring car rear extension bow socket (R. H.)		1913-17	Weld	1 00	
3884BX	Touring car rear extension rib socket (R. H.)		1918-21	Wedding	1 00	
3885AX	Touring car rear extension bow socket (L. H.)		1913-17	Welkin	1 00	
3885BX	Touring car rear extension rib socket (L. H.)		1918-21	Well	1 00	
6862AX	Touring car front upright bow socket (R. H.)		1915-17	Well	1 00	
6862BX	Touring car front upright rib socket (R. H.)		1918-21	Whig	1 00	
6863AX	Touring car front upright bow socket (L. H.)		1915-17	Welsh	1 00	
6863BX	Touring car front upright rib socket (L. H.)		1918-21	Whilk	1 00	
3882AX	Touring car rear upright bow socket (R. H.)		1913-17	West	1 00	
3882BX	Touring car rear upright rib socket (R. H.)		1918-21	Yauk	1 00	
3883AX	Touring car rear upright bow socket (L. H.)		1913-17	Wether	1 00	
3883BX	Touring car rear upright rib socket (L. H.)		1918-21	Yawl	1 00	
7831X	Curtain to windshield hook		1915-21	Whame	03	
7832X	Curtain to body hook		1915-21	Whaul	05	
6837X	Touring car key strap assembly		1913-18	Whale	05	
8992X	Rib socket cotter		1918-21	Wheeze	05	
3924X	Touring car top to windshield strap assembly		1915-21	Wharf	25	
3629X	Touring car rear stay strap assembly complete		1913-21	Wheat	40	
6925X	Touring car curtain to windshield strap assembly		1915-19	Whine	10	
6926X	Touring car curtain to lamp bracket strap assembly		1915-19	Whip	10	
3754X	Touring car curtain glove fastener assembly		1913-21	Whist	05	
6829AX	Touring car duquesne clip—upper		1914-17	Whoop	05	
6829BX	Touring car extension support—upper		1918-21	Yelk	10	
6830AX	Touring car duquesne clip—lower		1914-17	Wick	05	
6830BX	Touring car extension support—lower		1918-21	Yeoman	05	
8937X	Touring car top snap fastener—single		1917-21	Wig	05	
8938X	Touring car top snap fastener—double		1917-21	Willow	05	
3314X	Touring car top prop rest with strap		1913-21	Wind	60	
3858X	Touring car top prop rest arm		1913-21	Wine	25	
3624X	Touring car bow socket to seat iron japanned nut		1913-21	Wing	05	
3383X	Curtain celluloid 20" x 36"—.015 thick		1913-21	Wink	1 60	
3383X	Curtain celluloid 10" x 18"—.015 thick		1913-21	Winter	40	
4981X	Touring car top visor		1920-21	Wizen	75	

*Inquire of Branch or Dealer for price.

Of the net amount at which these parts are billed to purchasers who purchase direct from the Ford Motor Company, (except parts which show no Tax Status, if any) 20/21 represents the price of the goods and 1/21 represents excise tax.

Insist upon genuine Ford parts

Part No. Name of Part Year Price Tax Code Status Word Fac. No. Req. Model No. per Car

SPRING

1077	Rear spring—right or left, each	1918-21	\$ 6 00	MH.	Cream	TT	333	2
1078	Spring leaf No. 1	1918-21	1 20		Creed	TT	334	2
1079	Spring leaf No. 2	1918-21	75		Crew	TT	362	2
1080	Spring leaf No. 3	1918-21	70		Crib	TT	363	2
1081	Spring leaf No. 4	1918-21	60		Crisp	TT	364	2
1082	Spring leaf No. 5	1918-21	55		Crout	TT	365	2
1083	Spring leaf No. 6	1918-21	50		Crop	TT	366	2
1084	Spring leaf No. 7	1918-21	45		Croup	TT	367	2
1085	Spring leaf No. 8	1918-21	40		Crow	TT	368	2
1086	Spring leaf No. 9	1918-21	35		Crowd	TT	331	2
1087	Spring bushing	1918-21	20		Crumb	TT	332	2
1088	Spring clip	1918-21	45		Crusher	TT	326	2
1089	Spring clip nut	1918-21	15		Cry	TT	327	4
1091	Spring clip plate	1918-21	25		Cuff	TT	329	2
1092	Spring tie bolt	1918-21	35		Cult	TT	330	2
1093	Spring tie bolt nut	Order 1089						
1094	Spring tie bolt cotter	1918-21	01		Cure	TT	328	2
1095	Spring clamp	1918-21	10		Curl	TT	375	2
1096	Spring clamp bolt	1918-21	04		Curse	TT	376	2
1096B	Spring clamp bolt nut Used on 1096	1918-21	02		Harrow	TT	1926	2
1097	Spring perch	1918-21	1 00	MH.	Dale	TT	2804	2
1098	Spring perch nut	Order 1015						
1099	Spring perch cotter	Order 1014						
1100	Spring perch bushing	1918-21	30		Demon	TT	172	2
1101	Spring perch bushing spacer	1918-21	05		Dean	TT	169	4
1102	Spring hanger assembly	1918-21	40		Dike	TT	91	4

WHEELS

1105B	Rear wheel complete (less tire) dem. Kelsey	Old No. 1109B	1919-21	25 00	Duelist	TT	7698	2
1105C	Rear wheel complete (less tire) dem. Hayes	Old No. 1109B	1919-21	25 00	Dulcant	TT	7698B	2
1106B	Dem. rim only—Kelsey	Old No. 1109C	1919-21	5 50	Duke	TT	8774	2
1106C	Dem. rim only—Hayes	Old No. 1109C	1919-21	5 50	Dumal	TT	8774B	2
1107B	Clamp and nut assembly—Kelsey	Old No. 1109D	1919-21	20	Dulledge	TT	8807	12
1108B	Clamp bolt	Old No. 1109E	1919-21	10	Dullish	TT	8832	12
1109	Rear wheel complete, less tire		1918-20	18 00	Duel	TT	99	2
1110	Rear wheel complete, with solid tire		1918-20		Drone	TT	7645	
1111	Rear hub		1918-21	4 00	Dumb	TT	40	2
1112	Rear hub flange		1918-21	60	Dusk	TT	149	2
1113	Rear hub brake drum		1918-21	2 00	Dutch	TT	3	2
1114	Rear hub bolt		1918-21	05	Dwarf	TT	28	12
1114B	Rear hub bolt nut Used on 1114		1918-21	03	Durty	TT	29	12
1116	Rear hub cap		1918-21	35	Dyke	TT	150	2
1117	Rear hub key		1918-21	05	Ear	TT	26	2
1118	Rear hub felt		1918-21	05	East	TT	162	2

FRAME

1119	Frame assembly	1918-21	30 00	MH.	Eat	TT	300	1
1120	Side member—right	1918-21	10 00		Ebb	TT	301	1
1121	Side member—left	1918-21	10 00		Fish	TT	302	1
1122	Front cross member	1918-21	1 50		Flirt	TT	303	1
1123	Rear cross member	1918-21	4 50		Flock	TT	304	1
1124	Front corner bracket—right	1918-21	20		Frost	TT	305	1
1125	Front corner bracket—left	1918-21	20		Froth	TT	306	1
1125B	Front end spacer—right	1918-21	15		Fruitage	TT	319	1
1125C	Front end spacer—left	1918-21	15		Fruitful	TT	318	1
1126	Rear cross member gusset plate	1918-21	25		Ghost	TT	307	2
1127	Rear cross member reinforcement	1918-21	40		Fruition	TT	325	2

TRANSMISSION CONTROL

1133	Speed lever	1918-21	10		Hoe	TT	862	1
1134	Controller shaft with speed lever	1918-21	75	MH.	Hod	TT	1557	1

Of the net amount at which these parts are billed to purchasers who purchase direct from the Ford Motor Company (except parts which show no Tax Status, if any) 20/21 represents the price of the goods and 1/21 represents excise tax.

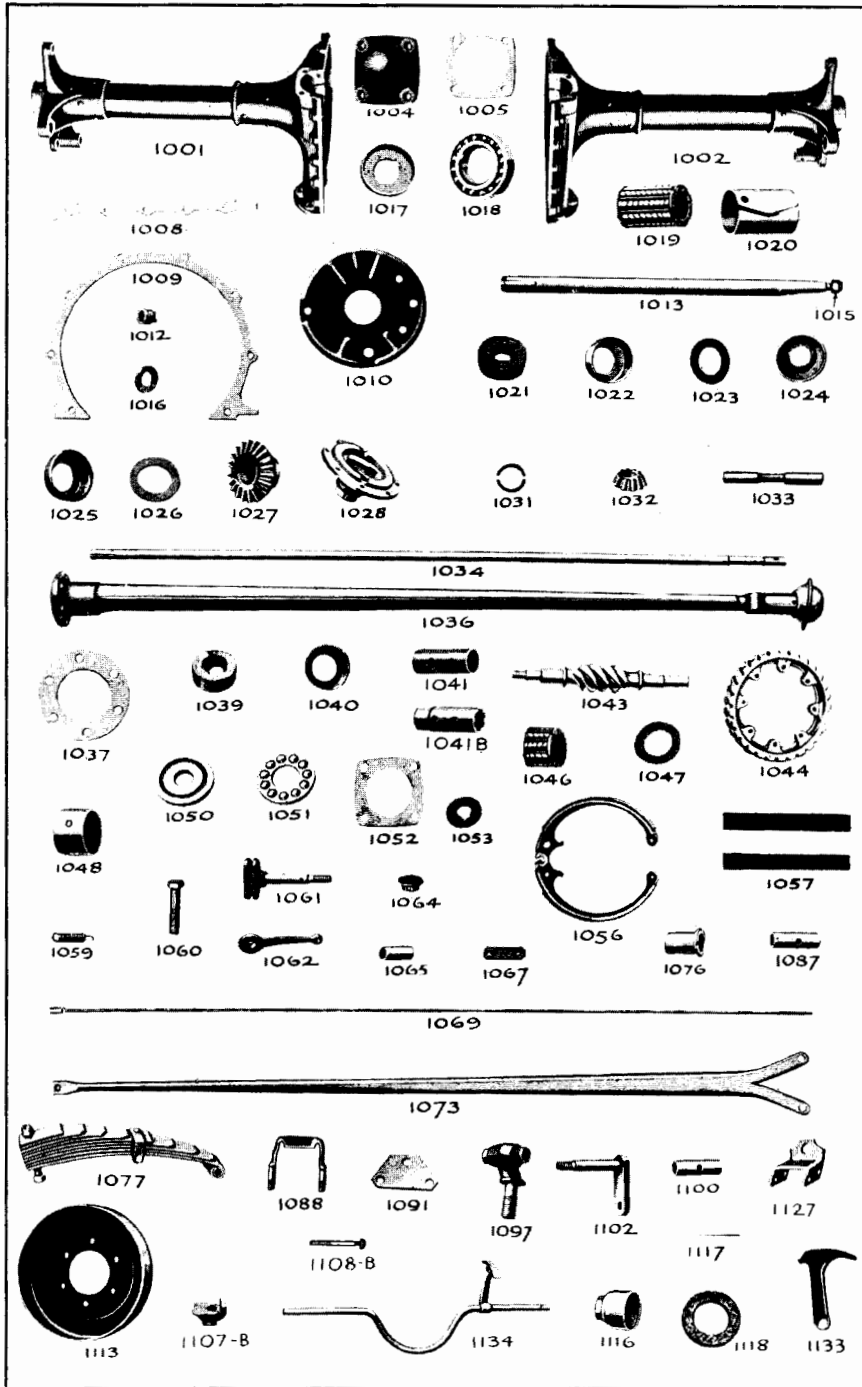


Plate No. 14

Insist upon genuine Ford parts

