



# FK200

Easy-going **personality.**  
Heavy-duty  
**engineering.**





## FK200: More power to you.

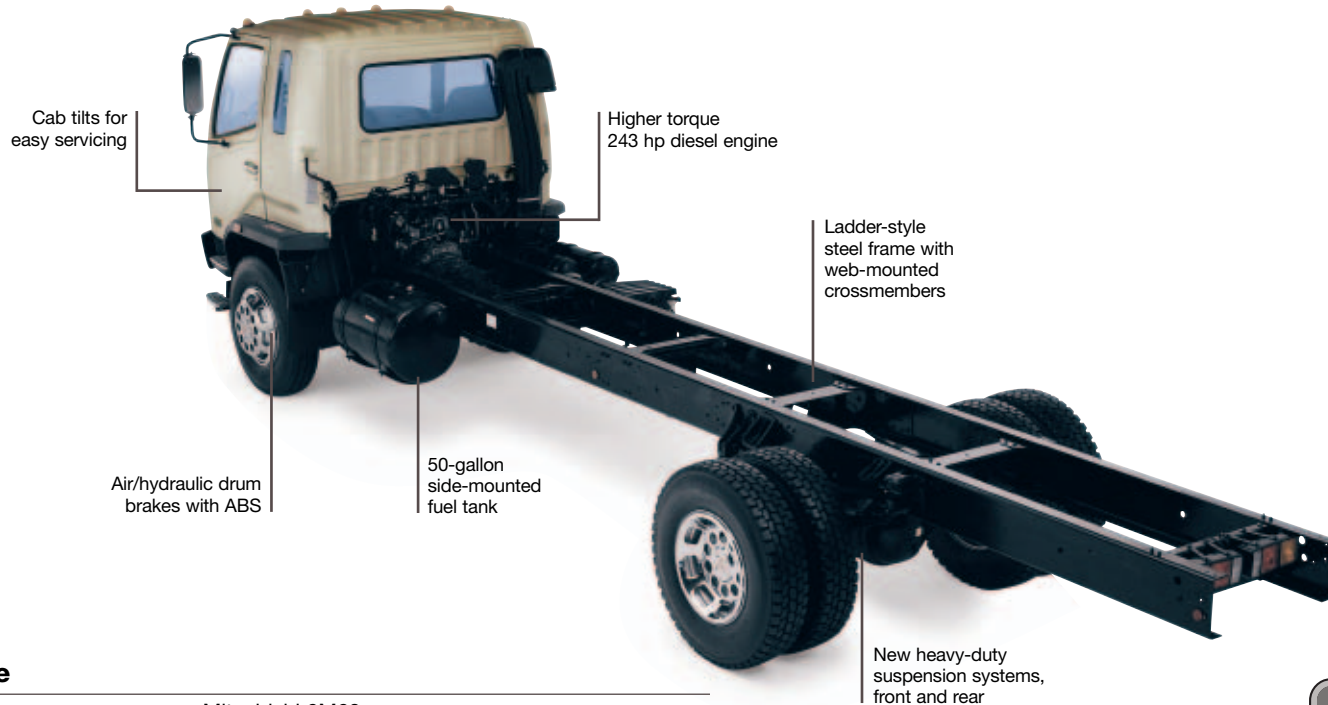
This easy-to-drive, medium-duty cabover has heavy-duty engineering everywhere. Its turbo-charged 243 hp 6-cylinder diesel now churns out more torque – 516 lb.-ft. of payload-moving muscle. Its ladder-style steel frame is complemented by heavy-duty front and rear suspension systems. And its low-profile configuration sits just 36" off the ground. Outside, the cab features aggressive new styling. Inside, there's an exceptionally quiet, comfortable work environment – fully trimmed with adjustable seating, power steering, windows and door locks. There's a choice of standard 5-speed Allison® automatic or optional 6-speed manual transmissions. And air/hydraulic drum brakes with ABS for more sure-footed stops. If you've got a big job to do, this medium-duty truck delivers maximum productivity.



# FK200

- Standard Allison 5-speed automatic transmission with improved shifter
- Open-grate steps for safe entry/exit
- Low-profile wheel and tire combination
- Contoured, color-coordinated front bumper





### Safety

- Crush bar in each door
- Energy-absorbing steering wheel
- Daytime running lights
- Air/hydraulic brakes with ABS, all wheels
- High-visibility halogen headlamps
- Open-grate entry steps

### Engine

Model	Mitsubishi 6M60
Type	SOHC 4-stroke cycle, water-cooled, turbocharged, intercooled diesel with 4 valves per cylinder
No. of cylinders	Six in-line
Piston displacement	460 cu.in. (7.5 liter)
Max. output (SAE, gross)	243 hp @ 2600 rpm
Max. torque (SAE, gross)	516 lb.-ft. @ 1400 rpm
Air cleaner	Dry paper element with snorkel
Starter	12-volt
Alternator	12-volt, 100-amp
Cold weather starting aid	Individual ceramic-tipped glow-plugs

\* Wheel covers shown not available. For display purposes only.

### Body Colors

- Natural White 
- Arcadia Silver 
- Jupiter Green 
- Mars Red 
- Shannon Blue 

Immediately available in white. All other colors may be special ordered at no extra charge.

### Fabric Style

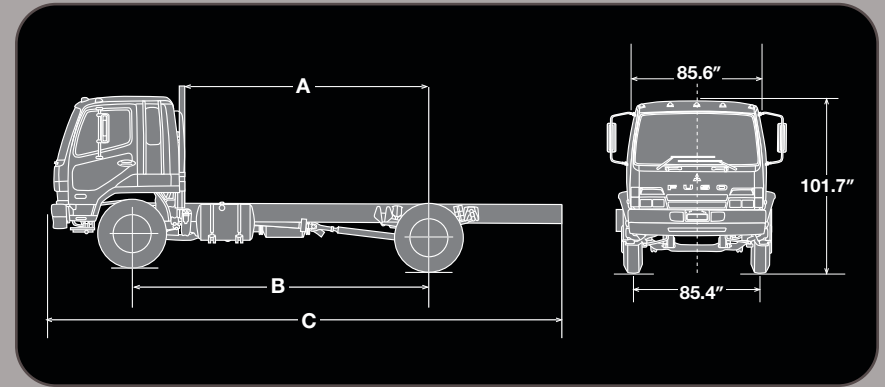
- Blue and Gray Cloth 



## FK200 Specifications

### Chassis

<b>Clutch</b>	
Clutch size	Cerametallic 15"
<b>Transmission</b>	
Standard transmission	Allison 1000 Electronic 5-speed OD AT
Optional transmission	Mitsubishi 6-speed OD MT
Estimated top speed (mph)	85 MT/80 AT
<b>Axles</b>	
Front	Reverse Elliot, I-beam type, 7,280-lb. capacity
Rear	Full floating type, 16,975-lb. capacity
<b>Final reduction gear</b>	
Ratio	Single-reduction hypoid gear 4.111 MT/4.444 AT
<b>Curb weight base model</b>	7,560 lb. (MT only)
<b>Turning diameter (min. wheelbase)</b>	45.2 ft.
<b>Tires (premium)</b>	
Size	Single front, dual rear 225/70R19.5 12PR Highway/Traction
<b>Disc wheel</b>	19.5" x 6.75"/6-lug
<b>Steering</b>	Ball-nut-type with integral-type hydraulic power booster Tilt/telescoping steering column with steering lock
<b>Cruise Control</b>	Standard
<b>Windows/door locks</b>	Power
<b>Suspension</b>	
Front	Tapered leaf springs
Rear	Laminated leaf springs
<b>Brakes</b>	
Service	Drum, air/hydraulic-type with ABS
Parking	Drum/driveline, internal expanding shoe
Exhaust	Air actuated
<b>Frame</b>	
Type	Ladder/straight
Section modulus	10.37 cu. in.
Yield strength	51,200 psi
RBM per rail	530,944 lb.-in.
Height/width	36.0"/33.1"
<b>Fuel tank</b>	50-gallon side mount
<b>Electrical system</b>	Two 12-volt, maintenance-free batteries – 799 CCA EA
<b>Vehicle safety</b>	Energy-absorbing steering wheel, crush bars in doors, daytime running lights and ABS standard



### Dimensions

A. Usable cab to rear axle	128.5"	140.4"	152.2"	165.5"
B. Wheelbase	168.1"/MT only	179.9"	191.7"	205.1"
C. Overall length (end of frame)	284.3"	301.4"	318.7"	340.4"
<b>Body size accommodated</b>	16' 18' 20' 22' 24'			

### Weight (lb.)\*

GVWR (lb.)/GAWR (lb.)	20,935 MT/19,850 AT	Front 7,280	Rear 13,660
GCWR (lb.) MT/AT	34,170 MT/26,000 AT		
Max. body-payload capacity (lb.)	13,375		

\*Weight approximate. See dealer for details.



**MITSUBISHI FUSO**  
**TRUCK OF AMERICA, Inc.**

2015 Center Square Road  
Logan Twp., NJ 08085

For the dealer nearest you,  
or for more information,  
visit our web site at:

**www.mitfuso.com**

Vehicle specifications are subject to change without notice. Photos and descriptions included on this spec sheet may vary in comparison to actual vehicle models.

For warranty limitations and details, see your local dealer.

Allison is a registered trademark of General Motors Corporation.

♻️ PRINTED IN THE U.S.A. ON  
RECYCLED AND RECYCLABLE PAPER 5/05.  
©2005 MITSUBISHI FUSO TRUCK OF  
AMERICA, Inc.