

2006 MITSUBISHI FUSO



# FM260

The **high-capacity** hauler  
that's big on **dependability.**





## FM260: Strength your company can build on.

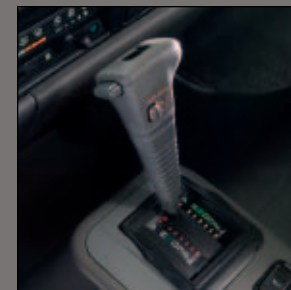
The largest payloads call for stronger frames, big power and lots of torque. Mitsubishi Fuso's FM260 model offers all three in abundance. Its rugged ladder-style frame with web-mounted crossmembers can handle bodies up to 28'. Its direct-injected, intercooled, turbocharged 6-cylinder diesel engine delivers day-in day-out dependability and is easy to maintain.

The FM260's cab is most accommodating with a 6-way adjustable driver's seat, tilt/telescoping steering wheel, superior wide-angle visibility and a fully trimmed interior that's exceptionally roomy and quiet. Mitsubishi Fuso cabovers work harder for your business. And the FM260's productivity comes up big, every time.



# FM260

- Standard Allison® 5-speed automatic transmission with improved shifter
- Open-grate steps for safe entry/exit
- Contoured, color-coordinated front bumper
- Fixed console between seats with cup holders





### Safety

Crush bar in each door

Energy-absorbing steering wheel

Daytime running lights

Air hydraulic brakes with ABS

Open-grate entry steps

### Engine

Model	Mitsubishi 6M60
Type	SOHC 4-stroke cycle, water-cooled, turbocharged, intercooled diesel with 4 valves per cylinder
No. of cylinders	Six in-line
Piston displacement	460 cu.in. (7.5 liter)
Max. output (SAE, gross)	243 hp @ 2600 rpm
Max torque (SAE, gross)	516 lb.-ft. @ 1400 rpm
Air cleaner	Dry paper element with snorkel
Starter	12-volt
Alternator	12-volt, 100-amp
Cold weather starting aid	Individual ceramic-tipped glow-plugs

### Body Colors

Natural White



Arcadia Silver



Jupiter Green



Mars Red



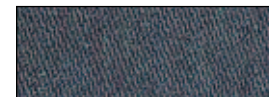
Shannon Blue



Immediately available in white. All other colors may be special ordered at no extra charge.

### Fabric Style

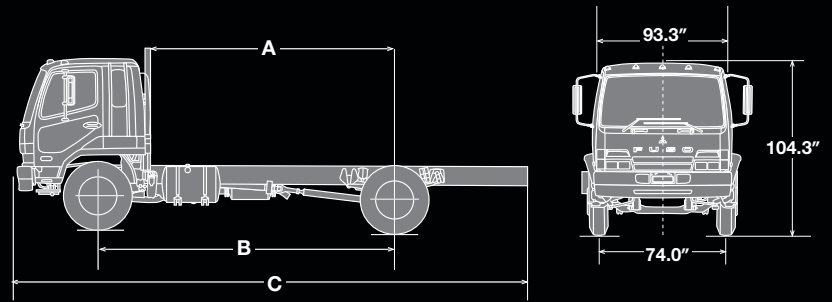
Blue and Gray Cloth



## FM260 Specifications

### Chassis

<b>Clutch</b>	Cerametallic
Clutch size	15"
<b>Transmission</b>	
Standard transmission	Allison 2400 Electronic 5-speed OD AT
Optional transmission	Mitsubishi 6-speed OD MT
Estimated top speed (mph)	80 MT/79 AT
<b>Axles</b>	
Front	Reverse Elliot, I-beam type, 10,800-lb. capacity
Rear	Full floating type, 20,280-lb. capacity
<b>Final reduction gear</b>	Single-reduction hypoid gear
Ratio	5.857 MT/5.857 AT
<b>Curb weight base model</b>	9,290 lb.
<b>Turning diameter (short WB)</b>	46.0 ft.
<b>Tires (premium)</b>	Single front, dual rear
Size	11R22.5 14PR Highway/Traction
<b>Disc wheel</b>	22.5" x 7.5"/8-lug
<b>Steering</b>	Ball-nut-type with integral-type hydraulic power booster Tilt/telescoping steering column with steering lock
<b>Cruise control</b>	Standard
<b>Windows/door locks</b>	Power
<b>Suspension</b>	
Front	Tapered leaf springs
Rear	Laminated leaf springs. Available air suspension on 218.5" and 239.4" wheelbase models
<b>Brakes</b>	
Service	Air/hydraulic drum with ABS
Parking	Drum/driveline, internal expanding shoe
Exhaust	Air actuated
<b>Frame</b>	
Type	Ladder/straight
Section modulus	13.73 cu.in.
Yield strength	51,200 psi
RBM per rail	702,976 lb.-in.
Height/width	41.9" (39.8" air)/33.1"
<b>Fuel tank</b>	50-gallon side mount
<b>Electrical system</b>	Two 12-volt, maintenance-free batteries – 799 CCA EA
<b>Vehicle safety</b>	Energy-absorbing steering wheel, crush bars in doors, daytime running lights and ABS standard



### Dimensions

A. Usable cab to rear axle	109.6"	146.7"	164.8"	183.3"	204.1"			
B. Wheelbase	144.9"/MT only	181.9"	200.0"	218.5"	239.4"			
C. Overall length (end of frame)	260.8"	312.8"	339.6"	367.1"	408.5"			
<b>Body size accommodated</b>	14'	16'	18'	20'	22'	24'	26'	28'

### Weight (lb.)\*

GVWR (lb.)/GAWR (lb.)	25,995 (23,250 Refuse AT)	Front 10,640	Rear 18,500
GCWR (lb.) MT/AT	40,780 MT/26,000 AT (23,250 Refuse)		
Max. body-payload capacity (lb.)	16,705		

\*Weight approximate. See dealer for details.



**MITSUBISHI FUSO**  
**TRUCK OF AMERICA, Inc.**

2015 Center Square Road  
Logan Twp., NJ 08085

For the dealer nearest you,  
or for more information,  
visit our web site at:

**www.mitfuso.com**

Vehicle specifications are subject to change without notice. Photos and descriptions included on this spec sheet may vary in comparison to actual vehicle models.

For warranty limitations and details, see your local dealer.

Allison is a registered trademark of General Motors Corporation.

♻️ PRINTED IN THE U.S.A. ON  
RECYCLED AND RECYCLABLE PAPER 5/05.  
©2005 MITSUBISHI FUSO TRUCK OF  
AMERICA, Inc.