



SPECIFICATIONS

Weight (lbs.)

Max. GVWR		12,000
	Front	4,850
	Rear	8,600
Body/Payload		Up to 6,985*

Dimensions (in.)

Wheelbase	108.3/131.9/148.0
Usable cab to rear axle	83.1/106.7/122.9
Overall length (End of frame)	192.3/215.7/231.9

Engine

Model	Mitsubishi 4D34-3AT3B
Type	4-stroke cycle, watercooled, direct injection, turbocharged, intercooled diesel
No. of cylinders	Four in-line
Piston displacement	238.0 cu. in. (3.9 liters)
Max. output (SAE, gross)	145 hp/2,900 rpm
Max. torque (SAE, gross)	275 lb.ft./1,600 rpm
Air cleaner	Dry paper element with snorkel and rain cap
Starter	12-volt
Alternator	12-volt, 100-amp

Chassis

Clutch		Hydraulic control, 11.8 in., single dry plate
Transmission (Automatic option)		5 forward and 1 reverse speed, 2nd to 5th synchromesh, 1st and reverse constant mesh gears
	Ratio: manual	5.380/3.028/1.700/1.000/0.722, reverse 5.380
	Ratio: automatic	3.018/1.548/1.000/0.703, reverse 2.678
Axle	Front	Reverse Elliot, I-beam-type, 5,290 lbs. capacity
	Rear	Full-floating-type, 9,480 lbs. capacity
Final reduction gear		Single-reduction hypoid gear
	Ratio	5.714 (manual/automatic)
Tires		Single front steer, dual rear traction
	Size	LT215/85R16D (10 PR)
Steering		Ball-nut-type with integral-type hydraulic power booster. Telescopic and tilt steering column with steering lock
Suspension	Front	Laminated leaf springs with shock absorbers and stabilizer bar
	Rear	Laminated leaf springs with shock absorbers and stabilizer bar
Brakes	Service	Hydraulic with vacuum servo assist, ABS dual-caliper front disc and self-adjusting rear drum with exhaust brake
	Parking	Internal expanding shoe-type
Fuel tank		33 gallons
Electrical system		Two 12-volt, maintenance-free batteries
Vehicle safety		Energy-absorbing steering wheel, crush bars in doors, daytime running lights and ABS standard

*Weight approximate. See dealer for complete details.

FE



2000



MITSUBISHI
FUSO

FE

MITSUBISHI FUSO TRUCK
OF AMERICA, Inc.
P.O. Box 464
100 Center Square Road
Bridgeport, NJ 08014

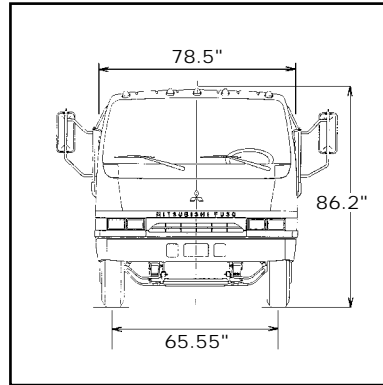
For the dealer nearest you,
or for more information, write
or call: 1 (800) 648-3876

Or visit our web site at
<http://www.mitfuso.com>

NOT AVAILABLE IN CALIFORNIA

Vehicle specifications are subject to change
without notice. Photos and descriptions included
in this brochure may vary in comparison to
actual vehicle models.

♻️ PRINTED IN THE U.S.A. ON RECYCLED AND
RECYCLABLE PAPER 7/99. ©1999 MITSUBISHI FUSO
TRUCK OF AMERICA, Inc.



- A. Wheelbase (in.)
108.3/131.9/148.0
- B. Usable cab to rear axle (in.)
83.1/106.7/122.9
- C. Overall length (in.)
192.3/215.7/231.9

