



SPECIFICATIONS

Weight (lbs.)

Max. GVWR		30,000
	Front	10,640
	Rear	20,080
Body/Payload		Up to 20,490

Dimensions (in.)

Wheelbase	181.9 (MT only) 200.0/218.5/239.4 (MT/AT)
Usable cab to rear axle	146.6/164.7/183.2/203.7
Overall length (End of frame)	313.8/340.6/368.1/409.5

Engine

Model	Mitsubishi 6D16-3AT3
Type	4-stroke cycle, watercooled, direct injection, turbocharged, intercooled diesel
No. of cylinders	Six in-line
Piston displacement	460.3 cu. in. (7.5 liters)
Max. output (SAE, gross)	200 hp/2,600 rpm
Max. torque (SAE, gross)	434 lb.ft./1,600 rpm
Air cleaner	Dry paper element with snorkel and rain cap
Starter	12-volt
Alternator	12-volt, 100-amp

Chassis

Clutch		Hydraulic control, coil spring 13.8 in. single cerametallic disc
Transmission (Automatic option)		6 forward and 1 reverse speed, 2nd to 6th synchromesh, 1st and reverse constant mesh gears
	Ratio: Manual	6.875/4.189/2.460/1.542/1.000/0.786, reverse 6.875
	Ratio: automatic	(Allison AT545) 3.454/2.253/1.407/1.000, reverse 5.571
Axle	Front	Reverse Elliot, I-beam-type, 10,640 lbs. capacity
	Rear	Full-floating-type, 20,080 lbs. capacity
Final reduction gear		Single-reduction hypoid gear
	Ratio	6.166 (MT) 5.571 (AT)
Tires		Single front, dual rear traction
	Size	Premium 11R22.5 (14PR)
Steering		Ball-nut-type with integral-type hydraulic power booster. Telescopic and tilt steering column with steering lock
Suspension	Front	Laminated leaf springs with shock absorbers
	Rear	Laminated leaf springs
Brakes	Service	Air-over hydraulic, self-adjusting with anti-lock, air dryer standard (exhaust brake standard on MT only)
	Parking	Internal expanding-type on propeller shaft
Fuel tank		50-gallon tank and fuel/water separator (standard)
Electrical system		Two 12-volt, maintenance-free batteries
Vehicle safety		Energy-absorbing steering wheel, crush bars in doors, daytime running lights and ABS standard

FM·HR



2000



MITSUBISHI
FUSO

FM·HR

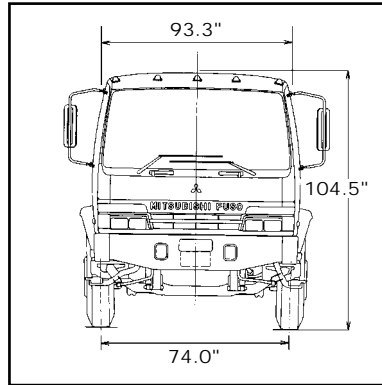
MITSUBISHI FUSO TRUCK
OF AMERICA, Inc.
P.O. Box 464
100 Center Square Road
Bridgeport, NJ 08014

For the dealer nearest you,
or for more information, write
or call: 1 (800) 648-3876

Or visit our web site at
<http://www.mitfuso.com>

Vehicle specifications are subject to change
without notice. Photos and descriptions included
in this brochure may vary in comparison to
actual vehicle models.

♻️ PRINTED IN THE U.S.A. ON RECYCLED AND
RECYCLABLE PAPER 7/99. ©1999 MITSUBISHI FUSO
TRUCK OF AMERICA, Inc.



- A. Wheelbase (in.)
181.9 (MT only) 200.0/218.5/239.4 (MT/AT)
- B. Usable cab to rear axle (in.)
146.6/164.7/183.2/203.7
- C. Overall length (in.)
313.8/340.6/368.1/409.5

