



## SPECIFICATIONS

### Weight (lbs.)

<b>Max. GVWR</b>		14,050
	Front	5,070
	Rear	9,040
<b>Body/Payload</b>		Up to 8,990*

### Dimensions (in.)

<b>Wheelbase</b>		108.3/131.9/148.0
<b>Usable cab to rear axle</b>		83.1/106.7/122.9
<b>Overall length (End of frame)</b>		192.3/215.7/232.1

### Engine

<b>Model</b>		Mitsubishi 4D34-3AT3B
<b>Type</b>		4-stroke cycle, watercooled, direct injection, turbocharged, intercooled diesel
<b>No. of cylinders</b>		Four in-line
<b>Piston displacement</b>		238.0 cu. in. (3.9 liters)
<b>Max. output (SAE, gross)</b>		145 hp@2,900 rpm
<b>Max. torque (SAE, gross)</b>		275 lb.ft.@1,600 rpm
<b>Air cleaner</b>		Dry paper element with snorkel and rain cap
<b>Starter</b>		12-volt
<b>Alternator</b>		12-volt, 100-amp

### Chassis

<b>Transmission</b>		4-speed automatic
	Ratio	3.018/1.548/1.000/0.703, reverse 2.678
<b>Axle</b>	Front	Reverse Elliot, I-beam-type, 5,290 lbs. capacity
	Rear	Full-floating-type, 9,480 lbs. capacity
<b>Final reduction gear</b>		Single-reduction hypoid gear
	Ratio	5.714 (automatic)
<b>Tires</b>		Single front highway, dual rear traction
	Size	LT215/85R16E (10 PR)
<b>Steering</b>		Ball-nut-type with integral-type hydraulic power booster. Telescopic and tilt steering column with steering lock
<b>Suspension</b>	Front	Heavy-duty laminated leaf springs with shock absorbers and stabilizer bar
	Rear	Heavy-duty laminated leaf springs with shock absorbers and stabilizer bar
<b>Brakes</b>	Service	Hydraulic with vacuum servo assist, ABS dual-caliper four-wheel disc brakes with exhaust brake
	Parking	Internal expanding shoe-type
<b>Fuel tank</b>		33 gallons
<b>Electrical system</b>		Two 12-volt, maintenance-free batteries
<b>Vehicle safety</b>		Energy-absorbing steering wheel, crush bars in doors, daytime running lights and ABS standard

\*Weight approximate. See dealer for complete details.

# FE California



2 0 0 1



# FE California

MITSUBISHI FUSO TRUCK  
OF AMERICA, Inc.  
P.O. Box 464  
100 Center Square Road  
Bridgeport, NJ 08014

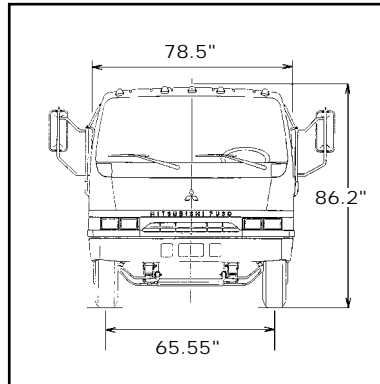
For the dealer nearest you,  
or for more information,  
call: 877-202-9650

Or visit our web site at:  
[www.mitfuso.com](http://www.mitfuso.com)

ONLY AVAILABLE IN CALIFORNIA

Vehicle specifications are subject to change without notice. Photos and descriptions included in this brochure may vary in comparison to actual vehicle models.

♻️ PRINTED IN THE U.S.A. ON RECYCLED AND RECYCLABLE PAPER 6/00. ©2000 MITSUBISHI FUSO TRUCK OF AMERICA, Inc.



- A. Wheelbase (in.)  
108.3/131.9/148.0
- B. Usable cab to rear axle (in.)  
83.1/106.7/122.9
- C. Overall length (in.)  
192.3/215.7/232.1

