



SPECIFICATIONS

Weight (lbs.)

Max. GVWR		25,995
	Front	10,640
	Rear	18,500
Body/Payload		Up to 16,650

Dimensions (in.)

Wheelbase	181.9/200.0/218.5/239.4
Usable cab to rear axle	146.7/164.8/183.3/204.1
Overall length (End of frame)	313.8/340.6/368.1/409.4

Engine

Model	Mitsubishi 6D16-3AT3
Type	4-stroke cycle, watercooled, direct injection, turbocharged, intercooled diesel
No. of cylinders	Six in-line
Piston displacement	460.3 cu. in. (7.5 liters)
Max. output (SAE, gross)	200 hp@2,600 rpm
Max. torque (SAE, gross)	434 lb.ft.@1,600 rpm
Air cleaner	Dry paper element with snorkel and rain cap
Starter	12-volt
Alternator	12-volt, 100-amp

Chassis

Clutch		Hydraulic control, coil spring, 13.8 in., single cerametallic disc
Transmission (Automatic option)		6 forward and 1 reverse speed, 2nd to 6th synchromesh, 1st and reverse constant mesh gears
	Ratio: manual	6.875/4.189/2.460/1.542/1.000/0.786, reverse 6.875
	Ratio: automatic	(Allison AT545) 3.454/2.253/1.407/1.000, reverse 5.024
Axle	Front	Reverse Elliot, I-beam-type, 10,800 lbs. capacity
	Rear	Full-floating-type, 20,280 lbs. capacity
Final reduction gear		Single-reduction hypoid gear
	Ratio	5.857 (MT) 4.875 (AT)
Tires		Single front highway, dual rear traction
	Size	Premium 11R22.5 (14PR)
Steering		Ball-nut-type with integral-type hydraulic power booster. Telescopic and tilt steering column with steering lock
Suspension	Front	Laminated leaf springs with shock absorbers
	Rear	Laminated leaf springs
Brakes	Service	Air-over hydraulic, self-adjusting with anti-lock, air dryer standard (exhaust brake standard on MT only)
	Parking	Internal expanding-type on propeller shaft
Fuel tank		50-gallon tank and fuel/water separator (standard)
Electrical system		Two 12-volt, maintenance-free batteries
Vehicle safety		Energy-absorbing steering wheel, crush bars in doors, daytime running lights and ABS standard

FM·MR



2 0 0 1



FM•MR

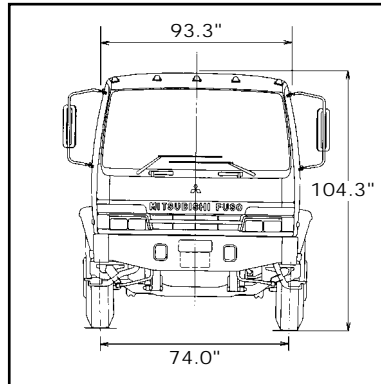
MITSUBISHI FUSO TRUCK
OF AMERICA, Inc.
P.O. Box 464
100 Center Square Road
Bridgeport, NJ 08014

For the dealer nearest you,
or for more information,
call: 877-202-9650

Or visit our web site at:
www.mitfuso.com

Vehicle specifications are subject to change
without notice. Photos and descriptions included
in this brochure may vary in comparison to
actual vehicle models.

♻️ PRINTED IN THE U.S.A. ON RECYCLED AND
RECYCLABLE PAPER 6/00. ©2000 MITSUBISHI FUSO
TRUCK OF AMERICA, Inc.



- A. Wheelbase (in.)
181.9/200.0/218.5/239.4
- B. Usable cab to rear axle (in.)
146.7/164.8/183.3/204.1
- C. Overall length (in.)
313.8/340.6/368.1/409.4

