

FE

SPECIFICATIONS



Weight (lbs.)

Max. GVWR		12,000
	Front	4,850
	Rear	8,600
Body/Payload		Up to 6,975*

Dimensions (in.)

Wheelbase	108.3/131.9/148.0
Usable cab to rear axle	83.1/106.7/122.9
Overall length (End of frame)	192.3/215.7/232.1

Engine

Model	Mitsubishi 4D34-3AT3B
Type	4-stroke cycle, watercooled, direct injection, turbocharged, intercooled diesel
No. of cylinders	Four in-line
Piston displacement	238.0 cu. in. (3.9 liters)
Max. output (SAE, gross)	145 hp@2,900 rpm
Max. torque (SAE, gross)	275 lb.ft.@1,600 rpm
Air cleaner	Dry paper element with snorkel and rain cap
Starter	12-volt
Alternator	12-volt, 100-amp

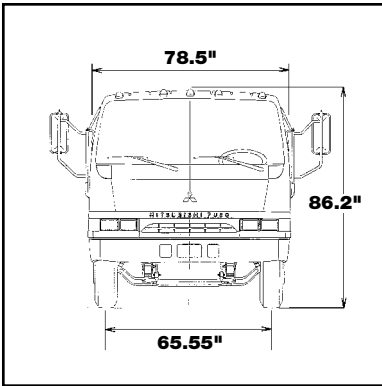
Chassis

Clutch		Hydraulic control, 11.8 in., single dry plate
Transmission (Automatic optional)		5 forward and 1 reverse speed, 2nd to 5th synchromesh, 1st and reverse constant mesh gears
	Ratio: manual	5.380/3.028/1.700/1.000/0.722, reverse 5.380
	Ratio: automatic	3.018/1.548/1.000/0.703, reverse 2.678
Axle	Front	Reverse Elliot, I-beam-type, 5,290 lbs. capacity
	Rear	Full-floating-type, 9,480 lbs. capacity
Final reduction gear		Single-reduction hypoid gear
	Ratio	5.714 (manual/automatic)
Tires (Premium)		Single front, dual rear
	Size	LT215/85R16E (10 PR)
Steering		Ball-nut-type with integral-type hydraulic power booster. Telescopic and tilt steering column with steering lock
Suspension	Front	Laminated leaf springs with shock absorbers and stabilizer bar
	Rear	Laminated leaf springs with shock absorbers and stabilizer bar
Brakes	Service	Hydraulic with vacuum servo assist, ABS dual-caliper front disc and self-adjusting rear drum with exhaust brake
	Parking	Internal expanding shoe-type
Fuel tank		33 gallons
Electrical system		Two 12-volt, maintenance-free batteries
Vehicle safety		Energy-absorbing steering wheel, crush bars in doors, daytime running lights and ABS standard

*Weight approximate. See dealer for complete details.

2004

FE SPECIFICATIONS



A. Wheelbase (in.)

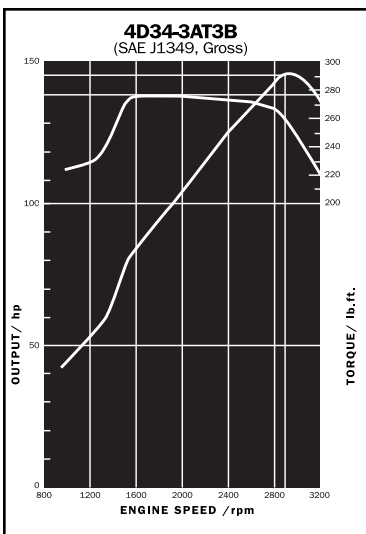
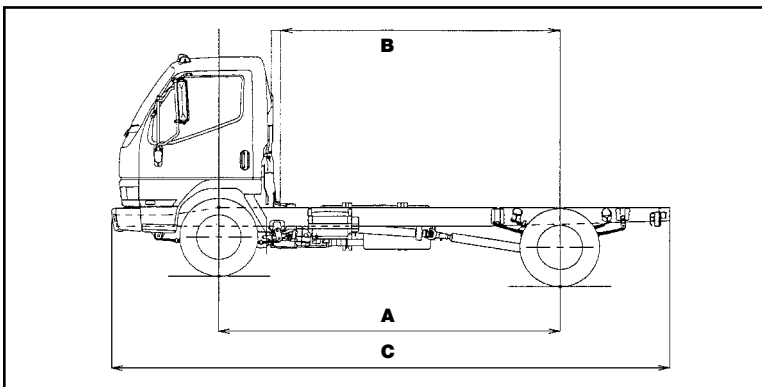
108.3/131.9/148.0

B. Usable cab to rear axle (in.)

83.1/106.7/122.9

C. Overall length (in.)

192.3/215.7/232.1



2004

MITSUBISHI FUSO
TRUCK OF AMERICA, Inc.
2015 Center Square Road
Logan Twp., NJ 08085

For the dealer nearest you,
or for more information,
call: **877-202-9650**

Or visit our web site at:
www.mitfuso.com

NOT AVAILABLE IN CALIFORNIA

Vehicle specifications are subject to change without notice. Photos and descriptions included on this spec sheet may vary in comparison to actual vehicle models.

♻️ PRINTED IN THE U.S.A. ON RECYCLED AND RECYCLABLE PAPER 7/03. ©2003 MITSUBISHI FUSO TRUCK OF AMERICA, Inc.

MKT0402