

# PARTS LIST

"SUPER-SIX"  
MODELS 10-0 to 12-0 Inclusive



June 25, 1920

First Edition

Hudson Motor Car Company

Detroit, Michigan

### NOTICE

Whenever possible kindly avoid ordering parts direct from the factory, as all Hudson dealers carry a full line of spare parts and are in position to render prompt service.

There are no Delco parts shown in this list as we do not carry them in stock, and if any repairs or replacements are wanted order them direct from the United Motor Services who no doubt have a service station in your vicinity.

# HUDSON MODEL 10-O

## "SUPER-SIX"

**Note:**--In placing orders for parts always refer to them by full part number shown at extreme left of each page describing the parts. In addition always give the name of the part in full; you cannot be too explicit in writing your specifications. Describe the part fully and ALWAYS GIVE CAR NUMBER WITH THE ORDER. If in doubt as to type of car, refer to illustrations below. The car number will be found on metal plate attached to front seat head board, or under the bonnet next to the vacuum tank on the extreme left side of dash.

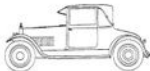
All car numbers in this Series are prefixed with either the figure and letter 10-O, 11-O or 12-O and the car number is of no value to us without this information.



PHAETON 7 Pass. (P.) L. H. Drive 0-5600 to 0-20999  
PHAETON 7 Pass. (P.) R. H. Drive 0-2900 to 0-20999



PHAETON 4 Pass. (4P.) L. H. Drive 0-30000 to 0-40999  
PHAETON 4 Pass. (4P.) R. H. Drive 0-40000 to 0-40999



Runabout London (R. L.) L. H. Drive 0-00000 to 0-01999



COUPE 4 Pass. (4C.) L. H. Drive 0-50000 to 0-50499



TOURING LIMOUSINE (T. L.) L. H. Drive  
0-60000 to 0-60999



TOURING SEDAN (T. S.) L. H. Drive 0-70000 to 0-79999

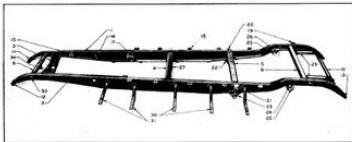


LIMOUSINE (L.) L. H. Drive 0-80000 to 0-81499

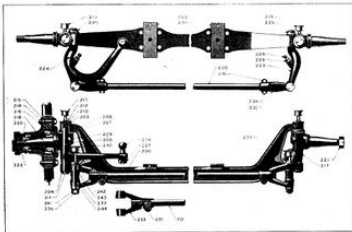
## LIST OF ILLUSTRATIONS

- |  |  |  |
|--|--|--|
| <p>1 FRAME<br/>2 FRONT AXLE<br/>3 SPRING<br/>4 REAR AXLE<br/>5 WHEELS<br/>6 UNIVERSAL JOINT<br/>7 STEERING GEAR—TYPE L<br/>8 CONTROL LEVER<br/>9 PEDAL CONTROL<br/>10 BRAKE CONTROL<br/>11 SEAT, TORSIBLE AND Oil CONTROL<br/>12 MOTOR—SIDE VIEW</p> | <p>13 MOTOR—END VIEW<br/>14 PAN<br/>15 CLUTCH<br/>16 TRANSDRUM<br/>17 RADIATOR SUCTION AND THROTTLE<br/>18 CARBURETOR<br/>19 LAMP<br/>20 CARBURETOR AIR AND GAS CONTROL<br/>21 DEAD LINE<br/>22 GASOLINE AND VACUUM TANK<br/>23 WINDSHIELD—7 PASSENGER PRAXTON</p> | <p>24 WINDSHIELD—4 PASSENGER PRAXTON<br/>25 HEATER SYSTEM<br/>26 BODY—7 PASSENGER PRAXTON<br/>27 BODY—4 PASSENGER PRAXTON<br/>28 STEERING GEAR—R. H. DRIVE<br/>29 CONTROL LEVER—R. H. DRIVE<br/>30 PEDAL CONTROL—R. H. DRIVE<br/>31 BRAKE CONTROL—R. H. DRIVE<br/>32 SPARK, THROTTLE AND Oil CONTROL—R. H. DRIVE<br/>33 WIRING</p> |
|--|--|--|

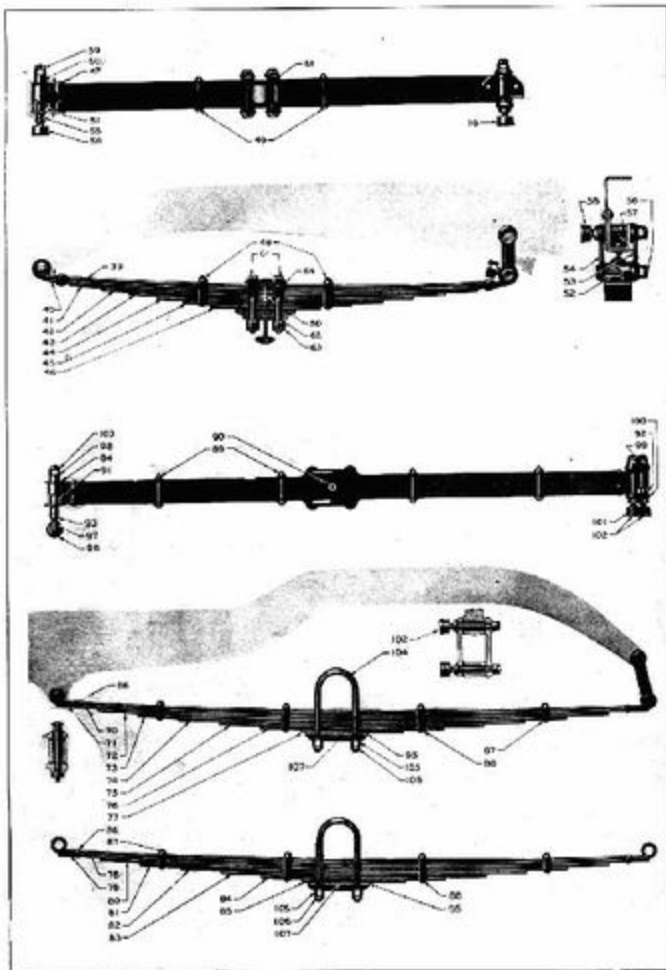
### FRAME—SUPER-SIX—MODEL 10-0



### FRONT AXLE—SUPER-SIX—MODEL 10-0

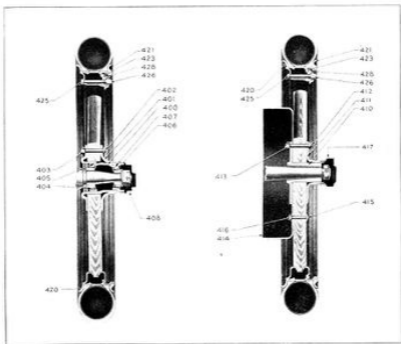


SPRINGS—SUPER SIX—MODEL 10-O

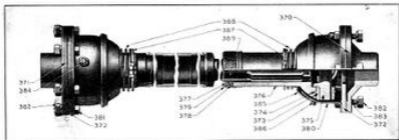




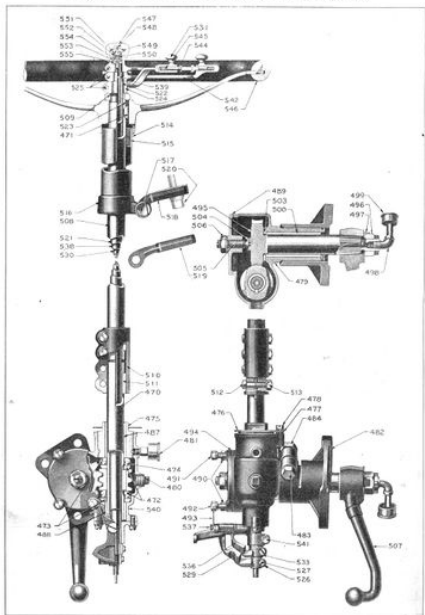
WHEELS—SUPER-SIX—MODEL. 10-O



UNIVERSAL JOINT—SUPER-SIX—MODEL. 10-O

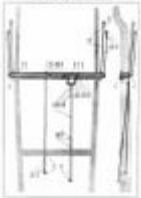


STEERING GEAR—TYPE L.—SUPER-SIX—MODEL 10-O

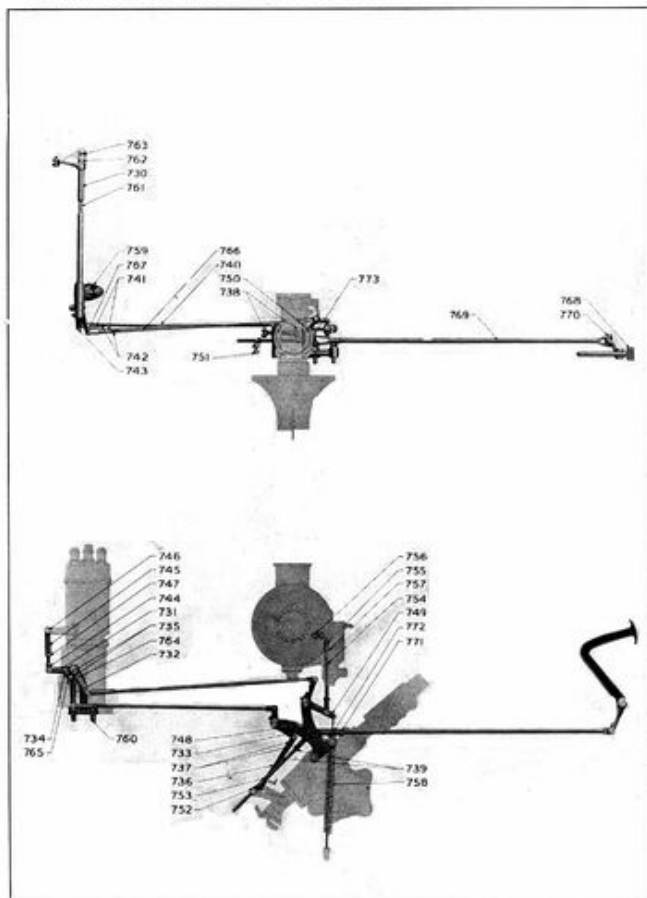


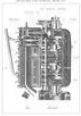






SPARK, THROTTLE AND OIL CONTROL—SUPER-SIX—MODEL 10-0

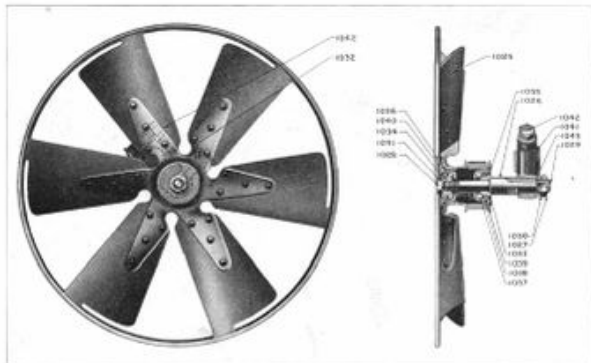






CHILD SITTING ON FLOOR SURROUNDED BY TOYS

FAN—SUPER-SIX—MODEL 10-0



CLUTCH—SUPER-SIX—MODEL 10-0

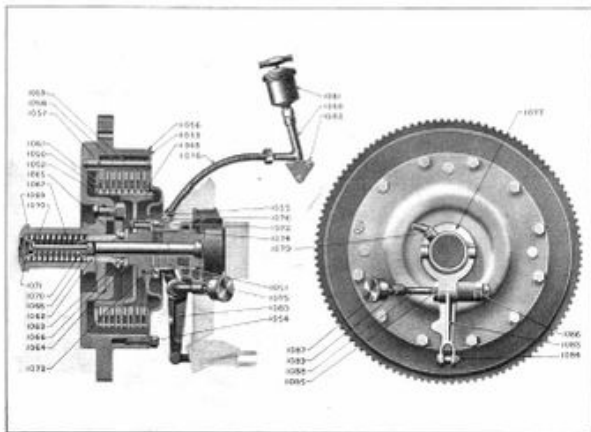


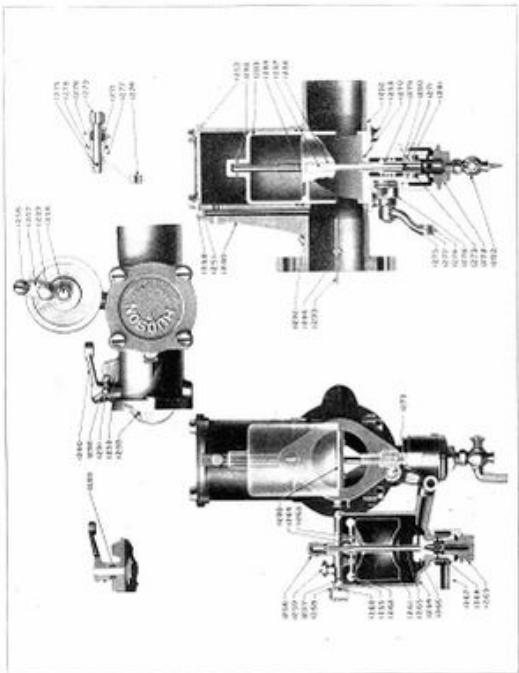




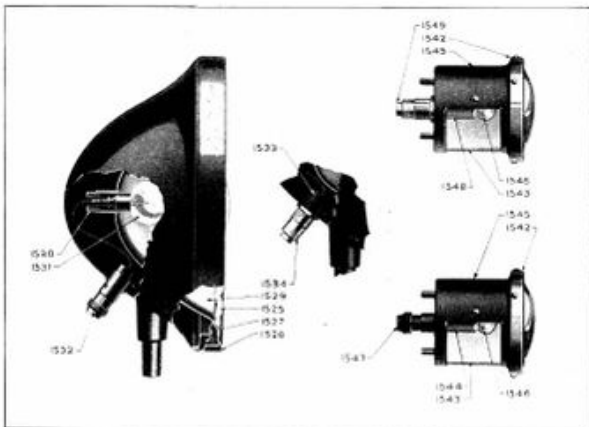
FIG. 1



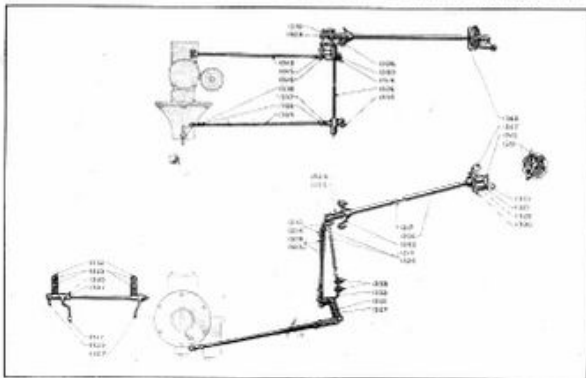
CARBURETOR—SUPER-SIX MODEL 16-0



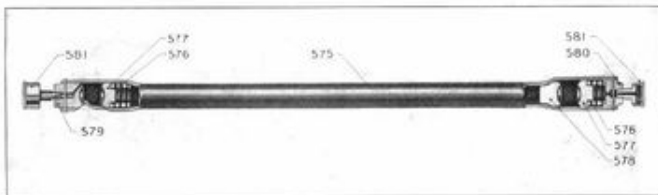
LAMPS—SUPER-SIX—MODEL 10-0



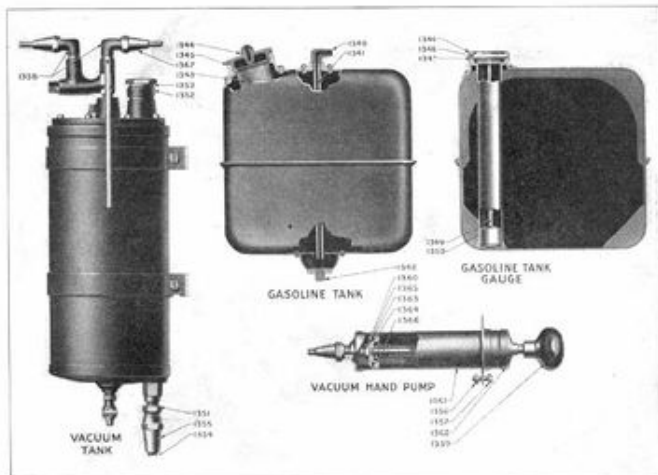
CARBURETOR AIR AND GAS CONTROL—SUPER-SIX—MODEL 10-0



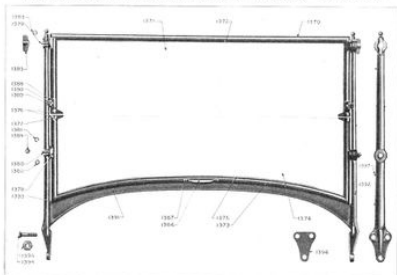
DRAG LINK—SUPER-SIX—MODEL 10-O



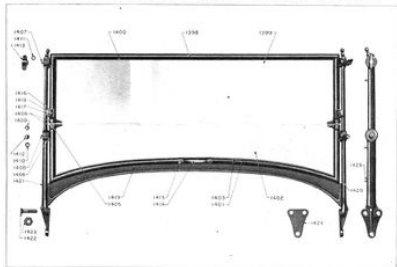
GASOLINE AND VACUUM TANKS—SUPER-SIX—MODEL 10-O



WINDSHIELD—7 PASSENGER PHAETON—SUPER-SIX—MODEL 10-O



WINDSHIELD—4 PASSENGER PHAETON—SUPER-SIX—MODEL 10-O



HEATER SYSTEMS USED ON 4-C., T. S., L., AND T. L. ONLY



4 PASS COUPE



TOURING SEDAN



TOURING LIMOUSINE

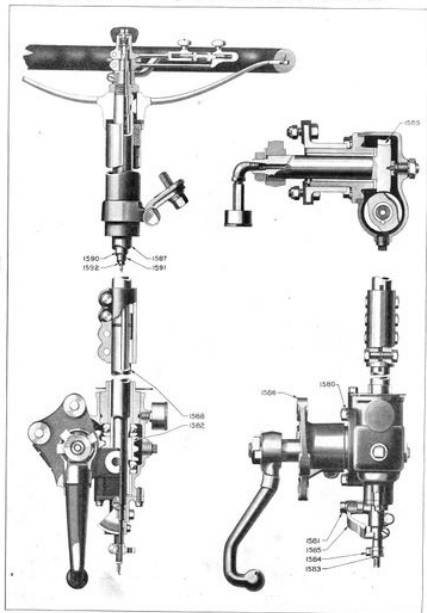


LIMOUSINE



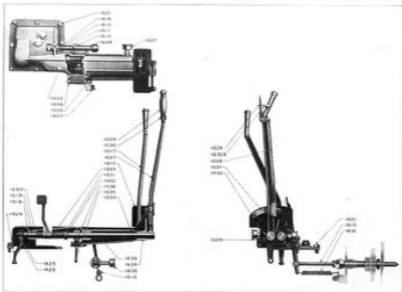


STEERING GEAR—R. H. DRIVE—SUPER-SIX—MODEL 10-O





CONTROL LEVERS—R. H. DRIVE—SUPER-SIX—MODEL 10-O

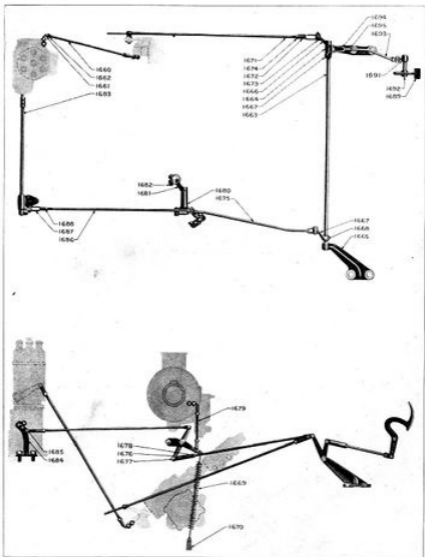


PEDAL CONTROL—R. H. DRIVE—SUPER-SIX—MODEL 10-O





SPARK, THROTTLE AND OIL CONTROL—R. H. DRIVE  
 SUPER-SIX—MODEL 10-O





## INDEX TO PARTS MODEL 10-0

	PAGES		PAGES
Axles .....	3-6	Timing Gears .....	14
Front Axles .....	2-3	Distributor Drive Shaft Group.....	14-15
Rear Axle .....	3-6	Cylinder .....	15
Battery Suspension .....	34	Exhaust Manifold .....	15
Bodies .....	27-29	Valves .....	15
Phaeton Body—7P, .....	27-28	Piston .....	16
Phaeton Body—4P, .....	28-29	Connecting Rod .....	16
Bonnet .....	20	Water Pump .....	16
Brakes .....	4-5	Muffler and Exhaust Pipe.....	22
Brake Control .....	10-11	Pedal Control .....	10
Carburetor .....	20-21	Radiator Shutter Assembly.....	19-20
Carburetor Muffler .....	21	Rims .....	6
Carburetor Air and Gas Control.....	21-22	Running Boards .....	26
Closed Bodies .....	42-54	Sod Pan.....	26
Clutch .....	17	Splash Guards.....	26
Control Levers, Starter, Brake, Hand and Clutch..	9-10	Springs .....	1-2
Control Spark Throttle and Oil.....	11-12	Front Springs .....	1-2
Cowl Instruments .....	26-27	Rear Springs .....	2
Drag Link .....	9	Speedometer Service Stations.....	33-34
Fan .....	16-17	Starting Crank .....	17
Fenders .....	25-26	Steering Gear .....	8-9
Frame .....	1	Terminals, Clips and Ferrules.....	36
Gasoline Tank .....	23	Tire Brackets .....	32
Gasoline Vacuum Tank.....	23	Toe Plate .....	29-30
Gasoline Primer .....	23-24	Tool Equipment .....	35
Junction Post .....	36	Tops.....	30-32
Heater .....	23	Transmission .....	18-19
Horn Sparator .....	32	Universal Joint and Propeller Shaft.....	5-6
Lamps .....	34-35	Wheels, Front .....	6
Lamp and License Tag Bracket.....	36	Wheels, Rear .....	6
Motor .....	12-16	Wire Wheels Service Stations, Houk.....	7
Crankcase Assembly .....	12	Windshields .....	24-25
Crankcase Lower Assembly.....	12	Wiring .....	27-28
Crankshaft and Camshaft Group.....	12-14	W. H. Drive Parts.....	37
Flywheel .....	14		

## FRAME

Used on all models except where noted

Part No.	NAME OF PARTS	Illustration No.	No. Req.
20176	Frame Assembly (Includes all parts riveted to frame with the exception of running board brackets.) (Used on T.P. only).....		1
20174	Frame Assembly (Including all parts riveted to frame with the exception of running board brackets. (Used on 4C, 4P, T. S. Lim., V. L. and H. L.).....		1
20204	Frame Side Member Assembly—Right (Used on all models except T.P.).....	1	1
20205	Frame Side Member Assembly—Left (Used on all models except T.P.).....	2	1
20206	Frame Side Member Assembly—Right (Used on T.P. only).....	1	1
20207	Frame Side Member Assembly—Left (Used on T.P. only).....	2	1
18774	Frame Cross Member.....	2	1
18697	Frame Front Middle Cross Member Assembly.....	4	1
18698	Frame Rear Middle Cross Member Assembly.....	4	1
18699	Frame Rear Cross Member.....	4	1
20187	Frame Front Cross Tube.....	8	2
18618	Frame Rear Cross Tube.....	10	2
18611	Frame Front End—Right.....	11	1
18612	Frame Front End—Left.....	12	2
18613	Frame Rear End.....	13	2
18614	Front Spring Frame Bracket—Rear (Includes 132 Bushing).....	14	2
18224	Spring Bushing.....	14	4
18616	Motor Support—Front Right.....	15	1
18619	Motor Support—Front Left.....	15	1
18620	Motor Support Rear.....	17	2
18221	Body Bracket.....	18	10
18685	Body Bracket—Rear (Used on T.P. only).....	19	2
14517	Body Bracket Shim.....	19	2
18222	Brake Cross Shaft Bracket—Right.....	20	1
18228	Brake Cross Shaft Bracket—Left.....	21	1
18616	Frame Rear Spring Front Bracket—Right.....	22	1
18617	Frame Rear Spring Front Bracket—Left.....	23	1
18229	Rear Spring Hanger.....	23	2
662	Rear Spring Hanger Plate.....	23	2
5845	Rear Spring Bumper.....	25	2
18623	Rear Spring Bumper Strap.....	26	2
18624	Nutler Hanger—Front.....	27	2
18624	Mulher Hanger—Rear.....	27	1
18625	Gasoline Tank Bracket.....	29	2
906	Gasoline Tank Hex. Cap Screw—1 1/2" x 1/4".....	4	4
122	Gasoline Tank Bracket Hex. Cap Screw Nut 3/4" x 1/4".....	4	4
18626	Gasoline Tank Bracket Lining.....	4	4
18289	Running Board Bracket.....	10	6
18647	Front Fender and Running Board Bracket.....	11	4
18775	Front Fender Bracket—Right.....	11	4
18776	Front Fender Bracket—Left.....	12	1
14921	Radiator Shell Supporting Bracket.....	13	2
2704	Radiator Shell Supporting Bracket Hex. Bolt 3/4" x 3/4".....	13	2
18271	Bonnet to Frame Filler Strip—Right.....	1	1
18272	Bonnet to Frame Filler Strip—Left.....	1	1
89	Bonnet to Frame Filler Strip Brass Bolt 5/16" x 1 1/2".....	1	1
18621	Starting Crank Bracket.....	14	4
18622	Starting Crank Bracket Bolt.....	14	2
110	Starting Crank Bracket Bolt Nut 3/4" x 1 1/2".....	14	2

## FRONT SPRINGS

Used on all models except where noted

20546	Front Spring Assembly.....	29	2
20112	Front Spring Leaf No. 1 48 1/2" Long (Includes Bushings).....	29	2
20548	Front Spring Leaf No. 2 28 1/2" Long (Includes Clips).....	40	2
20549	Front Spring Leaf No. 3 22 1/2" Long.....	41	2
20550	Front Spring Leaf No. 4 21 1/2" Long.....	42	2
20551	Front Spring Leaf No. 5 22 1/2" Long.....	43	2
20552	Front Spring Leaf No. 6 17 1/2" Long.....	44	2
20553	Front Spring Leaf No. 7 13" Long (Includes Clips).....	45	2
20554	Front Spring Leaf No. 8 18" Long.....	46	2
19720A	Front Spring Leaf Clip—Small (Used on No. 2 Leaf).....	47	4
21870	Front Spring Leaf Clip—Large (Used on No. 6 Leaf).....	48	4
19220C	Front Spring Bolt and Nut.....	49	4
19720D	Front Spring Leaf Center Bolt and Nut.....	54	2
18924	Front Spring Bushing (Plate).....	51	2
18336	Front Spring Bushing (Tapped).....	52	2
18374	Front Spring Shackle (Tapped).....	53	2
18073	Front Spring Shackle (Plain).....	54	2
16345	Front Spring Front End Bolt.....	53	2
16326	Front Spring Rear End Bolt.....	56	2
16345	Front Spring Shim.....	57	2
12410	Front Spring Bolt No. 0 Short Stem Grease Cup.....	58	4
16841	Front Spring Bolt Shim.....	58	4
18337	Front Spring Bolt Canvas Shim.....	59	2
16326	Front Spring Bolt Adjusting Nut.....	59	2
16842	Front Spring Front Bolt Adjusting Sleeve.....	60	2

## FRONT SPRINGS—Continued

Part No.	NAME OF PARTS	Illustration No.	No. Req.
20535	Front Spring Clip	61	4
88	Front Spring Clip Hex. Nut $\frac{5}{8}$ "-18x $\frac{1}{2}$ "	67	8
5523	Front Spring Clip Hex. Nut $\frac{5}{8}$ "-18 x $\frac{1}{2}$ "	67	8
13384	Front Spring Clip Spacer	64	2

## REAR SPRING

Used on all models except where noted.

20992	Rear Spring Assembly (Used on T. H. Lim. & T. L. only)		1
21668	Rear Spring Leaf No. 1 65 $\frac{1}{2}$ " Long (Includes Bushings)	70	2
21669	Rear Spring Leaf No. 2 67 $\frac{1}{2}$ " Long (Includes Clips)	71	2
21670	Rear Spring Leaf No. 3 49 $\frac{1}{2}$ " Long	72	2
21671	Rear Spring Leaf No. 4 41 $\frac{1}{2}$ " Long (Includes Clips)	73	2
21672	Rear Spring Leaf No. 5 24 $\frac{1}{2}$ " Long	74	2
21673	Rear Spring Leaf No. 6 27 $\frac{1}{2}$ " Long (Includes Clips)	75	2
21674	Rear Spring Leaf No. 7 20 $\frac{1}{2}$ " Long (Includes Clips)	76	2
21675	Rear Spring Leaf No. 8 13 $\frac{1}{2}$ " Long	77	2
19725	Rear Spring Assembly (Used on 4 P., 4 C. and R. L. only)		1
20127	Rear Spring Leaf No. 1 65 $\frac{1}{2}$ " Long (Includes Bushings)	78	2
20128	Rear Spring Leaf No. 2 57 $\frac{1}{2}$ " Long (Includes Clips)	79	2
20121	Rear Spring Leaf No. 3 49 $\frac{1}{2}$ " Long	80	2
20122	Rear Spring Leaf No. 4 41 $\frac{1}{2}$ " Long (Includes Clips)	81	2
20123	Rear Spring Leaf No. 5 24 $\frac{1}{2}$ " Long	82	2
20124	Rear Spring Leaf No. 6 27 $\frac{1}{2}$ " Long	83	2
20125	Rear Spring Leaf No. 7 20 $\frac{1}{2}$ " Long (Includes Clips)	84	2
20126	Rear Spring Leaf No. 8 12 $\frac{1}{2}$ " Long	85	2
19725A	Rear Spring Leaf No. 1 65 $\frac{1}{2}$ " Long (Used on No. 2 Leaf)	86	4
19725B1	Rear Spring Leaf Clip—Medium (Used on No. 4 Leaf)	87	4
19725C	Rear Spring Leaf Clip—Large (Used on No. 7 Leaf)	88	4
19725D	Rear Spring Leaf Bolt and Nut	89	16
19725E	Rear Spring Leaf Center Bolt and Nut	90	2
13381	Rear Spring Front Bushing	91	2
13324	Rear Spring Bushing Rear End	92	2
16340	Rear Spring Front Bolt	93	2
16344	Rear Spring Front Bolt Shim	94	4
13342	Rear Spring Canvas Shim	95	4
12418	Rear Spring Front Bolt No. 8 Long Stem Grease Cup	96	2
12403	Rear Spring Front Bolt No. 6 Long Stem Grease Cup	97	2
16343	Rear Spring Front Bolt Adjusting Sleeve	98	2
18572	Rear Spring Shackles (Tapped)	99	2
18575	Rear Spring Shackles (Plain)	100	2
16355	Rear Spring Bolt No. 8 Short Stem Grease Cup	101	4
12416	Rear Spring Bolt No. 6 Short Stem Grease Cup	102	4
16352	Rear Spring Bolt Adjusting Nut	103	6
19728	Rear Spring Clip	104	4
88	Rear Spring Clip Hex. Nut $\frac{5}{8}$ "-18x $\frac{1}{2}$ "	105	8
5523	Rear Spring Clip Hex. Nut $\frac{5}{8}$ "-18x $\frac{1}{2}$ "	106	8
13339	Rear Spring Plate	107	2

NOTE.—We are using two makes of axles on this model, Timken and Hudson, and a few of the parts are not interchangeable only as an assembly. In order to distinguish the difference between them, note the serial number and letter stamped on the Hudson made axles.

The letter "O" precedes the axle number on rear axles having a gear ratio of 4.5-1 to 1.

The letter "F" precedes the axle number on rear axles having a gear ratio of 4 $\frac{1}{2}$ -1 to 1.

The letters "O L" precede the axle number on L. H. drive front axles.

The letters "O R" precede the axle number on R. H. drive front axles.

On Timken made axles the letter "H" precedes the axle number on the rear axle, and on the front axles no letter is used.

The character \* is used before the part number on Timken non-interchangeable parts.

The character † is used before the part number on Hudson non-interchangeable parts.

Parts without either of these characters before part number are interchangeable. If in doubt as to make of axle parts are wanted for give the axle number with the order.

\* Timken make.

† Hudson make.

## FRONT AXLE

Used on all models except where noted.

Tim-18983	Front Axle Assembly		1
Tim-16691	Front Axle Center (Includes Bushings)	200	1
Tim-18626	Front Axle Spring Shim—Right	201	1
Tim-18627	Front Axle Spring Shim—Left	202	1
Tim- 9712	Front Axle Spindle Pivot Pin Bushing—Upper	203	2

## FRONT AXLE—Continued

Part No.	NAME OF PARTS	Illustration No.	No. Req.
Tim-9713	Front Axle Spindle Pivot Pin Bushing—Lower	204	2
Tim-10008	Front Axle Spindle Shim—Medium Thick		2
Tim-10909	Front Axle Spindle Shim—Medium		2
Tim-10910	Front Axle Spindle Shim—Thin		2
Tim-10055	Front Axle Spindle Thrust Washer	206	2
Tim-10525	Front Axle Spindle Thrust Washer—Lower	207	2
Tim-13204	Front Axle Spindle Pivot Pin	208	2
Tim-13205	Front Axle Spindle Pivot Pin Lock	209	2
Tim-9714	Front Axle Spindle Pivot Pin Dust Shield—Upper	210	2
Tim-9715	Front Axle Spindle Pivot Pin Dust Shield—Lower	211	2
Tim-9727	Front Axle Spindle Pivot Pin Dust Washer	212	2
13216	Front Axle Spindle Pivot Pin Grease Cap No. 0 and Nut	213	2
Tim-14887	Front Axle Spindle—Left	214	2
Tim-14942	Front Axle Spindle Dust Retainer—Outer	215	2
Tim-15287	Front Axle Spindle Dust Washer Retainer—Inner	216	2
Tim-9702	Front Axle Spindle—Right	217	2
*Tim-9703	Front Axle Spindle—Left	218	1
† 21602	Front Axle Spindle L. H.		1
13216	Front Axle Spindle Grease Cap No. 0—Short Stem	219	2
Tim-9603	Front Axle Taper Key		2
Tim-14325	Front Axle Spindle Washer	220	2
*Tim-9709	Front Axle Spindle Nut—Right	221	1
† 21608	Front Axle Spindle Nut R. H.		1
*Tim-9710	Front Axle Spindle Nut—Left	222	1
† 21609	Front Axle Spindle Nut L. H.		1
Tim-9716	Front Axle Steering Arm—Right	223	2
Tim-9717	Front Axle Steering Arm—Left	224	2
*Tim-9719	Front Axle Steering Arm Nut	225	2
† 21605	Front Axle Steering Arm Nut		2
Tim-9718	Front Axle Steering Arm Ball	226	2
Tim-9720	Front Axle Steering Arm Key	227	2
Tim-9721	Front Axle Steering Arm Castle Nut $\frac{3}{8}$ "-14 x $\frac{3}{4}$ "	228	2
Tim-9720	Front Axle Steering Arm Square Head Set Screw $\frac{3}{8}$ "-14 x $\frac{3}{4}$ "	229	2
110	Front Axle Steering Arm Hexagon Nut		1
*Tim-10480	Front Axle Tie Rod Complete—Includes Tim-1847 to Tim-9714	230	2
† 20869	Front Axle Tie Rod Complete (Includes 20470, 20469, 20556 and 9726)		2
*Tim-10479	Front Axle Tie Rod	230	2
† 20870	Front Axle Tie Rod	231	1
*Tim-20462	Front Axle Tie Rod Clevis Assembly (Includes 18843 and 18842)	232	2
† 20804	Front Axle Tie Rod Clevis Assembly (Includes 20463, 20556 and 9726)		2
*Tim-9722	Front Axle Tie Rod Clevis	232	2
† 20869	Front Axle Tie Rod Clevis	232	2
Tim-9732	Front Axle Tie Rod Clevis Cap Screw $\frac{3}{8}$ "-14 x $\frac{3}{4}$ "	234	2
† 2556	Front Axle Tie Rod Clevis Hex. Cap Screw $\frac{3}{8}$ "-14 x $\frac{3}{4}$ "	235	2
Tim-9726	Front Axle Tie Rod Clevis Cap Screw Nut $\frac{3}{8}$ "-14 x $\frac{3}{4}$ "	236	2
Tim-10858	Front Axle Tie Rod Clevis Pin	237	2
Tim-9723	Front Axle Tie Rod Clevis Pin Nut $\frac{3}{8}$ "-28 x $\frac{3}{4}$ "	238	2
13216	Front Axle Tie Rod Clevis Pin No. 0 Grease Cup (Used on R.H. side)	239	1
13218	Front Axle Tie Rod Clevis Pin No. 0 Grease Cup (Used on L.H. side)	240	1
Tim-10859	Front Axle Tie Rod Clevis Pin Washer	241	2
Tim-10860	Front Axle Tie Rod Clevis Pin Dust Cap	242	2
Tim-10861	Front Axle Tie Rod Clevis Pin Bushing—Upper	243	2
Tim-10862	Front Axle Tie Rod Clevis Pin Bushing—Lower	244	2

NOTE.—When ordering Front or Rear Axle Parts be sure and put the abbreviation Tim. before the part number. For example: Tim-18983 Front Axle Assembly.

## REAR AXLE

Used on all models except where noted

Tim-19319	Rear Axle Assembly 4 9/10-1 Ratio	1
Tim-19074	Rear Axle Assembly 4 5/11-1 Ratio	1
Tim-19565	Rear Axle Housing Assembly	1
Tim-20709	Rear Axle Housing Sleeve Oil Retainer—Inner	246
Tim-20710	Rear Axle Housing Sleeve Oil Retainer—Outer	247
Tim-20711	Rear Axle Housing Sleeve Felt Washer (Large)	248
Tim-20712	Rear Axle Housing Sleeve Felt Washer (Small)	249
Tim-19021	Rear Axle Housing Cover	250
Tim-19022	Rear Axle Housing Cover Gasket	251
Tim-1157	Rear Axle Housing Cover Cap Screw	251
Tim-3219	Rear Axle Housing 1" Socket Pipe Plug	10
Tim-19025	Rear Axle Brake Drum Shield	252
Tim-19026	Rear Axle Brake Support Hub (R.H.)	254
Tim-19024	Rear Axle Brake Support Hub (L.H.)	255
Tim-19071	Rear Axle Differential Carrier and Gear Set Assembly 4 9/10-1 Ratio	1
Tim-19072	Rear Axle Differential Carrier and Gear Set Assembly 4 5/11-1 Ratio	1
Tim-19067	Rear Axle Differential Carrier Assembly (Includes Parts 2053, 9459, 9456, 9458, 9461, 9452 and 19233)	1
Tim-19023	Rear Axle Differential Carrier Gasket	260



## REAR AXLE—Continued

Part No.	NAME OF PARTS	Illustration No.	QTY.
Time 1306	Rear Axle Differential Carrier Maxonon Head Bolt $5/8" \times 1 1/2"$ .....	261	10
Time 10326	Rear Axle Differential Carrier (Not sold separately).....	262	1
Time 9620	Rear Axle Differential Bearing Cup (Not sold separately).....	262	4
Time 9641	Rear Axle Differential Bearing Cup Bolt.....	262	2
Time 9632	Rear Axle Differential Bearing Cup Bolt Wire.....	262	2
Time 9660	Rear Axle Differential Bearing Adjusting Nut.....	262	2
Time 9608	Rear Axle Differential Bearing Adjusting Nut Lock.....	262	2
Time 12483	Rear Axle Differential Carrier 1 Pipe Plug.....	272	1
Time 12184	Rear Axle Differential Carrier 1 Pipe Plug.....	272	1
Time 9719	Rear Axle Differential Carrier $3/4"$ Pipe Plug.....	272	1
Time 18611	Rear Axle Differential Carrier Bolt $3/4" \times 2 1/2"$ .....	272	1
Time 1462	Rear Axle Differential Carrier Bolt $3/4" \times 2 1/2"$ .....	272	1
Time 19122	Rear Axle Differential Case—R. H. (Sold only in Pairs).....	274	1
Time 19140	Rear Axle Differential Case—T. H. (Sold only in Pairs).....	274	1
Time 9955	Rear Axle Differential Case Cap Screw.....	274	4
Time 9241	Rear Axle Differential Case Cap Screw Lock Wire.....	277	1
Time 9787	Rear Axle Differential Spider.....	278	2
Time 9765	Rear Axle Differential Gear.....	278	2
Time 9766	Rear Axle Differential Pinion.....	278	2
Time 19130	Rear Axle Drive Gear 4 9/10 (Not sold without Pinion).....	281	1
Time 19189	Rear Axle Drive Pinion 4 9/10.....	281	1
Time 19192	Rear Axle Drive Gear 5 1/15 1 (Not sold without Pinion).....	281	1
Time 19191	Rear Axle Drive Pinion 4 1/15 1.....	281	1
Time 5667	Rear Axle Drive Gear.....	282	10
Time 18666	Rear Axle Differential Case Timken Bearing Assembly—No. 317.....	282	2
Time 18637	Rear Axle Differential Case Timken Cone and Hells—No. 317.....	282	2
Time 6262	Rear Axle Differential Case Timken Outer Cup No. 329.....	282	2
Time 19569	Rear Axle Pinion Shaft Bearing Cage Assembly (Includes Timken Cup).....	285	1
Time 18606	Rear Axle Pinion Shaft Front Timken Bearing Assembly—No. 219-312.....	285	1
Time 18696	Rear Axle Pinion Shaft Front Timken Bearing Cone and Rolls No. 359.....	286	1
Time 2442	Rear Axle Pinion Shaft Front Timken Bearing Outer Cup No. 242.....	287	1
Time 12413	Rear Axle Pinion Shaft Hour Timken Bearing No. 437-12.....	288	1
Time 9698	Rear Axle Pinion Shaft Hour Timken Bearing Cone and Rolls No. 437.....	288	1
Time 12412	Rear Axle Pinion Shaft Hour Timken Bearing Outer Cup No. 432.....	288	1
Time 19144	Rear Axle Pinion Shaft Felt Washer.....	289	1
Time 19145	Rear Axle Pinion Shaft Felt Washer Retainer.....	289	1
Time 19142	Rear Axle Pinion Shaft Front Bearing Adjusting Sleeve.....	292	1
Time 19141	Rear Axle Pinion Shaft Front Bearing Adjusting Sleeve Lock Nut.....	292	1
Time 19142	Rear Axle Pinion Shaft Front Bearing Adjusting Sleeve Lock Nut.....	292	1
Time 19140	Rear Axle Pinion Shaft Front Bearing Adjusting Sleeve Washer.....	292	1
Time 19320	Rear Axle Pinion Shaft Caps Lock.....	297	1
Time 12416	Rear Axle Pinion Shaft No. 6 Sheet Steel Grease Cup.....	298	2
8606	Universal Joint Companion Flange Rear End.....	298	2
9699	Universal Joint Flange Key.....	260	1
Time 10971	Rear Axle Pinion Shaft Nut Front.....	301	2
Time 21008	Rear Axle Drive Shaft Assembly.....	302	2
Time 9684	Rear Axle Drive Shaft Nut $5/8" \times 1 1/2"$ .....	302	2
Time 9688	Rear Axle Throw Shaft Key.....	302	2
Time 12452	Rear Axle Drive Shaft Timken Bearing Assembly—No. 448.....	304	2
Time 12406	Rear Axle Drive Shaft Timken Bearing Cone and Rolls No. 453.....	304	2
Time 12497	Rear Axle Drive Shaft Timken Bearing Outer Cup—No. 464.....	304	2
Time 19296	Rear Axle Drive Shaft Felt Washer Retainer.....	304	2
Time 12622	Rear Axle Drive Shaft Felt Washer.....	307	4
Time 12574	Rear Axle Wheel Bearing Adjusting Nut Assembly (Includes 12497 and 20994).....	308	2
Time 20994	Rear Axle Wheel Bearing Adjusting Nut Pin Washer.....	308	2
Time 18654	Rear Axle Wheel Bearing Adjusting Nut Lock.....	311	2
Time 9698	Rear Axle Wheel Bearing Adjusting Nut Bolt Nut $5/8" \times 1 1/2"$ .....	312	2
Time 9698	Rear Axle Wheel Bearing Adjusting Nut Bolt Nut $5/8" \times 1 1/2"$ .....	312	2
Time 19116	Rear Axle Wheel Bearing No. 6 Long Stem Grease Cup.....	313	2

## EXTERNAL BRAKE

Used on all models except where noted

*Time 19582	Rear Axle External Brake Band Assembly—R. H. (Includes Parts 18621, 18682, 19956, 9618, 9694, 9684, 12179 and 9611).....	314	1
† 20674	Rear Axle External Brake Band Assembly—R. H. (Includes Parts 18621, 18682, 9618, 9618, 9618, 9524, 961, 786 and 10654).....	314	2
*Time 19583	Rear Axle External Brake Band Assembly—L. H. (Includes Parts 18622, 18683, 19956, 9618, 9694, 9684, 12179 and 9611).....	314	1
† 20675	Rear Axle External Brake Band Assembly—L. H. (Includes Parts 18622, 18683, 9618, 9618, 9618, 9594, 961, 786 and 10654).....	314	2
*Time 18681	Rear Axle External Brake Band.....	315	2
† 20653	Rear Axle External Brake Band.....	315	2
Time 18685	Rear Axle External Brake Band Liner.....	314	4
Time 9685	Rear Axle External Brake Band Liner.....	314	4
Time 9618	Rear Axle External Brake Band End Bracket—Lower.....	317	2
Time 9594	Rear Axle External Brake Band End Bracket—Upper.....	317	2
*Time 9691	Rear Axle External Brake Band End Bracket $5/8" \times 1 1/2"$ .....	318	14
*Time 19656	Rear Axle External Brake Anchor Pin Bracket.....	319	2
† 20654	Rear Axle External Brake Anchor Pin Bracket.....	319	2

## EXTERNAL BRAKE—Continued

Part No.	NAME OF PARTS	Illustration No.	No. in Car
*Tim-12179	Rear Axle External Brake Anchor Bracket Rivet $\frac{1}{2}$ " x $\frac{3}{4}$ "		2
† 1261	Rear Axle External Brake Anchor Pin Bracket Rivet $\frac{1}{2}$ " x $\frac{3}{4}$ "		2
*Tim-26238	Rear Axle Internal and External Brake Anchor Spring Seat	229	2
Tim-3226	Rear Axle Internal and External Brake Anchor Clip Pin	221	2
Tim-10972	Rear Axle Internal and External Brake Anchor Pin Spring	222	2
*Tim-10983	Rear Axle Internal and External Brake Anchor Pin Bracket Assembly (Includes 1935, 1935A and 1935B)		2
† 10953	Rear Axle Internal and External Brake Anchor Pin Bracket	226	2
*Tim-10954	Rear Axle Internal and External Brake Anchor Pin	225	2
† 21009	Rear Axle Internal and External Brake Anchor Pin	225	4
*Tim-10033	Rear Axle Internal and External Brake Anchor Pin Hex Nut $\frac{1}{2}$ "-16 x $\frac{3}{4}$ "	227	4
† 18003	Rear Axle Internal and External Brake Anchor Pin Rivet $\frac{1}{2}$ "-16 x $\frac{3}{4}$ "		10
*Tim-3197	Rear Axle Internal and External Brake Anchor Pin Bracket Rivet $\frac{1}{2}$ " x $\frac{3}{4}$ "	227	2
Tim-19074	Rear Axle External Brake Support Bracket—R. H.	228	1
† 19073	Rear Axle External Brake Support Bracket—L. H.	228	1
*Tim-3197	Rear Axle External Brake Support Bracket Rivet $\frac{1}{2}$ " x $\frac{3}{4}$ "	228	4
Tim-1249	Rear Axle External Brake Support Bracket Rivet $\frac{1}{2}$ " x $1\frac{1}{2}$ "		2
Tim-2636	Rear Axle External Brake Lever—R. H.	226	1
† 2637	Rear Axle External Brake Lever—L. H.	226	1
*Tim-2607	Rear Axle External Brake Lever Clevis Pin $\frac{1}{2}$ " x $2\frac{1}{2}$ "	222	2
† 2619	Rear Axle External Brake Tension Rod	224	4
*Tim-21033	Rear Axle External Brake Tension Rod	224	4
† 19684	Rear Axle External Brake Tension Rod Jam Nut	224	4
† 18062	Rear Axle External Brake Extension Rod Spring	225	2
*Tim-2604	Rear Axle External Brake Tension Rod Spring	225	2
† 2621	Rear Axle External Brake Tension Rod Spring	225	2
*Tim-2667	Rear Axle External Brake Operating Lever Adjustable Stop—R. H.	227	1
† 14193	Rear Axle External Brake Operating Lever Adjustable Stop—L. H.	227	1
† 14194	Rear Axle External Brake Operating Lever Adjustable Stop—L. H.	227	1
† 12248	Rear Axle External Brake Operating Lever Adjustable Stop Set Screw	228	2
† 132	Rear Axle External Brake Operating Lever Adjustable Stop Set Screw Nut	228	2
*Tim-16310	Rear Axle External Brake Adjusting Nut Assembly	241	2
† 21090	Rear Axle External Brake Adjusting Nut Assembly	241	2

## INTERNAL BRAKE

*Tim-15050	Rear Axle Internal Brake Band Assembly—R. H. (Includes Parts 19222, 16482, 17390, 19482, 2655, 19485 and 2011)		2
† 20687	Rear Axle Internal Brake Band Assembly—L. H. (Includes Parts 20656, 17390, 19482, 2657, 81, 2073, 788, 19485 and 2655)		1
*Tim-20144	Rear Axle Internal Brake Band Assembly—L. H. (Includes Parts 19222, 16482, 17390, 19485, 2655, 19307 and 2011)		2
† 20698	Rear Axle Internal Brake Band Assembly—L. H. (Includes Parts 20456, 17390, 19482, 2657, 81, 2073, 788, 19485 and 2655)		1
*Tim-19332	Rear Axle Internal Brake Band	242	2
† 20656	Rear Axle Internal Brake Band	242	4
† 19682	Rear Axle Internal Brake Band Lining Rivet $\frac{1}{2}$ " x $2\frac{1}{2}$ "	242	40
† 17990	Rear Axle Internal Brake Band End Bracket	244	4
† 19685	Rear Axle Internal Brake Band End Bracket Rivet $\frac{1}{2}$ " x $\frac{3}{4}$ "	244	12
† 2655	Rear Axle Internal Brake Anchor Pin Bracket	245	2
*Tim-19877	Rear Axle Internal Brake Anchor Pin Bracket	245	2
† 20657	Rear Axle Internal Brake Anchor Pin Bracket	245	12
*Tim-601	Rear Axle Internal Brake Anchor Pin Bracket Rivet $\frac{1}{2}$ " x $\frac{3}{4}$ "	245	12
† 81	Rear Axle Internal Brake Anchor Pin Bracket Rivet $\frac{1}{2}$ " x $\frac{3}{4}$ "	246	2
† 2639	Rear Axle Internal and External Brake Anchor Clip Pin	247	2
† 3236	Rear Axle Internal and External Brake Anchor Clip Pin	247	2
† 10972	Rear Axle Internal and External Brake Anchor Pin Spring	248	2
† 2626	Rear Axle Internal Brake Spring Clip	249	4
† 760	Rear Axle Internal Brake Drag Spring	250	2
† 19283	Rear Axle Internal Brake Band Spring Foot	251	2
† 10679	Rear Axle Internal Brake Spacer Bracket—R. H.	252	4
† 19090	Rear Axle Internal Brake Spacer Bracket Rivet $\frac{1}{2}$ " x $\frac{3}{4}$ "	252	4
† 544	Rear Axle Internal Brake Spacer Bracket Set Screw $\frac{1}{2}$ "-20 x $1\frac{1}{2}$ "	254	4
*Tim-5980	Rear Axle Internal Brake Spacer Bracket Set Screw Nut $\frac{1}{2}$ "-20 x $1\frac{1}{2}$ "	254	4
† 611	Rear Axle Internal Brake Stop Pin	255	2
† 19682	Rear Axle Internal Brake Stop Pin Head	255	2
† 2338	Rear Axle Internal Brake Stop Pin Head	255	2
† 2655	Rear Axle Internal Brake Band End Guide	258	2
† 19681	Rear Axle Internal Brake Toggle Shaft	259	2
† 19281	Rear Axle Internal Brake Toggle Shaft Bracket Assembly	260	2
† 19677	Rear Axle Internal Brake Toggle Shaft Bracket Rivet $\frac{1}{2}$ " x $\frac{3}{4}$ "	260	2
† 320	Rear Axle Internal Brake Operating Lever	261	2
† 19688	Rear Axle Internal Brake Operating Lever Hex Bolt $\frac{1}{2}$ "-16 x $1\frac{1}{2}$ "	262	2
† 275	Rear Axle Internal Brake Operating Lever Hex Bolt Nut $\frac{1}{2}$ "-16 x $\frac{3}{4}$ "	262	2
† 110	Rear Axle Internal Brake Toggle Shaft Link	264	4
† 3242	Rear Axle Internal Brake Toggle Shaft Link Clevis Pin $\frac{1}{2}$ " x $1\frac{1}{2}$ "	264	2
† 20682	Rear Axle Internal Brake Toggle Shaft Link Clevis Pin $\frac{1}{2}$ " x $1\frac{1}{2}$ "	264	2

## INTERNAL BRAKE—Continued

Part No.	NAME OF PARTS	Quantities	No. Eng.
Tim-2024	Rear Axle Internal Brake Link	168	2
Tim-2026	Rear Axle Internal Brake Link Rod End Male	168	2
Tim-2027	Rear Axle Internal Brake Link Rod End Female	170	2
Tim-21026	Rear Axle Internal Brake Release Spring	171	2
Tim-21400	Rear Axle Internal Brake Link Clevis Pin $\frac{1}{8}$ " x $1\frac{1}{2}$ "	271	4

## UNIVERSAL JOINTS AND PROPELLER SHAFT

Used on all models except where noted

18039	Universal Joint and Propeller Shaft Assembly	1	1
18081	Universal Joint Assembly—Rear and Propeller Shaft	1	1
20040	Universal Joint Assembly—Front	1	1
9005	Universal Joint Companion Flange—Front End	370	1
9006	Universal Joint Companion Flange—Rear End	371	1
7840	Universal Joint Flange Yoke	372	2
1067	Universal Joint Bushing	373	8
1065	Universal Joint Bushing Ring	274	4
7836	Universal Joint Journal	375	2
20145	Universal Joint Spline Yoke	376	1
7832	Universal Joint Dust Washer Retaining Ring	377	1
7831	Universal Joint Dust Washer	378	1
7834	Universal Joint Dust Cap	379	1
7843	Universal Joint Inside Casting	380	1
1078	Universal Joint Inside Casting Hex. Bolt $\frac{1}{2}$ "-18 x $1\frac{1}{2}$ "	381	6
12329	Universal Joint Inside Casting Hex. Nut $\frac{1}{2}$ "-18 x $1\frac{1}{2}$ "	382	12
12327	Universal Joint Inside Casting Hex. Head Cap Screw $\frac{1}{2}$ "-18 x $1\frac{1}{2}$ "	383	6
7829	Universal Joint Casting Plug	384	2
7833	Universal Joint Outside Casting	385	2
7835	Universal Joint Outside Casting Packing	386	2
20147	Universal Joint Casting Spring Retainer	387	4
18052	Universal Joint Casting Spring Retainer Bolt $\frac{1}{2}$ "-22 x $\frac{1}{2}$ "	388	4
18053	Universal Joint Casting Spring Retainer Nut $\frac{1}{2}$ "-22 x $\frac{1}{2}$ "	389	4
20146	Universal Joint Casting Spring	388	2
18058	Propeller Shaft	389	1

## FRONT WHEELS

Used on all models except where noted

20022	Front Wheel Assembly 34" x 4 $\frac{1}{2}$ " (Steel Felloe)	2	2
18047	Front Wheel Hub	2	2
19433	Front Wheel Hub Assembly	400	2
18048	Front Wheel Hub Flange	401	2
12460	Front Wheel Hub Flange Bolt $\frac{1}{2}$ "-14 x $2\frac{1}{2}$ "	402	24
551	Front Wheel Hub Flange Bolt Nut $\frac{1}{2}$ "-14 x $\frac{1}{2}$ "	403	24
Tim-6287	Front Wheel Inner Bearing Timken Cone and Rolls—No. 315	404	2
Tim-6078	Front Wheel Inner Bearing Timken Cup—No. 312	405	2
Tim-12347	Front Wheel Outer Bearing Timken Cone and Rolls—No. 415	406	2
Tim-12346	Front Wheel Outer Bearing Timken Cup—No. 412A	407	2
18270	Front Wheel Hub Cap	408	2

## REAR WHEELS

Used on all models except where noted

20021	Rear Wheel Assembly 34" x 4 $\frac{1}{2}$ " (Steel Felloe)	2	2
19421	Rear Wheel Hub	410	2
19422	Rear Wheel Hub Assembly	411	2
18010	Rear Wheel Hub Flange Bolt $\frac{1}{2}$ "-14 x $2\frac{1}{2}$ "	412	16
551	Rear Wheel Hub Flange Bolt Nut $\frac{1}{2}$ "-14 x $\frac{1}{2}$ "	413	16
18069	Rear Wheel Brake Drum	414	2
15516	Rear Wheel Spoke Bolt	415	12
6189	Rear Wheel Spoke Bolt Nut $\frac{1}{2}$ "-14 x $\frac{1}{2}$ "	416	12
15187	Rear Wheel Hub Cap	417	2

## RIMS

Used on all models except where noted

18068	Wheel Rim and Lock Ring Assembly	5	5
18064	Wheel Rim 34" x 4 $\frac{1}{2}$ " Straight Side Q. D.	420	5
18090	Wheel Rim Locking Ring	421	5
20028	Wheel Rim Clamping Ring	422	5
20026	Wheel Rim Felloe Bolt	423	12
20027	Wheel Rim Felloe Bolt Nut	424	12
20042	Wheel Rim Chassis Assembly	428	32

## HOUK WIRE WHEELS

The Hudson Motor Car Co. does not carry in stock Houk wire wheels or spare parts for same, and if any repairs or replacements are necessary, take the matter up direct with the Wire Wheel Corporation of America, 1709 Elmwood Ave., Buffalo, N. Y., or one of their agents.

## LIST OF SERVICE STATIONS OF THE WIRE WHEEL CORPORATION OF AMERICA

<b>NEW YORK, N. Y.</b> The Wire Wheel Corp. of America, 835 11th Ave.	<b>RICHMOND, VA.</b> M. D. Stone Co., Inc., 1807 West Broad St.	<b>CINCINNATI, OHIO</b> Smith-Eggers Co.
<b>BOSTON, MASS.</b> The Standard Roller Bearing Co., 54 Brookline Ave.	<b>CHICAGO, ILL.</b> Wire Wheel Corp. of America, 2257 Indiana Ave.	<b>SAN FRANCISCO, CALIF.</b> Wire Wheel Corp. of America, 1630 Pine St.
<b>WORCESTER, MASS.</b> Geo. H. Jewett Co., 172 Shrewsbury St.	<b>INDIANAPOLIS, IND.</b> The Gibson Co.	<b>OAKLAND, CALIF.</b> N. H. Wood, 2694 Telegraph Ave.
<b>BURLINGTON, VT.</b> Brodie & Niles, 125 St. Paul St.	<b>FORT WAYNE, IND.</b> Ideal Auto Mfg. & Sales Co.	<b>SAN JOSE, CALIF.</b> Queen Motor Sales Co.
<b>NEW HAVEN, CONN.</b> The Holcomb Co., 155 Groffe St.	<b>MILWAUKEE, WISC.</b> W. R. Sberin Co.	<b>SACRAMENTO, CALIF.</b> James S. Benick Co., Inc.
<b>HARTFORD, CONN.</b> Universal Automobile Co.	<b>ST. LOUIS, MO.</b> Vehicle Top & Supply Co., 2414 Lindell Ave.	<b>PORTLAND, OREGON</b> Wire Wheel Sales & Service Co.
<b>NEWARK, N. J.</b> Dunham Body Co., Ave. B and Miller St.	<b>CEDAR RAPIDS, IOWA</b> J. A. Wicke Co.	<b>SEATTLE, WASH.</b> Wire Wheel Service Co., Inc., 309 E. Pine St.
<b>UTICA, N. Y.</b> E. D. & A. F. Croak, Inc., 130 Hotel St.	<b>MINNEAPOLIS, MINN.</b> E. M. Clement.	<b>SALT LAKE CITY, UTAH</b> Karl Winter.
<b>SYRACUSE, N. Y.</b> Lee Auto Supply Co., Inc., 241 West Water St.	<b>DES MOINES, IOWA</b> Alvin C. Hammitt.	<b>HELENA, MONT.</b> Hoffman & Nash.
<b>ROCHESTER, N. Y.</b> J. Lawrence Hill Co., Inc., 21 Plymouth Ave.	<b>SIOUX CITY, IOWA</b> Mr. J. Follett, 609 Pearl St.	<b>LOS ANGELES, CALIF.</b> Wire Wheel Corp. of America, 1216 S. Grande Ave.
<b>BUFFALO, N. Y.</b> Motor Parts Co., 1064 Main St.	<b>OMAHA, NEBR.</b> The Blackstone Garage Co.	<b>SAN DIEGO, CALIF.</b> San Diego Battery & Ignition Co.
<b>CHATTANOOGA, TENN.</b> Hill Jones Auto Co.	<b>KANSAS CITY, MO.</b> Hess Carriage Co., 213 E. 17th St.	<b>FRESNO, CALIF.</b> Harbert Motor Sales Co.
<b>PHILADELPHIA, PA.</b> Wire Wheel Corp. of America, 328 North Broad St.	<b>DENVER, COLO.</b> Maun-Aldrich Carriage Co.	<b>SANTA BARBARA, CALIF.</b> Shepherd & Howlett.
<b>PITTSBURGH, PA.</b> Miller & Woodward, 3751 Higslow Blvd.	<b>DALLAS, TEX.</b> Dallas Tire & Supply Co.	<b>HANFORD, CALIF.</b> Volney B. Cooper.
<b>BALTIMORE, MD.</b> Barrett & Durban, 3 West Preston St.	<b>DETROIT, MICH.</b> Wire Wheel Corp. of America, 14 Davenport St.	<b>FORTYSEVEN, CALIF.</b> Sterns Auto Co.
<b>WASHINGTON, D. C.</b> Warrington Motor Car Co., 1869 14th St.	<b>TOLEDO, OHIO</b> The Shop of Siebert.	<b>ALBUQUERQUE, NEW MEX.</b> The B. Elkins Co.
	<b>CLEVELAND, OHIO</b> City Auto Tire & Supply Co.	<b>TUCSON, ARIZ.</b> Southern Arizona Motor Co.
	<b>DAYTON, OHIO</b> Dayton Wire Wheel Co.	<b>DOMINION OF CANADA</b> <b>TORONTO, ONT.</b> Dunlop Tire & Rubber Goods Co., Ltd.

## STEERING GEAR—TYPE "L"

Used on all models except where noted

Part No.	NAME OF PART	Quantity	No. in Car
19305	Steering Gear Complete (Used on 7P., 4C., T.S., Lim., R.L. and T. L. only)	1	1
19306	Steering Gear Complete (Used on 4P. only)	1	1
19309	Steering Gear Assembly (Less Wood Rim and Tire)	1	1
21320	Steering Gear Case and Gear Assembly (Includes Complete Lower End of Steering Gear)	1	1
10122	Steering Gear Main Tube—Lower	410	1
8394	Steering Gear Main Tube Key	411	1
10123	Steering Gear Worm	1	1
81233	Steering Gear Thrust Bearing Ball Race—Inner	412	2
81234	Steering Gear Thrust Bearing Ball Race—Outer	412	2
91482	Steering Gear Thrust Bearing Ball Race with Balls	412	1
21447	Steering Gear Thrust Bearing Adjusting Nut	415	1
20669	Steering Gear Thrust Bearing Adjusting Nut Lock	416	1
12192	Steering Gear Thrust Bearing Adjusting Nut Lock Cap Screw $\frac{1}{4}$ "-20 x $\frac{3}{4}$ "	415	1
21318	Steering Gear Case Assembly	460	1
3254	Steering Gear Case $\frac{5}{8}$ " Flange Flange	460	1
12116	Steering Gear Case No. 8 Short Stem Grease Cup	461	1
12502	Steering Gear Case Frame Bracket	462	1
12100	Steering Gear Case Frame Bracket Cap Screw $\frac{1}{2}$ "-12 x $\frac{3}{4}$ "	462	1
12101	Steering Gear Case Frame Bracket Cap Screw Nut $\frac{1}{2}$ "-12 x $\frac{3}{4}$ "	464	1
7092	Steering Gear Case Frame Bracket Bolt $\frac{1}{2}$ "-24 x $\frac{1}{4}$ "	463	4
12124	Steering Gear Case Frame Bracket Bolt Nut $\frac{1}{2}$ "-24 x $\frac{1}{4}$ "	463	4
15772	Steering Gear Case Bushing—Upper	467	1
15773	Steering Gear Case Bushing—Lower	468	1
10110	Steering Gear Case Cover	469	1
219	Steering Gear Case Cover Hex. Head Cap Screw $\frac{1}{2}$ "-18 x $\frac{3}{4}$ "	490	2
18062	Steering Gear Case Cover Hex. Head Cap Screw $\frac{1}{2}$ "-18 x $\frac{3}{4}$ "	491	2
20409	Steering Gear Case Cover Bolt	492	1
20009	Steering Gear Case Cover Bolt Lock Wire	492	1
10111	Steering Gear Case Cover Gasket	493	1
18208	Steering Gear Worm Wheel and Shaft	495	1
19309	Steering Gear Worm Wheel Shaft	496	1
20003	Steering Gear Worm Wheel Shaft Nut Lock	497	1
12103	Steering Gear Worm Wheel $\frac{1}{2}$ " Street Hill	498	1
12118	Steering Gear Worm Wheel No. 6 Long Stem Grease Cup	499	1
15219	Steering Gear Worm Wheel Bushing	500	1
15203	Steering Gear Worm Wheel Bushing Dowel Pin	500	1
15202	Steering Gear Worm Wheel Bushing Dowel Pin Retaining Wire	501	1
10120	Steering Gear Worm Wheel Thrust Washer—Large	502	1
10112	Steering Gear Worm Wheel Thrust Washer—Small	503	1
10112	Steering Gear Worm Wheel Thrust Washer Adjusting Screw	505	1
9130	Steering Gear Worm Wheel Thrust Washer Adjusting Screw Check Nut	506	1
19307	Steering Gear Lever	507	1
15287	Steering Gear Main Tube Upper Nut	509	1
10126	Steering Gear Main Tube Coupling	510	1
10127	Steering Gear Main Tube Coupling Key	511	1
8214	Steering Gear Main Tube Coupling Bolt $\frac{1}{2}$ "-24 x $\frac{1}{4}$ "	512	4
611	Steering Gear Main Tube Coupling Bolt Nut $\frac{1}{2}$ "-24 x $\frac{1}{4}$ "	513	4
15208	Steering Gear Jacket Tube	514	1
10144	Steering Gear Jacket Tube Bushing	515	7
15669	Steering Gear Jacket Tube Bracket	516	1
15670	Steering Gear Jacket Tube Bracket Pivot Bolt	517	1
12401	Steering Gear Jacket Tube Bracket Pivot Bolt Nut $\frac{1}{2}$ "-20 x $\frac{3}{4}$ "	517	1
19482	Steering Gear Cowl Bracket—Short (Used on 7P., 4C., T.S., Lim., R.L. and T.L. only)	519	1
10660	Steering Gear Cowl Bracket—Long (Used on 4P. only)	519	1
1085	Steering Gear Cowl Bracket Cap Screw $\frac{1}{2}$ "-14 x $\frac{1}{4}$ "	520	2
15577	Steering Gear Sector Bracket Tube Assembly	521	1
14140	Steering Gear Sector Bracket Tube Assembly	521	1
15289	Steering Gear Sector Bracket Tube	521	1
13260	Steering Gear Sector Bracket Tube Bushing	522	2
10130	Steering Gear Sector Tube Bushing	523	1
10132	Steering Gear Sector Control Sector	524	1
8001	Steering Gear Control Sector Fl. Head Machine Screw No. 10-32 x $\frac{3}{4}$ "	524	1
10140	Steering Gear Spark Control Piston	526	1
9194	Steering Gear Spark Control Piston Machine Screw No. 14-20 x $\frac{1}{2}$ "	527	1
7829	Steering Gear Spark Control Piston Machine Screw Nut No. 14-20 x $\frac{1}{2}$ "	527	1
10141	Steering Gear Spark Control Sector	529	1
15590	Steering Gear Spark Control Tube	530	1
10135	Steering Gear Spark Control Hand Lever	531	1
4901	Steering Gear Spark Control Hand Lever Machine Screw No. 10-32 x $\frac{1}{2}$ "	531	1
10132	Steering Gear Throttle Control Piston	532	1
9194	Steering Gear Throttle Control Piston Machine Screw No. 14-20 x $\frac{1}{2}$ "	532	1
7829	Steering Gear Throttle Control Piston Machine Screw Nut No. 14-20 x $\frac{1}{2}$ "	532	1
10138	Steering Gear Throttle Control Sector	534	1
9414	Steering Gear Throttle Control Sector Control Sector	534	1
15091	Steering Gear Throttle Control Tube	535	1
12864	Steering Gear Throttle Control Tube Bushing	539	2
15574	Steering Gear Sector Tube Bracket	540	1

## STEERING GEAR—TYPE "L"—Continued

Part No.	NAME OF PARTS	Quantity	Per Car
505	Steering Gear Sector Tube Bracket Fil. Head Screw No. 14-20 X 1/2" .....	1	1
50182	Steering Gear Sector Tube Bracket Cap Screw 5/8"-20 X 1" .....	541	1
10124	Steering Gear Thrustle Control Head Lever .....	542	1
1001	Steering Gear Thrustle Control Head Lever Fil. Head Machine Screw No. 10-22 X 3/4" .....	1	1
11228	Steering Gear Control Friction Block .....	545	1
5018	Steering Gear Control Friction Block Spindle .....	546	1
50006	Steering Gear Horn Button Assembly .....	547	1
12584	Steering Gear Horn Button .....	548	1
10185	Steering Gear Horn Button .....	549	1
10186	Steering Gear Horn Button Contact .....	550	1
10187	Steering Gear Horn Button Spring .....	551	1
10189	Steering Gear Horn Button Screw Insulator .....	552	1
10120	Steering Gear Horn Button Screw Insulator .....	553	1
15384	Steering Gear Horn Button Screw Insulator .....	554	1
10151	Steering Gear Horn Button Screw Insulator .....	555	1
10122	Steering Gear Horn Button Wire Terminal .....	556	1
10152	Steering Gear Horn Button Wire Terminal Insulator .....	557	1

## DRAG LINK

Used on all models except where noted

10008	Drag Link Assembly .....	575	1
21503	Drag Link Only .....	576	1
10003	Drag Link Spring .....	577	1
10078	Drag Link Sliding Bearing .....	578	1
10288	Drag Link Stationary Bearing .....	579	1
13797	Drag Link Adjustable Bearing .....	580	1
10153	Drag Link Adjusting Nut .....	1	1
12416	Drag Link Grease Cup .....	1	1
9844	Drag Link Boot—Front .....	1	1
9845	Drag Link Boot—Rear .....	1	1

## CONTROL LEVERS

Used on all models except where noted

20500	Control Lever Assembly .....	581	1
20574	Transmission Case Cover .....	582	1
304	Transmission Case Cover Hex. Head Cap Screw 5/8"-16 X 1" .....	583	1
304	Transmission Case Cover Hex. Head Bolt 5/8"-16 X 1 1/2" .....	584	1
7115	Transmission Case Cover Hex. Head Bolt 5/8"-16 X 1 1/2" .....	585	1
7114	Transmission Case Cover Taper Pin No. 4 X 1 1/2" .....	586	1
9050	Transmission Case Oil Hole Plug .....	587	1
9057	Transmission Case Oil Hole Plug Gasket .....	588	1
20501	Control Hand Lever Assembly .....	589	1
20572	Control Hand Lever Shaft .....	590	1
20508	Control Hand Lever Shaft Bushing .....	591	1
20576	Control Hand Lever .....	592	1
20505	Control Hand Lever Ball .....	593	1
18074	Control Hand Lever Taper Pin No. 4 X 1 1/2" .....	594	1
11084	Control Hand Lever Shaft Key .....	595	1
11082	Control Hand Lever Shaft Cap .....	596	1
11083	Control Hand Lever Shaft Sliding Spring .....	597	1
20571	Control Shifting Finger .....	598	1
7115	Control Shifting Finger Hex. Head Bolt Nut 5/8"-16 X 1 1/2" .....	599	1
20570	Control Lever Bracket (Old Style) .....	600	1
21095	Control Lever Bracket (New Style) .....	601	1
304	Control Lever Bracket Hex. Head Cap Screw 5/8"-16 X 1" .....	602	1
7115	Control Lever Bracket Hex. Head Cap Screw 5/8"-16 X 1 1/2" .....	603	1
12416	Control Lever Bracket No. 6 Short Stem Grease Cup .....	604	1
18000	Control Lever Bracket 5/8" X 1 1/2" Clevis Pin (Used on 21095 only) .....	605	1
20575	Control Housing .....	606	1
7254	Control Housing Hex. Head Bolt 5/8"-16 X 1 1/2" .....	607	1
302	Starter Pedal .....	608	1
302	Starter Pedal No. 2 X 1 1/2" Taper Pin .....	609	1
6443	Starter Pedal Shaft .....	610	1
115	Starter Pedal Shaft No. 3 Woodruff Key .....	611	1
5296	Starter Shaft Collar (Old Style Used) .....	612	1
9576	Starter Shaft Collar Pin .....	613	1
6444	Starter Shaft Locking Plate .....	614	1
13285	Starter Shaft Locking Plate Fil. Head Cap Screw 5/8"-16 X 1 1/2" .....	615	1
21097	Starter Pedal Shaft (New Style) .....	616	1
115	Starter Pedal Shaft No. 3 Woodruff Key (New Style) .....	617	1
13105	Starter Operating Shaft .....	618	1
13276	Starter Operating Shaft .....	619	1
13418	Starter Operating Shaft No. 6 Long Stem Grease Cup .....	620	1
13292	Starter Shaft Lever .....	621	1
719	Starter Shaft Lever Clevis Pin 5/8" X 1 1/2" .....	622	1

## CONTROL LEVERS—Continued

Part No.	NAME OF PARTS	Illustration Part No.	No. Req.
13294	Starter Lever Spring	616	1
13295	Starter Lever Spring Clip	617	1
13296	Starter Operating Shaft Rod	618	1
13296	Starter Operating Shaft Rod Throat Washer	619	1
13297	Starter Operating Shaft Collar	620	1
13298	Starter Operating Shaft Collar	621	1
13299	Starter Operating Shaft Collar Screw	622	1
20560	Brake Hand Lever Assembly	623	1
20561	Brake Control Lever Tube Assembly	624	1
20565	Brake Hand Lever Control Bushing	625	1
5994	Brake Hand Lever Latch Guide	626	1
5452	Brake Hand Lever Latch Guide Rivet $\frac{3}{8}$ x $1\frac{1}{2}$ "	627	2
20571	Brake Hand Lever Latch Hex. Nut $\frac{3}{8}$ x $1\frac{1}{2}$ "	628	1
7484	Brake Hand Lever Latch Spring	629	1
14220	Brake Hand Lever Latch End	630	1
20569	Brake Hand Lever Latch Grip	631	1
20567	Brake Hand Lever Latch Grip Spring	632	1
12123	Brake Hand Lever Latch Grip Machine Screw No. 10-22 x $1\frac{1}{2}$ "	633	2
7485	Brake Hand Lever Latch Grip Machine Nut No. 10-22 x $\frac{1}{2}$ "	634	2
19653	Brake Hand Lever Ratchet Plate	635	1
729	Brake Hand Lever Tube Key	636	1
21935	Brake Hand Lever Tube Rocker Arm	637	1
275	Brake Hand Lever Tube Rocker Arm Hex. Cap Screw $\frac{3}{8}$ -16 x $1\frac{1}{2}$ "	638	1
110	Brake Hand Lever Tube Rocker Arm Hex. Cap Screw $\frac{3}{8}$ -14 x $\frac{1}{2}$ "	639	1
20564	Brake Hand Lever Tube Plug	640	1

## PEDAL CONTROL

Used on all models except where noted

5680	Pedal Control Assembly—(Includes Parts 6394 to 16097, 248 to 6292 inclusive)	640	1
6394	Pedal Support Bracket	641	1
12116	Pedal Support Bracket Hex. Cap Screw $\frac{3}{8}$ -16 x $1\frac{1}{2}$ "	642	1
384	Pedal Support Bracket Cap Screw $\frac{3}{8}$ -14 x $1\frac{1}{2}$ "	643	1
6395	Clutch Pedal Lever and Shaft	644	1
115	Clutch Pedal Lever and Shaft $\frac{3}{8}$ Woodruff Key	645	1
6392	Clutch Pedal	646	1
389	Clutch Pedal Taper Pin	647	1
7274	Clutch Pedal Pad	648	1
6396	Brake Pedal	649	1
4887	Brake Pedal N-1 Bowen Oil Cup	650	1
5688	Brake Pedal Cap Screw $\frac{3}{8}$ -24 x $1\frac{1}{2}$ "	651	1
5649	Brake Pedal Cap Screw Nut $\frac{3}{8}$ -24 x $\frac{1}{2}$ "	652	1
5612	Brake Pedal Pad	653	1
5448	Clutch and Brake Pedal Pad Screw	654	1
6398	Clutch Throwout Yoke Clevis	655	1
3513	Clutch Throwout Yoke Clevis Pin $\frac{3}{8}$ x $1\frac{1}{2}$ "	656	1
6446	Clutch Throwout Yoke Rod End	657	1
6397	Clutch Throwout Yoke Spring	658	1
9921	Clutch and Brake Pedal Extension (Use when ordered)	659	1
5646	Clutch and Brake Pedal Pad Screw (Use when ordered)	660	1

## EXTERNAL BRAKE CONTROL

Used on all models except where noted

12664	Pull Rod Complete—Brake Pedal to Equalizer (Includes 12472 to 2212 inclusive)	661	1
12472	Pull Rod—Brake Pedal to Equalizer	662	1
62	Brake Pedal to Equalizer Pull Rod Hex. Nut $\frac{3}{8}$ -24 x $1\frac{1}{2}$ " U.S.F.	663	1
8232	Brake Pedal to Equalizer Pull Rod Clevis Pin $\frac{3}{8}$ x $1\frac{1}{2}$ "	664	1
2860	Foot Brake Release Spring Collar	665	1
7911	Foot Brake Release Spring Collar Taper Pin No. 0 x $\frac{1}{2}$ "	666	1
5969	Foot Brake Release Spring	667	1
3149	Brake and Control Yoke Bush	668	1
6725	Brake Pull Rod Clevis	669	1
3487	Brake Pull Rod Rear Clevis Nut—L. H. Thread	670	1
3912	Brake Pull Rod Rear Clevis Pin $\frac{3}{8}$ x $1\frac{1}{2}$ "	671	1
5124	Brake Equalizer Draw Bar	672	1
5298	Brake Equalizer Double Clevis Assembly	673	1
8232	Brake Equalizer Shaft Frame Bracket	674	1
6481	Brake Equalizer Shaft Frame Bracket Hex. Head Screw $\frac{3}{8}$ -24 x $\frac{1}{2}$ "	675	1
1357	Foot Brake Cross Shaft—Short	676	1
6478	Foot Brake Cross Shaft—Long	677	1
115	Foot Brake Cross Shaft No. 3 Woodruff Key	678	1
7739	Brake Equalizer Shaft Rocker Arm—Short	679	1
1615	Brake Equalizer Shaft Rocker Arm Taper Pin No. 2 x $1\frac{1}{2}$ "	680	1
7642	Foot Brake Cross Shaft Rocker Arm—Long	681	1
1915	Foot Brake Cross Shaft Rocker Arm Taper Pin No. 2 x $1\frac{1}{2}$ "	682	1

## EXTERNAL BRAKE CONTROL—Continued

Part No.	NAME OF PARTS	Illustration No.	No. Req.
8372	Brake Cross Shaft Shim .....	196	1
18708	Foot Brake Pull Rod Assembly—Equalizer to Rear Axle (Includes Parts 18705, 12798 and 5232) .....	797	2
18705	Foot Brake Pull Rod—Equalizer Shaft to Rear Axle .....	798	2
62	Foot Brake Equalizer Shaft to Rear Axle Pull Rod Hex. Nut U.S.S. .....	789	4
382	Foot Brake Equalizer Shaft to Rear Axle Pull Rod Clevis Pin $\frac{1}{2}$ " x 1 $\frac{1}{2}$ " .....	789	4
5282	Foot Brake Equalizer Shaft to Rear Axle Pull Rod Adjusting Yoke End $\frac{1}{2}$ " S.A.E. ....	710	2

## INTERNAL BRAKE CONTROL

Used on all models except where noted

19070	Hand Brake Pull Rod Complete—Hand Brake to Cross Shaft (Includes Parts 1654 and 12795) .....	721	1
7654	Hand Brake Pull Rod—Hand Brake to Cross Shaft .....	721	1
62	Hand Brake to Cross Shaft Pull Rod Hex. Nut $\frac{1}{2}$ "-24 x $\frac{1}{2}$ " U.S.S. ....	722	1
3818	Hand Brake to Cross Shaft Pull Rod Clevis Pin $\frac{1}{2}$ " x 1 $\frac{1}{2}$ " .....	723	1
3440	Brake and Control Turnbuckle .....	716	1
5725	Brake Pull Rod Clevis .....	716	1
3437	Brake Pull Rod Clevis Nut—H. Thread .....	717	1
3812	Brake Pull Rod Clevis Pin $\frac{1}{2}$ " x 1 $\frac{1}{2}$ " .....	717	1
6478	Hand Brake Cross Shaft .....	718	1
7728	Hand Brake Cross Shaft Hocker Arm .....	719	3
115	Hand Brake Cross Shaft Hocker Arm, No. 3 Woodruff Key .....	719	3
1615	Hand Brake Cross Shaft Hocker Arm Taper Pin No. 2 x 1 $\frac{1}{4}$ " .....	719	3
1615	Brake Cross Shaft Hocker Arm Taper Pin No. 2 x 1 $\frac{1}{4}$ " .....	719	3
16128	Hand Brake Cross Shaft Bracket .....	721	1
1157	Hand Brake Cross Shaft Bracket Hex. Head Bolt $\frac{1}{2}$ "-18 x $\frac{1}{2}$ " U.S.S. ....	722	2
18013	Hand Brake Pull Rod Assembly—Cross Shaft to Rear Axle (Includes Parts 19172, 12798 and 5232) .....	723	2
19172	Hand Brake Pull Rod Cross Shaft to Rear Axle .....	724	2
3812	Hand Brake Pull Rod Cross Shaft to Rear Axle Clevis Pin $\frac{1}{2}$ " x 1 $\frac{1}{2}$ " .....	724	4
62	Hand Brake Pull Rod Cross Shaft to Rear Axle Hex. Nut $\frac{1}{2}$ "-24 x $\frac{1}{2}$ " .....	725	2
5282	Hand Brake Pull Rod Cross Shaft to Rear Axle Clevis Adjusting Yoke End $\frac{1}{2}$ " S.A.E. ....	726	2
8072	Brake Cross Shaft Shim .....	727	1

## SPARK, THROTTLE AND OIL CONTROL

Used on all models except where noted

18539	Spark Control Tube .....	720	1
18581	Spark Control Tube Lever—Short .....	721	1
18532	Spark Control Tube Lever—Long .....	722	1
18528	Spark Control Bell Crank .....	724	1
18446	Spark Control Tube Lever Clamp Bolt .....	725	1
794	Spark Control Tube Lever Lock Nut $\frac{1}{2}$ "-28 U.S.S. ....	726	1
18433	Spark Control Rod Complete—Steering Gear to Bell Crank (Includes Parts 18421, 5771 to 12795 Inclusive) .....	727	1
18421	Spark Control Rod—Steering Gear to Bell Crank .....	727	1
5771	Spark Control Rod Adjusting Yoke End .....	728	2
5825	Spark Control Rod Adjusting Yoke Clevis Pin $\frac{1}{2}$ " S.A.E. ....	729	1
12799	Spark Control Rod Hex. Nut No. 18-32 .....	729	1
14921	Spark Control Rod Complete—Bell Crank to Cross Shaft (Includes Parts 15130-5771 to 8441 Inclusive) .....	740	1
15130	Spark Control Rod—Bell Crank to Cross Shaft .....	741	1
5771	Spark Control Rod Adjusting Yoke End $\frac{1}{2}$ " S.A.E. ....	741	1
12799	Spark Control Rod Hex. Nut No. 18-32 .....	741	2
5825	Spark Control Rod Clevis Pin $\frac{1}{2}$ " S.A.E. ....	742	1
14972	Spark Control Rod Complete—Cross Shaft to Distributor (Includes Parts 15132 to 12795 Inclusive) .....	744	1
15132	Spark Control Rod—Cross Shaft to Distributor .....	744	1
5771	Spark Control Rod Adjusting Yoke End Clevis Pin $\frac{1}{2}$ " S.A.E. ....	745	1
5825	Spark Control Rod Clevis Pin $\frac{1}{2}$ " S.A.E. ....	747	1
12799	Spark Control Rod Hex. Nut No. 18-32 .....	748	1
15878	Throttle Control Bell Crank Support .....	749	1
18306	Throttle Control Bell Crank .....	750	2
18325	Throttle Control Bell Crank Screw .....	751	3
5282	Throttle Control Rod Collar .....	752	1
5027	Throttle Control Rod Collar .....	752	1
15175	Throttle Control Rod Complete—Steering Gear to Bell Crank (Includes Parts 15159 to 12795 Inclusive) .....	754	1
15159	Throttle Control Rod Assembly—Steering Gear to Bell Crank (Includes 15157 Collar) .....	754	1
3771	Throttle Control Rod Adjusting Yoke End $\frac{1}{2}$ " S.A.E. ....	755	1
12799	Throttle Control Rod Hex. Nut No. 18-32 .....	755	1
14974	Throttle Control Rod Complete—Ball Crank to Carburetor (Includes Parts 12541 to 12795 Inclusive) .....	756	1
12541	Throttle Control Rod—Ball Crank to Carburetor .....	756	1
792	Throttle Control Rod—Ball Crank to Carburetor U.S.S. Ball Joint .....	757	2
794	Throttle Control Rod—Ball Joint Hex. Nut $\frac{1}{2}$ "-28 U.S.S. ....	757	2
12799	Throttle Control Rod—Ball Joint Hex. Nut No. 18-32 U.S.S. ....	758	1
12542	Throttle Control Spring .....	759	1
15027	Spark and Throttle Control Shaft Bracket .....	760	1
219	Spark and Throttle Control Bracket Cap Screw $\frac{1}{2}$ "-18 x $\frac{1}{2}$ " .....	761	1
12544	Oil Control Rocker Shaft .....	761	1



## SPARK, THROTTLE AND OIL CONTROL—Continued

Part No.	NAME OF PARTS	Illustration No.	No. Req.
13545	Oil Control Rocker Shaft Coupling	762	1
7911	Oil Control Rocker Shaft Taper Pin No. 60 x 3/8"	762	2
15009	Oil Control Rocker Shaft Lever	764	1
13547	Oil Control Rocker Shaft Lever Lock	765	1
794	Oil Control Rocker Shaft Lever Lock Nut 3/8" x 3/4" U.S.P.	765	1
14275	Oil Control Rod Complete (Includes Parts 13016, 5721 to 12795 inclusive)	766	1
15019	Oil Control Rod	766	1
5771	Oil Control Rod Adjusting Yoke End 3/4" S.A.E.	767	2
5825	Oil Control Rod Clevis Pin 3/8" S.A.E.	767	2
12799	Oil Control Rod Hex. Nut 3/4" x 3/4" U.S.P.	767	1
13075	Accelerator Pedal	768	1
14276	Accelerator Pedal Pull Rod Complete (Includes Parts 13576, 5682 to 12579 Inc.)	769	1
13576	Accelerator Pedal Pull Rod	769	1
5682	Accelerator Pedal Pull Rod Hex. Pin 3/8"	769	1
794	Accelerator Pedal Pull Rod Hex. Nut 3/4" x 3/4" U.S.P.	772	1
13578	Accelerator Pedal Pull Rod Yoke Rod	772	2
13579	Accelerator Pedal Pull Rod Clevis Pin	772	1

## MOTOR

Used on all models except where noted

Part No.	Motor Assembly	Illustration No.	No. Req.
16200	Motor Assembly		1
16229	Crank Case Assembly (Crank Case not sold separately) (Includes 12925 to 13158 inclusive)	780	1
20841	Crank Case Front Cover	781	1
13097	Crank Case Front Cover—Felt Washer	782	1
13125	Crank Case Front Cover Gasket	782	1
7969	Crank Case Front Cover Cap Screw 5/8" x 3/4" U.S.P.	784	1
13025	Crank Shaft Front Bearing—Upper	785	1
13026	Crank Shaft Front Bearing—Lower	786	1
13027	Crank Shaft Front Middle Bearing—Upper	787	1
13028	Crank Shaft Front Middle Bearing—Lower	788	1
13029	Crank Shaft Rear Middle Bearing—Upper	789	1
13030	Crank Shaft Rear Middle Bearing—Lower	790	1
13031	Crank Shaft Rear Bearing—Upper	791	1
13032	Crank Shaft Rear Bearing—Lower	792	1
13033	Crank Shaft Bearing Flat Head Machine Screw	793	1
13021	Crank Shaft Front Bearing Cap	794	1
13022	Crank Shaft Front Middle Bearing Cap	795	1
13023	Crank Shaft Rear Middle Bearing Cap	796	1
13117	Crank Shaft Rear Middle Bearing Cap Reinforcement	797	1
13024	Crank Shaft Front Bearing Stud—Long	798	1
15090	Crank Shaft Front Bearing Stud—Long Castle Nut 3/4" x 3/4" U.S.P.	800	1
13091	Crank Shaft Front Bearing Stud—Short	801	1
13092	Crank Shaft Front Bearing Stud—Short Castle Nut 3/4" x 3/4" U.S.P.	802	1
15092	Crank Shaft Middle Bearing Stud Castle Nut 3/4" x 3/4" U.S.P.	803	1
15093	Crank Shaft Rear Bearing Bolt—Long	803	2
15094	Crank Shaft Rear Bearing Bolt—Short	804	2
13094	Crank Shaft Rear Bearing Castle Nut 3/4" x 3/4" U.S.P.	805	1
13144	Crank Shaft Front Bearing Shim—Thin	805	6
13145	Crank Shaft Front Bearing Shim—Medium Thin	805	7
13146	Crank Shaft Front Bearing Shim—Medium	805	8
13147	Crank Shaft Front Bearing Shim—Medium Thick	805	9
13148	Crank Shaft Front Bearing Shim—Thick	805	10
13149	Crank Shaft Middle Bearing Shim—Thin	806	12
13150	Crank Shaft Middle Bearing Shim—Medium Thin	806	4
13151	Crank Shaft Middle Bearing Shim—Medium	806	21
13152	Crank Shaft Middle Bearing Shim—Medium Thick	806	4
13153	Crank Shaft Middle Bearing Shim—Thick	806	8
13154	Crank Shaft Rear Bearing Shim—Thin	807	6
13155	Crank Shaft Rear Bearing Shim—Medium Thin	807	2
13156	Crank Shaft Rear Bearing Shim—Medium	807	12
13157	Crank Shaft Rear Bearing Shim—Medium Thick	807	2
13158	Crank Shaft Rear Bearing Shim—Thick	807	2
13033	Cam Shaft Front Bearing	809	1
13034	Cam Shaft Front Middle Bearing	809	1
13035	Cam Shaft Rear Middle Bearing	810	1
13036	Cam Shaft Rear Bearing	810	1
13106	Crank Case to Cylinder Stud—Long	812	6
13109	Crank Case to Cylinder Stud—Short	813	7
108	Crank Case to Cylinder Stud—Hex. Nut	814	13
13120	Flywheel Pinion	815	1
13147	Flywheel Forward Machine Screw 12" x 3/4" U.S.P.	815	1
13078	Oil Filler Cover	821	1
13079	Oil Filler Cover Spring	822	1
13080	Oil Filler Cover Screw	823	1

## MOTOR—Continued

Part No.	NAME OF PARTS	Illustr. No.	No. Req.
14608	Oil Reservoir Filter Tube Assembly		1
15272	Oil Line Assembly—Crank Case to Pump (Includes 11828)	824	1
11828	Oil Line Crank Case to Pump $\frac{1}{8}$ " S.A.E. Union Nut	825	2
13077	Oil Line Crank Case to Pump Union	826	1
5625	Oil Tube Clamp	827	1
15271	Oil Pressure Tube Assembly—Pump to Union (Includes 11842)	828	1
11842	Oil Pressure Tube Pump to Union Flared Tube Union Nut	829	2
19112	Oil Pressure Tube Pump to Union Double Flared Tube Union	830	1
18710	Oil Line—Oil Reservoir Filter to Crank Case	831	1
4900	Motor Front Anchor Bolt $\frac{1}{2}$ "-20 x $\frac{1}{2}$ " U.S.P.—Hex. Head	832	2
4901	Motor Front Anchor Bolt Nut $\frac{1}{2}$ "-20 x $\frac{1}{2}$ "	833	2
4907	Motor Front Anchor Bolt Spring	834	2
4908	Motor Front Anchor Bolt Spring Seat	835	4
18177	Motor Front Support Pad	836	2
520	Motor Rear Anchor Bolt $\frac{1}{2}$ "-20 x $\frac{1}{2}$ " S.A.E.—Hex. Head	837	4
72	Motor Rear Anchor Bolt Nut $\frac{1}{2}$ "-20 x $\frac{1}{2}$ " U.S.P.	838	4
18178	Motor Rear Support Pad	839	2
4940	Generator Hex. Head Cap Screw $\frac{1}{2}$ "-23 x 2 $\frac{1}{2}$ "	840	2
13115	Generator Adjusting Plug	841	2
13116	Generator Adjusting Plug Lock	842	2
14056	Generator Coupling Assembly (Includes Parts 13114 to 13016 Inclusive) used on models 10-O and 11-O		1
13114	Generator Drive Coupling (Used on Models 10-O and 11-O)	843	1
14500	Generator Drive Pin (Used on Models 10-O and 11-O)		2
3416	Generator Drive Coupling Taper Pin No. 2 x $\frac{1}{16}$ " (Used on Models 10-O and 11-O)	844	1
14597	Generator Drive Shaft Sliding Washer (Used on Models 10-O and 11-O)	845	1
13016	Generator Drive Shaft (Used on Models 10-O and 11-O)	846	1
21430	Generator Drive Coupling (Used on Model 12-O and up)	845A	1
21438	Generator Flexible Drive Coupling (Used on Model 12-O and up)	845B	1
20097	Generator Drive Coupling Clamp (Used on Model 12-O and up)	845C	4
18080	Generator Hex. Head Bolt Nut $\frac{1}{2}$ "-28 x $\frac{1}{2}$ " (Used on Model 12-O and up)	845D	2
18088	Generator Coupling Hex. Head Bolt Nut $\frac{1}{2}$ "-28 x $\frac{1}{2}$ " (Used on Model 12-O and up)	845E	2
13100	Starter Gear Cover	846	3
13101	Starter Gear Cover Spring	847	1
13102	Starter Gear Cover Spring Stud	848	3
122	Starter Gear Cover Spring Stud Nut $\frac{1}{2}$ "-18 x $\frac{1}{2}$ "	849	3
13103	Starter Operating Shaft Bushing—Front	850	3
13104	Starter Operating Shaft Bushing—Rear Patent Number Stamp	851	2
908	Starter Operating Shaft Bushing Cap Screw	852	2
10609	Generator Coupling Woodruff Key	853	1

## CRANK CASE LOWER ASSEMBLY

13018	Oil Reservoir Complete With Filter Screen Assembly	854	2
13017	Oil Reservoir Assembly	855	1
15052	Oil Reservoir Castion Plate	856	1
13126	Oil Reservoir Gasket	855	1
8020	Oil Reservoir Cap Screw $\frac{1}{2}$ "-18 x $\frac{1}{2}$ " U.S.P. Hex. Head	856	20
1191	Oil Reservoir Drain Plug $\frac{1}{2}$ " Pipe Plug	857	1
3412	Oil Reservoir $\frac{1}{2}$ " Screen Cover Cap Screw $\frac{1}{2}$ "-20 x $\frac{1}{2}$ "	858	1
35708	Oil Reservoir Filter Screen Assembly	859	1
13719	Oil Reservoir Gauge Pilot Arm and Indicator Assembly	860	1
18750	Oil Gauge Indicator Plate (Used on Model 10-O)	861	1
20602	Crank Case Oil Indicator and Motor Patent Number Stamp (Used on Model 11-O and up)	862	1
13095	Oil Gauge Cap	861	1
13097	Oil Gauge Glass	862	1
13098	Oil Gauge Glass Washer	862	2
16600	Oil Gauge Glass Washer—Upper (Used as required)	864	2
13084	Oil Gauge Pilot Guide	865	1

## CRANK SHAFT AND CAM SHAFT GROUP

NOTE:—There are two types of Crank Shafts used on this model. Both types and parts are listed below, those having a \* before part number were used on Model 10-O and those with a † before part number were used on Model 11-O and up.

*13001	Crank Shaft Assembly (Includes Parts 13004 to 13118)	866	1
†21001	Crank Shaft Assembly	867	1
*13004	Crank Shaft (Not sold separately)	868	1
†21000	Crank Shaft (Not sold separately)	869	1
*13008	Crank Shaft Counterweight—1, 3, 6, 8	867	4
†20900	Crank Shaft Counterweight—1, 3, 6, 8	868	4
*13009	Crank Shaft Counterweight—2 and 7	869	2
†20901	Crank Shaft Counterweight—2 and 7	869	2
*13010	Crank Shaft Counterweight—4 and 5	869	2
*18140	Crank Shaft Counterweight Stud—Lock	870	2

## CRANK SHAFT AND CAM SHAFT GROUP—Continued

Part No.	NAME OF PART	Illustration No.	No. Req.
13141	Crank Shaft Counterweight Stud—Medium	871	6
13122	Crank Shaft Counterweight Stud—Short	872	11
13121	Crank Shaft Counterweight Stud Nut	873	2
13118	Crank Shaft Counterweight Long Stud Nut $\frac{1}{2}$ " x $\frac{1}{2}$ "	874	1
13118	Crank Shaft Starting Crank Guide	875	1
8171	Crank Shaft Starting Crank Jaw	876	1
13099	Fan Pulley	877	1
13108	Fan Pulley Spacer	878	1
6769	Fan Pulley Washer	879	1
636	Fan Pulley No. 11 Woodruff Key	880	1
13065	Cam Shaft	881	1
6361	Cam Shaft Thrust Washer	882	1
6825	Cam Shaft Thrust Cap	883	1
2201	Cam Shaft Thrust Disc	884	1
20728	Cam Shaft Thrust Plate	885	1
6822	Cam Shaft Thrust Spring	886	1
8169	Cam Shaft Thrust Plunger Shim	887	1
13811	Cam Shaft Thrust Bearing Shim	888	1

## FLYWHEEL

13165	Flywheel (Four Bolt Type)	887	1
20896	Flywheel (Six Bolt Type)	888	1
13172	Flywheel Bolt	889	6
108	Flywheel Bolt Nut $\frac{1}{2}$ "-13 x $\frac{1}{2}$ " E.R. Hex Head	890	1
1906	Flywheel $\frac{1}{2}$ " Pipe Plug	891	1
13166	Flywheel Guard	892	1
3820	Flywheel Guard Cap Screw $\frac{1}{2}$ "-15 x $\frac{1}{2}$ "	893	6

## TIMING GEARS

19818	Crank Shaft Gear	894	1
13012	Cam Shaft Gear	895	1
14142	Cam Shaft Gear Cloth (Used when necessary)	896	2
13028	Cam Shaft Gear Cap Screw	897A	1
13014	Water Pump Shaft Gear	898	1
10869	Water Pump Shaft Gear No. 3 Woodruff Key	899	1
19590	Water Pump Shaft Gear Thrust Washer	900	1
81799	Cam Shaft Gear "A" Woodruff Key	901	1

## DISTRIBUTOR DRIVE SHAFT GROUP

14037	Distributor Drive Shaft and Bracket Assembly—(Includes 13062, 5812, 15106, 124, 4323, 12167, 13104, 7617, 12169, 19311, 13693)	902	1
13106	Distributor Drive Shaft	903	1
124	Distributor Drive Shaft Nut $\frac{1}{2}$ "-24 x $\frac{1}{2}$ "	904	2
13107	Distributor Drive Shaft Bushing	905	2
14504	Distributor Drive Shaft Bracket Assembly—(Includes 13107, 33109, 3625, 12109, 12531)	906	1
13108	Distributor Drive Shaft Bracket	907	1
3627	Distributor Drive Shaft Bracket Dowel Pin $\frac{1}{4}$ " x $\frac{1}{2}$ "	908	2
13591	Distributor Drive Shaft Bracket Gasket	909	2
13109	Distributor Drive Shaft Thrust Washer	910	1
13111	Distributor Drive Shaft Driven Gear	911	1
4923	Distributor Drive Shaft Driven Gear No. 4 Woodruff Key	912	1
13063	Oil Pump Drive Worm	913	1
5813	Oil Pump Drive Worm Taper Pin	914	1
13817	Distributor Drive Gear	915	1
16327	Distributor Drive Gear Pin	916	1
3018	Distributor Drive Gear No. 5 Woodruff Key	917	1
26607	Oil Pump and Drive Gear Housing Assembly—(Includes 13817, 13552, 13764, 13994, 13048, 13067, 19471, 13072, 332, 13619)	918	1
20423	Oil Pump and Plunger Assembly—(Includes 13061 to 12117 inclusive)	919	1
20441	Oil Pump Body	920	1
13061	Oil Pump and Distributor Body	921	1
13072	Oil Pump and Distributor Gasket	922	1
13068	Oil Pump Plunger	923	1
13069	Oil Pump Plunger Spring	924	1
584	Oil Pump Ball Check $\frac{1}{2}$ " Ball	925	1
20442	Oil Pump Distributor Plunger	926	1
19905	Oil Pump Distributor Plunger Spring	927	1
19960	Oil Pump Distributor Plug	928	1
6791	Oil Pump Distributor Plug Gasket	929	1
126	Oil Pump Body $\frac{1}{2}$ " Pipe Plug	930	1
13070	Oil Pump Inlet Connection	931	1
12117	Oil Pump Inlet Connection Gasket	932	1
20413	Oil Pressure Tube Assembly—Union to Gauge (Includes 13442)	933	1
11443	Oil Pressure Tube Flared Tube Union Nut	934	1
12116	Oil Pressure Tube Union Elbow	935	1

## DISTRIBUTOR DRIVE SHAFT GROUP—Continued

Part No.	NAME OF PARTS	Illustration No.	No. Req.
13062	Oil Pump Drive Gear Housing	921	1
13064	Oil Pump Drive Gear Worm Wheel	922	1
13066	Oil Pump Drive Gear Worm Wheel Bushing	923	2
13065	Oil Pump Adjusting Shaft	924	1
13067	Oil Pump Adjusting Shaft Bearing	925	1
219	Oil Pump Adjusting Shaft Bearing Cap Screw $\frac{1}{2}$ "-18 x $\frac{3}{4}$ "	926	2
13073	Distributor Stud	927	2
12115	Distributor Stud Nut $\frac{1}{2}$ "-18 x 4"	928	2
13075	Oil Pump Body Stud	929	2
122	Oil Pump Body Stud Nut $\frac{1}{2}$ "-18 x $\frac{3}{4}$ "	930	2
394	Oil Pump Drive Gear Housing Cap Screw $\frac{3}{8}$ "-16 x $1\frac{1}{4}$ " U.S.S.	931	2
394	Oil Pump Drive Gear Housing Cap Screw $\frac{3}{8}$ "-16 x $1\frac{1}{2}$ " U.S.S.	932	1

## CYLINDER

20013	Cylinder Complete (Includes 13050, 13051, 13112, 13176, 14255, 188, 4924 and 50911)		1
20012	Piston Complete and Cylinder Assembly (Includes 13255 and 20010)		1
20010	Cylinder Assembly (Includes 13001, 8213, 13045, 13139, 13131, 13145, 13162, 13169, 2234, 13173, 13174, 13194, 13926 and 20091)		1
13121	Cylinder Gasket	933	1
13976	Cylinder Head Assembly (Includes Expansion Plug)	934	1
13122	Cylinder Head Gasket	935	1
13131	Cylinder Head Stud	936	25
108	Cylinder Head Stud Nut $\frac{1}{2}$ "-13 x $\frac{1}{2}$ "	937	25
4924	Cylinder Head Stud Nut Brass Washer $\frac{1}{2}$ "-1 x $\frac{1}{2}$ "	938	25
13080	Cylinder Water Outlet Manifold Assembly	939	1
5366	Cylinder Water Outlet Manifold Gasket	940	1
394	Cylinder Water Outlet Manifold Cap Screw $\frac{3}{8}$ "-16 x $1\frac{1}{2}$ "	941	4
20041	Cylinder Side Plate Assembly—Front	942	1
20045	Cylinder Side Plate Assembly—Rear	944	1
90091	Cylinder Side Plate Stud	945	4
9042	Cylinder Side Plate Stud Nut	947	4
13143	Exhaust Manifold Stud	948	12
110	Exhaust Manifold Stud Nut $\frac{1}{2}$ "-16 x $\frac{1}{2}$ "	949	12
13139	Exhaust Manifold Stud Nut Washer	950	12
8213	Carburetor Stud $\frac{3}{8}$ "-16 x $1\frac{1}{2}$ " U.S.S.	951	2
8189	Carburetor Stud Nut $\frac{3}{8}$ "-16 x $\frac{1}{2}$ " U.S.S. Hex.	952	2
13106	Carburetor Gasket	953	1
11838	Priming Cup	954	6
12217	Cylinder Petcock $\frac{1}{2}$ " Pipe Thread	955	1
13109	Fan Lever Stud	956	1
2394	Fan Lever Stud Gasket	957	1
13110	Breather Strainer	958	1
13103	Breather Strainer Screen Wire	959	1
13173	Cylinder Rear Intake Core Plug	960	1
9607	Cylinder Rear Intake Core Plug Gasket	961	1
9701	Cylinder Head $\frac{1}{2}$ " Welch Expansion Plug	962	6
14112	Cylinder 1" Welch Expansion Plug	1	1
14453	Motor Patent Number Plate	1	1
12156	Motor Patent Number Plate Escutcheon Pin	1	1
13194	Cylinder $1\frac{1}{4}$ " Welch Expansion Plug	963	7
13183	Cylinder Water Outlet Washer	964	2

## EXHAUST MANIFOLD

16305	Exhaust Manifold	964	1
13128	Exhaust Manifold Gasket	965	4
13129	Exhaust Manifold Gasket Cover	966	1
8029	Exhaust Manifold Packing Nut	967	1
8165	Exhaust Manifold Packing	968	2

## VALVES

13045	Valve Stem Guide	969	12
13041	Valve	970	12
13042	Valve Spring	971	12
13043	Valve Spring Washer	972	12
13044	Valve Spring Retainer	973	12
13046	Valve Tappet	974	12
13050	Valve Tappet Guide Clamp	975	6
9609	Valve Tappet Guide	977	12
13047	Valve Tappet Adjusting Screw	978	12
13044	Valve Tappet Adjusting Screw Nut	979	12

## PISTONS

Always specify correct weight—See note below

Part No.	NAME OF PART	Illustration No.	No. Rev.
13266	Piston .....	950	6
13192	Piston Ring .....	951	16
13093	Piston Pin .....	952	6

NOTE.—As there is a possible variation from the high and low limit of more than 4 oz. in weight in Model 0 pistons, it is very essential that the weight stamped on top of piston or pistons to be replaced, be furnished us with all orders for these parts and unless this information is given with the order, shipment will be delayed awaiting this data.

## CONNECTING ROD

14976	Connecting Rod Complete—Right Hand (Includes 14983, 15027 to 15228 inclusive) (Used in Cylinders Nos. 1, 3 and 5) .....		3
14977	Connecting Rod Complete—Left Hand (Includes 14984 to 15229 inclusive) (Used in Cylinders Nos. 2, 4 and 6) .....		3
14983	Connecting Rod—Right Hand (Used in Cylinders Nos. 1, 3 and 5) .....	953	3
15027	Connecting Rod—Left Hand (Used in Cylinders Nos. 2, 4 and 6) .....		3
13638	Connecting Rod Bearing—Upper .....	954	6
2250	Connecting Rod Bearing—Lower .....	955	6
20591	Connecting Rod Bearing Machine Screws No. 10-32 x 3/4" .....	956	24
13040	Connecting Rod Bearing Dipper .....	957	6
14513	Connecting Rod Bolt .....	958	12
13159	Connecting Rod Bearing Shim—Thin .....	959	12
13160	Connecting Rod Bearing Shim—Medium Thin .....	960	24
13161	Connecting Rod Bearing Shim—Thick .....	959	24
13162	Connecting Rod Bearing Shim—Medium Thick .....	960	24
13094	Piston Pin Clamp Bolt .....	961	6
16528	Piston Pin Clamp Bolt Lock .....	962	6

## WATER PUMP

16329	Water Pump Assembly (Includes 14584, 16322, 165, 271 and 3518) .....		1
16330	Water Pump and Shaft Assembly (Includes 3564, 5763, 59596, 19597, 16312, 19669, 16321, 14584, 165, 271, 5318, 13054, 319, 12333, and 16984) .....		1
16318	Water Pump Drive Shaft Assembly (Includes 16312, 3018, 16317 and 13113) .....		1
16319	Water Pump Drive Shaft .....	963	1
12172	Water Pump Drive Shaft Nut 3/4"-18 x 3/4" .....	964	1
9553	Water Pump Drive Shaft Nut Washer .....	965	1
19083	Water Pump Drive Shaft Bushing—Front .....	966	1
19984	Water Pump Drive Shaft Bushing Housing Complete (Includes 2657, 16214, 29698, 9450, 19592 and 12445) .....		1
19085	Water Pump Drive Shaft Bearing Housing Assembly (Includes Housing and Web Expansion Plug only) .....	967	1
3667	Water Pump Drive Shaft Bearing Housing Dowel Pin 3/4" x 1 1/2" .....		1
12442	Water Pump Drive Shaft Bearing Housing Dowel Pin 3/4" x 1 1/2" .....		1
19007	Water Pump Drive Shaft Bearing Pin 3/4" x 3/4" .....		1
9649	Water Pump Drive Shaft Bearing Housing 3/4" Web Expansion Plug .....		1
16211	Water Pump Drive Shaft Bearing Housing Gasket .....	968	1
16214	Water Pump Drive Shaft Bearing Housing Gasket .....	969	1
16221	Water Pump Body Assembly (Includes 13058, 2437) .....	1000	1
13058	Water Pump Body Bushing .....	1001	1
697	Water Pump Body Hex. Head Bolt .....		2
968	Water Pump Body to Cylinder Cap Screw 3/4"-11 x 3/4" .....	1002	2
13127	Water Pump Body to Cylinder Gasket .....	1003	1
13444	Water Pump Grease Cup Extension .....	1004	1
11803	Water Pump Grease Cup Extension Ribow .....	1005	1
13419	Water Pump Grease Cup Ball Check No. 6—Lot# 3028 .....	1006	1
14584	Water Pump Cover Assembly (Includes 13859, 2437) .....	1007	1
14041	Water Pump Cover Gasket .....	1008	1
13059	Water Pump Cover Bushing .....	1009	1
271	Water Pump Body Bolt 3/4"-20 x 3/4" U.S.S. .....	1010	5
2712	Water Pump Cover Bolt Nut 3/4"-20 x 3/4" .....	1011	5
13054	Water Pump Paddle .....	1012	1
12218	Water Pump Paddle Taper Pin .....	1013	3
10669	Water Pump Paddle Woodruff Key No. 9 .....	1014	1
19029	Water Pump Stuffing Nut—Front .....	1015	1
19027	Water Pump Stuffing Nut—Rear .....	1016	1
6203	Water Pump Stuffing Nut Gland .....	1017	1
8964	Water Pump Stuffing Nut Packing (Used as required) .....	1018	1

## FAN

Used on all models except where noted

10012	Fan and Supporting Arm Assembly .....		1
10449	Fan Assembly (Includes Parts 8199 to 8274 inclusive) .....		1
8199	Fan Blades Hub and Bearing Cups Assembly—(Includes 8277) .....	1025	1

## FAN—Continued

Qty	Part No.	NAME OF PARTS	Quantity	No.
	7043	Fan Spindle	1	1929
	8000	Fan Spindle Bolt, Nut $\frac{1}{2}$ "-14 x $\frac{1}{2}$ "	1	1927
	8021	Fan Spindle Bolt, Nut $\frac{1}{2}$ "-14 x $\frac{1}{2}$ "	1	1928
	8025	Fan Spindle Plug U.S.S. $\frac{1}{2}$ "-14 x $\frac{1}{2}$ "	1	1929
	8088	Fan Spindle Pin Lock Washer—This $\frac{1}{2}$ "	1	1926
	7148	Fan Spindle Pin Lock Washer—This $\frac{1}{2}$ "	1	1927
	12416	Pack Spindle Grease Cup No. 0—Short Stem	1	1923
	8074	Fan Spindle Pin—Short	1	1921
	8075	Fan Spindle Pin—Long	1	1922
	8077	Fan Spindle Ball Cup	1	1924
	8080	Fan Spindle Ball Cup Retainer With Balls	1	1924
	8081	Fan Ball Cup	2	1924
	8082	Fan Spindle Ball Retainer Washer	1	1924
	8087	Fan Spindle Bolt Washer	2	1924
	8023	Fan Dust Cap	1	1941
	9110	Fan Supporting Arm	1	1941
	3392	Fan Supporting Arm Cap Screw $\frac{1}{2}$ "-13 x $\frac{1}{2}$ "	1	1942
	3394	Fan Supporting Arm Bolt	1	1942
	3379	Fan Belt	1	1943

## STARTING CRANK

Used on all models except where noted

18755	Starting Crank Assembly	1
7114	Starting Crank Bracket Cap Assembly	1

## CLUTCH

Used on all models except where noted

31015	Clutch Assembly—Berleone Parts 11219, 1815 to 2217, 19123 to 4318 (Includes)	1
11202	Clutch Frame Assembly—(Includes Parts 4321, 11210)	1
4031	Clutch Spring	1
11420	Clutch Drive Hub	1
7823	Clutch Drive Jaw 1400	1
11118	Clutch Cover—(Berleone Parts 10119, 4249)	1
607	Clutch Cover Hex. Head Cap Screw $\frac{1}{2}$ "-14 x $\frac{1}{2}$ "	12
11119	Clutch Cover Gasket	1
5084	Clutch Cover Oil Retaining Ring	1
6249	Clutch Driving Stud	4
1026	Clutch Shearing Spring	20
281	Clutch Driving Disc	6
3010	Clutch Drive Disc	6
206	Clutch Case	18
6250	Clutch Shaft Bearing	1
285	Clutch Shaft Thrust Bearing Assembly (Includes Parts 586 to 594 (Includes)	1
386	Clutch Shaft Thrust Bearing Ball Race—Large	1
587	Clutch Shaft Thrust Bearing Ball Race—Small	1
482	Clutch Shaft Thrust Bearing Ball Retainer with Balls	1
384	Clutch Shaft Thrust Bearing Balls A	11
1207	$\frac{1}{2}$ "-16 Spring Assembly (Includes Parts 4289 to 4294 (Includes)	2
6248	Clutch Spring	1
6348	Clutch Spring Bolt A $\frac{1}{2}$ "-16 x $\frac{1}{2}$ " U.S.P.	1
6349	Clutch Spring Bolt B $\frac{1}{2}$ "-16 x $\frac{1}{2}$ " U.S.P.	1
6341	Clutch Spring Stud	1
507	Clutch Spring Packing Piece	1
11211	Clutch Frame Hub Washer	1
17801	Clutch Drive Hub Washer Machine Screw 14-22 x $\frac{1}{2}$ " Flat Head	1
19015	Clutch Driving Sleeve Thrust Washer	1
11075	Clutch Driving Sleeve Thrust Washer Ring	1
11120	Clutch Driving Sleeve Thrust Washer Shim	1
19020	Clutch Driving Sleeve Assembly (Includes 19021, 19022 and 11072)	1
19018	Clutch Driving Sleeve	1
19017	Clutch Driving Sleeve Extension Tube Assembly	1
11067	Clutch Driving Sleeve Extension Tube	1
19066	Clutch Driving Sleeve Extension Tube Nipple	1
19065	Clutch Driving Sleeve Extension Tube Nut $\frac{1}{2}$ "-14 x $\frac{1}{2}$ "	1
19064	Clutch Driving Sleeve Extension Tube Bracket	1
12064	Clutch Driving Sleeve Extension Tube Grease Cup	1
580	Clutch Driving Sleeve Extension Tube Grease Cup Washer $\frac{1}{2}$ "-14 x $\frac{1}{2}$ "	1
4029	Clutch Thrust Yoke	1
3259	Clutch Thrust Yoke Clutch Pin $\frac{1}{2}$ "-1 x $\frac{1}{2}$ "	1
4347	Clutch Thrust Yoke Bolt	1
409	Clutch Thrust Yoke Bolt Nut $\frac{1}{2}$ "-14 x $\frac{1}{2}$ "	1
18180	Clutch Thrust Yoke Bolt Grease Cup No. 0 Short Stem	1
18441	Clutch Thrust Yoke Bolt Grease Cup Retainer	1
4008	Clutch Thrust Yoke Bolt Grease Cup Retainer $\frac{1}{2}$ " Pipe Capring	1

## TRANSMISSION

Used on all models except where noted

Part No.	NAME OF PART	Illustration No.
18800	Transmission Assembly	1891
18803	Transmission Case	1891
40322	Transmission Case Cover Gasket	1891
20202	Transmission Case Cover—Small	1897
20203	Transmission Case Cover Gasket	1898
27783	Transmission Case Cover Cap Screw $\frac{1}{2}$ "-18 x $\frac{1}{2}$ "	1899
95556	Transmission Case Oil Hole Plug	1100
95557	Transmission Case Oil Hole Plug Gasket	1101
98116	Transmission Mainshaft Front Bearing Cap	1102
301	Transmission Mainshaft Front Bearing Cap Gasket	1102
48118	Transmission Mainshaft Front Bearing Cap Gasket	1104
27638	Transmission Packing Ring—Front	1105
98119	Transmission Mainshaft Rear Bearing Cap	1106
98228	Transmission Mainshaft Rear Bearing Cap Gasket	1107
98336	Transmission Mainshaft Rear Bearing Cap Hex. Head Bolt $\frac{1}{2}$ "-16 x $\frac{1}{2}$ " U.S.S.	1108
98220	Transmission Mainshaft Rear Bearing Cap Shim—Thin	1109
98221	Transmission Mainshaft Rear Bearing Cap Shim—Medium	1109
98222	Transmission Mainshaft Rear Bearing Cap Shim—Thick	1109
64577	Transmission Mainshaft Washer—Rear	1110
98223	Transmission Mainshaft Washer—Front	1111
98224	Transmission Mainshaft Washer—Rear	1112
98226	Transmission Countershaft Bearing Cap	1112
304	Transmission Countershaft Bearing Cap Cap Screw $\frac{1}{2}$ "-16 x $\frac{1}{2}$ "	1113
98224	Transmission Countershaft Bearing Cap Cap Screw $\frac{1}{2}$ "-16 x $\frac{1}{2}$ "	1113
98227	Transmission Countershaft Bearing Cap Gasket	1116
58523	Transmission Gear Shift Lock and Interlock Mounting	1117
5175	Transmission Gear Shift Mounting Gasket	1118
526	Transmission Gear Shift Interlock Ball	1120
119	Transmission Gear Shift Interlock Cap Screw $\frac{1}{2}$ "-16 x $\frac{1}{2}$ " U.S.S.	1120
98125	Transmission Gear Shift Mounting—Front	1121
119	Transmission Gear Shift Mounting Cap Screw $\frac{1}{2}$ "-16 x $\frac{1}{2}$ " U.S.S.	1122
391	Clutch Pedal Throat Adjusting Cap Screw $\frac{1}{2}$ "-16 x $\frac{1}{4}$ "	1122
54922	Clutch Pedal Throat Adjusting Cap Screw Nut $\frac{1}{2}$ "-16 x $\frac{1}{4}$ "	1122
98230	Transmission Second and Third Speed Gear SHIFTING SHAFT	1124
9814	Transmission Second and Third Speed Gear SHIFTING FORK	1125
50609	Transmission Second and Third Speed Gear SHIFTING FORK SCREW	1126
98229	Transmission First and Reverse Gear SHIFTING SHAFT	1127
98126	Transmission First and Reverse Gear SHIFTING FORK	1128
64236	Transmission First and Reverse Gear SHIFTING FORK SCREW	1129
11021	Transmission Gear Shift Lock Plunger	1120
11080	Transmission Gear Shift Lock Plunger Spring	1131
11079	Transmission Gear Shift Lock Plunger Plug	1131
9804	Transmission Mainshaft	1132
2751	Transmission Mainshaft Washer	1134
3014	Transmission Mainshaft Nut $\frac{1}{2}$ "-16 x $\frac{1}{2}$ "	1135
16347	Transmission Mainshaft Drive Gear, 15 Teeth	1136
9808	Transmission Mainshaft Drive Gear Pin	1137
37	Transmission Mainshaft Drive Gear Pin $\frac{1}{2}$ " Ball	1138
16318	Transmission Mainshaft High and Intermediate Gear, 25 Teeth	1139
9809	Transmission Mainshaft Low and Reverse Gear, 31 Teeth	1140
7476	Transmission Mainshaft Drive Gear Inner Bearing (Hyratt Roller Bearing No. 16829)	1141
98239	Transmission Mainshaft Front Bearing Hyatt No. 17026	1142
98238	Transmission Mainshaft Rear Bearing Hyatt No. 16884	1143
9824	Transmission Mainshaft Drive Gear Washer—Front	1144
18762	Transmission Mainshaft Drive Gear Washer—Rear	1145
10189	Transmission Mainshaft Drive Gear Bronze Washer	1146
9823	Transmission Mainshaft Bronze Washer—Rear	1147
10084	Transmission Mainshaft Bronze Washer Rear Oil Guide	1148
10963	Transmission Mainshaft Bronze Washer Dowel	1149
10976	Transmission Mainshaft Rear Shim—Thin	1150
10977	Transmission Mainshaft Rear Shim—Thick	1151
10986	Transmission Bearing Rear Cap and Thrust Washer Assembly	1152
9805	Transmission Countershaft	1153
896	Transmission Countershaft No. 18 Woodruff Key	1153
9837	Transmission Countershaft Bearing Hyatt No. 16504	1154
10692	Transmission Countershaft Rear Bearing Shim—Thick	1155
10693	Transmission Countershaft Rear Bearing Shim—Medium	1156
10694	Transmission Countershaft Rear Bearing Shim—Thin	1157
10848	Transmission Countershaft Rear Bearing Lock Screw	1158
16319	Transmission Countershaft Drive Gear, 10 Teeth	1159
16320	Transmission Countershaft Intermediate Gear, 21 Teeth	1160
16321	Transmission Countershaft Low Speed Gear, 17 Teeth	1161
16322	Transmission Countershaft Reverse Gear, 14 Teeth	1162
9811	Transmission Reverse Gear, 17 Teeth	1162
357	Transmission Countershaft Spacing Collar	1164
10170	Transmission Countershaft W. 16170	1165
10171	Transmission Countershaft Bronze Washer	1166
9806	Transmission Reverse Gear Shaft	1167
7478	Transmission Reverse Gear Bearing No. 16820 Hyatt	1168
16172	Transmission Reverse Gear Thrust Washer	1169

## TRANSMISSION—Continued

Part No.	NAME OF PARTS	Illustration No.	No. Req.
11800	Transmission Case Hex. Head Bolt $\frac{1}{2}$ "-24 x 3 $\frac{1}{2}$ "	1170	1
11807	Transmission Case Hex. Head Bolt $\frac{1}{2}$ "-20x4"	1171	1
19443	Transmission Case Hex. Head Bolt Nut $\frac{1}{2}$ "-24 x 3 $\frac{1}{2}$ "	1172	2
2044	Transmission Case Pipe Plug $\frac{1}{2}$ "	1173	3
720	Transmission Case Hex. Head Cap Screw $\frac{1}{2}$ "-12 x 2 $\frac{1}{2}$ " U.S.S.	1174	2
6475	Transmission Gear Shift Boot	1175	1

## RADIATOR AND SHUTTER ASSEMBLY

Used on all models except where noted

20630	Radiator Complete With Shutter		1
20631	Radiator Complete Without Shutter		1
12350	Radiator Shell and Shutter Complete	1150	1
12355	Radiator Shell Stove Bolt	1161	8
20623	Radiator Core, Tank and Support Assembly	1162	1
14881	Radiator Shutter Adjusting Shaft Assembly		1
14877	Radiator Shutter Adjusting Shaft Handle Assembly (Includes 14878, 14879)		1
14832	Adjusting Shaft Handle (Not sold separately)		1
14851	Adjusting Shaft Handle Screw (Not sold separately)		1
14880	Adjusting Shaft Guide Nut		1
14885	Adjusting Shaft Guide		1
14856	Adjusting Shaft Guide Spring		1
14854	Adjusting Shaft Guide		1
14975	Radiator Shutter Adj. Shaft, Guide, Plunger and Spring Assembly (Includes Parts 14854, 14855, 14856, 14910)		1
15179	Radiator Shutter Operating Rod Long Assembly (Includes Parts 14860 to 15178, Inc.)		1
14869	Operating Rod—Long		1
14859	Operating Rod Clevis		1
14850	Operating Rod Clevis Pin		1
794	Operating Rod Nut $\frac{1}{2}$ "-24 x $\frac{1}{2}$ " U.S.S. Hex.		1
15178	Operating Rod Long Washer		1
14848	Operating Rod Short Assembly (Includes parts 14844, 14845)	1183	1
14844	Operating Rod—Short		1
12080	Operating Rod Hex. Nut $\frac{1}{2}$ "-24 x $\frac{1}{2}$ " U.S.S.		1
14845	Buffer Spring Collar		1
14849	Buffer Spring		1
14912	Buffer Spring Collar Pin		1
14846	Operating Rail Bracket	1187	1
14911	Operating Rod Long Dash Ferrule		1
14862	Bell Crank	1188	1
14807	Bell Crank Bracket Screw		1
14808	Bell Crank Bracket		1

NOTE.—Radiator Shutter Assemblies start numbering from the top.

15105	Radiator Shutter Assembly No. 1	1191	1
15106	Radiator Shutter Assembly No. 2	1192	1
15107	Radiator Shutter Assembly No. 3	1193	1
15108	Radiator Shutter Assembly No. 4	1194	1
15109	Radiator Shutter Assembly No. 5	1195	1
15110	Radiator Shutter Assembly No. 6	1196	1
15111	Radiator Shutter Assembly No. 7	1197	1
15112	Radiator Shutter Assembly No. 8	1198	1
15113	Radiator Shutter Assembly No. 9	1199	1
15114	Radiator Shutter Assembly No. 10	1200	1
15115	Radiator Shutter Assembly No. 11	1201	1
15116	Radiator Shutter Assembly No. 12	1202	1
15117	Radiator Shutter Assembly No. 13	1203	1
15118	Radiator Shutter Assembly No. 14	1204	1
15119	Radiator Shutter Assembly No. 15	1205	1
15120	Radiator Shutter Assembly No. 16	1206	1
15121	Radiator Shutter Assembly No. 17	1207	1
15122	Radiator Stationary Rail Assembly		2
15123	Radiator Operating Rail Assembly		2
12059	Stationary Rail Flat Head Screw $\frac{1}{2}$ "-24 x $\frac{1}{2}$ "		8
12060	Stationary Rail Flat Head Screw Nut $\frac{1}{2}$ "-24 x $\frac{1}{2}$ "		8
15128	Radiator Core Band Bolt		4
12061	Radiator Core Band Bolt Nut $\frac{1}{2}$ "-20 x $\frac{1}{2}$ "		4
581	Radiator Outlet Pipe Plug		1
15068	Radiator Filler Cap (Tapped for Motor-meter)	1209	1
647	Radiator Filler Cap Gasket		1
10030	Radiator Name Plate	1211	1
18454	Radiator Inlet Hose	1212	1
18455	Radiator Outlet Hose	1213	1
18459	Radiator Outlet Hose Reinforcement	1214	1
20778	Hose Clamp	1215	4
14360	Radiator Tie Rod Complete (Includes Parts 14345 to 62, inclusive)		1
18456	Radiator Tie Rod	1216	1
20112	Radiator Tie Rod Clevis Pin	1217	2
60	Radiator Tie Rod Hex. Nut $\frac{1}{2}$ "-24 x $\frac{1}{2}$ "	1218	2
17948	Radiator Support Hex. Head Bolt $\frac{1}{2}$ "-20 x $\frac{1}{2}$ "	1219	1



## RADIATOR AND SHUTTER ASSEMBLY—Continued

Part No.	NAME OF PARTS	Illustration No.	No. of Pieces
2014	Radiator Support Hex. Head Bolt Acorn Nut $\frac{5}{8}$ "-20 x 1" U.S.F.	1220	2
13438	Radiator Support Bracket Shim		4
14459	Radiator Filler		1
14460	Radiator Filler Flange		1
14461	Radiator Jacket Valve		1
12080	Radiator Drain Valve $\frac{3}{8}$ " Pipe Plug	1222	1
13437	Radiator Lacing	1223	1

## BONNET

Used on all models except where noted

10279	Bonnet Complete		1
10664	Bonnet Corner Shield		4
13362	Bonnet Handle		2
11802	Bonnet Handle No. 11-24 x $\frac{3}{8}$ " Button Head Machine Screw		4
12791	Bonnet Handle No. 12-24 x $\frac{3}{8}$ " Square Nut		4
10277	Bonnet Lock Seals		4
10297	Bonnet Rest		2
10298	Bonnet Rest Rivet Spacer		2
13326	Bonnet Hinge Rod—Upper		1
13359	Bonnet Hinge Rod—Side		2

## BONNET LOCK

Used on all models except where noted

14273	Bonnet Lock Assembly (Parts not sold separately)		4
10276	Bonnet Lock Stem Bracket Shim (Use as required)		4
12464	Bonnet Lock No. 10-22 x $\frac{3}{8}$ " Button Head Machine Screws		12
12799	Bonnet Lock No. 10-22 x $\frac{3}{8}$ " Hex. Nut		12

## CARBURETOR

Used on all models except where noted

15480	Carburetor Complete with Muffler		1
15000	Carburetor Assembly		1
15439	Carburetor Body Complete (Includes 13406, 15402, 14400, 105, 124, 14426, 15002)		1
14480	Carburetor Body Assembly (Includes 13413, 14907, 14423, 14424)	1250	1
14423	Carburetor Body and Plug Assembly (Includes 13403 and 12419)		1
13102	Carburetor Body (Not sold separately)		1
14122	Carburetor Body Cover Gasket	1251	2
13406	Carburetor Body Cover	1252	2
14006	Carburetor Body Cover Screw	1253	8
15008	Carburetor Float Chamber Complete (Includes 1222, 1029, 15859, 15854, 13414, 12981, 12992, 12994, 15458, 12404, 15400)		1
15006	Carburetor Float Chamber Assembly (Includes 12993 and 12997)		1
15007	Carburetor Float Chamber and Plug Assembly (Includes 14107 and 12419)		1
14262	Carburetor Float Chamber	1254	1
13419	Carburetor Float Chamber Plug (Not sold separately)		1
15000	Carburetor Float Chamber Cover Assembly (Includes 13412, 13414, 12994 and 15443)		1
13411	Carburetor Float Chamber Cover	1255	1
15059	Carburetor Float Chamber Cover Dust Cap	1256	1
15061	Carburetor Float Cover Spring Assembly (Includes 12997 and 12463)		1
13907	Carburetor Float Cover Spring	1257	1
15056	Carburetor Float Cover Screw	1258	1
15060	Carburetor Float Cover Spring Button	1259	1
15058	Carburetor Float Cover Spring Spacer	1260	1
13904	Carburetor Float	1261	1
13905	Carburetor Float Weight	1262	2
15061	Carburetor Float Weight Axle	1263	2
13901	Carburetor Needle Valve (Not sold separately)	1264	1
13902	Carburetor Needle Valve Collar (Not sold separately)	1265	1
13903	Carburetor Needle Valve Seat	1266	1
13416	Carburetor Caston Body	1267	1
12823	Carburetor Filter Screen	1268	1
12823	Carburetor Filter Screen Plug	1269	1
15000	Carburetor Jet Housing Complete (Includes 12431, 12432, 14022, 12437, 15002, 15004)		1
15002	Carburetor Jet Housing Assembly (Includes 14589, 13425, 13422)	1270	1
14588	Carburetor Jet Housing (Not sold separately)		1
13437	Carburetor Jet Packing	1271	1
13435	Carburetor Jet Housing Screw Plug	1272	1
15004	Carburetor Jet Gear Washing Assembly (Includes 14524, 4505, 14586, 12437, 14819, 14439, 15457)		1
14819	Carburetor Jet Gear and Shaft Assembly (Includes 14524, 15489)	1273	1
14522	Carburetor Jet Gear (Not sold separately)		1

## CARBURETOR—Continued

Part No.	NAME OF PARTS	Illustr. See No.	No. Req.
15408	Carburetor Jet Gear Shaft (Not sold separately)		1
14524	Carburetor Jet Gear Lever	1274	1
4565	Carburetor Jet Gear Lever Taper Pin No. 69 x 3/4"	1275	1
14586	Carburetor Jet Gear Shaft Packing	1276	1
14439	Carburetor Jet Gear Shaft Packing Nut	1277	1
15867	Carburetor Jet Gear Shaft Packing Nut Lock	1278	1
14522	Carburetor Jet	1279	1
15431	Carburetor Jet Packing Glass—Upper	1280	1
14422	Carburetor Jet Packing Glass—Lower	1281	1
14919	Carburetor Drain Cock 3/4" Pipe Thread	1282	1
15403	Carburetor Bell Assembly (Includes 12467 to 12418 inclusive)		1
12467	Carburetor Bell	1283	1
14514	Carburetor Jet Needle	1284	1
12418	Carburetor Jet Needle Pin	1285	1
12421	Carburetor Bell Gasket	1286	1
12420	Carburetor Bell Guide Dowel Pin	1287	6
14424	Carburetor Valve Shaft Assembly (Includes 12422, 14425, 1722, 14423)		1
12422	Carburetor Butterfly Valve Shaft	1288	1
14422	Carburetor Butterfly Valve Shaft	1289	1
14425	Carburetor Butterfly Valve Lever Assembly (Includes 12427, 14012, 14013)		1
12427	Carburetor Butterfly Valve Shaft Lever	1290	1
1722	Carburetor Butterfly Valve Shaft Lever Taper Pin No. 69 x 3/4"		1
14012	Carburetor Butterfly Valve Lever Adjusting Screw	1291	1
14013	Carburetor Butterfly Valve Lever Adjusting Screw Lock	1292	1
12413	Carburetor Butterfly Valve	1293	1
14007	Carburetor Butterfly Valve Screw	1294	1

## CARBURETOR MUFFLER

Used on all models except where noted

17479	Carburetor Muffler Assembly		1
14067	Carburetor Muffler Butterfly Valve Screw		2
17480	Carburetor Muffler Body		2
12416	Carburetor Muffler Body Pin Head Cap Screws 3/4" x 3/8" U.S.C.		2
16442	Carburetor Muffler Flange		1
12463	Carburetor Muffler Flange Pin Head Cap Screws 3/4" x 20mm U.S.C.		1
17483	Carburetor Muffler Butterfly Valve Shaft		1
17484	Carburetor Muffler Butterfly Valve Shaft Lever		1
17322	Carburetor Muffler Butterfly Valve Shaft Lever No. 8989 x 3/4" Taper Pin		1
16446	Carburetor Muffler Butterfly Valve Shaft Packing		1
16026	Carburetor Muffler Butterfly Valve		1

## CARBURETOR AIR AND GAS CONTROL

Used on all models except where noted

16436	Carburetor Air and Gas Control Cowl Plate	1299	1
12137	Carburetor Air and Gas Control Cowl Plate Oval Head Machine Screw No. 6—32		2
13761	Carburetor Air and Gas Control Cowl Male Clamp	1241	2
13565	Carburetor Air and Gas Control Dash Support	1262	1
3517	Carburetor Air and Gas Control Dash Support Button Head Steve Bolt 3/4" x 3/4"	1263	1
13566	Carburetor Air and Gas Control Spring	1264	2
13562	Carburetor Gas Control Tube Assembly (Includes Parts 12113, 12112)	1265	1
12113	Carburetor Gas Control Tube	1266	1
12514	Carburetor Gas Control Tube Lever—Upper	1267	1
12515	Carburetor Gas Control Tube Lever—Lower	1268	1
13567	Carburetor Gas Control Rod to Rocker Shaft	1269	1
8329	Carburetor Gas Control Rod Ball Joint 3/4" x 28	1270	2
794	Carburetor Gas Control Rod Ball Joint Nut 3/4" x 28	1271	4
13516	Carburetor Gas Control Rod Crank	1272	1
14261	Carburetor Gas Control Rod Complete—Bell Crank to Carburetor (Includes Parts 12117 to 12114 inclusive)		1
12117	Carburetor Gas Control Rod—Bell Crank to Carburetor	1273	1
8982	Carburetor Gas Control Rod Clevis Pin 3/4" S.A.E.	1274	2
794	Carburetor Gas Control Rod Ball Joint 3/4" x 28	1275	1
574	Carburetor Gas Control Rod Adjusting Yoke Rod	1276	1
18971	Carburetor Air Control Shaft Assembly (Includes Parts 12118 and 18968)	1277	1
12518	Carburetor Air Control Shaft	1277	1
12965	Carburetor Air Control Shaft Lever—Lower	1278	1
17649	Carburetor Air Control Shaft Lever—Upper	1279	1
17641	Carburetor Air Control Shaft Lever—Upper Friction Block	1280	1
5818	Carburetor Air Control Shaft Lever—Upper Friction Block Spring	1281	1
12126	Carburetor Air Control Shaft Lever—Upper Pin 3/8 x 3/4"	1282	1
13597	Carburetor Air Control Rod to Rocker Shaft	1283	1
8329	Carburetor Air Control Rod Ball Joint 3/4" x 28 U.S.F.	1284	2
794	Carburetor Air Control Rod Ball Joint Nut 3/4" x 28 U.S.F.	1285	4

## CARBURETOR AIR AND GAS CONTROL—Continued

Part No.	NAME OF PARTS	Illustr. No.	No. Req.
16480	Carburetor Air and Gas Control Rocker Shaft Complete (Includes Parts 16489, 13597 to 16490, 14261, 14501) .....		1
16489	Carburetor Air and Gas Control Rocker Shaft Assembly (Includes Parts 13598 to 13617, 12316) .....		1
13598	Carburetor Air and Gas Control Rocker Shaft .....	1226	1
16438	Carburetor Air and Gas Control Lever—Long .....	1227	1
7911	Carburetor Air and Gas Control Lever—Long Pin No. 89 x 3/4" .....		1
13519	Carburetor Air and Gas Control Lever—Short .....	1229	1
7913	Carburetor Air and Gas Control Lever—Short Pin No. 89 x 3/4" .....		1
13514	Carburetor Air and Gas Control Rocker Shaft Collar .....	1230	1
7911	Carburetor Air and Gas Control Rocker Shaft Collar Pin No. 89 x 3/4" .....	1231	1
13512	Carburetor Air and Gas Control Rocker Arm Bracket .....	1232	2
3517	Carburetor Air and Gas Control Rocker Shaft Bracket Stove Bolt 3/4 x 3/4" .....	1233	4
16501	Carburetor Air Control Rod Complete—Rocker Shaft to Muffler (Includes Parts 16437 to 1223 Indefinite) .....		1
16437	Carburetor Air Control Rod—Rocker Shaft to Muffler .....	1234	1
4662	Carburetor Air Control Rod—Clevis Pin 3/4" S.A.E. .....	1235	2
794	Carburetor Air Control Rod Hex. Nut 3/4"-18 U.S.F. .....	1236	2
5774	Carburetor Air Control Rod Adjusting Yoke End .....	1237	1
8339	Carburetor Air Control Rod Special Ball Joint .....	1238	1
18068	Carburetor Air Control Spring .....		1
18069	Carburetor Air Control Spring Clip .....		1

## MUFFLER AND EXHAUST PIPE

Used on all models except where noted

16484	Muffler Assembly .....	1
18008	Exhaust Pipe (Used on TP, 4P, R.L. and C.B.) .....	1
18648	Exhaust Pipe (Used on T.S., T.L., L. and 4C) .....	1
16498	Exhaust Pipe Clamp .....	1
12975	Exhaust Pipe Clamp 3/4"-18 x 1" U.S.S. Hex. Head Cap Screw .....	2
318	Exhaust Pipe Clamp 3/4"-18 x 3/4" U.S.S. Hex. Head Cap Screw .....	2
132	Exhaust Pipe Clamp Nut 3/4"-18 x 3/4" U.S.S. .....	2
18006	Exhaust Pipe Covering .....	2
3397	Exhaust Pipe Covering Strap .....	2
18789	Muffler Tail Pipe .....	1
18790	Muffler Tail Pipe Clip .....	1
18005	Muffler Tail Pipe Clip Stove Bolt 3/4"-18 x 2 1/4" .....	2
12199	Muffler Tail Pipe Clip Stove Bolt 3/4" x 1 1/4" .....	1
16499	Muffler Tail Pipe Clamp .....	1
12975	Muffler Tail Pipe Clamp Hex. Head Cap Screw 3/4"-18 x 1" U.S.S. .....	2
319	Muffler Tail Pipe Clamp Hex. Head Cap Screw 3/4"-18 x 3/4" U.S.S. .....	2
132	Muffler Tail Pipe Clamp Hex. Nut 3/4"-18 x 3/4" .....	2

## HEATER

20218	Heater Assembly (Used on 4C, L. and T.L.) .....	1
16461	Heater Assembly (Used on T.S. only) .....	1
20406	Heater Assembly (Used on L. only) .....	1
20227	Heater Control Lever Assembly (Used on 4C and T.L.) .....	1
20224	Heater Valve Control Bell Crank and Rod Assembly (Used on T.S. only) .....	1
20226	Heater Valve Body and Rod Complete (Used on L. and 4C) .....	1
20223	Heater Valve Body and Rod Complete (Used on T.S. and T.L.) .....	1
20284	Heater Valve Body Assembly (Used on 4C, L., T.S. and T.L.) .....	1
20214	Heater Control Indicator Assembly (Used on T.S. only) .....	1
20250	Heater Control Plate (Used on T.S. only) .....	1
20228	Heater Control Shaft Bracket (Used on T.S. only) .....	1
20222	Heater Control Indicator Handle (Used on T.S. only) .....	1
20220	Heater Control Lever Knob (Used on T.S. only) .....	1
20221	Heater Control Latch Spring (Used on T.S. only) .....	1
20251	Heater Control Shaft (Used on T.S. only) .....	1
20246	Heater Valve Control Rod Spring (Used on T.S., T.L., 4C and L.) .....	1
20216	Heater Valve Control Rod (Used on 4C, T.S., L. and T.L.) .....	1
20218	Heater Valve Control Rod Bell Crank to Valve—Upper (Used on T.S. only) .....	1
20225	Control Handle Shaft Spring (Used on 4C, T.S., L. and T.L.) .....	1
20215	Heater Valve Operating Rod (Used on 4C only) .....	1
20217	Heater Valve Operating Rod (Used on T.L. only) .....	1
20284	Heater Control Handle Shaft (Used on 4C, L. and T.L.) .....	1
20226	Heater Control Indicator Handle (Used on 4C, L. and T.L.) .....	1
20228	Heater Control Lever Knob (Used on 4C, L. and T.L.) .....	1
20229	Heater Control Lever Knob Spring (Used on 4C, L. and T.L.) .....	1
20244	Heater Inlet Elbow (Used on 4C, L. and T.L. only) .....	1
20245	Heater Outlet Elbow (Used on 4C, L. and T.L. only) .....	1
18055	Heater Elbow Cap Screw 3/4"-20 x 3/4" (Used on 4C, L. and T.L. only) .....	2
12977	Heater Elbow Cap Screw Nut 3/4"-20 x 3/4" (Used on 4C, L. and T.L. only) .....	2
20235	Heater Control Rod Support Bracket (Used on T.L. and L. only) .....	1

## GASOLINE TANK

Used on all models except where noted

Part No.	NAME OF PARTS	Illustration No.	No. Rev.
18990	Gasoline Tank Complete		1
18990	Gasoline Tank Assembly (Includes all parts riveted to Tank)		1
18990	Gasoline Tank Outlet Assembly		1
18998	Gasoline Tank Outlet Pipe Elbow	1240	1
18991	Gasoline Tank Outlet Pipe	1241	1
20446	Sediment Cup $\frac{1}{2}$ " Pipe Plug	1242	1
12492	Gasoline Tank Filler Cap	1243	1
12493	Gasoline Tank Filler Cap Gasket	1244	1

## GASOLINE GAUGE (Square Float Type)

Used on all models except where noted

13550	Gasoline Gauge Assembly (Ready to Install)		1
13551	Gasoline Gauge Cap	1246	1
13552	Gasoline Gauge Cap Gasket	1247	1
13553	Gasoline Gauge Glass	1248	1
13554	Gasoline Gauge Dial, Indicator and Arm Assembly	1249	1
13555	Gasoline Gauge Float Guide and Float Assembly	1250	1

## GASOLINE TANK STRAP

Used on all models except where noted

18792	Gasoline Tank Strap Complete—Right		1
18793	Gasoline Tank Strap Complete—Left		1
18652	Gasoline Tank Strap Assembly		2
18656	Gasoline Tank Support Draw Bolt—Front		2
18651	Gasoline Tank Support Draw Bolt—Rear		2
62	Gasoline Tank Support Draw Bolt $\frac{1}{2}$ "-24 x 11"		2
17940	Gasoline Tank Support Draw Bolt $\frac{1}{2}$ "-20 x 11"		2
18654	Gasoline Tank Strap Link		2

## GASOLINE VACUUM TANK

Used on all models except where noted

13570	Gasoline Vacuum Tank Assembly		1
11845	Flared Tube Union $\frac{1}{2}$ " Pipe x $\frac{1}{2}$ "-18 U.S.P.	1253	1
1974	Gasoline Vacuum Tank Hex. Head Bolt $\frac{1}{2}$ "-18 x 1 $\frac{1}{2}$ "		4
122	Gasoline Vacuum Tank Hex. Head Cap Screw Nut $\frac{1}{2}$ "-18 x $\frac{1}{2}$ "		4
1297	Gasoline Vacuum Tank Hex. Head Cap Screw Plain Washer 11" x $\frac{1}{2}$ " x $\frac{1}{2}$ "		4
18832	Gasoline Line Assembly—Gasoline Tank to Vacuum Tank		1
11828	Gasoline Line—Gasoline Tank to Vacuum Tank $\frac{1}{2}$ " S.A.E. Union Nut		1
13071	Gasoline Vacuum Tank Gasoline Inlet Connection	1253A	1
13072	Gasoline Vacuum Tank Gasoline Inlet Connection Gasket	1253B	2
15292	Vacuum Pipe Assembly—Vacuum Tank to Intake Core Plug (Includes 11842)	1254	1
11842	Vacuum Pipe—Vacuum Tank to Intake Core Plug Flared Tube Union Nut $\frac{1}{2}$ " S.A.E.	1255	1
15293	Gasoline Pipe Assembly—Vacuum Tank to Carburetor (Includes 11546)		1
11846	Gasoline Pipe—Vacuum Tank to Carburetor Flared Tube Union Nut $\frac{1}{2}$ " S.A.E.		2
13733	Gasoline Line Clip		2
14100	Hand Vacuum Pump Assembly		2
14109	Hand Vacuum Pump Screw Nut	1256	2
12216	Hand Vacuum Pump Machine Screw No. 6-32 x $\frac{1}{2}$ "	1257	2
12214	Union Elbow $\frac{1}{2}$ " Pipe $\frac{1}{2}$ "-20 U.S.P., S.A.E.	1258	2
18561	Hand Vacuum Pump Flange Head and Handle Assembly	1259	1
12709	Hand Vacuum Pump Hex. Nut No. 10-32 x $\frac{1}{2}$ "	1260	1
18562	Hand Vacuum Pump Body Assembly	1261	1
18563	Hand Vacuum Pump Body Cover	1262	1
18564	Hand Vacuum Pump Plunger	1263	1
18565	Hand Vacuum Pump Plunger Seal	1264	1
18566	Hand Vacuum Pump Plunger Washer	1265	1
18567	Hand Vacuum Pump Stop Spring	1266	1
14596	Vacuum Pipe Assembly—Hand Pump to Vacuum Tank (Includes 11842, 12613)		1
11842	Flared Tube Union Nut $\frac{1}{2}$ " S.A.E.	1267	1
13617	Hand Pump to Vacuum Tank Vacuum Pipe Dash Ferrule		1

## GASOLINE PRIMER

14690	Gasoline Primer Pump Assembly (Not sold—see notice below)		1
15426	Gasoline Primer Pump Body Assembly		1
15427	Gasoline Primer Pump Plunger		1
15428	Gasoline Primer Pump Plunger Guide		1
15429	Gasoline Primer Pump Plunger Packing		1

## GASOLINE PRIMER—Continued

Part No.	NAME OF PART	Quantity	No.
10420	Gasoline Primer Pump Plunger Packing Nut	1	1
10431	Gasoline Primer Pump Plunger Packing Gland	1	1
10432	Gasoline Primer Pump Plunger Spring	1	1
10433	Gasoline Primer Gypure Plug	1	1
10434	Gasoline Primer Valve Ball Spring	1	1
10435	Gasoline Primer Valve Ball Spring Retaining Screw	1	1
10436	Gasoline Primer Anchor Filler Nut	1	1
10437	Gasoline Primer Anchor Nut—Rotor	1	1
10438	Gasoline Primer Anchor Nut—Outer	2	1
10439	Gasoline Primer Ball $\frac{1}{8}$ "	1	1
10441	Gasoline Primer Body Flat Washer $\frac{1}{2}$ " x 1 x $\frac{1}{8}$ "	1	1
10458	Gasoline Primer Cylinder Elbow Assembly	1	1
10459	Gasoline Primer and Yuccum Cross Assembly	1	1
10464	Gasoline Primer Gland	6	1
10483	Gasoline Primer Gland Nut	1	1
10485	Gasoline Primer Yuccum Tank Connections	1	1
10477	Cylinder Intake Core Plug Threaded	2	1
10474	Cylinder Intake Core Plug Gasket	1	1
10466	Gasoline Primer Tube Cross to Cylinder Elbow	1	1
10467	Gasoline Primer Tube—Pump to Cross	1	1
10468	Gasoline Primer Tube Pump to Yuccum Tube	1	1
10469	Gasoline Primer Cylinder Edge	1	1

NOTE:—If complete Primer Assemblies are wanted, order direct from the manufacturer, the Lockenheimer Co., Cincinnati, Ohio.

## WINDSHIELD

Used on TP, only

10395	Windshield Complete		3
17091	Windshield Frame and Glass Complete—Upper	1074	3
17090	Windshield Frame Complete—Upper less Glass	1075	1
17093	Windshield Glass Gasket—Upper	1073	1
17092	Windshield Frame and Glass Complete—Lower	1072	1
17094	Windshield Frame Complete—Lower less Glass	1074	1
17095	Windshield Glass Gasket—Lower	1073	1
10440	Windshield Glass to Glass Weatherstrip	1	1
10075	Windshield Glass Center Clip	1071	4
9164	Windshield Glass Corner Clip Machine Screw No. 12-24" x $\frac{1}{8}$ "	1074	4
10277	Windshield Friction Gasket	1075	2
10409	Windshield Friction Case Stud—Upper	1076	2
10408	Windshield Friction Case Stud—Lower	1076	2
10386	Windshield Lower Friction Case Stud Lock Washer	1042	2
10385	Windshield Lower Friction Case Stud Washer	1043	2
9061	Windshield Upper Friction Case Stud Washer	1044	2
9056	Windshield Lower Anchor Nut $\frac{1}{2}$ "-24 x $\frac{1}{8}$ "—U.S.P.	1044	2
10499	Windshield Upper Wing Nut	1044	1
10384	Windshield Lower Handle Screw	1047	2
10480	Windshield Lower Handle Screw Nut	1048	2
10278	Windshield Rubber	1049	2
10279	Windshield Rubber Clip	1049	2
10430	Windshield Bumper Clip Screw	1030	2
10431	Windshield Bumper Clip Screw Nut	1040	2
10298	Windshield Weatherstrip Windshield to Body	1041	1
10300	Windshield Anchor Post—Right Hand	1042	1
10297	Windshield Anchor Post—Left Hand	1042	1
10467	Windshield Anchor Post $\frac{1}{2}$ "-20 x $\frac{1}{8}$ "—U.S.P. Oval Head Cap Screw	1044	4
3423	Windshield Anchor Post $\frac{1}{2}$ "-20 x $\frac{1}{8}$ "—U.S.P. Hex Nut	1045	4
4078	Windshield Curtain Fastener Part No. 8-12 x 5	1197	4
10299	Windshield to Body Weatherstripping Reinforcement	1	1
10430	Windshield to Body Weatherstripping Reinforcement Washer	11	1
10276	Windshield to Body Weatherstripping Reinforcement No. 10-22 x $\frac{1}{8}$ " Bottom Head Machine Screws	11	1

## WINDSHIELD (4 P.)

10400	Windshield Complete		1
17040	Windshield Frame and Glass Complete—Upper	1098	1
17041	Windshield Frame Complete—Upper less Glass	1099	1
17042	Windshield Glass—Upper	1098	1
17043	Windshield Glass Gasket—Upper	1099	1
17044	Windshield Frame and Glass Complete—Lower	1098	1
17045	Windshield Frame Complete—Lower less Glass	1099	1
17046	Windshield Glass Lower	1098	1

## WINDSHIELD (4 P.)—Continued

Part No.	NAME OF PARTS	Illustration No.	No. Req.
17622	Windshield Glass Gasket—Lower	1452	1
16104	Windshield Glass Gasket Weatherstrip		1
16273	Windshield Corner Clip	1464	4
9154	Windshield Glass Corner Clip Machine Screw No. 12-24 x 1/2"	1465	4
16277	Windshield Friction Cone	1466	4
14627	Windshield Friction Cone Stud—Upper	1467	2
14628	Windshield Friction Cone Stud—Lower	1468	2
16736	Windshield Lower Friction Cone Stud Lock Washer	1469	2
16280	Windshield Lower Friction Cone Stud Washer	1470	2
4981	Windshield Upper Friction Cone Stud Washer	1471	2
9153	Windshield Lower Axors Nut 1/2"-24 x 1/2"—U.S.F.	1472	2
11160	Windshield Upper Wing Nut	1473	2
15984	Windshield Lower Handle	1474	2
14629	Windshield Lower Handle Screw	1475	2
11629	Windshield Bumper Clip Screw Nut	1476	2
14278	Windshield Bumper	1478	2
14279	Windshield Bumper Clip	1477	2
14280	Windshield Bumper Clip Screw	1478	2
16610	Windshield to Body Weatherstrip	1479	1
16699	Windshield to Body Weatherstrip Reinforcement		1
12378	Windshield to Body Weatherstrip Reinforcement Machine Screw No. 1022 x 3/8"		11
15304	Windshield to Body Weatherstrip Reinforcement Washer		11
16604	Windshield Anchor Post—Right Hand	1420	1
16605	Windshield Anchor Post—Left Hand	1471	1
12407	Windshield Anchor Post 1/2"-20 x 2 1/2"—U.S.F. Oval Head Cap Screw	1472	2
14433	Windshield Anchor Post 1/2"-20 x 1/2"—U.S.F. Hex Nut	1473	2
18437	Windshield Anchor Post to Body Shim	1474	2
4978	Windshield Curtain Fastener Post No. E-32 x 1/2"	1475	6

## FRONT FENDERS

Used on all models except where noted

18833	Front Fender—Right		1
18834	Front Fender—Left		1
19013	Front Fender Iron Front—Right		1
19016	Front Fender Iron Front—Left		1
17843	Front Fender Iron Rear—Right		1
17844	Front Fender Iron Rear—Left		1
19147	Front Fender Filler Strip		2

## FRONT FENDERS STANDARD PARTS

6675	Oval Head Machine Screw No. 10-32 x 3/8"		14
8030	Stove Bolt 1/2" x 3/8"		6
119	Hex. Head Bolt 1/2"-14 x 3/8"		6
667	Hex. Head Bolt 1/2"-14 x 1/2"		2
396	Castle Nut 1/2"-18 x 1/2"		2
12799	Hex. Nut No. 10-32 x 3/4"		14
110	Hex. Nut 1/2"-14 x 3/8"		8
12612	Footman Loop		12

## REAR FENDERS

18547	Rear Fender—Right (Used on TP only)		1
18550	Rear Fender—Left (Used on TP only)		1
16595	Rear Fender—Right (Used on 4P only)		1
16608	Rear Fender—Left (Used on 4P only)		1
15708	Rear Fender—Right (Used on 10-O and 11-O T. S. only)		1
15711	Rear Fender—Left (Used on 10-O and 11-O T. S. only)		1
20021	Rear Fender—R. H. (Used on 11-O T. S. only)		1
20022	Rear Fender—L. H. (Used on 11-O T. S. only)		1
18645	Rear Fender—Right (Used on 4C and R. L. only)		1
19361	Rear Fender—Left (Used on 4C and R. L. only)		1
19449	Rear Fender—Right (Used on T. L. only)		1
19604	Rear Fender—Left (Used on T. L. only)		1
20039	Rear Fender—R. H. (Used on L. only)		1
20031	Rear Fender—L. H. (Used on L. only)		1
15286	Rear Fender Filler Strip Long (Used on 4C and R. L. only)		2
13287	Rear Fender Filler Strip Short (Used on 4C and R. L. only)		2
15385	Rear Fender to Splash Guard Moulding—Right (Used on TP L. and T. S. only)		1
15386	Rear Fender to Splash Guard Moulding—Left (Used on TP R. and T. S. only)		1
15654	Rear Fender to Splash Guard Moulding—Right (Used on 4P and T. L. only)		1
15655	Rear Fender to Splash Guard Moulding—Left (Used on 4P and T. L. only)		1

## REAR FENDER STANDARD PARTS

Part No.	NAME OF PARTS	Illustration No.	No. Req.
1119	Hex. Head Bolt $\frac{3}{8}$ "-16 $\frac{1}{2}$ " (4 used on T.S. 4 on 4C. and R.L.)	.....	4
12275	Hex. Head Cap Screw $\frac{5}{8}$ "-18 x 1"	.....	20
1119	Hex. Nut $\frac{3}{8}$ "-16 $\frac{1}{2}$ " (4 used on T.S., 14 on 4C., 12 on 4C.B. and C.B.)	.....	14
10012	Hex. Head Cap Screw $\frac{5}{8}$ "-18 x 1 $\frac{1}{2}$ " (Used on 4P. and T.L. only)	.....	2
1409	Lag Screw $\frac{5}{8}$ "-14 $\frac{1}{2}$ "-20 $\frac{1}{2}$ " (Used on TP only)	.....	6
0675	Oral Head Machine Screw No. 18-22 x $\frac{3}{8}$ " (Used on 4C. and R.L. only)	.....	8
0680	Stove Bolt $\frac{5}{8}$ "-18 x $\frac{3}{8}$ " (Used on 4C., R. L. and C.B. only)	.....	8
00	Hex. Head Bolt $\frac{3}{8}$ "-16 x 1 $\frac{1}{2}$ " (Used on 4C. and Lim. only)	.....	4
12799	Hex. Nut No. 10-12 x $\frac{3}{8}$ "	.....	16
89	Stove Bolt $\frac{5}{8}$ " x $\frac{3}{8}$ " (Used on 4P. and T.L. only)	.....	15

## SOD PAN

Used on all models except where noted

18000	Sod Pan Assembly—Left (Includes 8703 riveted to Sod Pan)	.....	1
18001	Sod Pan—Left	.....	1
18709	Sod Pan—Right	.....	1
7020	Sod Pan Slotted Head Cap Screw $\frac{5}{8}$ "-18 x $\frac{3}{8}$ "	.....	8
1448	Sod Pan Button Head Stove Bolt $\frac{5}{8}$ x $\frac{3}{8}$ "	.....	15
18708	Sod Pan—Front	.....	1
80	Sod Pan Front Button Head Stove Bolt $\frac{5}{8}$ x $\frac{3}{8}$ "	.....	4
8703	Throttle Control Spring Clip	.....	1

## RUNNING BOARD

Used on all models except where noted

13370	Running Board Complete—Right (Includes 12370, 12374, 5623, 12378, 4958)	.....	1
13371	Running Board Complete—Left (Includes 12370, 12372, 5623, 12378, 4958)	.....	1
10651	Running Board and Step Plate Complete—Right (Used on T.S. only) (Includes 12370, 12372)	.....	1
10652	Running Board and Step Plate Complete—Left (Used on T.S. only) (Includes 12371, 12372)	.....	1
14484	Running Board and Step Plate Complete—Right (Used on R.L. and 4C. only)	.....	1
14485	Running Board and Step Plate Complete—Left (Used on R.L. and 4C. only)	.....	1
16545	Running Board and Step Plate Complete—Right (Used on T.L.) (Includes 12370, 12372)	.....	1
16546	Running Board and Step Plate Complete—Left (Used on T.L.) (Includes 12371, 12372)	.....	1
20394	Running Board and Step Plate Complete—Right Hand (Used on L. only)	.....	1
20395	Running Board and Step Plate Complete—Left Hand (Used on L. only)	.....	1
13610	Running Board $\frac{3}{8}$ x $\frac{3}{8}$ Square Head Machine Bolt and Nut	.....	16
13379	Running Board Linoleum—Right	.....	1
13380	Running Board Linoleum—Left	.....	1
13376	Running Board Outer Moulding—Right	.....	1
13377	Running Board Outer Moulding—Left	.....	1
12292	Running Board Outer Moulding Split Rivet	.....	18
13378	Running Board Inner Moulding	.....	2
12293	Running Board Inner Moulding Split Rivet	.....	16
14486	Running Board Step Plate (Used on T.S., T.L., R.L. and C.B.)	.....	4
12292	Running Board Step Plate Split Rivet $\frac{3}{8}$ x $\frac{3}{8}$ "	.....	24

## SPLASH GUARDS

Used on all models except where noted

10207	Splash Guard Assembly—Right	.....	1
10208	Splash Guard Assembly—Left	.....	1
908	Splash Guard Cap Screw $\frac{5}{8}$ "-18 x $\frac{3}{8}$ "	.....	4
122	Splash Guard Cap Screw Nut $\frac{5}{8}$ "-18 x $\frac{3}{8}$ "	.....	4

## COWL INSTRUMENTS

Speedometer, see pages 21-24.  
 Carburetor Air Control, see pages 21-22.  
 Gasoline Primer, see page 24.  
 Hand Vacuum Pump, see page 23.

10294	Oil Pressure Gauge	.....	1
12165	Oil Pressure Gauge Nut No. 14-24	.....	2
12277	Oil Pressure Gauge Machine Screw No. 8-32	.....	2
13522	Oil Pressure Gauge Clamp Strap	.....	1
13528	Oil Pressure Gauge Bracket	.....	1
13929	Oil Pressure Gauge Glass	.....	1
13930	Oil Pressure Gauge Gasket	.....	4
14950	Oil Pressure Gauge Paper Gasket	.....	1
18050	Instrument Lamp Assembly (Used on Models 10-0 and 11-0)	.....	1

## COWL INSTRUMENTS—Continued

Part No.	NAME OF PARTS	Illustration No.	No. Req'd.
12586	Instrument Lamp Assembly (Used on Model 12-C)		1
12587	Instrument Lamp Shield		1
12718	Instrument Lamp Bulb Socket		1
8023	Instrument Lamp Bulb 1 1/2 V-2 C.P., 24 Amp. style G-6 Edison Base		1
18100	Instrument Lamp Bulb 4-8 V-2 C.P., 42 Amp. G-6 Edison Base (Used on Model 12-C)		1
12127	Button Head Machine Screw No. 8-32 x 3/8"		1
12790	Hex. Nut No. 8-32 x 3/8"		1

## BODY (7 P.)

19071	Body Complete		1
17693	Front Door Complete—Right (Includes Fastening, Trimming, Hinges, Latch and Handle)	1420	1
17694	Front Door Complete—Left (Includes Fastening, Trimming, Hinges, Latch and Handle)	1421	1
17695	Rear Door Complete—Right (Includes Fastening, Trimming, Hinges, Latch and Handle)	1422	1
17696	Rear Door Complete—Left (Includes Fastening, Trimming, Hinges, Latch and Handle)	1423	1
17677	Door Hinge Assembly—Upper Right		1
17678	Door Hinge Assembly—Upper Left		1
17679	Door Hinge Assembly—Lower Right		1
17680	Door Hinge Assembly—Lower Left		1
17681	Door Hinge—Upper Right, Body Half		1
17682	Door Hinge—Upper Left, Body Half		1
17683	Door Hinge—Lower Right, Door Half		1
17684	Door Hinge—Lower Left, Door Half		1
17685	Door Hinge—Lower Right, Body Half		1
17686	Door Hinge—Lower Left, Body Half		1
17687	Door Hinge—Lower Right, Door Half		1
17688	Door Hinge—Lower Left, Door Half		1
12956	Door Hinge Flat Head Stove Bolt 5/8" x 2"		1
12955	Door Hinge Pin		1
11139	Door Latch Assembly—Right		1
11440	Door Latch Assembly—Left		1
30081	Door Latch Handle Assembly—Front Left, Rear Right	1424	1
30082	Door Latch Handle Assembly—Front Right, Rear Left	1425	1
13803	Door Latch Handle		1
13804	Door Latch Handle Screw		1
15850	Door Latch Handle Plate		1
15851	Door Latch Handle Spring—Front Right and Rear Left		1
15852	Door Latch Handle Spring—Front Left and Rear Right		1
16043	Door Collins Curtain Standard Socket	1426	1
16044	Door Collins Curtain Standard Socket Plate		1
16049	Collins Curtain Standard—Front		1
16081	Collins Curtain Standard—Rear		1
15201	Door Latch Striker Plate	1427	1
20667	Door Stop Assembly—Front		1
20668	Door Stop Assembly—Rear		1
15713	Door Strip Fastener Loop		1
11328	Door Rubber Bumper	1428	1
11375	Door Arm-Handle Catch	1429	1
11376	Door Arm-Handle Flinger	1430	1
19977	Front Seat Cushion Complete		1
17396	Rear Seat Cushion Complete		1
19978	Front Seat Cushion Spring		1
16778	Rear Seat Cushion Spring		1
16781	Front Seat Back Spring		1
16780	Rear Seat Back Spring		1
16417	Front Seat Cushion Retainer	1443	1
16664	Rear Seat Cushion Retainer		1
12042	Rear Seat Cushion Left Tie Rod Fastener Socket		1
12047	Rear Seat Cushion Right Tie Rod Fastener Socket		1
19101	Tonnex Floor Carpet	1444	1
4269	Tonnex Floor Carpet Glove Fastener Socket		19
12223	Tonnex Floor Carpet Glove Fastener Socket Clinch Ring		19
12222	Tonnex Floor Carpet Glove Fastener Button, Washer and Screw		19
21450	Front Floor Mat	1445	1
30016	Robe Hanger Complete		1
12393	Robe Hanger No. 14-29 x 1 1/2" Oval Head Machine Screws		4
18649	Robe Hanger No. 14-29 x 1 1/2" Oval Head Machine Screws		4
20030	Foot Rest Assembly	1446	1
17701	Windshield Anchor Bracket—Right		1
17702	Windshield Anchor Bracket—Left		1
12011	Windshield Anchor Bracket Carriage Bolt 3/4" x 2"		1
17569	Body Pillar Iron—Front		1
17637	Body Pillar Iron—Rear Right		1
17638	Body Pillar Iron—Rear Left		1
12073	Body Pillar Iron—Rear 5/8"-13 x 2" Flat Head Stove Bolt		1
17661	Body Top Iron—Rear Right		1



## BODY (7 P.)—Continued

Part No.	NAME OF PARTS	Sheet No.	No. of Pcs.
17062	Body Top Iron—Rear Left		1
17063	Body Top Iron—Front Right		1
17067	Body Top Iron—Front Left		1
11191	Body Top Iron Collar		2
14032	Dash		1
15540	Dash Ribster		1
12188	Dash Sillener $\frac{1}{2}$ x $1\frac{1}{2}$ " Carriage Bolt		6
19442	Dash Bonnet Hinge Support Plate and Radiator Tie Rod Socket		1
17715	Dash Bonnet Ledge Filler Strip	1447	2
4508	Dash Bonnet Ledge Filler Strip Countersunk Head Split Rivet No. $\frac{1}{8}$ x $\frac{1}{2}$ "		24
12618	Dash Bonnet Hinge Support $\frac{1}{2}$ -24 x $\frac{1}{2}$ " Hex Head Bolt		1
14062	Canadian License Plate		1
20985	Oil Pressure Tube Dash Ferrule		1
18617	Oil Pressure Tube Dash Ferrule		1
18627	Cowl Apron		1
12104	Cowl Apron Cap Screw $\frac{1}{2}$ -18 x $\frac{1}{2}$ " Button Head		1
122	Cowl Apron Hex. Nut $\frac{1}{2}$ -18 x $\frac{1}{2}$ "		4
17765	Cowl Apron Support—Right		1
17766	Cowl Apron Support—Left		1
12649	Cowl Apron Support Carriage Bolt $\frac{1}{2}$ -24 x $\frac{1}{2}$ "		1
19499	Steering Gear Cowl Reinforcement		1
15543	Top Rear Strap Body Eye Bolt		2
272	Top Rear Strap Body Eye Bolt Hex. Nut $\frac{1}{4}$ -20 x $\frac{1}{2}$ "—U.S.S.		2
15186	Scuff Plate—Front	1443	6
19087	Scuff Plate—Rear	1443A	2
8085	Scuff Plate No. 6 x $\frac{1}{2}$ " Oval Head Wood Screw		16
15643	Front Seat Tool Tray		1
14328	Rear Seat Tray		1
20649	Car Number Plate		1
18108	Oil Can Holder		1
18423	Oil Can Holder Button Head Stove Bolt $\frac{1}{2}$ " x $1\frac{1}{2}$ "		2
12319	Body to Frame Bolt $\frac{1}{2}$ -14 x 2"		2
12320	Body to Frame Bolt $\frac{1}{2}$ -14 x $2\frac{1}{2}$ "—U.S.S. Carriage Bolt		6
18026	Body to Frame Bolt $\frac{1}{2}$ -14 x 6"—U.S.S. Carriage Bolt		2
12324	Body to Frame Bolt $\frac{1}{2}$ -14 x $2\frac{1}{2}$ "—U.S.S. Carriage Bolt		2
12327	Body to Frame Bolt $\frac{1}{2}$ -14 x 3"—U.S.S. Carriage Bolt		2
18476	Body to Frame Strap—Thick		12
15477	Body to Frame Strap—Thin		6
20975	Auxiliary Seat Complete	1449	2
20976	Auxiliary Seat Back Complete		2
20977	Auxiliary Seat Base Complete	1450	2
20980	Auxiliary Seat Leg Assembly—Right		2
20981	Auxiliary Seat Leg Assembly—Left		2
20986	Auxiliary Seat Body Bracket—Right		2
20987	Auxiliary Seat Body Bracket—Left		2
20985	Auxiliary Seat Back Bolt		4
20988	Auxiliary Seat Pivot Pin		4

## BODY (4 P.)

18372	Body Complete		1
17697	Front Door Complete—Right (Includes Painting, Trimming, Hinges, Latch & Handle)	1451	1
17698	Front Door Complete—Left (Includes Painting, Trimming, Hinges, Latch & Handle)	1452	1
17699	Rear Door Complete—Right (Includes Painting, Trimming, Hinges, Latch & Handle)	1453	1
17700	Rear Door Complete—Left (Includes Painting, Trimming, Hinges, Latch & Handle)	1454	1
17677	Door Hinge Assembly—Upper Right		2
17678	Door Hinge Assembly—Upper Left		2
17679	Door Hinge Assembly—Lower Right		2
17680	Door Hinge Assembly—Lower Left		2
17681	Door Hinge—Upper Right—Body Half		2
17682	Door Hinge—Upper Left—Body Half		2
17683	Door Hinge—Upper Right—Door Half		2
17684	Door Hinge—Upper Left—Door Half		2
17685	Door Hinge—Lower Right—Body Half		2
17686	Door Hinge—Lower Left—Body Half		2
17687	Door Hinge—Lower Right—Door Half		2
17688	Door Hinge—Lower Left—Door Half		2
12856	Door Hinge Pin Head Stove Bolt $\frac{1}{2}$ " x 2"		4
12855	Door Hinge Pin Head Stove Bolt $\frac{1}{2}$ " x 2"		4
17689	Door Hinge Pin		2
17692	Door Latch Assembly—Right		2
17693	Door Latch Assembly—Left		2
16388	Door Latch Outside Handle	1455	4
17432	Collins Curtain Standard—Front Door		2
15761	Collins Curtain Standard—Rear Door		2
16655	Collins Curtain Standard Socket	1456	4
16656	Collins Curtain Standard Socket Plate		4
15061	Door Latch Striker Plate	1457	4
20667	Door Stop Complete—Front		1
20668	Door Stop Complete—Rear		1
15745	Door Stop Footman Loop		1

## BODY (4 P.)—Continued

Part	NAME OF PART	Illustration No.	No. Req.
11336	Door Rubber Bumper	1458	4
11370	Door Anti-Rattle Catch	1458	4
11371	Door Anti-Rattle Plug	1459	4
11427	Front Seat Cushion Complete	1461	1
11628	Rear Seat Cushion Complete	1461	1
11624	Front Seat Cushion Spring	1462	1
11623	Rear Seat Cushion Spring	1462	1
11625	Front Seat Back Spring	1462	1
11626	Rear Seat Back Spring	1462	1
10906	Front Seat Cushion Retainer	1463	1
10784	Rear Seat Cushion Retainer	1463	1
12322	Left-the-Dot Fastener Socket	1463	2
12347	Left-the-Dot Fastener Socket Plate	1463	2
19105	Tonneau Floor Carpet	1463	1
4969	Tonneau Floor Carpet Glove Fastener Socket	1463	2
12221	Tonneau Floor Carpet Glove Fastener Socket Clutch Ring	1463	1
12523	Tonneau Floor Carpet Glove Fastener Button, Washer and Screw	1464	1
21451	Front Floor Mat	1464	1
20017	Hohe Hanger Complete	1465	1
12283	Hohe Hanger Oval Head Machine Screw No. 14-26 x 1 1/2"	1465	1
18040	Hohe Hanger No. 14-26 x 2" Oval Head Machine Screw	1465	4
15474	Tonneau Foot Rest Complete	1466	1
15488	Tonneau Foot Rest Side Carpet—Right	1466	2
15490	Tonneau Foot Rest Side Carpet—Left	1466	2
15486	Tonneau Foot Rest Carpet Top	1466	1
15723	Tonneau Foot Rest Door Flush Ring	1466	1
17703	Windshield Anchor Bracket—Right	1467	1
17704	Windshield Anchor Bracket—Left	1467	1
12321	Windshield Anchor Bracket Carriage Bolt 1/4" x 2"	1467	2
17659	Body Pillar Iron—Rear Right	1467	2
17660	Body Pillar Iron—Rear Left	1467	2
17663	Body Top Iron—Rear Right	1467	2
17660	Body Top Iron—Rear Left	1467	2
17667	Body Top Iron—Front Right	1467	2
17668	Body Top Iron—Front Left	1467	2
14491	Body Top Iron Collar	1467	1
14022	Dash	1467	1
14674	Dash Silencer	1467	1
12198	Dash Silencer Carriage Bolt 1/4" x 1 1/2"	1467	2
13442	Dash Bonnet Hinge Support Plate and Radiator Tie Rod Socket	1467	1
17715	Dash Bonnet Ledge Filler Strip	1467	1
4908	Dash Bonnet Ledge Filler Counterwank Head Split Rivet	1467	2
13618	Dash Bonnet Hinge Support	1467	1
4062	Dash Bonnet Hinge Support Hex. Head Bolt 3/4"-24 x 3/4"	1467	2
20985	Canadian License Plate	1467	1
13617	Oil Pressure Tube Leak Fitting	1467	1
18027	Cowl Apron	1467	1
12106	Cowl Apron Cap Screws 5/16"-18 x 3/4" Button Head	1467	1
122	Cowl Apron Hex. Nut 5/16"-18 x 3/4"	1467	1
15533	Cowl Apron Stone Bolt 1/4" x 3/4"	1467	4
17107	Cowl Apron Support—Right	1467	4
17708	Cowl Apron Support—Left	1467	2
18761	Cowl Apron Support Carriage Bolt 1/4"-20 x 1 1/2"	1467	2
19499	Steering Gear Cowl Reinforcement	1467	1
18522	Steering Gear Cowl Reinforcement Bolt	1467	4
17469	Top Rear Strap Body Eye Bolt	1467	1
272	Top Rear Strap Body Eye Bolt Hex. Nut 1/2"-28 x 1/4" U.S.S.	1467	1
19986	Scuff Plate—Front	1467	1
19990	Scuff Plate—Rear	1467	1
13476	Front Seat Tool Tray	1467	1
20849	Car Number Plate	1467	1
13198	Oil Can Holder	1467	1
11623	Oil Can Holder Base Head Hex. Bolt 5/8" x 1 1/2"	1467	1
12318	Body to Frame Bolt 5/8"-14 x 2 1/4" U.S.S. Carriage Bolt	1467	4
13230	Body to Frame Bolt 5/8"-14 x 2 1/4" U.S.S. Carriage Bolt	1467	2
18006	Body to Frame Bolt 5/8"-14 x 2" U.S.S. Carriage Bolt	1467	2
12027	Body to Frame Bolt 5/8"-14 x 1 1/2" U.S.S. Carriage Bolt	1467	17
13174	Body to Frame Bolt—Thin	1467	4
13477	Body to Frame Bolt—Thin	1467	4
16049	Battery Box Support	1467	1
18097	Battery Box Support Carriage Bolt 5/8" x 2"	1467	4

## TOE PLATE

Used on all models except 4 P

13480	The Plate Complete (Includes 13481, 13482)	1
13481	The Plate Assembly	1
13482	The Plate Trap Door Assembly	1
13486	The Plate Speedometer Shaft Bracket	1
8306	The Plate Speedometer Shaft Bracket Cap Screw 3/4"-26 x 1 1/4" U.S.S.	2

## TOP (7 P.—PANTASOTE—BLACK)—Continued

Part No.	NAME OF PARTS	Illustration No.	No. of Pieces
20712	Top Bow Socket and Curtain Fastener Assembly—Right		1
20714	Top Bow Socket and Curtain Fastener Assembly—Left		1
4978	Top Bow Socket No. 8—11 x 1/4" Curtain Fastener Post		8
18084	Top Bow Socket Glove Fastener Button and Drive Screw		12
12204	Top Bow Socket Lift-the-Dot Fastener Post—Single Screw Type		1
21057	Top Bow Socket No. 1—Right	1478	2
21058	Top Bow Socket No. 1—Left	1479	1
20719	Top Bow Socket No. 2	1480	2
20694	Top Bow Socket No. 2—Lower Fitting		2
20721	Top Bow Socket No. 2—Right	1482	2
20722	Top Bow Socket No. 2—Left	1483	1
20703	No. 3 Bow Socket Link Hinge Bracket R. H.		2
20697	No. 3 Bow Socket Link Hinge Bracket L. H.		2
20698	No. 3 Bow Socket Latch		2
20158	Top Bow Socket No. 4—Right	1484	2
20159	Top Bow Socket No. 4—Left	1486	1
21050	Bow Socket Link—Right	1487	1
21059	Bow Socket Link—Left	1488	1
20694	Bow Socket Link Hinge Bracket	1489	2
20717	Bow Socket Rear Hitch Link	1492	2
20718	Bow Socket Rear Hitch Link	1492	2
21004	Top Bow Holder Complete	1494	2
17748	Top Bow Holder Locking Stud		2
17747	Top Bow Holder Locking Stud Nut		2
11884	Top Trip Nut	1495	2
18727	Top Bow Socket Rivet Rubber Cap		2
4929	Top Bow Socket Curtain Fastener Button Head Machine Screw No. 8—12 x 1/4"		4

## TOP (4 P.—PANTASOTE—BLACK)

20201	Top Complete (With Curtains)		1
20129	Top Assembly (Less Curtains)		1
20316	Top Collina Curtain—Front Right		1
20318	Top Collina Curtain—Front Left		1
20320	Top Collina Curtain—Center Right		1
20322	Top Collina Curtain—Center Left		1
20324	Top Collina Curtain—Rear Right		1
20326	Top Collina Curtain—Rear Left		1
20309	Front Curtains—Light		2
20311	Front Middle Curtain—Light—Upper		2
20312	Front Middle Curtain—Light—Lower		2
20313	Rear Middle Curtain—Light		2
20315	Rear Side Curtain—Light		2
20314	Rear Side Curtain—Light—Rear		2
20207	Back Curtain Light		3
12242	Top Collina Curtain Lift-the-Dot Fastener Socket		54
12245	Top Collina Curtain Lift-the-Dot Fastener Post Single Click Type		12
12246	Top Collina Curtain Lift-the-Dot Fastener Post		10
12247	Top Collina Curtain Lift-the-Dot Fastener Socket Plate		14
12248	Top Collina Curtain Lift-the-Dot Fastener Socket		14
12250	Top Collina Curtain Glove Fastener Socket Cap		14
12850	Top Collina Curtain No. 2 Grommet and Washer		4
15749	Top Collina Curtain Rod—Front		2
15748	Top Collina Curtain Rod—Rear		2
15738	Curtain Envelope—Front		1
15820	Top Curtain Envelope—Center		1
17749	Top Curtain Envelope—Rear		1
17064	Top Dust Cover		1
4981	Top Dust Cover Glove Fastener Button		8
12022	Top Dust Cover Glove Fastener Button Face		8
12043	Top Dust Cover Glove Fastener Socket		8
12050	Top Dust Cover Glove Fastener Socket Cap		8
12042	Top Dust Cover Glove Fastener Socket		8
12241	Top Dust Cover Lift-the-Dot Fastener Socket Plate		14
13017	Top Dust Cover Strap—Lower		2
13018	Top Dust Cover Strap—Upper		2
13009	Top Rear Strap	1580	2
15544	Top Rear Strap Bolt Cap		2
17545	Top Support Bracket Assembly		2
17546	Top Support Bracket	1501	2
9995	Top Support Bracket Bolt		4
18054	Top Support Bracket Bolt Access Nut 1/4"-20 x 1/4" U.S.S.		4
15486	Top Support Adjusting Bracket		2
12490	Top Support Adjusting Bracket Hex. Check Nut 1/4"-20 x 1/4"		2
15486	Top Support Wing Bolt Assembly	1502	2
17315	No. 1 Top Bow	1503	1
17316	No. 2 Top Bow	1504	1
17354	No. 3 Top Bow	1505	1
17358	No. 4 Top Bow Assembly (Includes 17545)	1506	1
17359	No. 4 Top Bow		1
17549	No. 4 Top Bow Reinforcement		1

## TOP (4 P.—PANTASOTE—BLACK)—Continued

Part No.	NAME OF PART	Illustr. No.	No. Per
20703	Top Body Socket and Curtain Fastener Assembly—Right		1
20706	Top Bow Socket and Curtain Fastener Assembly—Left		1
20689	Top Bow Socket No. 1—Right	1547	1
20690	Top Bow Socket No. 1—Left	1548	1
20691	Top Bow Socket No. 2	1549	1
20694	Top Bow Socket No. 2—Lower Flange		1
20695	Top Bow Socket No. 3—Right	1551	1
20696	Top Bow Socket No. 3—Left	1552	1
20708	Top Bow Socket No. 1 Link Hinge Bracket R.H.		1
20697	Top Bow Socket Link Hinge Bracket L.H.		1
20698	Top Bow Socket No. 1 Latch	1553	1
20721	Top Bow Socket No. 2—Right	1554	1
20720	Top Bow Socket No. 4—Left	1555	1
21026	Top Bow Socket Link—Right		1
21027	Top Bow Socket Link—Left		1
20694	Top Bow Socket Link Hinge Bracket	1550	2
20726	Top Bow Socket Front Hitch Link	1557	1
20700	Top Bow Socket Rear Hitch Link	1558	1
21404	Top Bow Holder Complete	1559	1
17248	Top Bow Holder Locking Stud		1
17247	Top Bow Holder Locking Stud Nut		1
21884	Top Prop Nut	1556	1
19727	Top		1
4909	Top Bow Socket Button Hood Machine Screw		6
4951	Top Bow Socket Slote Fastener Button		4
4978	Top Bow Socket Curtain Fastener Post No. 3-11 x 5/8"		12
12023	Top Slits Fastener Button Washer and Spring		18
12024	Top Left-cha-Dot Fastener Post—Single Screw Type		5
12025	Top Left-cha-Dot Fastener Socket		13
12045	Top Left-cha-Dot Fastener Post—Single Check Type		11
12046	Top Left-cha-Dot Fastener Socket Plate		11
12047	Top Left-cha-Dot Fastener Socket Plate		11

## TIRE BRACKETS

Used on all models except where noted

14009	Body Tire Bracket (Used on 1P and 4P only)		1
12295	Body Tire Bracket Oval Head Cap Screw 5/8"-24 x 4 1/2" (Used on 1P and 4P only)		1
6655	Body Tire Bracket Oval Head Cap Screw Nut 5/8"-18 x 3/4" (Used on 1P and 4P only)		1
10682	Body Tire Bracket Pad Assembly (Used on 1P, 4P, T.S., L., T.H. and 6C only)		1
20320	Body Tire Bracket (Used on 7 L only)		1
12404	Body Tire Bracket Cap Screw 5/8"-18 x 3" (Used on T.S. only)		1
20607	Body Tire Bracket (Used on T.S. and L. only)		1
6658	Body Tire Bracket Cap Screw 5/8"-14 x 3 1/2"		1
14474	Tire Bracket (Used on 6C only)		1
7115	Tire Bracket Hex. Head Bolt 5/8"-14 x 3 1/2" (Used on 6C only)		1
1169	Tire Bracket Cap Screw 5/8"-14 x 3 1/2" (Used on 6C only)		1
17461	Front Tire Bracket Assembly (Used on R.L.)		1
17381	Front Tire Bracket (Used on R.L.)		1
17391	Front Tire Strap		1
17390	Rear Tire Strap		1

## SPARTON HORN

Used on all models except where noted

10315	Sparton Horn and Bracket Assembly		1
10314	Sparton Horn Assembly		1
10316	Sparton Horn Bracket		1
3819	Sparton Horn Bracket Hex. Head Cap Screw 5/8"-14 x 3 1/2"		2

NOTE—If any parts other than those listed above are necessary for repair, please take the number up shown with the Sparto-Washington Company, Jackson, Mich., as we do not furnish other than those listed.

BULL HORN USED ONLY WHEN ORDERED SPECIAL

18997	Bull Horn Assembly		1
18518	Bull Horn Rubber Furrle		1
7463	Horn Bolt		1
19590	Horn Bolt Bracket		1
18526	Bull Horn Bracket—Front		1

## SPARTON HORN—Continued

Part No.	NAME OF PARTS	Illustration No.	No. Req.
13820	Bull Horn Bracket—Heat .....		1
13650	Bull Horn Nipple .....		1
NOTE—The following parts for use only when cars are equipped with both types of Horns.			
16021	Sparton Horn and Bracket Assembly .....		1
13800	Bull and Sparton Horn Bracket .....		1
395	Bull and Sparton Horn Bracket Hex. Head Cap Screw $\frac{5}{8}$ "-18 x $\frac{3}{4}$ " .....		2

## SPEEDOMETER

Stewart-Warner Model 131D

The Hudson Motor Car Company does not carry speedometers or repair parts in stock for domestic shipments and if replacements or repairs are necessary, take the matter up direct with the Stewart-Warner Company or one of their agents. For export shipments see page 34.

## STEWART-WARNER SPEEDOMETER CORPORATION BRANCH OFFICES AND AUTHORIZED SERVICE STATIONS

## CALIFORNIA

Los Angeles, 321 W. Pico St.  
 Fresno, 1937 Merced St.  
 Oakland, 2061 Broadway  
 San Diego, 215 "B" St.  
 San Francisco, 1447 Van Ness Ave.

## COLORADO

Denver, 1316 Arcoma St.

## DISTRICT OF COLUMBIA

Washington, 1119 14th St. N. W.

## CONNECTICUT

Hartford, 25 Wells St.

## FLORIDA

Miami, 261 Avenue "B" North

## GEORGIA

Atlanta, 339 Peachtree St.

## ILLINOIS

Chicago, 1826-32 Diversey Blvd.  
 Chicago, 1312 Michigan Ave.

## INDIANA

Indianapolis, 514 N. Capitol Ave.

## IOWA

Des Moines, 1443-2 Locust St.

## KENTUCKY

Louisville, 945 S. Third St.

## LOUISIANA

New Orleans, 929 La Fayette St.

## MARYLAND

Baltimore, 1117 Cathedral St.

## MASSACHUSETTS

Boston, 1115 Commonwealth Ave.  
 Springfield, 72-74 Broadway

## MICHIGAN

Detroit, 2551 Woodward Ave.  
 Grand Rapids, 112 Michigan St. N. W.

## MINNESOTA

Minneapolis, 1309 Hennepin Ave.

## MISSOURI

Kansas City, 1825 Grand Ave.  
 St. Louis, 3204 Locust St.

## NEBRASKA

Omaha, 2044 Farnam St.  
 Lincoln, 201 So. 11th St.

## NEW JERSEY

Newark, 111 Halsey St.

## NEW YORK

Albany, 328 Central Ave.  
 Brooklyn, 1864 Bedford Ave.  
 Buffalo, 124 Main St.  
 Rochester, 294 East Ave.  
 Syracuse, 514 E. Genesee St.  
 Utica, 212 Genesee St.

## OHIO

Cincinnati, 16-12 Garfield Place  
 Cleveland, 2029 Euclid Ave.  
 Columbus, 173-175 North 4th St.  
 Toledo, 3411-15 Jefferson Ave.

## OREGON

Portland, 323 Ankeny St.

## PENNSYLVANIA

Philadelphia, 641-43 N. Broad St.  
 Harrisburg, 1323-23 Mulberry St.  
 Pittsburg, 5940 Baum Blvd.  
 Scranton, 125 Franklin Ave.

## RHODE ISLAND

Providence, 121 Fountain St.

## TENNESSEE

Memphis, 241 Monroe Ave.

## TEXAS

Dallas, 1920-1922 Commerce St.  
 El Paso, Montana & Florence St.  
 San Antonio, 236 Ave. "C"

## UTAH

Salt Lake City, 147 E. First South St.

## VIRGINIA

Norfolk, 1905 Brambleton Ave.  
 Richmond, 219 N. Adams St.

## WASHINGTON

Seattle, 910 E. Pike St.  
 Spokane, 1323 W. First Ave.  
 Tacoma, 717-719 Broadway

## WISCONSIN

Milwaukee, 592-594 Jefferson St.

CANADIAN SERVICE STATIONS  
CANADA

## ALBERTA

Calgary, 607 First St., West

## BRITISH COLUMBIA

Vancouver, 516-518 Howe St.

## MANITOWA

Winnipeg, 611 Portage Ave.

## ONTARIO

Toronto, 456 Young St.

## QUEBEC

Montreal, Dowd & Bieary Sts.

## FOREIGN

## AUSTRALIA

Melbourne, 488 Collins St.  
 Sydney, 173-175 Sussex St.

## BELGIUM

Brussels, 10 Rue du Page

## CHINA

Shanghai, 36 Bubbling Well Road

## SPEEDOMETER—Continued

<b>CUBA</b>	HAVANA, Apartado 81, Marino 2	<b>NEW ZEALAND</b>	Wellington, Hope Gibbons Sons & J. B. Clarkson, Ltd.
<b>DENMARK</b>	Copenhagen, Fredericksbolms Kanal 4	<b>PHILIPPINE ISLANDS</b>	Manila, Yanson, Hosenstock & Co., Inc. 343 Calle Basco, Sta Cruz
<b>ENGLAND</b>	London, 11 Broad St., Bloomsbury, W. C.	<b>SOUTH AFRICA</b>	Cape Town, Cape Colony, Arnold & Douglas Inc. Port Elizabeth, Arnold & Douglas Inc.
<b>FRANCE</b>	Paris, 107 Avenue Parmentier	<b>SOUTH AMERICA</b>	Argentine Republic, Buenos Aires, Calle Lima 242
<b>GREECE</b>	Athens, Nico A. Simpekos	<b>SWITZERLAND</b>	Geneva, 19 Rue de la Scie
<b>HOLLAND</b>	Schiedam, West Vest 11	<b>TERRITORY OF HAWAII</b>	Honolulu, Von-Hamm-Young Co., Box 343
<b>INDIA</b>	Bombay, A. Hyland, Hughes Road Madras, Addison & Co.		
<b>JAPAN</b>	Tokyo, Yanase & Co., Gofukubashi, Maruzoshi		

## SPEEDOMETER (For Export Shipment)

Part No.	NAME OF PARTS	Illustration No.	No. Req.
10224	Speedometer Head Assembly (Metric Graduations) Stewart-Warner Model No. 121		1
	Spec		1
10212	Speedometer Shaft		1
10508	Speedometer Propeller Shaft Gear		1
10582	Speedometer Swivel Joint		1
219	Speedometer Swivel Joint Hex. Head Cap Screw $\frac{3}{8}$ "-11 x $\frac{3}{8}$ "—U.S.S.		1
10595	Speedometer Drive Transmission Bracket		1
219	Speedometer Drive Transmission Bracket Hex. Head Cap Screw $\frac{3}{8}$ "-11 x $\frac{3}{8}$ "—U.S.S.		1
10655	Speedometer Drive Pinion 24 Teeth (Used with 880 MM. Tires—4 1/10 to 1 Axle Ratio)		1
11720	Speedometer Drive Pinion 27 Teeth (Used with 880 MM. Tires—4 1/13 to 1 Axle Ratio)		1

## LAMP AND LICENSE TAG BRACKET

Used on all models except where noted

20575	Headlight Tie Bar		1
224	Headlight Tie Rod Hex. Head Bolt $\frac{3}{8}$ "-16 x $1\frac{1}{2}$ "—U.S.P.		2
18635	Tail Light Lamp and License Tag Bracket		1
18650	Tail Light and License Tag Bracket Hex. Head Bolt $\frac{3}{8}$ "-16 x $1\frac{1}{2}$ "		1
304	Tail Light and License Tag Bracket Clip		1
110	Tail Light and License Tag Bracket Hex. Head Bolt Nut $\frac{3}{8}$ "-16 x $\frac{3}{8}$ "		1
20985	Canadian License Plate		1

## LAMPS

Used on all models except where noted

## HEAD LAMPS—Used on Models 10-O and 11-O

20844	Head Lamp Complete		2
20840	Head Lamp Door Complete		2
20845	Head Lamp Door Glass	1525	2
18769	Head Lamp Door (Mirror Glass and Retainer)	1526	2
18767	Head Lamp Door Glass Retainer	1527	2
21812	Head Lamp Parabolic Reflector Complete	1529	2
18470	Head Lamp Parabolic Reflector Connector Complete	1530	2
18698	Head Lamp Bulb 6-8-volt, 15 C.P., 2 1/2 Amp., Style 11, S.C. Base	1531	2
21062	Head Lamp Terminal Complete	1532	2

## HEAD LAMP—Used on Model 12-O

Name as 20844 with the following exceptions

21461	Head Lamp Complete		2
21462	Head Lamp Parabolic Reflector Connector Complete	1532	2
21029	Head Lamp Terminal Complete	1534	2

## TAIL LAMPS—Used on Models 10-O and 11-O

18261	Tail Lamp Complete		1
18708	Tail Lamp Door Complete	1542	1
18769	Tail Lamp Celluloid	1543	1
18770	Tail Lamp Celluloid Retainer		1
14427	Tail Lamp Connector Complete		1
18650	Tail Lamp Shell	1544	1
8023	Tail Lamp Bulb 2 1/2-volt, 2 C.P., 84 Amp., Style G-6 Edison base	1546	1

## LAMPS—Continued

Part No.	NAME OF PARTS	Illustration No.	No. Req.
14073	Tail Lamp Terminal Complete	1547	1
15026	Tail Lamp Cable Connector Shield		1
12120	Tail Lamp Cap Screw Square Nut $\frac{1}{4}$ "-20 x $\frac{1}{4}$ " U.S.S.		2

## TAIL LAMP—Used on Model 12-O

Same as 10201 with the following exceptions:

21379	Tail Lamp Complete		1
18410	Tail Lamp Bolt 5-8 x 3 C.P., 42 Amp., G-4 Edison base		1
21079	Tail Lamp Connector Complete	1548	1
21029	Tail Lamp Terminal Complete	1549	1

## SIDE LAMPS

Special Equipment for T P &amp; P, used when ordered

20173	Side Lamp Assembly—Right		1
20172	Side Lamp Assembly—Left		1
7583	Side Lamp Bulb 7-volt, 4 C.P., 34 Amp., Style G-8 Edison base		2
12847	Side Lamp Oval Head Cap Screw $\frac{1}{2}$ "-20 x 2 1/2" U.S.S.		2
3433	Side Lamp Oval Head Cap Screw Nut $\frac{1}{2}$ "-20 x $\frac{1}{2}$ "		2
1173	Side Lamp Ferrule		2

## PILLAR LAMPS

18731	Side Lamp—Right (Used on 4C, L. and R.L.)		1
18732	Side Lamp—Left (Used on 4C, L. and R.L.)		1
14582	Side Lamp—Right (Used on T.L.)		1
10383	Side Lamp—Left (Used on T.L.)		1
7981	Side Lamp Bulb 7-volt, 4 C.P.—34 Amp., Style G-8 Edison base		2
12101	Side Lamp Round Head Machine Screw No. 6-32 x 4"		6
12103	Side Lamp Oval Head Machine Screw No. 8-32 x 3"		6
15736	Side Lamp Flange (Used on L., T.L.)		2
15737	Side Lamp Wire Terminal (Used on L., T.L., 4C and R.L.)		2
15738	Side Lamp Wire Terminal Connector (Used on L., T.L., 4C and R.L.)		2
15739	Side Lamp Wire Terminal Screw (Used on L., T.L., 4C and R.L.)		2
15740	Side Lamp Wire Terminal Insulator (Used on L., T.L., 4C and R.L.)		2

## TOOLS

11212	Tool Kit (Includes Tools in Duck Bag only)		1
6865	Valve Lifting Tool		1
2020	Valve Tappet Wrench		2
2071	Valve Tappet Adjusting Screw Wrench		1
3873	Valve Tappet Adjusting Screw Wrench		1
13080	Spark Plug and Oil Reservoir Drain Plug Wrench		1
9870	Exhaust Manifold Packing Nut, Piston and Differential Bearing Adjusting Nut Wrench		1
13086	Crack Case Main Bearing Bolt and Fly Wheel Oil Plug Wrench		1
8072	Water Pump Stuffing Nut Wrench		1
15370	Radiator Drain Plug Wrench		1
13087	Rear Axle Wheel Bearing Retainer and Hub Cap Wrench		1
13033	Rear Axle Piston Shaft Bearing Cage Adjusting Wrench		1
20004	Oil Reservoir to Crank Case Drain Wrench		1
20090	Wheel Rim Lock Tool		1
11074	Wheel Puller		1
12409	Wheel Puller Screw $\frac{1}{2}$ "-14 x 1 1/2"		1
12741	Battery Generator and Distributor Wrench		1
7103	Jack		1
15060	Tire Pump		1
20053	Tire Repair Kit		1
20997	Demountable Rim Nut Wrench		1
18209	Wire Wheel Puller Assembly (For Hook Wire Wheels only)		1
14034	Wire Wheel Puller (For Hook Wire Wheels only)		1
12518	Wire Wheel Puller Screw		1
20990	Wire Wheel Hub Cap Wrench (For Hook Wire Wheels only)		1
12543	Wire Wheel Cleaning Brush		1
7409	Front Axle Spindle Wrench (For Wire Wheels only)		1
16018	Wire Wheel Spoke Nipple Wrench (For Hook Wire Wheels only)		1

## BATTERY SUSPENSION

Used on all models except where noted

13206	Storage Battery Suspension Strap Complete (Used on 7P, T.B., T.L., L., 4C)		1
132	Storage Battery Anchor Nut $\frac{1}{2}$ "-18 x $\frac{1}{2}$ "		2
13209	Storage Battery Tray Complete (Used on 4P)		1

## BATTERY SUSPENSION—Continued

Part	NAME OF PARTS	Illustration No.	No. Req.
110	Storage Battery Tray Bolt $\frac{3}{8}$ "-16 x $\frac{3}{8}$ " U.S.S. Hex. Head (Used on 4P. only) .....		1
110	Storage Battery Tray Bolt Hex. Nut $\frac{3}{8}$ "-16 x $\frac{3}{8}$ " (Used on 4P. only) .....		1
11109	Storage Battery Anchor Clip—Front .....		1
11109	Storage Battery Anchor Clip—Rear .....		1

## WIRING

Used on all models except where noted

10008	Cable Tube and Wires Assembly .....		1
12241	Cable Tube .....		1
12242	Cable Tube Clip .....		2
395	Cable Tube Hex. Head Cap Screw $\frac{1}{2}$ "-18 No. 1 .....		2
19180	High Tension Cable, Distributor to Ignition Coil (Includes 17945 Terminal) .....	1550	1
19181	High Tension Cable, Distributor to Cylinder No. 1 (Includes 17945 Terminal) .....	1551	1
19182	High Tension Cable, Distributor to Cylinder No. 2 (Includes 17945 Terminal) .....	1552	1
19183	High Tension Cable, Distributor to Cylinder No. 3 (Includes 17945 Terminal) .....	1553	1
19184	High Tension Cable, Distributor to Cylinder No. 4 (Includes 17945 Terminal) .....	1554	1
19185	High Tension Cable, Distributor to Cylinder No. 5 (Includes 17945 Terminal) .....	1555	1
19186	High Tension Cable, Distributor to Cylinder No. 6 (Includes 17945 Terminal) .....	1556	1
14207	Headlight Cable Assembly (Headlights to Junction Post) .....	1557	1
14208	Wire Tail Light to Junction Post (Includes 23174 Terminal) .....	1558	1
19030	Wire Switch Terminal to Generator (Includes Del. 23143, Del. 24992 and Del. 23374) .....	1559	1
19047	Wire Switch Terminal to Junction Post (Includes Del. 23174 and 4923) .....	1560	1
19048	Wire Switch Terminal to Cowl Lamp (Includes Del. 23174) .....	1561	1
19049	Wire Switch Terminal to Generator (Includes Del. 23146, Del. 23526 and Del. 23374) .....	1562	1
19051	Wire Switch Terminal to Ignition Coil (Includes Del. 23261, Del. 23165 and Del. 23141) .....	1563	1
19052	Wire Switch Terminal to Ammeter (Includes Del. 23174) .....	1564	1
21594	Wire Junction Post to Horn (Includes 19513 and Del. 23174) .....	1565	1
19073	Wire Switch Terminal No. 7 to Junction Post (Includes 8933 and Del. 23374) .....	1567	1
19058	Wire Ammeter to Generator (Includes Del. 23166 and Del. 25626) .....	1568	1
14200	Wire Coil to Distributor Head (Includes Del. 23261, Del. 23165 and Del. 23374) .....	1569	1
14208	Wire Cowl Lamp to Junction Post (Includes 4923) .....	1570	1
21591	Wire Steering Gear to Horn (Includes 19513) .....	1571	1
19059	Side Lamp Cable Assembly (Used with Side Lamps when ordered on 7P. and 4P. only) .....		1
16745	Storage Battery to Generator Conduit and Wires Assembly .....	1572	1
14983	Storage Battery to Generator Conduit Assembly .....		1
16786	Storage Battery Ground Assembly (Used on all models except T.S.) .....	1573	1
19054	Storage Battery Ground Assembly (Used on T.S. only) .....		1

## JUNCTION POST

Used on all models except where noted

16024	Lighting Junction Post Assembly .....		1
9032	Junction Post Clip Terminal Plate .....		1
12849	Junction Post Round Head Machine Screw No. 8-32 x 1" .....		2
4545	Junction Post Round Head Machine Screw Nut No. 8-32 x $\frac{1}{2}$ " .....		2
8102	Junction Post Button Head Store Bolt .....		2

## TERMINALS, CLIPS AND FERRULES

Del-20374	Straight Spade Terminal (Used on Wires 14208, 14250, 14285, 14504, 14507, 19839, 19946, 19947, 19948, 19949, 19950, 19951, 19952, 19975, 19976) .....		16
Del-20520	Straight Spade Terminal Clip—Large (Used on Wires 19946, 19951) .....		2
Del-20990	Right Angle Spring Terminal Clip—Large (Used on Wires 19976, 19978) .....		2
Del-20997	Straight Spade Terminal Clip (Used on Wires 19950) .....		2
Del-20361	Straight Spade Terminal Clip—Small (Used on Wires 14208, 19933, 19934, 19935, 19936, 19937, 19938, 19939, 19940, 19941, 19942, 19943, 19944, 19945, 19946, 19947, 19948, 19949, 19950, 19951, 19952, 19975, 19976) .....		2
17985	Spark Plug Terminal (Used on Wires 19170, 19121, 19122, 19123, 19124, 19125, 19126) .....		2
Del-20365	Straight Spade Terminal Clip Ferrule—Small (Used on Wires 14250, 19950, 19951) .....		2
Del-20366	Spade Terminal Clip Ferrule—Large (Used on Wires 19946 and 19951) .....		2
Del-20528	Clip (Used on Wires 14259, 14260, 19951) .....		2
8043	Right Angle Spring Terminal Clip (Used on Wires 14258, 19947 and 20424) .....		4
10512	No. 6 Cable Terminal Clip .....		2
11443	$\frac{3}{8}$ " Conduit Closed Clip .....		2
13728	Lighting Wire Splice Clip .....		2
13729	Lighting Cable and Gasoline Tube Clip .....		4
13730	Dash Wire Clip .....		4
13732	Lighting Cable Clip .....		2
13909	Dash Renamer Wiring Clip .....		5
14054	Horn Cable Clip .....		5
19290	$\frac{1}{2}$ " Wire Clip .....		2
18768	Dash Ignition Wire Cover .....		1
1175	Dash Ferrule Switch to Coil Wire .....		1
6427	Head and Tail Light Cable Ferrule .....		1



## FRAME—R. H. DRIVE

Parts listed below are those not interchangeable with Left Hand Drive on page 1

Part No.	NAME OF PARTS	Illustration No.	No. Eng.
20173	Frame Assembly (Used on 4P, T.R., R.L. and Lim. only)		1
20177	Frame Assembly (Used on T.P. only)		1
20208	Frame Side Member Assembly—Right Hand (Used on 4P. and Lim. only)		1
20209	Frame Side Member Assembly—Left Hand (Used on 4P. and Lim. only)		1
20210	Frame Side Member Assembly—Right Hand (Used on T.P. only)		1
20211	Frame Side Member Assembly—Left Hand (Used on T.P. only)		1
19036	Frame Side Spring Bracket—Right Hand Rear		1
19038	Frame Right Hand Front Spring Rear Bracket Grease Cup Extension		1
12418	Frame Right Hand Front Spring Rear Bracket No. 6 Long Stem Grease Cup		1
18615	Frame Right Hand Front Spring Rear Bracket Bushing		1

## FRONT AXLE—R. H. DRIVE

Parts listed below are those not interchangeable with Left Hand Drive on pages 2-8.

18082	Front Axle Assembly		1
18731	Front Axle Steering Arm—R.H.		1
10405	Front Axle Steering Arm—L.H.		1

## REAR AXLE—R. H. DRIVE

Same as Left Hand Drive listed on pages 2-8.

## UNIVERSAL JOINTS AND PROPELLER SHAFT

Same as Left Hand Drive listed on page 6.

## WHEELS

Parts listed below are those not interchangeable with L.H. Drive listed on page 6.

19430	Front Wheel Assembly—350 x 120 (Wood felloe)		3
19437	Rear Wheel Assembly—350 x 120 (Wood felloe)		3
20428	Wheel Rim—350 x 120 (Climber type)		3
8065	Wheel Rim Felloe Bolt		23
20430	Wheel Rim Felloe Bolt Nut and Wedge Assembly		23
20457	Felloe Head—350 x 120		4

## STEERING GEAR—R. H. DRIVE

Used on all models except where noted

21428	Steering Gear Complete (Used on 4P, T.R., Lim., R.L., and T.L. only)		1
21430	Steering Gear Complete (Used on 4P. only)		1
12432	Steering Gear Assembly (Less Steering Wheel)		1
21480	Steering Gear Case and Gear Assembly (Includes complete lower end of steering gear)		1
19740	Steering Gear Sector Bracket Tube Assembly		1
19741	Steering Gear Sector Bracket and Tube Assembly		1
21425	Steering Gear Case Cover		1
1308	Steering Gear Case Cover Bolt, Hex Cap Screw $\frac{1}{2}$ "-16 x $1\frac{1}{2}$ "	1580	4
10710	Steering Gear Control Sector Shoulder Bolt	1581	1
12789	Steering Gear Worm	1582	3
18796	Steering Gear Spark Control Lever—Lower	1583	1
12208	Steering Gear Control Lever—Lower Cap Screw $\frac{1}{2}$ "-16 x $\frac{1}{2}$ "	1584	1
15154	Steering Gear Thrustle Control Bolt	1585	1
21487	Steering Gear Case Frame Bracket	1586	1
15600	Steering Gear Main Tube—Upper	1587	1
15602	Steering Gear Main Tube—Lower	1588	1
19058	Steering Gear Worm Wheel	1589	1
21463	Steering Gear Case Assembly	1590	1
19040	Steering Gear Sector Bracket Tube	1591	1
19041	Steering Gear Thrustle Control Tube	1592	1
19042	Steering Gear Spark Control Tube	1593	1

## DRAG LINK—R. H. DRIVE

Parts listed below are those not interchangeable with left hand drive on page 8.

19099	Drag Link Assembly		1
21468	Drag Link Only		1
10206	Drag Link Boot—Rear		1

## CONTROL LEVERS—R. H. DRIVE

Used on all models except where noted

Parts listed below are those not interchangeable with left hand drive on pages 9-10.

Part No.	NAME OF PARTS	Illustration No.	No. of Pieces
13036	Control Lever Assembly		1
13037	Transmission Case Cover	1409	1
1308	Transmission Case Cover Cap Screw $\frac{5}{8}$ "-16 x 1 $\frac{1}{2}$ " U.S.S.	1401	1
1406	Transmission Case Cover Cap Screw $\frac{5}{8}$ "-16 x 3 $\frac{1}{4}$ " U.S.S.	1402	1
13028	Control Lever Bracket	1403	1
277	Control Lever Bracket Cap Screw $\frac{5}{8}$ "-16 x 2"	1404	2
4304	Control Lever Bracket Cap Screw $\frac{5}{8}$ "-16 x 2 $\frac{1}{2}$ "	1405	2
110	Control Lever Bracket Cap Screw Hex. Nut $\frac{5}{8}$ "-16 x $\frac{3}{4}$ "	1406	2
12116	Control Lever Bracket No. 0 Grease Cup—Short Stem	1407	1
12118	Control Lever Bracket No. 0 Grease Cup—Long Stem	1408	1
13099	Control Lever Bracket Buffer Spring	1409	1
13029	Control Housing	1410	1
13655	Starter Pedal Shaft Assembly	1411	1
13656	Starter Pedal Shaft	1411	1
14057	Starter Pedal Shaft Bushing	1412	2
13296	Starter Pedal Shaft Collar	1413	1
542	Starter Pedal Shaft Collar Taper Pin No. 1 x 3 $\frac{3}{4}$ "	1414	1
13706	Control Hand Lever Spring	1415	1
13610	Control Hand Lever Assembly (Includes 13641, 13642)	1416	1
13641	Control Hand Lever	1417	2
13642	Control Hand Lever Shaft	1418	1
13643	Control Hand Lever Shaft Bushing	1419	2
113	Control Hand Lever Shaft Woodruff Key No. 9	1420	1
13644	Control Hand Lever Shaft Collar	1421	1
754	Control Hand Lever Shaft Collar Taper Pin No. 2 x 1 $\frac{3}{4}$ "	1422	1
13043	Control Hand Lever Shaft Screwing Spring	1423	1
13646	Control Shifter Finger	1424	1
2404	Control Shifter Finger Hex. Head Cap Screw $\frac{5}{8}$ "-16 x 1 $\frac{1}{2}$ " U.S.S.	1425	1
12987	Control Shifter Finger Hex. Head Cap Screw Nut $\frac{5}{8}$ "-16 x $\frac{1}{4}$ "	1426	1
13047	Brake Hand Lever Assembly	1427	1
13048	Brake Hand Lever	1428	1
13649	Brake Hand Lever Latch	1429	1
13650	Brake Hand Lever Latch Grip	1429	1
13223	Brake Hand Lever Latch Grip Machine Screw Button Head No. 10-32 x $\frac{1}{2}$ "	1430	2
13753	Brake Hand Lever Latch Spring	1430A	1
13651	Brake Hand Lever Ratchet Plate	1431	1
1306	Brake Hand Lever Ratchet Plate Hex. Head Bolt $\frac{5}{8}$ "-16 x 1 $\frac{1}{2}$ " U.S.S.	1432	1
14652	Brake Hand Lever Shaft	1433	1
115	Brake Hand Lever Shaft Woodruff Key No. 9	1434	2
13652	Brake Hand Lever Shaft Bushing	1435	1
13654	Brake Hand Lever Shaft Rocker Arm	1435	1
2404	Brake Hand Lever Shaft Rocker Arm Hex. Head Cap Screw $\frac{5}{8}$ "-16 x 1 $\frac{1}{2}$ "	1436	1
12987	Brake Hand Lever Shaft Rocker Arm Hex. Nut $\frac{5}{8}$ "-16 x $\frac{1}{4}$ " U.S.S.	1437	1

## PEDAL CONTROL—R. H. DRIVE

Parts listed below are those not interchangeable with left hand drive on page 10.

7992	Pedal Control Assembly		1
7409	Pedal Support Bracket	1440	1
7408	Pedal	1441	1
12118	Clutch Pedal No. 0 Grease Cup	1442	1
7310	Pedal Shaft	1443	1
7311	Clutch Throwout Yoke Spring Retainer	1444	1
697	Clutch Throwout Yoke Spring Retainer Cap Screw $\frac{5}{8}$ "-16 x $\frac{3}{4}$ "	1445	1
5462	Clutch Throwout Yoke Spring Retainer Cap Screw Nut $\frac{5}{8}$ "-16 x $\frac{3}{4}$ "	1446	1
8203	Clutch Throwout Yoke Spring Retainer Cap Screw $\frac{5}{8}$ "-16 x $\frac{3}{4}$ "	1447	1
7047	Brake Pedal	1448	1

## BRAKE CONTROL—R. H. DRIVE

Parts listed below are those not interchangeable with left hand drive on pages 10-11.

7443	Foot Brake Cross Shaft—Short	1449	1
7961	Foot Brake Cross Shaft—Long	1450	1
13682	Brake Pedal to Pull Rod Link	1450	1
14257	Pull Rod Complete—Brake Pedal to Equalizer	1451	1
13683	Pull Rod—Brake Pedal to Equalizer	1451	1

## SPARK, THROTTLE AND OIL CONTROL—R. H. DRIVE

Parts listed below are those not interchangeable with left hand drive on pages 11-12.

11473	Spark Control Rod Assembly—Steering Gear to Distributor (Includes 13663, 8319, 12794)		1
13663	Spark Control Rod—Steering Gear to Distributor	1460	1
8319	Spark Control Rod Special Ball 20101 $\frac{1}{4}$ "-28 U.S.S.	1461	2