

# INTERNATIONAL<sup>®</sup>



# 1200 C

Vehicle illustrated may include Optional Equipment and does not necessarily include all standard equipment.

## RATINGS

### MAXIMUM GROSS VEHICLE WEIGHTS:\*

Standard.....6,100 lbs.  
With Heavy-Duty Rear Springs.....7,300 lbs.

\*Requires tires of adequate capacity.

## STANDARD EQUIPMENT

### AXLE, FRONT

FA-10 2,700-lb capacity  
Heat-treated forged-steel I beam

### AXLE, REAR

RA-16 5,500-lb capacity  
Hypoid single reduction, 9 $\frac{3}{4}$ " ring gear  
Full floating, induction hardened axle shaft  
Ratios: 4.10, 4.56 or 4.88 to 1

### BRAKES, PARKING

Mechanical control of rear service brakes  
Foot pedal applied, finger lever released  
Total lining area: 93.4 sq. inches

### BRAKES, SERVICE

Self-adjusting hydraulic, dual operation  
with warning light  
Single cylinder, single-piston front  
Single-cylinder, double-piston rear  
Size: 12  $\times$  1 $\frac{3}{4}$ " front, 12  $\times$  2" rear  
Total lining area: 174.0 sq. inches

### CAB

All steel, with safety glass windows and  
sweep-around windshield  
Door locks both sides with safety latches  
Non-glare padded instrument panel with  
ammeter, fuel, water temperature  
and oil pressure gauges  
Full width adjustable seat, with Torflex  
spring construction, vinyl upholstery  
and polyurethane foam cushion  
Acoustical roof headliner  
Rubber floor mat with  
sound deadening insulation

### AXLE, REAR

RA-17, 5,500-lb capacity single reduction,  
with Powr-Lok limited slip differential  
Ratios: 4.1, 4.56, 4.88

### BODIES

7-ft or 8 $\frac{1}{2}$ -ft regular pickup, with under-  
slung or optional inner body tire carrier  
7-ft or 8-ft Bonus-Load pickup body,  
with inner body tire carrier  
Travelall<sup>®</sup> body, with four side doors,  
rear tailgate with electrically operated  
roll-down window, white rear bumper,  
inner body tire carrier; dual  
padded sun visors and  
dual, chrome, door mounted mirrors

### CAB (Continued)

Fresh air heater and defroster  
Padded sun visor for driver  
Ash tray; hand choke  
Two-speed non-glare electric windshield  
wipers and electric washers  
Seat belts and shoulder harness anchors  
Chrome door-mounted and inside rear  
view mirrors

### CLUTCH

10-inch 9-spring single plate  
Hydraulic control; vibration dampener

### COOLING SYSTEM

18.5 quart system capacity  
Radiator frontal area: 497 sq. inches  
Permanent type anti-freeze -20°F

### ELECTRICAL SYSTEM

12-volt 37-amp alternator  
50 amp-hr, 54-plate battery  
Fuse panel in glove compartment  
Dual stop and tail lights; back-up lights  
Dome light; single electric horn  
Directional signals: front in parking  
lights, rear in stop lights  
Traffic hazard switch  
Front side marker lamps

### ENGINE

International BG-241 gasoline six  
Gross BHP: 140.8 @ 3800 rpm  
Gross torque: 223.5 lb-ft @ 2000 rpm  
241 cu. in. displmt.; 7.5 to 1 compr. ratio  
Oil bath air cleaner; full-flow oil filter

## OPTIONAL EQUIPMENT

### BODIES (Continued)

Optional: Full width fold down center  
seat, removable rear seat, panel-type  
rear doors, trim packages  
Panel body with four side doors,  
double rear doors,  
driver's individual bucket seat,  
white rear bumper  
6-ft or 8-ft Bonus-Load pickup body with  
inner body tire carrier  
for Travelette cab  
8-ft stake body

### BRAKES, SERVICE

Vacuum power assist system

### CAB

Deluxe interior trim package  
Front bucket seats with console

### FINISH

Chassis: black; bumper: white  
Hood, cab, fenders and wheels:  
choice of any standard IH color

### FRAME

Pressed steel channel main rails  
7  $\times$  3  $\times$  0.179"; 4.81 section modulus  
Formed-channel front bumper

### FUEL TANK

19-gallon, mounted under cab

### STEERING

S-8 gear, with 17-inch steering wheel  
and collapsible column

### SUSPENSION

Semi-elliptic leaf springs  
Front: 2 $\frac{1}{2}$   $\times$  46"; 2,820-lb capacity  
Rear: 2 $\frac{1}{2}$   $\times$  52"; 4,420-lb capacity  
thru 140" WB.  
4,650-lb capacity 166" WB.  
Front and rear shock absorbers

### TRANSMISSION

T-4 three-speed synchromesh, direct  
Gear shift lever on steering column  
Ratios: 3.03, 1.64, 1.00; 3.68 rev.

### WHEELS AND TIRES

Single front and rear with spare rim  
7-17.5 6-PR truck type tires  
6-stud disc wheels, with 5.25 DC rims  
7 $\frac{1}{4}$ " bolt circles

### CAB (Continued)

Custom trim package  
Exterior trim package  
Laminated, clear window glass in lieu  
of tempered.  
4-door 6-passenger Travelette cab  
Full width or passenger seat, for panel  
body  
Super-capacity heater-defroster  
Air conditioner  
Chrome door-mounted passenger side  
mirror  
Truck type outside mirrors  
Tinted glass  
Right or left side arm rest  
Glove compartment lock  
Camper package  
Outside trim moulding

**OPTIONAL EQUIPMENT (Continued)**

**CLUTCH**

11-inch 9-spring  
11-in 12-spring  
12-inch 12-spring

**COOLING SYSTEM**

Increased capacity system

**ELECTRICAL SYSTEM**

52- or 61-amp alternator  
60 or 70 amp-hr battery  
Dual electric horns; radio  
Cigar lighter  
Three front identification lights  
Two front corner lamps  
Camper electrical connector  
Amber side reflectors, front  
Two rear clearance, three rear identification and two rear marker lights with two side reflectors

**ENGINE**

BG-265 153.5-BHP gasoline six  
V-266 154.8-BHP gasoline V8

**ENGINE (Continued)**

V-304 193.1-BHP gasoline V8  
V-345 gasoline V8  
V-304 LPG 180-BHP LPG V8  
Hand throttle control  
Velocity-type engine governors  
Automatic choke

**FRAME**

Underslung tire carrier, for Bonus-Load pickup body, chassis and cab, Travelall or Panel  
Left side mounted outside tire carrier with regular pickup body  
Spare tire lock  
Chrome front or rear bumper  
White rear bumper

**FUEL TANK**

Auxiliary 14-gallon tank under left side with dash-mounted tank selector  
15 gallon under cab, in lieu of standard

**STEERING**

Hydraulic power assist system

**SUSPENSION**

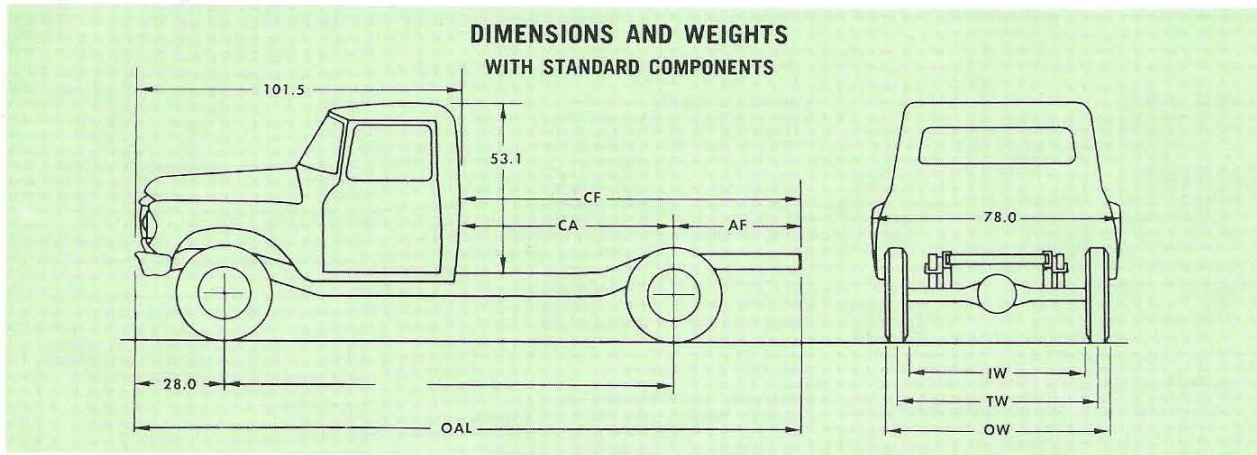
3,260-lb capacity HD front springs  
5,890-lb capacity HD rear springs  
6,390-lb capacity main and auxiliary rear springs

**TRANSMISSION**

T-7 HD three-speed with floor-mounted control lever  
T-15 HD four-speed, with floor-mounted control lever  
T-28 three-speed automatic  
T-34 HD 5-speed, overdrive  
T-36 HD 5-speed, direct  
Oil cooler for T-28

**WHEELS AND TIRES**

Optional tires sizes as shown below  
Chrome hub caps, front and rear



DIMENSIONS with 7 × 17.5 TIRES		
Overall Width: 78" at front fenders	Ground Clearance: 7.1" at front axle 8.0" at rear axle	Frame Height at Rear Axle: 28.6" empty
Overall Height: 69.9" at top of cab		24.8" loaded

CHASSIS DIMENSIONS and WEIGHTS									
WB	CHASSIS WEIGHTS, LBS.*			DIMENSIONS				TURNING RADIUS	
	Front	Rear	Total	CA	CF	AF	OAL	To Centerline of Tire	With Bumper Clearance
115"	2,290	1,120	3,410	42"	85.3"	43.3"	186.8"	19 ft. 6 in.	20 ft. 8 in.
119"	2,290	1,125	3,415	45.5"	85.3"	39.8"	186.8"	20 ft. 1 in.	21 ft. 3 in.
122"	2,290	1,125	3,415	49"	85.3"	36.3"	186.8"	20 ft. 7 in.	21 ft. 9 in.
131"	2,305	1,125	3,430	57.5"	103.3"	45.8"	204.8"	21 ft. 11 in.	23 ft. 1 in.
140"	2,320	1,125	3,445	67.0"	106.8"	39.0"	208.3"	23 ft. 3 in.	24 ft. 5 in.
140"	2,480	1,370	3,850	30.0"	69.8"	39.8"	208.3"	23 ft. 3 in.	24 ft. 5 in.
166"	2,560	1,390	3,950	59"	96.1"	37.1"	232.9"	27 ft. 2 in.	28 ft. 4 in.

\*Chassis and cab with standard equipment, oil, fuel and water \*\*With Travelette Cab.

TIRE DIMENSIONS							
Tire-Size	TUBELESS ON DISC WHEELS			TIRES AND TUBES ON DISC WHEELS			
	7 × 17.5	8 × 17.5	8 × 19.5	6.50 × 16	7.00 × 16	7.50 × 16	7.00 × 18
Rim Size	5.25	5.25	5.25	4.50E	5.50F	5.50F	5.50S
Outside width OW	70.0"	70.7"	70.7"	70.2"	70.8"	71.2"	70.5"
Tread width TW	63.0"	63.0"	63.0"	63.0"	63.0"	63.0"	63.0"
Inside width IW	55.7"	55.3"	55.3"	56.0"	55.4"	54.8"	55.5"
Chain clearance	6.0"	5.8"	5.8"	6.1"	5.8"	5.5"	5.9"
Front Tread	62.8"	62.8"	62.8"	62.8"	62.8"	62.8"	62.8"

In order that product improvements may be introduced at any time, specifications are subject to change without notice.

INTERNATIONAL HARVESTER COMPANY • 401 NORTH MICHIGAN AVE. • CHICAGO, ILLINOIS 60611

CT-400F. AD-4237-U6. 1-1.

ORDER AD SPEC. SHEETS ON AD-4130.

Litho in United States of America