



INTERNATIONAL®

1200 D

Vehicle illustrated may include Optional Equipment and does not necessarily include all standard equipment.

RATINGS

MAXIMUM GROSS VEHICLE WEIGHTS:*

Standard.....	6,100 lbs.
With Heavy-Duty front and rear springs on 115", 119" and 131" W.B.....	7,500 lbs.
With Heavy-Duty rear springs on 149" and 164" W.B.....	7,500 lbs.

*Requires tires of adequate capacity.

STANDARD EQUIPMENT

AXLE, FRONT

FA-12 3,000-lb capacity
Heat-treated forged-steel I beam

AXLE, REAR

RA-16 5,500-lb capacity
Hypoid single reduction
Full floating, induction hardened axle shaft
Ratios: 3.54, 3.73, 4.10, 4.56 to 1

BRAKES, PARKING

Mechanical control of rear service brakes
Foot pedal applied, finger lever released
Total lining area: 122.7 sq. inches

BRAKES, SERVICE

Self-adjusting hydraulic, dual operation with warning light
Single cylinder, single-piston front
Single-cylinder, double-piston rear
Size: 12 x 2 $\frac{1}{2}$ " front, 12 x 2 $\frac{1}{2}$ " rear
Total lining area: 245.5 sq. inches

CAB

Choice of interior colors: green, red, blue or black
All steel, with safety glass windows and sweep-around windshield
Door locks both sides with safety latches
Non-glare padded instrument panel with ammeter, fuel, water temperature and oil pressure gauges
Full width adjustable seat, with Torflex spring construction, vinyl upholstery and polyurethane foam cushion
Acoustical roof headliner

CAB (Continued)

Rubber floor mat with sound deadening insulation
Fresh air heater and defroster
Dual padded sun visors
Dual arm rests
Ash tray; hand choke
Two-speed non-glare electric windshield wipers and electric washers
Seat belts; shoulder harness anchors
Chrome door-mounted and inside rear view mirrors

CLUTCH

11-inch diaphragm type

COOLING SYSTEM

17 quart system capacity
Radiator frontal area: 546 sq. inches
Permanent type anti-freeze —20°F

ELECTRICAL SYSTEM

12-volt 37-amp alternator
50 amp-hr, 54-plate battery
Fuse panel in glove compartment
Dual stop and tail lights; back-up lights
Dome light; single electric horn
Directional signals: front in parking lights, rear in stop lights
Traffic hazard switch
Front side reflectors

ENGINE

International V-266 gasoline V8
Gross BHP: 154.8 @ 4400 rpm
Gross torque: 227.1 lb-ft @ 2,800 rpm
266 cu. in. displmt.; 8.4 to 1 compr. ratio
Dry type air cleaner; full-flow oil filter
Aluminized muffler and short tailpipe

FINISH

Chassis: black; bumper: white
Hood, cab, fenders and wheels:
choice of any standard IH color

FRAME

Pressed steel channel main rails:
115" — 149" W.B.: 7 x 3 x 0.179";
4.81 section modulus
164" W.B.: 7 $\frac{1}{16}$ x 3 $\frac{1}{2}$ x 0.209";
5.65 section modulus
Formed-channel front bumper
Underslung tire carrier

FUEL TANK

16-gallon, mounted under cab

STEERING

S-55 gear, with 17-inch steering wheel and energy absorbing anti-penetration column

SUSPENSION

Semi-elliptic leaf springs
Front: 2,600-lb capacity (115", 119", 131" W.B.)
3,100-lb capacity (149", 164" W.B.)
Rear: 3,500-lb capacity
Front and rear shock absorbers

TRANSMISSION

T-24 three-speed fully synchronized
Gear shift lever on steering column
Ratios: 3.06, 1.50, 1.00; rev. 3.39

WHEELS AND TIRES

Single front and rear with spare rim
8.00 x 16.5 6-PR truck type tires
8-stud disc wheels, with 6.00 rims
6 $\frac{1}{2}$ " bolt circles

OPTIONAL EQUIPMENT

AXLE, REAR

RA-17 5,500-lb capacity single reduction, with Powr-Lok limited slip differential
Ratios: 3.54, 3.73, 4.10, 4.56

BODIES

6 $\frac{1}{2}$ ft. and 8 ft. regular or Bonus Load pickup bodies with rear side reflectors and inside body tire carrier

Travelall® body, with four side doors, rear tailgate with roll-down rear window, white rear bumper, inner body tire carrier; rear side reflectors, dual, chrome, door-mounted mirrors, 21-gallon fuel tank and long tailpipe
Optional: Full width fold down center seat, removable rear seat, panel-type

BODIES (Continued)

rear doors
Panel body with four side doors, double rear doors, driver's individual bucket seat, white rear bumper, rear side reflectors, 21-gallon fuel tank, inside body tire carrier and long tailpipe
8-ft. stake body with reflectors, clearance, identification and marker lights

BRAKES, SERVICE

Vacuum power assist system

CAB

Interior trim package
Front bucket seats with console
Nylon carpeting

CAB (Continued)

Sliding rear window
Exterior trim package
4-door 6-passenger Travellette cab
Full width or passenger seat, for panel body
Super-capacity heater-defroster
Air conditioner
Chrome door-mounted passenger side mirror
Truck type outside mirrors
Tinted glass
Glove compartment lock
Camper package
Outside trim moulding
Simulated black vinyl top
Undercoating

OPTIONAL EQUIPMENT (Continued)

CLUTCH

11-inch angle link
Heavy-duty 11-inch diaphragm type

COOLING SYSTEM

Increased capacity system

ELECTRICAL SYSTEM

52 or 61-amp alternator
60 or 70 amp-hr battery
Dual electric horns; radio
Cigar lighter
Five front clearance and identification lights
Double face fender-mounted directional signals
Multiple electric connector

ENGINE

V-304 gasoline V8
V-345 gasoline V8
V-392 gasoline V8

ENGINE (Continued)

V-304 LPG V8
Hand throttle control
Automatic choke
Exhaust emission
Modulated fan
Heavy-duty air cleaner element
Air cleaner with modulated air temperature control

FRAME

Underslung tire carrier for pickup and panel bodies
Left side mounted outside tire carrier with regular pickup body
Spare tire lock
Chrome front or rear bumper
White rear bumper
Trailer hitch
Rear step bumper with trailer hitch

FUEL TANK

Auxiliary 16-gallon tank under left side with dash-mounted tank selector
15-gallon under cab, in lieu of standard

STEERING

Hydraulic power assist system

SUSPENSION

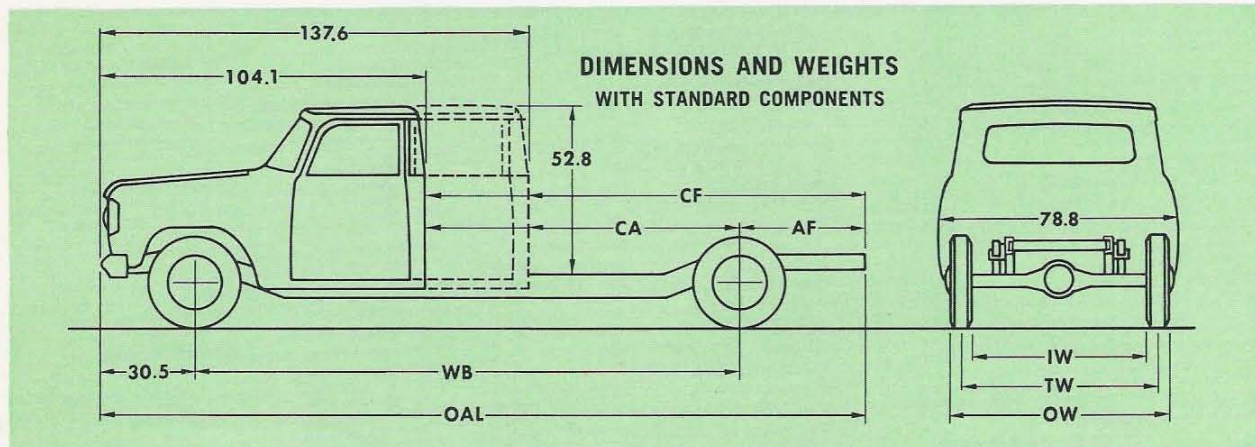
Heavy-duty front springs
Heavy-duty rear springs
Auxiliary rear springs
Heavy-duty front or rear shock absorbers
Rear sway bar
Level-aire ride (119" WB only)

TRANSMISSION

T-7 HD three-speed with floor-mounted control lever
T-34 5-speed, synchromesh, overdrive
T-36 5-speed, synchromesh, direct
T-418 HD four-speed, with floor-mounted control lever
T-445 four-speed synchromesh
Three-speed automatic with oil cooler

WHEELS AND TIRES

Optional tires sizes as shown below
Bright finish hub caps, front and rear



DIMENSIONS with 8.00 x 16.5 TIRES									
Overall Width: 77.6" at front fenders			Ground Clearance: 8.4" at front axle			Frame Height at Rear Axle: empty			
Overall Height: 69.0" at top of cab			7.3" at rear axle			24.2" loaded			
CHASSIS DIMENSIONS and WEIGHTS									
WB	CHASSIS WEIGHTS, LBS.*			DIMENSIONS				TURNING RADIUS	
	Front	Rear	Total	CA	CF	AF	OAL	To Centerline of Tire	With Bumper Clearance
115"	2,290	1,120	3,410	41.9"	79.6"	37.7"	183.7"	19'9"	21'1"
119"	2,290	1,125	3,415					20'4"	21'8"
131"	2,305	1,125	3,430	57.4"	97.6"	40.2"	201.7"	22'2"	23'6"
149"	2,320	1,125	3,445	75.4"	113.1"	37.7"	217.2"	24'10"	26'2"
149**	2,480	1,370	3,850	41.9"	79.6"	37.7"	217.2"	24'10"	26'2"
164**	2,560	1,390	3,950	57.4"	97.6"	40.2"	235.2"	27'2"	28'6"
*Chassis and cab with standard equipment, oil, fuel and water. **With Travelette Cab.									
TIRE DIMENSIONS									
Tire Size	TUBELESS			TIRES AND TUBES					
	8.00 x 16.5	8.75 x 16.5	9.50 x 16.5	7.00 x 16	7.50 x 16				
Rim Size	6.00	6.75	6.75	5.50F	5.50F				
Outside width OW	71.4"	72.2"	73.0"	71.3"	71.7"				
Tread width TW	63.0"	63.0"	63.0"	63.0"	63.0"				
Inside width IW	54.6"	53.8"	53.0"	54.7"	54.2"				
Chain clearance									
Front Tread	63.6"	63.6"	63.6"	63.6"	63.6"				

In order that product improvements may be introduced at any time, specifications are subject to change without notice.

INTERNATIONAL HARVESTER COMPANY • 401 NORTH MICHIGAN AVE. • CHICAGO, ILLINOIS 60611

CT-400-G. AD-4237-W9. 6-2.

ORDER AD SPEC. SHEETS ON AD-4130.

Litho in United States of America