

BMW 2006 M



M3 Coupe
M3 Convertible

The Ultimate
Driving Machine®







You live only once.
Be M-powered.



Handling that
grips the road – and
frees your imagination.



MENU
On-Board Computer GPS-Navigation
Code
Settings Monitor Off
1:32 pm 10/07/2005

70.0 °F



2 3
4 5



M3 Coupe design details.

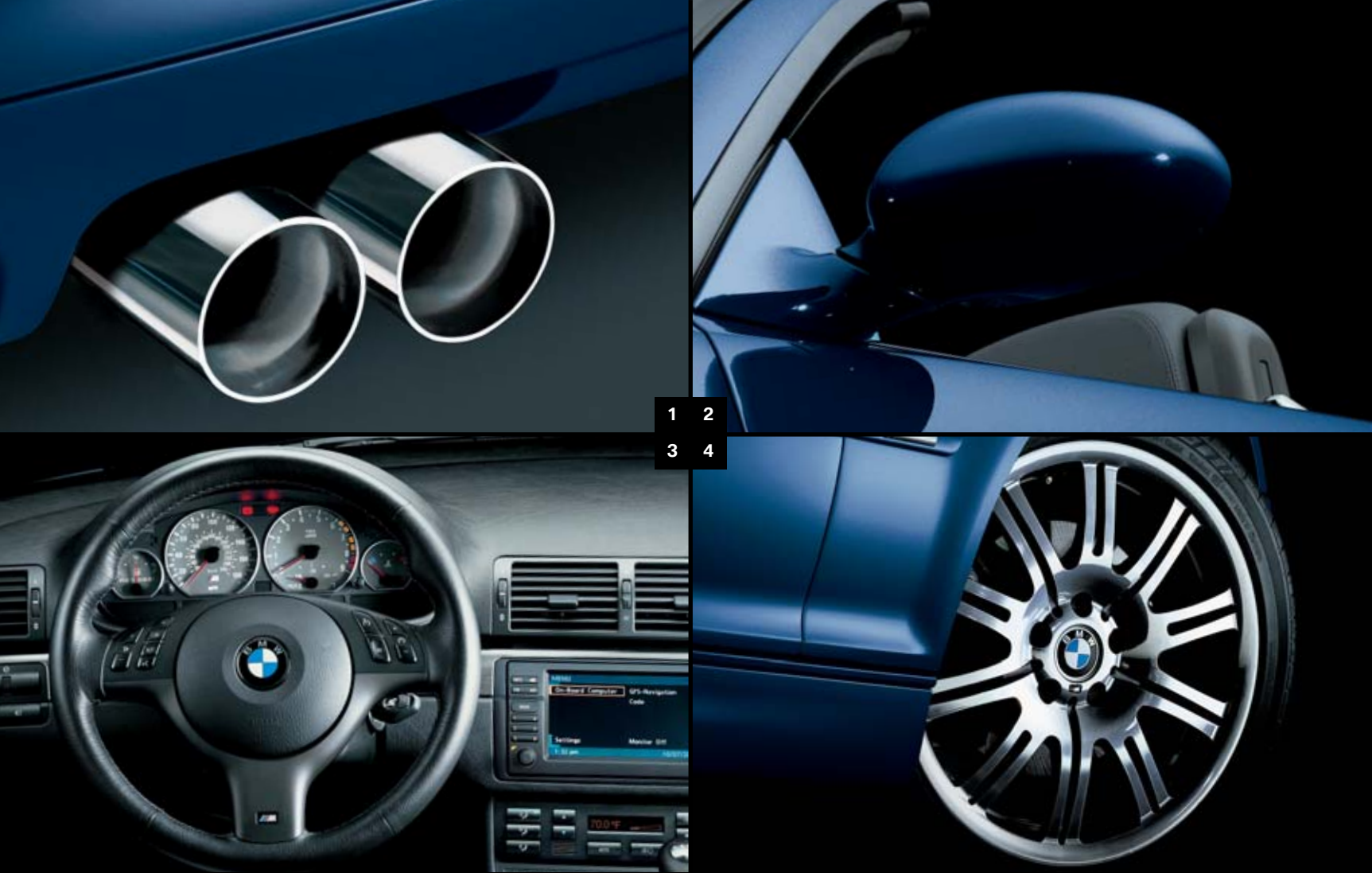
1 19" M Double Spoke (Style 67) polished and forged alloy wheel.¹ 2 Sequential Manual Gearbox (SMG).² 3 Dual twin stainless steel exhaust tips. 4 Chrome side gill. 5 Tilt/telescopic M three-spoke steering wheel with SMG² paddles. 6 BMW M front spoiler with halogen free-form M oval foglights.

¹ Optional. Due to low-profile tires, please note: wheels, tires and suspension parts are more susceptible to road hazard and consequential damages.

² Optional.



6



1 2
3 4

M3 Convertible design details.

1 Dual twin stainless steel exhaust tips. 2 M aerodynamic side-view mirror. 3 Tilt/telescopic M three-spoke steering wheel. 4 19" M Double Spoke (Style 67) polished and forged alloy wheel¹. 5 BMW M front spoiler with halogen free-form M oval foglights. 6 Front seat with integrated safety belt.

¹ Optional. Due to low-profile tires, please note: wheels, tires and suspension parts are more susceptible to road hazard and consequential damages.

5



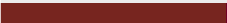





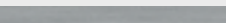













6



The M3 Competition Package –
Sharpen the performance edge.



Combinations

Interior colors	Nappa Leather ¹				Alcantara/Nappa Leather ²
	Cinnamon	Imola Red	Gray	Black	
Upholstery colors					
Exterior colors					
300 Alpine White ³	■ ●	■ ●	■ ● ◆	■ ● ◆	■ ● ◆
405 Imola Red ³		■ ●	■ ●	■ ●	■ ●
668 Jet Black ³	■ ●	■ ●	■ ●	■ ●	■ ●
354 Titanium Silver Metallic ⁴		■ ●	■ ●	■ ●	■ ●
A08 Silver Gray Metallic		■ ●	■ ●	■ ●	■ ●
A07 Mystic Blue Metallic			■ ● ◆	■ ● ◆	■ ● ◆
416 Carbon Black Metallic ⁵	■ ●		■ ●	■ ●	■ ●
A30 Interlagos Blue Metallic	■		■	■	■
Interior trim					
Aluminum ⁶					
Titan Shadow ⁷					
Competition Package Aluminum					

¹ Nappa Leather: Standard in M3 Coupe and Convertible.

² Alcantara/Nappa Leather: No-cost option in M3 Coupe and Convertible.

³ Non-metallic exterior paint: Standard in M3 Coupe and Convertible.

⁴ Metallic exterior paint: Optional in M3 Coupe and Convertible.

⁵ Interlagos Blue available only on M3 Competition Package.

⁶ Aluminum interior trim: Standard in M3 Coupe and Convertible. Not available with M3 Competition Package.

⁷ Titan Shadow interior trim: No-cost option in M3 Coupe and Convertible. Not available with M3 Competition Package.

⁸ Competition Package Aluminum interior trim: standard in and available only with M3 Competition Package.

■ M3 Coupe interior color choices.

● M3 Convertible interior color choices offered with 388 Black Softtop.

◆ M3 Convertible interior color choices offered with 391 Dark Blue Softtop.

Life is full of color.

Here are your exterior and interior color choices. Review the color swatches to compare various combinations indicated in the chart. Since exterior paint samples and colors printed on paper can never perfectly match paint finishes and upholstery, we suggest you visit your local authorized BMW center to view the actual colors.

Equipment | Standard and Optional

Performance and efficiency	M3 Coupe	M3 Convertible	Exterior	M3 Coupe	M3 Convertible
3.2-liter dual overhead cam (DOHC), 24-valve inline 6-cylinder engine with Double-VANOS "steplessly" variable valve timing	●	●	M-style alloy wheels with Satin Chrome finish and safe-stop rim design, 18 x 8.0 front, 18 x 9.0 rear, with asymmetric hump; 225/45R-18 front and 255/40R-18 rear performance tires ⁴	●	●
6 individual throttles, electronically controlled (drive-by-wire), with M Dynamic Driving Control (throttle control)	●	●	M Double Spoke (style 67) polished and forged alloy wheels, and safe-stop rim design, 19 x 8.0 front, 19 x 9.5 rear; 225/40R-19 front and 255/35R-19 rear performance tires ⁴	○ ⁵	○
Digital Motor Electronics (DME) with on-board diagnostics	●	●	Lightweight alloy wheels, 19 x 8.0 front, 19 x 9.5 rear; 225/40R-19 front and 255/35R-19 rear performance tires ⁴	□	
Distributorless electronic ignition system	●	●	Flat tire warning	●	●
6-speed manual transmission with heavy-duty clutch	●	●	BMW M-design front and rear body-color bumpers with hydraulic energy absorbers and front-compressible elements	●	●
Sequential Manual Gearbox (SMG) ¹	○	○	Xenon low- and high-beam headlights with auto-leveling feature	○	○
Handling, ride and braking			Halogen free-form M oval design foglights	●	●
Dynamic Stability Control (DSC), including All Season Traction	●	●	High-pressure liquid headlight cleaning system	◆	◆
Dynamic Stability Control (DSC), including All Season Traction M Track Mode ²	□		Aluminum hood with "power dome"	●	●
M Variable Differential Lock	●	●	Flared front and rear fenders, including wheel arches; vent gills in front fenders	●	●
Engine-speed-sensitive, variable-assist power steering	●	●	M-style side-view mirrors	●	●
More direct steering ratio (14.5:1)	□		Fully lined fabric automatic softtop with glass rear window and electric rear-window defroster		●
Aluminum double-pivot strut-type front suspension and 4-link integral rear suspension	●	●	Body-color hardtop with integrated rear-window defroster, retractable coat hooks, and individual reading lights front and rear		○
Aluminum trailing-link assembly rear suspension	●	●	Automatic tilt-down of passenger's side-view mirror when vehicle is shifted into reverse gear	○ ⁶	●
Independent suspension with M calibration (stiffened dampers, springs and anti-roll bars; modified rear axle geometry)	●	●	Heated side-view mirrors, windshield washer jets and door locks	●	●
Gas-pressurized front struts and rear shock absorbers	●	●	Rain-sensing windshield wipers with automatic headlight control	●	●
Massive, 4-wheel BMW M vacuum-assisted ventilated disc brakes	●	●	White turn-signal indicators	●	●
High-performance-tuned anti-lock braking system (ABS) with Dynamic Brake Control	●	●	4 polished stainless-steel exhaust tips	●	●
Large cross-drilled compound brakes with (13.6" front rotors, up from 12.8") ³	□		Park Distance Control (rear) ⁷	○	○
			Metallic paint	○	○

● = Standard

○ = Optional

□ = Included in optional Competition Package

★ = Included in optional Premium Package

◆ = Included in optional Cold Weather Package

¹ Includes Park Distance Control (PDC).

² M Track Mode is a less intrusive mode for DSC. Drivers should exercise caution while driving with M Track Mode. Regular DSC mode is still available. Not available with cruise or multi-function steering wheel controls. Note: Please drive safely, observe all traffic and speed limit postings and always wear safety belts.

³ Compound brakes make more noise under braking than standard M3 brakes.

⁴ Due to low-profile tires, please note: wheels, tires and suspension parts are more susceptible to road hazard and consequential damages. Performance tires not recommended for driving in ice and snow.

⁵ Not available with M3 Competition Package.

⁶ Included with optional power-adjustable front seats or Premium Package.

⁷ Included with SMG.

Standard and Optional | Equipment

Interior seating and trim	M3 Coupe	M3 Convertible	Comfort and convenience	M3 Coupe	M3 Convertible
Nappa leather upholstery	●	●	Automatic climate control with automatic recirculation	●	●
Alcantara/Nappa leather upholstery ⁸	○	○	Micro-filtered ventilation system with replaceable activated charcoal filter	●	●
Front sport seats with adjustable thigh support	●	●	Power, glass 2-way moonroof with remote, "one-touch" operation and sliding interior sunshade	○/★	
Power-adjustable front seats with 3-setting memory system for driver's seat, and outside mirrors	○/★	●	Power front/rear windows with rear side vent windows	●	
Width-adjustable power front seat backrests with 4-way lumbar support	○/★		Power front/rear windows with "one-touch" up/down operation (Convertible only)		●
4-way lumbar support for front seats		○	Automatic-dimming inside rear-view mirror	●	●
Seatback easy-entry feature	●	●	3-spoke, leather-wrapped multi-function M sport steering wheel with fingertip cruise, audio and (accessory) phone controls, M color stitching and tilt/telescopic adjustment	●	●
Split fold-down rear seats	●		Alcantara-covered steering wheel with M Track Mode (for DSC) button ¹⁰	□	
3-stage heated front seats	○/◆	○/◆	Cruise control	● ⁵	●
Front armrest	●	●	Dual sun visors with vanity mirrors	●	●
M3-badged doorsills	●	●	Power rear window shade	○	
Alcantara-covered handbrake grip	□		Courtesy lights with fade-in/fade-out feature, actuation from remote control	●	●
Audio system			BMW Ambiance Lighting	●	●
Anti-theft AM/FM stereo/CD audio system with 10 speakers, Radio Data System (RDS), Auto-Store, MP3 capability and 3-channel FM diversity antenna system	●	●	Front and rear reading lights, separately controllable left/right	●	
Harman Kardon AM/FM stereo/CD audio system with upgraded speakers, upgraded amplification, vehicle-speed-sensitive equalization and MP3 capability	○	○	Console valet and cupholders	●	●
Pre-wiring for accessory BMW cellular phone, 6-disc CD changer, Auxiliary Input and SIRIUS Satellite Radio ⁹	●	●	Ski bag	◆	◆
			Vehicle & Key Memory	●	●
			Keyless entry with multi-function remote, 2-step unlocking, remote trunk release	●	●
			Electric interior trunk release	●	●
			Fully finished trunk with drop-down tool kit	●	●
			Rechargeable take-out flashlight in glovebox	●	●

⁸ No-cost option.

⁹ Please visit your authorized BMW center for details on equipment.

¹⁰ Not available with multi-function controls.

All illustrations and specifications contained in this brochure are based on the latest product information available at the time of printing. BMW reserves the right to make changes at any time, without notice, in colors, materials, equipment, specifications and models. BMW may, subject to legal requirements, determine the Model Year designation of its vehicles. The Model Year designation on any particular model may be longer or shorter than 12 months. Some vehicles pictured may contain non-U.S. equipment. Some models may be shown with optional equipment. While BMW NA makes all reasonable efforts to provide accurate information in this brochure, there is no guarantee or warranty of accuracy. Furthermore, we do not assume any liability for the accuracy or completeness of information presented. This brochure shall not be used or relied upon as a substitute for information that is available from your BMW center. Further information can be obtained from your authorized BMW center or bmwusa.com.

Equipment | Standard and Optional

Instrumentation and controls	M3 Coupe	M3 Convertible	BMW Maintenance Program	M3 Coupe	M3 Convertible
M-design instrument cluster featuring titanium-finish-ringed instrument dials with gray backgrounds and red needles	●	●	BMW Maintenance ¹³	●	●
Service Interval Indicator with miles-to-service display	●	●	Premium Package¹²		
Check Control vehicle monitoring system	●	●	Power, glass 2-way moonroof with remote, one-touch operation and sliding interior sunshade	★	
Oil temperature gauge	●	●	Power-adjustable front seats with 3-setting memory system for driver's seat and outside mirrors	★	
Variable Warning Tachometer	●	●	Width-adjustable power front seat backrests with 4-way lumbar support	★	
External temperature display	●	●	BMW Assist and Bluetooth® wireless communication for hands-free mobile phone ¹¹	★ ¹²	
On-board computer	●	●	M3 Competition Package		
On-board navigation system (available with in-dash CD player)	○	○	Large compound brakes with cross-drilled rotors (13.6" front)	□	
			More direct steering ratio (14.5:1)	□	
Safety and security			Lightweight alloy wheels, 19 x 8.0 front, 19 x 9.5 rear; 225/40R-19 front and 255/35R-19 rear performance tires ¹⁴	□	
Driver's and passenger's front airbag supplemental restraint system (SRS) with "smart" dual-stage and dual-threshold deployment, and sensor to help prevent unnecessary passenger's airbag deployment	●	●	Competition Package Aluminum interior trim	□	
Head Protection System (HPS)	●		Alcantara-covered steering wheel with M Track Mode (for DSC) button ¹⁵	□	
Front-door-mounted side-impact airbags	●	●	Alcantara-covered handbrake grip	□	
Adaptive Brake Lights	●	●	Cold Weather Package		
Rollover Protection System		●	3-stage heated front seats, high-pressure liquid headlight cleaning system, ski bag	◆	◆
Automatic front safety belt pretensioners and force limiters	●	●	Accessories¹⁶		
Manual height adjustment for front safety belts	●		BMW cellular telephone	△	△
Seat-integrated front safety belts		●	6-disc CD changer	△	△
Child seat automatic safety belt locking device	●	●	iPod Seamless Integrated System	△	△
Interlocking door anchoring system to help protect against door intrusion in side impacts	●	●	SIRIUS Satellite Radio	△	△
Central locking system (leaves gas filler door unlocked) and double-lock feature	●	●			
Coded Driveaway Protection (prevents engine start when your key, with constantly changing electronic code, is not used)	●	●			
Crash sensor that automatically turns on hazard lights, interior lights and unlocks doors	●	●			
Battery Safety Terminal	●	●			
Automatic fuel cut-off, triggered by airbag deployment	●	●			
M Mobility System (includes lifetime BMW Roadside Assistance for tire assistance)	●	●			
BMW Assist and Bluetooth® wireless communication for hands-free mobile phone ¹¹	○ ¹² /★ ¹²	●			

● = Standard

○ = Optional

★ = Included in optional Premium Package

□ = Included in optional Performance Package

◆ = Included in optional Cold Weather Package

△ = BMW center-installed accessory

¹¹ If so equipped.

¹² Must be ordered with optional on-board navigation system with M3 Competition Package.

¹³ BMW Maintenance Program covers all factory-recommended maintenance on all new MY 2004 and later BMW vehicles, as determined by the Service Interval Indicator, for 4 years or 50,000 miles, whichever comes first. Exclusions from coverage: gasoline, gasoline additives, windshield washer fluids and additives, lights, tires, wheels, wheel alignment, tire balancing and rotation. All work must be performed by an authorized BMW center. See the Service and Warranty Information booklet for more specific terms, conditions and limitations. Further information can be obtained from your local authorized BMW center.

¹⁴ Due to low-profile tires, please note: wheels, tires and suspension parts are more susceptible to road hazard and consequential damages. Performance tires not recommended for driving in ice and snow.

¹⁵ M Track Mode is a less intrusive mode for DSC. Drivers should exercise caution while driving with M Track Mode. Regular DSC mode is still available. Not available with cruise or multi-function steering wheel controls. Note: Please drive safely, observe all traffic and speed limit postings and always wear safety belts.

¹⁶ Aftersales items. Please see your authorized BMW center for additional information.

Technical Data

Weight		M3 Coupe	M3 Coupe w/Competition Package	M3 Convertible
Unladen	lbs	3415	3415	3781
Weight distribution, front/rear	%	50.3/49.7	50.3/49.7	49.9/50.1
Engine				
Liters/type/valves		3.2/inline 6/24	3.2/inline 6/24	3.2/inline 6/24
Displacement	cu cm	3246	3246	3246
Bore/stroke	in	3.43/3.58	3.43/3.58	3.43/3.58
Nominal output/rpm	hp	333/7900	333/7900	333/7900
Max torque/rpm	lb-ft	262/4900	262/4900	262/4900
Fuel grade		Premium unleaded	Premium unleaded	Premium unleaded
Brakes				
Front/rear	in	12.8/12.9	13.6/12.9	12.8/12.9
Wheels				
Tire dimensions (performance tires ¹)	front rear	225/45R-18 255/40R-18	225/40R-19 255/35R-19	225/45R-18 255/40R-18
Wheel dimensions	front/rear	18 x 8.0/18 x 9.0	19 x 8.0/19 x 9.5	18 x 8.0/18 x 9.0
Material		Light cast alloy	Lightweight alloy	Light cast alloy
Transmission				
Manual gear ratios				
I/II/III	:1	4.23/2.53/1.67	4.23/2.53/1.67	4.23/2.53/1.67
IV/V/VI/R	:1	1.23/1.00/0.83/3.75	1.23/1.00/0.83/3.75	1.23/1.00/0.83/3.75
Final drive ratio	:1	3.64	3.64	3.64
SMG gear ratios				
I/II/III	:1	4.23/2.53/1.67	4.23/2.53/1.67	4.23/2.53/1.67
IV/V/VI/R	:1	1.23/1.00/0.83/3.75	1.23/1.00/0.83/3.75	1.23/1.00/0.83/3.75
Final drive ratio	:1	3.64	3.64	3.64
Performance				
Drag coefficient	C _d	0.33	0.33	0.35
Top speed ²	mph	155	155	155
Acceleration 0-60 mph	sec	4.8 ³	4.8 ³	5.4 ⁴
Fuel Consumption⁵				
6-speed manual transmission				
City	mpg	16	16	16
Highway	mpg	24	24	23
6-speed SMG transmission				
City	mpg	16	16	16
Highway	mpg	23	23	22

¹ Due to low-profile tires, please note: wheels, tires and suspension parts are more susceptible to road hazard and consequential damages. Performance tires not recommended for driving in ice and snow.

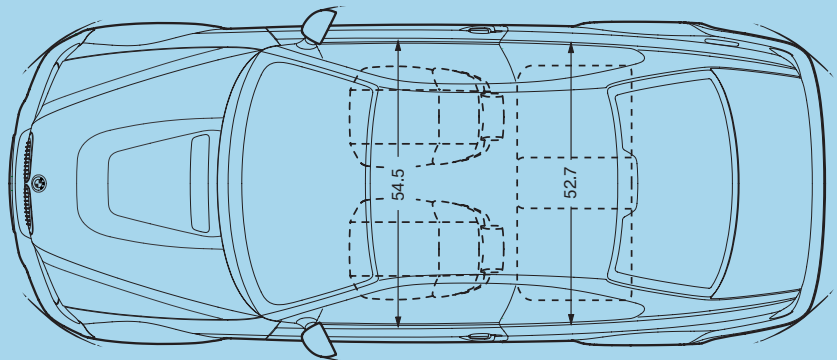
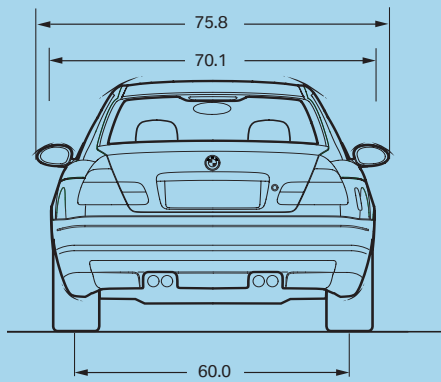
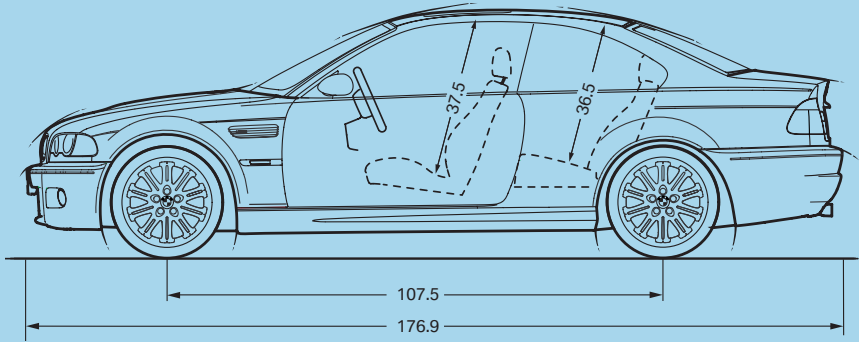
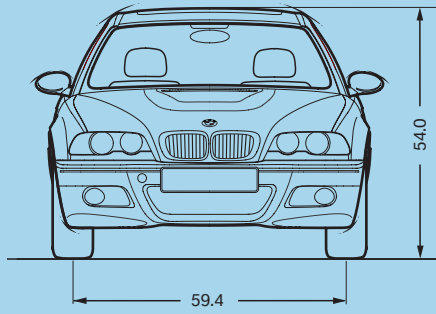
² Top speed limited electronically.

³ BMW of North America, LLC test results.

⁴ BMW AG test results. Actual acceleration results may vary, depending on specification of vehicle; road and environmental conditions; testing procedures and driving style. These results should be used for comparison only and verification should not be attempted on public roads. **BMW urges you to obey all posted speed laws and always wear safety belts.**

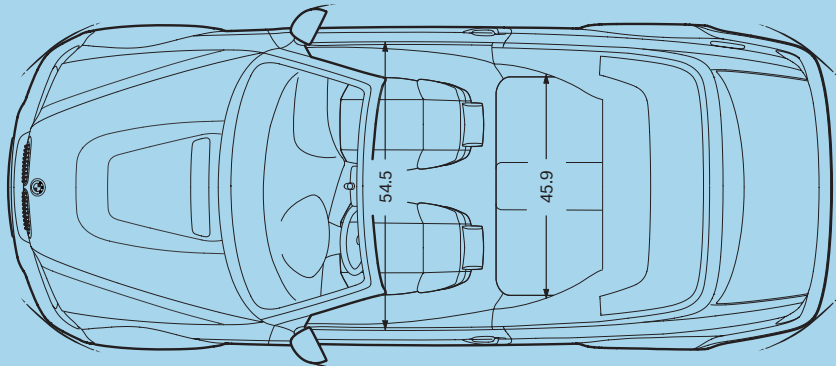
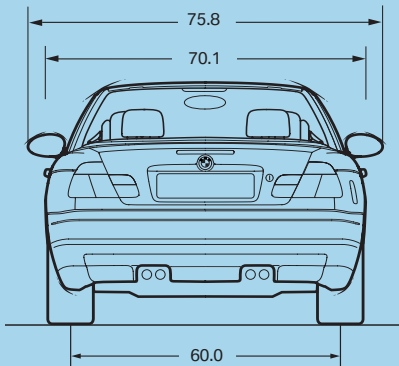
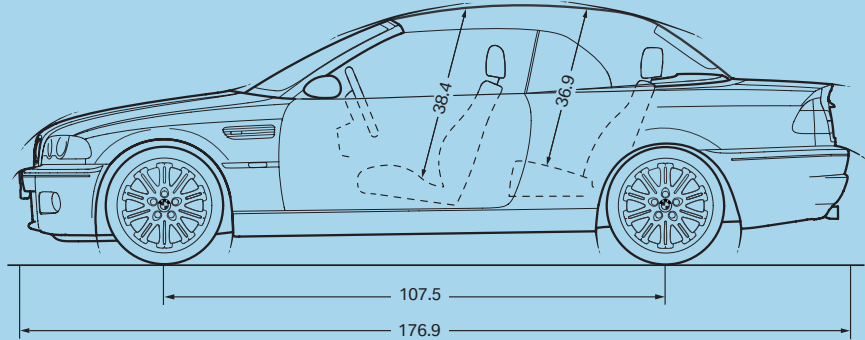
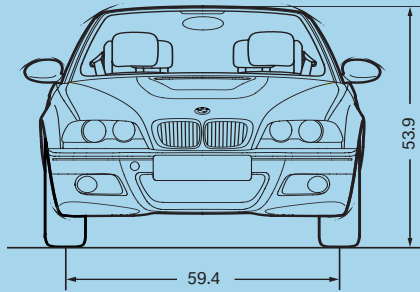
⁵ EPA-estimated figures are for comparison purposes only. Your actual mileage will vary, depending on speed, driving habits, trip length and driving conditions; actual mileage will most likely be lower.

M3 Coupe



All illustration dimensions shown in inches.

M3 Convertible



All illustration dimensions shown in inches.

U.S. Importer: BMW of North America, LLC, Woodcliff Lake, NJ 07677. All illustrations and specifications contained in this brochure are based on the latest product information available at the time of printing. BMW reserves the right to make changes at any time, without notice, in colors, materials, equipment, specifications and models. BMW may, subject to legal requirements, determine the Model Year designation of its vehicles. The Model Year designation on any particular model may be longer or shorter than 12 months. Some vehicles pictured may contain non-U.S. equipment. Some models may be shown with optional equipment. While BMW NA makes all reasonable efforts to provide accurate information in this brochure, there is no

guarantee or warranty of accuracy. Furthermore, we do not assume any liability for the accuracy or completeness of information presented. This brochure shall not be used or relied upon as a substitute for information that is available from your BMW center. Further information can be obtained from your authorized BMW center or bmwusa.com.

©2005 BMW AG, Munich/Germany. Not to be reproduced wholly or in part without written permission of BMW AG, Munich. The BMW name and logo are registered trademarks.