

General Specifications



NEW FORD COURIER

STANDARD FEATURES	Diesel	Petrol	Diesel
Courier three-seater cab	Styleside Pick-Up	Chassis Cab	
Transmission			
5 speed floor mounted manual	•	•	•
Exterior Features			
Laminated windscreen	•	•	•
Double skinned pick-up body	•	•	•
Rear window cab guard	•	•	•
Tie down hooks and rails	•	•	•
Tailgate release — centre handle	•	•	•
Halogen headlamps	•	•	•
Exterior rear view mirrors	•	•	•
Lockable fuel filler flap	•	•	•
Tyres 185R×14C radials	•	•	•
Pressed steel wheels — 5J×14	•	•	•
Corrosion protection package	•	•	•
Interior Features			
Speedometer with odometer	•	•	•
Temperature and fuel gauges	•	•	•
Warning lamps (turn signal, hazard, high beam, alternator oil pressure, brake fail and coolant)	•	•	•
Warning lamps (sedimeter and glow plugs)	•	•	•
AM radio, one speaker	•	•	•
Two speed and intermittent windscreen wipers	•	•	•
Ashtray with cigar lighter	•	•	•
Interior lamp	•	•	•
Moulded foam bench seat	•	•	•
Low maintenance vinyl trim	•	•	•
Vinyl floor mat	•	•	•
Driver's footrest	•	•	•
Interior day/night mirror	•	•	•
Ram air ventilation	•	•	•
Fan boosted ventilation	•	•	•
Heater	•	•	•
Sun visors	•	•	•
Tool kit	•	•	•

TECHNICAL SPECIFICATIONS

Engine	2.2L Petrol	2.2L Diesel
Configuration	14-OHC	14-OHC
Displacement (cc)	2184	2184
Bore/Stroke (mm)	86/94	86/94
Compression Ratio	8.6	22.9
Max. Power (Din kW/RPM)	68/4500	64/4000
Max. Torque (Din Nm/RPM)	171/2500	135/2000
Max Gradeability (*fully laden)	18	18
Fuel Tank Capacity (litres)	66	66
Transmission		
Type	5 speed forward. All synchromesh 1 reverse. Floor mounted shift	
Gear Ratios	1st 2nd 3rd 4th 5th Reverse	
	4.451 2.686 1.589 1.000 0.856 4.292	
Clutch		
Type	Single dry plate, diaphragm spring	
Diameter (mm)	225×150	
Steering		
Type	Manual variable ratio recirculating ball	
Ratio	21 to 25.1	
Turns — lock to lock	4.57	
Turning Circle (m)	12.0 (wall to wall)	
Brakes		
Type	Dual circuit with 23 cm vacuum servo assisted booster and Load Sensing Gravity Valve (LSGV)	
Front	Ventilated disc	
Rear	Self adjusting, duo servo drum	
Park Brake	Mechanical, dash mounted	
Suspension		
Front	Fully independent single wishbone and I beam, torsion bar springs and double action shock absorbers.	
Rear	Two-stage, semi-elliptic leaf-springs and splayed telescopic shock absorbers. Semi-floating hypoid rear axle.	



TOUGH SON OF A TRUCK



TOUGH
SON OF A TRUCK

Optional equipment and dimensional data

OPTIONAL EQUIPMENT Available at extra cost

Integrated Air Conditioning*
Rear step bumper - Argent Colour

Styleside Pick-Up	Chassis Cab
•	•
•	•

*Available through your Ford Dealer

DIMENSIONAL DATA

VEHICLE WEIGHTS (kg)

Gross Vehicle Weight
Kerb Weight
Payload*
Maximum Trailer Weight
Without trailer brakes
With trailer brakes

Styleside Pick Up	Chassis Cab	
	2.2L Diesel	2.2L Petrol
2495	2465	2495
1295	1110	1145
1200	‡	‡
450	450	450
900	900	900

*Payload is defined as GVM less kerb weight. Kerb weight includes all fluids, full fuel tank, less driver and passenger.

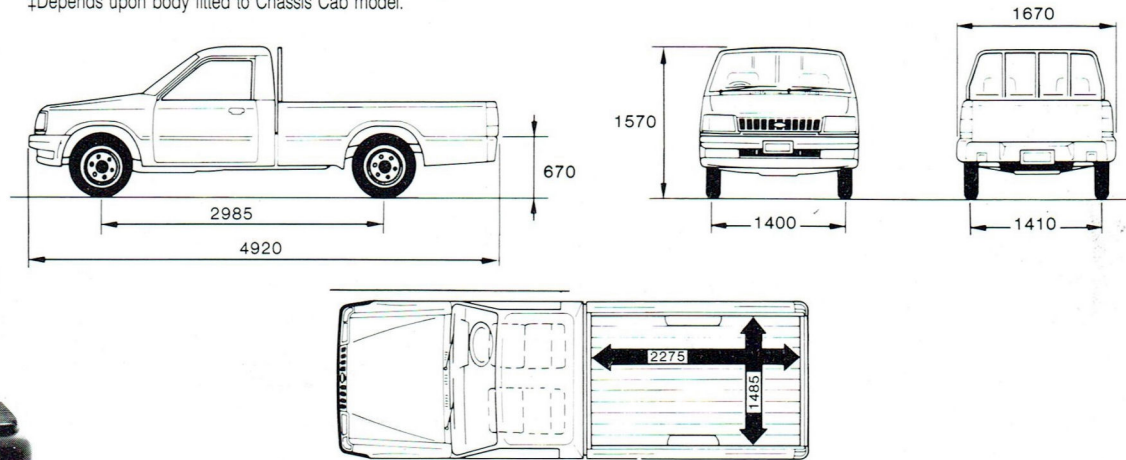
‡Depends upon body fitted to Chassis Cab model.

EXTERIOR DIMENSIONS (mm)

	All Models
— Overall Length	4920
— Overall Width	1670
— Overall Height	1570
— Wheelbase	2985
— Front Track	1400
— Rear Track	1410
— Front Overhang	755
— Rear Overhang	1180
— Rear Overhang (Chassis Cab)	975

LOAD AREA (mm) STYLESIDE PICK-UP

— Load Length (at floor)	2275
— Load Width (at floor)	1485
(at top)	1445
(at wheel arches)	1090
— Rear Opening Width	1305
— Rear Opening Height	395
— Floor Height to Ground	670



About this specification sheet. This sheet is designed to provide you with selected specification data for the Ford Products which have been described in a general way in the relevant brochure. Because of changes in conditions and circumstances Ford* reserves the right, subject to all applicable laws, at any time, at its discretion, and without notice to discontinue or change the features, designs, materials, colours and other specifications and the prices of its products, and to either permanently or temporarily withdraw any such products from the market without incurring any liability to any prospective purchaser or purchaser.

Because of variations which occur in manufactured products, all capacities, measurements, dimensions and weights quoted in the relevant brochure and this specification sheet should be taken as approximate only. Always consult an Authorised Ford Dealer for the latest information with respect to features, specifications, prices, optional equipment and availability before deciding to place an order.

*FORD MOTOR COMPANY OF AUSTRALIA LIMITED
(Incorporated in Victoria)
Registered office: 1735 Sydney Road, Campbellfield, Victoria, 3061.



Printed March 1988