

Mercedes-Benz USA, LLC
One Mercedes Drive
Montvale, NJ 07645
1-800-FOR-MERCEDES
MBUSA.com

© 2012 Mercedes-Benz USA, LLC
A Daimler Company

All illustrations and specifications contained in this brochure are based on the latest product information available at the time of publication. Actual product offerings may vary from those shown or may be subject to availability delays or discontinuance. Mercedes-Benz reserves the right to make changes at any time, without notice, in colors, materials, equipment, specifications and models. Any variations in colors shown are due to reproduction variations of the printing process. Illustrations may include test situations. Some vehicles may be shown with non-U.S. equipment. Vehicles are shown with optional equipment.

Unsecured cargo can become hazardous in a collision. Always secure cargo using the floor-mounted tie-down hooks. Cargo nets and organizers are not intended to prevent objects of excessive weight and bulk from sliding or rolling in the event of a collision or sudden stop. Always drive with caution when driving with cargo.

Certain accessories may require professional installation and/or additional components to complete the installation in your vehicle. Please consult your authorized Mercedes-Benz dealer for specific information about automotive accessories. Speak with a representative at your local authorized Mercedes-Benz dealership for current pricing on Genuine Mercedes-Benz Accessories. Visit mbusa.com/genuineaccessories for more information.

Printed in the Federal Republic of Germany
ACC-12-X2041-12000 (06/12)



Genuine Mercedes-Benz Accessories
for the GLK-Class.



Mercedes-Benz

Content

04

APPEARANCE

Light-Alloy Wheels
Exterior
Interior

12

ELECTRONICS

iPad® Docking Station
Rear-Seat Entertainment
SD Memory Card
Navigation Map Update
In-Vehicle Hotspot
Becker® MAP PILOT

18

UTILITY & CARE

Carrier Systems
Cargo Management
Car Utility
Car Care
Child Safety Seats

28

Quality & Safety

30

Index



A strong character

Your GLK leaves a lasting impression. Our wide selection of newly-designed light-alloy wheels and expressive styling accessories allow you to put your own individual stamp on the GLK.

Accessory wheels are only for specified tire sizes and may require the use of wheel bolts other than those originally supplied with your vehicle. Failure to use proper equipment could result in an accident or vehicle damage.

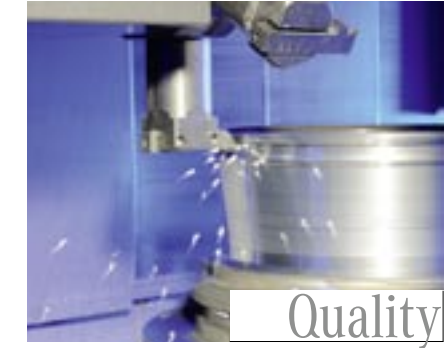
See your authorized Mercedes-Benz dealer for details and installation.

Not compatible with snow chains. Serious wheel and tire damage may occur if the vehicle is operated on rough or damaged road surfaces or upon encountering road debris or obstacles.

01 20" 12-Spoke 2-Tone Wheel
Finish: himalaya grey | polished
Wheel Size: 8 J x 20 ET 42
Tire Size: 235/45 R20
A204 401 0404 7X21

Option for rear axle*:
Wheel Size: 9 J x 20 ET 54
Tire Size: 255/40 R20
A204 401 0504 7X21

* Staggered wheel sizes are not compatible with 4MATIC all-wheel drive vehicles. 4MATIC vehicles must use front axle size on both front and rear axle.



The long road to perfection

Precision-tailored and impeccably styled for your GLK, Mercedes-Benz light-alloy wheels do so much more than enhance your vehicle's looks.

To help ensure safe travels, all wheel designs must pass a variety of endurance tests, based on exacting Mercedes-Benz standards. These include special test routines which simulate real challenges on the road and material tests in cutting-edge x-ray facilities. High-sheen wheels undergo additional durability testing, such as exposure to highly corrosive salt spray.

Only after these wheels have passed rigorous testing may they be included in the range of Genuine Mercedes-Benz light-alloy wheels offered to you, allowing you to hit the open road with confidence.



01 | 20"

Appearance

Light-Alloy Wheels

Appearance

Light-Alloy Wheels



01 20" 5-Double Spoke 2-Tone Wheel

Finish: black | polished

Wheel Size: 8.5 J x 20 ET 45

Tire Size: 235/45 R20

A204 401 6202 7X23

Option for rear axle*:

Wheel Size: 9.5 J x 20 ET 57

Tire Size: 255/40 R20

A204 401 6302 7X23

02 19" 5-Spoke 2-Tone Wheel

Finish: himalaya grey | polished

Wheel Size: 7.5 J x 19 ET 47

Tire Size: 235/50 R19

A204 401 0204 7X21

Option for rear axle*:

Wheel Size: 8.5 J x 19 ET 52

Tire Size: 255/45 R19

A204 401 0304 7X21



03 19" 5-Spoke Wheel

Finish: tremolite metallic

Wheel Size: 7.5 J x 19 ET 47

Tire Size: 235/50 R19

A204 401 8902 7X28

Option for rear axle*:

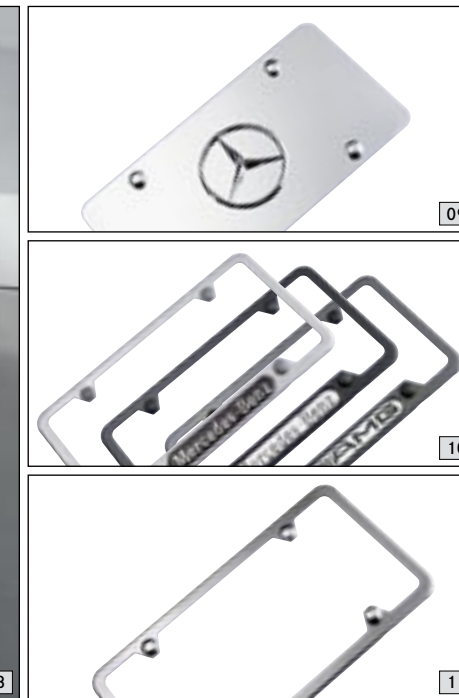
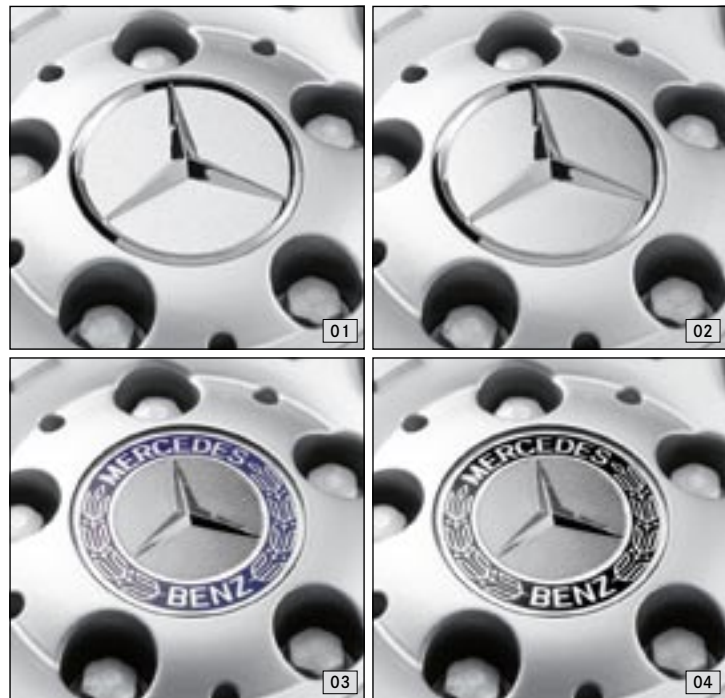
Wheel Size: 8.5 J x 19 ET 52

Tire Size: 255/45 R19

A204 401 9302 7X28



* Staggered wheel sizes are not compatible with 4MATIC all-wheel drive vehicles. 4MATIC vehicles must use front axle size on both front and rear axle.



01-05 Wheel Hub Inserts
 Add an attractive finishing touch to your wheels with these inserts. Various styles available:

- 01 Sterling silver with chrome Three-Pointed Star
- 02 Titanium silver with chrome Three-Pointed Star
- 03 Classic Star & Laurel design in blue
- 04 Classic Star & Laurel design in black
- 05 Black with chrome Three-Pointed Star
 Himalaya grey | not shown

06 Wheel Locks
 Wheel locks can provide a subtle yet effective security touch to your GLK, helping to protect your light-alloy wheels and tires from theft. One set secures four wheels. Includes coded key.

07 Tire Valve Stem Caps
 A perfect finishing touch, these chrome plated valve stem caps dress up any wheel. Each a set of four. Available in black, silver or AMG designs.

08 Trunk Handle
 Made of stainless steel in polished or satin finish, this handle attaches to the license plate and trunk lid to help prevent fingerprints and reduce the possibility of scratching the finish on your GLK. Also available with elegantly laser-etched Mercedes-Benz name.

09-11 License Plate Frames
 Choose from several quality stainless steel designs in an assortment of durable finishes to enhance the appearance of your license plates without blocking registration tags. Design styles include: Mercedes-Benz frame, Slimline frame, AMG Logo frame, and Star Marque solid plate. Please see Index for finish options for each design.

09 Marque Plate with Star logo
10 Nameplate Frames Mercedes-Benz (Polished, Black Powder Coat) and AMG (Carbon Fiber)
11 Slimline Frame (Black Pearl)

Appearance

Exterior
Interior



01 Roof Spoiler
Elegantly elongates the roof line of your GLK.

02 Chrome Roof Trim
Add an additional touch of chrome with our Chrome Roof Trim. Comes in a set of four. Two versions available to fit vehicles with or without panoramic sunroof.

03 Chrome Strip for Rear Tailgate

04 Side Running Boards
Add a touch of form and function to your GLK-Class with our stainless steel running boards. Step surface has a brushed metal appearance dotted with rubber grips which helps prevent slipping.

05 Chrome Door Handle Inserts
Help protect your finish from scratches and add a touch of style with a set of four chrome door handle inserts.

06 Illuminated Door Sills
Light-up your GLK-Class in eye-catching style each time you open the front door with these luminous blue-colored "Mercedes-Benz" stainless steel door sills. Available for front door sills only.



Entertainment value

Whether you're driving along the highway or heading off road, you can rely on the extensive range of genuine electronic accessories such as iPad® integration, Rear Seat Entertainment System, Navigation, and internet connectivity to keep you and your passengers in the best of moods.



IPAD® DOCKING STATION

01 iPad® Docking Station

Mobile entertainment with your GLK-Class and your iPad®: Watch movies, play music, view pictures, play games, surf the internet, all from the convenience of your iPad® without having to hold it in your hands. The Mercedes-Benz iPad® Docking Station securely holds your iPad® in place behind the passengers' headrests. Enjoy a high-speed connection in conjunction with the Mercedes-Benz In-Vehicle Hotspot. Not only will your iPad® be held securely in place, the docking station also provides charging capability to ensure you stay connected on the road. For optimum viewing, the iPad® Docking Station can be rotated up to 90 degrees and be tilted. Available for iPad®, iPad 2® and iPad 3®.

Docking station sold individually for one iPad®. Not in conjunction with Rear-Seat Entertainment System (Code 864). iPad® is a registered product of Apple Inc. All devices sold separately. iPad® Docking Station also charges iPad® devices which support USB charging only (Not available with clip-on version).

02 iPad® Docking Station (clip-on)

The mount for your iPad®, iPad 2® or iPad 3® is simple to attach to the head restraint posts and can be removed at any time. The mount tilts and can be rotated around 90°. Openings at the side ensure that all of your iPad®'s connection points are still accessible.



Electronics

iPad® Docking Station

REAR-SEAT ENTERTAINMENT

Being a passenger has never been so entertaining.

01 Rear-Seat Entertainment System

This high-performance entertainment system allows the rear passengers to watch DVDs, look at their favorite pictures and even play video games. Two superb 7" LCD color screens are mounted to the back of the seat just behind the headrest to eliminate driver distraction, function independently with integrated DVD players and are able to play two different movies or music choices simultaneously, allowing each rear passenger to select their own individual entertainment.

Wireless noise-reduction headphones allow for tangle-free operation, easy storage and less noise distraction for the driver. A wide range of popular media formats are supported for image, music and video files. The USB and SD card interfaces allow further storage media to be connected with the Rear-Seat Entertainment System.

A range of multimedia connections, two sets of infrared headphones and a remote control included – the Rear-Seat Entertainment System offers everything you need for in-car entertainment.



02 SD Memory Card

The COMAND system in your GLK -Class features a slot for SD Memory Cards. Use the SD Memory Card as a convenient way to play music, view pictures and more. Can also be used in other compatible devices such as digital cameras.

Card capacity: 2 GB | Read speed: 12.5 MB/s | Write speed: 5.5 MB/s



MERCEDES-BENZ NAVIGATION MAP UPDATE

More than a Map™

03 Navigation Map Update

The Mercedes-Benz COMAND Navigation System is a fully integrated system that combines Global Positioning System (GPS) technology with electronic mapping software to help you plan trips, navigate detours and avoid getting lost. GPS satellites continuously track your vehicle's location and the system relies on mapping information in order to give you the most accurate and efficient routes.

Notice however, how quickly the surroundings change: roads are added or diverted, restaurants open and close, hotels and hospitals are built, ATMs move. In fact, as much as 20 percent of the navigation data the system relies on changes every year. That is why Mercedes-Benz offers reliable, and updated navigation data to help get you where you need to go effortlessly. The Navigation Map Updates are available for purchase from your authorized Mercedes-Benz dealer. The system can route you through more than 6.2 million miles of navigable roads in the United States and Canada. Just enter the address on the intelligent destination input screen, and the system takes over, guiding you audibly and with a clear and detailed 7" LCD map display. Do you need an idea of where to go? The Navigation System also offers 2.3 million Points of Interest in 70 categories including ATMs, restaurants, hotels, airports, museums and more.



Navigation system data includes the United States, Canada, Puerto Rico, Hawaii and Virgin Islands. Directional assistance provided only when GPS coverage is available. Maps do not cover all areas nor all routes within an area. While the navigation system provides directional assistance, the driver must remain focused on safe driving behavior, including paying attention to traffic and street signs. The driver should utilize the system's audio cues while driving and should only consult the map or verbal displays once the vehicle has been stopped in a safe place. See your authorized Mercedes-Benz dealer for availability and details.

Electronics

Rear-Seat Entertainment
SD Memory Card
Navigation Map Update

MERCEDES-BENZ IN-VEHICLE HOTSPOT

Take the Internet Anywhere on the Road

01 Mercedes-Benz In-Vehicle Hotspot

Checking your email and browsing the web is not a problem when you're in the office or from the convenience of your home. However, this is a different story when you're traveling on the road. With the Mercedes-Benz In-Vehicle Hotspot you can add internet connectivity to your vehicle. The In-Vehicle Hotspot allows you to connect up to four wireless end devices such as a laptop, tablet PC, or mobile device at the same time for a fast and secure internet connection. The router is securely installed and easily accessible. An encrypted password ensures limited access to your wireless connection.

Requires an initial activation fee and monthly service subscription.



The hotspot allows you to connect up to four wireless end devices such as a laptop, tablet PC, or mobile device at the same time for a fast and secure internet connection.

01

BECKER® MAP PILOT

02 Becker® MAP PILOT

For models with the standard radio and 5.8" color-LCD screen, the new Becker® MAP PILOT adds an advanced, fully integrated navigation upgrade to the in-dash display and controls. Operation is seamless and simple, using the vehicle's standard central controller and steering-wheel controls. You can input destinations and stopovers using intuitive menus, or even your voice. Vivid maps and detailed information, including optimal lane recommendations, are displayed on the central screen, while the driving instructions can also be shown on the standard menu display in the instrument cluster. This allows you to use either screen for other functions while keeping your navigation information easily in view. To

help assure the quickest journey, the latest traffic and route information – with lifetime service provided by the Traffic Message Channel (TMC) – lets you base your route on current conditions and enjoy automatic updating along the way. The MAP PILOT's compact module is discreetly housed in the glovebox in a custom-fit cradle. Easy to update via the Web (at beckermappilot.com), the module removes from the cradle with a single motion and plugs into your laptop via a USB cable. Becker's 45-day "fresh map guarantee" helps ensure that your navigation data is up to date before you hit the road.

Requires optional factory pre-wiring.



02

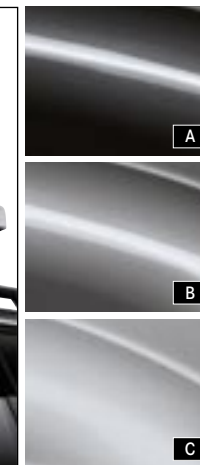
02

Electronics

In-Vehicle Hotspot
Becker® MAP PILOT

A sense of space

The interior of your GLK is impressively spacious. With carrier systems and load compartment accessories from Mercedes-Benz, your GLK offers you even more functionality and flexibility – whether you're going about your daily activities or heading off on vacation.



Boxes open on both sides for convenient loading and unloading.

01 Roof Rack Basic Carrier

Our basic carrier is an essential component for attaching a wide assortment of items to the top of your GLK-Class. After easy installation, you can securely attach bicycles, ski and snowboard racks, or a cargo container. (Racks and containers sold separately.)

02 Roof Cargo Containers

Create additional space for sports equipment and luggage with one of our aerodynamic, high quality roof containers designed to nicely complement your GLK-Class. Constructed of lightweight, yet exceptionally durable, impact tested thermoplastic material. Features pressurized struts for easy lid operation and a security lock. Large model holds 16 cubic feet. Available in black metallic [A] matte silver [C]. Small model holds 11.5 cubic feet. Available in titanium metallic [B] and matte silver [C]. All models have a maximum load capacity of 110 lbs. Requires Roof Rack Basic Carrier (sold separately).

03 Luggage Set for Roof Cargo Container

This set of four sporty and functional bags is designed to fit inside our Small Roof Cargo Containers. The Luggage Set for the Large Roof Cargo Container additionally includes two bags for two pairs of skis each. Made from durable, weather resistant materials. Shoulder straps included. (Luggage Set and Roof Cargo Containers sold separately.)

04 Ski Rack Insert for Roof Cargo Containers

05 Roof Rack Basic Carrier Storage Bag

Protect your Roof Rack Basic Carrier in this nylon bag when not attached to your GLK-Class.



Utility & Care

Carrier Systems

01 Ski & Snowboard Rack, Standard

This rack is made to tote up to four pairs of skis or two snowboards atop your GLK-Class. Requires Roof Rack Basic Carrier (sold separately).

02 Ski & Snowboard Rack, Deluxe

This rack holds up to six pairs of skis or four snowboards and features a pull-out function that makes it easier for loading and unloading without the need to reach across the roof of the car. Requires Roof Rack Basic Carrier (sold separately).



03 Bicycle Rack | For Roof Rack Basic Carrier

This rack securely holds your bicycles and attaches to the Roof Rack Basic Carrier (sold separately). Up to 3 racks can be mounted simultaneously.

04 Spiral Lock Set

Available to help secure your bicycle (sold separately).





01

01 Wire Mesh Dividers

Versatile and sturdy, these metal dividers easily partition the cargo area of your GLK-Class from the passenger space or in half side-to-side. Attaches to existing mounting points in the vehicle. Luggage compartment and lateral dividers (each sold separately).

02 Cargo Divider Bars

Partition your load compartment to suit your requirements and help prevent contents from sliding around. The brackets can be freely positioned along the outer edges of the load floor and the system's telescopic bar provides a secure hold.

03 Cargo Area Tray & Cargo Box

Protect the cargo area of your GLK-Class with this large tray with 2" sides. Formed from durable, easy-to-clean plastic to fit your vehicle. Use up to two optional Cargo Boxes to support and keep in place tall objects, such as grocery bags. Cargo Box sold separately.



02



03



04

04 Cargo Area Container

An alternative to the cargo area tray, our cargo area container has higher side walls to provide even greater protection for your vehicle. Formed from durable, easy-to-clean plastic.

05 Reversible Cargo Mat

This non-slip mat pulls double duty to protect the interior carpet of your GLK-Class with a smooth, firm side and a soft fabric side. Constructed of highly durable 100% polyester.

06 Cargo Nets, Floor/Loading Sill/Rear

Versatile and convenient, strong and durable nylon nets help you secure objects in the back of your GLK-Class. Rear net may be attached to the loading sill. Each net is sold separately.

07 Collapsible Shopping Crate

Make your next trip to the market more convenient with this collapsible shopping crate. To save space, it folds flat when not in use. Dimensions folded: 2" x 13" x 18".

08 Flexible Cargo Stabilizer

This durable nylon and velcro-clad piece of foam offers firm lateral hold and helps protect objects from sliding around under normal driving conditions. Measures 36" x 2" x 2".



05



06



07 08



01

01 Mud Flaps

Designed to match the contours of your GLK-Class, these durable formed black plastic mud flaps will help protect your vehicle from road debris, rock and salty road spray. Available in pairs for the front and the rear.



02

02 All-Season Floor Mats

Rugged and durable, these Honeycomb-Style Mats are custom-designed to provide protection for your vehicle's interior. Built from hardwearing TPE, their robust construction provides the ideal combination of style and functionality. Available in black and beige (not shown).



03

03 Coat Hanger

Robust coat hangers made from chromed metal. Easy to attach to front headrests. The ideal way to transport clothing without creasing them. (For safety, remove when passenger in rear seat.)



04

04 Battery Trickle Charger

For those extended periods when your GLK will not be used, this charging device will help ensure that your battery is fully energized when you need it.



05

05 Car Cover

This UV-resistant 3-layer cover helps protect the finish of your GLK-Class from the elements. Made from breathable Noah® fabric, it combines an excellent fit with durable construction. (Lock and cable available separately.)



06

06 UVS-100™ Sunshade

Helps keep the inside of your GLK-Class cool, while protecting the interior all year long from harmful UV rays. Practical and durable. Made of reflective fabric laminated to a foam core.



07

07 Car Care Kit, Interior

Keep the interior of your Mercedes-Benz looking its best with the superior, specially formulated products in our exclusive Interior Car Care Kit. Includes Cabin Care Spray, Glass Cleaner, Auto Glass Sponge and a Car Care Cloth, all neatly packed into a Mercedes-Benz Leisure Bag.



08

08 Car Care Kit, Exterior

Clean and protect your Mercedes-Benz with the superior, specially formulated products in our exclusive Exterior Car Care Kit. Includes Car Shampoo, Light-Alloy Wheel Cleaner with brush, Car Sponge and a Car Care Cloth, all neatly packed into a Mercedes-Benz Leisure Bag.

Utility & Care

Car Utility
Car Care

Utility & Care

Child Safety Seats



BabySmart/OCS Safety Information: Most Mercedes-Benz vehicles from MY 1998 through 2003, select models from 2004 through 2006, and current G-Class vehicles are equipped with BabySmart™. Mercedes-Benz vehicles equipped with BabySmart™ have a device that recognizes the presence of BabySmart™-equipped child seat when properly installed in the front passenger seat and deactivates the passenger front air bag (check your vehicle's Operator's Manual or labels located on the sides of your dashboard to verify).

All current Mercedes-Benz models are equipped with the Occupant Classification System (OCS) (with exception of the G-Class) which is designed to turn off the front passenger's front airbag when the system senses the weight of a typical child 12 months old or less plus the weight of a standard child restraint. See vehicle's operators manual for important additional information on this system and further information regarding the transportation of children heavier than a typical 12 month old.

All Mercedes-Benz child safety seats meet or exceed U.S. Department of Transportation standards. They are also suitable for use in older vehicles that do not have integrated LATCH (Lower Anchors and Tethers for Children) attachment points. Visit the National Highway Traffic Safety Administration's website at <http://www.NHTSA.gov> for additional information about child safety seat laws and proper use.



up to 29 lbs.
approx.
to 15 months



20 to 40 lbs.
approx.
1 to 4 years



33 to 79 lbs.
approx.
3.5 to 12 years



01 BabySafe Plus Infant Seat (up to 29 lbs.)

Deep, molded rear-facing seat design provides extra protection and padding designed to help protect very young children up to 29 lbs. or 31 in. long. Features integrated head support, adjustable sun/wind canopy, comfortable 3-position carry handle, and variable recline angle adjustment. Light grey fabric cover is removable for washing. Can be used in the vehicle with or without the base. Approved for use in commercial aircrafts. Weighs less than 8 lbs. This seat is BabySmart* compatible and LATCH* compatible with provided LATCH belt*.

02 DUO Plus Toddler Seat (20 to 40 lbs.)

Designed to afford excellent protection for children approximately 1 to 4 years of age. Features include single-handed adjustment to change from the upright position to the reclined and sleeping positions, height-adjustable shoulder belt, back area ventilation channels, and an additional tether for securing the top section. Fabric cover is removable for washing. This seat is LATCH* and BabySmart* compatible.

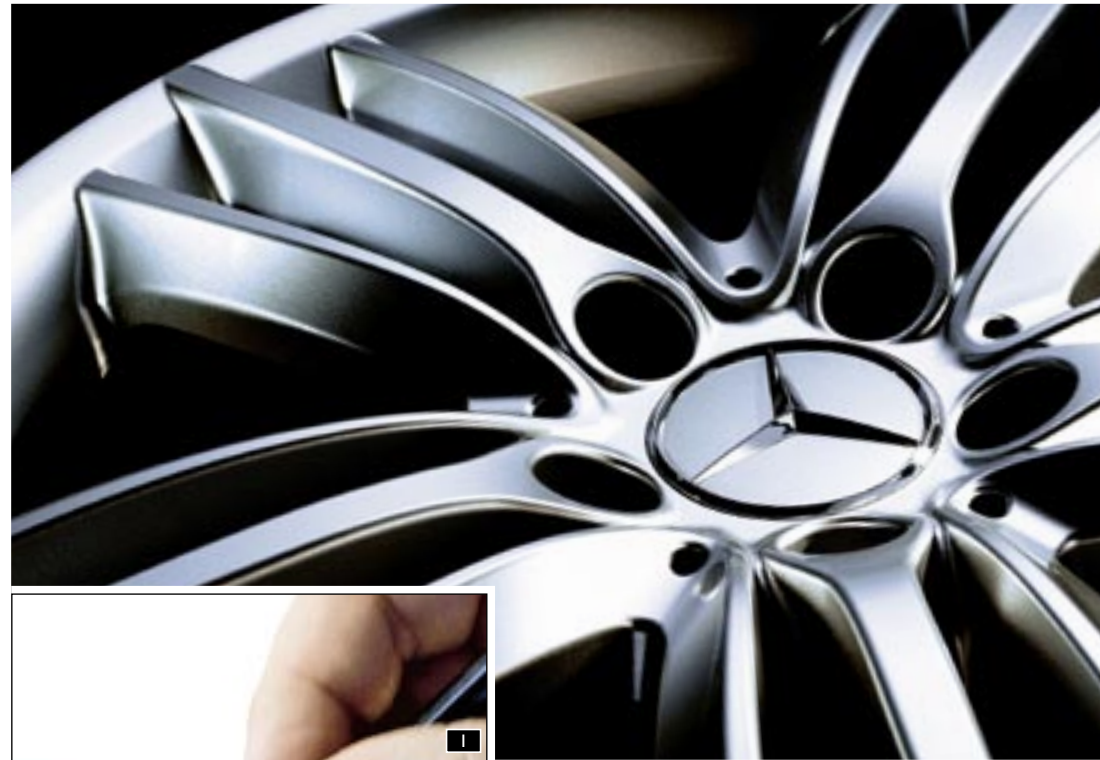
03 KidFix Child Seat (33 to 79 lbs.)

Booster seat for optimum side-impact protection, with height-adjustable backrest. The "KidFix" seat is secured using the 3-point seat belt and ISOFIX attachment points. Available with automatic child seat recognition as an option. For children between the ages of around 3.5 and 12.

*Please consult your owner's manual or dealer for proper installation of your child seat.

Mercedes through and through

When you drive a Mercedes-Benz, you do so for the best of reasons. Why should your choice of accessories be governed by different standards? Pioneering when it comes to design and technology, Genuine Mercedes-Benz Accessories deliver on the promises of a major brand.



I. Design & Development

Genuine Mercedes-Benz Accessories make your dream car a reality – while ensuring that it remains a Mercedes-Benz through and through:

- Individualization options are developed in accordance with the Mercedes-Benz car design philosophy.
- The use of CAD data from Mercedes-Benz Vehicle Development ensures precision-fit accessories.

II. Quality & Safety

When it comes to Mercedes-Benz vehicles, quality and safety are paramount. You can feel equally safe with Genuine Mercedes-Benz Accessories as a result of:

- Stringent safety measures and extensive load testing, including the use of crash test facilities and the wind tunnel.
- Harmonized development of both vehicle and Genuine Mercedes-Benz Accessories.



III. Function & Operation

Genuine Mercedes-Benz Accessories form part of the vehicle concept from the outset. This results in impressive functional solutions:

- Fully integrated telematics products can be operated safely and conveniently using the multifunctional steering wheel.
- Roof-mounted carrier systems can be fitted quickly and without the use of additional tools.
- Instructions and manuals are in standard format and easy to understand.



IV. Advice & Fitting

No one is as familiar with the ins and outs of your vehicle as our dealers. And the same goes for Genuine Mercedes-Benz Accessories:

- Contact your authorized Mercedes-Benz dealer for expert advice.
- Trust Mercedes-Benz specialists when it comes to fitting Genuine Mercedes-Benz Accessories.



Genuine Mercedes-Benz Accessories for the GLK-Class.

Light-alloy wheels are supplied without tires, wheel bolts or hub caps.

Item	P.	Part no.
All-Season Floor Mats (Black, Set of two)	24	BQ 668 0695
All-Season Floor Mats (Beige, Set of two)	24	BQ 668 0696
Battery Trickle Charger	24	A000 982 0221
Becker® MAP PILOT	17	A166 900 9608
Bicycle Rack for Roof Rack Basic Carrier	21	A000 890 0293
Car Care Kit, Exterior	25	A211 986 0100
Car Care Kit, Interior	25	A211 986 0000
Car Cover	25	see dealer
Cargo Area Container	23	A204 814 0641
Cargo Area Tray	22	A204 814 0541
Cargo Box	22	A000 814 0041
Cargo Divider Bars	22	A204 860 0134
Cargo Mat, Reversible	23	A204 680 0006
Cargo Net, Floor	23	A204 868 0774
Cargo Net, Loading Sill	23	A204 868 0874
Cargo Net, Rear	23	A204 868 1074
Chrome Door Handle Inserts (Set of 4)	11	A204 760 1270
Chrome Roof Trim, Long (Set of 4)	11	A204 780 0042
Chrome Roof Trim, Short (Set of 4)	11	A204 780 0142
Chrome Strip for Rear Tailgate	11	A204 740 0222
Coat Hanger	24	A000 814 0132
Collapsible Shopping Crate	23	B6 647 0995
Child Safety Seats		
BabySafe Plus Infant Seat (up to 29 lbs.)	27	B6 686 8214
DUO Plus Toddler Seat (20 to 40 lbs.)	27	B6 686 8219
KidFix Child Seat (33 to 79 lbs.)	27	A000 970 1500 9G43

Item	P.	Part no.
Flexible Cargo Stabilizer	23	B6 664 8220
Illuminated Door Sills	11	A204 680 6335
In-Vehicle Hotspot	16	BQ 682 9001
iPad® Docking Station	13	see dealer
iPad® Docking Station (clip-on)	13	see dealer
License Plate Frames		
AMG Frame (Black pearl coat stainless steel)	09	BQ 688 0091
AMG Frame (Carbon fiber faux stainless steel)	09	BQ 688 0099
AMG Frame (Polished stainless steel)	09	BQ 688 0087
Marque Plate with Star logo (Black powder coat stainless steel)	09	BQ 688 0059
Marque Plate with Star logo (Polished stainless steel)	09	BQ 688 0058
Mercedes-Benz Frame (Black pearl coat stainless steel)	09	BQ 688 0090
Mercedes-Benz Frame (Black powder coat stainless steel)	09	BQ 688 0088
Mercedes-Benz Frame (Polished stainless steel)	09	BQ 688 0086
Mercedes-Benz Frame (Satin stainless steel)	09	BQ 688 0100
Slimline Frame (Black pearl coat stainless steel)	09	BQ 688 0092
Slimline Frame (Black powder coat)	09	BQ 688 0104
Slimline Frame (Black powder coat stainless steel)	09	BQ 688 0007
Slimline Frame (Polished stainless steel)	09	BQ 688 0005
Slimline Frame (Satin stainless steel)	09	BQ 688 0101
Slimline Frame (Stainless steel)	09	BQ 688 0103

Item	P.	Part no.
Light-Alloy Wheels		
20" 12-Spoke 2-Tone Wheel (himalaya grey polished) 8 J x 20 ET 42; 235/45 R20	05	A204 401 0404 7X21 A204 401 0504 7X21
20" 5-Double Spoke 2-Tone Wheel (black polished) 8.5 J x 20 ET 45; 235/45 R20	06	A204 401 6202 7X23 A204 401 6302 7X23
20" 5-Spoke 2-Tone Wheel (himalaya grey polished) 7.5 J x 19 ET 47; 235/50 R19	07	A204 401 0204 7X21 A204 401 0304 7X21
19" 5-Spoke Wheel (tremolite metallic) 7.5 J x 19 ET 47; 235/50 R19	07	A204 401 8902 7X28 A204 401 9302 7X28
8.5 J x 19 ET 52; 255/45 R19 (rear axle)	19	A000 890 0511
Luggage Set for Roof Cargo Container (Large)	19	A000 890 0411
Luggage Set for Roof Cargo Container (Small)	19	A000 890 0411
Mud Flaps, Front, for vehicles with running boards	24	A204 890 0478
Mud Flaps, Front, for vehicles without running boards	24	A204 890 0578
Mud Flaps, Rear	24	see dealer
Navigation Map Update	15	see dealer
Rear-Seat Entertainment System	14	see dealer
Roof Cargo Container (Large, Black Metallic)	19	A000 840 3962
Roof Cargo Container (Large, Matte Silver)	19	A000 840 3762
Roof Cargo Container (Small, Matte Silver)	19	A000 840 4262
Roof Cargo Container (Small, Titanium Metallic)	19	A000 840 4362
Roof Rack Basic Carrier	19	A204 890 2393
Roof Rack Basic Carrier Storage Bag	19	A000 890 0111
Roof Spoiler, primed	11	A204 740 0122

Item	P.	Part no.
SD Memory Card	14	B6 782 3973
Side Running Boards (Set of 2)	11	A204 690 0675
Ski Rack Insert for Roof Cargo Containers, Large	19	A000 840 4818
Ski Rack Insert for Roof Cargo Containers, Small	19	A000 840 4718
Ski & Snowboard Rack, Deluxe	20	A000 890 0393
Ski & Snowboard Rack, Standard	20	A000 890 0493
Spiral Lock Set	21	see dealer
Tire Valve Stem Caps (AMG)	08	BQ 640 8127
Tire Valve Stem Caps (Black)	08	BQ 640 8126
Tire Valve Stem Caps (Silver)	08	BQ 640 8128
Trunk Handle (Polished Stainless Steel)	09	BQ 675 0004
Trunk Handle (Satin Stainless Steel)	09	BQ 675 0034
Trunk Handle with Mercedes-Benz laser-etching (Polished Stainless Steel)	09	BQ 675 0036
Trunk Handle with Mercedes-Benz laser-etching (Satin Stainless Steel)	09	BQ 675 0035
UVS-100™ Sunshade	25	see dealer
Wheel Hub Inserts		
Black with chrome Three-Pointed Star	08	B6 647 0200
Classic Star & Laurel design in black	08	B6 647 0201
Classic Star & Laurel design in blue	08	B6 647 0120
Himalaya grey	08	A220 400 0125 7756
Sterling silver with chrome Three-Pointed Star	08	B6 647 0206
Titanium silver with chrome Three-Pointed Star	08	B6 647 0203
Wheel Locks	08	B6 647 0155
Wire Mesh Divider, Luggage Compartment	22	A204 860 0242
Wire Mesh Divider, Lateral	22	A204 860 0142