

BMW 5 Series  
Touring



525iT  
540iT





Many leave behind their tracks.  
But just a few leave behind a lasting impression.





“He who preserves the ability to appreciate beauty  
will never grow old.” Franz Kafka





Sciacchi

There may be even more important things in life.  
But having time is one of the best things.





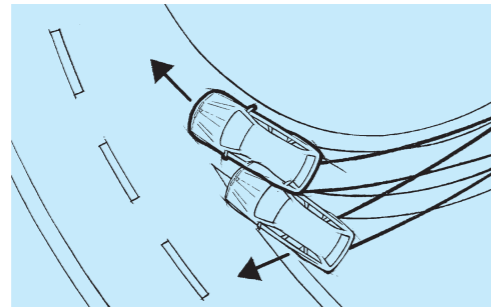


Some people have poise.  
So do some cars.





■ **Xenon headlights** illuminate the road ahead and to the side with brilliant clarity. These headlights also feature auto-levelling to adjust for varying passenger and cargo loads.



■ **Dynamic Stability Control (DSC III)** recognizes the risk of the car skidding very early and stabilizes the car within milliseconds.



■ **Heated steering wheel** is a welcome pleasure whenever there is a chill in the air. Switch is conveniently placed right on the steering wheel.



□ **Heated headlight washers** help keep lights clean of ice, mud, road salt and other coatings, for maximum road lighting and enhanced driving safety. (Standard on 540iT.)



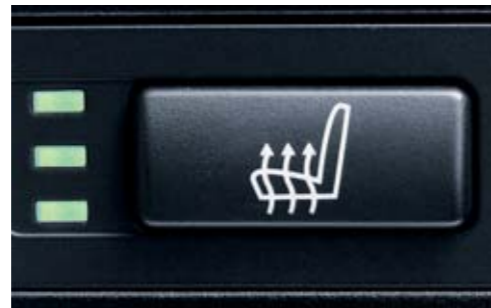
□ **Rain sensor** uses an infrared light to measure the amount of rain. When the wipers are in the "intermittent" mode, the rain sensor automatically adjusts the windshield wiping interval as needed. (Standard on 540iT.)



□ **Park Distance Control (PDC)** uses ultrasonic sensors in the front and rear bumpers to help you judge the distance to other cars and unseen objects when parking. The beeping becomes faster as your bumper approaches the object, turning into a constant tone when the distance is less than 30 centimetres.



■ **BMW Business CD** The BMW business CD offers an AM/FM radio with easy-to-use preset buttons. Listen to your favourite radio stations or insert a CD into the single CD player.



■ **Heated seats** are a welcome feature in cooler weather. With the touch of a button, you can individually select from three heat settings.



■ **Glass sunroof** allows natural light to enter the cabin. For convenience, it has a one-touch open and close feature with anti-trapping, as well as a tilt function for ventilating the inside of your car on hot summer days.



□ **Lumbar support** is electronically adjustable and provides the driver and front passenger with a high degree of seating comfort and effective spinal relief. The continuously variable air cushion system helps you adopt an orthopaedically correct seating position.



□ **M Multi-function leather sport steering wheel** offers highly convenient operation, increased safety and an ergonomical design that makes it fit especially well in the driver's hands.

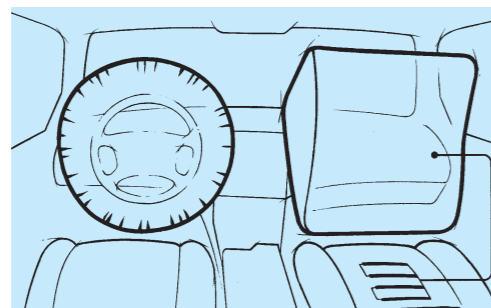


□ **On-board Navigation System** guides you conveniently and directly to your destination. In addition to providing driving instructions via voice, directional arrows or map display the system will provide destination-specific information.

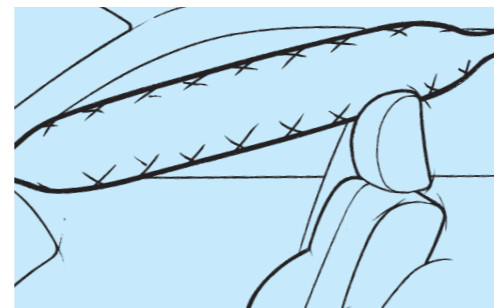


■ **Car memory** allows you to program a full range of individual settings and features on your car, including the Follow-Me-Home function.

**Key memory** allows you to set your preferred seat position of the electrically adjustable driver's seat. Furthermore, it is possible to set the automatic climate control to the interior temperature and air distribution to a specific key.



■ **Driver and front passenger airbags** protect your head and upper body in a frontal collision from hitting the steering wheel or instrument panel; depending on the severity of the impact, the airbags are inflated via a two-stage gas generator (impact-depending system); the front passenger airbag comes complete with a seat occupancy detector.



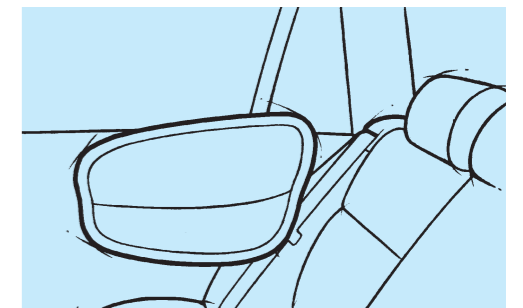
■ **ITS Head Protection System (HPS)** provides effective protection of both the head and upper body in the case of a side-on collision to both the front and rear passengers.



□ **Sport seats** are designed to offer optimum side hold in every driving situation, and thus even greater driving pleasure.



□ **Ski bag** helps to allow safe, clean transport of skis, ski poles and other long, thin objects. When not extended for use, the ski bag can be sorted out of sight.



□ **Rearside airbags** work in conjunction with the standard rear Head Protection System (HPS) to protect your upper body and head in a side-on collision; the side airbag significantly reduces the risk of injury at pelvic and chest level.

	525iT	540iT
<b>Performance and Efficiency</b>		
2.5-litre, 184-hp dual overhead cam (DOHC), 24-valve inline 6-cylinder engine with Double VANOS steplessly variable valve timing	●	–
4.4-litre, 290-hp 32-valve V8 engine, 4 overhead camshafts with VANOS steplessly variable valve timing	–	●
5-speed manual transmission	●	○
5-speed STEPTRONIC 3-mode (automatic/sport automatic/clutchless manual) transmission with Adaptive Transmission Control (ATC)	○	●
Digital Motor Electronics System (DME)	●	●
Direct ignition system	●	●
Low Emission Vehicle (LEV)	●	●
Performance rear axle ratio (3:15) and torque converter	–	●
<b>Handling, Ride and Braking</b>		
4-link integral rear suspension	●	●
4-wheel ventilated anti-lock disc brakes	●	●
Automatic Stability Control + Traction (ASC+T)	●	●
Double-pivot strut-type front suspension with forged aluminum lower arms, variable-diameter coil springs	●	●
Dynamic Brake Control (DBC)	●	●
Dynamic Stability Control (DSC III)	●	●
Engine-speed-sensitive power steering	●	●
Front and rear anti-roll (stabilizer) bars	●	●
Self-levelling rear suspension	○	●
Sport suspension (includes self-levelling)	○	○
Twin-tube gas-pressure shock absorbers	●	●
<b>Interior Seating and Trim</b>		
3-setting memory system for driver's seat, side-view mirrors, steering wheel position and safety belt height	●	●
10-way power front driver's seat with power headrests	●	–
12-way power sport seats with adjustable thigh support	○	○
16-way comfort seats (includes power adjustable lumbar support and articulated upper backrest)	–	●
Burr Walnut wood trim	–	●
Front and rear door storage compartments	●	●
High-gloss Vavona Redwood trim	○	○
Leather shift boot, handbrake boot and grip	●	●
Leatherette upholstery	●	–
Montana Leather upholstery and door trim	○	●
Power adjustable lumbar support for driver and passenger <sup>1</sup>	○	●
Power front passenger's seat with power headrest	●	●
Seatback storage compartments	●	●
Ski bag	●	●
Split-fold lockable rear seats	●	●

● Standard  
○ Optional  
– Not Available

<sup>1</sup> Not available with sport seats.

	525iT	540iT
<b>Exterior</b>		
16 x 7.0 Radial spoke alloy wheels, style 50, 225/55R-16 all-season tires	●	–
16 x 7.0 Radial spoke alloy wheels, style 48, 225/55R-16 all-season tires	–	●
17 x 8.0 Star spoke alloy wheels, style 81, 235/45R-17 performance tires	○	–
16 x 7.0 Cross spoke alloy wheels, style 42, 235/45R-17 performance tires	–	○
2-speed + intermittent windshield wipers with adjustable and car-speed-sensitive wiping interval, single-wipe control	●	●
Automatic tilt-down of passenger's side-view mirror (when car is shifted into reverse gear)	●	●
Halogen free-form foglights	●	●
Heated windshield-washer jets	●	●
High-gloss Shadow Line trim	–	○
High-pressure liquid headlight cleaning system	○	●
M Parallel spoke alloy wheels, 235/45R-17 performance tires	–	○
Metallic paint	●	●
Park Distance Control (front and rear)	●	●
Power adjustable, heated, body-colour side-view mirrors	●	●
Rain-sensing windshield wipers with automatic headlights	○	●
Rear window wiper/washer	●	●
Roof rails	●	●
Shadow Line trim	○	–
White indicator lenses	●	●
Xenon low-beam headlights with luminous rings	●	●
<b>Comfort and Convenience</b>		
Automatic climate control with separate left/right temperature controls, automatic recirculation, residual/rest heat features and max./AC button	○	●
Automatic-dimming inside rear-view mirror	○	●
Automatic ventilation system (can be programmed to ventilate car when parked)	–	●
Cruise control	●	●
Dual cupholders and coinholder	●	●
Dual front sun visors with illuminated mirrors	●	●
Front map lights, rear reading lights	●	●
Fully carpeted trunk/cargo area with drop-down tool kit and luggage straps	●	●
Heated front seats	●	●
Heated steering wheel <sup>2</sup>	●	●
Integrated 3-button universal garage-door opener	●	●
Interior courtesy lights with automatic dimming function	●	●
Micro-filter ventilation system with replaceable activated charcoal filters	●	●
Power and heated door mirrors, heated driver's door lock and windshield washers, rear window defroster	●	●
Power glass moonroof with remote, one-touch operation, sliding interior sunshade	●	●
Power tilt and telescopic steering wheel with automatic tilt-up	●	●
Power windows with key-off and "one touch" up and down operation both front and rear, anti-trapping feature	●	●
Rear-door window sunshade	–	○
Retractable luggage net	●	●
Rechargeable glovebox flashlight	●	●

<sup>2</sup> Not available with sport steering wheel.

	525iT	540iT
<b>Instrumentation and Controls</b>		
4-function on-board computer with liquid crystal display	●	-
Check Control vehicle monitor system with pictogram display	●	-
Electronic analog speedometer and tachometer, digital main and trip odometers	●	●
Exterior temperature display with alarm for freezing temperatures	●	●
Integrated on-board Navigation System with high-function on-board computer	○	○
M Multi-function leather sport steering wheel	○	○
Multi-function steering wheel with controls for audio system, cruise control, heated steering wheel and BMW cell phone <sup>4</sup>	●	●
Multi Information Display (MID) incorporating audio and optional phone controls, and upgraded on-board computer and Check Control vehicle monitoring system	-	●
Service Interval Indicator with kilometres-to-service readout	●	●
Vehicle & Key Memory	●	●
<b>Sound System</b>		
Anti-theft AM/FM Audiophile stereo radio/cassette sound system with 12 speakers, 12-channel amplification and digital sound processing	○	○
Anti-theft AM/FM stereo/cassette sound system with 10 speakers, Radio Data System (RDS), Auto-Store, Dolby B/C noise reduction and 4-channel FM diversity antenna system	●	●
CD changer	○	○
In-dash CD player	●	●
Pre-wiring for BMW Retailer installation of BMW CD changer and BMW mobile telephone (includes roof-mounted antenna)	●	●
<b>Safety and Security</b>		
Automatic front safety-belt tensioners and force limiters	●	●
Automatic fuel cut-off, triggered by airbag deployment	●	●
BMW's side-impact Head Protection System (HPS) for front seat occupants	●	●
Battery Safety Terminal (BST)	●	●
Central locking system with centre console button (leaves gas filler door unlocked) and double-lock anti-theft system	●	●
Child-safety rear door locks; child seat automatic safety-belt locking device and restraint tether anchors	●	●
Coded driveway protection (prevents engine start when your key, with constantly changing electronic code, is not used)	●	●
Crash sensor that automatically turns on hazard lights, interior lights and unlocks doors	●	●
Daytime running lights	●	●
Driver's and passenger's front airbag Supplemental Restraint System (SRS) with dual-threshold and dual-stage deployment and sensor to help prevent unnecessary passenger's front airbag deployment	●	●
Ergonomically designed 3-point safety belts with automatic height adjustment for front seats	●	●
Front-door-mounted side-impact airbags	●	●
Full-use spare alloy wheel and tire (matches front wheels and tires)	●	●
Interlocking door anchoring system to help protect against door intrusion in side impacts	●	●
Rear side airbags	○	○
Remote entry security system with remote rear door opening and panic feature	●	●
<b>BMW Maintenance Program</b>		
BMW No-Charge Scheduled Maintenance (3 years/60,000 kms) <sup>3</sup>	●	●

● Standard  
○ Optional  
- Not Available

<sup>3</sup> See Retailer for details.

<b>Sport Packages</b>		
17" Star spoke alloy wheels, style 81; M multi-function leather sport steering wheel; Shadow Line trim; Sport suspension with self-levelling rear	○	-
17" Radial spoke alloy wheels, style 32; High-gloss Shadow Line; M multi-function leather sport steering wheel; M Sport suspension	-	○
<b>M Sport Package<sup>4</sup></b>		
17" M Parallel spoke alloy wheels, style 66M; Anthracite roof liner; Door sills with M badge; Electric sport seats with driver memory; High-gloss Shadow Line trim; M Aerodynamic package; M footrest; M multi-function leather sport steering wheel; Side protector strips in black; Sport suspension with self-levelling rear; Visible exhaust pipe	-	○
<b>Electric Sport Seats Package</b>		
Electric sport seats with driver memory	-	○
<b>Navigation Package</b>		
BMW On-board Navigation System; Canada Navigation CD	○	○

<sup>4</sup> Limited exterior colour choice available. Please see your BMW Retailer for complete details.



<b>Weight</b>		<b>525iT</b>	<b>540iT</b>
Unladen	kg	1670 (1695)	1840
<b>Weight distribution, front/rear</b>			
Manual transmission	%	46.7/53.3	
Automatic transmission	%	47.2/52.8	50.0/50.0
<b>Engine</b>			
Litre/type		2.5/DOHC inline 6, 24V	4.4/DOHC V8, 32V
Bore/stroke	mm	84/75	92/82.7
Nominal output/rpm	hp	184/6000	290/5400
Max torque/rpm	lb-ft	175/3500	324/3600
Compression ratio	:1	10.5	10.0
Fuel grade		Premium Unleaded	Premium Unleaded
<b>Transmission</b>			
<b>Manual gear ratio</b>			
I/II	:1	4.21/2.49	-
III/IV	:1	1.66/1.24	-
V/R	:1	1.00/3.85	-
Final drive ratio	:1	3.23	-
<b>Automatic gear ratio</b>			
I/II	:1	3.45/2.21	3.57/2.20
III/IV	:1	1.59/1.00	1.51/1.00
V/R	:1	0.76/3.17	0.80/4.10
Final drive ratio	:1	3.46	3.15
<b>Performance</b>			
Drag coefficient	C <sub>d</sub>	0.31	0.33
Top speed <sup>1</sup>	km/h	206	206
Acceleration 0-100 km/h	sec	8.8 (9.5)	6.3
<b>Fuel Consumption<sup>2</sup></b>			
<b>5-speed manual transmission</b>			
City	L/100/km	12.4	-
Highway	L/100/km	8.0	-
<b>5-speed automatic transmission</b>			
City	L/100/km	12.2	13.9
Highway	L/100/km	8.2	10.1

Figures in ( ) apply to vehicles with automatic transmission.

<sup>1</sup> Top speed limited electronically.

<sup>2</sup> NR Can-estimated figures are for comparison purposes only. Your actual mileage will vary, depending on speed, driving habits, trip length and driving conditions; actual mileage will most likely be lower.

<b>Wheels</b>		<b>525iT</b>	<b>540iT</b>
Tire dimensions	(standard)	225/55R-16 all-season	225/55R-16 all-season
Wheel dimensions	(standard)	7 J x 16	7 J x 16
Material		Light Alloy	Light Alloy
<b>Electrical System</b>			
Battery capacity	Amp-hours	90	90
Alternator output	Amps/Watts	120/1680	150/2100

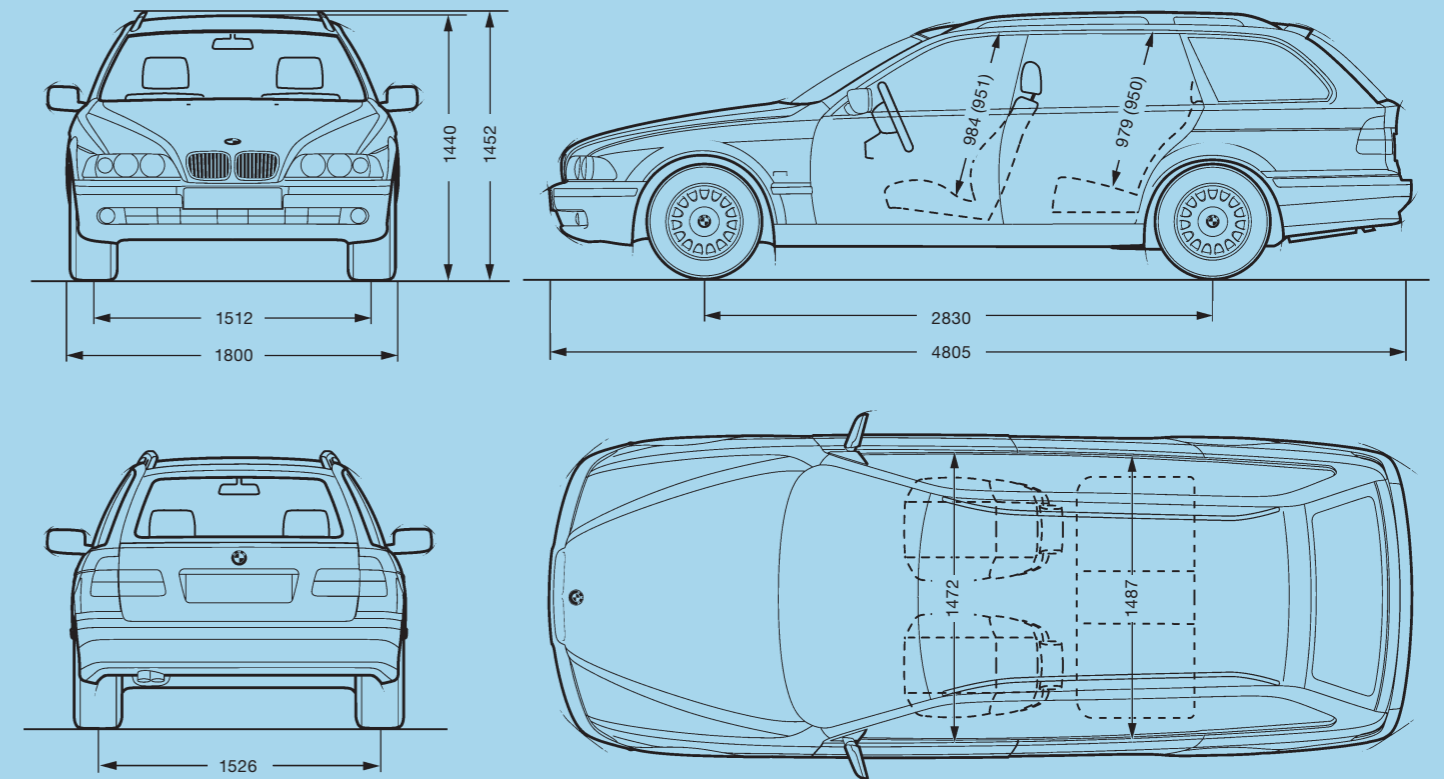


Illustration above: Figures in ( ) apply to 540iT. All dimensions in mm.