

2014
CADILLAC ATS



cadillac.ca



BUILT FROM THE GROUND UP

TO BE THE WORLD'S BEST SPORT SEDAN.

Quick. Nimble. Responsive. The Cadillac ATS. Endowed with powerful direct-injected engines, a ZF® premium steering system, available racing-inspired Brembo® front brakes and revolutionary Magnetic Ride Control. But we didn't stop there. The cabin reveals a handcrafted, cut-and-sewn interior finished with premium materials and the latest technology like CUE¹—Cadillac User Experience. It's a brilliantly executed fusion of luxury and sport.



*MASTER ITS CURVES,
AND YOU'VE GOT YOUR PRIORITIES STRAIGHT.*

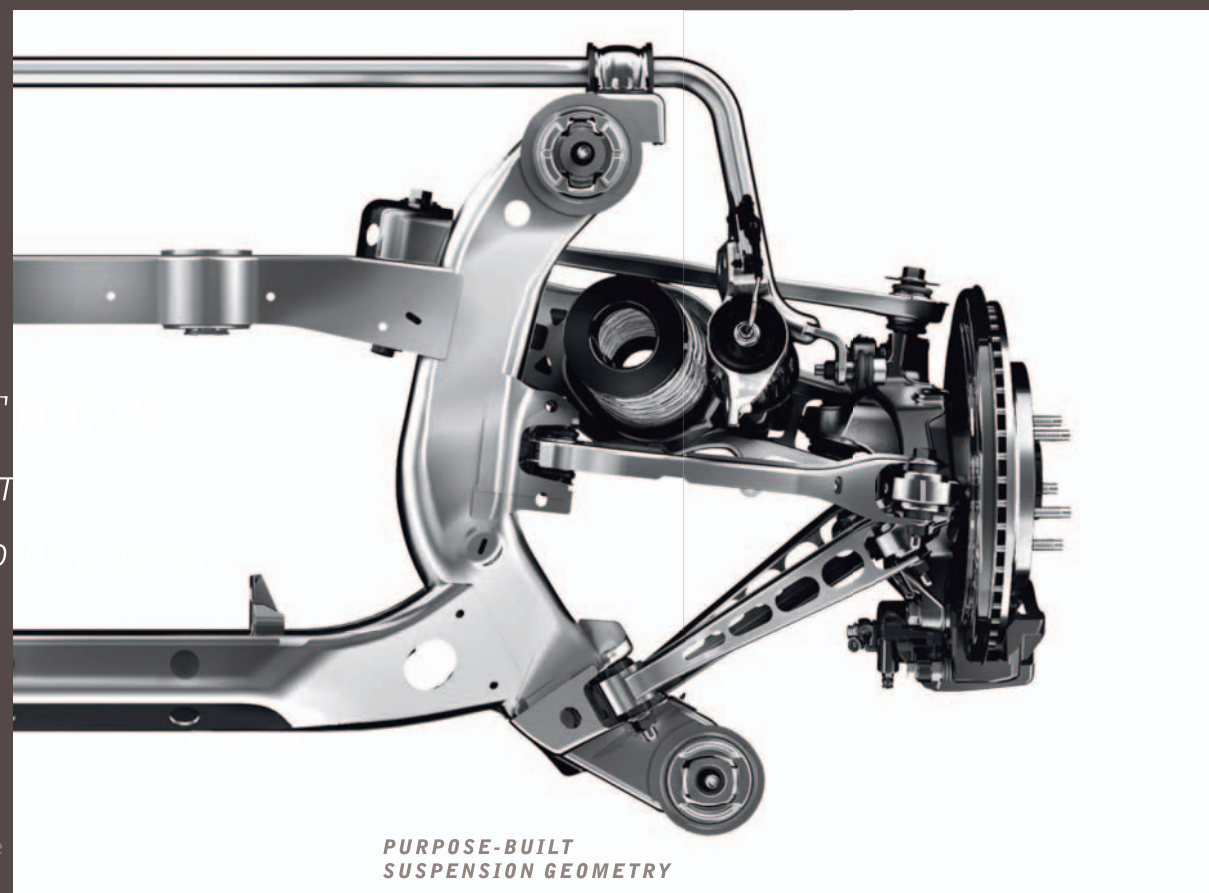


While engineering and perfecting the ATS, we went to the benchmark by which performance cars are measured: Germany's legendary Nürburgring racetrack. It stresses every component to its limit, sometimes beyond, and deservedly earns the nickname "Green Hell." By enduring this grueling punishment, every aspect of the agile ATS was tuned and retuned to push the performance envelope as close to perfection as possible.



STRONG FOUNDATION
 ARE MADE FROM MORE THAN JUST
 IRON AND

Every chassis component in the ATS was evaluated down to the gram to reduce weight without sacrificing strength, durability or safety. It's the perfect combination of advanced materials to create a luxury sport sedan that's extremely athletic and composed. A near-perfect front-to-rear weight balance, low centre of gravity and distinct suspension geometry blend flawlessly with Rear-Wheel Drive or available All-Wheel Drive.



**PURPOSE-BUILT
 SUSPENSION GEOMETRY**

The ATS uses a double-pivot MacPherson strut in the front and a five-link rear design (shown above) for responsive handling with excellent refinement.

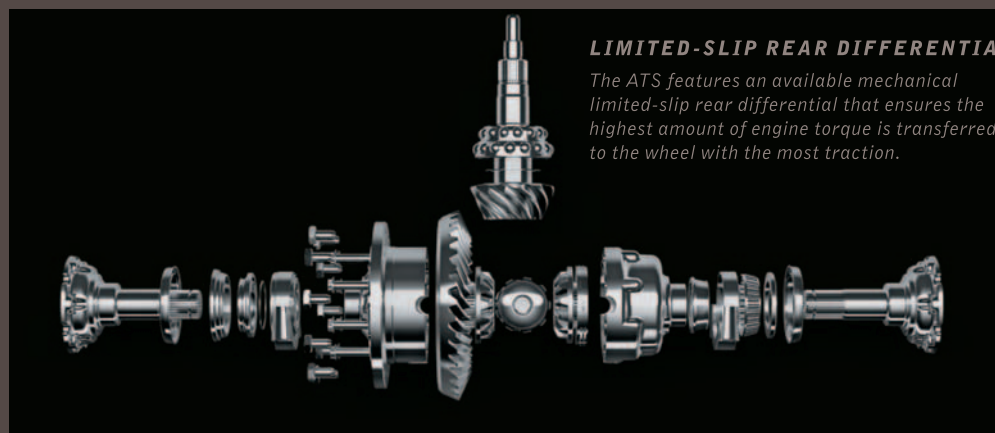
MAGNETIC RIDE CONTROL

Available revolutionary Magnetic Ride Control reads the road up to 1,000 times per second and seamlessly adjusts damping for exceptional ride, handling and control.



LIMITED-SLIP REAR DIFFERENTIAL

The ATS features an available mechanical limited-slip rear differential that ensures the highest amount of engine torque is transferred to the wheel with the most traction.



**WORLD-CLASS PERFORMANCE BEGINS WITH
 WORLD-CLASS COMPONENTS.**

We worked with highly acclaimed companies like ZF[®] to construct and fine-tune the premium speed-sensitive electric steering system. We teamed with world-renowned Brembo[®] to develop the available fixed-caliper 4-piston front brake system. And we partnered with TREMEC[®] to design an available precision 6-speed manual transmission. Then we went a step further and made class-exclusive Magnetic Ride Control available, which adjusts the suspension up to 1,000 times a second. All credentials that define the luxurious ATS as a bona fide driver's car.

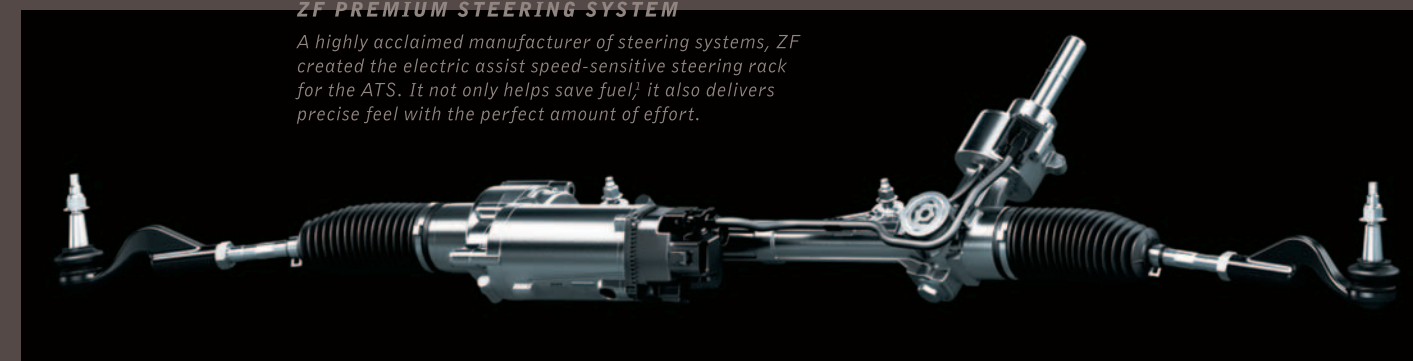


BREMBO BRAKES

We combined forces with Brembo to engineer the available fixed-caliper 4-piston front brakes. This brake system delivers remarkable stopping power and consistent pedal feel.

ZF PREMIUM STEERING SYSTEM

A highly acclaimed manufacturer of steering systems, ZF created the electric assist speed-sensitive steering rack for the ATS. It not only helps save fuel¹, it also delivers precise feel with the perfect amount of effort.



1. 2014 ATS fuel consumption based on GM testing in accordance with approved Transport Canada test methods for RWD models with automatic transmission. Your actual fuel consumption may vary: 9.2 L/100 km city, 6.0 L/100 km hwy for 2.5L engine; 9.9 L/100 km city, 6.3 L/100 km hwy for 2.0L Turbo engine; 14.8 L/100 km city, 9.6 L/100 km hwy for 3.6L engine.

RESPONSE AND RESPONSIBILITY

HAVE NEVER BEEN CLOSER.

At a potent 272 hp, the 2.0L Turbo engine available for the ATS is extremely responsive and efficient,¹ and pairs perfectly with the available high-performance TREMEC® 6-speed manual transmission. The ATS also features a muscular 3.6L direct-injected V6 producing 321 hp, or a very efficient¹ 2.5L direct-injected 4-cylinder engine with 202 hp.



2.0L TURBO ENGINE

Delivering a powerful 272 hp punch with a best-in-class 136 hp per litre, the available 2.0L Turbo with twin scroll technology is deftly smooth and incredibly responsive while remaining remarkably fuel-efficient! What's more, the engine produces 260 lb.-ft. of torque available over a wide rpm range.

1. 2014 ATS fuel consumption based on GM testing in accordance with approved Transport Canada test methods for RWD models with automatic transmission. Your actual fuel consumption may vary: 9.2 L/100 km city, 6.0 L/100 km hwy for 2.5L engine; 9.9 L/100 km city, 6.3 L/100 km hwy for 2.0L Turbo engine; 14.8 L/100 km city, 9.6 L/100 km hwy for 3.6L engine.

ATS PREMIUM COLLECTION / Radiant Silver Metallic



ATS PERFORMANCE COLLECTION / Radiant Silver Metallic



INTEGRATED REAR SPOILER
AND CENTRE BRAKE LIGHT



DYNAMIC 18" MACHINED-FINISH
ALUMINUM WHEELS

IT'S AERODYNAMIC,
EVEN IN PLACES YOU CAN'T SEE.

Aerodynamic innovations include available Aero Grille Shutters that close automatically when additional engine cooling is not needed, while underbody aero shields direct air around and under the vehicle for maximum fuel efficiency! Sculpted side mirrors are firmly positioned to help reduce wind noise. The rear LED centre brake light doubles as a spoiler to ingeniously channel air off the deck lid for added downforce, while the acoustically laminated windshield and front side-door glass work in concert to deflect noise before it enters the cabin.

1. 2014 ATS fuel consumption based on GM testing in accordance with approved Transport Canada test methods for RWD models with automatic transmission. Your actual fuel consumption may vary: 9.2 L/100 km city, 6.0 L/100 km hwy for 2.5L engine; 9.9 L/100 km city, 6.3 L/100 km hwy for 2.0L Turbo engine; 14.8 L/100 km city, 9.6 L/100 km hwy for 3.6L engine.



SOME IDEAS ARE JUST BRIGHTER
THAN OTHERS.

ATS PREMIUM COLLECTION / Radiant Silver Metallic



ILLUMINATING DOOR HANDLES



DISTINCTIVE LED LIGHT SIGNATURE

Available bright-white LED front signature lights offer dramatic lighting at night and a distinctive light signature during the day. The available High-Intensity Discharge (HID) headlights feature an adaptive forward lighting system that casts light precisely into your path of travel. Accent strips on exterior door handles are available, while exterior mirrors feature puddle lights and turn signal indicators. And, for those following, signature LED tail lights and a brilliant centre brake light spark instant Cadillac recognition.



THE ACCELERATOR, AFTER ALL, ISN'T YOUR ONLY
POINT OF CONTACT.

The ATS reveals its refined side in the precise, handcrafted cut-and-sewn interior. Leather seating surfaces are available in rich colours and accented by distinct interior themes featuring exotic woods, aluminum or carbon-fibre trim. Bolstered performance seats are offered to help keep you firmly planted during spirited driving. On select collections equipped with the 6-speed automatic transmission, you'll find magnesium steering wheel paddle shifters.

EXOTIC WOOD TRIM

From its available dramatic Dark Olive Ash Burl (shown here) to the beautiful Sapele and Okapi Stripe designer woods, the stylish ATS interior is emphasized through highly sought-after wood trim featuring deep, rich graining in alluring colours.

CONNECTIVITY

Bluetooth® connectivity plus available 3-D GPS navigation system¹ and more.



THE INTUITIVE CONTROL
OF A SMARTPHONE IN YOUR CAR?

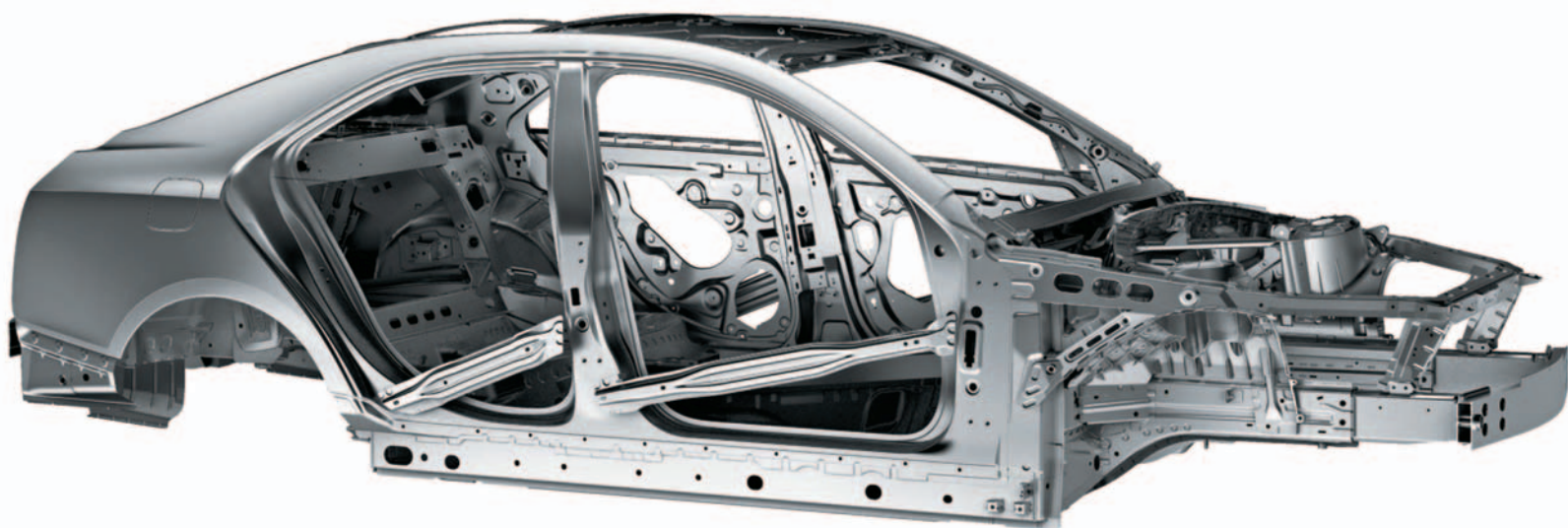
JUST A TAP AWAY.

Employing first-of-its-kind technology, the available CUE²—Cadillac User Experience—brings the innovative brilliance of your tablet to your entire driving experience. Its stunning 8" LCD touch screen senses your hand as it approaches. Zoom in closer on a map. Swipe through your music. Or let the Enhanced Voice Recognition help you effortlessly place a phone call. CUE also lets you preset up to 60 favourites, and easily accesses every contact and song on up to ten Bluetooth®-enabled smartphones. Tune in. Tap on. Take off.

1. At the time of printing, detailed map coverage is available for most major urban areas of the United States and for certain metropolitan areas of Canada (Vancouver, Calgary, Edmonton, Winnipeg, Windsor, London, Toronto, Ottawa, Montreal, Quebec City and Halifax). Coverage is significantly limited outside these areas. 2. CUE functionality varies by model. Full functionality requires compatible Bluetooth® and smartphone, and USB connectivity for some devices. Visit CUE.Cadillac.ca for more details.

*A HIGHLY INNOVATIVE APPROACH TO
PERSONAL PROTECTION.*

It starts with an ultra-high-strength protective safety cage for exceptional rigidity and strategically placed crumple zones. Then we add preventive safety features like the StabiliTrak Electronic Stability Control and full-function traction control systems. From there, a sophisticated anti-lock braking system (ABS) and Electronic Braking Force Distribution (EBD) help to balance stopping power between the front and rear brakes. Then even more safety and security come your way with eight standard airbags,¹ OnStar^{®2} with Automatic Crash Response and anti-theft innovations including an available tilt sensor that senses a change in your vehicle's angle.



1. Always use safety belts and the correct restraint for your child's age and size. Even in vehicles equipped with the Passenger Sensing System, children are safer when properly secured in a rear seat in the appropriate infant, child or booster seat. Never place a rear-facing infant restraint in the front seat of any vehicle equipped with a passenger airbag. See the Owner's Manual and child safety seat instructions for more safety information. 2. Visit onstar.ca for coverage map, details and system limitations. Services vary by model and conditions. OnStar acts as a link to existing emergency service providers. Not all vehicles may transmit all crash data. After complimentary trial period, an active OnStar service plan is required.

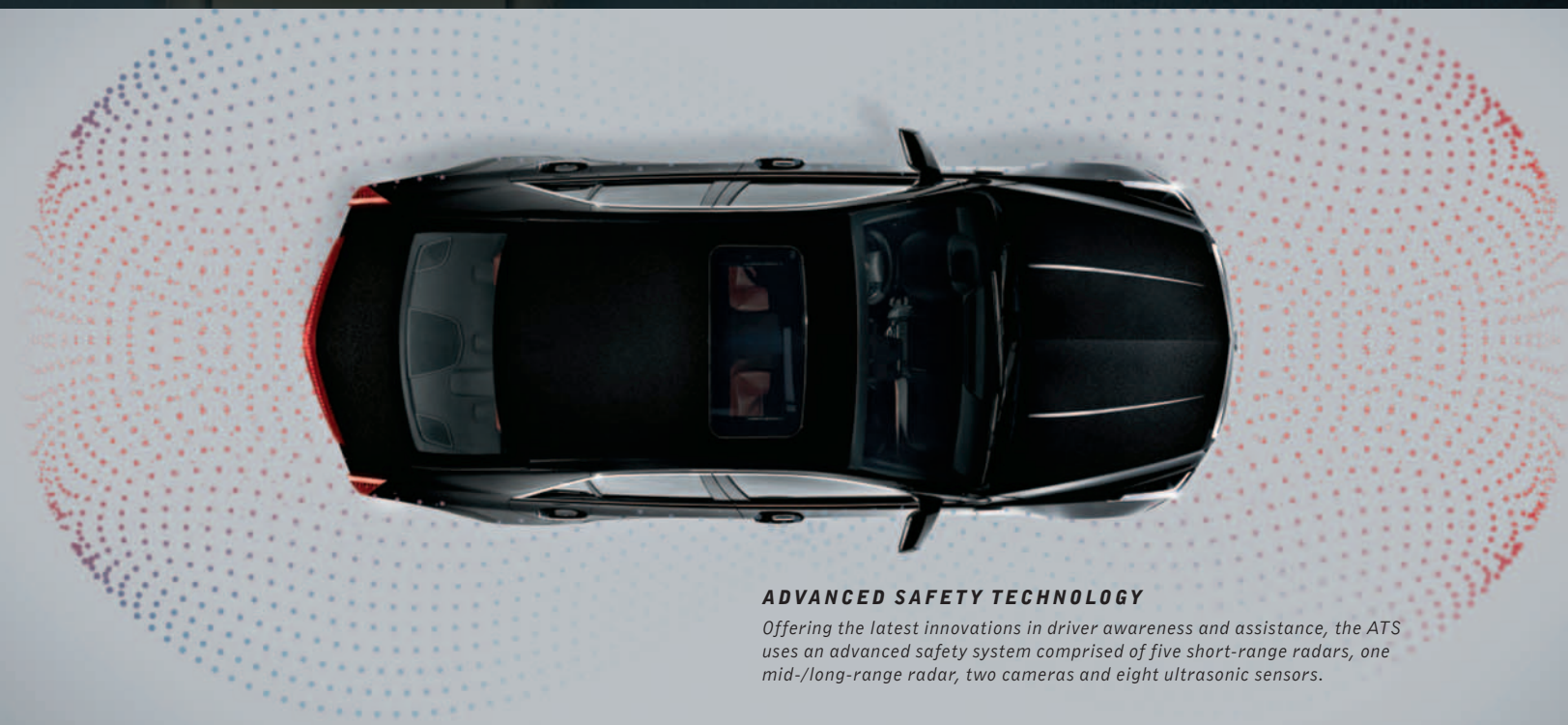
AWARENESS

THAT EXTENDS FAR BEYOND ORDINARY PERCEPTION.



Welcome to some of the most advanced safety innovations available on a compact luxury sport sedan. Using strategically placed cameras, radar technology and numerous other sensors, the available Driver Awareness Package features the Safety Alert Seat that pulses to give you instant feedback—alerting you of select dangers on the road. Going a step further, the available Driver Assist Package adds Front and Rear Automatic Braking, Side Blind Zone Alert,¹ Rear Cross Traffic Alert, a full-colour Head-Up Display, and Adaptive Cruise Control.²

1. Before making a lane change, always check the Side Blind Zone Alert display, check the exterior and interior rear-view mirrors, look over your shoulder for vehicles and hazards, and start the turn signal. 2. Adaptive Cruise Control is no substitute for the driver's personal responsibility to operate the vehicle in a safe manner. The driver needs to remain attentive to traffic and road conditions and provide the steering, braking or other inputs necessary to retain control of the vehicle.



ADVANCED SAFETY TECHNOLOGY

Offering the latest innovations in driver awareness and assistance, the ATS uses an advanced safety system comprised of five short-range radars, one mid-/long-range radar, two cameras and eight ultrasonic sensors.

THE PREMIUM COLLECTION:

WHERE CUTTING-EDGE TECHNOLOGY
MEETS THE LEADING EDGE OF PERFORMANCE.



MAGNETIC RIDE CONTROL



CUE WITH NAVIGATION

RECONFIGURABLE HEAD-UP DISPLAY

Slide into the premium, leather-laden cabin featured in the Premium Collection, and enjoy the intuitive brilliance of CUE¹ with 3-D GPS navigation²; Bluetooth[®] with streaming audio connectivity¹ and the convenience of a 110V power outlet. Enhance your driving experience with the class-exclusive Magnetic Ride Control³, pioneered by Cadillac and available on the ATS. It reads and reacts to the road ten times faster than the blink of an eye. And wherever your journey takes you, the Bose[®] Centerpoint[®] Surround Sound system will provide entertainment with its rich, full-range sound.

THE PERFORMANCE COLLECTION:

THE LINK BETWEEN MAN AND MACHINE
JUST GOT STRONGER.



PERFORMANCE SEATS



RACING-INSPIRED ALUMINUM SPORT PEDALS

HID HEADLIGHTS WITH AN ADAPTIVE FORWARD LIGHTING SYSTEM AND SIGNATURE LED LIGHTING

The Performance Collection features bolstered performance front seats for a comfortably firm and planted feel during intense cornering. Sport pedals provide a racing-inspired feel, while magnesium paddle shifters offer smooth, crisp gear changes on automatic transmission models. HID headlights with an adaptive forward lighting system swivel to cast light into your direction of travel. Innovative safety technologies like Forward Collision Alert and the Safety Alert Seat help notify you of potential hazards. Exhilaration is further enhanced with CUE and a Bose[®] Centerpoint[®] Surround Sound system.

1. CUE functionality varies by model. Full functionality requires compatible Bluetooth and smartphone, and USB connectivity for some devices. Visit CUE.Cadillac.ca for more details.
2. At the time of printing, detailed map coverage is available for most major urban areas of the United States and for certain metropolitan areas of Canada (Vancouver, Calgary, Edmonton, Winnipeg, Windsor, London, Toronto, Ottawa, Montreal, Quebec City and Halifax). Coverage is significantly limited outside these areas. 3. Rear-Wheel-Drive models only.

THE LUXURY COLLECTION:

WANTS THAT QUICKLY BECOME NEEDS.



CADILLAC USER EXPERIENCE (CUE¹)



AVAILABLE POWER SUNROOF



PREMIUM LEATHER SEATING SURFACES WITH FRENCH STITCHING

The Luxury Collection greets you with upscale interior features, including eight-way power-adjustable front seats plus two-way power lumbar, a memory package, supple leather seating and the CUE¹ infotainment system. Outside, the front-end design is complemented with a Midnight Chrome-accented grille. Parking? That's a breeze with the convenience of the Rear Vision Camera and Front and Rear Park Assist, alerting you of nearby obstacles. Passive Entry with adaptive vehicle remote starter system and SiriusXM Satellite Radio² complete this exceptionally sophisticated package.

1. CUE functionality varies by model. Full functionality requires compatible Bluetooth and smartphone, and USB connectivity for some devices. Visit CUE.Cadillac.ca for more details.
2. Available in 10 Canadian provinces and the 48 contiguous United States. Subscription sold separately after trial period. Visit siriusxm.ca for details.

INDIVIDUALIZED INTERIOR THEMES.

Personalize your ATS with these distinct interior environments featuring a rich colour palette accented with authentic trim materials, including Dark Olive Ash, Sapele and Okapi Stripe designer woods, aluminum or carbon fibre.

Jet Black¹ / Jet Black Accents / Oil-Rubbed Bronze Appearance Trim



Morello Red² / Jet Black Accents / Carbon-Fibre Trim



Jet Black² / Jet Black Accents / Brushed Aluminum Trim



Light Platinum² / Jet Black Accents / Sapele Wood Trim



Light Platinum² / Brownstone Accents / Okapi Stripe Wood Trim



Caramel¹ / Jet Black Accents / Oil-Rubbed Bronze Appearance Trim



Caramel² / Jet Black Accents / Dark Olive Ash Burl Wood Trim



PAINT FINISHES

TINTCOAT A premium 2-layer paint application with the addition of a tinted clearcoat, lending the finish an extra depth and brightness.

TRICOAT A meticulous 3-layer process that results in a dramatic hue-shifting colour.



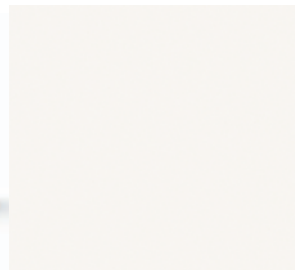
RADIANT SILVER METALLIC



MOCHA STEEL METALLIC



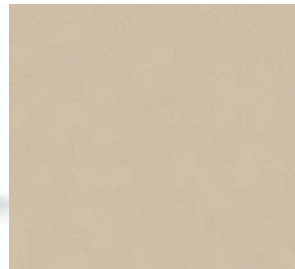
WHITE DIAMOND TRICOAT¹



OPULENT BLUE METALLIC



SILVER COAST METALLIC



PHANTOM GREY METALLIC



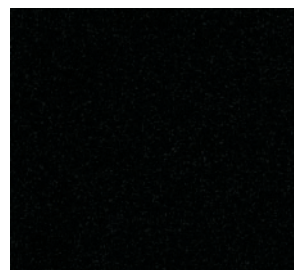
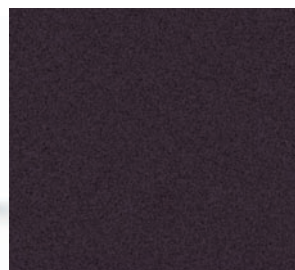
RED OBSESSION TINTCOAT¹



BLACK RAVEN



MAJESTIC PLUM METALLIC¹



BLACK DIAMOND TRICOAT¹



17" ALUMINUM WITH PREMIUM PAINTED FINISH

Standard on ATS, includes P225/45R17 all-season tires
Size: 17" x 8" front and rear



17" ALUMINUM WITH POLISHED FINISH

Standard on ATS Luxury Collection and available on ATS standard model; includes P225/45R17 all-season run-flat tires
Size: 17" x 8" front and rear



17" ALUMINUM WITH PREMIUM PAINTED FINISH

Standard on ATS; Performance Collection; includes P225/45R17 all-season run-flat tires
Size: 17" x 8" front and rear



18" FORGED ALUMINUM WITH POLISHED FINISH

Available on ATS Luxury and Premium Collections
Luxury Collection AWD size: 18" x 8" front and rear and includes P225/40R18 all-season run-flat tires
Premium Collection RWD size: 18" x 8" front and 18" x 9" rear and includes performance summer-only¹ run-flat tires; P225/40R18 front and P255/35R18 rear



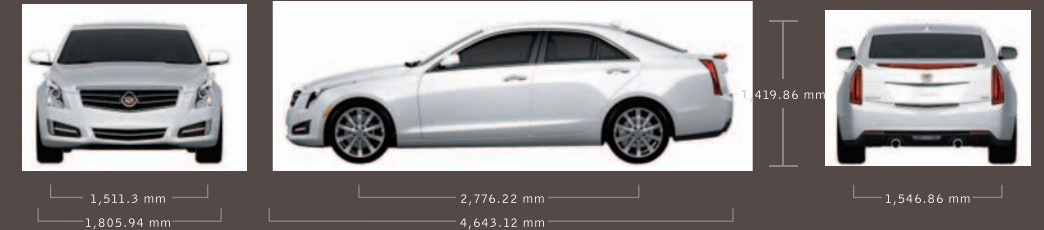
18" FORGED ALUMINUM WITH MACHINED FINISH

Standard on ATS Premium Collection, available on ATS Performance Collection
Performance and Premium Collection AWD size: 18" x 8" front and rear and includes P225/40R18 all-season run-flat tires
Premium Collection RWD size: 18" x 8" front and 18" x 9" rear and includes performance summer-only¹ run-flat tires; P225/40R18 front and P255/35R18 rear

¹ Summer-only tires tend to wear faster and are more susceptible to damage from road hazards or curb impact than standard-profile tires. This type of damage is not covered by the New Vehicle Limited Warranty. You may want to get different tires if you expect to drive in winter conditions. See your dealer for proper tire selection.

ATS FEATURES AND OPTIONS

DIMENSIONS	FRONT	REAR	CAPACITIES	
Headroom (mm)	980	935	Cargo Volume (litres)	290
Hip room (mm)	1,345	1,328	Seating	5
Legroom (mm)	1,079	851	Fuel (litres approx.)	61
Shoulder room (mm)	1,402	1,370		



	STANDARD	LUXURY	PERFORMANCE	PREMIUM
DRIVETRAIN				
2.5L DIRECT-INJECTED, VVT 4-CYLINDER ENGINE (RWD) With 202 hp and 191 lb.-ft. of torque	●	●		
2.0L TURBO DIRECT-INJECTED, VVT 4-CYLINDER ENGINE With 272 hp and 260 lb.-ft. of torque	○	○	●	●
3.6L DIRECT-INJECTED, VVT V6 ENGINE With 321 hp and 275 lb.-ft. of torque		○	○	○
EXHAUST, BRIGHT TIP Single outlet (2.5L)	●	●		
Dual outlets (2.0L Turbo and 3.6L)	○	○	●	●
REAR-WHEEL DRIVE				
ALL-WHEEL DRIVE (2.0L TURBO AND 3.6L)		○	○	○
TRANSMISSION				
6-speed automatic with Performance Algorithm Shifting	●	●	●	●
6-speed manual (2.0L Turbo only); includes electric parking brake	○	○	○	○
Mechanical rear limited-slip differential (included with manual transmission; included with Premium Collection RWD)	○	○	○	○
CHASSIS AND SUSPENSION				
BRAKES, 4-WHEEL DISC				
Anti-lock system (ABS), Auto-Dry and FNC rotors	●	●	●	●
Brembo® high-performance front	○	●	●	●
ELECTRONIC STABILITY CONTROL SYSTEM, STABILITRAK				
STEERING, RACK-AND-PINION ZF® premium electric with variable assist	●	●	●	●
SUSPENSION, 4-WHEEL INDEPENDENT				
Double-pivot front and 5-link rear	●	●	●	●
Mode Control, driver-selectable	●	●	●	●
Sport	●	●	●	○
Performance with Gen 3 Magnetic Ride Control (RWD)				●
TIRE PRESSURE MONITORING SYSTEM				
TIRE INFLATION KIT	●	●	●	●
TRACTION CONTROL All-speed with brake and engine intervention				
	●	●	●	●
EXTERIOR FEATURES				
ACTIVE AERO GRILLE SHUTTERS With 2.0L Turbo and 3.6L engines	○	○	●	●
DRIVER AWARENESS PACKAGE Safety Alert Seat, Forward Collision Alert, Lane Departure Warning, IntelliBeam® headlights, Rainsense™ wipers and rear side airbags				
	●	○	○	○
GRILLE				
With Grey premium paint accents	●			
With Midnight Chrome accents		●	●	●
ILLUMINATING DOOR HANDLES				
LIGHTING				
Adaptive forward lighting system		●	●	●
Daytime Running Lights	●	●	●	●
HD headlights with LED vertical light signatures		●	●	●
Projector halogen headlights	●	●		
MIRRORS, EXTERIOR, BODY COLOUR				
Power, heated	●			
Power, heated, driver-side auto-dimming, with integrated turn signal indicators and puddle lights		●	●	●
PARK ASSIST, FRONT AND REAR				
SOLAR-ABSORBING WINDSHIELD				
	●	●	●	●
SPOILER, REAR DECK-LID Integrated with LED centre-high-mounted stop light (CHMSL)				
	●	●	●	●
WHEELS, ALUMINUM 17" See page 21 for more information				
	●	●	○	○
WHEELS, FORGED ALUMINUM 18" See page 21 for more information				
	●	●		
WINDSHIELD WIPERS				
Driver-selectable variable speed	●	●		
Automatic Rainsense wipers with moisture detection		○	●	●
INTERIOR FEATURES				
ADAPTIVE REMOTE START¹ Activates heated seats (if equipped), climate control system and rear defroster				
	●	●	●	●
AIRBAGS² Driver and front passenger frontal, knee and side; front and rear head curtain				
	●	●	●	●
AIR FILTRATION SYSTEM Automatic air circulation and air quality				
	●	●	●	●
ALUMINUM SPORT PEDALS				
	●	●	●	●
ARMREST Centre front and rear with hidden storage				
	●	●	●	●
AUDIO SYSTEM				
4.2" full-color LCD screen	●			
Bose® premium 7-speaker sound system	●	●	●	●
Bose premium 10-speaker Cabin Surround® sound system	○	○	○	○
CD/MP3 single-disc player	○	○	●	●
Dual USB ports ³ ; SD card reader and auxiliary audio connectivity	●	●	●	●
SiriusXM Satellite Radio with three-month trial ⁴	●	●	●	●
BLUETOOTH®				
Hands-free calling for Bluetooth-enabled cell phones and data service with voice-prompt recognition ⁵	●			
Hands-free calling and data-service streaming with Enhanced Voice Recognition ⁶	○	●	●	●

	STANDARD	LUXURY	PERFORMANCE	PREMIUM
INTERIOR FEATURES (continued)				
CLIMATE CONTROL				
Automatic moisture detection and defog		●	●	●
Dual-zone automatic electronic climate control with individual settings for driver and front passenger	●	●	●	●
Rear-window defroster	●	●	●	●
CONSOLE, CENTRE FRONT with integrated shifter, storage and two cupholders				
	●	●	●	●
CONSOLE, OVERHEAD Includes OnStar™ controls and reading lights; also includes universal home remote and sunroof controls (if equipped)				
	●	●	●	●
CRUISE CONTROL Electronic, with set and resume speed				
	●	●	●	●
CUE (CADILLAC USER EXPERIENCE)⁸				
Information and media control system	○	●	●	●
8" full-colour LCD capacitive touch screen	○	●	●	●
DOOR LOCKS Power-programmable, with lockout protection				
	●	●	●	●
DRIVER INFORMATION CENTRE 5.7" three-window configurable colour display for vehicle information				
	●	●	●	●
FLOOR MATS Carpeted front and rear				
	●	●	●	●
FORWARD COLLISION ALERT				
		○	○	○
HEAD-UP DISPLAY Full-colour, configurable				
			○	○
KEYLESS ACCESS				
E-Z Key passive entry system offers keyless entry to all doors and trunk		●	●	●
Remote keyless entry system includes lock, unlock, panic functions and two transmitters	●	●	●	●
KEYLESS ACCESS WITH PUSH-BUTTON START				
LANE DEPARTURE WARNING				
		○	○	○
LIGHTING				
Interior ambient accent lighting on the doors and centre console	●	●	●	●
Front and rear reading lights and cargo area light	●	●	●	●
MEMORY PACKAGE Two presets for driver seat position and outside mirrors and vehicle exit preset function				
	●	●	●	●
MIRROR Frameless automatic dimming rear-view				
	●	●	●	●
NAVIGATION⁶ Integrated with CUE, and includes voice and text guidance				
		○	○	○
ONSTAR⁷ Standard one-year Directions & Connections Plan				
	●	●	●	●
REAR POWER OUTLET 110V household-style power outlet located on rear face of centre console				
	○	○	○	○
REAR VISION CAMERA Includes "guidelines" indicating the vehicle's projected path when vehicle is put in Reverse				
	○	●	●	●
RETAINED ACCESSORY POWER Power windows, audio system and sunroof (if equipped) remain operational after ignition is switched off for 10 minutes or until driver's door is opened				
	●	●	●	●
SAFETY BELTS Lap and shoulder belts for all positions with belt-to-seat mounting and pre-tensioners for driver and front passenger, rear outboard comfort guides				
	●	●	●	●
SEATING				
5-passenger	●	●	●	●
Front bucket	●	●	●	●
Rear, fixed seatback includes fold-down centre armrest, integrated storage and dual cupholders	●			
Rear, 60/40 split-folding seatback includes fold-down centre armrest, integrated storage, dual cupholders and trunk access door		●	●	●
Rear, fixed seatback includes fold-down centre armrest, integrated storage, dual cupholders and trunk access door		●	●	●
Head restraints, 4-way adjustable front and 2-way adjustable outboard rear	●	●	●	●
Heated driver and front passenger seats	●	●	●	●
Leatherette seating with driver and front passenger 6-way adjustments, plus 2-way lumbar adjustments	●			
Leather seating surfaces with driver and front passenger 8-way adjustments, plus 2-way lumbar adjustments		●	●	●
Leather seating surfaces with driver 12-way and front passenger 10-way adjustments, plus 2-way lumbar adjustments			●	●
STEERING WHEEL AND COLUMN				
Audio, cruise control and DIC controls	●	●	●	●
Heated steering wheel rim	●			
Leather-wrapped rim	●	●	●	●
Magnesium paddle-shift controls on sport rim steering wheel (automatic transmission only)	●			
Manual adjustable rake and telescope	●	●	●	●
THEFT-DETERRENT SYSTEM				
Engine immobilizer	●	●	●	●
Audible alert theft-deterrent system	●	●	●	●
UNIVERSAL HOME REMOTE, 3-CHANNEL				
	●	●	●	●
WINDOWS Power, with express-up/down in front and express down in rear; includes rear passenger lock-out				
	●	●	●	●

	STANDARD	LUXURY	PERFORMANCE	PREMIUM
OPTIONS AND PACKAGES				
ADVANCED SECURITY PACKAGE Includes a dedicated and shielded theft-deterrent alarm, tilt sensor, steering column lock and locking wheel lugs (requires Driver Awareness Package)				
		○	○	○
DRIVER ASSIST PACKAGE Includes all Driver Awareness Package content plus Adaptive Cruise Control, automatic collision preparation, front and rear automatic braking, electric parking brake, Rear Cross Traffic Alert, Side Blind Zone Alert ⁸ and full-colour Head-Up Display				
			○	○
ENGINE BLOCK HEATER				
	○	○	○	○
HEATED DRIVER AND FRONT PASSENGER SEATS				
	○	○	○	○
SUNROOF Power-retractable and tilt with sunshade				
	○	○	○	○
TRACK PERFORMANCE PACKAGE High-capacity engine cooling, supplemental engine oil cooler and high-performance brake pads (3.6L RWD only)				
				○

1. Automatic transmission-equipped models only. 2. Always use safety belts and the correct child restraint for your child's age and size. Even in vehicles equipped with the Passenger Sensing System, children are safer when properly secured in a rear seat in an appropriate infant, child or booster seat. Never place a rear-facing infant restraint in the front seat of any vehicle equipped with a passenger airbag. See the Owner's Manual and child safety seat instructions for more safety information. 3. Not compatible with all devices. 4. Available in 10 Canadian provinces and the 48 contiguous United States. Subscription sold separately after trial period. Visit siriusxm.ca for details. 5. CUE functionality varies by model. Full functionality requires compatible Bluetooth® and smartphone, and USB connectivity for some devices. Visit CUE.Cadillac.ca for more details. 6. At the time of printing, detailed map coverage is available for most major urban areas of the United States and for certain metropolitan areas of Canada (Vancouver, Calgary, Edmonton, Winnipeg, Windsor, London, Toronto, Ottawa, Montreal, Quebec City and Halifax). Coverage is significantly limited outside these areas. 7. Visit onstar.ca for coverage map, details and system limitations. After complimentary trial period, an active OnStar service plan is required. 8. Before making a lane change, always check the Side Blind Zone Alert display, check the exterior and interior rear-view mirrors, look over your shoulder for vehicles and hazards, and start the turn signal.



CADILLAC SHIELD

THE STANDARD OF LUXURY OWNERSHIP

We set out to create the ultimate customer experience. The result is Cadillac Shield, and it backs every vehicle we sell.

From innovations like Remote Vehicle Diagnostics and advanced mobile apps to our Premium Care Maintenance program, Cadillac Shield gives luxury owners everything they need.



WARRANTY PROTECTION

Cadillac's 6-year or 110,000-km¹ Powertrain Warranty offers more years and miles standard than BMW and Mercedes-Benz. In addition, our 4-year or 80,000-km¹ Bumper-to-Bumper Warranty covers repairs on your entire vehicle, including parts and labor, to correct problems in materials or workmanship.



PREMIUM CARE MAINTENANCE

Standard on every new Cadillac is the Premium Care Maintenance program. It covers routine oil changes, tire rotations, certain air filter replacements and a thorough multipoint vehicle inspection for 4 years or 80,000 km².



The standard one-year Directions & Connections Plan allows you to push one button to connect with a live Advisor to find the things and places you want. Get directions or a diagnostics check while you drive. Make calls safely with both hands on the wheel, and control your vehicle with the RemoteLink^{®3} mobile app. And, as always, get help immediately in a crash or an emergency. These are just a few examples of the level of personal service we think you deserve as a Cadillac owner.



NAVIGATION BY ONSTAR[®]

Just push the OnStar button, and an Advisor can download voice-guided turn-by-turn directions⁴ to your Cadillac, and a voice will call out every turn, or send them to your navigation system, if equipped. You can also plan routes using MapQuest.com[®] and send them to your Cadillac.



SECURITY BY ONSTAR

If you've reported your Cadillac stolen, OnStar can use GPS technology to help authorities quickly locate and recover it. An OnStar Advisor can further assist authorities by sending a remote Stolen Vehicle Slowdown^{®7} signal to your vehicle to slow it down. Advisors can also enable a Remote Ignition Block⁷, making it impossible to restart a stolen vehicle once it has been turned off.



ROADSIDE ASSISTANCE

Cadillac offers more years of Roadside Assistance standard than any leading luxury brand, with services for 6 years or 110,000 km¹. The program provides lock-out, towing, refueling services and more.



COURTESY TRANSPORTATION

This Cadillac program provides alternate transportation and/or reimbursement of certain transportation expenses if your Cadillac requires warranty repairs for 6 years or 110,000 km¹.



DIAGNOSTICS BY ONSTAR[®]

With the most comprehensive diagnostics⁴ from OnStar², maintaining your Cadillac can be as simple as checking your email or your OnStar RemoteLink³ mobile app. Every month, you can receive an email with the status of key operating systems, or push your OnStar button for a real-time diagnostics check on demand.



EMERGENCY BY ONSTAR

With Automatic Crash Response⁵ in most crashes, built-in sensors can automatically alert an OnStar Advisor who is immediately connected into your Cadillac to see if you need help sent to your exact location. Other OnStar emergency services include Injury Severity Predictor and First Assist, which ensure you quickly get the help you need when seconds matter most. All Cadillac models come with 1 year of OnStar service standard.



CONNECTIONS BY ONSTAR

Available Hands-Free Calling[®] capability from OnStar allows you to make and receive calls safely from your Cadillac. With the OnStar RemoteLink^{®3} mobile app, you can access real-time information and control your Cadillac from anywhere you have cellphone service. Now you can even find a destination with RemoteLink³ and send directions right to your vehicle.



MYCADILLAC APP⁹



The ingenuity of the ATS doesn't stop with the vehicle. As a Cadillac owner, an advanced complimentary app is available for your new car. From virtually anywhere at any time, a few taps of your finger on your iPhone or Android smartphone let you access features like parking reminders, Roadside Assistance and more. Plus, in conjunction with the OnStar RemoteLink³ app, you'll have the ability to remotely start your vehicle (when factory equipped) from any place you have cell service and lock and unlock your doors¹⁰. In addition, you can access key diagnostic information, including fuel tank level and range and remaining oil life.



1. Whichever comes first. See dealer for limited warranty details. 2. Whichever comes first. See dealer for select scheduled maintenance details. 3. Available on select Apple, Android, BlackBerry and Windows devices. Services vary by device, vehicle and conditions. Requires active OnStar service plan. 4. Capabilities vary by model. 5. Visit onstar.ca for coverage map, details and system limitations. Services vary by model and conditions. OnStar acts as a link to existing emergency service providers. Not all vehicles may transmit all crash data. After complimentary trial period, an active OnStar service plan is required. 6. Visit onstar.ca for coverage map, details and system limitations. Services vary by model and conditions. 7. Services vary by model and conditions. 8. Visit onstar.ca for coverage map, details and system limitations. Requires an existing OnStar contract and prepaid minutes. 9. Requires iPhone or Android platform. 10. Requires active OnStar subscription.



ACQUISITION OPTIONS

In addition to the many exclusive privileges of Cadillac ownership, General Motors of Canada has created a range of supplementary support programs to enhance your ownership experience. Some of these programs assist you in purchasing the Cadillac of your choice. Others help protect you and your new Cadillac over the long term.

PURCHASING:

- **Purchase Financing or Leasing** — On-the-spot financing at your GM dealership!
- **The GM Card** — GM cardholders may redeem up to \$3,500 GM Card[®] Earnings (subject to Vehicle Redemption Allowances) toward the Total Purchase Price on eligible new GM vehicles.² For full program details, please visit thegmcard.ca.

ADDITIONAL OWNERSHIP PROGRAMS:

- **GM Protection Plan (GMPP)** — The only extended service plan backed by the resources and commitment of General Motors. GMPP may be purchased at the time of sale or subsequently during the New Vehicle Limited Warranty period.³

INFORMATION RESOURCES:

You can obtain more information about Cadillac vehicles and programs from your Cadillac dealer, or at these information centres:

- The Cadillac website at cadillac.ca.
- The Cadillac Contact Centre at 1-888-446-2000 (1-800-263-3830 for TDD users).

A WORD ABOUT THIS BROCHURE

Some of the equipment shown or described throughout this brochure may be available at extra cost. We have tried to make this brochure comprehensive and factual. We reserve the right, however, to make changes at any time, without notice, in prices, colours, materials, equipment, specifications, models and availability. Specifications, dimensions, measurements, ratings and other numbers in this brochure and other printed materials provided at the dealership or affixed to vehicles are approximates based upon design and engineering drawings and prototypes and laboratory tests. Your vehicle may differ due to variations in manufacture and equipment. Since some information may have been adapted since the time of printing, please check with your Cadillac dealer for complete details. General Motors of Canada Limited reserves the right to lengthen or shorten the model year for a product, for any reason, or to start and end model years at different times.

A WORD ABOUT ASSEMBLY

Cadillac vehicles are equipped with engines and components produced and assembled by different operating units of General Motors, its subsidiaries and suppliers, and these engines and components may change or be obtained from different sources from time to time. All such engines and components are approved for use in Cadillac vehicles. Certain equipment ordered may be unavailable at the time of assembly, and we suggest that you verify that your vehicle includes the equipment you ordered, or if there are changes, that they are acceptable to you.

A WORD ABOUT CORROSION

Cadillacs are designed and built to resist corrosion. All body sheet-metal components are warranted against rust-through corrosion for 6 years. There is no deductible for rust-through repairs. Application of additional rust-inhibiting materials is not required under the corrosion coverage and none is recommended.

TRADEMARKS

The marks appearing in the Cadillac brochure including, but not limited to, General Motors, GM, Cadillac, the Cadillac badge, ATS and their respective logos, emblems, slogans and vehicle model names and body designs; and other marks such as Cadillac User Experience, CUE, ECOTEC, Magnetic Ride Control, StabiliTrak and Twilight Sentinel are trademarks of General Motors and/or General Motors of Canada Limited, its subsidiaries, affiliates or licensors. OnStar, the OnStar emblem and OnStar RemoteLink are registered trademarks of OnStar, LLC. TheftLock is a registered trademark of Delphi Technologies, Inc. TREMEC is a registered trademark of The Kuo Group. Bose is a registered trademark of the Bose Corporation. Radio Data System (RDS) is a registered trademark of the U.S. National Association of Broadcasters. SiriusXM, the SiriusXM logo, channel names and logos are trademarks of SiriusXM Radio Inc. App Store is a service mark of Apple, Inc. Apple and iPhone are trademarks of Apple Inc., registered in the U.S. and other countries.

Android is a trademark of Google Inc. BlackBerry is a registered trademark of Research In Motion, Limited. Bluetooth is a registered trademark of Bluetooth SIG Inc. Brembo is a registered trademark of Brembo S.p.A. Recaro is a trademark of RECARO GmbH & Co. Windows is a trademark of Microsoft Corporation.

© 2013 General Motors of Canada Limited. All Rights Reserved. All text, images, graphics and other materials in the Cadillac brochure are subject to the copyright and other intellectual property rights of General Motors and/or General Motors of Canada Limited. These materials may not be reproduced, distributed or modified without the express written permission of General Motors and/or General Motors of Canada Limited.

1. Subject to eligibility.
2. Program subject to change.
3. Conditions and limitations apply.