

2010

Matrix



 **TOYOTA**  
make things better



# Matrix

With exceptional fuel-efficiency, the 2010 Matrix is the perfect vehicle to unlock your full potential and keep you going and going. With its low, aggressive stance, sharp lines and cool curves, the Matrix will set your mind racing over the endless possibilities of this versatile crossover. But it goes deeper than mere style. Matrix offers FWD models with a 1.8- or 2.4-litre engine, and an AWD model with enhanced traction control and a powerful 2.4-litre engine. Either way, you get power, style, versatility and exhilarating fun to get you wherever you need to go. And because it's built right here in Canada, you know it's made for Canada.

That's how we make things better.



#### **Built in Canada.**

The 2010 Toyota Matrix is built at our Cambridge, Ontario assembly plant. The first Canadian-built Matrix rolled off the line in 2002, and since then over 500,000 Matrixs have been built.

#### **FRONT COVER**

Matrix XR Sport Value Package shown in Sundance Metallic.

**A.** Matrix XRS shown in Sundance Metallic.



# Matrix

With its bold, distinctive look, the 2010 Matrix is engineered for whatever comes its way. It's been aggressively designed inside and out, so you'll see and feel the difference whether your view point is across the street or behind the wheel. With 1.4 m<sup>3</sup> (49.4 cubic feet) of cargo space, the 60/40 split rear bench seat gives you the kind of potential that seems practically endless.

## FUEL CONSUMPTION<sup>2</sup>

7.8 City/6.2 Highway L/100 km  
1.8-litre, 4-cylinder with manual transmission  
8.1 City/6.2 Highway L/100 km  
1.8-litre, 4-cylinder with automatic transmission

## SELECT FEATURES

- 132 hp, 1.8-litre, 4-cylinder, DOHC, 16-valve, Dual VVT-i engine with sequential multiport electronic fuel injection.
- Front wheel drive.
- Power-assisted, ventilated front and solid rear disc brakes, Antilock Braking System (ABS).
- Dual-stage driver and front passenger airbag Supplemental Restraint System (SRS).<sup>1</sup>
- AM/FM CD/MP3/WMA player, 4-speakers, audio auxiliary input jack, XM® satellite ready antenna with prewire.
- Front bucket seats, driver and front passenger seat recline, 60/40 split rear bench seat with fold-down seat back.
- Dual black, heated, power adjustable mirrors.
- Side window defoggers, electric rear window defroster with timer.
- Reflector-style halogen headlamps.
- Illuminated entry.
- 16-inch steel wheels.

**A.** Matrix with Touring Package shown in Radiant Red. **B.** Matrix with Convenience Package interior shown in Ash.



# Matrix XR

That sound you hear is power with a purpose. Matrix XR offers boosted performance with its 2.4-litre, 158 hp engine. And for increased storage capacity, the rear seats fold down flat to give you greater flexibility for your gear. With performance, storage, style and cool features such as a tire pressure monitoring system, dual coloured heated power adjustable mirrors and 6-speaker stereo system, the Matrix XR has arrived.

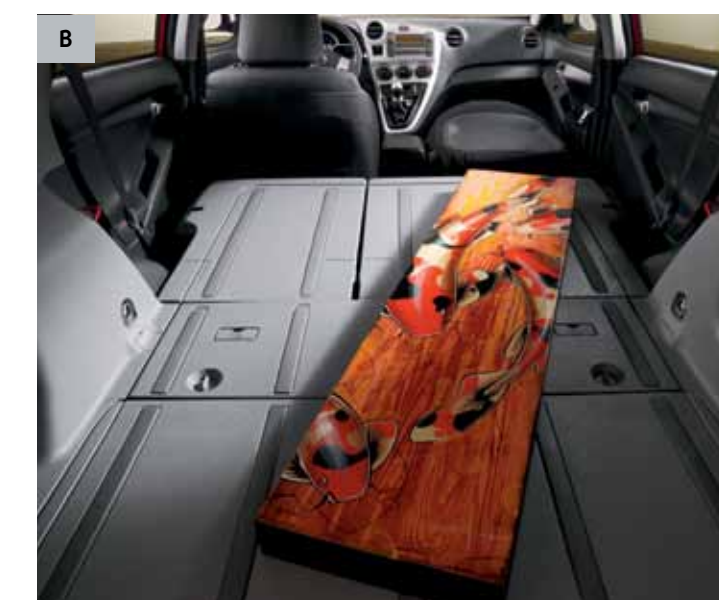
## FUEL CONSUMPTION<sup>2</sup>

9.6 City/7.1 Highway L/100 km  
2.4-litre, 4-cylinder with manual transmission  
9.7 City/6.9 Highway L/100 km  
2.4-litre, 4-cylinder with automatic transmission

## SELECT FEATURES

- 158 hp, 2.4-litre, 4-cylinder, DOHC, 16-valve, VVT-i engine with sequential multiport electronic fuel injection.
- Power-assisted, ventilated front and solid rear disc brakes, Antilock Braking System (ABS).
- Vehicle Stability Control (VSC), Traction Control (TRAC).
- 5-speed manual transmission, optional 5-speed automatic Electronically Controlled Transmission (ECT) with overdrive.
- AM/FM CD/MP3/WMA player, audio auxiliary input jack, 6-speakers, XM® satellite ready antenna with prewire.
- Reflector-style halogen headlamps.
- Air conditioning.
- Power windows with driver side auto down, power door locks.
- Dual heated, power adjustable mirrors.
- Side window defoggers.
- 16-inch steel wheels.
- P205/55R16 all-season radial tires.

**A.** Matrix XR Sport Value Package shown in Classic Silver Metallic. **B.** 60/40 split bench seat with fold-down seat back with passenger seats folded flat. **C.** Dual glove box.





# Matrix AWD

Built in Cambridge, Ontario, Matrix understands the challenge that winter driving can offer. To face the harsh Canadian weather or to simply enjoy some winter fun, Matrix comes available with All-Wheel Drive (AWD), to help optimize traction and get you to your destination safely and in style all year round. Matrix AWD also comes equipped with dual heated power adjustable mirrors so you can have a clear view of everything you've just passed.

## FUEL CONSUMPTION<sup>2</sup>

10.3 City/7.7 Highway L/100 km  
2.4-litre, 4-cylinder with automatic transmission

## SELECT FEATURES

- 158 hp, 2.4-litre, 4-cylinder, DOHC, 16-valve, VVT-i engine with sequential multiport electronic fuel injection.
- Power-assisted, ventilated front and solid rear disc brakes
- Antilock Braking System (ABS).
- 4-speed automatic Electronically Controlled Transmission (ECT) with lock-up torque converter.
- Vehicle Stability Control (VSC), Traction Control (TRAC).
- AM/FM CD/MP3/WMA player, audio auxiliary input jack, 4-speakers, XM® satellite ready antenna with prewire.
- Air conditioning, cabin air filter, rear seat heater ducts.
- 60/40 split rear bench seat with fold-down seat back.
- Reflector style halogen headlamps.
- P205/55R16 all-season radial tires.
- 16-inch steel wheels.
- Dual-stage driver and front passenger airbags, front seat-mounted side airbags, front and rear head/side curtain airbags Supplemental Restraint System (SRS).<sup>1</sup>



A



B

A. Matrix AWD XR Package shown in Radiant Red.  
B. Interior shown in Dark Charcoal.

# Matrix XRS

Slip behind the leather-wrapped steering wheel of the Matrix XRS and let the cockpit's controls and gauges embrace you. For premium sound quality, Matrix XRS features seven strategically placed speakers, allowing you to soak in the JBL® audio system's truly powerful sound. And with its 18-inch aluminum alloy wheels, front and rear underbody spoilers and power moonroof, the Matrix XRS is the perfect balance of slick handling and awe inspiring style.

## FUEL CONSUMPTION<sup>2</sup>

9.6 City/7.1 Highway L/100 km  
2.4-litre, 4-cylinder with manual transmission  
9.7 City/6.9 Highway L/100 km  
2.4-litre, 4-cylinder with automatic transmission

## SELECT FEATURES

- 158 hp, 2.4-litre, 4-cylinder, DOHC, 16-valve, VVT-i engine with sequential multiport electronic fuel injection.
- 5-speed manual transmission, optional 5-speed automatic Electronically Controlled Transmission (ECT) with Sequential Shift Mode and lock-up torque converter.
- Vehicle Stability Control (VSC), Traction Control (TRAC).
- Power-assisted, ventilated front and solid rear disc brakes, Antilock Braking System (ABS).
- Electric Rack and Pinion power steering.
- JBL® AM/FM CD/MP3/WMA 6-disc changer.
- Independent double wishbone type rear suspension.
- Chrome exhaust tip.
- P215/45R18 all-season radials tires.
- 18-inch aluminum alloy wheels.
- Tire pressure monitoring system.



A



B



C



D

A. Matrix XRS shown in Nautical Blue Metallic.  
B. Matrix XRS cockpit. C. Matrix XRS power moonroof. D. Overhead storage.



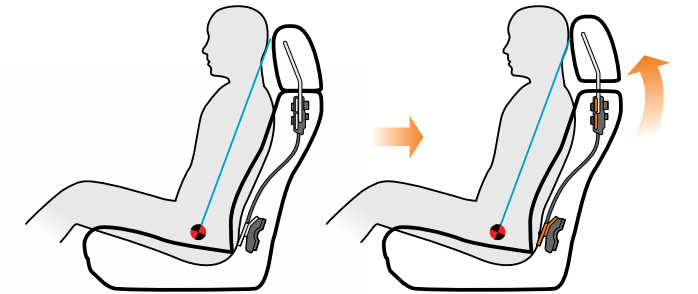
# Safety and Performance

When it comes to advanced safety engineering, the 2010 Matrix has got you covered. Augmenting the protection of 3-point seatbelts at every seating position, Matrix comes standard with a Supplemental Restraint System (SRS)<sup>1</sup> that consists of six airbags. Under the hood, Matrix has the ways and means to outperform. Matrix features a 132 hp 1.8-litre engine and 128 lb.ft. of torque, while the Matrix XR, AWD and XRS are equipped with a 158 hp 2.4-litre engine that produces 162 lb.ft. of torque. The secret? Variable Valve Timing with intelligence (VVT-i), a technology that times valve openings for an optimal balance of power and efficiency.



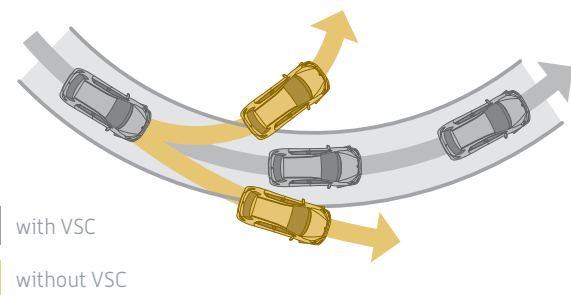
## SELECT FEATURES

- Antilock Braking System (ABS) with Brake Assist (BA) and Electronic Brake-force Distribution (EBD).
- Front and rear energy absorbing crumple zones.
- Side-impact door beams.
- Dual-stage driver and front passenger airbag Supplemental Restraint System (SRS).<sup>1</sup>
- Front passenger airbag occupancy classification indicator.
- Energy absorbing steering column.
- 3-point rear seatbelts in all positions with Automatic/Emergency Locking Retractor (ALR/ELR).
- Energy absorbing upper interior trim.
- 3-point front seatbelts with adjustable seatbelt anchors, driver's Emergency Locking Retractor (ELR) and passenger side Automatic/Emergency Locking Retractor (ALR/ELR).
- Front seatbelt pre-tensioners with force limiters.
- Anchor points for child restraint seats.

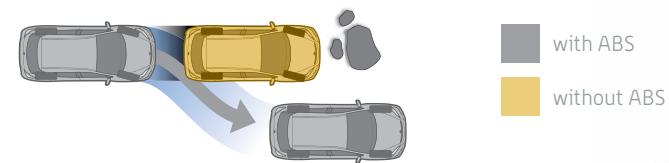


**ACTIVE FRONT HEADRESTS** Matrix comes standard with active headrests in the front seats that help keep the occupants' heads properly positioned in the event of a rear-end collision.

**INDEPENDENT DOUBLE-WISHBONE REAR SUSPENSION** The Matrix XRS and the Matrix AWD come with an independent Double-Wishbone Rear Suspension that allows each rear wheel to act and react to forces independently. The result? Both rear wheels are kept in maximum contact with the road surface, enhancing cornering grip when driving over rough or uneven road surfaces.



**ENHANCED VEHICLE STABILITY CONTROL (VSC)** Matrix drivers benefit from advanced technology designed to help cornering stability. Enhanced VSC automatically regulates engine output and brake-force distribution to the wheels, and provides Electric Power Steering (EPS) assist torque to help the driver steer in the direction that provides greatest control.



**ANTILOCK BRAKING SYSTEM (ABS)** The ABS pulses the brakes rapidly during hard braking to help keep the wheels from locking up, and thus help preserve steering control.



# Toyota Quality

Quality is built right into the production process from the selection of raw materials, right down to the vehicle's final inspection. And it is the responsibility of everyone to ensure the highest quality possible on each and every vehicle. It's through Toyota's philosophy of 'Kaizen' that we are always looking for ways to continually improve. That's how we make things better.

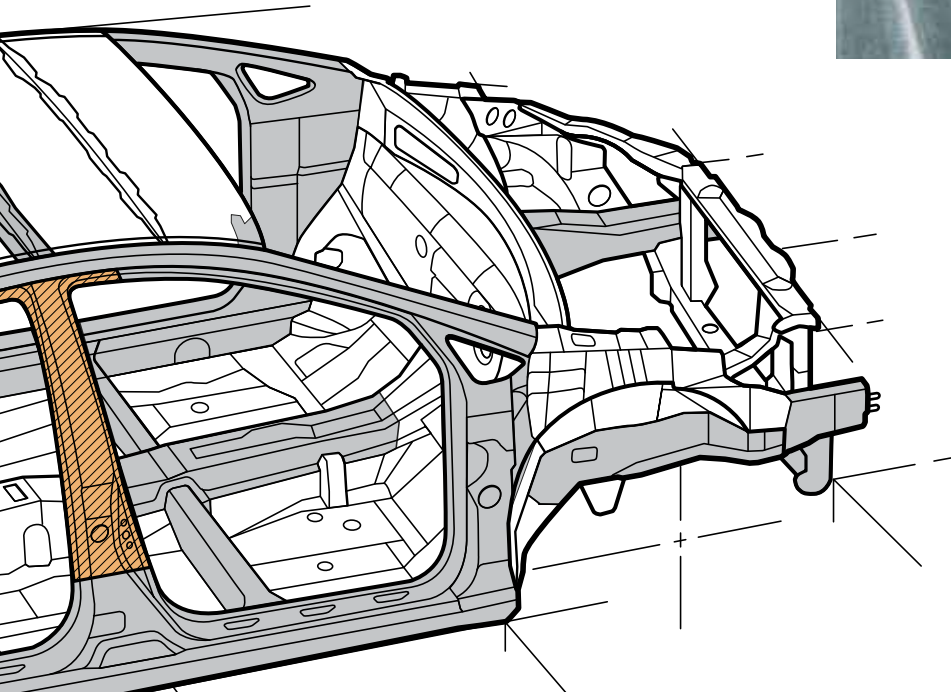
**THE TOYOTA PRODUCTION PROCESS** is one that is constantly evolving. With our "Just-In-Time" practice, the goal is to make certain that during the manufacturing process, only what is needed gets produced. The result is twofold: because there's no excess supply, any issues are exposed and promptly resolved to ensure that everything off of the Toyota assembly line is of exceptional quality.

**TOYOTA CANADA COLD RESEARCH CENTRE.** Located in Timmins, Ontario, our teams test Toyota vehicles in actual Canadian winter conditions at our cold weather testing track to ensure that they remain dependable throughout the long winter months.



**THE HUMAN TOUCH.** As impressive as the machinery is, the achievement of perfect fit and finish is also the result of continuous human touch for every step of the way.

For more information visit [toyota.ca](http://toyota.ca)



## 2010 Colours



040 Alpine White<sup>A,B</sup>



1F7 Classic Silver Metallic<sup>A,B</sup>



1G3 Magnetic Grey Metallic<sup>A,B</sup>



209 Black Sand Pearl<sup>A,B</sup>



3L5 Radiant Red<sup>A,B</sup>



4T6 Sundance Metallic<sup>A,B</sup>



8S6 Nautical Blue Metallic<sup>A,B</sup>



8T7 Blue Streak Metallic<sup>A,B</sup>

## Interior colour options

<sup>A</sup> Ash Fabric on Matrix, XR, AWD. <sup>B</sup> Dark Charcoal Fabric on Matrix with Touring Package, XR with Sport Value Package, XRS and AWD XR Package.

Please see your Toyota Dealer for details.

## New vehicle warranty summary

NO DEDUCTIBLES – NO TRANSFER FEES

**COMPREHENSIVE COVERAGE - 3 YEARS OR 60,000 KM** This warranty includes 24 hour Roadside Assistance and other benefits, as well as coverage of repairs on any part of the vehicle that is defective in material or workmanship under normal use and maintenance. Different warranties apply to original tires.

**POWERTRAIN COMPONENTS - 5 YEARS OR 100,000 KM** This warranty covers repairs to powertrain components that are defective in material or workmanship under normal use and maintenance.

**MAJOR EMISSION CONTROL COMPONENTS - 8 YEARS OR 130,000 KM** This warranty covers repairs to specified major emission components that are defective in material or workmanship under normal use and maintenance.

**CORROSION PERFORATION - 5 YEARS UNLIMITED DISTANCE** Any sheet metal found, under normal use, to have developed a perforation from corrosion due to defects in material or workmanship.



# Accessories

Personalize your vehicle to enhance its appearance and performance with Toyota Accessory Parts. Your Toyota Dealer can help you select the right accessories to suit your individual style. Many of Toyota's Accessory Parts can be residualized or advanced through Toyota Financial Services when purchased at the time of a new vehicle sale, and all are backed by a Toyota Warranty. To view a complete list of accessories specifically designed for your vehicle, visit [customizeyourtoyota.ca](http://customizeyourtoyota.ca), your local Dealer or [toyota.ca](http://toyota.ca).

## Customize your Matrix to suit your needs with these interior and exterior accessories.

- All-Season Mats
- Ashtray
- Auto-Dimming Mirror with Compass
- Block Heater
- Bluetooth<sup>®3</sup>
- Bodyside Mouldings
- Cargo Liner
- Cargo Net
- Cruise Control
- Door Sill Protectors
- Emergency Assistance Kit
- Exhaust Tip
- First Aid Kit
- Hood Deflector
- Licence Plate Cover
- Navigation System<sup>4</sup>
- Owner's Manual Wallet
- Rear Bumper Protector
- Rear Spoiler
- Remote Engine Starter
- Roof Rack Ski Carrier
- Satellite Radio
- Sport Pedals
- Towing Accessories



**Roof Rack Ski/Snowboard Carrier** For the winter sports lover, it's a convenient and easy way to carry a snowboard or up to two pairs of skis.



**Rear Bumper Protector** Protect your bumper from scratches and looking new for years to come.



**Cruise Control** Give your foot a rest on those long road trips. Once set, Cruise Control maintains your vehicle's speed and helps save on fuel.



**Bluetooth<sup>®3</sup>** Keep your hands on the wheel and your eyes on the road as you talk conveniently and safely through the Bluetooth<sup>®3</sup> hands free system.



**Exhaust Tip**



**Navigation System<sup>4</sup>** Find any destination with the push of a button.



**All-Season Mats** Safeguard your vehicle's interior against mud, slush and salt with custom-fitted All-Season Mats.

# Discover more with Toyota

At Toyota, our goal is to continuously make things better for you. That's why we offer a wide range of programs and services before and after your vehicle purchase designed to help make your Toyota experience the best it can be.



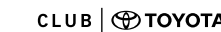
Fewer emissions and pollutants.<sup>1</sup> More kilometres on less fuel. And power and performance second to none. Available in Prius, Camry and Highlander, these latest generation Toyota hybrids offer you the best of all worlds.



Toyota Dealers are dedicated to making the experience of owning a Toyota both satisfying and rewarding. We service your Toyota the way we built it. So you can count on quality parts and professional service.



If you're looking at leasing or financing, we're here to help. We provide competitive interest rates, flexible terms, and an easy online pre-approval process. The toughest decision should be choosing which Toyota you want. Visit us at [www.toyotafinancialservices.ca](http://www.toyotafinancialservices.ca).



Enhance your Toyota ownership experience by joining Club Toyota – a complimentary and exclusive online service for Toyota owners. Benefit from an abundance of interactive services, and information conveniently at your fingertips. Register today at [clubtoyota.ca](http://clubtoyota.ca).



With Extra Care Protection you receive inflation protected coverage from mechanical failures, road emergencies, and much more. It's affordable peace of mind. Consult your Toyota Dealer for details.



The Toyota Mobility program is dedicated to addressing the transportation needs of Toyota Owners who have a disability, or know a family member with a disability or mobility issue. The program offers cash assistance, resource information and financing for adaptive equipment for their vehicle.



All new Toyota cars and trucks include a full tank of gas, roadside assistance and floor mats.



**Toyota Graduate Program** This program assists new graduates in their purchase of a New or Certified Used Toyota. The program differs depending on the model chosen. Be sure to ask your Dealer when purchasing your Toyota. Some conditions may apply.

<sup>1</sup>Compared against similarly equipped conventional gasoline powered vehicles. Based on North American sales data and Federal Tier 2 engine emission requirements.

# Working together to make things better.

Through education, inspiration, financial support and a long standing commitment to the environment, Toyota Canada is proud to contribute to various community programs that are devoted to the betterment of our planet. To learn more about how we are working to make things better, visit us at [Toyota.ca](http://Toyota.ca)



Photo: Joshua Berson



Photo: Evergreen – Jane Churchill



**Toyota Evergreen Learning Grounds**  
Toyota Canada Inc. and its Dealerships partnered with Evergreen in 2000 to create the Toyota Evergreen Learning Grounds Program, that is transforming Canadian school grounds into natural learning environments. For more information visit [evergreen.ca](http://evergreen.ca)



**Toyota Earth Day Scholarship Program**  
Toyota Canada Inc. and Earth Day Canada established the Toyota Earth Day Scholarship Program in 2003 to recognize and reward graduating high school students who have distinguished themselves through environmental, volunteer and academic excellence. Each year, 15 scholarships are awarded coast to coast, allowing Canada's future environmental leaders to continue their studies. For more information visit [earthday.ca](http://earthday.ca)



**Special Olympics Canada**  
Toyota Canada Inc. and its Dealers are National Sponsors of Special Olympics Canada, which is dedicated to making a difference in the lives of Special Olympics athletes. Toyota Canada Inc. reaches out to Special Olympics athletes whenever possible through participation in events at a local, regional, provincial and national level. For more information visit [specialolympics.ca](http://specialolympics.ca)

# 2010 Matrix Features

INTERIOR	Matrix	Matrix XR	Matrix AWD	Matrix XRS
AM/FM CD/MP3/WMA Player, Audio Auxiliary Input Jack, Roof-Mounted Antenna, XM® Satellite Ready Antenna w/Prewire	●	●	●	–
4-Speakers	●	–	●	–
6-Speakers	–	●	–	–
JBL® AM/FM CD/MP3/WMA 6-Disc Changer, Audio Auxiliary Input Jack, Bluetooth® <sup>3</sup> Capability, Steering Wheel Audio Controls, 7-Speakers, Integrated XM® Satellite Radio	–	–	–	●
Air Conditioning	–	●	●	●
Cabin Air Filter, Rear Seat Heater Ducts	●	●	●	●
Fabric Seat Material	●	●	●	–
Sport Fabric Seat Material	–	–	–	●
Driver Bucket Seat w/Recline, Cushion Height Adjustment	●	●	●	●
Front Passenger Bucket Seat w/Recline	●	●	●	●
Front Passenger Seat Fold-Down Seat Back	–	●	●	●
60/40 Split Rear Bench Seat w/Fold-Down Seat Back	●	●	●	●
All-Position Vertically Adjustable Headrests	●	●	●	●
Power Windows w/Driver Side Auto Down, Power Door Locks	–	●	●	●
Optitron Instrumentation Gauges, Tachometer, Water Temperature Gauge, Outside Temperature Gauge, Dual Trip Odometer	●	●	●	●
Dual Vanity Mirrors	●	●	●	●
Auto-Dimming Rear View Mirror w/Compass	–	–	–	●
Silver Painted Inner Door Handles	–	●	●	●
3-Spoke Tilt, Telescopic Steering Wheel	●	●	●	●
Leather-Wrapped Steering Wheel	–	–	–	●
Fabric Headliner	●	●	●	●
Driver Footrest	●	●	●	●
Carpeting, Carpet Floor Mats, Tonneau Cover	●	●	●	●
Stainless Steel Scuff Plates	–	–	–	●
Cruise Control	–	●	–	●
Digital Clock	●	●	●	●
Front & Rear Cup Holders	●	●	●	●
Front & Rear Door Integrated Bottle Holders	●	●	●	●
Accessory Power Outlet	●	●	●	●
Accessory Power Outlet (115v)	–	–	–	●
Driver's Coin Case Compartment	●	●	●	●
Door Map Pockets, Coat Hooks, Shopping Bag Hooks	●	●	●	●
Driver's Seat Back Pocket, Centre Console Box	●	●	●	●
Overhead Sunglass Storage	–	–	–	●
Map Lamps	●	●	●	●
Cargo Lamp	●	●	●	●
Cargo Area Tie-Down Rings	●	●	●	●
Keyless Entry	–	●	●	●
Illuminated Entry	●	●	●	●

● = Standard ○ = Optional – = Not Available

SAFETY	Matrix	Matrix XR	Matrix AWD	Matrix XRS
Dual-Stage Driver & Front Passenger Airbag Supplemental Restraint System (SRS) <sup>1</sup>	●	●	●	●
Front Passenger Airbag Occupancy Classification Indicator	●	●	●	●
Front Seat-Mounted Side Airbags (SRS) <sup>1</sup>	●	●	●	●
Front & Rear Head/Side Curtain Airbags (SRS) <sup>1</sup>	●	●	●	●
Active Front Headrest	●	●	●	●
Front Seatbelt Pre-Tensioners & Force Limiters	●	●	●	●
All-Position 3-Point Lap & Shoulder Belts	●	●	●	●
Front Seatbelt Anchor Height Adjusters	●	●	●	●
Anchor Points for Child Restraint Seats	●	●	●	●
Child Protector Rear Door Locks	●	●	●	●
Assist Grips	●	●	●	●
Engine Immobilizer	●	●	●	●
Remote Fuel Lid Release	●	●	●	●
Low Engine Oil Level, Low Fuel, Low Washer Fluid, Door Ajar, Headlamps On, Driver & Front Passenger Seatbelt Warning Indicators	●	●	●	●
Tire Pressure Monitoring System	–	●	●	●

EXTERIOR	Matrix	Matrix XR	Matrix AWD	Matrix XRS
16" Steel Wheels, Wheel Covers	●	●	●	–
18" Aluminum Alloy Wheels, Wheel Locks	–	–	–	●
Side Window Defoggers	●	●	●	●
Electric Rear Window Defroster w/Timer	●	●	●	●
Fuel Cap Hanger	●	●	●	●
Coloured Bumpers, Front & Rear Splash Guards	●	●	●	–
Coloured Door Handles	–	–	●	–
Coloured Mirrors, Door Handles	–	●	–	●
Front & Rear Underbody Spoilers, Coloured Bumpers, Power Moonroof	–	–	–	●
Rear Bumper Protector	–	●	–	●
Roof Mounted Spoiler, Chrome Exhaust Tip	–	–	–	●
High Solar Energy Absorbing Window Glass	●	●	●	●
Dual Black, Heated, Power Adjustable Mirrors	●	–	●	–
Dual Coloured, Heated, Power Adjustable Mirrors	–	●	–	●
Intermittent Wipers, Rear Window Intermittent Wiper/Washer	●	–	●	–
Variable Intermittent Wipers, Rear Window Intermittent Wiper/Washer	–	●	–	●
Reflector-Style Halogen Headlamps	●	●	●	●
Fog Lamps	–	–	–	●

PACKAGES	Matrix	Matrix XR	Matrix AWD	Matrix XRS
<b>Convenience Package:</b> Air Conditioning, Power Windows, Power Door Locks, Keyless Entry, Tire Pressure Monitoring System, Coloured Door Handles, Rear Bumper Protector				
<b>Touring Package:</b> Convenience Package plus Vehicle Stability Control, Traction Control, 16" Aluminum Alloy Wheels, Wheel Locks, Cruise Control, Fog Lamps, Roof-Mounted Spoiler, Stainless Steel Scuff Plates		○	–	–
<b>XR Upgrade Package:</b> 17" Aluminum Alloy Wheels, Wheel Locks, Steering Wheel Audio Controls, P215/45R17 All-Season Radial Tires, Leather-Wrapped Steering Wheel, Roof-Mounted Spoiler			○	–
<b>XR Sport Value Package:</b> XR Upgrade Package plus Power Moonroof, Front & Rear Underbody Spoilers, Chrome Exhaust Tip, Fog Lamps, Overhead Sunglass Storage, Stainless Steel Scuff Plates (Delete Front & Rear Splash Guards)			–	○
<b>AWD XR Package:</b> 6-Speaker Audio, Steering Wheel Audio Controls, P215/45R17 All-Season Radial Tires, 17" Aluminum Alloy Wheels, Wheel Locks, Cruise Control, Leather-Wrapped Steering Wheel, Roof-Mounted Spoiler, Coloured Mirrors, Rear Bumper Protector		–	–	○

# 2010 Matrix Specifications

MECHANICAL	Matrix	Matrix XR	Matrix AWD	Matrix XRS
<b>Engine</b> 1.8 Litre, 4-Cylinder, DOHC, 16-Valve, Dual Variable Valve Timing w/Intelligence (Dual VVT-i), Sequential Multiport Electronic Fuel Injection	●	–	–	–
2.4 Litre, 4-Cylinder, DOHC, 16-Valve, Variable Valve Timing w/Intelligence (VVT-i), Sequential Multiport Electronic Fuel Injection	–	●	●	●
<b>Compression Ratio</b> 10.0:1 9.8:1	●	–	–	–
<b>Horsepower</b> 132 hp [98.4 kW] @ 6000 rpm 158 hp [118 kW] @ 6000 rpm	●	–	–	–
<b>Torque</b> 128 lb.ft. [174 N.m.] @ 4400 rpm 162 lb.ft. [220 N.m.] @ 4000 rpm	●	–	–	–
<b>Suspension</b> <b>Front:</b> Independent MacPherson Strut w/Stabilizer Bar, Coil Springs <b>Rear:</b> Torsion Beam Type w/Stabilizer Bar, Gas Shock Absorbers, Coil Springs <b>Rear:</b> Independent Double-Wishbone w/Stabilizer Bar and Sport Strut Tower Brace, Gas Shock Absorbers, Coil Springs <b>Front:</b> Sport Strut Tower Brace	●	●	●	●
<b>Drivetrain</b> Front Engine/Front Wheel Drive Active Torque Control System, AWD Vehicle Stability Control (VSC), Traction Control (TRAC)	●	●	–	●
<b>Transmission</b> 5-Speed, Manual, Overdrive 4-Speed, Automatic, Overdrive, Electronically Controlled Transmission (ECT), Lock-Up Torque Converter 5-Speed, Automatic, Overdrive, Electronically Controlled Transmission (ECT), Lock-Up Torque Converter, Sequential Shift Mode, Transmission Cooler	●	●	–	●
<b>Brakes</b> Power-Assisted, Ventilated Front Discs, Solid Rear Discs Antilock Braking System (ABS) w/Electronic Brake-force Distribution (EBD) & Brake Assist (BA)	●	●	●	●
<b>Steering</b> Electric Rack & Pinion w/Variable Power Assist	●	●	●	●
<b>Tires</b> P205/55R16, All-Season Radials, Compact Spare P215/45R18, All-Season Radials, Compact Spare P215/45R17, All-Season Radials	●	●	●	–

● = Standard ○ = Optional – = Not Available

DIMENSIONS	mm (in.)	Matrix	Matrix XR	Matrix AWD	Matrix XRS
<b>Length</b>	4365 [171.8] 4395 [173.0]	●	●	●	–
<b>Width</b>	1765 [69.5]	●	●	●	●
<b>Height (Unloaded)</b>	1550 [61.0] 1560 [61.4]	●	●	–	–
<b>Wheelbase</b>	2600 [102.3]	●	●	●	●
<b>Track</b>	<b>Front:</b> 1519 [59.8] <b>Rear:</b> 1522 [59.9]	●	●	●	●
<b>Seating Capacity</b>	5	●	●	●	●
<b>Headroom</b>	<b>Front:</b> 1029 [40.5] <b>Rear:</b> 999 [39.3] <b>Front:</b> 988 [38.9] w/Moonroof <b>Rear:</b> 982 [38.6] w/Moonroof	●	●	●	–
<b>Legroom</b>	<b>Front:</b> 1057 [41.6] <b>Rear:</b> 919 [36.2]	●	●	●	●
<b>Shoulder Room</b>	<b>Front:</b> 1354 [53.3] <b>Rear:</b> 1336 [52.6]	●	●	●	●
<b>Ground Clearance</b>	147.2 [5.8] 135.0 [5.3]	●	●	●	–

CURB WEIGHT	kg (lb.)	Matrix	Matrix XR	Matrix AWD	Matrix XRS
Manual	1290 [2844] 1350 [2976] 1395 [3075]	●	–	–	–
Automatic	1310 [2888] 1385 [3053] 1430 [3152] 1485 [3274]	○	–	–	–

TOWING CAPACITY	kg (lb.)	Matrix	Matrix XR	Matrix AWD	Matrix XRS
	680 [1500]	●	●	●	●

CARGO CAPACITY	m <sup>3</sup> (cu.ft.)	Matrix	Matrix XR	Matrix AWD	Matrix XRS
	1.4 [49.4] Behind Front Seats 0.56 [19.8] Behind Rear Seats	●	●	●	●

TURNING CIRCLE	m (ft.)	Matrix	Matrix XR	Matrix AWD	Matrix XRS
	11.0 [36.0] 11.2 [36.7] 11.6 [38.1]	●	●	–	–

FUEL CAPACITY	litres (gal)	Matrix	Matrix XR	Matrix AWD	Matrix XRS
	50.0 [11.0]	●	●	●	●

FUEL CONSUMPTION RATING <sup>2</sup>	L/100 km	mpg	Matrix	Matrix XR	Matrix AWD	Matrix XRS
City/Highway/Combined						
Manual	7.8/6.2/7.1	36/46/40	●	–	–	–
Manual	9.6/7.1/8.5	29/40/33	–	●	–	●
Automatic	8.1/6.2/7.2	35/46/39	○	–	–	–
Automatic	9.7/6.9/8.4	29/41/34	–	○	–	○
Automatic	10.3/7.7/9.1	27/37/31	–	–	●	–

<sup>1</sup>All Toyota vehicles shown in this brochure, have Supplemental Restraint Systems (SRS) which, depending on the model, may include driver and front passenger airbags, front seat-mounted side airbags or side curtain airbags. For important safety information about the Supplemental Restraint System in a vehicle, please see the Owner's Manual or contact your local Toyota Dealer.

<sup>2</sup>These estimates are based on the Government of Canada's approved criteria and testing methods. The actual fuel consumption of this vehicle may vary. Refer to the Government of Canada publication *EnerGuide Fuel Consumption Guide*.

<sup>3</sup>Toyota tests certain phones for compatibility with Bluetooth technology. Some vehicles equipped with Bluetooth technology are available with bilingual capability. Note that the recommendation of Toyota is not a warranty of the performance for any phone and that some problems may occur with any type of handset based on the service coverage available in your area. Please see your Toyota Dealer for details.

<sup>4</sup>The Toyota DVD based Navigation system is designed to assist in locating an address or point of interest. Discrepancies may be encountered between the system and your actual location. Changes in street names, road closures, traffic flow or other road system changes may affect the accuracy of the mapping software. Rely on your common sense to decide whether or not to follow a specified route. Detailed coverage is not available in every city. Optional periodic geographic updates are available at an additional cost. The Navigational Systems in some vehicles are available with bilingual capability. Please see your Navigation System Owner's Manual and your Toyota Dealer for further details.

CURB WEIGHT	kg (lb.)	Matrix	Matrix XR	Matrix AWD	Matrix XRS
Manual	1290 [2844] 1350 [2976] 1395 [3075]	●	–	–	–
Automatic	1310 [2888] 1385 [3053] 1430 [3152] 1485 [3274]	○	–	–	–

TOWING CAPACITY	kg (lb.)	Matrix	Matrix XR	Matrix AWD	Matrix XRS
	680 [1500]	●	●	●	●

CARGO CAPACITY	m <sup>3</sup> (cu.ft.)	Matrix	Matrix XR	Matrix AWD	Matrix XRS
	1.4 [49.4] Behind Front Seats 0.56 [19.8] Behind Rear Seats	●	●	●	●

TURNING CIRCLE	m (ft.)	Matrix	Matrix XR	Matrix AWD	Matrix XRS
	11.0 [36.0] 11.2 [36.7] 11.6 [38.1]	●	●	–	–

FUEL CAPACITY	litres (gal)	Matrix	Matrix XR	Matrix AWD	Matrix XRS
	50.0 [11.0]	●	●	●	●

FUEL CONSUMPTION RATING <sup>2</sup>	L/100 km	mpg	Matrix	Matrix XR	Matrix AWD	Matrix XRS
City/Highway/Combined						
Manual	7.8/6.2/7.1	36/46/40	●	–	–	–
Manual	9.6/7.1/8.5	29/40/33	–	●	–	●
Automatic	8.1/6.2/7.2	35/46/39	○	–	–	–
Automatic	9.7/6.9/8.4	29/41/34	–	○	–	○
Automatic	10.3/7.7/9.1	27/37/31	–	–	●	–

**Toyota Canada Inc.** Every effort has been made to ensure the specifications and equipment shown are accurate based on information available at time of printing. In some cases, certain changes in production capacity, standard equipment, options or product delays may occur which would not be reflected in this brochure. Toyota Canada Inc. reserves the right to make these changes without notice or obligation. The Toyota website [toyota.ca](http://toyota.ca) – or your Toyota Dealer is your best source for up-to-date information.





Yaris Hatchback



Camry Hybrid



RAV4



4Runner



Yaris



Prius



Highlander



Sequoia



Corolla



Venza



Highlander Hybrid



Tacoma



Matrix



Avalon



FJ Cruiser



Tundra



Camry



Sienna

Our Toyota dealers realize that building a lasting relationship is about more than just selling a vehicle. That's why our approachable staff is always happy to assist you, whatever your need may be. To find a Dealer nearest you, visit [toyota.ca](http://toyota.ca)



Toyota recognizes its duty to safeguard the environment. Please recycle.

