

**Ford**PeopleMovers

Feel the difference





## Obsession is a good thing

Do you mind that your new Ford commercial vehicle is a result of minuscule design improvements to make it more efficient?

Do you mind that we carried out extreme tests of reliability? (Such as 250,000 door slams on the same door.)

Do you mind that we dedicated hundreds of thousands of hours working out how to reduce your cost of ownership?

Do you mind that 300 specialist engineers tested every single component in your vehicle?

We think obsession is a good thing when you build commercial vehicles. If you drive one, you probably agree with us.

**Model:** Transit 12-seat minibus  
**Option:** (at extra cost) metallic paint



## Ford People Movers

The first rule in business is to create the right impression. And there's no better way to do that than to arrive in style. So the Ford People Mover range includes some of the safest, best looking and most dependable vehicles on the road.

For more information, please visit: [www.ford.co.uk](http://www.ford.co.uk)



## Comfort and control

The Ford Transit's superb car-like interior perfectly complements its dynamic exterior style. Its two-tone instrument panel gives the cab a light and luxurious feel, and is brimming with innovative, unique stowage features. Clear instruments and easy-to-use controls help make your time at the wheel more relaxing and enjoyable, while reinforcing the high level of quality and craftsmanship to be found throughout the entire vehicle.

Model: Transit Tourneo Limited



**Model:** Tourneo 8-seat Limited  
**Option:** (no charge on Limited) metallic paint

### Style with substance

The right image is essential for any business. But style is nothing without substance. So the Tourneo and Ford Transit Minibus range are far more than simply an attractive face. Beneath the bold and stylish surface you will find all the indisputable factors that have made the Tourneo and Ford Transit Minibus amongst the most respected vehicles in their group. Plus a number of exciting innovations such as the availability of Bluetooth® wireless technology and satellite navigation, and appealing interior fabrics, as well as a leather, trim option for a luxurious, car-like environment in the Tourneo.

**Note** The Bluetooth® word mark and logos are owned by Bluetooth SIG, Inc. and any use of such marks by Ford Motor Company Limited and its associated companies is under license. Other trademarks and trade names are those of their respective owners.



**Model:** 17-seat minibus medium roof  
**Option:** (at extra cost) metallic paint



## Safety and security

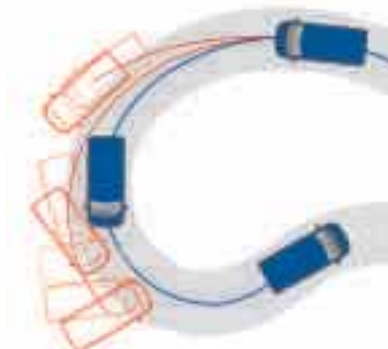
As a business user, you need to have confidence in your vehicle. Not just in its performance, but also in the way it looks after you and your passengers. So the Ford Transit has been built to provide reassuring levels of protection, because you only feel comfortable when you feel safe.

It's tough on the streets. So the Ford Transit is endowed with end-to-end strength to command respect when tangling with city traffic. Plus, one of the most comprehensive safety and security packages in the business.

Ford Transit is equipped with four-wheel anti-lock disc brakes and ESP\* (Electronic Stability Programme).

### Electronic Stability Programme

ESP incorporating ABS, senses when the vehicle is deviating from the driver's chosen line and automatically applies the necessary power and braking adjustments to correct its road position. Brake Assist – a system that detects emergency braking and applies maximum braking effort to potentially reduce the stopping distance. Brake Traction Control System (BTCS) to aid traction when pulling away from rest. Hill Launch Assist (HLA) prevents the vehicle from rolling back when pulling away on a slope.



— Vehicle with ESP.  
— Vehicle without ESP.

**A** Vehicle experiences understeer on approach.

**B** Vehicle experiences oversteer on exit to bend.

\*ESP/Hill Launch Assist is not available on all-wheel drive models.

\*M1 passenger car crash testing requires that a vehicle's seats, seat belts and mountings withstand a 20 g deceleration from 30 mph. This is twice that required for M2 commercial certification, which is the legal requirement for minibuses.

\*Note: A rear-facing child seat should never be placed in the front passenger seat when the Ford vehicle is equipped with an operational front passenger's airbag.

\*\*12 seat – third and fourth rows only.

The Ford Tourneo and Minibus reinforced body structure offers plenty of all-round passive protection. Plus a wealth of sophisticated active safety features too. These include four-wheel disc brakes with ABS (anti-lock brakes) and electronic brake-force distribution to help prevent the rear wheels from locking-up.

Every Tourneo and Ford Transit Minibus benefits from numerous practical safety features, including a driver and front outer passenger airbag as standard. Optional side airbags are also now available (standard on leather seats).

All of the seats are equipped with three-point lap and diagonal seat belts. Second row seats are provided with ISOFIX anchorage points to ensure the secure installation and easy removal of child seats. Ford was also the first manufacturer to test seat belts to M1\* passenger car levels, well in advance of any legislative requirements.

### Key safety features available include:

- Brake Assist and Brake Traction Control System (BTCS)
- Hill Launch Assist (HLA)\* – prevents vehicle rolling back when on a slope
- Driver's airbag
- Outer front passenger's airbag\*
- Side airbags (option - Tourneo only)
- Three-point lap and diagonal seat belts
- Height adjustable 'generation' style rear seat belts (12-\*\*, 14-, 15-, 17-seat minibus)
- ISOFIX child seat mounting points in the centre and outer passenger 2nd row seat (not 14, 15, 17 seat minibus)

With a host of awards to its name, the Ford Transit is consistently recognised by the industry as one of the leaders for security. The latest model builds on this reputation to offer a comprehensive portfolio of affordable and proven security technology.

All Ford Transits come with a Ford Safeguard Passive Anti-Theft System (PATS) engine immobiliser (certified to Thatcham Category 2), high-security shielded locks with strengthened mountings, lockable fuel filler, visible Vehicle Identification Number (VIN) and VIN-protected audio units.

### Key security features available include:

- PATS Engine immobiliser
- High-security shielded locks with strengthened mountings
- Key-locking bonnet - protects from tampering
- 'Torque slip' anti-theft steering wheel – renders steering wheel inoperative if excessive force applied
- Remote central locking (minibus), remote central double-locking (Tourneo)
- Visible VIN (Vehicle Identification Number)

**Self-charging waterproof key fob**  
(Standard)



**High-security shielded locks**  
with strengthened mountings.



### Occupant safety

A driver's airbag is standard, with seat-mounted side, head and thorax airbags available as options.





### **Serious business**

Commercial vehicle running costs are a serious consideration for every business. At Ford, we're obsessive about this key area of ownership – and it results in a range of new Ford commercial vehicles that are more economical to run and more dependable than ever before.

## 10 ways a new Ford saves you money

### **1. Further between fill-ups**

Fuel is the single biggest expense for many commercial vehicle operators. In addition to designing commercial vehicles that are as fuel-efficient as possible, we're adding new features that make them easier to drive in an economical style.

### **2. Going the extra mile(s)**

Proper maintenance is vital to good fuel economy and a long service life. But we know you want your van to be out on the road earning its keep – so we never stop looking for new ways of increasing the time and distance you can cover between routine services.

### **3. Passionate about what we do**

We're dedicated to developing the most hard-working and efficient commercial vehicles that money can buy. This is why we scrutinise every detail of every design – no matter how small – to see if even the most minuscule improvements can be found.

### **4. There when you need us**

No one knows your Ford better than the Ford-trained technicians throughout our extensive Dealer network. In addition, European Roadside Assistance comes as standard with your new Ford commercial vehicle.

### **5. Today and tomorrow**

We offer a range of fixed-cost servicing, extended warranty, and roadside assistance plans that mean continued worry-free operation. We can tailor warranty packages to suit a variety of requirements, extending your coverage year by year or for a fixed time period.

### **6. Real-world thinking**

Sometimes the small things can make all the difference. Transit's rechargeable and waterproof key fob means no expense and inconvenience of getting a new remote-control battery. Likewise, mounting the lockable spare wheel under the vehicle's load area and the jack in the front footwell allow quick, easy tyre changes.

### **7. Testing, testing, testing...**

We leave nothing to chance. We're relentless. Every component in a Ford commercial vehicle has been rigorously tested by over 300 specialist engineers at our state-of-the-art Lommel Proving Ground in Belgium with its 80 km of test road.

### **8. A new milestone**

Ford Transit passed another milestone in 2010, when the six-millionth example of this iconic vehicle rolled off the production line. The past 45 years have been an amazing ride – and everyone at Ford is looking forward to the next 45 being just as exciting.

### **9. Making finance easy**

Ford Credit and Ford Insure make purchasing, leasing and insuring your commercial vehicle easy and affordable. Ford Acquire provides flexible repayment terms and deposit levels. Ford Business Partner can look after everything from maintenance and repairs to accident management, so you can concentrate on your business. And Ford Credit even lets you manage your account online.

### **10. Driving down your fuel bill**

Rising fuel prices mean we're all feeling the pinch at the pumps. You may be surprised to hear that small changes to your driving style could cut your fuel bill by as much as 20 per cent – while helping the environment, too!



**Model:** Transit 15-seat minibus  
**Options:** (at extra cost) metallic paint

**Digital tachograph**  
Sets new standards for performance, technology, design and tamper proofing (May be a legal requirement on some variants).



The Ford People Mover advanced engine range is characterised by higher power, lower fuel consumption and greater torque. The superb torque characteristics mean that the engine reacts instantaneously to the driver's input which gives responsive performance from rest, on inclines or at speed, with fewer gear changes required.

## Power you can count on

### Advanced Technologies

Our line-up of Stage IV Duratorq TDCi diesel engines uses advanced design and technology to boost performance and efficiency. The latest common-rail fuel-injection system helps shape a hard-working combination of horsepower and torque for superior load carrying and towing capability.

All engines comply with Stage IV emissions legislation. Stage IV is the latest legal requirement needing 50% reductions in oxides of nitrogen (NO<sub>x</sub>) and 40% reductions in particulates below previous Stage III levels.

### Pulling power

For some operators, towing is an everyday way of life; for others, it is an occasional event. With up to 375 Nm of torque available, and maximum Gross Train Mass (GTM) ranging from 4500 kg to 6300 kg\*, the Ford Transit is thoughtfully designed to cope with whatever demands you make.

\*Depending on engine, transmission and final drive ratio.

### Long-range fuel tank

The 103-litre fuel tank offers an extra 23 litres capacity over the standard tank for less frequent fuel stops, saving you both time and money. Available on 14-, 15- and 17- seat models.

### Energy Management

Ford 9-, 12-, 14-, 15-, and 17- minibuses are equipped with twin batteries. This arrangement allows the second battery to power whatever accessory is needed when the engine is switched off, leaving the primary battery in a high state of charge for dependable start and run operation.

## Together we can care for the environment

Thanks to smart ideas and clever refinements, Ford's advanced technology is creating cleaner, more fuel-efficient vehicles today.

### We're working to reduce your costs

From our fuel-efficient Duratorq TDCi diesel engines to 6-speed manual transmissions; coated diesel particulate filters to revised final drive ratios, our affordable technologies are providing benefits to the environment – and your pocket.

Other initiatives, such as gearshift indicator lights and speed limiters, provide a helpful aid to using less fuel, and encourage a smoother driving style.

### A sustainable future

Ford vehicles are among the most environmentally efficient on the road, but our commitment to a sustainable future reaches far beyond our model range and into other areas of operation.

Across Europe, many of our facilities now receive their electricity from renewable sources, including wind, solar, hydro and waste generation, helping to further reduce our carbon footprint.

### Speed limiter

Available on all diesel models with speed limits set for specific needs. (62mph limiter is standard on all M2 models)



### Taking a leading role in recycling

Ford is continually aiming to improve the recyclability of its commercial vehicles.



### Shift indicator light

Tells you the optimum time to change gear. (Available on all diesel models)



### Coated diesel particulate filter (cDPF)

Maintenance-free cDPF reduces exhaust particulate emissions. (Available on all diesel models)



### Award-winning eco plant

Our Dagenham Diesel Centre (UK) derives all its electricity from renewable sources.







The power to deliver a top quality job is the key to success in any business. So our comprehensive range of engines and transmissions has been developed to withstand the rigours of working life. Add to that the choice between front- and rear-wheel drive, and the confidence-inspiring full-time all-wheel drive system, and you can trust the Ford Transit to put out the muscle when you need it most.

Driven by the way you work

#### Front-wheel drive

- Lower load floor for easier entry and exit
- Greater passenger space and extra interior height
- Outstanding manoeuvrability and driving feel



#### Availability

Tourneo, 9/12-seat Minibus

#### Diesel (FWD)

##### (Tourneo, 9/12-seat Minibus)

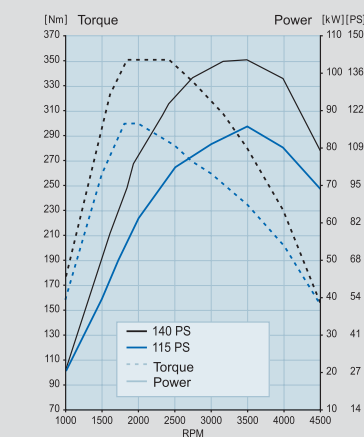
2.2 Duratorq TDCi engine, available in two power and torque configurations:

- 115 PS/300 Nm
- 140 PS/350 Nm

#### Transmissions

- Durashift 6-speed manual transmission

#### Diesel (FWD)



#### Rear-wheel drive

- Traditional layout for heavier duty applications
- Ideal choice when towing
- Superior traction under power, particularly when laden
- Enhanced steering quality



#### Availability

14/15/17-seat Minibus

#### Diesel (RWD)

##### (14/15/17-seat Minibus)

2.4 Duratorq TDCi engine, available in three power and torque configurations:

- 100 PS/285 Nm
- 115 PS/310 Nm
- 140 PS/375 Nm

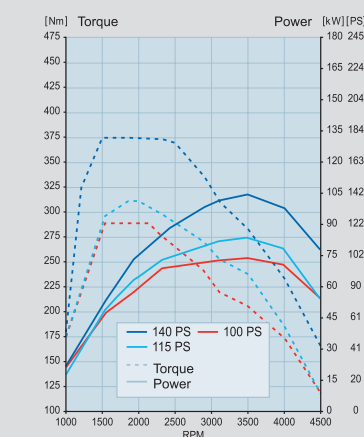
3.2 Duratorq TDCi 5-cylinder engine (not available for 17-seat Minibus):

- 200 PS/470 Nm

#### Transmissions

- Durashift 6-speed manual\*

#### Diesel (RWD)



\*standard on 100PS from Autumn 2010.

Built on a medium wheelbase, medium roof configuration the Ford Transit Shuttle Bus 9-seat offers generous passenger accommodation and a large, easily accessible caged luggage compartment.

## Ford Transit Shuttle Bus 9-seat



Medium roof

### Standard features include:

- Left-hand and right-hand passenger sliding doors (SVO delete right-hand door option available)
- Twin opening rear doors
- 2,200 litre luggage cage with tubular mesh bulkhead behind passenger compartment
- Luggage compartment lighting
- Anti-lock brakes (ABS) with electronic brake-force distribution
- Electronic stability programme (ESP) with hill launch assist (HLA)
- Three-point lap and diagonal inertia reel seat belts
- Driver's and outboard passenger's airbag\*
- ISOFIX child seat attachments\*\*
- Dual front passenger's seat with height-adjustable head restraints
- Electrically-operated front windows
- Powerful, quiet heating and ventilation system with air recirculation facility
- Choice of high-quality Ford audio systems and satellite navigation
- First aid kit and fire extinguisher
- Remote central locking
- Rear wiper and heated rear windows

- Light tinted glass
- Sliding 2nd row windows
- Second row triple seat
- Third row triple seat

\*Note: A rear-facing child seat should never be placed in the front passenger seat when the Ford vehicle is equipped with an operational front passenger's airbag.  
\*\*Centre and offside 2nd row seats



### Luggage compartment

2200 litre load area with tubular mesh bulkhead.



### Twin sliding side doors (Standard)



### Sliding windows

Fitted in the side doors as standard.





The Ford Transit Minibus 12-seat uses a medium wheelbase, medium roof configuration. Internally, the seating is arranged in four rows of three seats to provide comfortable, roomy accommodation for every occupant.

### Ford Transit Minibus 12-seat



Medium roof

#### Standard features include:

- Left-hand and right-hand passenger sliding doors
- Twin opening rear doors
- Anti-lock brakes (ABS) with electronic brake-force distribution
- Electronic stability programme (ESP) with hill launch assist (HLA)
- Three-point lap and diagonal inertia reel seat belts (height-adjustable 'generation-style' rear seat belts on third and fourth row seats)
- Driver's and outer front passenger's airbags\*
- ISOFIX child seat attachments\*\*
- Dual front passenger's seat with height-adjustable head restraints
- Electrically-operated windows
- Powerful, quiet heating and ventilation system with air recirculation facility, and (at extra cost) optional rear compartment heating
- Choice of high-quality Ford audio systems and satellite navigation
- 'Schedule 6 Pack' including first aid kit, fire extinguisher, A-pillar and sliding door passenger assist grab handle, emergency door decals, side and rear door step illumination
- Remote central locking
- Rear wiper and heated rear windows
- Light tinted glass
- Second row triple seat
- Third row dual and single seat
- Fourth row triple seat

\*Note: A rear-facing child seat should never be placed in the front passenger seat when the Ford vehicle is equipped with an operational front passenger's airbag.  
\*\*Centre and offside 2nd row seats



Luggage compartment  
Generous loadspace capacity.



Twin sliding side doors  
(Standard)



Sliding Windows  
(Standard)





For larger group transportation, look no further than the long wheelbase Ford Transit Minibus 14-, 15-seat and LWB EL 17-seat models. Both versions come with a medium height roof, while the 17-seat is also offered with a high roof option for maximum interior space.

## Ford Transit Minibus 14-, 15- and 17-seats



### Standard features include:

- Left-hand passenger sliding door
- Twin opening rear doors
- Rear step
- High roof option (17-seat)
- Anti-lock brakes (ABS) with electronic brake-force distribution
- Electronic stability programme (ESP) with hill launch assist (HLA)
- Three-point lap and diagonal inertia reel seat belts (height-adjustable 'generation-style' rear seat belts)
- Driver's and outboard passenger's airbag\*
- Choice of high-quality Ford audio systems, and satellite navigation
- Electrically-operated front windows
- Powerful, quiet heating and ventilation system with air recirculation facility, and (at extra cost) optional rear compartment heating (14-, 15-seat Minibus only)
- Choice of high-quality Ford audio systems, and satellite navigation
- 14-seat 3500kg GVM vehicle may allow non category-D1 license holders to drive the vehicle on a non-commercial basis. Towing and roof-loading are not permitted
- 15-seat 3700kg GVM vehicle, towing or roof-loading permissible.
- 'Schedule 6 Pack' including first aid kit, fire extinguisher, A-pillar and sliding door passenger assist grab handle, emergency door decals, side and rear door step illumination
- Remote central locking
- Rear wiper and heated rear windows
- Dual (15, 17)/single (14) front passenger's seat with height-adjustable head restraints
- Dark tint glass on side/rear windows
- 2nd row triple (14, 15)/dual (17) seat
- 3rd, 4th and 5th rows: dual seat and single seat (14, 15 and 17 seat)
- 6th row dual/single seats (17 seat)

\*Note: A rear-facing child seat should never be placed in the front passenger seat when the Ford vehicle is equipped with an operational front passenger's airbag.



### Easy access

Plenty of gangway space between seats.



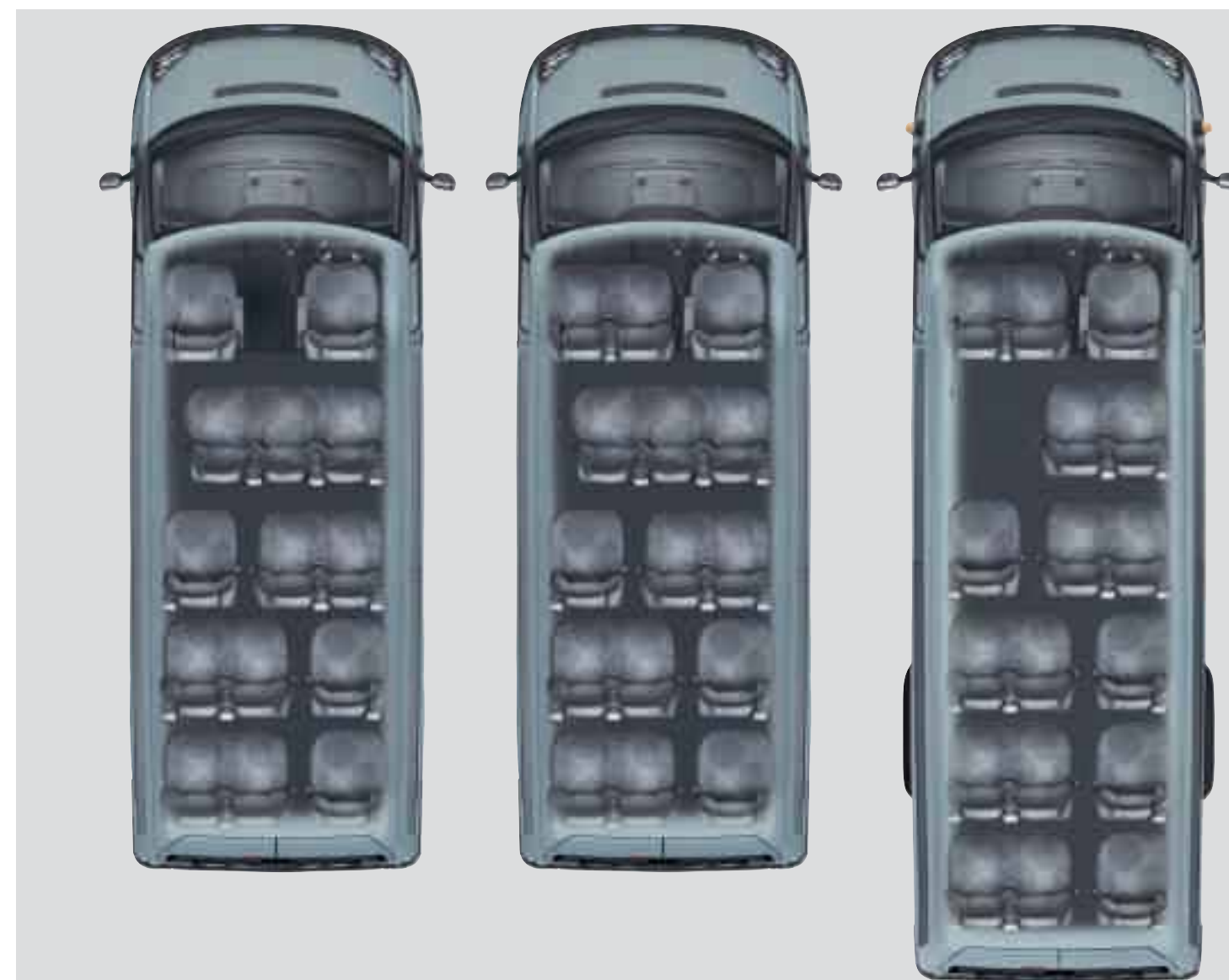
### Seat belts

Height-adjustable to suit all sizes.



### Grab handle and illuminated step

Part of Schedule 6 Pack.





It's how you get there that counts. So when you're looking for roomy and comfortable group executive transport, with more than a dash of style, look no further than the exciting Ford Tourneo. Sporting a bold face and well-appointed interior with the option of leather trim, it offers the ultimate travel experience when space and luxury are required.

## Ford Tourneo 8- and 9-seats



Low roof

The Ford Tourneo's superb car-like interior perfectly complements its dynamic exterior style. The modern instrument panel gives it a light and airy feel, brimming with innovative stowage features. Clear instruments and easy-to-use controls help make your time at the wheel more relaxing and enjoyable, while reinforcing the superior quality and craftsmanship to be found throughout the entire vehicle.

There's air conditioning (in the front on Tourneo Trend, both front and rear on Tourneo Limited), and a stereo radio with CD as standard. Tinted glass and full carpeting also provide a quality, car-like ambience.

### Standard features include:

- Left-hand and right-hand passenger sliding doors
- Rear glazed tailgate
- Easy-to-drive short wheelbase, front-wheel drive configuration
- Air conditioning; front on Trend, front and rear on Limited
- Anti-lock brakes (ABS) with electronic brake-force distribution
- Electronic stability programme (ESP) with hill launch assist (HLA)
- Three-point lap and diagonal inertia reel seat belts
- Driver's and outer front passenger's airbags\*
- ISOFIX child seat attachments\*\*
- Single (8-seat) or dual (9-seat) front passenger's seat with height adjustable head restraints
- Electrically-operated front windows
- Central/double locking with remote keyless entry
- Rear wiper and heated rear windows
- Light tint windscreen, front side windows; dark tint rear windows
- Second row triple seat
- Third row folding triple seat

\*Note: A rear-facing child seat should never be placed in the front passenger seat when the Ford vehicle is equipped with an operational front passenger's airbag.  
\*\*Centre and offside 2nd row seats



### Load compartment

Useful loadspace can be increased, thanks to fold-and-roll rear seats.



### Tailgate

Option. (Rear bumper step is an option at extra cost)



### Rear seat armrests

Outer rear seats have standard folding armrests.



# Transit series

Available for Minibus

The Ford Transit Minibus's cab is remarkably well equipped for the most affordable model in the range. Its superbly designed instrument panel and generous stowage features reinforce the high level of quality and craftsmanship to be found throughout the entire vehicle.



## Exterior features

- Tinted glass
- Electrically-operated front windows
- Remote central locking
- Rear mudflaps

## Interior features

- Model 6000 RDS stereo radio/CD player with auxiliary MP3 connector and steering column-mounted controls
- Driver's and passenger's side facia-top stowage compartments with lids
- 12-volt power point on driver's side
- Central storage for A4 binder or clipboard
- Passenger's side open storage bin
- Centre-mounted car park ticket/toll holder
- Facia-mounted swivelling tray with two cup holders and pen slot
- Glovebox with rails designed to take A4 hanging files
- Two 2-litre bottle holders
- Driver's side door pocket
- Three-point seat belts for all seating positions
- Height-adjustable front passenger seat belt
- Heater with air recirculation feature

## Option packs available:

### Trunker Pack

- Cruise control
- Trip Computer

### Visibility Pack

- Quickclear<sup>®</sup> heated front screen
- Electrically-operated and heated door mirrors

### Premium Visibility Pack

- Quickclear<sup>®</sup> heated front screen
- Electrically-operated and heated door mirrors
- Automatic headlights
- Rain-sensing front wipers
- Instrument panel dimmer
- Front fog lights

### Appearance Pack

- Body colour front grille
- Front fog lamps
- Full wheel covers (not 17-seat)
- Bodyside mouldings (not 17-seat)

\*Note: A rear-facing child seat should never be placed in the front passenger seat when the Ford vehicle is equipped with an operational front passenger's airbag.  
\*\*Centre and offside 2nd row seats



## Trend series

Available for Tourneo 9-seat

With its stylish appearance and well-equipped interior, Ford Transit Trend is the perfect way to mix business with pleasure. Not only does it look good with its body colour front end, but with its advanced Bluetooth® connectivity and innovative features, it will comfortably accommodate you and your passengers on even the longest journey.

### Exterior features additional to Transit series

- Full wheel covers
- Front fog lights
- Body colour grille and front bumper centre section
- Stainless steel front bumper step plate
- Black bodyside mouldings
- Remote central locking with two key fobs
- Metallic paint - no charge option

### Interior features additional to Transit series

- Leather-wrapped steering wheel with silver-effect spokes
- Leather gearshift knob
- Cruise control
- Trip computer
- Bluetooth® wireless connectivity, offering voice control for the audio system and most compatible mobile phones
- Air conditioning (front)
- Full carpeting
- 'Quickclear' heated windscreen
- Electrically-operated and heated power door mirrors
- Automatic headlights
- Rain-sensing front wipers
- Instrument panel dimmer
- Kado velour trim



Note The Bluetooth® word mark and logos are owned by the Bluetooth SIG, Inc. and any use of such marks by Ford Motor Company Limited and its associated companies is under licence. Other trademarks and trade names are those of their respective owners.



## Limited series

Available for Tourneo 8-seat

Offering all the passenger-carrying practicality you need and distinguished by stylish alloy wheels and a superbly-equipped interior, the Ford Transit Limited is the ultimate in executive transport.

### Exterior features additional to Trend series

- 16" 5-spoke alloy wheels

### Interior features additional to Trend series

- Air conditioning (front and rear)
- 10-way adjustable, heated driver's and passenger's seats with armrest
- Kado velour seat trim
- Perimeter Alarm



Interior shown features optional satellite navigation at extra cost







## Accessories

No-one knows your business better than you. So we have given you the freedom to tailor your vehicle exactly to your needs. With our extensive range of accessories, you'll find everything from mudflaps and tow bars to the latest satellite navigation systems. Whatever you choose, each item has been specially designed and engineered to enhance both the efficiency and image of your business.

### Thule roof box

Made by the most respected name in rooftop transportation. Designed to carry a wide variety of loads and protect them from weather and theft. (Accessory, available in various sizes)

### Base roof carrier

Roof carrier is the base for various roof transportation attachments such as bike carriers, luggage boxes and ladder racks. (Accessory)

### Rear ladder

Rear ladder provides easy access to the roof. Available for all roof heights. (Accessory)

### Wide bodyside mouldings

Tough bodyside mouldings help to protect the sides of your vehicle from knocks and scrapes. Available for all wheelbase lengths. (Accessory)

### Mudflaps

Available as sets for front or rear, these practical, hard-wearing mudflaps protect the bodywork from stone chips and reduce road spray. (Accessory)

### Tow bar

For extra transport and stowage capability, the tow bar can haul up to 2800 kg, depending on engine. (Option and accessory)

### Equinox side bars

Stylish stainless steel side bars, including underbody subframe to protect vehicle from accidental damage on high kerbs. (Accessory)

### Britax Römer child seat

Various child seats available for all ages. (Accessory)



### Lockable under seat stowage

Keep valuable items safely tucked away out of sight beneath the single front passenger's seat. (Accessory)



### ClimAir® wind deflector

These wind deflectors minimise turbulence and so allow you to enjoy your drive with the front windows down, even when it's raining. (Accessory)



### Waeeco coolbox

High-performance coolbox cools down to 1°C (max. 30°C below ambient temperature). Warms up to 65°C. 230V AC connector integrated. (Accessory)



### 16" alloy wheels

16" alloy wheel – suitable only for vehicles with single rear wheels (Accessory)



Model shown is finished in Moon dust Silver metallic paint. (Option)  
**Note** The Bluetooth® word mark and logos are owned by the Bluetooth SIG, Inc. and any use of such marks by Ford Motor Company Limited and its associated companies is under licence. Other trademarks and trade names are those of their respective owners.  
**Note** It is an offence for drivers to use a hand-held mobile phone or similar device while driving.

### Air suspension kit

Additional air suspension on the rear axle lets you easily adjust vehicle ride height to safely carry heavy or unbalanced loads. (Accessory)



### Waeeco bottle cooler

Powered directly by the vehicle, this compact cooler keeps 1 to 1.5 litres of your favourite drink up to 22°C below the ambient temperature. And it will even keep things warm, up to 60°C. (Accessory)



### Daytime LED running lights

For improved visibility on the road and a unique touch of style. (Accessory - MS Design)



### Parrot Bluetooth® hands-free kits

These Bluetooth® hands-free kits connect via the factory-fitted audio system. Example shown is the Parrot MKi9200 with 2.4" colour TFT screen, built-in voice recognition and automatic phone-book synchronisation. (Accessory)



### Rear view camera

Cab-mounted 7" LCD colour display monitors the area behind the vehicle. Used in conjunction with the exterior mirrors, the camera provides peace of mind when reversing, day or night, especially in busy locations. (Accessory)



### Mobile navigation

Leave your maps behind with a simple and intuitive mobile GPS navigation system. Please contact your Ford Dealer for details. (Accessory)



Model: Tourneo Connect Trend



When your vehicle has to work hard for a living and handle your leisure time too, it makes the right choice doubly important. With two equipment levels to choose from, a fabulous new interior plus a flexible combination of seating and load areas, the Ford Tourneo Connect is the perfect way to mix business with pleasure.





## Safety and security

Safety can never be taken for granted, especially where passengers are involved. So the Ford Tourneo Connect is endowed with superb safety attributes designed to take care of those you value the most.

Sharing the new Ford Transit's renowned durability and commercial vehicle design pedigree, the Ford Tourneo Connect can boast some of the most up-to-date safety features available. Advanced computer modelling led to the development of a body structure that combines energy-absorbing crumple zones with a rigid shell for maximum occupant protection.

High-strength steel beams inside the front doors help to prevent intrusion in a side impact, while behind the front bumper is a boron steel cross-member that is designed to absorb and safely channel crash energy away from the occupants.

Security is paramount in a commercial vehicle. So the Ford Tourneo Connect incorporates a combination of state-of-the-art features to make it as secure as possible.

### In addition, all Ford Tourneo Connects benefit from the following standard features:

- Driver and passenger airbags\*
- Height-adjustable inertia reel seat belts with grabbers and driver's seat belt pre-tensioner
- Electronic Stability Control (ESP)
- Anti-lock brakes (ABS) with electronic brake-force distribution (EBD)
- Anti-submarining ramps in front seat bases
- Height-adjustable head restraints

### Optional safety features include:

- Side airbags\*

### Standard security features:

- Ford's Safeguard Passive Anti-Theft System (PATS) engine immobiliser
- High-security shielded locks with strengthened mountings
- Unique lock-in-latch door lock system eliminates cables and rods between the lock and the latch
- Central/double locking
- Key-operated bonnet release
- Locking fuel cap
- Shielded spare wheel support
- Visible Vehicle Identification Number (VIN)

### Optional security features include:

- Perimeter alarm

\*Note: A child seat should never be placed in the front passenger seat when the Ford vehicle is equipped with an operational front passenger's airbag. The safest place for children is properly restrained on the second row seats. Front side airbags not available with fold-flat passenger's seat.

#### Side airbags\*

Enhanced protection in a side impact (Option).



#### ISOFIX child seat system

In centre of 2nd row seats (Standard).



#### Occupant safety

Driver's and front passenger's airbags\* (Standard).



With its practical design and stylish exterior, the tough Ford Tourneo Connect will add a new dimension to your business and leisure time.

## Speaking volumes

LWB High roof



The Ford Tourneo Connect and Ford Tourneo Connect Trend are the perfect introduction to one of the most versatile vehicles on the roads today. Both models offer five seats, making them amongst the most spacious vehicles in their class.

Taxi operators and executive transport operators will appreciate the fuel-efficient diesel engine and comfortable seating, while small business and wheelchair users will find the wide-opening doors and roomy, versatile interior particularly valuable.

### Features include:

- Two trim levels: Tourneo Connect and Tourneo Connect Trend
- 1.8 Duratorq TDCi diesel 90 PS/220 Nm engine and the 110 PS/280 Nm engine
- Maximum cargo volume 3.4 cu.m
- Driver and passenger airbags (optional side airbags available on Tourneo Connect and Trend)
- 60:40 split back rear seat
- Central/double locking

**Load compartment**  
Room for baggage, even with the rear seats in place.



**DIN compliant tie-down eyes**  
(5 seat only)

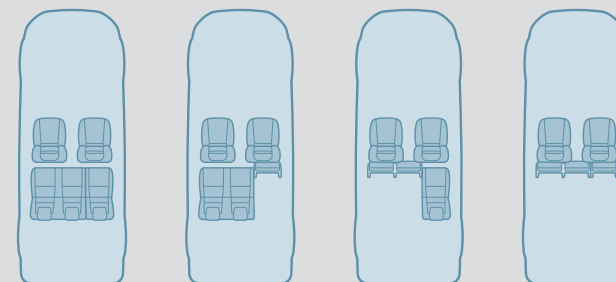


**Versatile interior**  
Space for storage or room to stretch out.



### Ford Tourneo Connect LWB

Despite its modest dimensions, the Ford Tourneo Connect LWB is capable of carrying up to five people in comfort, plus their luggage. Twin sliding side load doors provide safe access to the second row seats. Fold the second row seats and the load space increases to a maximum 3.4 cu.m.



# Tourneo Connect

Model shown is finished in Avalon metallic paint. (Option)



Smart, tough and roomy, the Ford Tourneo Connect offers a long list of standard equipment for your comfort and convenience. This includes Electronic Stability Control (ESP) and Anti-lock Braking System (ABS), power-assisted steering, tinted windscreen and tinted front door windows.

#### Exterior features include:

- 6x15" steel wheels with full wheel trims
- Torque Grey bumpers
- Tinted glass
- Dual glazed sliding side load doors
- Hinged glazed rear doors
- Heated rear door windows
- Electronic Stability Programme (ESP)
- Hill Launch Assist
- Power front windows with one touch lowering on driver's side
- Home safe headlights
- Remote central locking

#### Interior features include:

- New fascia design
- 5 seats as standard
- ISOFIX on the central position of the 2nd row seat
- Model 6000 RDS stereo radio/CD with column stalk controls, auxiliary input and 'Keycode' anti-theft coding
- Front passenger's seat with underseat stowage tray
- Front seat-back storage pockets
- 12-volt front accessory socket
- Steering column adjustable for rake and reach
- Trip computer
- Centre storage and underseat storage tray



#### Remote audio controls

Fingertip control of main audio functions (Standard).



#### Load floor mat

Protects both your van and its load (Standard).



#### Remote central/double locking

Convenient and secure (Standard).



#### Courtesy delay headlights

Remain illuminated for a short while once you're parked to guide you to your door (Standard).



#### Twin sliding side load doors

For easy access (Standard).



#### Electrically-operated windows

(Standard).



# Tourneo Connect Trend

Model shown is finished in Avalon metallic paint.  
(No cost option)

The Ford Tourneo Connect Trend is thoughtfully equipped with a number of key features, such as front fog lights, body colour bumpers, electrically-operated and heated door mirrors and heated rear window(s).



## Exterior features additional to Tourneo Connect:

- Body colour bumpers
- Trend wheel covers
- Electrically operated and heated door mirrors
- Intermittent rear wash wipe
- Heated front screen
- Rain sensing wipers
- Automatic headlamps
- Front fog lamps
- Dark tinted glass

## Interior features additional to Tourneo Connect:

- Brilliant Blue seat trim and instrument panel available as an option
- Auto dimming interior rear view mirror
- 6 way adjustable drivers seat with armrest and lumbar support
- Overhead full width stowage shelf
- Rear door stowage bin and net
- Bluetooth® wireless technology with additional power point
- Silver finish gear shift knob and radio/CD facia
- Aluminium steering wheel spoke shells
- Map reading light

Note The Bluetooth® word mark and logos are owned by the Bluetooth SIG, Inc. and any use of such marks by Ford Motor Company Limited and its associated companies is under licence. Other trademarks and trade names are those of their respective owners.  
Note It is an offence for drivers to use a hand-held mobile phone or similar device while driving.



### Bluetooth® wireless technology

Wireless mobile phone connection with voice recognition control for audio, phone, climate control (Option).



### Interior design

Trend features aluminium trim accents (Standard).



### 6-way adjustable driver's seat with armrest (Standard).



### Trip computer

Displays information, including fuel economy, distance travelled and ambient temperature (Standard).



### Front fog lights

Enhanced visibility in poor driving conditions (Standard).



### Heated door mirrors

Part of Visibility Pack (Standard).





#### Base roof carrier

Roof carrier is the base for various roof transportation attachments, e.g. ski carriers, bike carriers, Thule roof box, etc. (Accessory)

#### Thule roof box

Made by the most respected name in rooftop transportation. Designed to carry a wide variety of loads and protect them from weather and theft. (Accessory, available in various sizes)

#### ClimAir® wind deflectors

These wind deflectors minimise turbulence and allow you to enjoy your drive with the windows down, even when it's raining. (Accessory)

#### 17" alloy wheels

Elegant 17" 9x2-spoke classic design alloy wheels and 205/50 R17 tyres. (Accessory)

#### Equinox side bars

Stylish stainless steel bars, including underbody subframe to protect vehicle from accidental damage on high kerbs. (Accessory)

#### Parking Distance System

Prevent collision damage with this set of four sensors. (Accessory)

#### Mudflaps

Available as sets for front or rear, these practical, hard-wearing mudflaps protect the bodywork from stone chips and reduce road spray. (Accessory)

#### Pioneer Avic F910BT

Multi-sensor navigation, entertainment and communication system. Offers Europe-wide route-guidance, DVD video and CD playback, hands-free phone, USB/SD connections, and iPod®/iPhone® compatibility. (Accessory)



#### Portable navigation

Leave your maps behind with a simple and intuitive mobile GPS navigation system. Please contact your Ford Dealer for details. (Accessory)



#### Parrot Bluetooth® hands-free kits

These Bluetooth® hands-free kits connect to your vehicle via the factory-fitted audio system. Example shown is a Parrot MKi9200 with 2.4" colour TFT screen, built-in voice recognition and automatic phone-book synchronisation. It displays your mobile phone information and the caller's photos. (Accessory)



Express your individuality. And enhance your new Ford Tourneo Connect's versatility and comfort with our extensive range of options and accessories.

## Accessories

#### Thule ProRide bike carrier

Lockable carrier designed for frames up to 80 mm in diameter.

#### Thule ski/snowboard carrier

Fully-lockable ski carrier. Suitable for up to six pairs of skis. (Accessory)



#### Tow bar (not shown)

Offers extra transport and stowage capability. Can tow up to 1,200 kg, depending on engine. (Option and accessory)



#### Britax Römer child seat

Various child seats, also with ISOFIX, available for all ages. (Accessory)



#### Waeco TropiCool Classic TC-35FL

High-performance coolbox with 35-litre capacity cools down to 30°C below ambient temperature. Warms up to 65°C. 230v AC connector integrated. (Accessory)

**Note** It is an offence for drivers to use a hand-held mobile phone or similar device while driving.

We are all beginning to understand the impact that mobility is having on climate change. While we can't change things overnight, we are working very hard to find solutions.

### Making a difference now

Our latest range of engines complies with Euro Stage IV regulations. Duratorq TDCi diesel engines now develop more torque whilst delivering lower emissions. On Transit models, our Duratec 2.3L engine can be converted to run on liquefied petroleum gas (LPG) or compressed natural gas (CNG).

In the Ford car range, our optional Flexifuel engine is achieving emission reductions of around 30% to 80%\*\* compared to conventional petrol engines.

### Protecting the future

Using our Product Sustainability Index, a design for sustainability management tool, we are addressing the environmental, social and economic impacts of our vehicles from the earliest stages of their development\*.

We are working on a wide range of vehicle technologies from biofuels to hybrids and clean diesels, and in the long term to hydrogen fuel-cell technology with the potential for near zero CO<sub>2</sub> emissions.

### Improving our manufacturing facilities

We are constantly working to minimise the impact of our facilities on the environment. This includes pioneering on-site generation of electricity from sun and wind, implementing leading-edge manufacturing processes and full certification to the international standard for Environmental Management Systems; ISO 14001. This has led to improved environmental performance through savings in energy, water, material and waste-handling requirements.

### Recycling for good

In the interests of sustainability, many of our components contain recycled and renewable content. All Ford vehicles are at least 85% recyclable and 95% recoverable in accordance with ISO 22628. We offer free take-back for qualifying vehicles at the end of their lives. All our take-back points are fully licensed and must also meet additional Ford quality standards for the professional receipt, treatment and recovery of end-of-life vehicles.

This brochure has been produced on paper based on fibres from sustainable forestry, using a 100% chlorine-free (TCF) bleaching process.

\*For more about this topic, see <http://www.ford.com/en/company/about/sustainability/2006-07/downloads.htm>

\*\*Dependent on feedstock used and production process. (Source: EUCAR CONCAWE study.) Ford supports the sustainable production of biofuels.



Programme for the Endorsement of Forest Certification schemes

This brochure is printed on PEFC certified paper promoting sustainable forest management.

Our range of finance, insurance, service and assistance options is designed with just one thing in mind – making life easy for you.

## Ford Credit

Your Ford Transit Specialist Dealer can offer simple, plain language advice on the various ways of financing your purchase. They can help you complete an application and get a decision, usually within 15 minutes. For further details, visit [www.ford.co.uk](http://www.ford.co.uk) or contact your Ford Transit Specialist Dealer.

**Ford Acquire** is a straightforward way to own your vehicle. Simply put down a deposit, pay the remainder, plus interest, over an agreed period and the vehicle becomes yours.

**Ford Business Partner Contract Hire\*** provides an affordable, convenient and flexible way to finance your business vehicle.

**Ford Insure\*** is our comprehensive motor insurance product, designed specifically for Ford drivers.

Finance subject to status. **Business Users only.** Guarantees/Indemnities may be required. Freepost Ford Credit.

\*Business Partner Contract Hire is provided by Lex Vehicle Leasing Limited, trading as Ford Business Partner, Heathside Park, Heathside Park Road, Stockport SK3 0RB.

\*Ford Insure is underwritten and administered by Royal & Sun Alliance Insurance plc (No. 93792), Registered in England and Wales at St. Mark's Court, Chart Way, Horsham, West Sussex, RH12 1XL. Authorised and regulated by the Financial Services Authority. For your protection, telephone calls may be recorded and monitored.

## Services

There are 222 Sales and 245 Aftersales Ford Transit Specialist Dealers across the UK, equipped and trained to meet Commercial Vehicle customer requirements. From these, 113 Sales and 95 Aftersales Dealers have achieved the 'Backbone standard' as recognition of their total commitment to delivering dedicated and professional sales and service support.

To find the location of your nearest Ford Transit Specialist Dealer, simply call the Ford Information Service on **0845 7111 888**, or visit the Ford Dealer locator at [www.fordvans.co.uk](http://www.fordvans.co.uk)

**Ford Protect** Every new Ford Fiesta Van is protected by a 3-year/60,000-mile Ford Protect Classic Warranty Plan, and also comes with a 1-year Ford Assistance package.

Ford Ranger is protected by a 3-year/60,000 mile Ford Protect Classic Warranty Plan

Ford Transit and Transit Connects are protected by a 3-year/100,000-mile bumper-to-bumper warranty.

Ford Transit Chassis Cab One-Stop bodywork is covered by a 3-year/100,000-mile warranty and a 3-year Perforation Warranty provided by the bodywork supplier.

**Ford Perforation Warranty** Every new Ford Fiesta Van, Transit and Transit Connect is covered by the Ford Perforation Warranty for 8 years<sup>9</sup> from the date of first registration. Ranger is covered for 6 years from the date of first registration.

**Ford Assistance** Ford Transits, Transit Connects and Rangers are supplied with a minimum of a 1-year Ford Assistance roadside package. Further details are available either on [www.ford.co.uk](http://www.ford.co.uk) or from your local Ford Dealer.

**Ford Rapid Fit** Our 'no appointments necessary, while-you-wait' fast-fit service for exhausts, brakes, batteries and more, at over 240 sites nationally.

**Ford Accident Repair Centres** Approved Ford Accident Repair Centres meet rigorous Ford standards and are the best place to return your vehicle to its pre-accident condition.

## Contacts

**Ford Customer Relationship Centre** In the unlikely event that your Ford Dealer can't help you or if you need to speak to us directly, call 0845 841 1111 at local rates.

**Ford Rental – local service nationwide** Car and van rental from our latest model range. Contact your local Ford Dealer for more information.

**Talkback – the company car drivers' club** This is your club for extended test drives, special events, and advice on tax and buying issues. Join free, even if you don't drive a Ford, on [www.talkbackclub.com](http://www.talkbackclub.com) or call 0845 605 55 66.

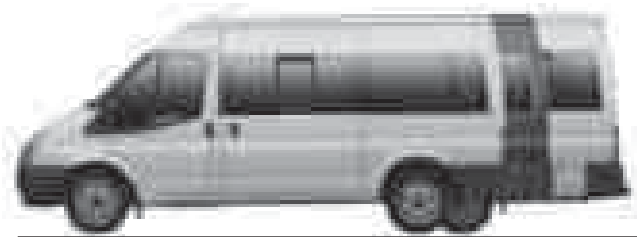
**Ford Mobility** Our MAGIC care centre provides free information on all motoring and mobility issues, including special offers for HRDLA and Motability recipients. Call free on 0800 240 241.

<sup>9</sup>Subject to terms and conditions.



# Ford Range

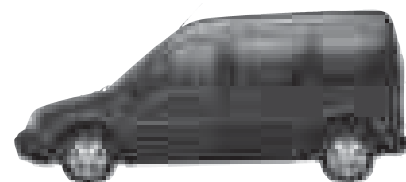
Ford Transit Minibus



Ford Tourneo



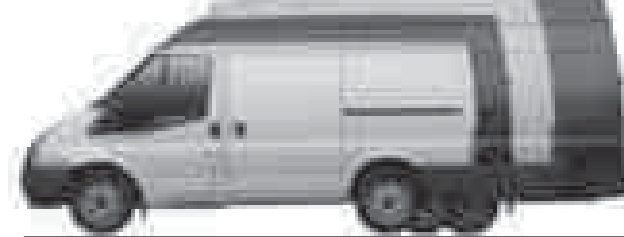
Ford Tourneo Connect



	Seats	Wheelbase	Overall length (mm)	Overall height (mm)	Overall width (mm) <sup>†</sup>
Ford Tourneo Connect	5 and 8	LWB	4525	1981	2044
Ford Tourneo	8 and 9	SWB	4863	1989-2070	2374
Ford Transit Minibus	9 and 12	MWB	5230	2302-2363	2374
	14 and 15	LWB	5680	2393	2374
	17 Med. Roof	LWB EL	6403	2380	2374
	17 High Roof	LWB EL	6403	2624	2374

<sup>†</sup>Includes mirrors.

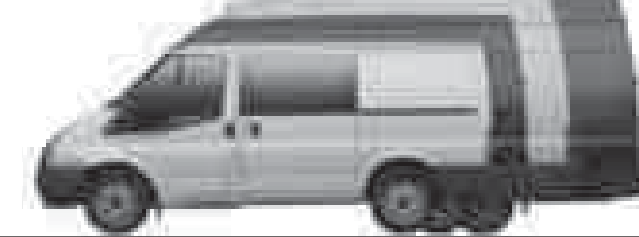
Ford Transit Van



Ford Transit Connect Van



Ford Double Cab-in-Van



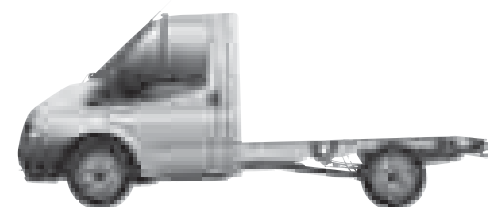
Ford Fiesta Van



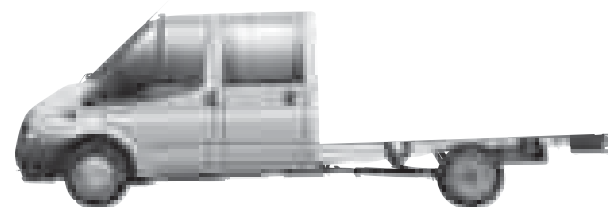
	Wheelbase	Load length (mm)	Cube (cu.m)	Payload (gross)** (kg)	Gross Vehicle Mass (kg)	Maximum Gross Train Mass (kg)
Ford Fiesta Van	SWB	1320	1.013	493-513	1490-1550	2090-2285
Ford Fiesta SportVan	SWB	1320	1.013	492-495	1550	2300
Ford Transit Connect Van	SWB	1760 <sup>†</sup> -2467 <sup>††</sup>	2.8 <sup>†</sup> -3.4 <sup>††</sup>	624-829	2040-2240	2840-3040
	LWB	2007 <sup>†</sup> -2714 <sup>††</sup>	3.7 <sup>†</sup> -4.3 <sup>††</sup>	884-888	2340	3140
Ford Transit Connect Crew van	SWB	909	1.4	708-718	2240	3040
	LWB	1172	2.1	751-755	2340	3140
Ford Transit Van	SWB	2582	6.55-7.94	864-1555	2600-3300	3500-5300
	MWB	2949	7.44-10.31	964-1677	2800-3500	3500-6300
	LWB	3399	9.85-11.89	940-1586	3000-3500	4500-6300
	LWB EL 'Jumbo'	4107	14.30	1146-2265	3500-4600	5500-6500
Ford Transit Double Cab-in-Van	SWB	1654	4.20-5.20	759-1000	2600-2800	3500
	MWB	1893	4.80-6.80	859-1399	2800-3500	3500-6300
	LWB	2349 <sup>•</sup> -2506 <sup>••</sup>	7.10-8.50	832-1372	3000-3500	4500-6300
	LWB EL 'Jumbo'	3229	10.80	1099-1210	3500-4600	5500-6500

\*\*Gross payload = GVM minus kerbweight. <sup>†</sup> With passenger's seat upright. <sup>††</sup> With passenger seat folded. <sup>•</sup>FWD. <sup>••</sup>RWD.

Ford Transit Chassis Cabs



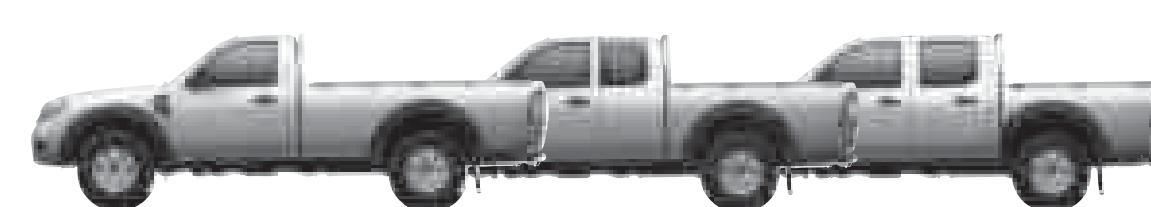
Ford Transit Chassis Double Cabs



	Nominal body length	Wheelbase	Payload (gross)** (kg)	Gross Vehicle Mass (kg)	Maximum Gross Train Mass (kg)
Ford Chassis Cab	2.85m (9ft 4in)	SWB	1308-1444	3000	3500-5000
	3.2m (10ft 6in)	MWB	1660-2724	3500-4600	6000-6500
	3.66m (12ft 0in)	LWB	1653-1731	3500-4600	6000-6500
	4.0m (13ft 1in)	LWB EF	1530-2669	3500-4600	6000-6500
Ford Chassis Double Cab	2.85m (9ft 4in)	LWB	1457-2596	3500-4600	6000-6500
	3.2m (10ft 6in)	LWB EF	1482-2588	3500-4600	6000-6500

\*\*Gross payload = GVM minus kerbweight.

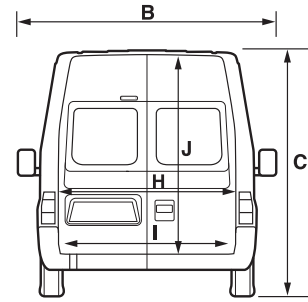
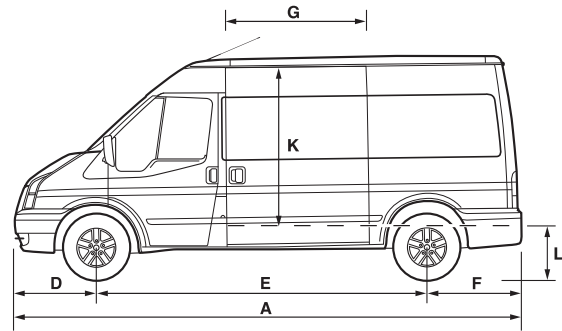
Ford Ranger



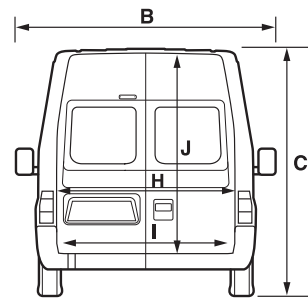
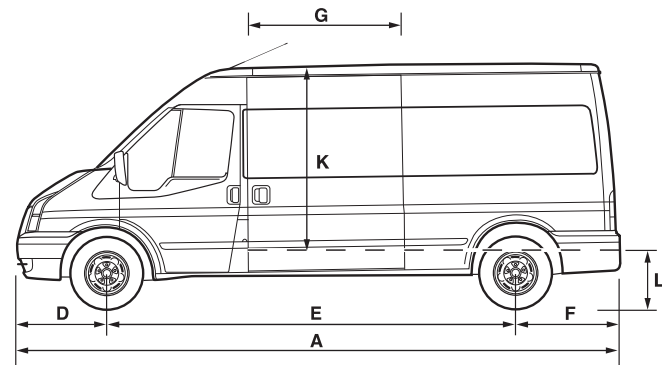
	Drive	Load box length (mm)	Load box width (mm)	Payload (gross)** (kg)	Gross Vehicle Mass (kg)	Maximum Gross Train Mass (kg)
Ford Ranger Regular Cab	4x2/4x4	2280	1456	1190/1235	2800/3010	4400/6010
Ford Ranger Super Cab	4x2/4x4	1753	1456	1225/1225	2885/2995	4485/5995
Ford Ranger Double Cab	4x4	1530	1456	1175	2995	5995

\*\*Gross payload = GVM minus kerbweight.

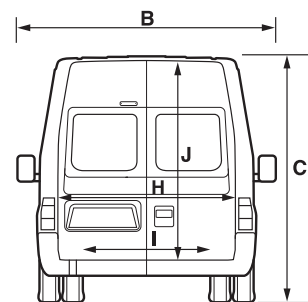
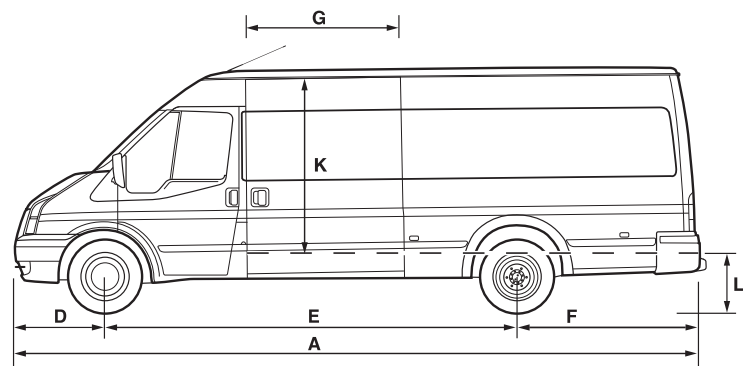
## Ford Transit 9-/12-Seat Minibus



## Ford Transit 14-/15-Seat Minibus



## Ford Transit 17-Seat Minibus (available with medium or high roof)



## Dimensions (mm)

	9-seat Bus Front-Wheel Drive	12-seat Bus Front-Wheel Drive	14-seat Bus Rear-Wheel Drive	15-seat Bus Rear-Wheel Drive	17-seat Bus Rear-Wheel Drive
<b>A</b>	Overall length (excluding rear step)	5230	5230	5680	5680
<b>B</b>	Overall width (with/without mirrors)	2374/1974	2374/1974	2374/1974	2374/2084
<b>C</b>	Overall height*	2302-2363	2302-2363	2393	2393
<b>D</b>	Front of vehicle to front wheel centre	933	933	933	933
<b>E</b>	Wheelbase	3300	3300	3750	3750
<b>F</b>	Rear of vehicle to rear wheel centre	997	997	997	997
<b>G</b>	Side door entry width	1250	1250	690	690
<b>H</b>	Rear door entry width	1540	1540	1540	1540
<b>I</b>	Floorspace between wheel arches	1390	1390	1390	1153
<b>J</b>	Rear door/tailgate entry height	1666	1666	1565	1565
<b>K</b>	Side door entry height	1600	1600	1500	1500
<b>L</b>	Loading height*	535-596	535-596	709	709
<b>Turning circle (m)</b>					
	Kerb to kerb	11.9	11.9	13.3	13.3
	Wall to wall	12.5	12.5	12.5	12.5

All dimensions (shown in mm) are subject to manufacturing tolerances and refer to minimum specification models and do not include additional equipment. \*Height dimensions show the range from minimum to maximum of a fully laden, lowest payload vehicle to unladen highest payload vehicle. These illustrations are for guidance only.

## Weights and loads

	Driveline	Gross vehicle mass (kg)	Kerb mass (kg)*	Gross payload <sup>o</sup>	Front axle plated mass (kg)	Rear axle plated mass (kg)	Front axle kerb mass (kg)	Rear axle kerb mass (kg)	Axle ratio <sup>oo</sup>	Max. GTM (kg) with quoted axle ratio
<b>MWB 9-seat Minibus (300 MWB)</b>										
2.2 TDCi 115 PS	FWD	3000	2150	850	1600	1760	1227	923	4.36	4500
2.2 TDCi 140 PS	FWD	3000	2153	847	1600	1760	1234	919	4.36	4500
<b>MWB 12-seat Minibus (300 MWB)</b>										
2.2 TDCi 115 PS	FWD	3150	2172	978	1600	1760	1240	932	4.36	4500
2.2 TDCi 140 PS	FWD	3150	2175	975	1600	1760	1242	933	4.36	4500
<b>LWB 14-seat Minibus (350 LWB)</b>										
2.4 TDCi 100 PS 5-speed	RWD	3500	2396	1104	1750	2250	1288	1108	4.78/5.11	5500/6000
2.4 TDCi 100 PS 6-speed	RWD	3500	2411	1089	1750	2250	1301	1110	3.73/4.27	5500/6000
2.4 TDCi 115 PS	RWD	3500	2411	1089	1750	2250	1301	1110	3.73/4.27	5500/6000
2.4 TDCi 140 PS	RWD	3500	2431	1069	1750	2250	1304	1127	3.73/4.27	6000/6300
<b>LWB 15-seat Minibus (370 LWB)</b>										
2.4 TDCi 100 PS 5-speed	RWD	3700	2404	1296	1750	2250	1294	1110	4.78/5.11	5500/6000
2.4 TDCi 100 PS 6-speed	RWD	3700	2419	1281	1750	2250	1307	1112	3.73/4.27	5500/6000
2.4 TDCi 115 PS	RWD	3700	2419	1281	1750	2250	1307	1112	3.73/4.27	5500/6000
2.4 TDCi 140 PS	RWD	3700	2439	1261	1750	2250	1310	1129	3.73/4.27	6000/6300
<b>LWB EL 17-seat Minibus (430 EL)</b>										
2.4 TDCi 100 PS 5 speed	RWD	4250	2694	1556	1750	2950	1239	1465	4.78/5.11	5500/6000
2.4 TDCi 100 PS 6 speed	RWD	4250	2708	1542	1750	2950	1252	1456	3.73/5.11	5500/6000
2.4 TDCi 115 PS	RWD	4250	2708	1542	1750	2950	1252	1456	3.73/4.27	5500/6000
2.4 TDCi 140 PS	RWD	4250	2711	1539	1750	2950	1255	1456	3.73/4.27	6000/6300
<b>LWB EL 17-seat Minibus (430 EL High Roof)</b>										
2.4 TDCi 100 PS 5 speed	RWD	4250	2721	1529	1750	2950	1243	1478	4.78/5.11	5500/6000
2.4 TDCi 100 PS 6 speed	RWD	4250	2736	1514	1750	2950	1256	1480	3.73/4.27	5500/6000
2.4 TDCi 115 PS	RWD	4250	2736	1514	1750	2950	1256	1480	3.73/4.27	5500/6000
2.4 TDCi 140 PS	RWD	4250	2739	1511	1750	2950	1259	1480	3.73/4.27	6000/6300

**FWD** = Front-wheel Drive. **RWD** = Rear-wheel Drive. <sup>oo</sup>The illustrated rear axle ratio shown is one example of what is available dependent upon model, payload and engine combination. Alternative ratios are available, in most cases, for more specialised applications. Different GTMs available with alternative rear axle ratios. Please consult your Ford Dealer for details. **GTM** = Gross train mass. The total permissible all-up weight of a rigid vehicle (see GVM) together with its trailer and load. **GVM** = Gross vehicle mass. The total permissible all-up weight of a rigid vehicle – i.e. with body, payload, ancillaries, fuel, oil, water, driver and crew. **\*Kerb mass** = The weight of the complete vehicle and all equipment including fuel and water, but without payload, driver or any crew. All kerb masses quoted in this brochure are subject to manufacturing tolerances and are for vehicles with minimum equipment. <sup>o</sup>**Gross Payload** = Gross vehicle mass, less kerb mass. \*Towing is not permitted with the 14-seat Bus.

## Model availability

	9-seat	12-seat	14-seat	15-seat	17-seat
<b>Ford Transit Minibus</b>					
2.2 Duratorq TDCi Diesel 115 PS	B	B			
2.2 Duratorq TDCi Diesel 140 PS	B	B			
2.4 Duratorq TDCi Diesel 100 PS			B	B	B
2.4 Duratorq TDCi Diesel 115 PS			B	B	B
2.4 Duratorq TDCi Diesel 140 PS			B	B	B

B = Base Transit. All models are 6-speed manual transmission, except for the 2.4 Duratorq TDCi 100 PS diesel engine which is 5-speed manual – but will be replaced by 6-speed manual from autumn 2010.

## Engine data

	Engine technical features	Maximum power <sup>a</sup>	Maximum torque <sup>a</sup>	Transmission
<b>2.2 Duratorq TDCi Diesel 85 kW (115 PS)</b> 2198 cc	4 cylinders in line; DOHC; 16 valves; alloy cylinder head; direct injection with high-pressure, common-rail, multipoint fuel injection system; VNT turbocharger with intercooler; dual-mass flywheel; electronic EGR	85 kW (115 PS) at 3500 min <sup>-1</sup> (rpm)	300 Nm at 1800-2300 min <sup>-1</sup> (rpm)	6-speed transaxle
<b>2.2 Duratorq TDCi Diesel 96 kW (140 PS)</b> 2198 cc	4 cylinders in line; DOHC; 16 valves; alloy cylinder head; direct injection with high-pressure, common-rail, multipoint fuel injection system; VNT turbocharger with intercooler; dual-mass flywheel; electronic EGR	103 kW (140 PS) at 3500 min <sup>-1</sup> (rpm)	350 Nm at 1800-2400 min <sup>-1</sup> (rpm)	6-speed transaxle
<b>2.4 Duratorq TDCi Diesel 74 kW (100 PS)*</b> 2402 cc	4 cylinders in line; DOHC; 16 valves; alloy cylinder head; direct injection with high-pressure, common-rail, multipoint fuel injection system; turbocharger with intercooler; dual-mass flywheel; electronic EGR	74 kW (100 PS) at 3500 min <sup>-1</sup> (rpm)	285 Nm at 1600-2200 min <sup>-1</sup> (rpm)	6-speed/ 5-speed*
<b>2.4 Duratorq TDCi Diesel 85 kW (115 PS)</b> 2402 cc	4 cylinders in line; DOHC; 16 valves; alloy cylinder head; direct injection with high-pressure, common-rail, multipoint fuel injection system; turbocharger with intercooler; dual-mass flywheel; electronic EGR	85 kW (115 PS) at 3500 min <sup>-1</sup> (rpm)	310 Nm at 1750-2000 min <sup>-1</sup> (rpm)	6-speed
<b>2.4 Duratorq TDCi Diesel 103 kW (140 PS)</b> 2402 cc	4 cylinders in line; DOHC; 16 valves; alloy cylinder head; direct injection with high-pressure, common-rail, multipoint fuel injection system; VNT turbocharger with intercooler; dual-mass flywheel; electronic EGR	103 kW (140 PS) at 3500 min <sup>-1</sup> (rpm)	375 Nm at 2000 min <sup>-1</sup> (rpm)	6-speed

<sup>a</sup>Tested in accordance with ISO 1585. **Please note:** All Transit Minibus engines are Stage IV emissions level. \*6-speed replaces 5-speed from autumn 2010 (100PS only).

## Fuel, performance and emissions

	Final Axle Ratio	CO <sub>2</sub> emissions (g/km) <sup>a</sup>	Fuel consumption in mpg (L/100 km) <sup>a</sup>		
			Urban	Extra Urban	Combined
<b>Transit 9-seat Minibus</b>					
2.2 Duratorq TDCi Diesel, 6-speed manual 115 PS	4.93	224	27.7 (10.2)	37.7 (7.5)	33.2 (8.5)
	4.93	224	27.7 (10.2)	37.7 (7.5)	33.2 (8.5)
2.2 Duratorq TDCi Diesel, 6-speed manual 140 PS	4.93	224	27.7 (10.2)	37.7 (7.5)	33.2 (8.5)
	4.93	224	27.7 (10.2)	37.7 (7.5)	33.2 (8.5)

All 9-seat minibus models are 6-speed manual transmission. <sup>a</sup>All CO<sub>2</sub> emissions figures in g/km (based on 'Combined' cycle figures) and fuel consumption figures in mpg are from officially approved tests in accordance with 80/1268/EEC as amended. The CO<sub>2</sub> emissions and fuel consumption test figures shown in the chart do not express or imply any guarantee of the emissions or fuel consumption of a vehicle of the class in question. All the figures are based on tests conducted on vehicles with standard wheels and tyres; optional or accessory wheels and tyres may have an effect on the emissions and fuel consumption of a vehicle.

## Mechanical features

	Transit				
	9-seat	12-seat	14-seat	15-seat	17-seat
<b>Brakes</b>					
Dual-circuit, with self-adjusting servo-assistance and ABS. Front and rear discs	●	●	●	●	●
<b>Fuel tank</b>					
Standard – 80 litres	●	●	●	●	●
Long-range – 103 litres (RWD diesel engines only, not available on SWB models)			○	○	○
<b>Steering</b>					
Power-assisted steering	●	●	●	●	●
<b>Suspension</b>					
Front, independent MacPherson struts, variable rate coil springs, stabiliser bar and gas-pressurised shock absorbers.	●	●	●	●	●
Rear, leaf springs and gas-pressurised shock absorbers					
Front stabilizer bar	●	●	●	●	●
<b>Engine and Transmission</b>					
cDPF (coated Diesel Particulate Filter)	○	○	○	○	○
Speed limiter – 56 mph (90 km/h)	○	○	○	○	○
Speed limiter – 62 mph (100 km/h)*	○	●	●	●	●
Speed limiter – 70 mph (112 km/h)	○				

● = Standard, ○ = Option, at extra cost. \*Legal requirement on M2 minibus (12-, 14-, 15- and 17-seat). For full legislation details please refer to VOSA.

## Safety and security

	Transit				
	9-seat	12-seat	14-seat	15-seat	17-seat
<b>Safety</b>					
Anti-lock brakes – Electronic, 4-wheel (includes rear disc brakes)	●	●	●	●	●
Electronic Stability Programme (ESP)* with Hill Launch Assist (HLA) (not available on AWD models)	●	●	●	●	●
Airbag – Driver's	●	●	●	●	●
Airbag – Outer front passenger's** (with deactivation switch on AWD)	●	●	●	●	●
Seat belts – 3-point diagonal inertia reel (all seats)	●	●	●	●	●
Seat belts – "Generation" seat belts on all seats (9, 12 seat – NOT included on second row of seats)	●	●	●	●	●
ISOFIX child seat attachments - centre and offside 2nd row of seats	●	●			
'Schedule 6' pack (fire extinguisher and fixings, first aid kit, grab handles, step illumination and warning decals)	●	●	●	●	●
<b>Security</b>					
Alarm – Perimeter	○	○	○	○	○
Audio - Enhanced 'Keycode' anti-theft coding	●	●	●	●	●
Fuel cap – Locking	●	●	●	●	●
Immobiliser – Safeguard Passive Anti-Theft System (PATS) (Insurance-approved Category 2 immobiliser)	●	●	●	●	●
Locks – High security, shielded with strengthened mountings	●	●	●	●	●
Locks – Remote control locking with 1 key fob	●	●	●	●	●
Locks – Remote control locking with 2 key fobs	○	○	○	○	○
Locks – Auto re-locking, doors re-lock after 45 seconds if no door is opened	●	●	●	●	●
Locks – Audio mis-lock feedback, audible signal if a door is ajar when locking activated	●	●	●	●	●
Locks – Key-operated bonnet release	●	●	●	●	●
Vehicle Identification Number – Visible	●	●	●	●	●

● = Standard, ○ = Option, at extra cost. \*Includes Electronic Brake Force Distribution (EBD), Hydraulic Brake Assist (HBA) and Brake Traction Control System (BTCS). \*\*Note: A rear-facing child seat should never be placed in the front passenger's seat when the Ford vehicle is equipped with a front passenger's airbag.

## Exterior features

	Transit				
	9-seat	12-seat	14-seat	15-seat	17-seat
<b>Exterior appearance and styling</b>					
Body – Medium roof	●	●	●	●	●
Body – High roof					○
Bodyside mouldings – Black (not available on 17-seat)	○	○	○	○	
Bumpers – Full width, front and rear	●	●	●	●	●
Bumper – Front, body colour grille and front bumper centre piece (includes front fog lights and integrated stainless steel step trim plates; not available with SVO colours)	□	□	□	□	□
Paint – Metallic	○	○	○	○	○
Wheels – 5½x15" steel wheels with centre hub covers and 195/70R 15C LI 104/102 BSW tyres	●	●			
Wheels – 5½x16" steel wheels with centre hub covers and 215/75R 16C BSW 113/111 tyres			●	●	
Wheels – 5x16" steel wheels with dual rear wheels, partial wheel cover on front wheels and 185/75R 16C BSW tyres					●
Wheelcovers – Full	□	□	□	□	
<b>Exterior functional</b>					
Doors – Passenger's side, sliding glazed door and step (*SVO option on 9 seat bus)			●	●	●
Doors – Driver's and passenger's (dual) side, sliding glazed door and step	●	●			
Doors - Passenger's side delete (SVO option must order both codes: <b>F6, SLD</b> )	○				
Doors – Glazed hinged rear doors, 180° opening, positive stop at 90°	●	●	●	●	●
Door mirrors – Blind spot eliminator	●	●	●	●	●
Door mirrors – Electrically-operated and heated	○	○	○	○	○
Glass – Tinted – Light tint complete (71% luminous transmittance)	●	●	○	○	
Glass – Tinted – Light tint windscreen, front side windows; dark tint rear side windows, rear door glass (35-44% luminous transmittance)	○	○	●	●	●
Heated windscreen – 'Quickclear'	□	□	□	□	□
Heated rear window(s)	●	●	●	●	●
Mudflaps – Front and rear	●	●	●	●	●
Parking distance sensor, rear (includes rear step integrated in bumper; not available with optional tow bar or rear centre step)	○	○			
Rear step – Integrated in bumper (not available with optional tow bar)	○	○			
Rear step – Centre (not available with optional tow bar)	○	○	●	●	●
Towing eyes – Front and rear	●	●	●	●	●
Windows – Front, electrically-operated	●	●	●	●	●
Side windows – 2nd row, driver's side, sliding	●	●	●	●	●
Side windows – 2nd row, passenger's side, sliding	●	●	●	●	●
Side windows – 3rd row, driver's and passenger's side, flip opening			●	●	
Side windows – 3rd row, driver's and passenger's side, fixed	●	●			●
Wipers – Front, two-speed with electric wash	●	●	●	●	●
Wipers – Rear with auto reverse wipe and electric wash	●	●	●	●	●
<b>Exterior lighting</b>					
Halogen headlights, side lights, rear fog lights, reversing lights	●	●	●	●	●
Front fog lights	○	○	○	○	○
Headlight levelling	●	●	●	●	●
High-mounted rear brake light	●	●	●	●	●
Headlights – 'Home Safe' facility, 30 seconds duration	●	●	●	●	●

● = Standard, ○ = Option, at extra cost, □ = Part of an Option Pack, at extra cost, ●+ = No charge option.

## Audio and communications

	Transit				
	9-seat	12-seat	14-seat	15-seat	17-seat
<b>Audio and communications</b>					
Stereo radio/single CD player – Model 6000 RDS with auxiliary MP3 connector; 2 speakers; 24 station pre-sets; 2x17 watts power output and remote steering column-mounted controls	●	●	●	●	●
Stereo radio/6-disc CD player* – Model 6006 RDS with auxiliary MP3 connector; 2 speakers; 24 station pre-sets; 2x17 watts power output and remote steering column-mounted controls	○*	○*	○*	○*	○*
Satellite Navigation FX system – Full 7 digit postcode capability; 5" TFT colour display; stereo radio/single CD player with auxiliary MP3 capability; 2 speakers; 24 station pre-sets; 2x20 watts power output and remote steering column-mounted controls.	○	○	○	○	○
Bluetooth® module with wireless integration between phone and audio system and voice dialling	○	○	○	○	○

● = Standard, ○ = Option, at extra cost. The Bluetooth® word mark and logos are owned by the Bluetooth SIG, Inc. and any use of such marks by Ford Motor Company is under license. Other trademarks and trade names are those of their respective owners. \*available until autumn 2010.

## Interior features

	Transit				
	9-seat	12-seat	14-seat	15-seat	17-seat
<b>Carpet and trim</b>					
Door trim – Front, moulded with pull handles and storage pockets	●	●	●	●	●
Floor covering – Cab, rubber	●	●	●	●	●
Floor covering – Rear, rubber	●	●	●	●	●
Headlining – Moulded full length	●	●	●	●	●
<b>Interior lighting</b>					
Courtesy lights – Header-mounted, front door-operated	●	●	●	●	●
Courtesy lights – Front passenger and side door step wells	●	●	●	●	●
Passenger area lights	●	●	●	●	●
Interior lighting/battery saver – 30 minutes	●	●	●	●	●
<b>Instruments and controls</b>					
Instruments – Speedometer, tachometer, odometer, trip recorder, fuel gauge, water temperature gauge and digital clock	●	●	●	●	●
Warning lights for oil pressure, direction indicator, high beam, lights on, ignition/alternator, brake failure, loadspace light on, airbag(s) (where fitted)	●	●	●	●	●
Illuminated heater controls – 3-speed fan. Four vents with temperature and direction control, two dedicated side window demisters	●	●	●	●	●
Shift Indicator Light	●	●	●	●	●
Air vents – Bright finish	●	●	●	●	●
Trip computer (functionality includes clock, distance to fuel empty, average fuel consumption, average speed, outside air temperature)	○	○	○	○	○
Water in fuel filter with sensor (diesel models only)	●	●	●	●	●
Battery – Twin 590 CCA – 60Ah @ 20h rate	●	●	●	●	●
Cold start (-20°C)	●	●	●	●	●
Tachograph – Digital, electronic, 24-hour*	○	○	○	○	○
Cruise control (includes leather steering wheel with silver effect spokes and leather gear knob with aluminium insert)	○	○	○	○	○
<b>Seats</b>					
Seat trim – Tomy fabric	●	●	●	●	●
Front seat – <b>Tomy / 8-way</b> driver (fore/aft; recline; height; and tilt) / <b>Dual</b> passenger seat / manual adjustment with fixed armrest and height adjustable head restraints / (administrative use – <b>seat pack 22</b> )	●	●		●	●
Front seat – <b>Tomy / 8-way</b> driver (fore/aft; recline; height; and tilt) / <b>Single 4-way</b> passenger seat (fore/aft and recline) / manual adjustment with fixed armrest and height adjustable head restraints / (administrative use – <b>seat pack 21</b> )	○	○	●		
Rear seat – <b>2nd row</b> ; triple seat, <b>3rd row</b> ; triple seat (rear seat pack 7)	●				
Rear seat – <b>2nd row</b> ; triple narrow seat, <b>3rd row</b> ; dual bench and single seat, <b>4th row</b> ; triple seat (SVO rear seat pack)		●			
Rear seat – <b>2nd row</b> ; triple narrow seat, <b>3rd row</b> ; dual bench seat and single seat, <b>4th row</b> ; dual bench seat and single seat, <b>5th row</b> ; dual bench seat and single seat (rear seat pack 16)			●	●	
Rear seat – <b>2nd row</b> ; dual bench seat, <b>3rd row</b> ; dual bench seat and single seat, <b>4th row</b> ; dual bench seat and single seat, <b>5th row</b> ; dual bench seat and single seat, <b>6th row</b> ; dual bench seat and single seat (rear seat pack 18)					●

## Interior features

	Transit				
	9-seat	12-seat	14-seat	15-seat	17-seat
Seat belts – Height-adjustable mount, driver's and outer front passenger's side	●	●	●	●	●
Seat belts – Rear, 3-point inertia reel	●	●	●	●	●
Seat belts – "Generation" seat belts on all seats ( <b>9, 12 seat – NOT included on second row of seats</b> )	●	●	●	●	●
<b>Comfort and convenience</b>					
Air conditioning – Front, CFC-free	○	○	○	○	○
Air conditioning – Rear (includes front air conditioning, deletes rear heater)	○	○	○	○	
Bottle holder – Twin, 2 litre bottle capacity, fascia-mounted	●	●	●	●	●
Cup holder – Twin, fascia-mounted, drop-down	●	●	●	●	●
Glovebox – With lid and A4 file storage capability, moulded hook in lid	●	●	●	●	●
Grab handle – Passenger's side, A-pillar-mounted	●	●	●	●	●
Heater – Recirculation	●	●	●	●	●
Heating – Rear compartment	○	○	○	○	
Mirror – Dipping, rear-view	●	●	●	●	●
Power point socket (located in driver's top stowage bin)	●	●	●	●	●
Rear auxiliary power point socket	○	○	○	○	○
Storage – Front door map pockets	●	●	●	●	●
Storage – Driver's and passenger's side, storage compartments on fascia top with lift up lids.	●	●	●	●	●
Storage – Central slot for 1" A4 binder or clipboard storage	●	●	●	●	●
Storage – Passenger's side open storage area (not available with front passenger's airbag)	●	●	●	●	●
Storage – Centre stack-mounted car park/toll ticket holder	●	●	●	●	●
Sunvisors – Swivelling	●	●	●	●	●
Tray – Centre fascia-mounted, swivelling with two cupholders and a pen groove	●	●	●	●	●
<b>Rear compartment</b>					
Floor covering – Rubber	●	●	●	●	●
Luggage Cage – 2.2m³ with tubular mesh bulkhead	●				
Tie-down loops – Rear compartment	●	●			

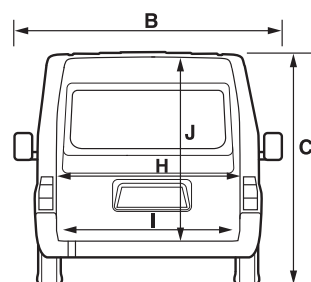
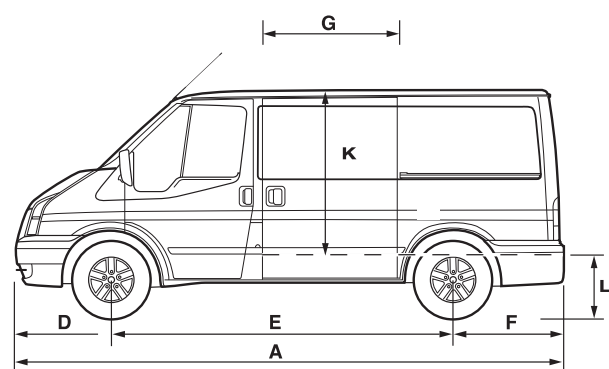
● = Standard, ○ = Option, at extra cost. \***Tachograph** – Legal requirement on 12, 14, 15 and 17 seat minibus variants. Exemptions may apply, for full legislation please refer to VOSA. When a vehicle is fitted with a trailer towing attachment it is recommended that a tachograph is fitted, since the ability to tow a trailer giving a GTM of over 3500kg without a tachograph could be considered contrary to EU and UK road traffic law. Tachographs are subject to calibration at an approved centre at additional cost. (Please note that a digital tachograph cannot be retrofitted to 9, 12 seat minibus variants – factory order only)

## Option Packs

	Transit				
	9-seat	12-seat	14-seat	15-seat	17-seat
Visibility Pack – 'Quickclear' heated windscreen and electrically-operated and heated door mirrors	○	○	○	○	○
Premium Visibility Pack – 'Quickclear' heated windscreen; electrically-operated and heated door mirrors; automatic headlights; automatic front wipers with rain sensor; instrument panel dimmer; front fog lights; and stainless steel front bumper step plates*	○	○	○	○	○
Appearance Pack – Body colour grille and front bumper centre piece; full wheelcovers* and bodyside mouldings*	○	○	○	○	○
Trunker Pack – Cruise control (includes leather-wrapped steering wheel with silver effect spokes and leather gear knob with acrylic insert); and trip computer	○	○	○	○	○
Smoker's Pack – Front ashtray and cigarette lighter	○	○	○	○	○

● = Standard, ○ = Option, at extra cost. \*Wheelcovers and bodyside mouldings are not available with 17 seat bus.

## Ford Tourneo 8/9-Seat



### Dimensions (mm)

		8/9-seat Tourneo
<b>A</b>	Overall length (excluding rear step)	4863
<b>B</b>	Overall width (with/without mirrors)	2374/1974
<b>C</b>	Overall height	1989-2070
<b>D</b>	Front of vehicle to front wheel centre	933
<b>E</b>	Wheelbase	2933
<b>F</b>	Rear of vehicle to rear wheel centre	997
<b>G</b>	Side door entry width	1030
<b>H</b>	Rear door entry width	1540
<b>I</b>	Floorspace between wheel arches	1390
<b>J</b>	Rear door/tailgate entry height	1370
<b>K</b>	Side door entry height	1352
<b>L</b>	Loading height	538-619
<b>Turning circle (m)</b>		
	Kerb to kerb	10.8
	Wall to wall	11.4

All dimensions (shown in mm) are subject to manufacturing tolerances and refer to minimum specification models and do not include additional equipment. These illustrations are for guidance only. Height dimensions show the range from minimum to maximum of a fully laden, lowest payload vehicle to unladen highest payload vehicle. Loadspace shown as SAE/VDA and measured in cubic metres.

### Weights and loads

	Driveline	Gross vehicle mass (kg)	Kerb mass (kg)*	Gross payload <sup>o</sup>	Front axle plated mass (kg)	Rear axle plated mass (kg)	Front axle kerb mass (kg)	Rear axle kerb mass (kg)	Axle ratio <sup>oo</sup>	Max. GTM (kg) with quoted axle ratio
<b>8-seat Tourneo Limited</b>										
2.2 TDCi 115 PS	FWD	2800	1936	864	1450	1550	1142	794	4.36	4800
2.2 TDCi 140 PS	FWD	2800	1939	861	1450	1550	1144	795	4.36	4800
<b>9-seat Tourneo Trend</b>										
2.2 TDCi 115 PS	FWD	2800	1932	868	1450	1550	1133	799	4.36	4800
2.2 TDCi 140 PS	FWD	2800	1935	865	1450	1550	1135	800	4.36	4800

**FWD** = Front-wheel Drive. <sup>oo</sup>The illustrated front axle ratio shown is one example of what is available dependent upon model, payload and engine combination. **GVM** – Gross vehicle mass. The total permissible all-up weight of a rigid vehicle – i.e. with body, payload, ancillaries, fuel, oil, water, driver and crew. **\*Kerb mass** – The weight of the complete vehicle and all equipment including fuel and water, but without the payload, driver or any crew. **GTM** – Gross train mass. The total permissible all-up weight of a rigid vehicle (see GVM) together with its trailer and load. <sup>o</sup>**Gross Payload** = Gross vehicle mass, less kerb mass. All kerb masses quoted in this brochure are subject to manufacturing tolerances and are for vehicles with minimum equipment.

### Model availability

	8-seat	9-seat
<b>Tourneo</b>		
2.2 Duratorq TDCi Diesel 115 PS	L	T
2.2 Duratorq TDCi Diesel 140 PS	L	T

T = Trend, L = Limited

### Engine data

	Engine technical features	Maximum power <sup>o</sup>	Maximum torque <sup>o</sup>	Transmission
<b>2.2 Duratorq TDCi Diesel 85 kW (115 PS) 2198 cc</b>	4 cylinders in line; DOHC; 16 valves; alloy cylinder head; direct injection with high-pressure, common-rail, multipoint fuel injection system; VNT turbocharger with intercooler; dual-mass flywheel; electronic EGR	85 kW (115 PS) at 3500 min <sup>-1</sup> (rpm)	300 Nm at 1800-2300 min <sup>-1</sup> (rpm)	6-speed transaxle
<b>2.2 Duratorq TDCi Diesel 103 kW (140 PS) 2198 cc</b>	4 cylinders in line; DOHC; 16 valves; alloy cylinder head; direct injection with high-pressure, common-rail, multipoint fuel injection system; VNT turbocharger with intercooler; dual-mass flywheel; electronic EGR	103 kW (140 PS) at 3500 min <sup>-1</sup> (rpm)	350 Nm at 1800-2400min <sup>-1</sup> (rpm)	6-speed transaxle

<sup>o</sup>Tested in accordance with ISO 1585. Please note: All Tourneo engines are Stage IV emissions level.

### Fuel, performance and emissions

	Final Axle Ratio	CO <sub>2</sub> emissions (g/km) <sup>o</sup>	Fuel consumption in mpg (L/100 km) <sup>o</sup>		
			Urban	Extra Urban	Combined
<b>Ford Tourneo</b>					
2.2 Duratorq TDCi Diesel 115 PS	4.36	200-208	28.8 (9.8)	44.8 (6.3)	37.2 (7.6)
2.2 Duratorq TDCi Diesel 140 PS	4.36	200-208	28.8 (9.8)	44.8 (6.3)	37.2 (7.6)

All Tourneo diesel engine models are 6-speed manual transmission. <sup>o</sup>All CO<sub>2</sub> emissions figures in g/km (based on 'Combined' cycle figures) and fuel consumption figures in mpg are from officially approved tests in accordance with 80/1268/EEC. The CO<sub>2</sub> emissions and fuel consumption test figures shown in the chart do not express or imply any guarantee of the emissions or fuel consumption of a vehicle of the class in question. All the figures are based on tests conducted on vehicles with standard wheels and tyres; optional or accessory wheels and tyres may have an effect on the emissions and fuel consumption of a vehicle.

### Mechanical features

	8-seat Limited	9-seat Trend
<b>Brakes</b>		
Dual-circuit, with self-adjusting servo-assistance. Front and rear discs	●	●
<b>Fuel tank</b>		
Standard – 80 litres	●	●
<b>Steering</b>		
Power-assisted steering	●	●
<b>Suspension</b>		
Front, independent MacPherson struts, variable rate coil springs, stabiliser bar and gas-pressurised shock absorbers. Rear, leaf springs and gas-pressurised shock absorbers	●	●
Front stabilizer bar	●	●
<b>Engine and Transmission</b>		
cDPF (coated Diesel Particulate Filter)	○	○
Speed limiter – 70 mph, 62 mph, 56 mph	○	○

● = Standard, ○ = Option, at extra cost.

## Safety and security

	8-seat Limited	9-seat Trend
<b>Safety</b>		
Anti-lock brakes – Electronic, 4-wheel (includes rear disc brakes)	●	●
Electronic Stability Programme (ESP) with Hill launch Assist (HLA)	●	●
Airbag – Driver's	●	●
Airbag – Outer front passenger's*	●	●
Airbag – Side airbags (only available with optional single passenger seat packs 29 and 34)	○	
Seat belts – 3-point diagonal inertia reel (all seats)	●	●
Seat belts – 'Generation' seat belts on all seats	●	●
ISOFIX child seat attachments – Centre and offside 2nd row seats	●	●
<b>Security</b>		
Alarm – Perimeter	●	○
Audio – Enhanced "Keycode" anti-theft coding	●	●
Fuel cap – Locking	●	●
Immobiliser – Safeguard Passive Anti-Theft System (PATS) (Insurance-approved Category 2 immobiliser)	●	●
Locks – High security, shielded with strengthened mountings	●	●
Locks – Power door dead-locks	●	●
Locks – Remote control locking with 2 key fobs	●	●
Locks – Auto re-locking, doors re-lock after 45 seconds if no door is opened (only available with remote locking)	●	●
Locks – Audio mis-lock feedback, audible signal if a door is ajar when locking activated (only available with remote locking)	●	●
Locks – Key-operated bonnet release	●	●
Vehicle Identification Number – Visible	●	●

● = Standard, ○ = Option, at extra cost. **\*Note: A rear-facing child seat should never be placed in the front passenger's seat when the Ford vehicle is equipped with a front passenger's or side airbags.**

## Exterior features

	8-seat Limited	9-seat Trend
<b>Exterior appearance and styling</b>		
Body – Low roof	●	●
Bodyside mouldings – Black	●	●
Bumpers – Full width, front and rear	●	●
Bumper – Front, body colour grille and bumper centre piece (includes front fog lights and integrated step trim plates / not available with SVO colours)	●	●
Paint – Metallic	●+	●+
Tyres – Summer, Michelin Brand 195/70R 15C LI 104/102		○
Wheels – 5½x15" steel wheels with 195/70R 15C LI 104/102 tyres		●
Wheels – 5½x16" 5-spoke alloy wheels with locking wheel nuts and 205/65R 16C BSW tyres <b>Alloy Wheel Pack 1</b>	●	○
Wheels – 5½x16" 5-spoke alloy wheels with locking wheel nuts and 185/75R 16 tyres <b>Alloy Wheel Pack 2</b>	○	○
Wheelcovers – Full		●

## Exterior features

	8-seat Limited	9-seat Trend
<b>Exterior functional</b>		
Doors – Passenger's sliding glazed door and step	●	●
Doors – Driver's (dual) sliding glazed door and step	●	●
Doors – Glazed hinged rear doors, 180° opening, positive stop at 90° (includes heated rear windows)	●+	●+
Doors – Glazed rear tailgate with body-coloured handle (includes heated rear window)	●	●
Door mirrors – Blind spot eliminator	●	●
Door mirrors – Electrically-operated and heated	●	●
Glass – Light tint windscreen, front side windows; dark tint rear side windows, rear door glass (35-44% luminous transmittance)	●	●
Glass – Light tint complete (71% luminous transmittance)		○
Heated windscreen – 'Quickclear'	●	●
Heated rear window(s)	●	●
Mudflaps – Front and rear	●	●
Parking distance sensor, rear (includes integrated bumper step) (not available with optional tow bar)	○	○
Rear step – Integrated in bumper (not available with optional tow bar)	○	○
Tow bar (not available with optional integrated rear bumper step or rear parking distance sensor) with 13-pin electrics (tachograph may be required)	○	○
Towing eyes – Front and rear	●	●
Windows – Front, electrically-operated	●	●
Windows – 2nd row, passenger's side, fixed	●	○
Windows – 2nd row, driver's side, fixed	●	○
Windows – 2nd row, passenger's side, sliding	○	●
Windows – 2nd row, driver's side, sliding	○	●
Windows – 3rd row, passenger's and driver's side, fixed	●	●
Wipers – Front, two-speed with electric wash	●	●
Wipers – Rear with auto reverse wipe and electric wash	●	●
Premium Visibility Pack – 'Quickclear' heated windscreen; electrically-operated and heated door mirrors; automatic headlights; automatic front wipers with rain-sensor; instrument panel dimmer; front fog lights and stainless steel front bumper step plates	●	●
<b>Exterior lighting</b>		
Halogen headlights, side lights, rear fog lights, reversing lights	●	●
Front fog lights	●	●
Headlight levelling	●	●
High-mounted rear brake light	●	●
Headlights – "Home Safe" facility, 30 seconds duration	●	●

● = Standard, ○ = Option, at extra cost, ●+ = No cost option.

## Audio and communications

	8-seat Limited	9-seat Trend
Stereo radio/single-disc CD player – Model 6000 RDS with auxiliary MP3 connector; 2 speakers; 24 station pre-sets; 2x17 watts power output and remote steering column mounted controls	●**	●
Stereo radio/6-disc CD player* – Model 6006 RDS with auxiliary MP3 connector; 2 speakers; 24 station pre-sets; 2x17 watts power output and remote steering column mounted controls	●*	○*
Satellite Navigation FX system – Full 7 digit postcode capability; 5" TFT colour display; stereo radio/single CD player with auxiliary MP3 capability; 2 speakers; 24 station pre-sets; 2x20 watts power output and remote steering column-mounted controls.	○	○
Bluetooth® module with wireless integration between phone and audio system and voice dialling	○	○

● = Standard, ○ = Option, at extra cost. The Bluetooth® word mark and logos are owned by the Bluetooth SIG, Inc. and any use of such marks by Ford Motor Company is under license. Other trademarks and trade names are those of their respective owners. \*available until autumn 2010. \*\*available from autumn 2010.

## Interior features

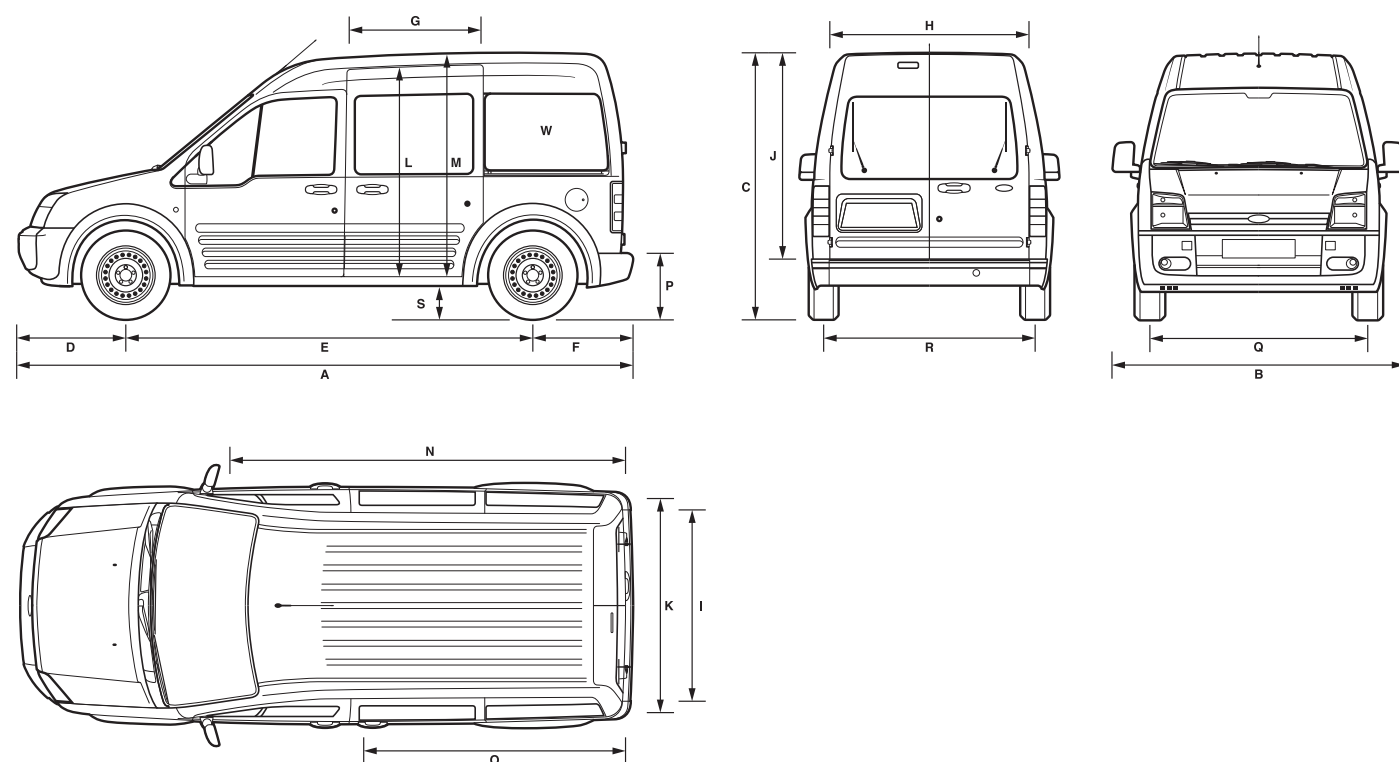
	8-seat Limited	9-seat Trend
<b>Carpet and trim</b>		
Door trim – Front, moulded with pull handles and storage pockets	●	●
Floor covering – Cab, carpet	●	●
Floor covering – Rear, carpet	●	●
Headlining – Moulded full length	●	●
<b>Interior lighting</b>		
Courtesy lights – Header-mounted, front door-operated	●	●
Courtesy lights – Front passenger and side door step wells	●	●
Floorwell lights	●	●
Interior lighting/battery saver – 30 minutes	●	●
<b>Instruments and controls</b>		
Instruments – Speedometer, tachometer, odometer, trip computer, fuel gauge, water temperature gauge, ambient temperature gauge, alarm clock and digital clock	●	●
Warning lights for oil pressure, direction indicator, high beam, lights on, ignition/alternator, brake failure, loadspace light on, airbag(s) (where fitted)	●	●
Illuminated heater controls – 3-speed fan. Four vents with temperature and direction control, two dedicated side window demisters.	●	●
Shift Indicator Light	●	●
Air vents – Bright finish	●	●
Trip computer (functionality includes clock, distance to fuel empty, average fuel consumption, average speed, outside air temperature)	●	●
Water in fuel filter with sensor	●	●
Cold start (-20°C)	●	●
Tachograph – Digital, electronic, 24-hour*	○	○
Cruise control (includes leather-wrapped steering wheel with silver effect spokes and leather gear knob with aluminium insert)	●	●

## Interior features

	8-seat Limited	9-seat Trend
<b>Seats</b>		
Seat trim – Kado velour	●	●
Seat trim – Verona leather	○	
Front seat – <b>Kado / 10-way</b> driver(fore/aft; recline; height; tilt and lumbar) <b>heated / Dual</b> passenger seat / manual adjustment with fixed armrest and height adjustable head restraints / (administrative use – <b>seat pack 25</b> )	○	●
Front seat – <b>Kado / 10-way</b> driver (fore/aft; recline; height; tilt and lumbar) <b>heated / Single, 10-way</b> passenger seat (fore/aft; recline; height; tilt and lumbar) <b>heated /</b> manual adjustment with fixed armrest and height adjustable head restraints/ (administrative use – <b>seat pack 26</b> )	●	
Front seat – <b>Kado / 10-way</b> driver (fore/aft; recline; height; tilt and lumbar) <b>heated / Single, 10-way</b> passenger seat (fore/aft; recline; height; tilt and lumbar) / manual adjustment with fixed armrest and height adjustable head restraints <b>heated / side airbags</b> (automatically specifies passenger front airbag at extra cost) (administrative use – <b>seat pack 34</b> )	○	
Front seat – <b>Verona / 10-way</b> driver (fore/aft; recline; height; tilt and lumbar) <b>heated / Single, 10-way</b> passenger seat (fore/aft; recline; height; tilt and lumbar) / manual adjustment with fixed armrest and height adjustable head restraints <b>heated / side airbags</b> (automatically specifies passenger front airbag at extra cost) (administrative use – <b>seat pack 29</b> )	○	
Front seat – <b>Verona / 10-way</b> driver (fore/aft; recline; height; tilt and lumbar) <b>heated / Dual</b> passenger seat / manual adjustment with fixed armrest and height adjustable head restraints / <b>side airbags</b> (automatically specifies passenger front airbag at extra cost) (administrative use – <b>seat pack 28</b> )		○
Rear seats – <b>2nd row</b> , triple with single midi-fold seat, <b>3rd row</b> ; folding, detachable seat ( <b>rear seat pack 22</b> )	●	●
Seat belts – Height-adjustable mount, driver's and outer front passenger's side	●	●
Seat belts – Rear, 3-point inertia reel	●	●
<b>Comfort and convenience</b>		
Air conditioning – Front, CFC-free	●	●
Air conditioning – Rear, CFC-free (includes front air conditioning, deletes rear heater)	●	○
Bottle holder – Twin, 2 litre bottle capacity, facia-mounted	●	●
Cup holder – Twin, facia-mounted, drop-down	●	●
Glovebox – With lid and A4 file storage capability, moulded hook in lid	●	●
Grab handle – Passenger's side, A-pillar mounted	○	○
Heater – Recirculation	●	●
Heating – Rear compartment		○
Mirror – Dipping, rear-view	●	●
Power point socket (located in driver's top stowage bin)	●	●
Rear auxiliary power point socket	○	○
Smokers' Pack – Cigarette lighter and ashtray	○	○
Storage – Front door map pockets	●	●
Storage – Driver's and passenger's side, storage compartments on facia top with lift up lids	●	●
Storage – Central slot for 1" A4 binder or clipboard storage	●	●
Storage – Centre stack-mounted car park/toll ticket holder	●	●
Sunvisors – Swivelling	●	●
Tray – Centre facia-mounted, swivelling with two cupholders and a pen groove	●	●
<b>Rear compartment</b>		
Floor covering – Carpet	●	●
Tie-down loops – Rear compartment	●	●

● = Standard, ○ = Option, at extra cost. **\*Tachograph** – When a vehicle is fitted with a trailer towing attachment it is recommended that a tachograph is fitted, since the ability to tow a trailer giving a GTM of over 3500kg without a tachograph could be considered to be contrary to EU and UK road traffic law. (Please note that a digital tachograph cannot be retrofitted to stock FWD vehicles - factory order only).

## Ford Tourneo Connect LWB



### Dimensions (mm)

	Tourneo Connect
<b>A</b> Overall length	4525
<b>B</b> Overall width without mirrors	1795
<b>B</b> Overall width with mirrors	2044
<b>C</b> Overall height (laden/unladen)	1906/1980
<b>D</b> Front overhang	861
<b>E</b> Wheelbase	2912
<b>F</b> Rear overhang	749
<b>G</b> Side door entry width	809
<b>H</b> Rear door opening width below belt	1293
<b>I</b> Load width between wheel arches	1226
<b>J</b> Rear door opening height	1316
<b>K</b> Load width	1490
<b>L</b> Side door opening height	1181
<b>M</b> Load floor to roof	1364
<b>O1</b> Load length (2nd row seat to rear)	1172
<b>O2</b> Load length (2nd row seat folded)	1529
<b>P</b> Loading height (laden/unladen)	496/601
<b>Q</b> Front track	1505
<b>R</b> Rear track	1552
<b>S</b> Ground clearance	166
<b>W1</b> Cargo volume (2nd row seat up)	2.1 (cu.m)

### Dimensions (mm)

	Tourneo Connect
<b>W2</b> Cargo volume (2nd row seat folded)	3.4 (cu.m)
<b>Additional information</b>	
<b>Interior – Front</b>	
Effective headroom	1304
Maximum effective leg room	1008
Shoulder room	1382
Hip room	1284
<b>Interior – Rear, 2nd row</b>	
Effective headroom	1270
Maximum effective leg room	979
Shoulder room	1564
Hip room	1550
Load length (2nd row seat to rear)	1172
Load length (2nd row seat folded)	1529
<b>Interior – Rear, Optional 3rd row</b>	
Effective headroom	1137
Maximum effective leg room	835
Shoulder room	1480
Hip room	1323

**Key:** All dimensions (shown in mm) are subject to manufacturing tolerances and refer to minimum specification models and do not include additional equipment. These illustrations are for guidance only. Dimensions may vary dependent on the model and equipment fitted.

## Weights and loads

	Gross Payload <sup>o</sup>	Gross vehicle mass (kg)	Kerb mass (kg)*	Front axle kerb mass (kg)	Rear axle kerb mass (kg)	Axle ratio	Max. GTM (kg) with quoted axle ratio
<b>T230 LWB Tourneo 5 seats (inc Trend)</b>							
1.8 Duratorq TDCi Diesel (90 PS)	763	2330	1585	906	679	4.06	3130
1.8 Duratorq TDCi Diesel (110 PS)	759	2330	1589	912	677	3.80	3130

<sup>o</sup>Payload = Gross vehicle mass, less kerb mass.

All kerb masses quoted in this brochure are subject to manufacturing tolerances and are for base models with minimum equipment, Trend models will have greater kerb masses and, therefore, lower payloads due to the increased amount of standard equipment. Any additional Options specified on the vehicle will reduce the Payload accordingly.

\*Represents the lightest kerbweight assuming full fluid levels and 90% fuel levels, subject to manufacturing tolerances and options, etc., fitted.

## Model availability

	Tourneo Connect	Tourneo Connect Trend
<b>Ford Tourneo Connect</b>		
1.8 Duratorq TDCi Diesel (90 PS)	●	●
1.8 Duratorq TDCi Diesel (110 PS)	●	●

● = Standard. **Note:** All Tourneo Connect engines are Stage IV emissions level.

## Engine data

	Engine technical features	Maximum power <sup>o</sup>	Maximum torque <sup>o</sup>
<b>1.8 Duratorq TDCi Diesel 66 kW (90 PS)</b> 1753 cc	4 cylinders in line; SOHC; 8 valves; direct injection with high-pressure, common-rail, multipoint fuel injection system; variable nozzle turbocharger with intercooler and transient torque overboost function; electronic throttle	66 kW (90 PS) at 4000 min <sup>-1</sup> (rpm)	220/240* Nm at 1750 min <sup>-1</sup> (rpm)
<b>1.8 Duratorq TDCi Diesel 81 kW (110 PS)</b> 1753 cc	4 cylinders in line; SOHC; 8 valves; direct injection with high-pressure, common-rail, multipoint fuel injection system; variable nozzle turbocharger with intercooler and transient torque overboost function; electronic throttle	81 kW (110 PS) at 3500 min <sup>-1</sup> (rpm)	250/280* Nm at 1500-3200 min <sup>-1</sup> (rpm)

<sup>o</sup>Tested in accordance with ISO 1585. \*With transient overboost. **Note:** All Tourneo Connect engines are Stage IV emissions level.

## Fuel, performance and emissions

	CO <sub>2</sub> emissions (g/km) <sup>oo</sup>	Fuel consumption MPG (L/100 km) <sup>oo</sup>			Performance <sup>o</sup>		
		Urban	Extra Urban	Combined	Max. speed (mph)	0-62 mph (secs)	30-50mph* (secs)
<b>Ford Tourneo Connect</b>							
1.8 Duratorq TDCi Diesel 90 PS	168	35.8 (7.9)	51.3 (5.5)	44.1 (6.4)	97	15.2	16.2
1.8 Duratorq TDCi Diesel 110 PS	159	37.2 (7.6)	54.3 (5.2)	47.1 (6.0)	103	13.2	13.3

\*In 4th gear. Vehicles tested at base kerbweight +200kg <sup>o</sup>Ford test figures. **Note** All vehicles are 5-speed manual. <sup>oo</sup>All CO<sub>2</sub> emissions figures in g/km and fuel consumption figures in L/100 km are from officially approved tests in accordance with 80/1268/EEC as amended. The CO<sub>2</sub> emissions and fuel consumption test figures shown in the chart do not express or imply any guarantee of the emissions or fuel consumption of a car of the class in question. All the figures are based on tests conducted on vehicles with standard wheels and tyres; optional or accessory wheels and tyres may have an effect on the emissions and fuel consumption of a vehicle.



## Mechanical features

	Tourneo Connect	Tourneo Connect Trend
<b>Brakes</b>		
Diagonally-split, with dual-line servo-assistance. Front discs, rear disks	●	●
Engine		
Speed limiter - 62 mph (100 km/h)	○	
Speed limiter - 70 mph (112 km/h)	○	
<b>Fuel tank</b>		
Capacity – 60 litres	●	●
<b>Steering</b>		
Power-assisted	●	●
Steering column – Rake/reach-adjustable	●	●
<b>Suspension and body</b>		
Front – Independent with MacPherson struts, variable rate coil springs, gas-pressurised shock absorbers, and anti-roll bar	●	●
Rear – Multi-leaf springs, gas-pressurised shock absorbers, and anti-roll bar	●	●
Towing eyes – Front and rear	●	●
<b>Turning circle</b>		
Kerb to kerb 11.9 m	●	●

● = Standard, ○ = Option, at extra cost.

## Safety and security

	Tourneo Connect	Tourneo Connect Trend
<b>Safety</b>		
Anti-lock brakes (includes Electronic Brake Distribution)	●	●
Auto Hazard Warning Lights	●	●
Electronic Stability Programme (ESP) with Hill Launch Assist (HLA)	●	●
Side impact door beams, front. Collapsible steering column. Energy absorbing crumple zones, front and rear	●	●
Airbag – Driver's	●	●
Airbag – Front passenger's* with de-activation switch	●	●
Airbags – Front side impact	○	○
Seat belts – Front, inertia reel, with grabbers, static buckle and roto-pretensioner (driver's seat only) and height-adjustable mounts	●	●
Seat belts – 2nd row, inertia reel lap and diagonal	●	●
Seat belts – 3rd row, inertia reel lap and diagonal	○	●
ISOFIX child seat fixings – Two fixings on the second row seats	●	●
<b>Security</b>		
Alarm – Perimeter	○	○
Fuel cap – Locking body colour flap	●	●
Immobiliser – Passive Anti-Theft System (PATS)	●	●
Locks – High security, lock-in-latch system, shielded with strengthened mountings	●	●
Locks – Remote keyless entry	●	●
Locks – Central, double locking	●	●
Locks – Key operated bonnet release	●	●
Vehicle Identification Number (VIN) – Visible	●	●

● = Standard, ○ = Option, at extra cost.

**\*Note: A rear-facing child seat should never be placed in the front passenger's seat when the Ford vehicle is equipped with a front passenger or side airbags.**

## Wheel availability

	Tourneo Connect	Tourneo Connect Trend
Wheels – 6x15" steel with full wheelcover (full-size spare) and 195/65 R15 tyres	●	
Wheels – 6x15" steel with Trend wheel cover (full-size spare) and 195/65 R15 tyres		●
Wheels – 15" 7-spoke alloy wheels (full-size steel spare) and 195/65 R15 tyres	○	○

● = Standard, ○ = Option, at extra cost.

## Exterior features

	Tourneo Connect	Tourneo Connect Trend
<b>Exterior appearance and styling</b>		
Bodyside mouldings – One-piece, Torque Grey	●	●
Bumpers – Torque Grey	●	
Bumpers – Body Colour, front and rear		●
Paint – Metallic	○	●
SVO paint	○	○
Wheel lip mouldings – Torque Grey	●	●

### Exterior functional

Door mirrors – Manual, flat folding, black housings	●	
Door mirrors – Electrically-operated and heated, black housings	□	●
Doors – Hinged rear doors, glazed	●	●
Doors – Driver and passenger side sliding load doors, glazed	●	●
Heated rear window(s)	●	●
Parking distance sensor – Rear	○	○
Tinted glass – Front door windows and windscreen only	●	●
Tinted glass – Heavy tint privacy, all rear windows		●
Towing eyes – Front and rear	●	●
Positive Tyre Selection – Goodyear, Pirelli or Bridgestone	○	○
Mud and Snow tyres	○	○
Windscreen – Laminated	●	●
Windscreen – Quickclear heated (includes heated washer jets)	□	●
Visibility Pack – 'Quickclear' heated windscreen, electrically-operated and heated door mirrors, heated washer jets	○	
Premium Visibility Pack – 'Quickclear' heated windscreen; electrically-operated and heated door mirrors; automatic headlights; automatic front wipers with rain sensor; instrument panel dimmer; front fog lights, heated washer jets, auto dimming rear view mirror		●
Wipers – Front, 2-speed, with intermittent wipe and electric wash	●	●
Wipers – Rear, with fixed intermittent wipe and electric wash	○	●

Wipers – Front, 2-speed, with intermittent wipe and electric wash	●	●
Wipers – Rear, with fixed intermittent wipe and electric wash	○	●

### Exterior lighting

Halogen headlights, side lights, rear fog light, reversing light	●	●
Headlights – Home safe	●	●
Clear side indicators	●	●
High-mounted rear brake light	●	●
Fog lights – Front		●

● = Standard, ○ = Option, at extra cost, □ Part of an option pack at extra cost

## Interior features

	Tourneo Connect	Tourneo Connect Trend
<b>Audio</b>		
Radio pre-equipment pack	●	●
Island design stereo AM/FM radio/CD – Model 6000 RDS with 24 station pre-sets, 4x17 watts power output, enhanced 'Keycode' anti-theft coding, 4 speakers, AUX connection for external music devices and remote audio controls	●	●
Bluetooth® Hands-Free Phone and Voice Control System, with additional 12 volt power point	○	●
CD/SD Navigation System with Radio/CD – 5" colour display, 4 speakers, remote audio controls, AUX connection for external music devices, SD memory card slot for data (e.g. music) exchange; navigation data on SD card.	○	○
<b>Carpet and trim</b>		
Cab floor covering – Non-woven velour carpet	●	●
Door trim – Moulded panel with pull handles and, on front doors only, door bins	●	●
Gearshift gaiter – Black	●	●
Gear knob – Black with black insert	●	
Gear knob – Black with silver insert		●
Radio/CD fascia in silver finish		●
Instrument panel – Dark Pewter	●	●
Instrument panel – Two tone, Brilliant Blue over Dark Pewter		○
<b>Interior lighting</b>		
Courtesy light – Header-mounted, front door-operated with theatre-style dimming; for rear passengers and in load compartment	●	
Map reading light in lieu of courtesy light		●
Load compartment light – One, roof mounted	●	●
<b>Instruments and controls</b>		
Control stalks – Column-mounted for master lights, indicators and wash/wipe functions	●	●
Illuminated heater controls – 4-speed fan. Five vents with temperature and direction control	●	●
Instruments – Speedometer, engine temperature, fuel level gauges, tachometer and trip recorder	●	●
Warning indicators for oil pressure, direction indicators, glow plugs, main beam, ignition/alternator, brake failure, handbrake on, airbag(s), low fuel level, 'lights on' audible warning, ABS, check engine	●	●
Trip computer	●	●
Steering wheel – Black	●	
Steering wheel – Black with aluminium spoke shells		●

## Interior features

	Tourneo Connect	Tourneo Connect Trend
<b>Seats</b>		
Front seat – Driver's 4-way manual adjustment	●	
Front seat – Driver's 6-way manual adjustment	○	●
Front seat – Passenger's 4-way manual adjustment (includes underseat storage)	●	●
Front seat – Driver's armrest and adjustable lumbar support	○	●
Front seats – Anti-submarining, fully reclining with height-adjustable head restraints	●	●
Storage pockets – Driver's and front passenger's seat back	●	●
2nd row seat – 60:40 fold and tumble lock with head restraints on all seats	●	●
Seat trim – Fabric	●	●
<b>Comfort and convenience</b>		
Accessory socket	●	●
Air conditioning – CFC-free with air recirculation	○	○
Centre console – Includes coin holders, two cup holders and CD area	●	●
Clock – Digital	●	●
Coat hooks – Four	●	●
Grab handle – Passenger's front	●	●
Heater – Recirculation	●	●
Mirror – Dipping rear-view	●	
Mirror – Auto dimming rear-view		●
Smoker's Pack - Front ashtray and cigar lighter	○	○
Storage – Centre fascia-mounted clipboard holder	●	●
Storage – Overhead full-width shelf	○	●
Storage – Under passenger's seat	●	●
Sunvisor – Driver's with ticket strap	●	●
Sunvisor – Passenger's	●	●
Windows – Front, electrically-operated with 'one touch' lowering on driver's side	●	●
<b>Luggage compartment</b>		
Load liner – Floor	●	●
Load liner – Wheel arch liner	●	●
Storage – Door stowage bin and net	●	●

● = Standard, ○ = Option, at extra cost.

The Bluetooth® word mark and logos are owned by the Bluetooth SIG, Inc. and any use of such marks by Ford Motor Company is under license. Other trademarks and trade names are those of their respective owners.

## Special Vehicle Options

	Tourneo Connect	Tourneo Connect Trend
SVO Paint package	○	○

○ = Option, at extra cost.

# Colour and trim

## Transit Minibus trim and body colour availability

Seat trim	Trim colour	Solid Body Colours			Metallic Body Colours					
		Colorado Red	Blazer Blue	Frozen White	Moondust Silver	Panther Black	Sea Grey	Chill	Avalon	Vision
<b>Transit</b>										
Tomy fabric	Lichen	●	●	●	○	○	○	○	○	○

● = Standard, ○ = Option, at extra cost; metallic paint is an option at extra cost on Transit.

## Tourneo trim and body colour availability

Seat trim	Trim colour	Solid Body Colours			Metallic Body Colours					
		Colorado Red	Blazer Blue	Frozen White	Moondust Silver	Panther Black	Sea Grey	Chill	Avalon	Vision
<b>Trend</b>										
Kado velour	Lichen	●	●	●	●+	●+	●+	●+	●+	●+
<b>Limited</b>										
Kado velour	Lichen	●	●	●	●+	●+	●+	●+	●+	●+
Verona leather	Lichen	○	○	○	○	○	○	○	○	○

● = Standard, ○ = Option, at extra cost, ●+ = No charge option; Metallic paint is a no charge option on Trend, Limited. Leather trim are options at extra cost.

## Tourneo Connect trim and body colour availability

Seat insert/bolster trim and colour	IP/Enviroment colour	Solid body colours			Metallic body colours*						
		Frozen White	Colorado Red	Blazer Blue	Moondust Silver	Chill	Sea Grey	Avalon	Panther Black	Ink Blue	Vision
<b>Tourneo Connect</b>											
Lattice/Twill fabric in Dark Pewter	Dark Pewter/ Dark Pewtrr	●	●	●	○	○	○	○	○	○	○
<b>Tourneo Connect Trend</b>											
Lattice/Twill fabric in Dark Pewter	Dark Pewter/ Dark Pewtrr	●	●	●	●+	●+	●+	●+	●+	●+	●+
Lattice/Twill fabric in Brilliant Blue	Brilliant Blue/ Dark Pweter	●	●	●	●+	●+	●+	●+	●+	●+	●+

● = Standard, ○ = Option, at extra cost, ●+ No charge option; \*Metallic paint is available at extra cost on Tourneo Connect, no charge on Tourneo Connect Trend.

## Special Vehicle Options (SVO)

While the Ford Commercial Vehicle range already offers an extensive choice of off-the-shelf features and options, the Special Vehicle Options (SVO) programme goes a step further. With special options ranging from smaller items like a secondary heavy-duty battery, to something more complex, such as a tailgate on selected roof height derivatives, the SVO team is here to help. So whether you want your next vehicle supplied in a special colour to match your company's livery, or need a dedicated conversion for specialist use, SVO has the flexibility and experience to provide a vehicle that's right for you.

For more information, please speak to your local Ford Transit Specialist Dealer.

**Note** The images used are to illustrate body colours only and may not reflect the vehicle described. Colours and trims reproduced within this brochure may vary from the actual colours, due to the limitations of the printing processes used.

## Classic colours



Colorado Red



Frozen White



Blazer Blue



Moondust Silver\*



Panther Black\*

## Contemporary colours\*



Sea Grey\*



Chill\*



Avalon\*



Ink Blue\*



Vision\*

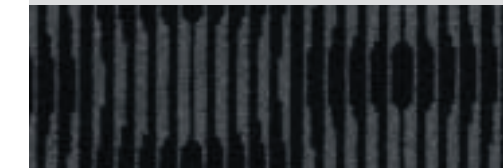
\*Metallic paint (available at extra cost)

Ford understands the colour you select may represent your corporate colour choice for years to come. Therefore we recommend you select one of our classic colours or, if you need a unique colour for your fleet, speak to your local dealer about our SVO colours that offer you more than 100 colour options. Contemporary colours reflect the latest trends in vehicle colouring but are subject to deletion.

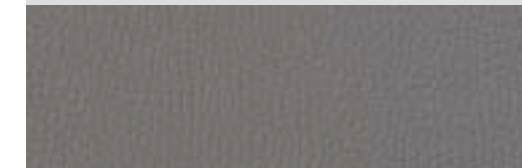
**Ford Transit Minibus**  
Tomy fabric seat trim in Lichen



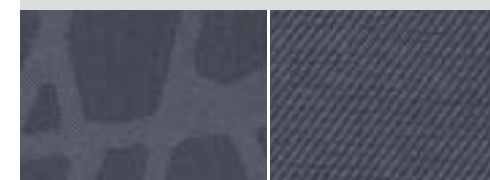
**Ford Transit Tourneo Trend and Limited**  
Kado velour seat trim in Lichen



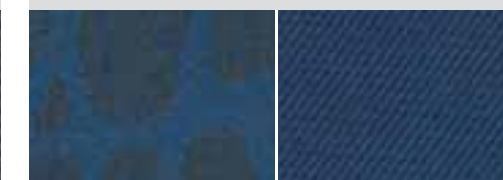
**Ford Transit Tourneo Limited**  
Verona leather seat trim (Option)



**Ford Tourneo Connect**  
Lattice/Twill cloth seat trim in Dark Pewter



**Ford Tourneo Connect Trend**  
Lattice/Twill cloth seat trim in Brilliant Blue



**Illustrations, descriptions and specifications.** This brochure was correct at the time of going to print. However, Ford policy is one of continuous product development. The right is reserved to change specifications, colours and prices of the models and items illustrated and described in this publication at any time. For the latest details always consult your Ford Dealer. **Optional equipment.** Throughout this publication, wherever a feature is described as being an 'Option' or 'Optional Fitment/Pack', etc., you should assume that it will be at extra cost to the base vehicle, unless specifically stated to the contrary. All models and colour combinations are subject to availability. **Note.** Some images portrayed are of a pre-production model and/or are computer generated, therefore, the design/features on the final version of the vehicle may differ in various respects. In addition, some of the features shown on the vehicles may be optional. **Note.** This brochure contains both original Ford accessories as well as a range of carefully selected products from our suppliers, which are featured under their own brands. All supplier branded products are subject to warranty terms defined by the relevant suppliers and do not lie within the responsibility of Ford. **Note.** The Bluetooth® word mark and logos are owned by the Bluetooth SIG, Inc. and any use of such marks by Ford Motor Company is under licence. Other trademarks and trade names are those of their respective owners.

**The Government fuel figures** do not express or imply any guarantee of the fuel consumption of any particular car. The cars themselves have not been tested and there are inevitably differences between individual cars of the same model. In addition, a car may incorporate particular modifications. Furthermore, the driver's style and road and traffic conditions, as well as the extent to which the car has been driven and the standard of maintenance, will affect its fuel consumption.



Collect Nectar points at participating Ford Dealers and Authorised Repairers now. So take a look at the latest Ford Service Promotions by visiting the Owner Services section within [www.ford.co.uk](http://www.ford.co.uk).



Ford and BP – working together to reduce fuel consumption and emissions.



BY APPOINTMENT TO  
HER MAJESTY THE QUEEN  
MOTOR VEHICLE MANUFACTURERS  
FORD MOTOR COMPANY LIMITED  
BRENTWOOD ESSEX



BY APPOINTMENT TO  
HIS/HER PRINCE OF WALES  
MOTOR VEHICLE MANUFACTURERS  
FORD MOTOR COMPANY LIMITED  
BRENTWOOD ESSEX



When you have finished with the brochure please recycle it.

Published by Commercial Vehicle Marketing,  
Ford Motor Company Limited,  
Brentwood, Essex, England.  
Registered in England No. 235446.  
**FA 1552/3**  
BJN 307005. FoE H48E.  
PN 077504/0710/7.5m/GBR en.  
July 2010.  
© Ford Motor Company Limited.

[www.ford.co.uk](http://www.ford.co.uk)

