



Dacia Logan MCV



Network

To find your nearest Dacia dealer, please consult the dealer locator on our website at www.dacia.co.uk. Alternatively, you can call our Dacia Customer Services helpline on 0344 3351111.

Servicing

The service interval on all versions of Dacia Logan MCV is 1 year or 12,000 miles, whichever limit is reached first. Your local Dacia dealer is fully equipped to service your Dacia Logan MCV.

Warranty

Your new Dacia is covered by a standard 3 year / 60,000 mile* warranty package. Under the terms of this Warranty, your Dacia dealer is able to repair or replace, without charge, parts that are found to have a material or assembly defect that is recognised by Dacia. Your new Dacia also comes with a 2 year paintwork warranty, as well as a 6 year anti-corrosion warranty.

Extended Warranty

At Dacia, we don't force you to pay a premium for a longer warranty if you don't want one, but we'll offer you the opportunity to purchase one if you do. By extending your warranty, you'll benefit from ongoing protection from mechanical and electrical failure after the standard manufacturer's warranty has expired. Extended warranties may be purchased at any time up to one year after the first date of registration. You can choose to extend your Warranty to the following levels:

- 5 years / 60,000 miles*
- 7 years / 100,000 miles*

Roadside Assistance

We don't expect it to happen, but we'll ensure help is on hand if it does. In the event of a breakdown, help is just a phone call away with Dacia Assistance. This service is provided 24 hours a day, 365 days a year. We'll provide prompt roadside assistance in the UK and Northern Ireland for the first 3 years / 60,000 miles*, in line with the terms of the standard manufacturer's Warranty.

* From first date of registration. Expires on the first of the two limits reached.

Although every effort has been made to ensure that the information contained within this brochure is as accurate and up to date as possible, Dacia UK reserves the right to modify its models without notice, including their characteristics, specifications, equipment and accessories. Brochures inevitably become out of date or inaccurate in some respects, in that such characteristics, specifications, equipment, or accessories may be changed after the publication date given below and can differ from the descriptions given. It is therefore necessary to check with your Dacia Dealer before purchasing any product that the characteristics, specifications, equipment or accessories of the vehicle on order are as advertised. Publication date January 2016.

CHARTERHOUSE - PART NUMBER 7701 380 800 - JANUARY 2016
Dacia UK Customer Relations, The Rivers Office Park, Denham Way, Maple Cross, Rickmansworth, Hertfordshire, WD3 9YS - Tel: 0344 3351111



Dacia Logan MCV



Introducing Dacia Logan MCV

Once upon a time, vast interior space went hand-in-hand with vastly inflated prices. Then, along came Dacia Logan MCV and times changed. Say hello to a new reality..

With best-in-class boot capacity and ample interior space for five adults, Logan MCV offers unrivalled pound-for-pound versatility. Every inch a "Maximum Capacity Vehicle", Logan MCV makes responding to the real demands of life that little bit easier. Whether it's a new piece of furniture or your family and their luggage, Logan MCV's extraordinary load capacity will get you there with room to spare.

With a 573 litre boot which expands to 1,518 litres with the rear seats folded down, transporting large and awkward items is a doddle. A 60/40 split-folding rear seat and a forward-folding front passenger seat also make for maximum flexibility when driving with rear passengers or transporting longer items.

With Logan MCV, big space doesn't mean big running costs. The state-of-the-art TCe 90 3-cylinder turbocharged petrol engine combines peppy performance with frugal fuel efficiency and CO₂ emissions of just 109 g/km. Or, for long distance cruising, why not choose the dCi 90 diesel engine, with combined fuel consumption of 80.7mpg and CO₂ emissions of just 90 g/km?

At Dacia, our simple range of cleverly designed cars uses only useful technology. That's because we believe you should only pay for the things that you value, rather than for those you don't. Priced from just £6,995 on-the-road, Dacia Logan MCV offers a groundbreaking combination of practicality and affordability. Take our fully-integrated touchscreen MediaNav navigation system for £300, for example. Or, how about luxurious leather upholstery for £600? With three simple trim levels, a range of useful options and extended warranty up to 7 years / 100,000 miles, it's easy to tailor a package to suit you.

Dacia Logan MCV. Maximum Capacity. Minimal cost.



Model shown is a Logan MCV Lauréate in Stone



Equipment

CORE FEATURES - standard on all versions of Dacia Logan MCV

Exterior Features

- Tinted windows

Safety

- 3 x 3-point rear seatbelts
- Anti-lock braking system (ABS) and Emergency Brake Assist (EBA)
- Child locks in rear doors
- Door open - visual warning
- Driver's airbag
- ESC (Electronic Stability Control) with ASR (Traction control)
- Front side airbags
- Height-adjustable front headrests
- High-level third rear brake light
- ISOFIX points for child seats in both outer rear seats
- Passenger airbag with deactivation function
- Seatbelt not fastened - visual and audible warning
- Tyre pressure monitor
- Tyre inflation kit

Security

- Thatcham-approved engine immobiliser

Driving and Controls

- Gear shift indicator
- Headlights left on - audible and visual warning
- Power-assisted steering
- Rev counter

Visibility and Exterior Lighting

- 3-speed front windscreen wipers
- Daytime running lights (DRL)
- Front courtesy light
- Heated rear window
- Rear wash/wipe
- Single optic headlights with chrome surrounds

Comfort and Convenience

- 12v socket
- 4-speed heating and ventilation system
- 60/40 split folding rear seat (seatback only split)

ACCESS - additional equipment over core features

Exterior Features

- 15" 'Gobi' steel wheels
- Body-coloured bumpers
- Black door handles
- Black door mirrors
- Black longitudinal roof bars

Interior Features

- Black air vent surrounds
- Black central console surround
- Black 'Element' cloth upholstery

Visibility and Exterior Lighting

- Door mirrors - manually-adjustable

Comfort and Convenience

- Manual front windows
- Manual rear windows

Communication and Connectivity

- Pre-wiring for accessory-fit radio and speaker system

AMBIANCE - additional equipment over Access

Exterior Features

- 15" 'Colorado' wheel trims
- Black side protection mouldings

Interior Features

- Chrome air vent surrounds
- Chrome steering wheel logo surround
- Two tone 'Atom' cloth upholstery

Safety

- 3 height-adjustable rear headrests

Security

- Anti-intruder automatic door-locking system
- Remote central locking

Driving and Controls

- ECO mode (TCe 90 and dCi 90 versions only)
- Stop & Start (TCe 90 and dCi 90 versions only)
- Hill Start Assist (TCe 90 engine)

Comfort and Convenience

- Boot light
- Electric front windows
- Front passenger grabhandle
- Passenger vanity mirror in sunvisor
- Luggage cover

Communication and Connectivity

- AUX input
- Bluetooth connectivity
- Radio with CD player including MP3 CD reader with fingertip controls and 2 front speakers
- USB connection for MP3 players

LAUREATE - additional equipment over Ambiance

Exterior Features

- 15" 'Sahara' alloy wheels
- Body-coloured door handles
- Body-coloured door mirrors
- Chrome front grille
- Satin chrome longitudinal roof bars

Interior Features

- Graphite central console surround
- Graphite front door handles
- Graphite steering wheel lower insert
- Chrome gear lever cap insert
- Chrome heating control inserts
- Leather gearknob
- Dark carbon 'Quantum' cloth upholstery

Safety

- Height adjustable front seatbelts

Driving and Controls

- 7-function on-board computer: odometer, trip computer, fuel used, average fuel consumption, fuel range, average speed, next service indicator, outside temperature gauge
- Cruise control and speed limiter

Visibility and Exterior Lighting

- Front fog lights
- Heated and electrically-adjustable door mirrors

Comfort and Convenience

- Height-adjustable driver's seat
- Height-adjustable steering wheel
- Manual air-conditioning
- Map pockets on front seatbacks
- Rear passenger grab handles

Communication and Connectivity

- Radio with CD player including MP3 CD reader with fingertip controls, 2 front speakers and 2 rear speakers

MediaNav

Dacia's on-board touch screen tablet MediaNav provides access to useful and practical features including: navigation, media from multiple sources and handsfree telephone using Bluetooth® technology. Enjoy stress free travel with Dacia MediaNav.



Navigation

Provided by Navteq with vocal guidance.



Phone

Bluetooth® technology* allows you to make and receive calls on the move.



Music

FM/AM tuner, connect devices via USB and AUX sockets.



Connectivity - MediaNav Evolution only

Smartphones with the AHA app can stream internet radio (uses phone data). Siri Eyes-Free for compatible iPhones (iOS 5 or later).



*MediaNav Evolution is available as an option on vehicles built from December 2015. Vehicles built before this date will have MediaNav.
*For compatible devices, please refer to <http://www.dacia.co.uk/owner-services/multimedia/>

Colours

SOLID



Glacier White (369)

METALLIC



Cinder Red (B76)



Mercury (D69)



Pearl Black (676)



Slate Grey (KNA)



Cosmos Blue (RPR)

Colour Code	Commercial Name	Access	Ambiance	Lauréate
SOLID				
369	Glacier White	●	●	●
METALLIC				
B76	Cinder Red	-	○	○
D69	Mercury	-	○	○
676	Pearl Black	-	○	○
KNA	Slate Grey	-	○	○
RPR	Cosmos Blue	-	○	○

Wheels



15" 'Gobi' steel wheels



15" 'Colorado' wheel trims



15" 'Sahara' alloy wheels

	Access	Ambiance	Lauréate
15" 'Gobi' steel wheels	●	-	-
15" 'Colorado' wheel trims	-	●	-
15" 'Sahara' alloy wheels	-	○	●

● = Standard ○ = Optional - = Not available

Interiors and Upholstery

ACCESS



Black 'Element' cloth upholstery

AMBIANCE



Two tone 'Atom' cloth upholstery

LAUREATE



Dark carbon 'Quantum' cloth upholstery

Range Overview and Pricing

Version Name	Engines	Euro Status	HP	CO ₂ g/km	CO ₂ Band	Combined Fuel Consumption (mpg)	Benefit in Kind	Insurance Group	Basic Price (£)	VAT 20% (£)	Total Retail (£)	Manufacturer's "on the road" R.R.P†
Access	1.2 16v 75	6	73	130	D	48.7	21%	3E	5,287.50	1,057.50	6,345.00	£6,995.00
Ambiance	1.2 16v 75	6	73	130	D	48.7	21%	3E	5,954.17	1,190.83	7,145.00	£7,795.00
	TCe 90	6	90	109	B	57.7	16%	9P	6,620.83	1,324.17	7,945.00	£8,595.00
	dCi 90	6	90	90	A	80.7	16%	11P	7,454.17	1,490.83	8,945.00	£9,595.00
Lauréate	TCe 90	6	90	109	B	57.7	16%	11P	7,620.83	1,524.17	9,145.00	£9,795.00
	dCi 90	6	90	90	A	80.7	16%	12P	8,454.17	1,690.83	10,145.00	£10,795.00

† Manufacturer's on the road recommended retail price includes delivery to the Dealer premises, 12 months government road fund licence (depending on CO₂ emissions) and first registration fee at £55. Other goods and services supplied by agreement between the customer and the Dealer are not included.



Options and Accessories

OPTIONS	Access	Ambiance	Lauréate	Total Retail Price
Metallic paint	-	○	○	£495.00
Comfort Pack - Electric rear windows - Leather steering wheel	-	-	○	£100.00
15" 'Sahara' alloy wheels	-	○	●	£425.00
Rear parking sensors	-	-	○	£250.00
MediaNav^ 7" touchscreen multimedia system including ⁽¹⁾ : - Radio with 2x front and 2x rear speakers - Satellite navigation (GB and Northern Ireland mapping) - USB and AUX connection points - Bluetooth connectivity for handsfree telephony - Steering column-mounted fingertip controls	-	-	○	£300.00
European mapping upgrade to MediaNav ⁽²⁾	-	-	○	£90.00
Western European mapping upgrade to MediaNav Evolution ⁽³⁾	-	-	-	£90.00
Dark carbon leather upholstery ⁽⁴⁾	-	-	○	£600.00
Emergency spare wheel	○	○	○	£95.00

(1) Replaces standard fit radio with CD Player system. (2) Can only be ordered with MediaNav 7" touchscreen multimedia system. (3) Can only be ordered with MediaNav Evolution. (4) Genuine leather on central sections; synthetic leather on side and rear.
^ Or MediaNav Evolution depending on build date.

EXTENDED WARRANTY	Access	Ambiance	Lauréate	Total Retail Price
4 yrs / 60,000 miles [†]	○	○	○	£250.00
4yrs / 80,000 miles [*]	○	○	○	£295.00
5 yrs / 60,000 miles ^{**}	○	○	○	£395.00
7 yrs / 100,000 miles ^{**}	○	○	○	£850.00
SERVICE PLAN				
2yrs / 24,000 miles [†]	○	○	○	£309.00
3yrs / 30,000 miles [†]	○	○	○	£430.00
3yrs / 36,000 miles [†]	○	○	○	£500.00

Warranty expires on the first of the two limits reached. For full Warranty Terms and Conditions visit <http://www.dacia.co.uk/services-and-finance/warranty>. *Available to purchase from first date of registration up to end of manufacturer warranty.
** Available to purchase from first date of registration up to 12 months after registration. †The Service plan offer is available for vehicles ordered between 1st January 2016 and 31st March 2016 and registered in 2016. The Service plan covers the manufacturer's minimum maintenance programme requirements for the term of the plan purchased (refer to the Warranty and Service sheet in the Handover Document wallet for details). The plan ends when you reach the age or mileage limit (whichever comes first). For Service plan full Terms & Conditions visit www.dacia.co.uk/services-and-finance/service-plan

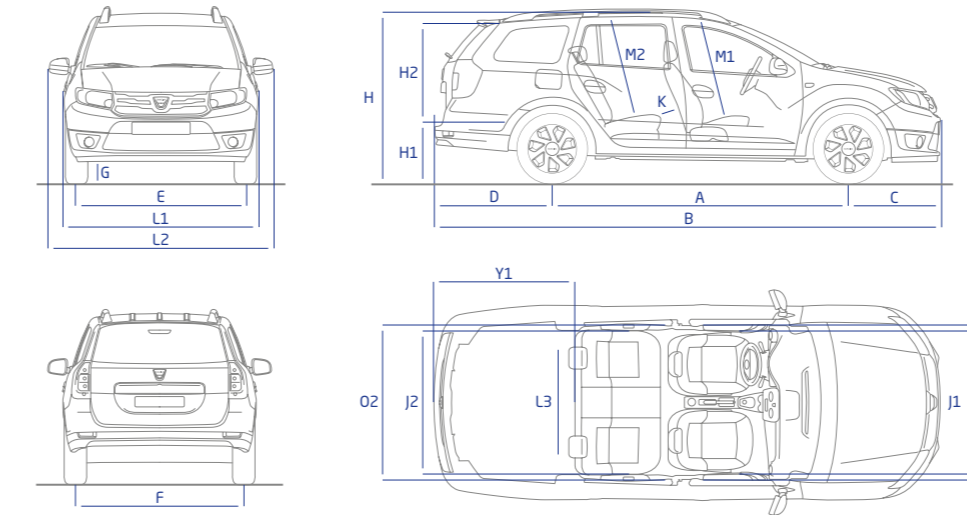
ACCESSORY PACKS [†]	Access	Ambiance	Lauréate	Total Retail Price
PROTECTION PACK Carpet mats - front and rear, Rear parking sensors Boot liner	○	○	○	£225.00
TOURING PACK Electric kit 7-pin, Tow bar Swan neck, Boot luggage net, Transversal roof bars	○	○	○	£395.00

†Accessories pricing includes fitting.

Technical Specifications

	1.2 16v 75	TCe 90	dCi 90	
ENGINE	Engine type	D4F 732	H4B 408	K9K 626
	Cubic capacity (cm³)	1,149	898	1,461
	Number of cylinders/valves	4 in line / 16	3 in line / 12	4 in line / 8
	Fuel	Unleaded petrol	Unleaded petrol	Diesel
	Fuel injection type	Multipoint sequential	Multipoint sequential	Commonrail direct + multipoint injection
	Aspiration	Naturally-aspirated	Turbocharged	Turbocharged
	Particulate filter (PF)	-	-	Standard
	Bore x Stroke (mm)	69.0 x 76.8	72.2 x 73.1	76.0 x 80.5
	Compression ratio	9.8	9.5	15.5
	Peak power Kw (HP) @ RPM	54 (73) @ 5,500	66 (90) @ 5,250	66 (90) @ 4,000
	Peak torque (Nm) @ RPM	107 @ 4,250	135 @ 2,500	220 @ 1,750
Stop and Start	No	Yes	Yes	
PERFORMANCE	Maximum Speed mph (km/h)	100 (162)	109 (175)	107 (173)
	0- 62 mph - secs (0-100 km/h)	14.5	11.1	11.8
	0 - 400m (secs)	19.4	17.5	18.2
	0 - 1000m (secs)	36.1	32.8	33.7
	CO ₂ (g/km)	130	109	90
FUEL CONSUMPTION* AND EMISSIONS	Urban cycle - mpg (l/100 km)	38 (7.4)	48.7 (5.8)	76.4 (3.7)
	Extra-urban cycle - mpg (l/100km)	57.7 (4.9)	65.7 (4.3)	83.1 (3.4)
	Combined cycle - mpg (l/100km)	48.7 (5.8)	57.7 (4.9)	80.7 (3.5)
	Drive type	Front-wheel drive	Front-wheel drive	Front-wheel drive
GEARBOX	Gearbox type/index	JH3/359	JH3/351	JR5/373
	Number of forward gears	5	5	5
	Vehicle speeds (mph) per 1000 rpm: in 1st gear	4.21	4.21	5.98
	Vehicle speeds (mph) per 1000 rpm: in 2nd gear	7.66	8.02	11.40
	Vehicle speeds (mph) per 1000 rpm: in 3rd gear	11.27	12.73	18.08
	Vehicle speeds (mph) per 1000 rpm: in 4th gear	15.24	17.37	24.69
	Vehicle speeds (mph) per 1000 rpm: in 5th gear	20.75	23.79	33.81
	Steering type	Power-assisted (Hydraulic)	Power-assisted (Hydraulic)	Power-assisted (Hydraulic)
STEERING	Turning circle between pavements / walls (m)	10.82	10.82	10.82
	Number of turns (lock-to-lock)	3.2	3.2	3.2
SUSPENSION	Front suspension type	Pseudo McPherson with triangular arm		
	Rear suspension type	Flexible axle with programmed deflection and coil springs		
WHEELS / TYRES	Wheel size	6J15	6J15	6J15
	Tyre specification	185 / 65 / R15	185 / 65 / R15	185 / 65 / R15
BRAKING	Front: - diameter (mm) / thickness (mm)	258 / 22	258 / 22	258 / 22
	Rear: - diameter (inches)	8	8	8
	Anti-lock Braking System (ABS)	Standard	Standard	Standard
	Electronic Brakeforce Distribution (EBD)	Standard	Standard	Standard
	Emergency Brake Assist (EBA)	Standard	Standard	Standard
	ESC (Electronic Stability Control)	Standard	Standard	Standard
	Fuel tank capacity (litres)	50	50	50
FUEL TANK CAPACITY	Kerb Weight (Excluding Driver) (kg)	1,016	1,038	1,090
	Unladen weight on front axle (kg)	569	594	649
	Unladen weight on rear axle (kg)	447	444	441
	Gross vehicle weight (kg)	1,570	1,620	1,670
	Gross train weight (kg)	2,380	2,430	2,480
WEIGHT	Max payload (kg)	554	582	580
	Max braked trailer (within gross train weight limit) (kg)	1,150	1,150	1,150
TOWING CAPACITY	Max unbraked trailer (kg)	545	555	580

Dimensions



EXTERIOR DIMENSIONS (mm)	
A - Wheelbase	2,634
B - Overall bodywork length	4,492
C - Front overhang	813
D - Rear overhang	1,046
E - Front track	1,493
F - Rear track	1,476
G - Ground clearance	142
H - Unladen height with / without roof bars	1,550 / 1,519
H1 - Unladen sill height	589
H2 - Rear tailgate height	784
Unladen height with hatchback open	1,919
J1 - Front shoulder width	1,387
J2 - Rear shoulder width	1,389
K - Rear knee room	177
L1 - Overall width without door mirrors	1,733
L2 - Overall width with door mirrors	1,994
L3 - Interior width between wheel arches	997
M1 - Distance between hip joint and ceiling in front seats	900
M2 - Distance between hip joint and ceiling in rear seats	886
O1 - Front elbow room	1,415
O2 - Rear elbow room	1,432
Y1 - Loading length, rear seats in place	1,054
Height beneath parcel shelf	481
BOOT VOLUME	
Maximum boot capacity with rear seats in place (litres)	573
Maximum load capacity with rear seats folded down (litres)	1,518



* Official Fuel consumption figures are produced for comparison purpose and are measured according to the European Directive 80/1268/EEC. These figures are specific for a vehicle type and not for a single car. Real world fuel (actual) consumption can vary as the fuel efficiency of a vehicle is influenced by driving behaviour, weather and road conditions. The use of technical equipment for example air conditioning, can also effect the fuel consumption. For further information, please visit the Vehicle Certification Agency web site www.vca.gov.uk.