

VOLVO POLICE CARS



 **VOLVO**
SPECIAL VEHICLES

VOLVO POLICE CARS

Volvo began building cars in 1927, and from the very early days established a strong working relationship with the Police Force.

Sixty years later this relationship has developed to the extent that the Swedish Police now have a special representative attached to Volvo. His invaluable function is to liaise between end user and manufacturer, and to participate in product development, research and testing.

This tradition of close cooperation with the Police has given Volvo unique experience in constructing cars that more than meet the exacting demands the Police and Emergency Services place on handling characteristics, reliability, operating economy and performance.





POLICE

POLICE

TURBO

POLICE

740

POLICE
ACCIDENT

VOLVO POLICE CARS



Specialist Lighting by courtesy of Hella, Banbury, Oxon and
Woodway Engineering Ltd., Shilton, Warwickshire.
Police Livery by courtesy of Stewart Signs Ltd., Chandler's Ford, Hampshire.
Please note incident depicted was simulated under Fire Brigade supervision.

 **VOLVO**
SPECIAL VEHICLES

Technical Specification



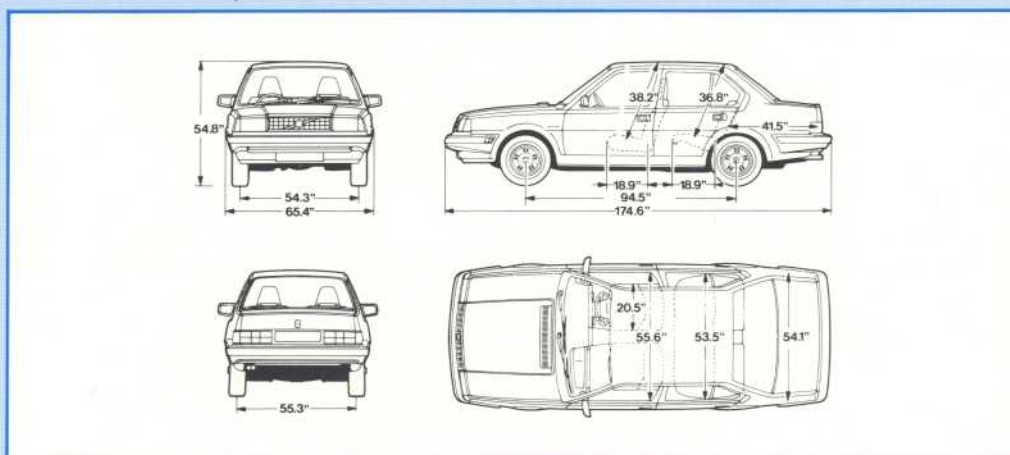
POLICE SPECIFICATION 364 GLE i

TECHNICAL SPECIFICATION

| | |
|--------------------------------|------------------|
| Body Variant | Four Door Saloon |
| Engine Designation | B200 E |
| Number of Cylinders | 4 |
| Engine Capacity | 1986 cc |
| Max Output ECE hp/rpm | 113/5700 |
| Max Torque ECE Nm/rpm | 159/4200 |
| Compression Ratio | 9:2:1 |
| Fuel System | Injection |
| Fuel Octane Rating | 96-98 |
| Five Speed Manual Transmission | M 47 R |
| Battery Capacity | 12v/55Ah |
| Alternator Rating | 770W/55A |
| Rack & Pinion Steering | |
| Turning Circle Diameter | 30'8" / 9.35m |
| Fuel Tank Capacity | 12.5 Gal/57 Ltr |
| Kerb Weight | 1097 (kg) |
| Michelin Tyres | (175/70 R 13 T) |

EQUIPMENT

Tinted Glass
 Fog Lights Front & Rear
 Halogen Headlights
 Two Internally Adjustable Door Mirrors
 Heated Rear Window
 Headlamp Wipers & Washers
 Lumbar Support
 Inertia Real Seatbelts Front & Rear
 Centre Lap Belt
 Dual Circuit Brakes
 Intermittent Wiper/Automatic Wipe/Wash
 Rev Counter & Quartz Clock
 Open Front Head Restraints
 Exterior Colour White
 Blue Trico Plush/Vinyl Seats
 Steel Road Wheels



In the interests of continuing product development, the factory reserve the right to make changes at any time, without notice, to prices, colours, material, equipment or specifications and also to discontinue models.

Technical Specification



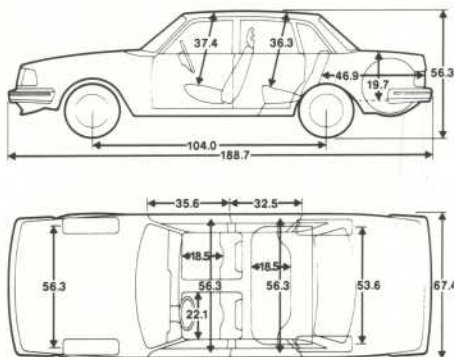
POLICE SPECIFICATION 244 GLT

TECHNICAL SPECIFICATION

| | |
|--------------------------------|------------------|
| Body Variant | Four Door Saloon |
| Engine Designation | B230 E |
| Number of Cylinders | 4 |
| Engine Capacity | 2316 cc |
| Max Output ECE hp/rpm | 133/5400 |
| Max Torque ECE kpm/rpm | 19.4/3300 |
| Compression Ratio | 10.3:1 |
| Fuel System | Injection |
| Fuel Octane Rating | 95-98 |
| Five Speed Manual Transmission | M 47 R |
| Battery Capacity | 12v/70Ah |
| Alternator Rating | 70A |
| Rack & Pinion Steering | Power Assisted |
| Turning Circle Diameter | 32'2"/9.8m |
| Fuel Tank Capacity | 60 Litres |
| Gross Weight | 1780 (kg) |
| Michelin Tyres | 185/70 R14 MXV |
| Steel Road Wheels | 5.5" x 14 |

EQUIPMENT

Tinted Glass
Rear Fog Lights
Halogen Headlights
Two Internally Adjustable Door Mirrors
Heated Rear Window
Headlamp Wipers & Washers
Lumbar Support & Seat Height Adjustments
Inertia Real Seatbelts Front & Rear
Centre Lap Belt
2 Speed Plus Intermittent Wiper
Electric Washers
Rev Counter & Quartz Clock
Power Assisted Disc Brakes All Round
Dual Circuit Brakes
High Mounted Rear Brake Lights
Brake Failure/Bulb Failure Warning Lights
Open Front Head Restraints
Exterior Colour White
Blue Plush/Vinyl Seats



In the interests of continuing product development, the factory reserve the right to make changes at any time, without notice, to prices, colours, material, equipment or specifications and also to discontinue models.

Technical Specification



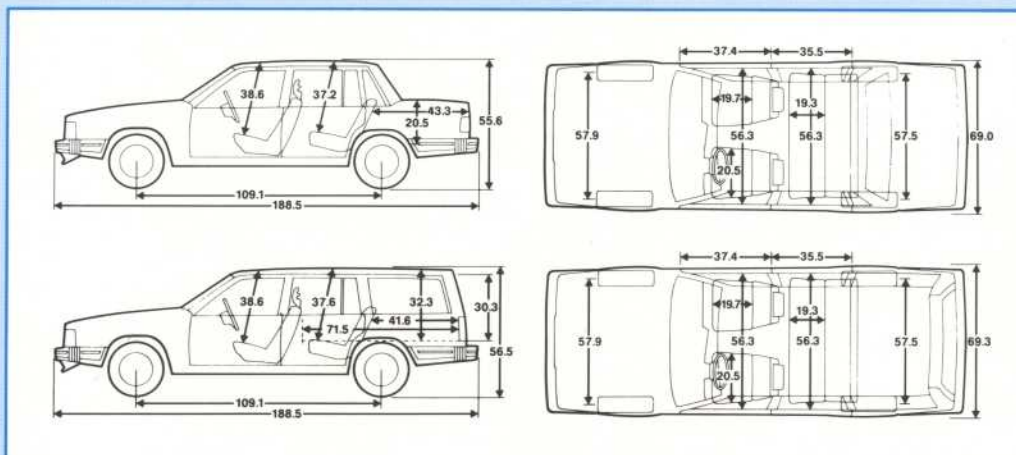
POLICE SPECIFICATION 740 TURBO

TECHNICAL SPECIFICATION

| | |
|--|---------------------------------|
| Body Variants | 4 Door Saloon/ 5 Door Estate |
| Engine Designation | B230 ET |
| Number of Cylinders | 4 |
| Engine Capacity | 2316 cc |
| Max Output ECE hp/rpm | 182/5800 |
| Max Torque ECE kpm/rpm | 26.5/3400 |
| Compression Ratio | 9.0:1 |
| Fuel System | Electronic Injection |
| Fuel Octane Rating | 98 |
| Four Speed Manual Transmission | Plus Overdrive |
| Battery Capacity | 12v/85Ah |
| Alternator Rating | 90A |
| Rack & Pinion Steering | Power Assisted |
| Turning Circle Diameter | 32'6"/9.9m |
| Fuel Tank Capacity | 60 Litres |
| Heavy Duty Rear Springs | |
| Nivomat Self Levelling Rear Suspension | |
| Michelin Tyres | 195/60 — 15 |
| Steel Road Wheels | 5.5" x 15 |

EQUIPMENT

Tinted Glass
Rear Fog Lamps
Halogen Headlights
Front Fog Lights In Spoiler
Two Internally Adjustable Door Mirrors
Heated Rear Window
Headlamp Wipers & Washers
Lumbar Support & Seat Height Adjustment
Inertia Real Seat Belts Front & Rear
Centre Lap Belt
2 Speed Plus Intermittent Wipers
Electric Washers
Rev Counter & Quartz Clock
Power Assisted Disc Brakes All Round
Dual Circuit Brakes
High Mounted Rear Brake Lights
Brake Failure/Bulb Failure Warning Lights
Open Front Head Restraints
Exterior Colour White
Blue Velour/Vinyl Seats



In the interests of continuing product development, the factory reserve the right to make changes at any time, without notice, to prices, colours, material, equipment or specifications and also to discontinue models.