

The new Tiguan

Some illustrations in this brochure do not necessarily reflect UK specifications and may not be available. In particular, controls and some items of equipment are positioned differently for the UK. The specifications contained in this brochure are for information purposes only and are subject to change. If you require any specific feature, you must consult your authorised Volkswagen retailer who is regularly updated with any change in specification. Please check model availability and full specification details with your authorised Volkswagen retailer prior to ordering.



**The city is challenging
you. Do you accept?**

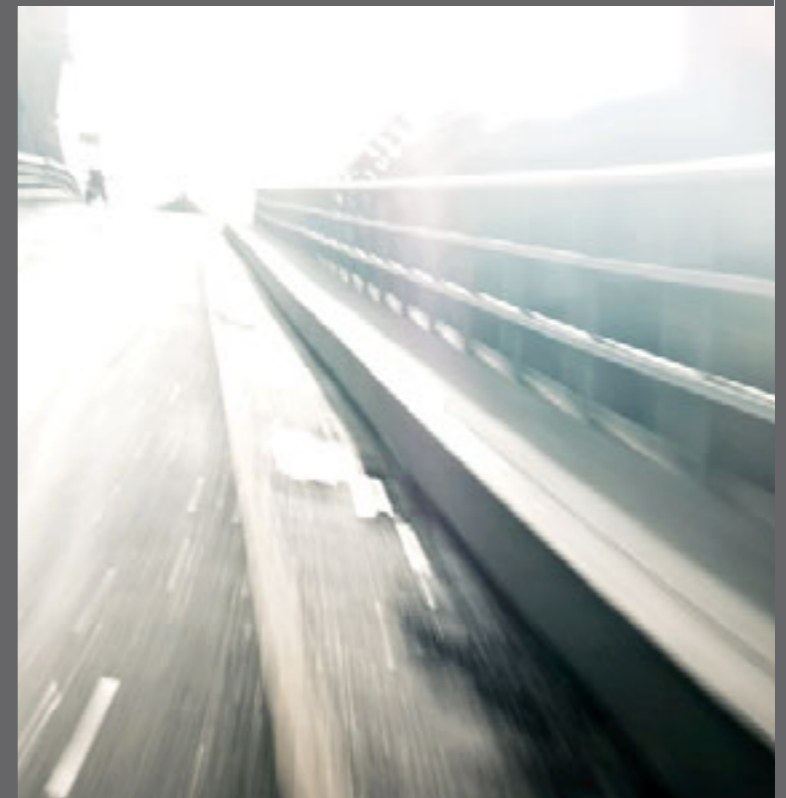


Model shown is new Tiguan Escape.



Model shown is new Tiguan Sport with optional DVD touch-screen navigation/radio system and pearl effect paint.

Perfectly adapted
to city life.



The design.

Powerful, elegant and designed to perform, the new Tiguan offers a range of features that enhance its superior aesthetics. A body-coloured front bumper, door handles and door mirrors with integrated indicators, along with 16 inch 'Cairo' alloy wheels and black roof rails give the new Tiguan S a stylish edge. The new Tiguan SE model features 17 inch 'Sahara' alloy wheels while 18 inch 'Sierra' adorn the Sport. Both the SE and the Sport's exterior are finished with tinted glass from the B pillar back, chrome side window surrounds, chrome trimmed radiator grille surround and louvres and chrome-plated roof rails. For a different look to your new Tiguan, the Escape's exterior is complemented by 17 inch 'Tunis' alloy wheels and a restyled front end and underbody protection, not only offering a more rugged design, but with its 28° angle of approach it is also a capable off-roader.

Hill starting can be a simple matter, even if you're towing a heavy load, thanks to the electronic parking brake with auto hold function. Fitted as standard, this useful feature holds your new Tiguan in position at the touch of a button, and is released only when you apply the accelerator. It is technologically advanced equipment such as this that makes life so easy and driving the new Tiguan such a pleasure. Why worry when it's all taken care of for you?

The new Tiguan offers exceptional driving enjoyment too, with the optional panoramic electric glass sliding sunroof providing an extra dimension of light and space. Offering an uninterrupted view of the sky above, it enables you to enjoy the freedom and fresh air previously experienced only in a convertible. And if it gets too hot or cold, you can simply close the sunroof at the touch of a button, yet still enjoy an unrestricted view above, thanks to its more than generous proportions. Optional Bi-Xenon headlights not only look stylish, but also help you drive more safely. Featuring dynamic curve lighting, they illuminate corners as you turn, giving a much clearer view of the road ahead. It's extra touches such as these that ensure you really get the most out of life.



Optional Bi-Xenon headlights feature dynamic curve lighting, illuminating corners as you turn. This reduces blind spots, provides clearer vision and helps you drive more safely.

SE and Sport models feature tinted glass from the B pillar back, chrome side window surrounds and chrome-plated roof rails. Model shown features optional panoramic electric glass sliding sunroof and DVD touch-screen navigation/radio system.



The optional panoramic electric glass sliding sunroof is three times the size of a standard sunroof, introducing a new dimension of light and space, while an integrated electric sunblind offers optimum protection against heat and light.

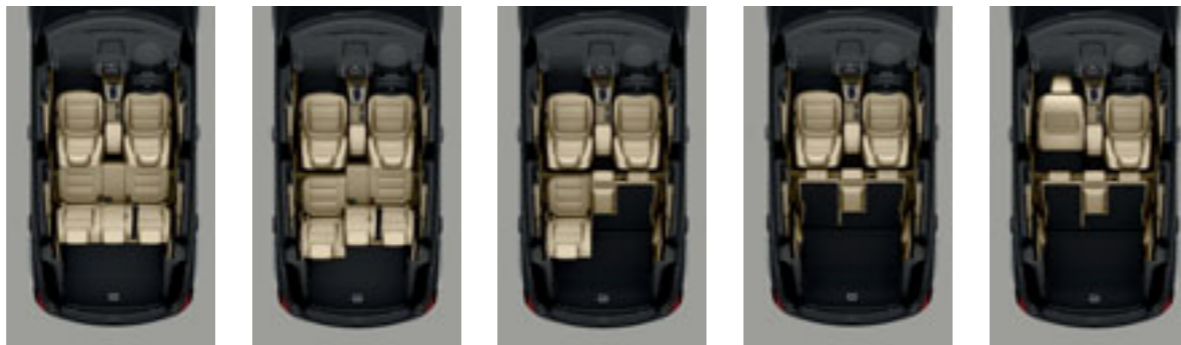




Interior shown is new Tiguan Sport.

With its high quality materials, attention to detail and sporty design, you cannot fail to be impressed by the sheer elegance of the new Tiguan's interior.

The variable seat system offers you total flexibility: the rear seat is divided 60:40, slides forwards or backwards and can be folded almost flat to provide maximum stowage space, while on SE, Sport and Escape models, the front passenger seat also folds down should you need to transport longer items.



The interior.

If you've been impressed by the exterior of the new Tiguan, you'll find the interior nothing short of amazing. In fact, its compact dimensions hide an exceptionally spacious interior. The highest quality materials, a clearly defined sense of style and an ergonomic design ensure optimum levels of comfort, refinement and flexibility.

Depending on the trim level you select, the seats are upholstered in a stylish and durable fabric and everything is where you would intuitively expect it to be. Functionality continues in the amount of storage space available, which you'll find concealed in the roof console, doors and in the luggage compartment, as well as beneath the front seats on SE, Sport and Escape. The rear seats are asymmetrically split and slide and recline independently, enabling you to increase rear legroom or create just the stowage space you require, and on all models except the S, the front passenger seat backrest also folds down giving you plenty of room for transporting bulky items.

Comfort and convenience are evident all around, with 'Climatic' semi-automatic air conditioning that even cools the glovebox, a radio/MP3 compatible CD player with eight speakers complete with AUX-in socket for connection to external multimedia source e.g. iPod and USB. The list continues with two cup holders in the front and two in the rear when the load-through provision is folded down. There are illuminated vanity mirrors, two reading lights in the front and a luggage compartment that is also illuminated to make loading and unloading after dark that little bit easier. So whether you're looking to transport friends, kids, luggage or otherwise, you'll find all the space you could ask for in the new Tiguan. Giving you all the freedom you need.



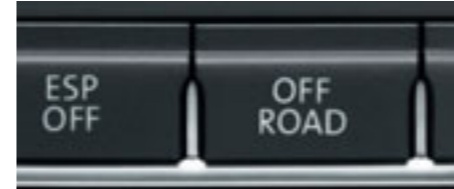
Model shown is new Tiguan Escape.

**It's good to know
your limits. But it's
better not to have any.**

**Master of the
urban landscape.**

The off-road design for the new Tiguan Escape features a front end offering a 28° angle of approach and engine underbody protection, emphasising the Tiguan's off-road character and capability in overcoming large and small obstacles.

The on-road design on the new Tiguan S, SE and Sport models feature a distinctive front end with an extra-low front skirt, giving it an elegant and sporty appearance, and an 18° angle of approach.



The off-road mode, standard on new Tiguan Escape and optional on all other models, includes hill descent assist and ABS adjusted to suit loose ground, enabling the Tiguan to manage difficult terrain at the press of a button.

The trim levels.

Flexible, powerful and stylish, the new Tiguan has everything you need to meet the challenges of everyday life. The new Tiguan S offers an impressive range of standard equipment, including 'Climatic' semi-automatic air conditioning, front and rear electric windows, electrically heated and adjustable door mirrors and remote central locking. Its versatility is second to none, with sliding and reclining rear seats allowing increased boot capacity or additional rear legroom and a whole host of practical storage areas. For additional comfort, the new Tiguan SE features a leather trimmed three-spoke steering wheel, gear knob and handbrake grip, front comfort seats with height and lumbar adjustment and an RCD 510 touch-screen radio/dash-mounted MP3 compatible six CD autochanger and eight speakers and AUX-in socket for connection to external multimedia source e.g. iPod and USB. Useful extras include folding tables on the back of the front seats and a front passenger seat backrest that folds flat to aid transporting long items.

Dynamic and sporty, the new Tiguan Sport features 18 inch 'Sierra' alloy wheels, sports suspension (not lowered), front fog lights and front sports seats, and includes an automatic coming/leaving home lighting function, rain sensor and automatically dimming interior rear-view mirror. The new Tiguan S, SE and Sport models feature an elegant design with a distinctive front end offering an 18° angle of approach.

With its underbody protection and 28° angle of approach allowing steep angles to be easily overcome, the new Tiguan Escape is ideal for those looking to explore off the beaten track. With a compass to guide you, performance is enhanced by the off-road mode which includes hill descent assist.

Whichever model you choose, the chrome trimmed radiator grille surround, distinctive headlights and integrated rear light clusters provide unmistakable Volkswagen styling. If you're looking for the safety, stability and high-ride position of an SUV, combined with the versatility to suit an active lifestyle, you'll find them all in the new Tiguan. What more could you want?



The optional equipment.

Available as an option, the new Tiguan features Volkswagen's latest generation touch-screen navigation/radio system. This new DVD based navigation unit not only delivers perfect sound quality but it can also guide you to your destination. A 6½" high resolution, touch-screen colour display shows a perspective (birds-eye) view of your mapped route, in addition, landmarks, intersection zoom, points of interest and a route list can all be viewed in split screen mode. As well as featuring the latest in processor technology, resulting in quick route calculations this sophisticated system features a 30 GB hard drive to buffer the navigation data as well as store the driver's favourite audio and video files (i.e. MP3, WMA, DVD video data files), the integrated DVD drive and SD (Secure Digital) card reader also allow the playback of such audio and video files when the vehicle is stationary. Completing the multimedia experience is the ability to connect an external multimedia device (e.g. iPod and USB) via the AUX-in socket. This option also includes a rear-view camera which allows you to judge distances and view obstacles obscured from view behind your vehicle via the high resolution screen of the DVD navigation/radio system. For hours of uninterrupted listening pleasure you can also specify an armrest-mounted six CD autochanger. DVD touch-screen satellite navigation systems may not be available in conjunction with certain options, please consult your Volkswagen retailer for full details.

Anyone who regularly faces the challenges of city driving doesn't want to get distracted by minor detail. Which is why the new Tiguan offers such an extensive range of optional equipment, all designed to take the hassle out of life. Take 'Park assist', for example, a parallel parking guidance system that was made for the city. When considering a parking space, simply drive past the space at up to 19 mph, press the Park assist button whilst indicating, this will allow the system to detect which side of the road you wish to park on. Ultrasonic sensors detect if the space is sufficient to park in as you drive past, if so, it notifies you via the multifunction display. Stop, and as soon as you engage reverse gear, the assistant automatically steers you into the space. Parking sensors then give an acoustic warning should you get too close to the vehicle behind – all you have to do is use the clutch, brake and accelerator. Parallel parking in the city has never been so easy.



The optional 'Park assist' system helps you parallel park with the greatest of ease. While driving past with the appropriate indicator on, at speeds up to 19 mph, ultrasonic sensors detect a suitable parking space and you will be informed via the multifunction display. As you select reverse gear, the parking guidance assistant automatically takes over the steering, you use the clutch, brake and accelerator to ease into the parking space.

The rear-view camera, part of the optional DVD touch-screen navigation/radio system, provides additional help by displaying a clear view of the area behind your vehicle via the high resolution screen of the DVD navigation/radio system.



Paint.

Upholstery.

	Non-Metallic paint* 	Candy White B4 	Indian Blue F3 	'Metropolis' cloth  Standard on S	Black AK 			
Metallic paint* 	Wild Cherry Red 2K 	Catalania Blue 4R 	Silver Leaf 7B 	'Energy' cloth  Standard on SE and Escape	Black GE 	Latte GJ 		
	Reflex Silver 8E 	Shadow Blue P6 	Mountain Grey Z3 	'Visible' cloth  Standard on Sport	Black/Black JD 	Black/Grey JF 	Blue/Black JG 	
	Pearl Effect paint* 	Deep Black 2T 	Biscay Blue 7Q 	'Vienna' leather* †  Optional on all models	Black TW 	Cornsilk Beige YY 		

* Metallic, pearl effect paints and leather upholstery are optional at extra cost.

† Some parts of leather interior will contain artificial leather.

Please note: Screen technology does not allow exact reproduction of the paint colours. For further details, please contact your Volkswagen retailer.

Combinations.

	Seat upholstery	Carpet	Dashboard	Candy White (B4)	Indian Blue (F3)	Wild Cherry Red Metallic (2K) *	Catalania Blue Metallic (4R) *	Silver Leaf Metallic (7B) *	Reflex Silver Metallic (8E) *	Shadow Blue Metallic (P6) *	Mountain Grey Metallic (Z3) *	Deep Black Pearl Effect (2T) *	Biscay Blue Pearl Effect (7Q) *
'Metropolis' cloth Standard on S	Black (AK)	Black	Black/Black	●	●	●	●	●	●	●	●	●	●
'Energy' cloth Standard on SE and Escape	Black (GE)	Black	Black/Black	●	●	●	●	●	●	●	●	●	●
	Latte (GJ)	Black	Black/Latte	-	●	●	-	-	-	●	●	●	●
'Visible' cloth Standard on Sport	Black/Black (JD)	Black	Black/Black	●	●	●	●	●	●	●	●	●	●
	Black/Grey (JF)	Black	Black/Black	●	●	●	●	-	●	●	●	●	●
	Blue/Black (JG)	Black	Black/Black	-	●	-	●	-	-	●	-	●	●
'Vienna' leather * † Optional on all models	Black (TW)	Black	Black/Black	○	○	○	○	○	○	○	○	○	○
	Cornsilk Beige (YY)	Black	Black/Cornsilk Beige	-	○	○	○	-	-	○	○	○	○

* Metallic and pearl effect paints and leather upholstery are optional at extra cost.
 † Some parts of leather interior will contain artificial leather.

● Standard.
 ○ Optional at extra cost.
 - Not available.

The engines.



There is no holding back the new Tiguan. Two dynamic engines transmit optimum power, assisted by the sporty six speed manual or on diesel models, the option of a modern six speed automatic transmission. Combined with Volkswagen's 4MOTION four wheel drive system, it's enough to get your pulse racing and your adrenalin flowing on every journey.

Thanks to TSI technology, the 1.4 litre petrol engine generates an impressive 150 PS and has excellent pulling power. With 240 Nm of torque, it delivers uncompromising driving enjoyment, even on short stretches. The 2.0 litre TDI engine offers everything you would expect from a diesel and more, with common rail injection making it powerful, economical and quiet. Delivering a very healthy 140 PS and a massive 320 Nm torque, it is also fitted as standard with a Diesel Particulate Filter (DPF), which filters out exhaust gas particles, thus stopping them entering the atmosphere.

Powerful, economical and clean, these are two engines that let you enjoy life with a clear conscience. Now, there's nothing to stop you putting your foot down and really taking off.

The new Tiguan will also be available with three further engines, one diesel and two petrol. A 2.0 litre TDI diesel engine with common rail injection will produce 170 PS, while the next petrol engine, a 2.0 litre TSI, will also generate 170 PS. The most powerful engine for the new Tiguan will be the turbocharged 2.0 litre TSI petrol engine offering an exhilarating 200 PS. These three engines will all be available in the summer of 2008.



S, SE – 1.4 litre TSI 4MOTION 150 PS.

Technical specification.

		Manual	
Engine	Engine type	Four cylinder petrol	
	Cubic capacity, ltrs/cc	1.4/1390	
	Max. output, PS ⁽⁰¹⁾ /kW at rpm	150/110 5800	
	Max. torque, lbs.ft/Nm at rpm	177/240 1750-4000	
	Gearbox	Six speed manual	
Weights, kgs	Unladen weight ⁽⁰²⁾	1546	
	Gross vehicle weight	2170	
	Payload ⁽⁰²⁾	624	
	Axle load limit: Front Rear	1120 1100	
Trailer load limits, kgs ⁽⁰³⁾	Braked 12% incline	2000	
	Unbraked	750	
	Towbar load limit	TBA	
	Max. roof load	100	
Performance	Top speed (where law permits), mph (km/h)	119 (192)	
	Acceleration, secs 0 - 62 mph	9.3	
	ABI insurance group	9	
Environmental information	Fuel grade, minimum	Unleaded, 95 RON ⁽⁰⁴⁾	
	Fuel tank capacity, galls/ltrs	TBA	
	Official fuel consumption, mpg/ltr per 100 km ⁽⁰⁶⁾		
	Urban	26.6/10.6	
	Extra-urban	40.4/7.0	
	Combined	33.6/8.4	
	Official CO ₂ emission, g/km ⁽⁰⁷⁾	199	
	Emission class	EURO 4	
Noise, dB (Escape)	74.0		

Notes.

- 01) The maximum power output figures are quoted in PS (or Pferdestärke, which is the metric equivalent of horsepower). To convert from metric to imperial horsepower, divide the PS figure by 1.0139.
- 02) Figures are calculated in accordance with manufacturer's criteria. Vehicle unladen weight ranges with 90% tank capacity without driver. The individual unladen weight depends on the specification of the vehicle, this then reduces the possible payload accordingly.
- 03) With increasing altitude the engine performance diminishes. From 1,000 m above sea level and for every 1,000 m thereafter 10% of the vehicle/trailer weight (trailer weight + gross vehicle weight) must be deducted.
- 04) Thanks to the knock control, unleaded four star (at least 95 RON) can be used instead of Super plus unleaded. In order to achieve maximum fuel consumption benefits on the TSI engine, Ultra Low Sulphur Petrol (ULSP) must be used.
- 05) The use of RME and FAME (bio diesel) is not possible.
- 06) Official fuel consumption according to EU Directive 99/94. The consumption calculation according to 1999/100/EC is based on the actual unladen weight of the vehicle. Additional specifications can lead to a higher weight class and hence to consumption figures of this higher weight class. The driving style, road and traffic conditions, environmental influences and vehicle condition can in practice lead to consumption figures, which may differ from those calculated with this standard.
- 07) Increased weight of a vehicle, including higher trim levels and the addition of options will have a detrimental influence on the level of fuel consumption and CO₂ emissions produced. The CO₂ and fuel consumption figures are obtained from tests on a representative vehicle of the type, conducted and approved in accordance with Council Directive 80/1268/EEC as amended by Directive 1999/100/EC (or later) on the approximation of the laws of the member states relating to the carbon dioxide emissions and the fuel consumption of motor vehicles.

SE – 2.0 litre TSI 4MOTION 170 PS.†

Technical specification.

		Manual	Automatic
Engine	Engine type	Four cylinder petrol	Four cylinder petrol
	Cubic capacity, ltrs/cc	2.0/1968	2.0/1968
	Max. output, PS ⁽⁰¹⁾ /kW at rpm	170/125	170/125
	Max. torque, lbs.ft/Nm at rpm	TBA	TBA
	Gearbox	Six speed manual	Six speed auto tiptronic
Weights, kgs	Unladen weight ⁽⁰²⁾	TBA	TBA
	Gross vehicle weight	TBA	TBA
	Payload ⁽⁰²⁾	TBA	TBA
	Axle load limit: Front Rear	TBA TBA	TBA TBA
Trailer load limits, kgs ⁽⁰³⁾	Braked 12% incline	TBA	TBA
	Unbraked	TBA	TBA
	Towbar load limit	TBA	TBA
	Max. roof load	TBA	TBA
Performance	Top speed (where law permits), mph (km/h)	TBA	TBA
	Acceleration, secs 0 - 62 mph	TBA	TBA
	ABI insurance group	TBA	TBA
Environmental information	Fuel grade, minimum	Unleaded, 95 RON ⁽⁰⁴⁾	Unleaded, 95 RON ⁽⁰⁴⁾
	Fuel tank capacity, galls/ltrs	TBA	TBA
	Official fuel consumption, mpg/ltr per 100 km ⁽⁰⁶⁾		
	Urban	TBA	TBA
	Extra-urban	TBA	TBA
	Combined	TBA	TBA
	Official CO ₂ emission, g/km ⁽⁰⁷⁾	213†	237†
	Emission class	TBA	TBA
Noise, dB (Escape)	TBA	TBA	

Notes.

- 01) The maximum power output figures are quoted in PS (or Pferdestärke, which is the metric equivalent of horsepower). To convert from metric to imperial horsepower, divide the PS figure by 1.0139.
- 02) Figures are calculated in accordance with manufacturer's criteria. Vehicle unladen weight ranges with 90% tank capacity without driver. The individual unladen weight depends on the specification of the vehicle, this then reduces the possible payload accordingly.
- 03) With increasing altitude the engine performance diminishes. From 1,000 m above sea level and for every 1,000 m thereafter 10% of the vehicle/trailer weight (trailer weight + gross vehicle weight) must be deducted.
- 04) Thanks to the knock control, unleaded four star (at least 95 RON) can be used instead of Super plus unleaded. In order to achieve maximum fuel consumption benefits on the TSI engine, Ultra Low Sulphur Petrol (ULSP) must be used.
- 05) The use of RME and FAME (bio diesel) is not possible.
- 06) Official fuel consumption according to EU Directive 99/94. The consumption calculation according to 1999/100/EC is based on the actual unladen weight of the vehicle. Additional specifications can lead to a higher weight class and hence to consumption figures of this higher weight class. The driving style, road and traffic conditions, environmental influences and vehicle condition can in practice lead to consumption figures, which may differ from those calculated with this standard.
- 07) Increased weight of a vehicle, including higher trim levels and the addition of options will have a detrimental influence on the level of fuel consumption and CO₂ emissions produced. The CO₂ and fuel consumption figures are obtained from tests on a representative vehicle of the type, conducted and approved in accordance with Council Directive 80/1268/EEC as amended by Directive 1999/100/EC (or later) on the approximation of the laws of the member states relating to the carbon dioxide emissions and the fuel consumption of motor vehicles.

† These models will be available from summer 2008. Consequently, all figures quoted are provisional and are yet to be confirmed. A change in some figures may result in a change to the Manufacturer's Recommended 'On the road' Retail price. Please contact your Volkswagen retailer for full details.

Sport – 2.0 litre TSI 4MOTION 200 PS.†

Technical specification.

		Manual	Automatic
Engine	Engine type	Four cylinder petrol	Four cylinder petrol
	Cubic capacity, ltrs/cc	2.0/1968	2.0/1968
	Max. output, PS ⁽⁰¹⁾ /kW at rpm	200/147	200/147
	Max. torque, lbs.ft./Nm at rpm	TBA	TBA
	Gearbox	Six speed manual	Six speed auto tiptronic
Weights, kgs	Unladen weight ⁽⁰²⁾	TBA	TBA
	Gross vehicle weight	TBA	TBA
	Payload ⁽⁰²⁾	TBA	TBA
	Axle load limit: Front Rear	TBA TBA	TBA TBA
Trailer load limits, kgs ⁽⁰³⁾	Braked 12% incline	TBA	TBA
	Unbraked	TBA	TBA
	Towbar load limit	TBA	TBA
	Max. roof load	TBA	TBA
Performance	Top speed (where law permits), mph (km/h)	TBA	TBA
	Acceleration, secs 0 - 62 mph	TBA	TBA
	ABI insurance group	TBA	TBA
Environmental information	Fuel grade, minimum	Unleaded, 95 RON ⁽⁰⁴⁾	Unleaded, 95 RON ⁽⁰⁴⁾
	Fuel tank capacity, galls/ltrs	TBA	TBA
	Official fuel consumption, mpg/ltr per 100 km ⁽⁰⁶⁾		
	Urban	TBA	TBA
	Extra-urban	TBA	TBA
	Combined	TBA	TBA
	Official CO ₂ emission, g/km ⁽⁰⁷⁾	213†	237†
	Emission class	TBA	TBA
Noise, dB (Escape)	TBA	TBA	

Notes.

- 01) The maximum power output figures are quoted in PS (or Pferdestärke, which is the metric equivalent of horsepower). To convert from metric to imperial horsepower, divide the PS figure by 1.0139.
- 02) Figures are calculated in accordance with manufacturer's criteria. Vehicle unladen weight ranges with 90% tank capacity without driver. The individual unladen weight depends on the specification of the vehicle, this then reduces the possible payload accordingly.
- 03) With increasing altitude the engine performance diminishes. From 1,000 m above sea level and for every 1,000 m thereafter 10% of the vehicle/trailer weight (trailer weight + gross vehicle weight) must be deducted.
- 04) Thanks to the knock control, unleaded four star (at least 95 RON) can be used instead of Super plus unleaded. In order to achieve maximum fuel consumption benefits on the TSI engine, Ultra Low Sulphur Petrol (ULSP) must be used.
- 05) The use of RME and FAME (bio diesel) is not possible.
- 06) Official fuel consumption according to EU Directive 99/94. The consumption calculation according to 1999/100/EC is based on the actual unladen weight of the vehicle. Additional specifications can lead to a higher weight class and hence to consumption figures of this higher weight class. The driving style, road and traffic conditions, environmental influences and vehicle condition can in practice lead to consumption figures, which may differ from those calculated with this standard.
- 07) Increased weight of a vehicle, including higher trim levels and the addition of options will have a detrimental influence on the level of fuel consumption and CO₂ emissions produced. The CO₂ and fuel consumption figures are obtained from tests on a representative vehicle of the type, conducted and approved in accordance with Council Directive 80/1268/EEC as amended by Directive 1999/100/EC (or later) on the approximation of the laws of the member states relating to the carbon dioxide emissions and the fuel consumption of motor vehicles.

† These models will be available from summer 2008. Consequently, all figures quoted are provisional and are yet to be confirmed. A change in some figures may result in a change to the Manufacturer's Recommended 'On the road' Retail price. Please contact your Volkswagen retailer for full details.

S, SE, Sport, Escape – 2.0 litre TDI 4MOTION 140 PS. Technical specification.

		Manual	Automatic
Engine	Engine type	Four cylinder diesel	Four cylinder diesel
	Cubic capacity, ltrs/cc	2.0/1968	2.0/1968
	Max. output, PS ⁽⁰¹⁾ /kW at rpm	140/103 4200	140/103 4200
	Max. torque, lbs.ft/Nm at rpm	236/320 1750-2500	236/320 1750-2500
	Gearbox	Six speed manual	Six speed auto tiptronic
Weights, kgs	Unladen weight ⁽⁰²⁾	1591	1604
	Gross vehicle weight	2240	2260
	Payload ⁽⁰²⁾	650	656
	Axle load limit: Front Rear	1160 1130	1180 1130
Trailer load limits, kgs ⁽⁰³⁾	Braked 12% incline (Escape)	2200 (2500)	2000 (2000)
	Unbraked (Escape)	750 (750)	750 (750)
	Towbar load limit	TBA	TBA
	Max. roof load	100	100
Performance	Top speed (where law permits), mph (km/h)	115 (185)	113 (182)
	Acceleration, secs 0 - 62 mph	10.5	10.7
	ABI insurance group	9	9
Environmental information	Fuel grade, minimum	Diesel ⁽⁰⁵⁾	Diesel ⁽⁰⁵⁾
	Fuel tank capacity, galls/ltrs	TBA	TBA
	Official fuel consumption, mpg/ltr per 100 km ⁽⁰⁶⁾		
	Urban	30.1/9.4	29.1/9.7
	Extra-urban	47.9/5.9	44.8/6.3
	Combined	39.2/7.2	37.7/7.5
	Official CO ₂ emission, g/km ⁽⁰⁷⁾	189	199
Emission class	EURO 5	EURO 5	
Noise, dB (Escape)	75.0 (76.0)	72.0 (72.0)	

Notes.

- 01) The maximum power output figures are quoted in PS (or Pferdestärke, which is the metric equivalent of horsepower). To convert from metric to imperial horsepower, divide the PS figure by 1.0139.
- 02) Figures are calculated in accordance with manufacturer's criteria. Vehicle unladen weight ranges with 90% tank capacity without driver. The individual unladen weight depends on the specification of the vehicle, this then reduces the possible payload accordingly.
- 03) With increasing altitude the engine performance diminishes. From 1,000 m above sea level and for every 1,000 m thereafter 10% of the vehicle/trailer weight (trailer weight + gross vehicle weight) must be deducted.
- 04) Thanks to the knock control, unleaded four star (at least 95 RON) can be used instead of Super plus unleaded. In order to achieve maximum fuel consumption benefits on the TSI engine, Ultra Low Sulphur Petrol (ULSP) must be used.
- 05) The use of RME and FAME (bio diesel) is not possible.
- 06) Official fuel consumption according to EU Directive 99/94. The consumption calculation according to 1999/100/EC is based on the actual unladen weight of the vehicle. Additional specifications can lead to a higher weight class and hence to consumption figures of this higher weight class. The driving style, road and traffic conditions, environmental influences and vehicle condition can in practice lead to consumption figures, which may differ from those calculated with this standard.
- 07) Increased weight of a vehicle, including higher trim levels and the addition of options will have a detrimental influence on the level of fuel consumption and CO₂ emissions produced. The CO₂ and fuel consumption figures are obtained from tests on a representative vehicle of the type, conducted and approved in accordance with Council Directive 80/1268/EEC as amended by Directive 1999/100/EC (or later) on the approximation of the laws of the member states relating to the carbon dioxide emissions and the fuel consumption of motor vehicles.

SE, Sport – 2.0 litre TDI 4MOTION 170 PS.†

Technical specification.

		Manual	
Engine	Engine type	Four cylinder Diesel	
	Cubic capacity, ltrs/cc	2.0/1968	
	Max. output, PS ⁽⁰¹⁾ /kW at rpm	170/125 TBA	
	Max. torque, lbs.ft/Nm at rpm	TBA TBA	
	Gearbox	Six speed manual	
Weights, kgs	Unladen weight ⁽⁰²⁾	TBA	
	Gross vehicle weight	TBA	
	Payload ⁽⁰²⁾	TBA	
	Axle load limit: Front Rear	TBA TBA	
Trailer load limits, kgs ⁽⁰³⁾	Braked 12% incline	TBA	
	Unbraked	TBA	
	Towbar load limit	TBA	
	Max. roof load	TBA	
Performance	Top speed (where law permits), mph (km/h)	TBA	
	Acceleration, secs 0 - 62 mph	TBA	
	ABI insurance group	TBA	
Environmental information	Fuel grade, minimum	Diesel ⁽⁰⁵⁾	
	Fuel tank capacity, galls/ltrs	TBA	
	Official fuel consumption, mpg/ltr per 100 km ⁽⁰⁶⁾		
	Urban	TBA	
	Extra-urban	TBA	
	Combined	TBA	
	Official CO ₂ emission, g/km ⁽⁰⁷⁾	186†	
Emission class	TBA		
Noise, dB (Escape)	TBA		

Notes.

- 01) The maximum power output figures are quoted in PS (or Pferdestärke, which is the metric equivalent of horsepower). To convert from metric to imperial horsepower, divide the PS figure by 1.0139.
- 02) Figures are calculated in accordance with manufacturer's criteria. Vehicle unladen weight ranges with 90% tank capacity without driver. The individual unladen weight depends on the specification of the vehicle, this then reduces the possible payload accordingly.
- 03) With increasing altitude the engine performance diminishes. From 1,000 m above sea level and for every 1,000 m thereafter 10% of the vehicle/trailer weight (trailer weight + gross vehicle weight) must be deducted.
- 04) Thanks to the knock control, unleaded four star (at least 95 RON) can be used instead of Super plus unleaded. In order to achieve maximum fuel consumption benefits on the TSI engine, Ultra Low Sulphur Petrol (ULSP) must be used.
- 05) The use of RME and FAME (bio diesel) is not possible.
- 06) Official fuel consumption according to EU Directive 99/94. The consumption calculation according to 1999/100/EC is based on the actual unladen weight of the vehicle. Additional specifications can lead to a higher weight class and hence to consumption figures of this higher weight class. The driving style, road and traffic conditions, environmental influences and vehicle condition can in practice lead to consumption figures, which may differ from those calculated with this standard.
- 07) Increased weight of a vehicle, including higher trim levels and the addition of options will have a detrimental influence on the level of fuel consumption and CO₂ emissions produced. The CO₂ and fuel consumption figures are obtained from tests on a representative vehicle of the type, conducted and approved in accordance with Council Directive 80/1268/EEC as amended by Directive 1999/100/EC (or later) on the approximation of the laws of the member states relating to the carbon dioxide emissions and the fuel consumption of motor vehicles.

† These models will be available from summer 2008. Consequently, all figures quoted are provisional and are yet to be confirmed. A change in some figures may result in a change to the Manufacturer's Recommended 'On the road' Retail price. Please contact your Volkswagen retailer for full details.

The technology.

Transmission

- Four wheel drive
- Six speed manual gearbox: all models
- Six speed auto tiptronic gearbox:
 - 2.0 litre TSI 4MOTION 170 PS, 2.0 litre TSI 4MOTION 200 PS, 2.0 litre TDI 4MOTION 140 PS

Steering

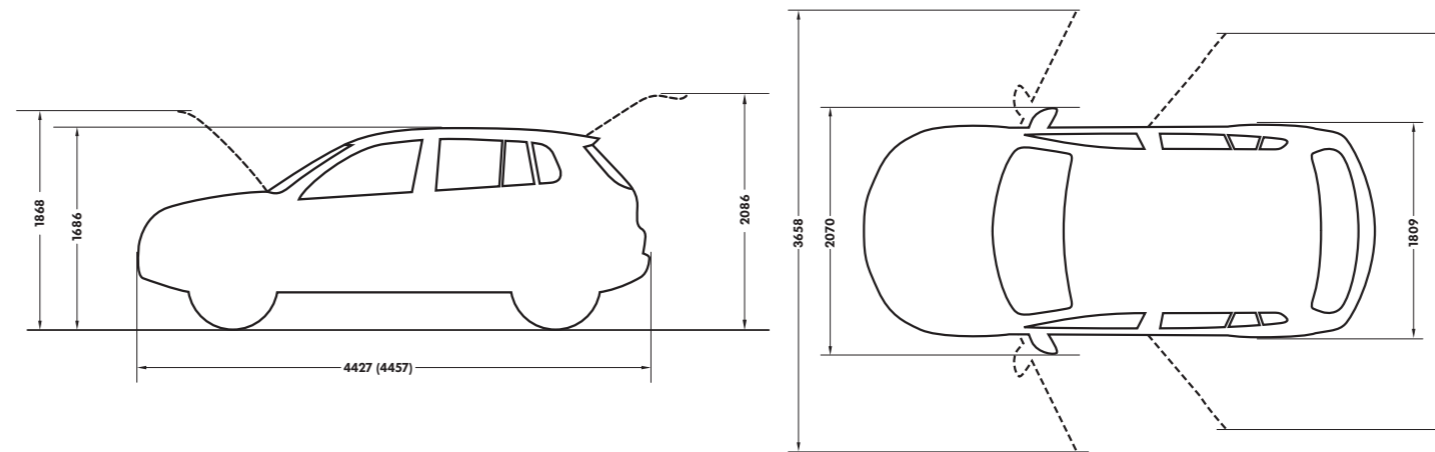
- Maintenance-free rack and pinion steering rack with speed related, electronically controlled servo assistance
- Height and reach adjustable and collapsible safety steering column

Running gear

- Front suspension: McPherson strut, one-piece aluminium subframe, decoupled spring and shock absorber mounting, anti-roll bar
- Rear suspension: multilink, anti-roll bar
- Electronic Stabilisation Programme (ESP) including Hydraulic Brake Assist (HBA), Electronic Differential Lock (EDL) and Traction Control (ASR)

Dimensions.

Exterior dimensions		
Length, mm (Escape)		4427 (4457)
Width – excluding door mirrors, mm		1809
Width – opened front/rear doors, mm		3658/3499
Height, mm		1686
Height – opened bonnet/floor, mm		1868
Height – opened tailgate/floor, mm		2086
Wheelbase, mm		2604



Engines

- Front transversely-mounted engine
- 1.4 litre/150 PS ⁽⁰¹⁾ (110 kW) petrol engine. TSI engine with dual-charging, EU4 emissions standard, double injection catalytic converter heating, turbocharger with waste gate, additional mechanical supercharger, intercooler, maintenance free timing chain, continuous inlet camshaft timing adjustment, grey cast iron cylinder block, steel crankshaft, duo-centric oil pump, dual-circuit cooling system, fuel system regulated according to requirements, high pressure fuel pump with a delivery pressure of up to 150 bar, four valves per cylinder. The 1.4 TSI engine is the first to use a combination of supercharger and turbocharger. That means the engine is charged by a supercharger in addition to the turbocharger depending on the torque requirements.
- 2.0 litre/170 PS ⁽⁰¹⁾ (125 kW) petrol engine: TBA
- 2.0 litre/200 PS ⁽⁰¹⁾ (147 kW) petrol engine: TBA
- 2.0 litre/140 PS ⁽⁰¹⁾ (103 kW) Common rail diesel engine. EU4 emissions standard (EU5 compliant), four cylinder in-line engine, four valves per cylinder, aluminium-silicon alloy cylinder head, toothed backlash compensator, intake manifold with electric continual tumble flap control, electronically controlled common rail direct injection system with Bosch high pressure pump (up to 1800 bar) and 8-hole piezo injector units, pre-supply electronic fuel pump, oil cooler, intercooler, exhaust gas recirculation, additional coolant pump, turbocharger with variable turbine geometry, catalytic converter and Diesel Particulate Filter (DPF)
- 2.0 litre/170 PS ⁽⁰¹⁾ (125 kW) diesel engine: TBA

⁰¹ The maximum power output figures are quoted in PS (or Pferdestärke, which is the metric equivalent of horsepower). To convert from metric to imperial horsepower, divide the PS figure by 1.0139.

Volkswagen service for your peace of mind.

The Volkswagen Warranty.

Three-year Warranty.

All Volkswagen new Tiguan come with a three-year/60,000 miles warranty, which protects your car against the failure of most mechanical and electrical components due to manufacturing defects. This comprises a two-year manufacturer's warranty with unlimited mileage plus a further one-year/60,000 miles (whichever is soonest) Retailer Warranty. Should the mileage exceed 60,000 miles within the first two years, the manufacturer's two-year warranty will still be valid. If an additional warranty for subsequent years or higher mileage is desired, it may be purchased from an authorised Volkswagen retailer or repairer; however, this additional warranty must be purchased before the mileage reaches 60,000*. Full details of the three-year warranty are available from your authorised Volkswagen retailer or repairer.

* All warranty work must be completed by an authorised Volkswagen retailer or repairer.

Three-year Paint Warranty.

The paintwork of the new Tiguan is covered against manufacturing defects for a period of three years. Naturally, the new Tiguan must be cared for in compliance with the operating instructions which will be found in your vehicle handbook. Please consult your authorised Volkswagen retailer or repairer for full warranty details.

12-year Body Protection Warranty.

The internal body sections and panels of the new Tiguan are covered against rusting through from the inside for 12 years. Naturally, the new Tiguan must be cared for in compliance with the operating instructions. Please consult your authorised Volkswagen retailer or repairer for full warranty details.

Service Intervals.

Volkswagen are pleased to offer you a choice on how your new Tiguan is serviced. The appropriate selection is entirely dependent on how the car is likely to be driven and its general use. To help you identify which type of service would be most suitable, please refer to the following guide.

The Time and Distance Service is recommended for vehicles that will cover less than 10,000 miles in 12 months and if the vehicle is likely to be used in the following way:

- Predominantly urban driving, short journeys with frequent cold starts.
- Activities regularly producing high engine loading, e.g. frequent hill climbs, driving with vehicle fully loaded and towing.
- Uneconomical driving style using high rpms with heavy acceleration and heavy braking.

The service intervals for the Time and Distance Service are as follows:

- Oil change service
Every 10,000 miles/1 year (whichever is soonest).
- Interval service
Every 20,000 miles/2 years (whichever is soonest).
- Interval service inspection
Every 40,000 miles/4 years (whichever is soonest).

The LongLife Service is recommended for vehicles with a daily mileage of more than 25 miles where the vehicle is driven regularly mainly on longer distance journeys. The vehicle is driven mainly at a constant speed with minimum vehicle and engine loading, minimal towing and driven in an economical manner.

With the LongLife Service the vehicle can cover anywhere between 10,000[†] and a maximum of 20,000[†] miles or 24 months (whichever is soonest).

[†] Please note that mileages are approximate as the service indicator system uses kilometres as the distance measurement. Please consult your authorised Volkswagen retailer or repairer for advice and full details.

Approved Accessories.

A comprehensive range of accessories from alloy wheels to carpet mats is available to complement the factory-fitted option list. Volkswagen Approved accessories purchased from and fitted by your authorised Volkswagen retailer at the point of vehicle sale will also benefit from the three-year vehicle warranty.

Extended Warranty.

You may purchase additional protection from your authorised Volkswagen retailer or repairer, or contact 0870 9000 115.

Volkswagen Finance[‡].

Volkswagen Finance specialises in providing funding solutions for Volkswagen drivers. Whether your Volkswagen is for private or business use, you can choose from a range of funding options.

- Solutions – a personal contract plan
- Hire purchase
- Lease purchase
- Finance lease
- Contract hire

With all Volkswagen Finance products you can choose a fixed-cost maintenance plan to help you budget for your servicing and maintenance costs.

No matter what finance product you choose, your local Volkswagen retailer will be able to provide you with a personalised quote that could meet your budget and vehicle needs.

[‡] Volkswagen Finance is a trading name of Volkswagen Financial Services (UK) Limited. An offer of finance depends on certain conditions. Available to people over 18 in the UK only.

Volkswagen Insurance[±].

Competitive and comprehensive motor insurance designed especially for Volkswagen drivers. All new and Approved Used Volkswagens come with complimentary seven-day cover upon request – we'll e-mail a cover note straight to your retailer, enabling them to tax your car easily. This way, you can drive straight out of the showroom. Taking out annual cover is easy and it can start when the seven-day cover expires. For more information contact your local Volkswagen retailer or call 0800 051 3136.

[±] Volkswagen Insurance is underwritten and administered by Zurich Insurance Company. Volkswagen Insurance is a trading name of Volkswagen Insurance Service (Great Britain) Limited which is an appointed representative of Volkswagen Financial Services (UK) Limited. Zurich Insurance Company and Volkswagen Financial Services (UK) Limited are both authorised and regulated by the Financial Services Authority.

Volkswagen Roadside Assistance.

Every new car is registered for Volkswagen Roadside Assistance for one year. This provides vehicle home and roadside recovery in the unlikely event of a breakdown in the UK and Europe (subject to conditions). Volkswagen Roadside Assistance can also be purchased for subsequent years. For full details, please contact your authorised Volkswagen retailer or repairer.

Tax Free Sales.

For full details, please contact your authorised Volkswagen retailer.

CO₂ Emission.

Increased weight of a vehicle, including higher trim levels and the addition of options will have a detrimental influence on the level of fuel consumption and CO₂ emissions produced.

The CO₂ and fuel consumption figures are obtained from tests on a representative vehicle of the type, conducted and approved in accordance with Council Directive 80/1268/EEC as amended by Directive 1999/100/EC (or later) on the approximation of the laws of the member states relating to the carbon dioxide emissions and the fuel consumption of motor vehicles.

Please Note:

Some illustrations in this brochure do not necessarily reflect UK specifications and may not be available. In particular, controls and some items of equipment are positioned differently for the UK.

The specifications contained in this brochure are for information purposes only and are subject to change. If you require any specific feature, you must consult your authorised Volkswagen retailer who is regularly updated with any change in specification. Please check model availability and full specification details with your authorised Volkswagen retailer prior to ordering.

Note: We would like to advise you that telephone calls to Volkswagen Customer Care may be monitored and recorded as part of our training and quality assurance processes. All our monitoring and recording processes meet Ofcom regulations.