



Das Auto.

The new Scirocco



Let the journey begin.



Model shown is new Scirocco GT with optional Winter pack.



Are you ready to fall under the new Scirocco's spell?

Prepare to be captivated. Because from the minute you first see the new Scirocco, this outstanding car will weave its magic. With its streamlined bodyshape, dynamic handling, sports chassis and luxurious interior, this is a true sports performer that delivers everything you could ask for, right down to the affordable price. Step inside and feel your pulse start racing, take to the road and you won't want to stop. Because when you put the Scirocco through its paces, the driving pleasure just goes on and on.

Model shown is new Scirocco GT 2.0 TSI 200 PS.

Design

With its streamlined bodyshape and flowing contours, the new Scirocco exudes style, while dynamic details such as the curved design of the halogen clear headlights, enhances its sporting character. Naturally, first class workmanship and high quality materials throughout go without saying.



The **chrome twin exhaust tailpipe** adds charisma and presence, hinting at the power beneath the bonnet.

GT 2.0 TSI 200 PS only.



The front of the new Scirocco immediately attracts attention, with its sleek bonnet and striking **honeycomb front air intake**. Together with a **high gloss black radiator grille**, they create a stunning overall effect, reinforced by the Volkswagen roundel fitted flush to the bonnet, accentuating the flowing bodylines. Front fog lights standard on GT and optional on Scirocco models. Winter pack including headlight washers is optional on all models.



The new Scirocco is a pleasure to drive as it is. But with its distinctive **18 inch 'Interlagos' alloy wheels** it creates an even sportier and individual look. It is made exclusively as a one-piece cast aluminium wheel, which lowers the weight while ensuring greater suspension responsiveness. Standard on GT and optional on Scirocco models.



The sleek shaped **body-coloured door handles** complement the new Scirocco's sleek profile.



17 inch 'Donington' alloy wheels create a sporty and stylish look for your Scirocco. Standard on Scirocco models.



The distinctive **rear light clusters** blend perfectly with the lines of the new Scirocco, complementing its striking design. Its powerful profile is further accentuated by the horizontal, flat surface of the lights, with their dynamic contours.



Darkened rear side and rear windows reduce the amount of sunlight entering the cabin by up to 65% from the B pillar back, contributing to a pleasant interior temperature and enhancing the sports appeal of the new Scirocco. Standard on GT and optional on Scirocco models.



Body-coloured door mirrors with integrated indicators contribute to the streamlined, sporty look.

A world of experience awaits you.



Model shown is new Scirocco with optional front fog lights and Winter pack.

Once started, there's no stopping you.



Model shown is new Scirocco GT.

The new Scirocco

As you'd expect with a luxury sports coupé, the new Scirocco offers a high level of specification, with many advanced features fitted as standard, ensuring interior driving comfort that is second to none.



The RCD 510 touch-screen radio/dash-mounted MP3 compatible six CD autochanger features a large 6½ inch colour display, with intuitive menu navigation and touch-screen operation. It also features an AUX-in socket for connection to an external multimedia source (e.g. iPod or MP3 player) and an SD memory card slot.



The Multi Device Interface (MDI) with iPod and USB cables enables you to connect and charge a compatible device, while track selection is viewed and selected via the vehicle's radio system. Interior shown features optional 'Vienna' leather upholstery.

Some parts of leather interior contain artificial leather.



The unique design of the door handles, styled with brushed aluminium look inserts, are both practical and aesthetic, enhancing the flow of the interior design.



'Donington' 7½ x 17 alloy wheels with 235/45 R17 tyres and anti-theft wheel bolts enhance the look of the new Scirocco leaving a lasting impression.



Adaptive Chassis Control (ACC) allows you to select Normal, Comfort or Sport settings for your journey, enabling the electrically regulated dampers and steering to adapt optimally to conditions and driving style.



'Climatic' semi-automatic air conditioning system is extremely user-friendly, providing your required cabin temperature quickly and efficiently, while maintaining your selected temperature.



The luxurious interior combines ergonomics with visual appeal and practicality. Front sports seats provide maximum support when cornering, while the leather trimmed three-spoke steering wheel, gear knob and handbrake grip offer optimum grip, an essential requirement for such an agile performer. Stylish matt chrome decorative inserts provide the perfect finishing touch to the distinctive interior design.



The **sporty interior** provides a dynamic environment with added comfort and convenience. **2Zone electronic climate control** allows the driver and front seat passenger to select their own individual temperature settings, while controls of the audio system and **multifunction computer (Highline)** can be selected via the **multifunction leather trimmed steering wheel**. Interior shown is new Scirocco GT 2.0 TSI 200 PS DSG with optional DVD touch-screen navigation/radio system and 'Vienna' leather upholstery.

Some parts of leather interior contain artificial leather.



The **chrome twin exhaust tailpipe** that features on the GT 2.0 TSI 200 PS adds charisma and presence.



Front fog lights add a striking look to the front of the vehicle, and also provide additional safety.



'**Interlagos**' 8J x 18 alloy wheels with 235/40 R18 tyres and anti-theft wheel bolts confirm the new Scirocco GT's pedigree sports performance.

The new Scirocco GT

The GT builds over the already high specification of the Scirocco and adds some additional styling to the exterior that undoubtedly makes the GT stand out from the crowd. Inside, a higher level of specification and equipment ensures that every journey is made even more enjoyable.



Radio systems, multifunction computer (Highline) and optional telephone preparation* can be operated easily and comfortably via the sporty leather trimmed multifunction steering wheel. Specify a DSG gearbox and the multifunction steering wheel features paddle shift as standard.

* Phones must be compatible with rSAP (rSim Access profile), please contact your retailer for phone compatibility.



2Zone electronic climate control with automatic air recirculation, courtesy of an air quality sensor, provides temperature controls that can be individually adjusted by the driver and front passenger, enabling them to set their own desired temperature. The system ensures all passengers enjoy a comfortable journey and the temperature selected is displayed accurately, within half a degree Celsius.

Safety

Naturally, as a sports coupé, the new Scirocco offers impressive power and performance. But it also offers intelligence too, as demonstrated by its first class safety specification, designed to help you manage such occurrences as bad weather, sharp bends and tight parking spaces.



Disc brakes front and rear, (front ventilated), ensure exceptional thermal performance, even when the temperature of the brakes rises to extreme levels.



Front fog lights improve the illumination of the road ahead in bad visibility conditions, such as fog, snow, or driving rain, and are an important element of the new Scirocco's safety specification. Standard on GT and optional on Scirocco models.

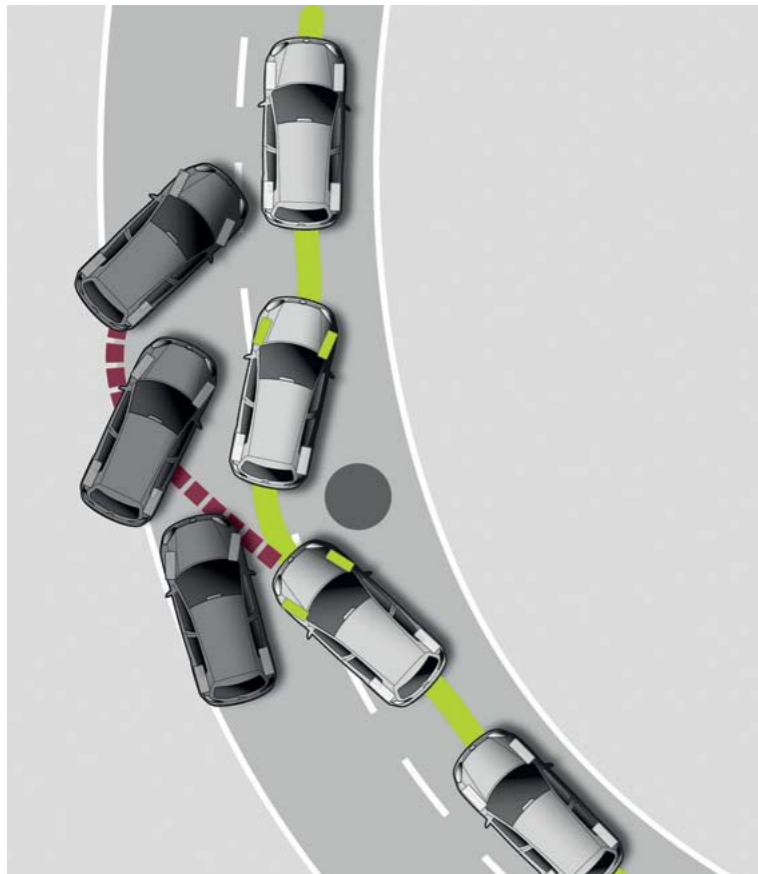


In the event of a change in tyre pressure, the flat tyre indicator symbol appears in the multifunction display, advising the driver to rectify the situation. Optional on all models.



An extensive airbag system offers protection to all passengers in the new Scirocco in the event of an emergency situation. The system comprises curtain airbags for front and rear passengers, with front seat side impact airbags providing additional lateral protection for the driver and front seat passenger. There is also a passenger's airbag deactivation switch on the front passenger side. Deployment of the airbags is managed via crash sensors: if an impact is registered, the gas generator ignites, which then fills the airbag within 30 to 40 milliseconds.

Image shown is for illustration purposes only and may not necessarily reflect UK specification.



The sensor-controlled **Electronic Stabilisation Programme (ESP)** recognises critical driving situations and reacts in milliseconds by controlling the speed of individual wheels, helping to bring the vehicle under control.



The new Scirocco's safety systems comply with the highest safety standards and have been extensively tested to ensure they provide maximum protection in all situations.



Rear parking sensors help you park your new Scirocco with the greatest of ease, aided by an audible warning and a visual display via the RCD 510 radio system's display. Optional on all models.

Optional equipment

Practical extras can be an extremely useful way of creating exactly the Scirocco you desire. With this in mind, a selection of different options are available, each one ensuring your Scirocco meets your individual requirements. This reflection of your personality and lifestyle makes the new Scirocco more irresistible than ever. So, why fight the temptation?



The DVD touch-screen navigation/radio system will guide you to your destination using all but the last two digits of a UK postcode and includes a 6½" colour display, 3D representation and touch-screen operation. It also plays videos (when the vehicle is stationary) and music from the DVD drive, 30 GB hard drive or via the MDI (Multi Device Interface) or AUX-in socket. Optional on all models.

Interior shown is GT also featuring optional Winter pack.



In addition to your DVD touch-screen navigation/radio system you can also specify an **armrest-mounted six CD autochanger**, in lieu of MDI (Multi Device Interface), allowing you hours of uninterrupted listening pleasure. Optional on all models.



Another addition to improve your journey's soundtrack is the **'Dynaudio' sound system** incorporating an eight channel digital amplifier. It provides impressive acoustics and the highest levels of audio pleasure, delivering 300 watts through eight high performance speakers. Optional on all models.



The **multifunction steering wheel**, in sumptuous leather finish, enables you to control the radio and multifunction computer (Highline) without taking your hands off the wheel, thanks to the intuitively positioned buttons. On DSG models the multifunction steering wheel also features paddle shift, allowing manual gear changes from the steering wheel. Standard on GT and optional on Scirocco models. Also available as an option, is the multifunction steering wheel with **telephone preparation***. This option enables safe and easy use of your telephone via controls on the steering wheel and the vehicle's audio system. Optional on all models. Interior shown features optional DVD touch-screen navigation/radio system and Winter pack.

* Telephones must be compatible with rSAP (rSim Access profile), please contact your retailer for phone compatibility.



For relaxed motorway driving, **cruise control** is the perfect answer. Operational at speeds above approximately 20 mph, the system can be set to maintain a constant speed. Optional on all models.



The **2Zone electronic climate control** maintains a constant preset temperature, providing separately controllable air conditioning for the driver and front passenger, practically without a draught. The automatic air recirculation mode also ensures that passengers are automatically protected from any unpleasant odours. Standard on GT and optional on Scirocco models. Heated front seats form part of the optional **Winter pack**, which also includes headlight washers, heated windscreen washer jets and low washer fluid warning light. Optional on all models.



Luxurious 'Vienna' leather upholstery in Truffle or Black includes heated front sports seats which provide optimum lateral support on tight bends ensuring maximum driving fun. The electrically-adjustable driver's seat lumbar support will ensure the best possible seating position on every journey. Optional on all models.

Some parts of leather interior contain artificial leather.



When ordered in conjunction with leather upholstery, the 12-way electrically-adjustable driver's seat offers adjustments for your seating position, enabling you to enjoy the most ergonomic and beneficial support for your spine. Optional on all models.

Some parts of leather interior contain artificial leather.



Electrically heated, adjustable and foldable door mirrors with integrated indicators can be easily operated from the comfort of the driver's seat. Optional on all models.



The electric panoramic glass tilt only sunroof is just as eye-catching from the outside as it is from the inside. Adding light and space, it fills the interior with additional natural light, providing an uninterrupted view of the sky overhead. Optional on all models.



Heat insulating rear tinted windows from the B pillar back are 65% light absorbing, and helps reduce exposure to the sun's rays whilst giving your Scirocco a sporty look. Standard on GT and optional on Scirocco models.

Paint



Salsa Red
Non-Metallic
4Y



Reflex Silver
Metallic
8E



Candy White
Non-Metallic
B4



Opal Silver
Metallic
9A



Rising Blue
Metallic
4C



Pewter Grey
Metallic
M8



Viper Green
Metallic
6B



Shadow Blue
Metallic
P6



Sumatra
Metallic
7C



Deep Black
Pearl Effect
2T


■ Standard ■ Optional

Please note: Screen technology does not allow for exact reproduction of the paint colours.

Upholstery

Black
Sports seats in 'Merlin' cloth
AZ

Standard on all models



Black
Sports seats in 'Vienna' leather*
QX

Optional on all models



Truffle
Sports seats in 'Vienna' leather*
TL

Optional on all models



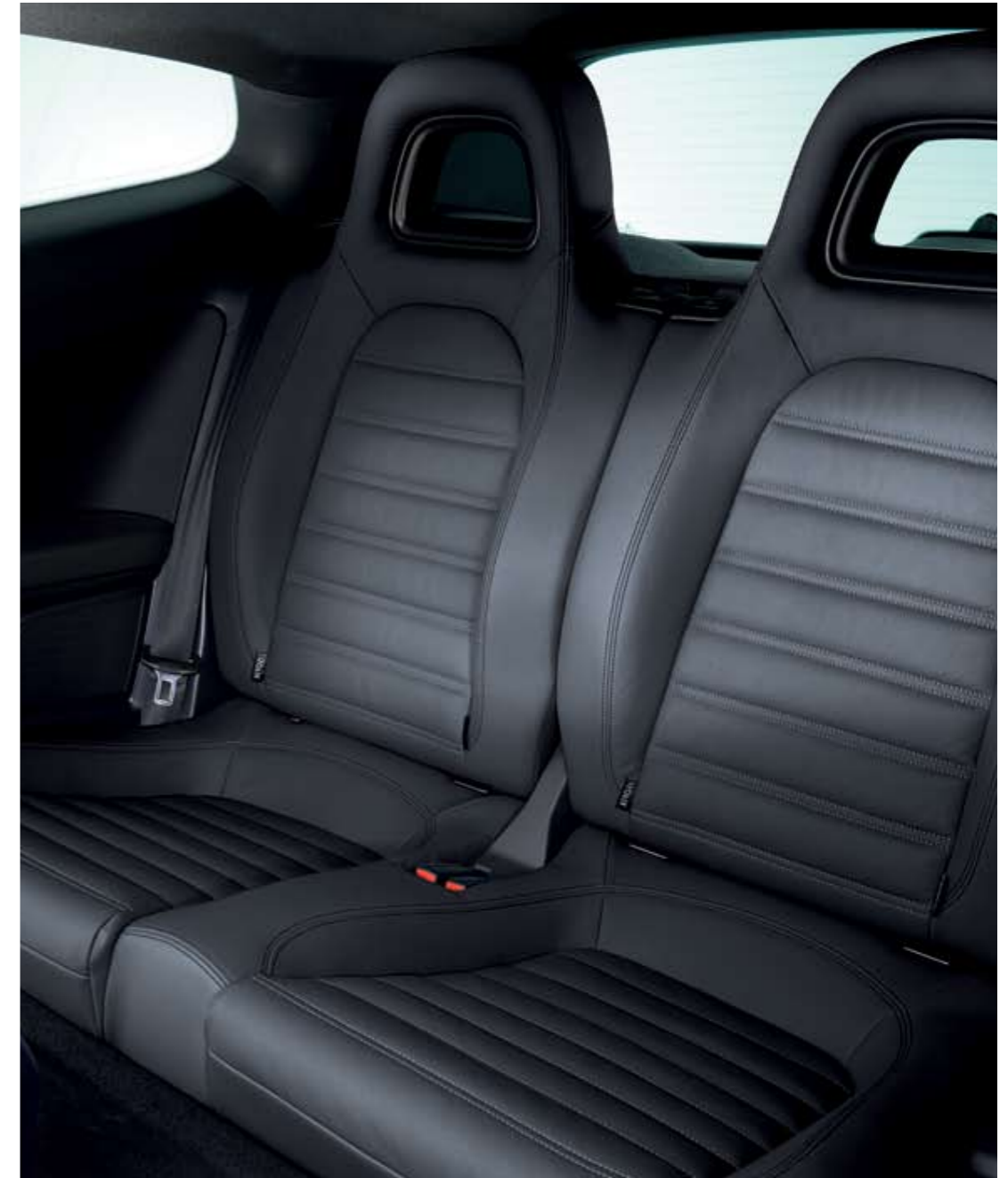
Standard Optional

* Some parts of leather interior will contain artificial leather.
 Please note: Screen technology does not allow for exact reproduction of the upholstery colours.

Combinations

Seat upholstery	Carpet	Dashboard	Salsa Red 4Y	Candy White B4	Rising Blue metallic 4C*	Viper Green metallic 6B*	Sumatra metallic 7C*	Reflex Silver metallic 8E*	Opal Silver metallic 9A*	Pewter Grey metallic M8*	Shadow Blue metallic P6*	Deep Black pearl effect 2T*
'Merlin' cloth Black (AZ)	Anthracite	Anthracite/Anthracite	●	●	●	●	●	●	●	●	●	●
Sports seats in 'Vienna' leather*† Black (QX)	Anthracite	Anthracite/Anthracite	○	○	○	○	○	○	○	○	○	○
Truffle (TL)	Anthracite	Anthracite/Anthracite	-	○	-	-	○	○	○	○	○	○

* Metallic and pearl effect paints and 'Vienna' leather upholstery are optional at extra cost.
 † Some parts of leather interior will contain artificial leather.



Classic and durable 'Vienna' leather in Black.

Some parts of leather interior contain artificial leather.



The fully synchronised six speed manual gearbox is easy to use, giving you total control.



Hi-tech petrol engines feature innovative TSI technology, which utilises a combination of downsizing, direct injection and turbocharging to produce impressive torque and power output, alongside low fuel consumption.



The TDI diesel engine with common rail technology is fitted with a Diesel Particulate Filter (DPF) which filters out exhaust elements that are harmful to health and the environment, significantly reducing diesel emissions as a result.

The DSG gearbox offers a genuine alternative to a manual gearbox because it is able to change gear faster than a manual gearbox and more smoothly than a conventional automatic. The DSG gearbox also features an auto hold function which prevents your new Scirocco from rolling back when pulling away or during a hill start, making every journey just that little bit easier.

Engines and gearboxes

Whichever engine or gearbox combination you select for your new Scirocco, you can be sure of outstanding performance, excellent torque and efficient fuel consumption. That's because advanced Volkswagen engine technology delivers phenomenal results, whatever the length of your journey – long distance or a quick spin, whether you opt for a petrol or diesel variant.



The Adaptive Chassis Control (ACC) adapts the damping control and shock absorption rate to the road conditions and driving style you require within milliseconds. At the touch of a button, you decide how firm or comfortable you wish to set the suspension, with a choice of three settings: Normal, Comfort or Sport. In Normal mode, the principal advantage of the system is that the dampers are constantly adjusted to the road and the driving conditions. In Sport mode, the dampers are considerably stiffer and the steering becomes more responsive. A direct contrast is Comfort mode where the suspension is adjusted to maximise passenger comfort, particularly when travelling on poor road surfaces or long motorway journeys.

Image shown is for illustration purposes only and may not necessarily reflect UK specification.

Scirocco – 1.4 litre TSI 160 PS

Technical specification

		Manual	Automatic DSG
Engine	Engine type	Four cylinder petrol	Four cylinder petrol
	Cubic capacity, ltrs/cc	1.4/1390	1.4/1390
	Max. output, PS ⁽⁰¹⁾ /kW at rpm	160/118 5800	160/118 5800
	Max. torque, lbs.ft./Nm at rpm	177/240 1500-4500	177/240 1500-4500
	Gearbox	Six speed manual	Seven speed auto DSG
Weights, kgs	Unladen weight ⁽⁰²⁾	1271	1285
	Gross vehicle weight	1720	1730
	Payload ⁽⁰²⁾	449	445
	Axle load limit: Front Rear	1000 770	1010 770
Load limits, kgs⁽⁰³⁾	Max. roof load	75	75
Performance	Top speed (where the law permits), mph (km/h)	135 (218)	135 (218)
	Acceleration, secs 0 - 62 mph	8.0	8.0
	ABI insurance group	14	14
Environmental information	Fuel grade, minimum	Unleaded, 95 RON ⁽⁰⁴⁾	Unleaded, 95 RON ⁽⁰⁴⁾
	Fuel tank capacity, galls/ltrs	11/50	11/50
	Official fuel consumption, mpg/ltr per 100 km ⁽⁰⁶⁾		
	Urban	32.5/8.7	35.3/8.0
	Extra-urban	52.3/5.4	52.3/5.4
	Combined	42.8/6.6	44.8/6.3
	Official CO ₂ emission, g/km ⁽⁰⁷⁾	154	147
Emission class	EURO 5	EURO 5	
Noise, dB	74.0	71.0	
Maximum luggage capacity⁽⁰⁸⁾	With rear seat upright	312	312

Notes.

- 01) The maximum power output figures are quoted in PS (or Pferdestärke, which is the metric equivalent of horsepower). To convert from metric to imperial horsepower, divide the PS figure by 1.0139.
- 02) Figures are calculated in accordance with manufacturer's criteria. The individual unladen weight depends on the specification of the vehicle, this then reduces the possible payload accordingly.
- 03) With increasing altitude the engine performance diminishes. From 1,000 m above sea level and for every 1,000 m thereafter 10% of the vehicle/trailer weight (trailer weight + gross vehicle weight) must be deducted.
- 04) Thanks to the knock control, unleaded four star (at least 95 RON) can be used instead of unleaded Super plus. In order to achieve maximum fuel consumption benefits on the TSI engine, Ultra Low Sulphur Petrol (ULSP) must be used.
- 05) The use of RME and FAME (bio diesel) is not possible.
- 06) Official fuel consumption according to EU Directive 99/94. The consumption calculation according to 1999/100/EC is based on the actual unladen weight of the vehicle. Additional specifications can lead to a higher weight class and hence to consumption figures of this higher weight class. The driving style, road and traffic conditions, environmental influences and vehicle condition can in practice lead to consumption figures, which may differ from those calculated with this standard.
- 07) The weight of a vehicle will influence the level of CO₂ emission it produces; as a result, vehicles with higher levels of specification and factory-fitted options may emit higher levels of CO₂.
- 08) VDA measuring method using 200 x 100 x 50 mm blocks.

GT – 2.0 litre TSI 200 PS

Technical specification

		Manual	Automatic DSG
Engine	Engine type	Four cylinder petrol	Four cylinder petrol
	Cubic capacity, ltrs/cc	2.0/1984	2.0/1984
	Max. output, PS ⁽⁰¹⁾ /kW at rpm	200/147 5100-6000	200/147 5100-6000
	Max. torque, lbs.ft/Nm at rpm	207/280 1700-5000	207/280 1700-5000
	Gearbox	Six speed manual	Six speed auto DSG
Weights, kgs	Unladen weight ⁽⁰²⁾	1298	1318
	Gross vehicle weight	1740	1760
	Payload ⁽⁰²⁾	442	442
	Axle load limit: Front Rear	1020 770	1040 770
Load limits, kgs⁽⁰³⁾	Max. roof load	75	75
Performance	Top speed (where the law permits), mph (km/h)	146 (235)	145 (233)
	Acceleration, secs 0 - 62 mph	7.2	7.1
	ABI insurance group	16	16
Environmental information	Fuel grade, minimum	Unleaded, 95 RON ⁽⁰⁴⁾	Unleaded, 95 RON ⁽⁰⁴⁾
	Fuel tank capacity, galls/ltrs	11/50	11/50
	Official fuel consumption, mpg/ltr per 100 km ⁽⁰⁶⁾		
	Urban	26.6/10.6	26.9/10.5
	Extra-urban	47.9/5.9	47.9/5.9
	Combined	37.2/7.6	37.2/7.6
	Official CO ₂ emission, g/km ⁽⁰⁷⁾	179	179
Emission class	EURO 4	EURO 4	
Noise, dB	75.0	74.0	
Maximum luggage capacity⁽⁰⁸⁾	With rear seat upright	312	312

Notes.

- 01) The maximum power output figures are quoted in PS (or Pferdestärke, which is the metric equivalent of horsepower). To convert from metric to imperial horsepower, divide the PS figure by 1.0139.
- 02) Figures are calculated in accordance with manufacturer's criteria. The individual unladen weight depends on the specification of the vehicle, this then reduces the possible payload accordingly.
- 03) With increasing altitude the engine performance diminishes. From 1,000 m above sea level and for every 1,000 m thereafter 10% of the vehicle/trailer weight (trailer weight + gross vehicle weight) must be deducted.
- 04) Thanks to the knock control, unleaded four star (at least 95 RON) can be used instead of unleaded Super plus. In order to achieve maximum fuel consumption benefits on the TSI engine, Ultra Low Sulphur Petrol (ULSP) must be used.
- 05) The use of RME and FAME (bio diesel) is not possible.
- 06) Official fuel consumption according to EU Directive 99/94. The consumption calculation according to 1999/100/EC is based on the actual unladen weight of the vehicle. Additional specifications can lead to a higher weight class and hence to consumption figures of this higher weight class. The driving style, road and traffic conditions, environmental influences and vehicle condition can in practice lead to consumption figures, which may differ from those calculated with this standard.
- 07) The weight of a vehicle will influence the level of CO₂ emission it produces; as a result, vehicles with higher levels of specification and factory-fitted options may emit higher levels of CO₂.
- 08) VDA measuring method using 200 x 100 x 50 mm blocks.

Scirocco, GT – 2.0 litre TDI 140 PS

Technical specification

		Manual	Automatic DSG
Engine	Engine type	Four cylinder diesel	Four cylinder diesel
	Cubic capacity, ltrs/cc	2.0/1968	2.0/1968
	Max. output, PS ⁽⁰¹⁾ /kW at rpm	140/103 4000	140/103 4000
	Max. torque, lbs.ft./Nm at rpm	236/320 1750-2500	236/320 1700-5000
	Gearbox	Six speed manual	Six speed auto DSG
Weights, kgs	Unladen weight ⁽⁰²⁾	1304	1320
	Gross vehicle weight	1750	1770
	Payload ⁽⁰²⁾	446	450
	Axle load limit: Front Rear	1030 770	1050 770
Load limits, kgs⁽⁰³⁾	Max. roof load	75	75
Performance	Top speed (where the law permits), mph (km/h)	129 (207)	127 (205)
	Acceleration, secs 0 - 62 mph	9.3	9.3
	ABI insurance group	12	12
Environmental information	Fuel grade, minimum	Diesel ⁽⁰⁵⁾	Diesel ⁽⁰⁵⁾
	Fuel tank capacity, galls/ltrs	11/50	11/50
	Official fuel consumption, mpg/ltr per 100 km ⁽⁰⁶⁾		
	Urban	42.8/6.6	39.8/7.1
	Extra-urban	67.3/4.2	61.4/4.6
	Combined	55.4/5.1	51.4/5.5
	Official CO ₂ emission, g/km ⁽⁰⁷⁾	134	145
Emission class	EURO 5	EURO 5	
Noise, dB	72.0	73.0	
Maximum luggage capacity⁽⁰⁸⁾	With rear seat upright	312	312

Notes.

- 01) The maximum power output figures are quoted in PS (or Pferdestärke, which is the metric equivalent of horsepower). To convert from metric to imperial horsepower, divide the PS figure by 1.0139.
- 02) Figures are calculated in accordance with manufacturer's criteria. The individual unladen weight depends on the specification of the vehicle, this then reduces the possible payload accordingly.
- 03) With increasing altitude the engine performance diminishes. From 1,000 m above sea level and for every 1,000 m thereafter 10% of the vehicle/trailer weight (trailer weight + gross vehicle weight) must be deducted.
- 04) Thanks to the knock control, unleaded four star (at least 95 RON) can be used instead of unleaded Super plus. In order to achieve maximum fuel consumption benefits on the TSI engine, Ultra Low Sulphur Petrol (ULSP) must be used.
- 05) The use of RME and FAME (bio diesel) is not possible.
- 06) Official fuel consumption according to EU Directive 99/94. The consumption calculation according to 1999/100/EC is based on the actual unladen weight of the vehicle. Additional specifications can lead to a higher weight class and hence to consumption figures of this higher weight class. The driving style, road and traffic conditions, environmental influences and vehicle condition can in practice lead to consumption figures, which may differ from those calculated with this standard.
- 07) The weight of a vehicle will influence the level of CO₂ emission it produces; as a result, vehicles with higher levels of specification and factory-fitted options may emit higher levels of CO₂.
- 08) VDA measuring method using 200 x 100 x 50 mm blocks.

Technology

Engines

- Front transverse-installed engine
- 1.4 litre/160 PS ⁽⁰¹⁾ (118 kW) petrol engine: EU5 compliant four cylinder in-line engine with homogeneous mode (Lambda 1), stratified high-pressure start, turbocharger with waste gate, additional mechanical supercharger, intercooler and dual-circuit cooling system. Fuel system regulated according to requirements using high pressure fuel pump with integrated pressure limiting valve. Intake manifold flap change-over omitted, regulated duo-centric oil pump, metal cartridge oil filter and three way catalytic converter
- 2.0 litre/200 PS ⁽⁰¹⁾ (147 kW) petrol engine: four cylinder in-line engine, aluminium cylinder head, four valves per cylinder with roller rocker finger valve drive, electronic direct injection, variable inlet valve timing, programmed ignition with cylinder-selective anti-knock control, four single spark ignition coils, longlife spark plugs, exhaust gas turbocharger, three-way close-coupled pre-catalyst and underbody catalyst, lambda control
- 2.0 litre/140 PS ⁽⁰¹⁾ (103 kW) common rail diesel engine: EU4 emissions standard (EU5 compliant), four cylinder in-line engine, four valves per cylinder, aluminium-silicon alloy cylinder head, toothed backlash compensator, intake manifold with electric continual tumble flap control, electronically controlled common rail direct injection system with Bosch high pressure pump (up to 1800 bar) and 8-hole piezo injector units, pre-supply electronic fuel pump, oil cooler, intercooler, exhaust gas recirculation, additional coolant pump, turbocharger with variable turbine geometry, catalytic converter and Diesel Particulate Filter (DPF)

Transmission

- Front wheel drive through asbestos-free single-plate dry clutch. Hydraulic clutch-mechanism. Six speed manual or six speed automatic DSG gearbox with double joint half axles
- Six speed manual: 1.4 litre TSI 160 PS, 2.0 litre TSI 200 PS, 2.0 litre TDI 140 PS
- Six speed automatic DSG: 2.0 litre TSI 200 PS, 2.0 litre TDI 140 PS
- Seven speed automatic DSG: 1.4 litre TSI 160 PS

Running gear

- Electronic Stabilisation Programme (ESP) including Electronic Differential Lock (EDL), Traction Control (ASR) and Countersteer Support
- Front suspension through coil springs with telescopic shock absorbers, all elements integrated in chassis legs
- Rear suspension with gas pressure shock absorbers and separate springs
- Wheel control: front through chassis legs and (lower) triangular wishbones (directionally stabilising steering roll radius)
- Wheel control: rear through four-link suspension with independent wheel suspension
- Front and rear anti-roll bar

Steering

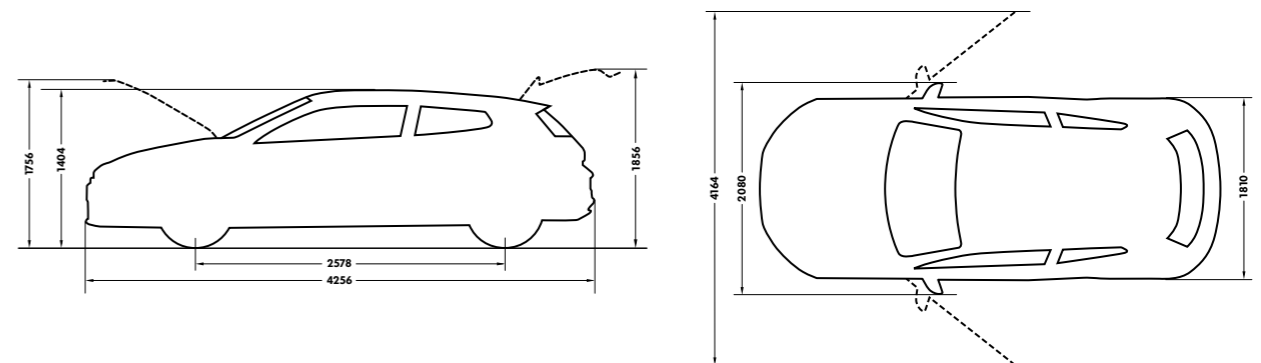
- Electro-mechanical steering rack
- Collapsible, height and lengthways adjustable safety steering column

Brakes

- Electronically controlled Anti-lock Braking System (ABS) with Electronic Brake-pressure Distribution (EBD)
- Diagonal twin-circuit brake system with front and rear disc brakes (front ventilated)
- Asbestos-free brake pads
- Hydraulic Brake Assist (HBA)

Dimensions

Exterior dimensions	Length, mm	4256
	Width – including door mirrors, mm	2080
	Width – excluding door mirrors, mm	1810
	Width – opened front doors, mm	4164
	Height, mm	1404
	Height – opened bonnet/floor, mm	1756
	Height – opened tailgate/floor, mm	1856
	Wheelbase, mm	2578
	Turning circle, mm	11000
Interior dimensions	Effective headroom – front, mm (with sunroof)	953 (948)
	Effective headroom – rear, mm (with sunroof)	924 (923)



Volkswagen service for your peace of mind.

The Volkswagen Warranty.

Three-year Warranty.

All Volkswagen new Sciroccos come with a three-year/60,000 miles warranty, which protects your car against the failure of most mechanical and electrical components due to manufacturing defects. This comprises a two-year manufacturer's warranty with unlimited mileage plus a further one-year/60,000 miles (whichever is soonest) Retailer Warranty. Should the mileage exceed 60,000 miles within the first two years, the manufacturer's two-year warranty will still be valid. If an additional warranty for subsequent years or higher mileage is desired, it may be purchased from an authorised Volkswagen retailer or repairer; however, this additional warranty must be purchased before the mileage reaches 60,000*. Full details of the three-year warranty are available from your authorised Volkswagen retailer or repairer.

* All warranty work must be completed by an authorised Volkswagen retailer or repairer.

Three-year Paint Warranty.

The paintwork of the new Scirocco is covered against manufacturing defects for a period of three years. Naturally, the new Scirocco must be cared for in compliance with the operating instructions which will be found in your vehicle handbook. Please consult your authorised Volkswagen retailer or repairer for full warranty details.

12-year Body Protection Warranty.

The internal body sections and panels of the new Sciroccos are covered against rusting through from the inside for 12 years. Naturally, the new Scirocco must be cared for in compliance with the operating instructions. Please consult your authorised Volkswagen retailer or repairer for full warranty details.

Approved Accessories.

A comprehensive range of accessories from alloy wheels to carpet mats is available to complement the factory-fitted option list. Volkswagen approved accessories purchased from and fitted by your authorised Volkswagen retailer at the point of vehicle sale will also benefit from the three-year vehicle warranty.

Service Intervals.

Volkswagen are pleased to offer you a choice on how your new Scirocco is serviced. The appropriate selection is entirely dependent on how the car is likely to be driven and its general use. To help you identify which type of service would be most suitable, please refer to the following guide.

The Time and Distance Service is recommended for vehicles that will cover less than 10,000 miles in 12 months and if the vehicle is likely to be used in the following way:

- Predominantly urban driving, short journeys with frequent cold starts.
- Activities regularly producing high engine loading, e.g. frequent hill climbs, driving with vehicle fully loaded and towing.
- Uneconomical driving style using high rpms with heavy acceleration and heavy braking.

The service intervals for the Time and Distance Service are as follows:

- Oil change service
Every 10,000 miles/1 year (whichever is soonest).
- Interval service
Every 20,000 miles/2 years (whichever is soonest).
- Inspection service
Every 40,000 miles/3 years (whichever is soonest).

The LongLife Service is recommended for vehicles with a daily mileage of more than 25 miles where the vehicle is driven regularly mainly on longer distance journeys. The vehicle is driven mainly at a constant speed with minimum vehicle and engine loading, minimal towing and driven in an economical manner.

With the LongLife Service the vehicle can cover anywhere between 10,000[†] and a maximum of 18,000[†] miles or 24 months (whichever is soonest) between oil changes. Inspection service is typically in the third year of ownership and thereafter every second year, for vehicles with an approximate annual mileage of 10,000 miles.

[†] Please note that mileages are approximate as the service indicator system uses kilometres as the distance measurement. Please consult your authorised Volkswagen retailer or repairer for advice and full details.

Extended Warranty.

You may purchase additional protection from your authorised Volkswagen retailer or repairer, or contact 0870 9000 115.

Volkswagen Finance[‡].

Volkswagen Finance specialises in providing funding solutions for Volkswagen drivers. Whether your Volkswagen is for private or business use, you can choose from a range of funding options.

- Solutions – a personal contract plan
- Hire purchase
- Lease purchase
- Finance lease
- Contract hire

With all Volkswagen Finance products you can choose a fixed-cost maintenance plan to help you budget for your servicing and maintenance costs.

No matter what finance product you choose, your local Volkswagen retailer will be able to provide you with a personalised quote that could meet your budget and vehicle needs.

[‡] Volkswagen Finance is a trading name of Volkswagen Financial Services (UK) Limited. An offer of finance depends on certain conditions. Available to people over 18 in the UK only.

Volkswagen Insurance[±].

Competitive and comprehensive motor insurance designed especially for Volkswagen drivers. All new and Approved Used Volkswagens come with complimentary seven-day cover upon request – we'll e-mail a cover note straight to your retailer, enabling them to tax your car easily. This way, you can drive straight out of the showroom. Taking out annual cover is easy and it can start when the seven-day cover expires. For more information contact your local Volkswagen retailer or call 0800 051 3136.

[±] Volkswagen Insurance is underwritten and administered by Zurich Insurance plc. Volkswagen Insurance is a trading name of Volkswagen Insurance Service (Great Britain) Limited which is an appointed representative of Volkswagen Financial Services (UK) Limited. Zurich Insurance plc and Volkswagen Financial Services (UK) Limited are both authorised and regulated by the Financial Services Authority.

Volkswagen Roadside Assistance.

Every new car is registered for Volkswagen Roadside Assistance for one year. This provides vehicle home and roadside recovery in the unlikely event of a breakdown in the UK and Europe (subject to conditions). Volkswagen Roadside Assistance can also be purchased for subsequent years. For full details, please contact your authorised Volkswagen retailer or repairer.

Tax Free Sales.

For full details, please contact your authorised Volkswagen retailer.

CO₂ Emission.

Increased weight of a vehicle, including higher trim levels and the addition of options will have a detrimental influence on the level of fuel consumption and CO₂ emissions produced.

The CO₂ and fuel consumption figures are obtained from tests on a representative vehicle of the type, conducted and approved in accordance with Council Directive 80/1268/EEC as amended by Directive 1999/100/EC (or later) on the approximation of the laws of the member states relating to the carbon dioxide emissions and the fuel consumption of motor vehicles.

Please Note:

Some illustrations in this brochure do not necessarily reflect UK specifications and may not be available. In particular, controls and some items of equipment are positioned differently for the UK.

The specifications contained in this brochure are for information purposes only and are subject to change. If you require any specific feature, you must consult your authorised Volkswagen retailer who is regularly updated with any change in specification. Please check model availability and full specification details with your authorised Volkswagen retailer prior to ordering.

Note: We would like to advise you that telephone calls to Volkswagen Customer Care may be monitored and recorded as part of our training and quality assurance processes. All our monitoring and recording processes meet Ofcom regulations.