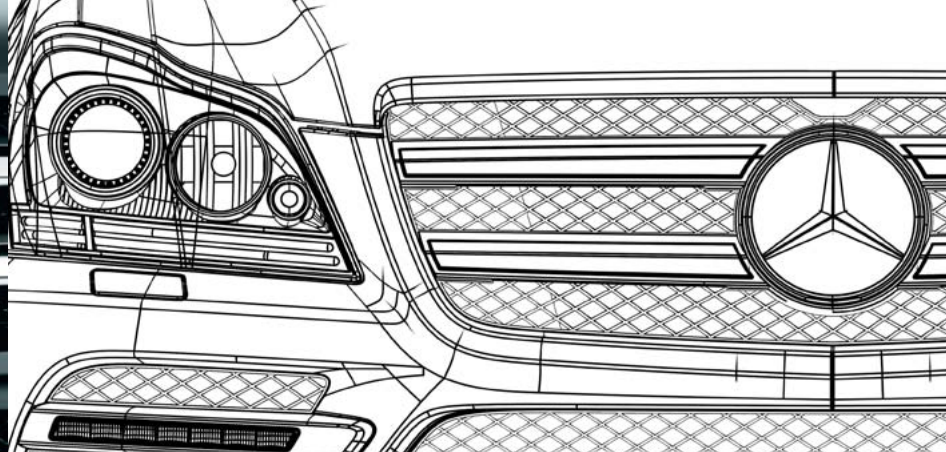


GL-Class



Mercedes-Benz





First impressions

Welcome to a car where off-road ability and on-road comfort go hand in hand. Where effortless power is delivered with enhanced efficiency. Where polished chrome blends harmoniously with rugged muscularity, and practicality comes wrapped in the finest materials. Welcome to a car that redefines luxury: the GL-Class from Mercedes-Benz.

[Overview](#) | [page 3](#) | [Insights](#) | [page 13](#)

GL-Class

Facts

- Refined pleasures:** Engines and suspension from page 18
- Protective instincts:** Safety from page 28
- Stress relief:** Comfort from page 31
- Your personal GL:** Equipment from page 37
- More Mercedes-Benz:** Services from page 50
- The GL in figures:** Technical data from page 52





Catches the eye,
takes the breath away

Discover a more exclusive way to explore: the GL-Class. Its looks are muscular yet supremely elegant, its lines enhanced by shimmering chrome. Wherever the journey takes you, the GL always feels at home.



Soothes the senses,
frees the mind



Cossets passengers,
captivates drivers



To drive a GL is to feel on top of the world. And not just because of the commanding views, but also because everything seems so right – from the surefooted handling to the spacious interior and high-quality materials. You'll find yourself looking forward to the next journey before you've even arrived.



Instils confidence,
guarantees vigilance



Imposing on the outside, relaxing on the inside, the GL gives you an instant sense of reassurance. And with the latest Mercedes-Benz safety technology on board, it's a feeling that's entirely justified. → pages 28-30







Loves open spaces,
avoids tight squeezes

With a GL, there's plenty of room for everyone. It seats up to seven in comfort and accommodates whatever combination of people and luggage your journey requires. Be it for family holidays or outdoor expeditions, the possibilities are almost endless. → page 36



Rises to challenges,
minimises risks



Quickens the pulse,
respects the planet



Even luxury off-rovers can be efficient. The GL350 CDI BlueEFFICIENCY comes with technology that reduces fuel consumption and emissions – without affecting power or torque. → pages 18–21





Pushes boundaries,
expands horizons





Brings the wilderness closer,
leaves crowds far behind

Stylish, sophisticated and yet supremely surefooted, the GL is an off-roader for every occasion - for effortless urban journeys, for difficult trails, and, above all, for unsurpassed comfort all the way.





No ordinary ore

On the face of it, a small lump of rock containing a relatively abundant element isn't much to write home about. This particular element, however, which goes by the symbol Cr and has the atomic number 24, not only lends itself to the creation of corrosion- and heat-resistant alloys, it also puts the glow in van Gogh's sunflowers, gives rubies their fiery red colour and turns the heads of car aficionados the world over.

Chrome: the very word suggests glamour, luxury and the flamboyant classic cars of a bygone age. And yet the appeal of a chromed finish remains as strong as ever. Chrome is versatile and vibrant – the name derives from the Greek for colour and was chosen because of the brightly coloured compounds it produces. Chrome shines and shimmers. It captures the attention and creates fascinating contrasts – and nowhere more so than on a GL, where refined chrome trim provides the perfect counterpoint to rugged style.

The presence of a large beaver dam on an idyllic Alabama lake might not, at first glance, seem especially unusual. Except that this particular dam receives daily visits from an environmental engineer, the lake is actually a rainwater collection basin and the apparent idyll is, in fact, the Tuscaloosa plant where our GL-Class off-roaders are made.

Although Scott Baggett, the aforementioned engineer, has set eyes on the elusive beaver just twice in 11 years, he takes great pride in its choice of home, which is testimony to the quality of the water and an endorsement of the plant's stringent environmental standards. The same high standards are, of course, applied to the cars that come off its production line. As a result, all GL engines now feature enhancements that improve fuel efficiency even further, while every diesel is fitted with a standard particulate filter that makes for even cleaner exhaust emissions.



Sweet Home Alabama



Have you ever asked yourself how an electric seat can move so effortlessly, or a sunroof glide so smoothly? Or wondered who it is that turns the speedometer needle, angles the headlamps so you can see better in bends, and makes sure the cabin climate is always just so?

Probably not, but, in fact, there's one simple answer to these and many more such questions: an electric motor. There are more than 150 of them in every GL, performing all those little tasks that ensure you enjoy optimum safety and comfort every time you travel. You'll probably never even be aware of them, which is as it should be, but you'll almost certainly notice the results: a safer, smoother and altogether more relaxing journey.

At your service



18 BlueEFFICIENCY**20 Diesel engines**

V6 diesel engine

V8 diesel engine

21 Petrol engine

V8 petrol engine

22 Transmissions

7G-Tronic

Direct Select

23 Suspension and steering

Direct Steering

AirMATIC

Adaptive Damping System (ADS)

24 Four-wheel drive systems

4MATIC with 4ETS

26 Off-road ability

Off-Road-Pro Package

28 Safer driving

ESP® with Trailer Stability Assist

Distronic

Blind Spot Assist

Intelligent Light System with

LED daytime running lights

30 Occupant protection

Pre-Safe® system

Three-point seat belts

Neck-Pro head restraints

Airbag system

31 Ambient interior lighting**32 Multimedia systems**

COMAND multimedia system

Harman Kardon® Logic 7®

surround sound system

33 Electronic assistants

Parktronic

Reversing camera

34 Climate control

Automatic climate control

Luxury automatic climate control

35 Seats

Multi-contour front seats

Comfort-ventilated front seats

Memory Package

Rear seats

Luxury Seat Package

36 Load compartment

Easy-Pack system

Capacity

The GL-Class in detail



37 **AMG**

AMG alloy wheels with
wheel arch extensions

38 **Upholstery and trim**44 **Standard equipment**45 **Optional extras**46 **Alloy wheels**

Standard-equipment wheels

Optional wheels

AMG wheels

Retailer-fit wheels

48 **Retailer-fit accessories**50 **Services**

Mercedes-Benz World and Museum

MercedesCard

Roadside Assistance

Mercedes-Benz Finance and Insurance

Test drive

Interactive Owner's Manual

Mobile website

52 **Dimensions**53 **Technical data**55 **Paint finishes**

BlueEFFICIENCY – technology for more efficient driving

As the inventor of the motor car, we feel we have a special responsibility for improving its resource efficiency – without compromising on safety, comfort and driving pleasure.

Our comprehensive BlueEFFICIENCY measures have already brought significant cuts in fuel consumption to many current Mercedes-Benz models, helping to lower both their CO₂ emissions and their running costs. What's more, we are continuing to develop new environmentally friendly technologies that will reduce emissions even further and help to make motoring more sustainable in the long term.

BlueEFFICIENCY – the Mercedes-Benz efficiency drive. In addition to highly advanced and efficient engines, BlueEFFICIENCY models come with a range of energy-saving measures that enable fuel

consumption and CO₂ emissions to be reduced by up to 23%. These measures vary from model to model but can include ECO start/stop, on-demand ancillary components and low-resistance tyres, as well as aerodynamic optimisation and the use of lightweight materials.

BlueTEC – cleaner diesel power. BlueTEC is our cleanest diesel technology to date. Its combination of advanced common-rail direct injection, optimised combustion and modular emissions control systems reduces particulate levels by up to 95% and removes up to 90% of nitrogen oxides, leaving little but water, harmless nitrogen and the satisfaction of knowing you've done your bit for the environment.

HYBRID and BlueTEC HYBRID – the future of internal combustion. The next stage in our

efficiency drive, hybrid drivetrains will bring new levels of fuel efficiency and emissions reduction to tomorrow's Mercedes-Benz passenger cars. The petrol/electric **HYBRID** system allies an economical internal combustion engine to an electric motor that not only assists the engine when accelerating but also recovers kinetic energy during braking. In addition, the system automatically shuts off the engine as the car slows to a standstill, helping to reduce fuel consumption even further. The diesel equivalent, **BlueTEC HYBRID**, combines the benefits of



BlueEFFICIENCY measures substantially reduce fuel consumption and CO₂ emissions



hybrid drive with the clean-burn technology of BlueTEC. It achieves outstanding fuel economy while keeping harmful emissions to a minimum.

BlueZERO – the drivetrains of tomorrow.

The BlueZERO concept showcases three highly developed electric vehicle variants. The E-CELL is an all-electric system driven solely by the battery, E-CELL PLUS pairs battery power with a range-extending internal combustion engine, while the F-CELL features a hydrogen-based fuel-cell stack.



The HYBRID system lowers fuel consumption by up to 20%

Design for Environment. Our environmental philosophy is not just about in-car technologies. It also involves taking the entire lifecycle of each vehicle into account, from its initial planning to its end-of-life recycling. We apply the same approach to the building and maintenance of new factories too, saving energy, avoiding harmful emissions and making increasing use of renewable resources. In addition, Mercedes-Benz is involved in the development of alternative fuels and conducts research in the field of bionics. For more

information about what BlueEFFICIENCY can do for you, please visit www.mercedes-benz.co.uk/blueefficiency

Diesel engines

The GL offers the latest in common-rail diesel technology. The V6 and V8 engines are both powerful, refined and efficient.

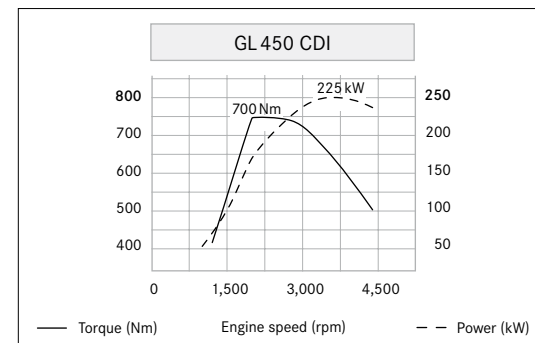
V6 diesel engine. With its lightweight V6 diesel engine, precise piezo injectors, and high-pressure injection, the GL 350 CDI BlueEFFICIENCY delivers 265 hp (195 kW), plus 620 Nm of torque between 1,600 and 2,400 rpm. Fuel consumption, on the other hand, is rather more modest, thanks not only to advanced diesel technology but also to a range of other efficiency-enhancing measures. These include front wheel arch

spoilers and a sealed grille badge, both of which help to reduce the car's drag, an electro-hydraulic power steering system that requires less fuel, and tyres whose special rubber compound and optimised tread result in considerably lower rolling resistance.



The GL 350 CDI BlueEFFICIENCY comes with a V6 diesel engine that's both economical and effective

V8 diesel engine. With 306 hp (225 kW) and 700 Nm of torque, the GL 450 CDI's V8 engine sets the standard for muscular diesel power. In addition, it's now more efficient and refined than ever, thanks to a new turbocharger and improvements to the flow of air through the cooling systems and intake ports. The GL 450 CDI comes with particulate filters that significantly reduce soot particle emissions.



The GL 450 CDI delivers its maximum 700 Nm of torque between 2,200 and 2,600 rpm

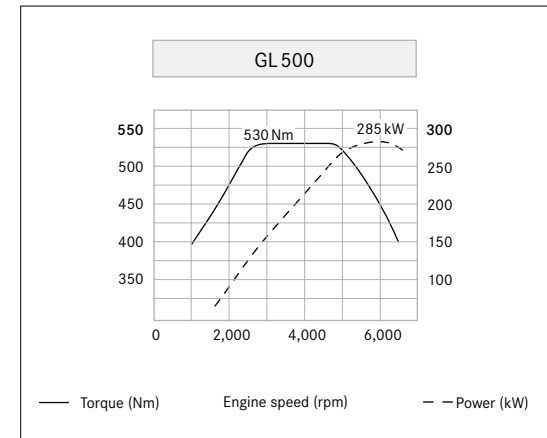
Petrol engine

The GL is also available with a muscular V8 petrol engine that combines exceptional pulling power with low emissions levels.

V8 petrol engine. The GL 500 offers a perfect blend of muscle and refinement. With an output of 388 hp (285 kW), plus 530 Nm of torque from 2,800 to 4,800 rpm, its V8 petrol engine delivers effortless performance, sprinting from 0 to 62 mph in 6.5 seconds and accelerating on to a top speed of 149 mph. It's efficient too, thanks to its lightweight aluminium/forged-steel construction, magnesium components and special shifting camshafts that optimise the engine's charge cycle, helping it to run more smoothly and deliver higher mid-range torque.



The GL 500's V8 is among the most powerful engines in its class and yet compares favourably on fuel consumption too



The GL 500 sustains its maximum 530 Nm of torque all the way from 2,800 to 4,800 rpm

Transmissions

The intelligent 7G-Tronic transmission reacts automatically to changes in your driving and selects the right ratio for every situation.

7G-Tronic. All GL models come with 7G-Tronic automatic transmission as standard. Operated via the Direct Select shift lever on the steering column, 7G-Tronic helps to minimise fuel consumption, its seven forward gears ensuring the engine is always operating at the ideal speed. It also delivers faster, smoother and quieter shifts as well as greater pulling power and better acceleration. In addition, the transmission can shift down more than one gear at a time when even more rapid surges are required, during overtaking for instance.

Direct Select. Instead of a conventional shift lever between the seats, the GL has an intuitive Direct Select shift lever on the steering wheel column. Just tap the lever to switch between

P, N, R and D and your input is transmitted electronically to the transmission. Alternatively, you can opt to change gear manually via the steering wheel shift paddles.



7G-Tronic: the result of 40 years' and 11 million transmissions' worth of experience

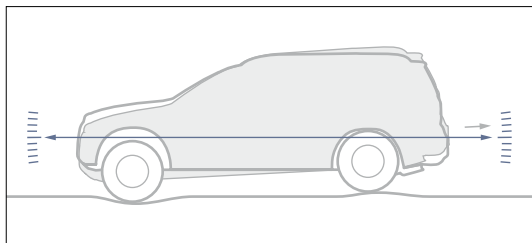


The Direct Select lever and steering wheel shift paddles

Suspension

The GL is just as at home on the road as off it. Its AirMATIC suspension and Adaptive Damping System (ADS) deliver a smooth ride and agile handling on any surface.

Direct Steering (standard). The GL's more direct steering ratio reduces the effort required for larger turn angles, such as when parking or in sharp bends. This increases agility and makes for a smoother driving experience.



Front and rear self-levelling ensures ground clearance remains unaffected by heavier loads

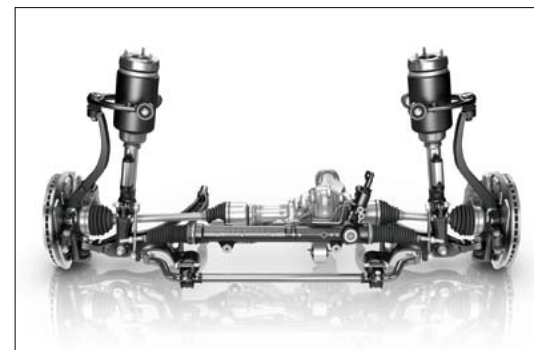
AirMATIC air suspension (standard). The AirMATIC air suspension system features a self-levelling function that ensures the GL's ride height remains constant however heavy its load, ensuring optimum comfort and stability at

all times. Once the engine is running, the ride height can also be raised or lowered manually at any time, giving you extra ground clearance at the touch of a button. At high speeds, the ride height is automatically lowered by 15 mm at each axle, reducing drag and increasing stability. Once the car's speed drops below 25 mph, the suspension automatically reverts to the normal ride height.

Adaptive Damping System (standard).

The Adaptive Damping System (ADS) responds automatically to changes in road surface, payload and driving style. It provides a comfort-orientated set-up for normal driving, but reacts within 50 milliseconds to significant changes in the vehicle's dynamics – such as a sudden change of direction, or the application of the brakes. The ADS control unit uses data from the steering angle sensor, three acceleration

sensors, the speedometer, the brake pedal switch and the ESP® system to constantly recalculate the damping requirements for each wheel. In addition, the damping levels can be altered manually at the touch of a button, enabling you to switch between 'Auto', 'Sport' and 'Comfort' according to your mood.



The Adaptive Damping System (ADS) automatically adjusts the damper settings as you drive

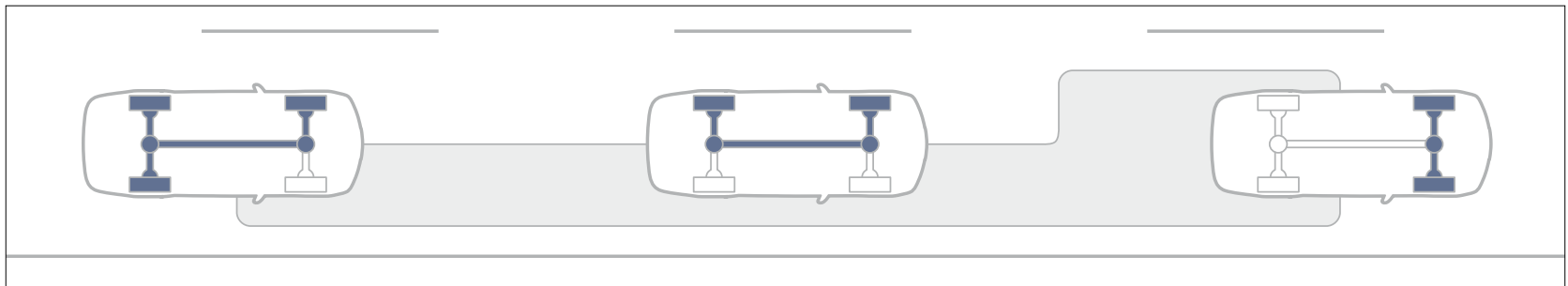
Four-wheel drive systems

The GL's permanent four-wheel drive system offers optimum traction and enhanced stability – be it in rough terrain or on poor road surfaces.

4MATIC all-wheel drive with 4ETS (standard). With its combination of 4MATIC all-wheel drive, muscular engines and 7G-Tronic automatic transmission, the GL delivers excellent performance in any terrain. Permanent four-wheel drive ensures the GL is always ready to cope with wet, icy or snowy conditions, while the

system's effectiveness is further enhanced by the Electronic Stability Programme (ESP®) and the Four-Wheel Electronic Traction System (4ETS) with integrated ABS and Acceleration Skid Control (ASR). In the event of wheelspin, 4ETS brakes the affected wheel and redistributes the torque to wheels with

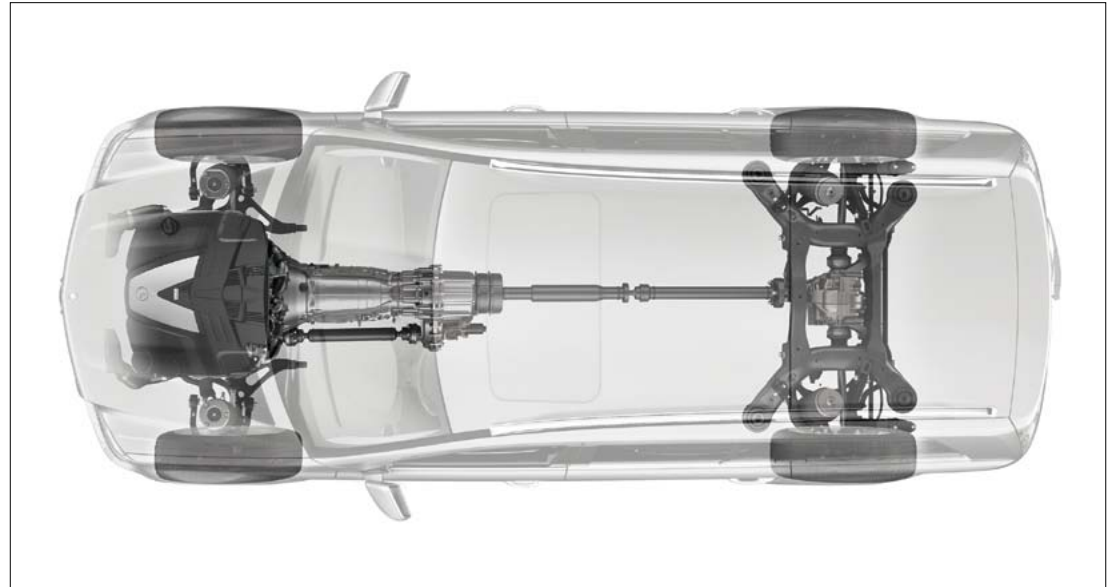
more grip. These automatic braking interventions increase stability in critical manoeuvres and enable the car to pull away strongly, especially on difficult or slippery surfaces, without the use of conventional locking differentials.



The Four-Wheel Electronic Traction System (4ETS) transfers torque to the wheels with the most grip

The 4MATIC four-wheel drive system features a two-speed transfer case that's directly connected to the transmission. From there, two Cardan shafts with constant-velocity joints distribute the engine's torque equally (in normal circumstances) between the front and rear axles, with a bevel differential providing rotational speed compensation.

For off-road use, the two-speed transfer case enables the driver to engage a special low-range gear. This additional ratio gives you greater power and more traction on unmade surfaces, making it easier to climb slopes or pull heavy loads.



A perfect team: the 4MATIC all-wheel drive system works in harmony with ESP® and 4ETS

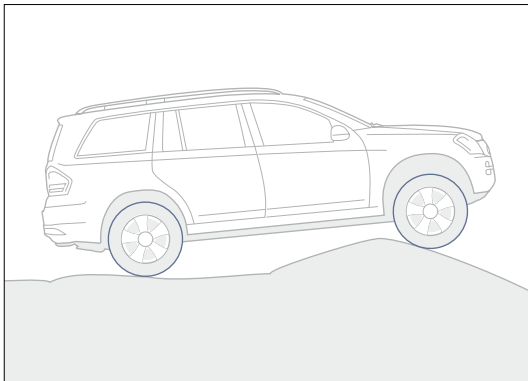
Off-road ability

Be it smooth tarmac or tough trails, the GL masters almost any terrain.

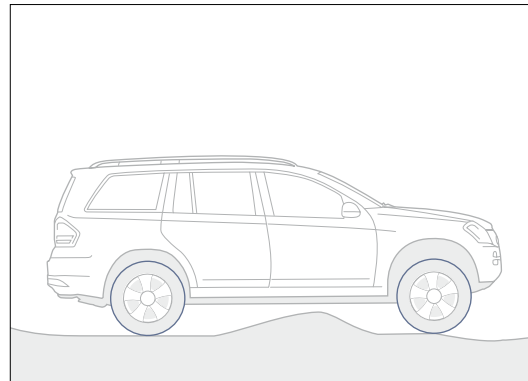
Off-Road Pro Package (standard). With the GL, you can leave busy roads and beaten tracks behind. In addition to 4MATIC all-wheel drive and 4ETS, it comes with a standard Off-Road Pro Package that makes it even better equipped for traversing rough terrain. The package includes an off-road ABS system that reduces

stopping distances on descents, especially on loose surfaces, a Hill Start Assist function that ensures you can pull away easily on inclines and Downhill Speed Regulation (DSR), which increases safety on steep descents by allowing you to select a preset maximum speed.

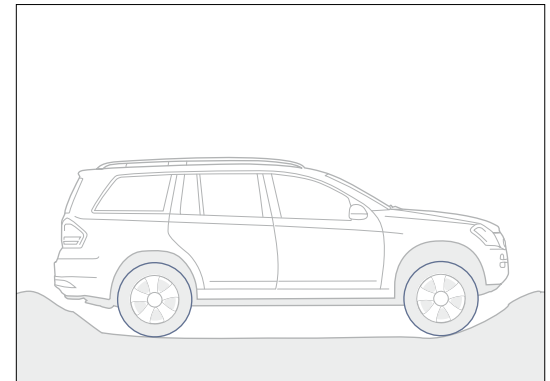
A major factor in the GL's exceptional off-road ability is its suspension design, which features double wishbones at the front and a four-link set-up at the rear. In addition, its self-supporting subframes ensure jolts are not transferred to the vehicle's body, significantly increasing comfort for its occupants.



Maximum ramp angle: 23%

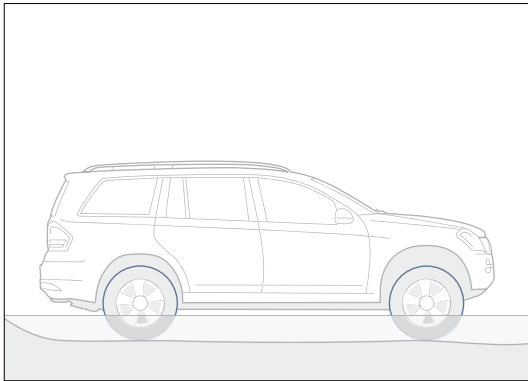


Maximum ground clearance: 307 mm



Maximum approach/departure angle: 33°/27°

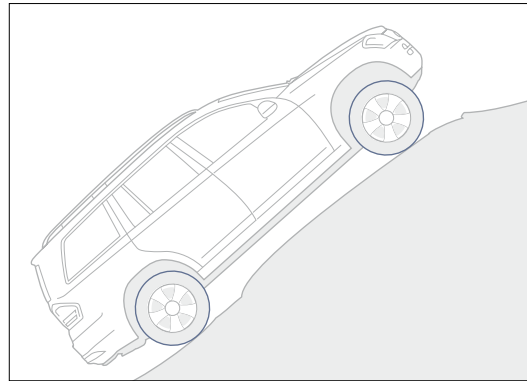
The AirMATIC air suspension system can be raised to give the GL a ground clearance of 307 mm and a maximum fording depth of 600 mm, ensuring shallow streams and stony ground can be tackled with confidence. The ESP® and 4ETS systems also adapt to the requirements of rough terrain driving,



Maximum fording depth: 600 mm

reprogramming the timing of braking interventions in off-road driving and raising the 7G-Tronic transmission's shift points.

The GL is equipped to withstand the physical rigours of off-roading too, its tough six-piece plastic underbody guard and strengthened steel



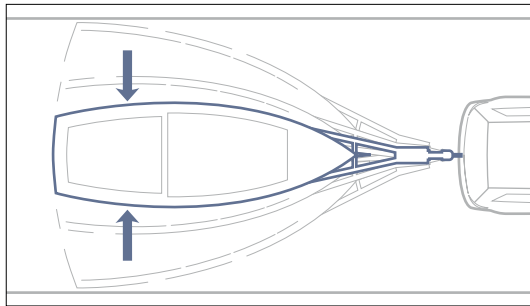
Maximum gradient: 100% (surface permitting)

front underguard helping to protect against chips and knocks.

Safer driving

The GL comes equipped with electronic safety systems that can intervene in potentially dangerous situations and help to avoid accidents.

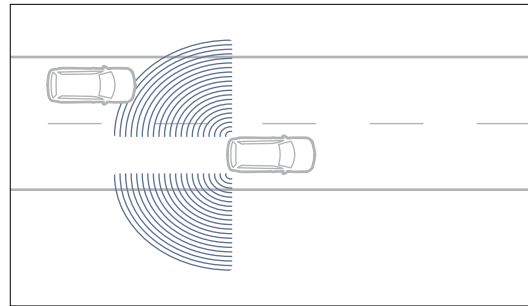
ESP® with Trailer Stability Assist (standard). The GL's Electronic Stability Programme (ESP®) includes Trailer Stability Assist, an additional function that makes for safer driving when towing. It intervenes automatically if the sensors detect the onset of trailer sway, briefly



Trailer Stability Assist makes for safer towing

applying the brakes to individual wheels in order to counter the sideways motion.

Distronic (optional). At speeds of between 0 and 124 mph, Distronic radar-assisted cruise control automatically maintains a preset distance from

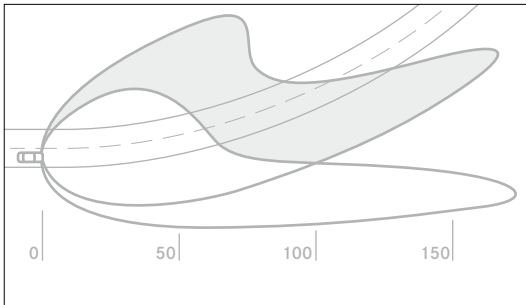


Blind Spot Assist warns the driver of potentially dangerous lane changes

the vehicle in front. This makes driving on multi-lane roads significantly more relaxing and also means less pedal work in stop/start traffic. If the system detects that the vehicle in front is too close, it automatically adjusts your acceleration or applies the brakes. As soon as the road is clear, it accelerates again until the preset cruising speed is reached.

Blind Spot Assist (optional). Radar sensors monitor the zones to the side of and behind the vehicle. If the direction indicator is activated and another vehicle is identified in the monitored area, a visual and audible warning alerts the driver.

Intelligent Light System with LED daytime running lights (optional as part of the Sports Styling Package, standard on GL500). The Intelligent Light System with bi-xenon headlamps recognises different types of road and adjusts the beams automatically, increasing the dipped beam



The Active Light System ensures bends are effectively illuminated even on dipped beam

range by up to ten metres on country roads, for instance, and by up to 50 metres on motorways. It also includes a cornering light function and the Active Light System, which angles the beams in bends as well as a fog mode that improves illumination of the driver's side of the road



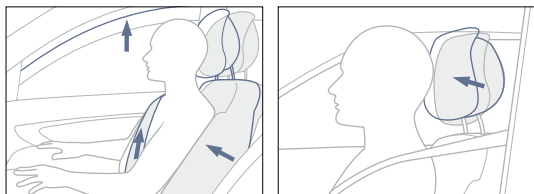
LED daytime running lights combine safety and style

while reducing dazzle for oncoming drivers. Fitted together with the Intelligent Light System, the LED daytime running lights consist of two chrome-trimmed strips of seven LEDs in the front apron. They give the GL a highly distinctive look and also enhance safety in dim light.

Occupant protection

If an accident seems likely or unavoidable, the GL does everything it can to optimise the safety of its occupants.

Pre-Safe® System (standard). If an accident appears imminent, Pre-Safe® takes measures that can help to protect the occupants, such as activating the reversible seat belt tensioners and closing the optional electric sunroof (if fitted) as well as any windows that may be open. By using sensor data from systems such as Brake Assist (BAS) and the Electronic Stability Programme (ESP®), Pre-Safe® is able to recognise potentially critical situations such as understeer or oversteer or emergency braking.

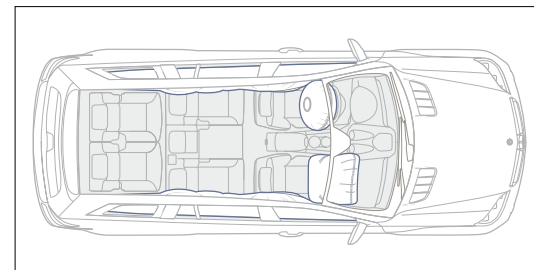


Pre-Safe® uses the valuable seconds before an impact to optimise occupant protection. The optional comfort front head restraints feature flexible side bolsters that can be adjusted by hand

Three-point seat belts (standard). The GL features three-point seat belts with pre-tensioners and belt force limiters for the front and outer rear seats. The front seat belts also come with Pre-Safe® lap belt pre-tensioners. Once activated, they automatically tense the front seat belts at the start of the journey, without restricting the occupants' comfort.

Neck-Pro head restraints (standard). The Neck-Pro active head restraints improve protection for the front seat occupants. If the system detects a rear-end collision, they are raised approximately 30 mm and moved forward about 40 mm, ensuring the head is better supported and reducing the risk of whiplash injuries. For even greater side support, comfort front head restraints with flexible side bolsters are available as an option.

Airbag system (standard). To further reduce the risk of injury to the occupants, the GL is fitted with six airbags as standard. Driver and front seat passenger benefit from dual-stage front airbags as well as sidebags in the front seat backrests, and there are large windowbags on each side that offer extra protection for front and rear seat occupants, including those in the optional third row. Rear sidebags for the second row of seats can also be added as an option.



Front airbags and sidebags are fitted as standard along with windowbags for all three seat rows

Ambient interior lighting

The new ambient lighting for the GL cabin creates an even more exclusive night-time look.

Ambient interior lighting (optional). At night, the new ambient interior lighting makes the cabin feel even roomier and more inviting, while also helping occupants to see around the cabin when travelling in the dark. It comprises LED strips in the dashboard and doors and offers a choice of five brightness levels. The ambient interior lighting comes on as soon as the doors are opened or the headlamps are switched on, but can also be activated manually. Once all the doors are closed, the LEDs are automatically dimmed.



The ambient interior lighting comprises narrow strips of LEDs in the dashboard and doors and offers a choice of five brightness levels that can be selected via the menu in the instrument display

Multimedia systems

The GL can direct you to your destination and keep you entertained all the way – courtesy of the COMAND multimedia system. For maximum listening pleasure, combine it with the Harman Kardon® Logic 7® surround sound system.

COMAND multimedia system (standard). The COMAND multimedia system brings together a wide range of audio, communication and navigation features. In addition to hard drive-based navigation with high-resolution maps and dynamic route guidance, it comes with a 6-disc CD/DVD changer and a Media



COMAND combines entertainment, communication and navigation in one multimedia system

Interface for connecting MP3 players or other external devices. There's also up to 4 GB of space for your MP3 or WMA music files on the system's hard drive, plus an SD card slot. All information is displayed on a central 6.5-inch colour screen and many of the functions can be operated via Linguatronic voice control.

Harman Kardon® Logic 7® surround sound system (optional). The twelve-speaker 610-watt surround sound system offers a truly first-class listening experience. Its integral subwoofer, 9-channel amplifier with digital signal processing (DSP) and 3D sound in Dolby Digital 5.1 guarantee maximum audio quality, while the speed-sensitive volume adjustment ensures the sound remains consistent throughout the journey.

Electronic assistants

For safer, more stress-free manoeuvring, the GL is available with electronic assistants such as a reversing camera and the Parktronic parking aid.

Parktronic (standard). The Parktronic parking aid makes for easier manoeuvring in tight spaces. As soon as it detects another vehicle or object in the immediate vicinity, it alerts the driver via a visual warning. If the distance from the object drops to below 35 cm, it emits an



Parktronic helps you to correctly judge distances when parking

additional warning sound. The system works in the same way as an echo sounder, its ten sensors emitting ultrasound signals that bounce off any objects in their path.



The reversing camera captures the area immediately behind the car

Reversing camera (optional). The GL is also available with a rear-mounted reversing camera that makes for even safer parking. Activated automatically as soon as reverse is engaged, it uses a wide-angle lens below the tailgate handle to capture the hard-to-see area immediately behind the car. This image data is then displayed on the central COMAND screen, giving the driver a clearer picture of what's behind the vehicle when reversing.

Climate control

The right cabin climate makes for a relaxed, alert driver and contented passengers. Which is why the GL lets everyone choose their own individual temperature settings.

Automatic climate control (standard on GL 350 CDI BlueEFFICIENCY, not available on GL 450 CDI and GL 500). The standard climate control system automatically maintains your chosen cabin temperature and air flow settings, even compensating for bright sun via a windscreen-

mounted sensor that measures the intensity and angle of sunlight. In addition, it includes separate air vents for rear seat passengers, as well as a chilled glove compartment, an air recirculation function, and a combined dust and activated charcoal filter that also captures particulates.

Luxury automatic climate control (optional). With luxury automatic climate control, which comes as standard on the GL 450 CDI and GL 500, everyone can determine their own individual temperature and air flow settings. It includes separate controls and displays for those in the rear, plus extra vents in the B-pillars and an additional fan below the centre console. It also keeps the cabin largely free of odours and pollutants and maintains an appropriate level of humidity in order to ensure the occupants can always breathe naturally.



The luxury automatic climate control system is intuitive and easy to use

Seats

The luxurious GL seats meet the very highest standards of comfort and ergonomics. With the standard third seat row, they also enable it to carry up to seven occupants.

Multi-contour front seats (optional on GL 350 CDI BlueEFFICIENCY as part of the Luxury Seat Package, standard on GL 450 CDI and GL 500). By adapting to the body shape of each individual occupant, the multi-contour seats guarantee exceptional long-distance comfort. Electrically adjustable for fore/aft position and backrest angle as well as for seat height and angle, the seats feature individual air chambers in the side bolsters and lumbar area that increase support automatically when required.

Comfort-ventilated front seats (stand-alone option). Available in conjunction with leather or nappa leather upholstery, these air-conditioned front seats offer you a choice between active seat ventilation and one of three different heat settings.

Memory Package (optional on GL 350 CDI BlueEFFICIENCY as part of the Luxury Seat Package, standard on GL 450 CDI and GL 500). The Memory Package enables you to store and recall up to three different positions for the front seats, steering column and exterior mirrors, making it the ideal addition to the standard fully electrically adjustable front seats. The controls are conveniently located on the sides of seats.



The multi-contour front seats are ergonomic and exceptionally comfortable

Rear seats. The second row of seats offers high levels of comfort, four-stage backrest angle adjustment and, if the heated seats option is fitted, three different heat settings. The entire row splits and folds $\frac{1}{3}:\frac{2}{3}$ and comes with an Easy-Entry function that aids access to the third row of seats. The GL can accommodate up to seven occupants; when required, the third row can be electrically folded to maximise luggage space.



Rear seat passengers enjoy high levels of comfort, ensuring stress-free long journeys

Load compartment

The GL's spacious interior and intelligent Easy-Pack features make it an exceptionally capable load carrier.

Load capacity. With a length of 5,099 mm and a height of 1,840 mm, the GL is perfectly built for carrying large loads. Those exterior dimensions translate to a huge 2,300 litres of load space with the rear seats folded forward. Even with just the third row folded flat, there's an impressive 1,240 litres of space. Both the second and third row of seats fold away completely, the third row even does so electrically. With all three seat rows in place, there's space for up to seven occupants and 360 litres of luggage.



The Easy-Pack powered tailgate opens at the touch of a button

Easy-Pack powered tailgate (standard). The electro-hydraulic Easy-Pack tailgate opens and closes at the touch of a button. It can also be stopped in any position – to avoid hitting low garage ceilings, for instance.



The GL's load compartment can be varied to suit your needs

AMG alloy wheels

The optional AMG alloy wheels with front and rear wheel arch extensions make for an even sportier-looking GL.



Available as an option for all models, the new 21" AMG 5-spoke alloy wheels lend an extra touch of exclusivity to your GL. Measuring 10 × 21 ET 37, they wear 295/40 R21 tyres and come with front and rear wheel arch extensions that further enhance the muscular appeal.

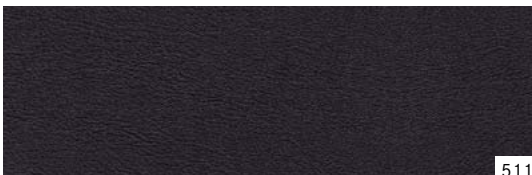
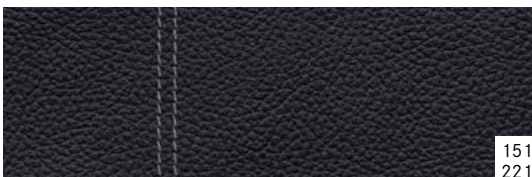
Burnished 21" AMG 5-spoke alloy wheels with front and rear wheel arch extensions are available as an option

Upholstery and trim





The Black interior scheme features Artico artificial leather for the GL 350 CDI BlueEFFICIENCY, leather for the GL 450 CDI (both with contrast stitching) and nappa leather for the GL 500. On all models, the carpets, door centre panels, dashboard and centre console trim come in Black, with the dashboard and door panels trimmed in Artico artificial leather.



BLACK

151 Artico artificial leather (with contrast stitching)¹

221 Leather (with contrast stitching)²

511 Nappa leather³

TRIM

729 Anthracite Poplar wood with chrome⁴

731 Burr Walnut wood with chrome⁵

H02 Pale Birch wood with chrome⁶

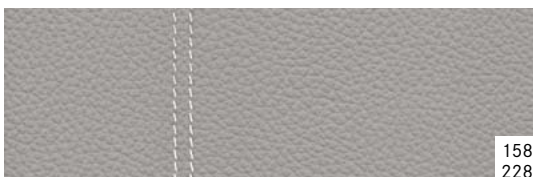
H04 Bird's-Eye Poplar wood¹

¹Standard on GL 350 CDI BlueEFFICIENCY ²Standard on GL 450 CDI, optional on GL 350 CDI BlueEFFICIENCY ³Standard on GL 500, optional on GL 350 CDI BlueEFFICIENCY and GL 450 CDI ⁴Optional on all models

⁵Standard on GL 450 CDI and GL 500, optional on GL 350 CDI BlueEFFICIENCY ⁶Optional on all models (special order only)



The Alpaca Grey interior scheme features Artico artificial leather for the GL 350 CDI BlueEFFICIENCY, leather for the GL 450 CDI (both with contrast stitching) and nappa leather for the GL 500. On all models, the door centre panels, lower dashboard and centre console trim come in Alpaca Grey, with Dark Alpaca Grey for the upper dashboard and carpets. The dashboard and door panels are trimmed in Artico artificial leather.



ALPACA GREY

- 158 Artico artificial leather (with contrast stitching)¹
- 228 Leather (with contrast stitching)²
- 518 Nappa leather³

TRIM

- 729 Anthracite Poplar wood with chrome⁴
 - 731 Burr Walnut wood with chrome⁵
 - H02 Pale Birch wood with chrome⁶
 - H04 Bird's-Eye Poplar wood¹
-



The Cashmere Beige interior scheme features Artico artificial leather for the GL 350 CDI BlueEFFICIENCY, leather for the GL 450 CDI and nappa leather for the GL 500. On all models, the carpets and the door centre panels, lower dashboard and centre console trim come in matching Cashmere Beige, with the upper dashboard and door trim at beltline in Dark Java. The dashboard and door panels are trimmed in Artico artificial leather.

154
224

729



731



514



H02



H04

CASHMERE BEIGE

154 Artico artificial leather (with contrast stitching)¹224 Leather (with contrast stitching)²514 Nappa leather³

TRIM

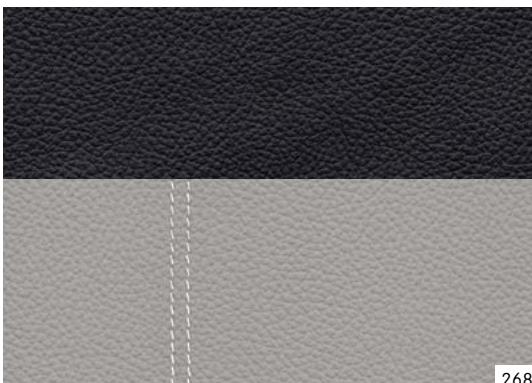
729 Anthracite Poplar wood with chrome⁴731 Burr Walnut wood with chrome⁵H02 Pale Birch wood with chrome⁶H04 Bird's-Eye Poplar wood¹

¹Standard on GL 350 CDI BlueEFFICIENCY ²Standard on GL 450 CDI, optional on GL 350 CDI BlueEFFICIENCY ³Standard on GL 500, optional on GL 350 CDI BlueEFFICIENCY and GL 450 CDI ⁴Optional on all models

⁵Standard on GL 450 CDI and GL 500, optional on GL 350 CDI BlueEFFICIENCY ⁶Optional on all models (special order only)



The Black/Alpaca Grey interior scheme features leather upholstery as standard on the GL 450 CDI (optional on the GL 350 CDI BlueEFFICIENCY). On all models, the door centre panels, lower dashboard and centre console trim come in Alpaca Grey, with the carpets, door trim at beltline and upper dashboard trim in Black. The dashboard and door panels are trimmed in Artico artificial leather.



268



729



731



H02



H04

BLACK/ALPACA GREY TWO-TONE

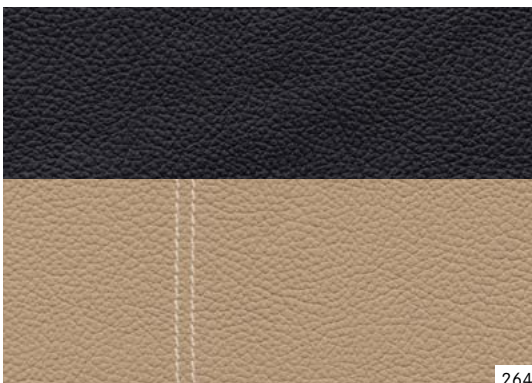
268 Leather (with contrast stitching)¹

TRIM

729 Anthracite Poplar wood with chrome²731 Burr Walnut wood with chrome³H02 Pale Birch wood with chrome⁴H04 Bird's-Eye Poplar wood⁵



The Black/Cashmere Beige interior scheme features leather upholstery as standard on the GL 450 CDI (optional on the GL 350 CDI BlueEFFICIENCY). On all models, the door centre panels, lower dashboard and centre console trim come in Cashmere Beige, with the carpets, door trim at beltline, upper dashboard trim and roof lining in Black. The dashboard and door panels are trimmed in Artico artificial leather.



264



729



731



H02



H04

BLACK/CASHMERE BEIGE TWO-TONE

264 Leather (with contrast stitching)¹

TRIM

729 Anthracite Poplar wood with chrome²

731 Burr Walnut wood with chrome³

H02 Pale Birch wood with chrome⁴

H04 Bird's-Eye Poplar wood⁵

¹ Standard on GL450 CDI, optional on GL 350 CDI BlueEFFICIENCY ² Optional on all models ³ Standard on GL 450 CDI and GL 500, optional on GL 350 CDI BlueEFFICIENCY

⁴ Optional on all models (special order only) ⁵ Standard on GL 350 CDI BlueEFFICIENCY

⁴ Optional on all models (special order only)

Standard equipment | Selection



The GL's ride height can be raised or lowered via a dial in the centre console



The instruments feature chromed-ringed cowls, white needles and 3D scales



The LED tail lights make for an even more striking rear



COMAND multimedia system



A stainless steel simulated underguard further enhances the GL's rugged looks



Chrome exterior trim comes as standard and includes bright silver louvres for the radiator grille

Optional extras | Selection



The wood- and leather-trimmed multi-function steering wheel adds a luxurious look and feel



The optional comfort front head restraints offer extra side support (part of the Luxury Seat Package for GL 350 CDI BlueEFFICIENCY, or stand-alone option for the GL 450 CDI and GL 500)



Chrome cross-bars on roof rails and privacy glass



The rear seat entertainment system includes 8-inch colour screens for watching DVDs or playing games consoles



Aluminium-look running boards



LED daytime running lights are fitted as part of the Sports Styling Package, along with the Intelligent Light System

Alloy wheels



21" AMG 5-spoke alloy wheels with wheel arch extensions (optional)



19" 5-spoke alloy wheels (standard)



20" 5-twin-spoke alloy wheels (optional)



19" incenio 'Perim' burnished 10-spoke design wheels in Titanium Silver or two-tone/Black



20" incenio 'Tomeko' burnished 10-spoke design wheels in two-tone/Black



20" incenio 'Recheo' high-sheen 5-spoke design wheels in Titanium Silver or two-tone/Black

Retailer-fit accessories

For a GL that's even more practical and individual, choose from the wide range of Retailer-fit accessories. → www.mercedes-benz.co.uk/accessories

With its exceptional space and versatility, the GL is ideally equipped to meet the demands of an active life. What's more, our Retailer-fit accessories enable it to master an even wider range of tasks. The Mercedes-Benz roof boxes add extra carrying capacity and come in three different sizes (330, 400 and 450 litres), while the ski and snowboard rack turns your GL into the ideal companion for Alpine expeditions. Our roof boxes and racks are compatible with most of the Retailer-fit carrier bars, which can be attached to the standard-equipment roof rails. Please check with your local Official Workshop for more information.

Exclusive styling accessories are of course also available. They include chromed door handle

recesses that not only add extra exclusivity but also protect the bodywork from scratches.

For maximum music choice, there's the Mercedes-Benz iPod® Interface Kit for your GL's glove compartment. The interface integrates your iPod® with the in-car audio system and enables it to be operated via the buttons on the multi-function steering wheel. The GL gives you freedom of choice when it comes to your mobile too, thanks to Retailer-fit phone holders for a wide variety of handsets. They simply click into place ready to take your phone and can be swapped just as easily should you change handsets. The phone can then be operated via the multi-function steering wheel and the call information viewed in the multi-function display. These functions require the optional

telephone pre-wiring with hands-free facility (option code 386).



Chromed door handle recesses add an exclusive touch



The optional crossbars accent the sporty appearance of the GL-Class

Following the star

Mercedes-Benz World at Brooklands. Celebrate the story of Mercedes-Benz and you'll celebrate the story of motoring itself at Mercedes-Benz World in Surrey. A World of experiences. A World of discoveries. A World you will love to explore. Discover Mercedes-Benz racing heritage, its connections to the famous Brooklands circuit and to legendary drivers. View, touch and sit in every car from the Mercedes-Benz range, and encounter automotive legends like the 'Gullwing', in the UK's largest Mercedes-Benz showcase. Then set your pulse racing by booking one of our thrilling Driving Experiences. Enjoy AMG performance on the purpose-built Handling Circuits or Wet Skid Circle, an axle-twisting off-road adventure, or treat your kids to their own drive in an A-Class if they are over 1.5 metres tall. For more interactive action, take a virtual journey along the production line in 'Build' or take a seat in the cinema and accelerate from the birth of the car to the latest innovations in 20 eye-opening minutes.

Relax and refuel in Café 1886, or for a gourmet treat enjoy the first-class menu and elegant surroundings of the Gullwing Restaurant. Finally, extend your visit with a short stroll to Brooklands Museum to see their collection of classic cars, aviation exhibitions – and the legendary Concorde. For more information visit www.mercedes-benzworld.co.uk

Mercedes-Benz Museum. More than 120 years of automotive history in one place – the Mercedes-Benz Museum in Stuttgart-Untertürkheim. With a total exhibition area of 16,500 m², it transports the visitor into a fascinating world of automotive achievement. You can see the first modern motor car, the Mercedes Simplex, discover over 100 years of motor-racing history, and, of course, admire our classics, such as the 'Gullwing' and the 'Tail Fin'. Legendary cars such as these have always occupied a special place in the hearts of car enthusiasts. Now they have a special place

of their own in the Mercedes-Benz Museum. We look forward to welcoming you there soon.

Roadside Assistance. Rest assured that should you ever need help, Mercedes-Benz Roadside Assistance is there for you. In the unlikely event of a technical breakdown¹ you can rely on the Mercedes-Benz Roadside Assistance Team – anywhere in Europe. Simply phone our Customer Assistance Centre on 00800 1 777 7777;² where our specialists will organise assistance for you. Mercedes-Benz will also assist you in the event of a minor mishap preventing you from driving your vehicle.³ Whether you lose your key, run out of fuel or your vehicle is damaged due to an accident or vandalism, Mercedes-Benz ensures that you still reach your destination. Often the problem can be rectified on the spot, but if this is not possible, we will naturally ensure that your vehicle is taken to the nearest Mercedes-Benz Official Workshop to get you back on the road as quickly as possible.

Mercedes-Benz Finance. At Mercedes-Benz Finance, our single-minded aim is to provide optimum financial solutions for all those who share the Mercedes-Benz philosophy of absolute commitment to quality. Whether you are a private customer or a business user, our finance and leasing packages can be tailored to meet your individual needs.

Mercedes-Benz Insurance offers a fully comprehensive 5 star⁴ motor insurance policy specifically designed to give you the cover you would expect from Mercedes-Benz. For a quotation, please call 0845 600 2180.⁵ For further information on any Mercedes-Benz Finance or Mercedes-Benz Insurance products, please contact your local Mercedes-Benz Retailer.

Test drive. A Mercedes-Benz is most at home on the road. This is the only way to experience the effortlessly superior driving feel that lends every Mercedes model its inimitable class. Feel the power of efficient engines with low fuel consumption, and precise steering designed to put you in the mood for driving. And experience what true comfort really feels like. The unique feeling of driving a Mercedes cannot be put into words, however. Which is precisely why we'd like to invite you to take a test drive. Your Mercedes-Benz Retailer will be happy to make all the necessary arrangements for you. Simply visit www.mercedes-benz.co.uk/testdrive to request a test drive. We look forward to seeing you.

Interactive Owner's Manual. The website also offers an interactive tour, enabling you to take a closer look at your desired model. This simulation is the ideal way to acquaint yourself with your dream car. You can view key functions in detail, gain an insight into the car's inner workings or look at the benefits of each model. For further details, visit www.mercedes-benz.co.uk/glclassmanual

¹Technical breakdown cover is initially valid for your vehicle for four years from the date of first registration. This can be extended from the fifth year, up to a maximum of 30 years, on completion of each scheduled maintenance service, providing that this service is carried out by a Mercedes-Benz Official Workshop

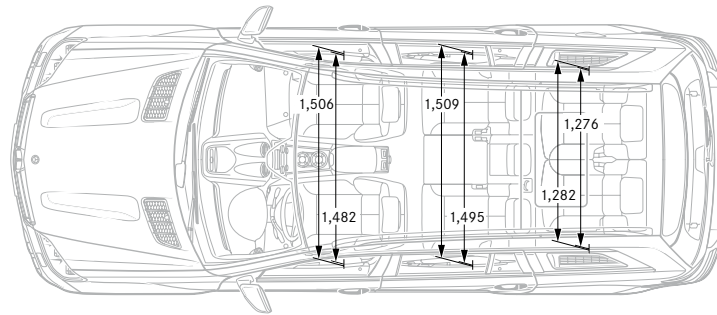
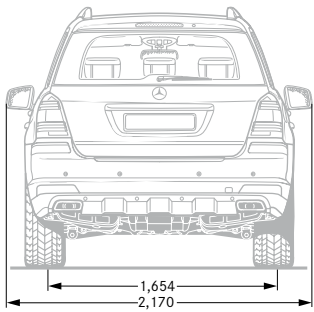
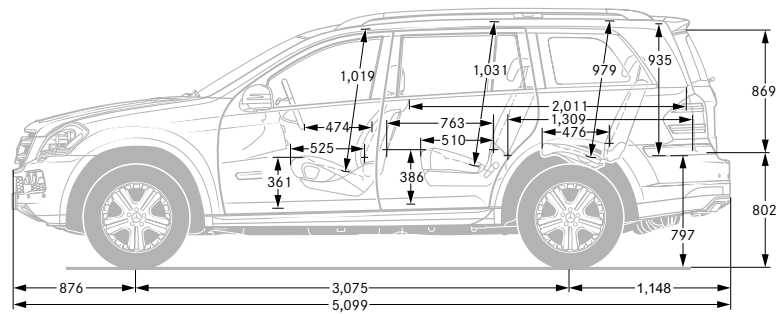
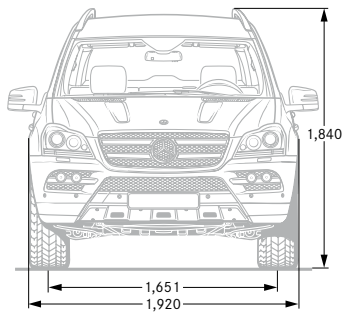
²In non-affiliated European countries: +49 20 7975 7077

³This cover can be retained from the fifth year. Your Mercedes-Benz Official Workshop will provide details of how to renew this cover once your initial four year term has expired

⁴As rated 5 by Defaqto, a leading independent financial research company. Mercedes-Benz Motor Insurance is underwritten by Aviva Insurance UK Limited

⁵Calls are charged at local rate and may be recorded

Dimensions



All measurements in millimetres. The dimensions shown are mean values and apply to standard-specification, unladen vehicles

Technical data

No. of cylinders/arrangement	
Total displacement	cc
Rated output ¹	hp (kW) at rpm
Compression ratio	
Rated torque ¹	Nm at rpm
Acceleration from 0–62 mph	sec
Top speed, approx.	mph
Tyre size front/rear	
Fuel consumption ²	mpg
urban	
extra-urban	
combined	
CO ₂ emissions ² combined	g/km

DIESEL ENGINES

GL 350 CDI BlueEFFICIENCY

GL 450 CDI

PETROL ENGINE

GL 500

6/V	8/V	8/V
2,987	3,996	5,461
265 (195)/3,800	306 (225)/3,600	388 (285)/6,000
17.7	17.0	10.7
620/1,600–2,400	700/2,200–2,600	530/2,800–4,800
7.9	7.6	6.5
140	143	149
275/55 R 19	275/55 R 19	275/55 R 19
24.4	18.1	15.0
36.2	30.7	26.6
30.7	24.4	20.8
242–254/EU5	307–313/EU4	317–322/EU5

		DIESEL ENGINES		PETROL ENGINE
		GL 350 CDI BlueEFFICIENCY	GL 450 CDI	GL 500
Tank capacity/incl. reserve, approx.	l	100/13	100/13	100/13
Load capacity	l			
Max. with 2 seat rows		1,240	1,240	1,240
Max. with 1 seat row		2,200	2,200	2,200
Turning circle diameter	m	12.1	12.1	12.1
Kerb weight ³	kg	2,505	2,585	2,480
Perm. GVW	kg	3,250	3,250	3,250

¹ Figures according to Directive 80/1269/EEC in the currently applicable version

² The figures shown were obtained in accordance with the prescribed measuring process (Directive 80/1268/EEC in the currently applicable version). The figures are not based on an individual vehicle and do not constitute part of the product offer; they are provided solely for purposes of comparison between different vehicle models and are subject to change. Figures are based on standard wheel specification. Please check with your local Retailer for the latest figures

³ Figures according to Directive 92/21/EC, version 95/48/EC (kerb weight with fuel tank 90% full, driver, 68 kg, and luggage, 7 kg) for standard-specification vehicles. Optional extras and accessories will generally increase this figure and reduce the payload capacity accordingly

Paint finishes

The innovative Mercedes-Benz paint system features one of the finest clearcoats of any manufacturer. Its exceptionally dense molecular structure makes the paintwork more durable and lends it a deeper, more lasting sheen, helping your GL to retain both its looks and its long-term value.

NON-METALLIC PAINT (standard)

040 Black

650 Calcite White

METALLIC PAINT (optional)

197 Obsidian Black

359 Tansanite Blue

474 Peridot Brown

755 Tenorite Grey

775 Iridium Silver

792 Palladium Silver

799 Diamond White

NON-METALLIC PAINTS



METALLIC PAINTS



Take-back of end-of-life vehicles. Coming full circle. At the end of its long life, you can return your GL-Class to us for environment-friendly disposal in accordance with the EC End-of-Life Vehicle Directive.¹ But that day lies a long way off.

¹Applies in accordance with national regulations to vehicles up to 3.5 t permissible gross weight. The GL-Class has met the statutory regulations governing the suitability of the vehicle's design for reuse and recycling for a number of years now. A network of vehicle take-back depots and dismantlers has been established which will process your vehicle in an environment-friendly manner. The ways in which both vehicles and parts can be recovered are subject to ongoing development and improvement. Consequently, the GL-Class will be able to comply with any future increases in the recycling quota within the stipulated time limits. Further information is available at www.mercedes-benz.co.uk or by calling 0808 156 6606.

Please note: this online version of the printed brochure may contain abridged copy or other content changes. The manufacturer reserves the right to make changes to the design, form, colour and specification during the delivery period, provided these changes, while taking into account the interests of the vendor, can be deemed reasonable with respect to the purchaser. Where the vendor or the manufacturer uses symbols or numbers to describe an order or the subject of an order, no rights may be derived solely from these. The illustrations may show accessories and items of optional equipment which are not part of standard specification. Colours may differ slightly from those shown. This brochure provides a general indication of the range of models, features, optional extras and/or colours available in various countries. Some of the models, features, optional extras and/or colours shown may not be available in your country or may only be available in a different specification. Additionally, some models, features, optional extras and/or colours may only be available in combination with others. For current and more specific information in relation to the range of models, features, optional extras and/or colours available in your country, and their pricing, you should contact your nearest authorised Mercedes-Benz Retailer. E&OE.
www.mercedes-benz.co.uk

Daimler AG, Stuttgart BC/MR 6701 · 1236 · 88-04/1210