



> View offers



> Book a test drive



> Find a Retailer



> View the Range Guide

B-Class



Effective from 1 September 2015.

Mercedes-Benz



Contents

Model prices	10	Pricing summary for Executive, Premium and Premium Plus packages	30	Colours and materials	42
Finance offers	12	Driving Assistance package	31	Technical data	46
Model lines	14	Exclusive package	32	Road Fund Licence	50
Standard equipment	20	AMG Exclusive package	33	Services and insurance	51
Wheels	25	Night package	34	Mercedes me	52
Executive package	27	Optional equipment	35	Mercedes-Benz Finance	54
Premium package	28	Genuine Accessories	38		
Premium Plus package	29				

The hard facts to melt your heart

At Mercedes-Benz we appreciate the importance of detail. Over the following pages you'll find model prices and a breakdown of standard and optional equipment, as well as details of the comprehensive services and benefits that are available to every Mercedes-Benz driver.

See Mercedes-Benz in a new light. Now is the time to get yourself behind the wheel of an B-Class. Choose from a number of attractive finance offers. Please see pages 12-13 for further details, or visit www.mercedes-benz.co.uk/offers

Of course, some things have to be experienced to be truly appreciated, such as the qualities that set a Mercedes-Benz apart. Which is why we'd like to invite you for a test drive at your local Mercedes-Benz Retailer. Alternatively, you can make arrangements by visiting www.mercedes-benz.co.uk/testdrive

For more information visit www.mercedes-benz.co.uk or call 0333 222 0500.



> View offers



> Book a test drive



> Find a Retailer



> View the Range Guide

4



Some of the model features, optional extras and colours shown may not be available, or may only be available in a different specification.



> View offers



> Book a test drive



> Find a Retailer



> View the Range Guide



Some of the model features, optional extras and colours shown may not be available, or may only be available in a different specification.



> View offers



> Book a test drive



> Find a Retailer



> View the Range Guide

6



Some of the model features, optional extras and colours shown may not be available, or may only be available in a different specification.



> View offers



> Book a test drive



> Find a Retailer



> View the Range Guide

7



Some of the model features, optional extras and colours shown may not be available, or may only be available in a different specification.



> View offers



> Book a test drive



> Find a Retailer



> View the Range Guide

8



Model features optional equipment at an additional cost.



> View offers



> Book a test drive



> Find a Retailer



> View the Range Guide



Model prices

Engine	Model line	Transmission	CO ₂	Basic RRP excl. VAT (£)	Total RRP incl. VAT (£)	Road Fund Licence (£) ¹	Rec. OTR price (£) ²	P11D value (£)	BiK tax rate 2015/16 (%)
B 180 d Diesel – 1,461cc, 4-cylinder, 109 hp/80kW	SE	6-speed manual	104	18,525.00	22,230.00	0.00	22,900.00	22,845.00	18
		7G-DCT 7-speed automatic ³	104	19,733.33	23,680.00	0.00	24,350.00	24,295.00	18
	Sport	6-speed manual	107	19,354.17	23,225.00	0.00	23,895.00	23,840.00	19
		7G-DCT 7-speed automatic ³	107	20,562.50	24,675.00	0.00	25,345.00	25,290.00	19
	AMG Line	6-speed manual	107	20,433.33	24,520.00	0.00	25,190.00	25,135.00	19
		7G-DCT 7-speed automatic	107	21,641.67	25,970.00	0.00	26,640.00	26,585.00	19
B 200 d Diesel – 2,143 cc, 4-cylinder, 136 hp/100 kW	SE	6-speed manual	109	19,420.83	23,305.00	0.00	23,975.00	23,920.00	19
		7G-DCT 7-speed automatic ³	104	20,629.17	24,755.00	0.00	25,425.00	25,370.00	18
	Sport	6-speed manual	112	20,250.00	24,300.00	0.00	24,970.00	24,915.00	20
		7G-DCT 7-speed automatic ³	106	21,458.33	25,750.00	0.00	26,420.00	26,365.00	19
	AMG Line	6-speed manual	112	21,329.17	25,595.00	0.00	26,265.00	26,210.00	20
		7G-DCT 7-speed automatic ³	106	22,537.50	27,045.00	0.00	27,715.00	27,660.00	19
B 220 d Diesel – 2,143 cc, 4-cylinder, 177 hp/130 kW	Sport	7G-DCT 7-speed automatic ³	108	22,650.00	27,180.00	0.00	27,850.00	27,795.00	19
	AMG Line	7G-DCT 7-speed automatic ³	108	23,729.17	28,475.00	0.00	29,145.00	29,090.00	19
B 220 d 4MATIC Diesel – 2,143 cc, 4-cylinder, 177 hp/130 kW	Sport	7G-DCT 7-speed automatic ³	130	23,900.00	28,680.00	0.00	29,350.00	29,295.00	24
	AMG Line	7G-DCT 7-speed automatic ³	130	24,979.17	29,975.00	0.00	30,645.00	30,590.00	24

Engine	Model line	Transmission	CO ₂	Basic RRP excl. VAT (£)	Total RRP incl. VAT (£)	Road Fund Licence (£) ¹	Rec. OTR price (£) ²	P11D value (£)	BiK tax rate 2015/16 (%)
B 180 Petrol – 1,595 cc, 4-cylinder, 122 hp/90 kW	SE	6-speed manual	129	17,629.17	21,155.00	0.00	21,825.00	21,770.00	21
		7G-DCT 7-speed automatic ³	125	18,837.50	22,605.00	0.00	23,275.00	23,220.00	20
	Sport	6-speed manual	132	18,458.33	22,150.00	130.00	22,950.00	22,765.00	21
		7G-DCT 7-speed automatic ³	127	19,666.67	23,600.00	0.00	24,270.00	24,215.00	20
	AMG Line	6-speed manual	132	19,537.50	23,445.00	130.00	24,245.00	24,060.00	22
		7G-DCT 7-speed automatic ³	127	20,745.83	24,895.00	0.00	25,565.00	25,510.00	21
B 200 Petrol – 1,595 cc, 4-cylinder, 156 hp/115 kW	SE	6-speed manual	130	18,900.00	22,680.00	0.00	23,350.00	23,295.00	21
		7G-DCT 7-speed automatic ³	125	20,108.33	24,130.00	0.00	24,800.00	24,745.00	20
	Sport	6-speed manual	132	19,729.17	23,675.00	130.00	24,475.00	24,290.00	21
		7G-DCT 7-speed automatic ³	127	20,937.50	25,125.00	0.00	25,795.00	25,740.00	20
	AMG Line	6-speed manual	132	20,808.33	24,970.00	130.00	25,770.00	25,585.00	21
		7G-DCT 7-speed automatic ³	127	22,016.67	26,420.00	0.00	27,090.00	27,035.00	20

¹A different first year rate of Vehicle Excise Duty (Road Fund Licence) applies for new cars. Please refer to page 50 for the relevant rate for the second and subsequent years

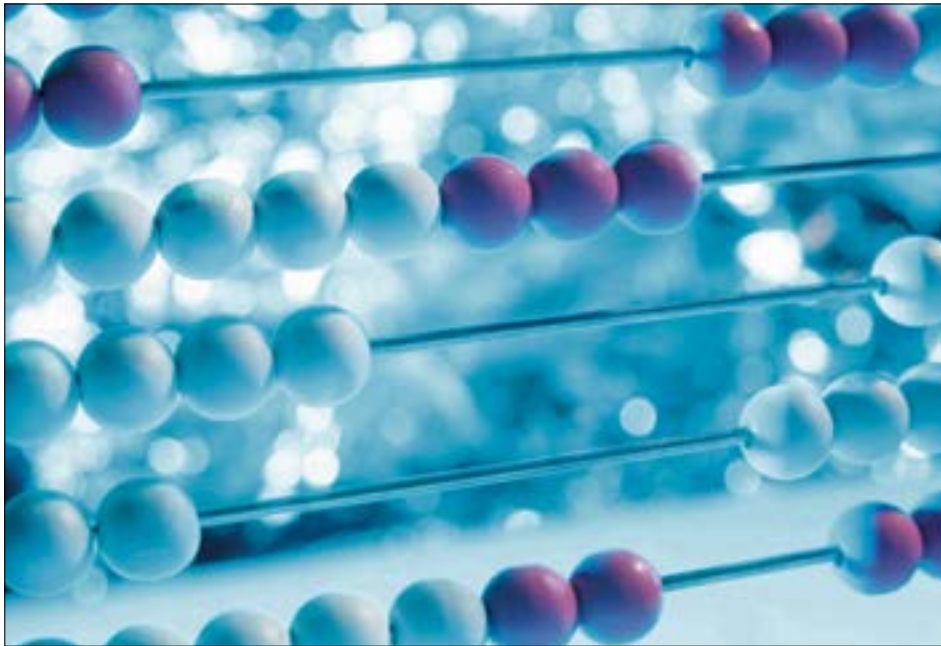
²Recommended on-the-road price: these prices reflect the Road Fund Licence applicable to the standard model plus £670.00 additional costs necessary to put your car on the road.

Included are a standard UK delivery charge (£540.00 incl. VAT), new vehicle registration fee (£55.00), number plates (£25.00 incl. VAT) and fuel (£50.00 incl. VAT). VAT is calculated at the standard rate of 20%

³With SPEEDTRONIC cruise control as standard

Mercedes-Benz Finance

Even the finance offer is beautifully put together



B 180 SE with optional metallic paint (representative example)

36 monthly payments of ¹	£299.00
On-the-road price	£22,400.00
Customer deposit	£2,999.00
Retailer deposit contribution	£1,258.00
Duration of agreement	36 months
Optional purchase payment ²	£9,725.00
Purchase activation fee ²	£10.00
Amount of credit	£18,143.00
Total amount payable ³	£24,756.00
Representative APR	5.7% APR
Fixed interest rate	5.52%

**Example offers –
5.7% APR Representative**

	Metallic	On-the-road price	Retailer deposit contribution	Customer deposit	36 monthly payments of ¹
B 200 d Sport	○	£25,545.00	£1,258.00	£3,145.49	£339.00
B 200 d AMG Line	○	£26,840.00	£1,258.00	£3,537.22	£349.00

○ Optional equipment included in the price

Mercedes-Benz Service Care

- Mercedes-Benz trained Technicians
- Maintained by Mercedes-Benz Retailers
- Meets requirements of Mercedes-Benz Agility finance agreement

Mercedes-Benz Motor Insurance

- 24/7 UK accident recovery
- We use Mercedes-Benz GenuineParts
- To qualify for up to 10% discount online, go to www.mercedes-benz.co.uk/motorinsurance
- Alternatively, call Mercedes-Benz Motor Insurance now on **0345 600 2180⁴** for an annual quote

We may decline to quote in some circumstances. Mercedes-Benz Motor Insurance is underwritten by Aviva Insurance Limited

Whilst these offers are only available with Mercedes-Benz Finance, our Mercedes-Benz Retailers do arrange finance on behalf of other finance companies as well

Orders/credit approvals on B-Class models between 1 October and 31 December 2015, registered by 31 March 2016; excluding Electric Drive. Some combinations of features/options may not be available.

Please contact your local Mercedes-Benz Retailer for availability

¹Based on a Mercedes-Benz Agility agreement and 10,000 miles per annum. Vehicle condition, excess mileage and other charges may be payable. Quotations available on request for alternative contract lengths and mileages.

Guarantees and indemnities may be required. Terms and Conditions apply. Credit provided, subject to status, by Mercedes-Benz Financial Services UK Ltd, MK15 8BA

²Payable if you exercise the option to purchase the car. Guaranteed future value if you choose to hand back the vehicle at the end of the contract

³Includes optional purchase payment, purchase activation fee and Retailer deposit contribution ⁴Calls are charged at local rate and may be recorded

14

B-Class SE



Optional metallic paint finish shown

A car that offers heaps of style and versatility paired with advanced technology for your safety and comfort – the B-Class SE is an accomplished all-rounder. Just take the refined styling featuring an iridium silver radiator grille with chrome inserts on the outside and ARTICO leather¹ upholstery and a leather-trimmed steering wheel inside the cabin. The spacious B-Class is also filled with innovative solutions like a reversing camera for easy parking

and EASY-VARIO-PLUS package for added stowage flexibility. Advanced safety features include COLLISION PREVENTION ASSIST PLUS and ATTENTION ASSIST which alerts you if your concentration wavers. Meanwhile, for your entertainment, Audio 20 CD multimedia system with a 7-inch tablet-style CENTRAL MEDIA DISPLAY and Media Interface also come as standard on B-Class SE.

Exterior

16" alloy wheels – 5-twin-spoke design, painted in black with high-sheen finish

Comfort suspension

Halogen headlamps including integral LED daytime running lights

Radiator grille with two louvres painted in iridium silver and chrome inserts

Interior

EASY-VARIO-PLUS package

Folding rear armrest with twin cup holders; sliding rear bench seat with 'cargo position'; height adjustable boot floor; collapsible stowage box in boot

Stowage package

12 V socket in luggage compartment; parcel net in front passenger footwell; parcel nets on driver and front passenger seat backrests; stowage boxes under front seats; sunglasses compartment in overhead control panel

7-inch tablet-style CENTRAL MEDIA DISPLAY

Audio 20 CD multimedia system including pre-installation for Garmin® MAP PILOT navigation system

Media Interface allows connection and control of portable media devices (e.g. MP3 player, USB storage media)

Reversing camera with dynamic guidelines on the media display

Steering wheel – 12-button multi-function leather steering wheel, 3-spoke design with black topstitching

THERMATIC – air conditioning

Trim and Upholstery

Line pattern



ARTICO leather¹ – black



ARTICO leather¹ – sahara beige



ARTICO leather¹ – crystal grey



¹Man-made leather



> View offers



> Book a test drive



> Find a Retailer



> View the Range Guide

16

B-Class Sport



Optional metallic paint finish shown

Space and great looks are a given in the B-Class, but if you want to enhance the sporty styling, the B-Class Sport does just that. On top of the standard equipment included in the B-Class SE, the Sport comes with a whole range of stylish features: externally, there are 17" alloy wheels and visible twin sports

In addition/replacement to SE:

Exterior

- 17" alloy wheels – 5-twin-spoke design
- DYNAMIC SELECT – with a choice of driving modes: ECO, Comfort, Sport and Individual
- Rain-sensing windscreen wipers
- Twin tailpipes in polished stainless steel

Interior

- 8-inch tablet-style CENTRAL MEDIA DISPLAY
- Gearshift lever in leather with silver chrome trim, perforated grip area and contrast stitching
- Illumination for stowage compartment and vanity mirrors; reading lights and console light in rear roof lining
- Instrument cluster with 4.5-inch TFT multi-function colour display, silver-coloured dials and red needles
- Sail pattern trim

tailpipes for added road presence. Inside, ambient lighting creates a sophisticated atmosphere. Even the sun visors are fitted with illuminated vanity mirrors.

- Steering wheel – 3-spoke, 12-button multi-function steering wheel with perforated leather grip area
- Sun visors with illuminated vanity mirrors for driver and front passenger
- THERMOTRONIC – luxury automatic climate control

Trim and Upholstery

Sail pattern	ARTICO leather ¹ – black
	
ARTICO leather ¹ – sahara beige	ARTICO leather ¹ – crystal grey
	

¹Man-made leather



> View offers



> Book a test drive



> Find a Retailer



> View the Range Guide

18

B-Class AMG Line



Optional metallic paint finish shown

The B-Class AMG Line offers additional sporty refinement courtesy of our high-performance division AMG. It's equipped with 18" AMG alloy wheels, AMG bodystyling, lowered comfort suspension and Sports Direct-Steer system for a truly dynamic driving experience. Inside, the black ARTICO

leather¹/DINAMICA microfibre upholstery with red contrast stitching and carbon fibre look trim creates a powerful atmosphere, while AMG sports pedals with rubber studs, AMG sports steering wheel and AMG floor mats add to the athletic credentials of this unique B-Class.

In addition/replacement to Sport:

Exterior

- 18" AMG alloy wheels – 5-twin-spoke design, painted in titanium grey with high-sheen finish
- AMG bodystyling
- Brakes – front brake calipers with 'Mercedes-Benz' lettering
- Brakes – perforated front brake discs
- Comfort suspension – lowered (by 20mm front, 15mm rear)
- Power steering – Sports Direct-Steer system with speed-sensitive servo assistance and variable steering ratio

Interior

- AMG floor mats with red stitched edging
- Brushed stainless steel sports pedals with rubber studs

- Carbon fibre look trim
- Front door sill panels in aluminium
- Gearshift lever in leather with silver chrome trim, perforated grip area and red contrast stitching
- Steering wheel – 3-spoke, 12-button multi-function sports steering wheel in leather with flattened lower section, perforated grip area and red contrast stitching
- Upholstery in black ARTICO leather¹/DINAMICA microfibre with red contrast stitching

Trim and Upholstery

- Carbon fibre look ARTICO leather¹/DINAMICA microfibre – black



¹Man-made leather

Standard equipment

Item	SE	Sport	AMG Line
Transmission and Suspension			
Driving modes – DYNAMIC SELECT with a choice of driving modes: ECO, Comfort, Sport and Individual	△	●	●
ECO start/stop function	●	●	●
Suspension – comfort suspension	●	●	-
Suspension – lowered comfort suspension (lowered by 15 mm rear and 20 mm front)	-	-	●
Transmission – 6-speed manual transmission with shift point indicator	△	△	△
Transmission – 7G-DCT 7-speed automatic transmission with DIRECT SELECT gearshift lever, steering wheel gearshift paddles and cruise control with SPEEDTRONIC variable speed limiter	△	△	△
Exterior			
Beltline strips – chrome	●	●	●
Bodystyling – AMG bodystyling with front and rear apron and side sill skirts	-	-	●
Brakes – front calipers with ‘Mercedes-Benz’ lettering	-	-	●
Brakes – perforated front brake discs	-	-	●
Bumpers – body-coloured	●	●	●
Door handles – body-coloured	●	●	●
Door mirrors – body-coloured exterior mirrors with integrated LED indicators and aspherically curved mirror glass	●	●	●

Item	SE	Sport	AMG Line
Door mirrors – electrically adjustable and heated	●	●	●
Door sills – front door sills in aluminium	-	-	●
Door sills – front door sills with ‘Mercedes-Benz’ lettering	●	●	●
Exhaust system – no visible tailpipes	●	-	-
Exhaust system – twin trapezoidal tailpipes in polished stainless steel	-	●	●
Glass – rear windscreen, heated with timer control	●	●	●
Lights – halogen headlamps including integrated LED daytime running lights	●	●	●
Lights – Headlamp Assist automatic headlamp activation in dark conditions	●	●	●
Lights – high-level third brake light, LED	●	●	●
Lights – LED fibre-optic tail lamps and LED brake lights	●	●	●
Parking – reversing camera with dynamic guidelines on the media display	●	●	●
Radiator grille – two louvres painted in iridium silver and chrome inserts	●	●	●
Wiper system – heated windscreen washer system (heated windscreen wiper nozzles and heated washer fluid hoses)	●	●	●
Wiper system – rear windscreen wiper with intermittent wipe and automatic activation when reversing	●	●	●
Wiper system – windscreen wipers including rain sensor with two sensitivity stages	-	●	●

Item	SE	Sport	AMG Line
Interior			
12 V socket in luggage compartment and rear centre console	●	●	●
Air conditioning – air vents with surround and cruciform nozzle in silver chrome	●	●	●
Air conditioning – THERMATIC, including fine particle filter and air recirculation button with convenience function for closing windows automatically	●	–	–
Air conditioning – THERMOTRONIC luxury automatic climate control, two-zone, with display	–	●	●
Armrest – rear, folding, including through-loading facility and cup holder	●	●	●
Centre armrest – front, with stowage	●	●	●
Floor mats – AMG floor mats with edging in black and red contrast stitching	–	–	●
Gearshift – trimmed in leather	△	△	△
Interior lighting – ambient lighting (single-colour) with indirect illumination of the interior door handles at front and rear and door trim elements	–	●	●
Interior lighting – courtesy (white) and warning (red) lights in the front doors and boot lid	–	●	●
Interior lighting – footwell lighting, front and rear	–	●	●
Interior lighting – light switch in high-gloss black with ring in silver chrome	●	●	●
Interior lighting – rear lighting with integral reading lights and locator lighting	–	●	●
Interior lighting – sun visor with illuminated vanity mirror for driver and front passenger	–	●	●
Instrument cluster – 4.5-inch TFT multi-function colour display	●	–	–

Item	SE	Sport	AMG Line
Instrument cluster – 4.5-inch TFT multi-function colour display, silver-coloured dials and red needles	–	●	●
Instrument cluster – electronic service interval indicator ASSYST	●	●	●
Instrument cluster – outside temperature display	●	●	●
Instrument cluster – trip computer showing current fuel consumption	●	●	●
Instrument cluster – upper control panel with galvanised switches in silver chrome	●	●	●
Instrument cluster – warning buzzer and warning display if a seat belt is not fastened, lights are left on or parking brake is engaged	●	●	●
Instrument cluster – warning indicators for fuel, oil, coolant and washer fluid levels and brake wear	●	●	●
Mirrors – rear-view mirror with additional lighting	–	●	●
Non-Smoker package including 12 V socket and stowage compartment in the front	●	●	●
Pedals – brushed stainless steel sports pedals with rubber studs	–	–	●
Seats – front seats, cushion length adjustment	●	●	●
Seats – rear seat fore/aft adjustment (left and right rear seat sections can be independently moved forward to increase luggage space)	●	●	●
Seats – Seat Comfort package Seat height adjusters and seat cushion angle adjustment on front seats	●	●	●
Seats – seats with adjustable head restraints	●	●	●

Item	SE	Sport	AMG Line
Interior (continued)			
Seats – split-folding rear seat backrests (1/3:2/3) with cargo position for increased luggage space	●	●	●
Stowage – boxes under driver and front passenger seats	●	●	●
Stowage – collapsible box stored under luggage compartment floor	●	●	●
Stowage – compartment in centre console with retractable cover	●	●	●
Stowage – compartments in front doors	●	●	●
Stowage – double cup holder in centre console	●	●	●
Stowage – folding tables on rear of driver and front passenger seat backrests	●	●	●
Stowage – load-securing rings in luggage compartment	●	●	●
Stowage – nets in front passenger footwell	●	●	●
Stowage – nets on rear of driver and front passenger seat backrests	●	●	●
Stowage – retractable load compartment cover	●	●	●
Stowage – sunglasses compartment in overhead console	●	●	●
Stowage – two-position luggage compartment floor (upper position for level loading, lower position for extra loadspace height)	●	●	●
Windows – electric windows (4)	●	●	●

Item	SE	Sport	AMG Line
Steering			
Power steering – with speed-sensitive servo assistance	●	●	–
Power steering – Sports Direct-Steer system with speed-sensitive servo assistance and variable steering ratio	–	–	●
Steering column manually adjustable for height and reach	●	●	●
Steering wheel – 3-spoke, 12-button multi-function steering wheel in leather with silver chrome trim	●	–	–
Steering wheel – 3-spoke, 12-button multi-function steering wheel in leather with silver chrome trim, perforated grip area and contrast stitching	–	●	–
Steering wheel – 3-spoke, 12-button multi-function steering wheel in leather with flattened lower section, perforated grip area and red contrast stitching	–	–	●




Item	SE	Sport	AMG Line
Paint, Trim and Upholstery			
Paint – non-metallic	●	●	●
Roof lining – black	△	△	●
Roof lining – grey	●	△	–
Trim – dashboard, carbon fibre look	–	–	●
Trim – dashboard, line pattern	●	–	–
Trim – dashboard, sail pattern	–	●	–
Upholstery – ARTICO leather ¹ /DINAMICA microfibre upholstery in black with red contrast stitching	–	–	●
Upholstery – ARTICO leather ¹ upholstery	●	●	–

Item	SE	Sport	AMG Line
Communications and In-Car Entertainment			
Audio 20 radio/single CD – 6 speakers, telephone keypad, twin radio tuner (FM/AM), CD player (MP3/WMA/AAC/WAV compatible), Bluetooth® interface, 2 USB ports, SD card slot and pre-installation for Garmin® MAP PILOT navigation system	●	●	●
Media display – 7-inch tablet-style CENTRAL MEDIA DISPLAY	●	–	–
Media display – 8-inch tablet-style CENTRAL MEDIA DISPLAY	–	●	●
Media Interface Allows connection and control of portable media devices (e.g. MP3 player, USB storage media) via ports in the centre console (input only)	●	●	●
Mercedes connect me (standard services) Including emergency call system (eCall), accident recovery, breakdown and maintenance management	●	●	●



Item	SE	Sport	AMG Line
Safety and Assistance Systems			
Anti-Theft Protection package including anti-theft alarm system with tow-away protection and interior monitoring system	●	●	●
Acceleration Skid Control (ASR)	●	●	●
Airbags – automatic front passenger airbag deactivation	●	●	●
Airbags – for driver and front passenger	●	●	●
Airbags – kneebag for driver	●	●	●
Airbags – sidebags for driver and front passenger (combined thorax/pelvis bag)	●	●	●
Airbags – windowbags	●	●	●
Alarm system with immobiliser and interior protection – Thatcham category 1 (T1)	●	●	●
ATTENTION ASSIST – alerts the driver to increasing fatigue and inattention	●	●	●
Automatic child seat recognition sensor	●	●	●
Braking – adaptive Brake Assist with HOLD function, Hill Start Assist, priming and dry braking in the wet	●	●	●
Braking – adaptive brake lights (flash under emergency braking)	●	●	●
Braking – anti-lock braking system (ABS)	●	●	●
Braking – Brake Assist (BAS) with brake servo assistance when emergency braking is detected	●	●	●
Braking – electric parking brake	●	●	●

Item	SE	Sport	AMG Line
COLLISION PREVENTION ASSIST PLUS	●	●	●
Crash-responsive emergency lighting (automatic activation of interior lighting in the event of an accident)	●	●	●
Emergency call system (eCall)	●	●	●
ESP® Curve Dynamic Assist	●	●	●
First-aid kit and warning triangle	●	●	●
Locking – childproof rear doors (manually operated) and rear electric windows (electrically operated)	●	●	●
Locking – remote central locking with interior switch, speed-dependent automatic locking (can be deactivated) and crash sensor with emergency opening function	●	●	●
Seat belts – rear, three-point (3)	●	●	●
Seats – front and rear seat belt reminder	●	●	●
Seats – front passenger seat occupancy sensor	●	●	●
Seats – height-adjustable head restraints (5)	●	●	●
Seats – ISOFIX and top-tether child seat fixing points in rear (two outer seats)	●	●	●
Tyres – TIREFIT with tyre inflation compressor	●	●	●
Tyres – tyre pressure monitoring system (tyre pressure display in instrument cluster)	●	●	●

A revolution in style

Item	Notes							Basic RRP excl. VAT (£)	Total RRP incl. VAT (£)
Wheels					SE	Sport	AMG Line		
16" alloy wheels (4) – 5-twin-spoke design, painted in black with high-sheen finish 205/55 tyres			R78	●	-	-		-	-
17" alloy wheels (4) – 5-twin-spoke design 225/45 tyres			R04	-	●	-		-	-
18" AMG alloy wheels (4) – 5-twin-spoke design, painted in titanium grey with high-sheen finish 225/40 tyres			678	-	-	●		-	-

● Standard ○ Optional - Not available

Item	Notes		SE	Sport	AMG Line	Basic RRP excl. VAT (£)	Total RRP incl. VAT (£)	
Wheels								
18" AMG alloy wheels (4) - multi-spoke design, painted in black with high-sheen rim 225/40 tyres			646	-	-	○	Included in Night package	
18" AMG alloy wheels (4) - multi-spoke design 225/40 tyres	Not in conjunction with Night package (code P55)		791	-	-	○	100.00	120.00

Executive package



Garmin® MAP PILOT navigation system



Active Parking Assist including PARKTRONIC



Heated front seats

The Executive package lets you enjoy each journey that little bit more. It includes Active Parking Assist including PARKTRONIC, the highly sophisticated Garmin® MAP PILOT navigation system and heated front seats.

Executive package (code DP3) – designed and priced as a package, including items as listed below.

All models

Total incl. VAT £995.00

Executive package comprises:

Active Parking Assist including PARKTRONIC

Garmin® MAP PILOT navigation system

Operation via controller, touchpad or voice control. SD card navigation with instructions shown on CENTRAL MEDIA DISPLAY. Includes 3D views with visualisation of roads and buildings as well as junction and lane assistants, making it easy for drivers to orient themselves.

Spoken instructions are emitted through vehicle's built-in speakers. Software and map can be updated online

Heated front seats

Premium package



LED High Performance headlamps



Ambient lighting



Automatically dimming driver's exterior mirror

The Premium package increases the comfort of your Sport or AMG Line. This package comprises all the features of the Executive package, as well as ambient lighting, automatically dimming mirrors with electrically folding exterior mirrors and LED High Performance headlamps with Adaptive Highbeam Assist.

Premium package (code DP0) – designed and priced as a package, including items as listed below.

Sport and AMG Line

Total incl. VAT £1,695.00

Premium package comprises:

Active Parking Assist including PARKTRONIC

Ambient lighting (12-colour)

Automatically dimming driver's exterior mirror and rear view mirror

Electrically folding exterior mirrors

Garmin® MAP PILOT navigation system

Heated front seats

LED High Performance headlamps with Adaptive Highbeam Assist

Premium Plus package



Panoramic glass sunroof



Electrically adjustable front seats



KEYLESS-GO

If you want to take it up a notch, the Premium Plus package for the Sport or AMG Line contains the same features as the Premium package plus KEYLESS-GO for keyless locking, unlocking and starting; electrically adjustable front seats with four-way lumbar support; and a panoramic glass sunroof to brighten up the cabin.

Premium Plus package (code DP1) – designed and priced as a package, including items as listed below.

Sport and AMG Line

Total incl. VAT £2,995.00

Premium Plus package comprises:

Active Parking Assist including PARKTRONIC

Ambient lighting (12-colour)

Automatically dimming driver's exterior mirror and rear view mirror

Electrically adjustable front seats with four-way lumbar support. Exterior passenger mirror pivots down when reverse is selected. Memory programme with three individually selectable settings

Electrically folding exterior mirrors

Garmin® MAP PILOT navigation system

Heated front seats

KEYLESS-GO – keyless locking, unlocking and start of the vehicle

LED High Performance headlamps with Adaptive Highbeam Assist

Panoramic glass sunroof (black roof lining as standard)

Pricing summary for Executive, Premium and Premium Plus packages

Model	Transmission	Recommended OTR price (£) ¹									
		SE	SE Executive	Sport	Sport Executive	Sport Premium	Sport Premium Plus	AMG Line	AMG Line Executive	AMG Line Premium	AMG Line Premium Plus
B 180 d	6-speed manual	22,900.00	23,895.00	23,895.00	24,890.00	25,590.00	26,890.00	25,190.00	26,185.00	26,885.00	28,185.00
	7G-DCT 7-speed automatic	24,350.00	25,345.00	25,345.00	26,340.00	27,040.00	28,340.00	26,640.00	27,635.00	28,335.00	29,635.00
B 200 d	6-speed manual	23,975.00	24,970.00	24,970.00	25,965.00	26,665.00	27,965.00	26,265.00	27,260.00	27,960.00	29,260.00
	7G-DCT 7-speed automatic	25,425.00	26,420.00	26,420.00	27,415.00	28,115.00	29,415.00	27,715.00	28,710.00	29,410.00	30,710.00
B 220 d	7G-DCT 7-speed automatic	-	-	27,850.00	28,845.00	29,545.00	30,845.00	29,145.00	30,140.00	30,840.00	32,140.00
B 220 d 4MATIC	7G-DCT 7-speed automatic	-	-	29,350.00	30,345.00	31,045.00	32,345.00	30,645.00	31,640.00	32,340.00	33,640.00
B 180	6-speed manual	21,825.00	22,820.00	22,950.00	23,945.00	24,645.00	25,945.00	24,245.00	25,240.00	25,940.00	27,240.00
	7G-DCT 7-speed automatic	23,275.00	24,270.00	24,270.00	25,265.00	25,965.00	27,265.00	25,565.00	26,560.00	27,260.00	28,560.00
B 200	6-speed manual	23,350.00	24,345.00	24,475.00	25,470.00	26,170.00	27,470.00	25,770.00	26,765.00	27,465.00	28,765.00
	7G-DCT 7-speed automatic	24,800.00	25,795.00	25,795.00	26,790.00	27,490.00	28,790.00	27,090.00	28,085.00	28,785.00	30,085.00

¹Recommended on-the-road price: these prices reflect the Road Fund Licence applicable to the standard model plus £670.00 additional costs necessary to put your car on the road.

Included are a standard UK delivery charge (£540.00 incl. VAT), new vehicle registration fee (£55.00), number plates (£25.00 incl. VAT) and fuel (£50.00 incl. VAT). VAT is calculated at the standard rate of 20%

Driving Assistance package

This comprehensive package includes many advanced features to help keep you safe on the road: Blind Spot Assist monitors the obscure area to the side and rear. The innovative driver assistance system, DISTRONIC PLUS cruise control helps to automatically maintain a safe distance from the vehicle ahead. Lane Keeping Assist is able to recognise when the vehicle is unintentionally drifting out of its lane, and duly warns the driver with pulsed vibrations on the steering wheel. Plus the renowned PRE-SAFE® safety system can 'sense' critical road situations and initiate preventive safety measures.

Driving Assistance package (code DP2)¹ – designed and priced as a package, including items as listed below.

All models

Total incl. VAT £1,495.00

Driving Assistance package comprises:

Blind Spot Assist

DISTRONIC PLUS

Lane Keeping Assist

PRE-SAFE® anticipatory safety system



DISTRONIC PLUS



Lane Keeping Assist

¹Only available with automatic transmission

Exclusive package



The optional Exclusive package adds yet more comfort to your B-Class. The leather seats are clad in black, hazelnut brown or cranberry red. Floor mats with edging in matching upholstery colour are also part of the package. Available only in conjunction with the Executive, Premium or Premium Plus packages.

Exclusive package (code P34) – designed and priced as a package, including items as listed below.

AMG Line **Total incl. VAT £895.00**

Exclusive package comprises:

ARTICO leather¹ door centre panels in upholstery colour

Floor mats with edging in upholstery colour

Four-way lumbar support

Upholstery – black, hazelnut brown or cranberry red leather

Exclusive package upholstery

Black

Hazelnut brown

Cranberry red



¹Man-made leather

AMG Exclusive package



Memory package and KEYLESS-GO shown above (part of the optional Premium Plus package)

The optional AMG Exclusive package is the perfect combination of refined style and comfort. The black RED CUT leather seats feature red perforations and contrast stitching. Just like the Exclusive package, the front seats also feature lumbar support. Available only in conjunction with the Executive, Premium or Premium Plus packages.

AMG Exclusive package (code P39) – designed and priced as a package, including items as listed below.

AMG Line **Total incl. VAT £895.00**

AMG Exclusive package comprises:

ARTICO leather¹ door centre panels in upholstery colour

Four-way lumbar support

Upholstery – perforated black RED CUT leather with contrast stitching

AMG Exclusive package upholstery

Perforated black RED CUT



Night package



Radiator grille with two louvres in high-gloss black



Exterior mirror housings painted in black

Model shown features Premium package (code DP0)

For a truly distinctive look, the B-Class can be further enhanced with the Night package. It includes a two-louvre high-gloss black radiator grille with chrome inserts, black door mirrors, high-gloss black beltline trim strips, 18" AMG multi-spoke alloy wheels, as well as privacy glass for the rear windscreen and rear side windows. The Night package offers extensive exterior features to complement the AMG Line, and is available only in conjunction with Premium package or Premium Plus package.

Night package (code P55) – designed and priced as a package, including items as listed below.

AMG Line

Total incl. VAT £445.00

Night package comprises:

18" AMG multi-spoke alloy wheels painted in black with a high-shine rim

Beltline trim strip in high-gloss black

Bumpers with chrome trim in high-gloss black

Exterior mirror housings painted in black

Privacy glass from B-pillar backwards

Radiator grille with two louvres in high-gloss black and chrome inserts

Optional equipment

Item	Notes					Basic RRP excl. VAT (£)	Total RRP incl. VAT (£)
		SE	Sport	AMG Line			
Suspension and Exterior							
Selective Damping Provides the option to adjust suspension settings between 'Comfort' and 'Sport' using the DYNAMIC SELECT switch		459	-	-	○	495.83	595.00
Tow bar - manually folding with mechanical release; includes 13-pin socket		550	○	○	○	675.00	810.00
Paint, Trim and Upholstery							
Paint - metallic		'	○	○	○	479.17	575.00
Comfort							
Four-way lumbar support	Included in Exclusive package (code P34) and AMG Exclusive package (code P39)	U22	○	○	○	133.33	160.00
Panoramic glass sunroof	Included in Premium Plus package (code DP1). Black roof lining as standard	413	-	○	○	829.17	995.00
Privacy glass - heat insulating dark-tinted glass all round from B-pillars backwards	Included in Night package (code P55)	840	○	○	○	216.67	260.00
Rear dividing net - restricts the movement of items from the luggage compartment to the passenger compartment		U40	○	○	○	120.83	145.00



Item	Notes		SE	Sport	AMG Line	Basic RRP excl. VAT (£)	Total RRP incl. VAT (£)
Safety and Assistance Systems							
Active Parking Assist including PARKTRONIC Active Parking Assist controls steering input automatically to help you manoeuvre into a parking space. PARKTRONIC's 12 ultrasonic sensors in the front and rear bumpers provide a visible and audible warning to the driver when parking	Included in Executive package (code DP3), Premium package (code DP0) and Premium Plus package (code DP1)	235	<input type="radio"/>	<input type="radio"/>	<input type="radio"/>	562.50	675.00
Cruise control with SPEEDTRONIC variable speed limiter	Standard in conjunction with automatic transmission. Optional in conjunction with 6-speed manual transmission only	440	<input type="radio"/>	<input type="radio"/>	<input type="radio"/>	216.67	260.00
Communications and In-Car Entertainment							
COMAND Online system ¹ Includes radio, smartphone integration, single CD/DVD, 8-inch colour display, map navigation system with 3D map display, Live Traffic Information and European map data updates free of charge for the first three years, and LINGUATRONIC voice control. Mercedes connect me with standard and Remote Online services. Access to internet sites when vehicle is stationary, plus unrestricted use of Mercedes-Benz apps (internet-enabled mobile phone required) and in-car internet access for Facebook, internet radio, sending routes from Google Maps™ to the vehicle, news and weather reports. Also includes SD memory card slot	Only available in conjunction with Executive package (code DP3), Premium package (code DP0) and Premium Plus package (code DP1)	531	-	<input type="radio"/>	<input type="radio"/>	829.17	995.00
DAB digital radio tuner		537	<input type="radio"/>	<input type="radio"/>	<input type="radio"/>	358.33	430.00
Garmin® MAP PILOT navigation system SD card navigation with instructions shown on media display and in the instrument cluster. SD card inserted in centre armrest compartment next to USB ports. Includes 3D views with exact visualisation of roads and buildings as well as junction and lane assistants making it easy for drivers to orient themselves. Operation via controller or voice control. Spoken instructions are emitted through the vehicle's built-in speakers. Software and maps can be updated via the internet	Included with Executive package (code DP3), Premium package (code DP0) or Premium Plus package (code DP1). Not available with COMAND Online system (code 531)	357	<input type="radio"/>	<input type="radio"/>	<input type="radio"/>	412.50	495.00

Item	Notes	SE	Sport	AMG Line	Basic RRP excl. VAT (£)	Total RRP incl. VAT (£)	
Communications and In-Car Entertainment (continued)							
Mercedes connect me (Remote Online) Onboard use of remote and location services, e.g. geographic vehicle monitoring, vehicle location, remote door locking and unlocking, and remote interrogation of vehicle status. Remote Online subscription services are limited to three years from initial registration, and can be extended at additional cost	Standard with COMAND Online system (code 531)	05U	○	○	○	125.00	150.00
Smartphone integration Comprising Apple CarPlay™. Compatible iPhones (iPhone 5 and newer) can be integrated into the vehicle via Apple CarPlay™. Please check on www.apple.com/uk/ios/carplay/ for compatibility and approved apps. Certain features and apps require a 3G or 4G data connection. Control of features available through voice control and controller on centre console	Included with COMAND Online system (code 531)	14U	○	○	○	208.33	250.00
Surround sound system – Harman Kardon® Logic 7® with Dolby Digital 5.1 and DTS 11 high-performance speakers and additional amplifiers	Removes stowage compartment beneath load compartment floor	810	○	○	○	566.67	680.00
Service Package							
Service Care Service Care allows you to spread the cost of servicing your new car in the Mercedes-Benz Retailer network. Taking out a Service Care plan ensures your servicing needs are taken care of by fully trained Mercedes-Benz Technicians with the added benefit of a Mercedes-Benz service history	Price is based on a monthly rate. Example given is for two services taken over 24 months, three services over 36 months or four services over 48 months. Further payment options are available. New Service Care prices apply only to vehicles up to 12 months old prior to first service	'	○	○	○	20.00	24.00

Genuine Accessories

We've developed a range of Accessories you can add to help personalise and enhance your B-Class. Your local Mercedes-Benz Retailer can advise on fitting costs of Accessories, where applicable. Further information on our selection of Genuine Accessories can be found on the Mercedes-Benz UK website.



01 | Shallow boot tub

The boot tub is suitable for transporting shopping. The tub shape with its slightly raised edge is precision-tailored to the load area. Made from impact-resistant, non-split polypropylene, its structured surface holds the separately available stowage crate in place. Deep boot tub also available.

Basic RRP £72.50 (excl. VAT) **Total RRP £87.00 (incl. VAT)**

02 | Stowage crate

A secure hold for items which are prone to tip over or slide around, e.g. shopping bags. Adjustable partitioning elements allow crate to be divided into max. four sections. Optimum functionality only in conjunction with shallow boot tub.

Basic RRP £71.67 (excl. VAT) **Total RRP £86.00 (incl. VAT)**

03 | All-season floor mats

Robust, washable synthetic material, designed for heavy use. Latest design with recessed areas and raised edge. With distinctive Mercedes-Benz star logo. Price for front and rear mats.

Basic RRP £73.34 (excl. VAT) **Total RRP £88.00 (incl. VAT)**

04 | Concertina load sill protector

Protects the rear of the car from scratches when you're loading the vehicle and prevents dirt on the car from getting onto your clothes. Practical design – can be connected to shallow boot tub.

Basic RRP £32.50 (excl. VAT) **Total RRP £39.00 (incl. VAT)**





05 | Exterior Car Care Kit

The Mercedes-Benz Exterior Car Care Kit is a four-piece collection to keep the exterior of your car looking like it's come straight from the showroom. The bag contains car shampoo, wheel cleaner, sponge and polishing cloth.

Basic RRP £20.83 (excl. VAT) **Total RRP £25.00 (incl. VAT)**

07 | DUO plus child seat, with ISOFIX and automatic child seat recognition

Optimum safety for children between the ages of around 8 months and 4 years (9 to 18 kg). Fitted as standard with top tether, an additional belt for securing the head section, a height-adjustable harness, ventilation channels and ISOFIX attachment points. With automatic child seat recognition. Adjustable tilt. Also available for ages 0+ (1 to 13 kg) and 3.5 to 12 years (15 to 36 kg).

Basic RRP £280.95 (excl. VAT) **Total RRP £295.00 (incl. VAT)**

06 | Interior Car Care Kit

The Mercedes-Benz Interior Car Care Kit is a four-piece collection enabling you to maintain a spotless showroom finish inside your car. The bag contains cabin care spray, interior glass cleaner, interior glass sponge and car cloth.

Basic RRP £20.83 (excl. VAT) **Total RRP £25.00 (incl. VAT)**

08 | Coolbox

Not only cools but warms too. Cools to up to 20° C below ambient temperature, to max. -2° C. Can be switched to warming function. Robust, highly insulated hard case with fabric cover, outside pockets and padded shoulder strap. Capacity: 24 litres. Can be connected to 12V socket in vehicle or to 230V power source via separately available rectifier.

Basic RRP £140.00 (excl. VAT) **Total RRP £168.00 (incl. VAT)**

09 | Winter wheels and tyres

16" alloy wheels (4) – 10-spoke design.

Basic RRP £950.04 (excl. VAT) **Total RRP £1,140.05 (incl. VAT)**

10 | Winter wheels and tyres

17" alloy wheels (4) – 5-twin-spoke design. Includes Tyre Pressure Monitor.

Basic RRP £1,289.16 (excl. VAT) **Total RRP £1,547.00 (incl. VAT)**

11 | Mercedes-Benz roof box, 400 litres

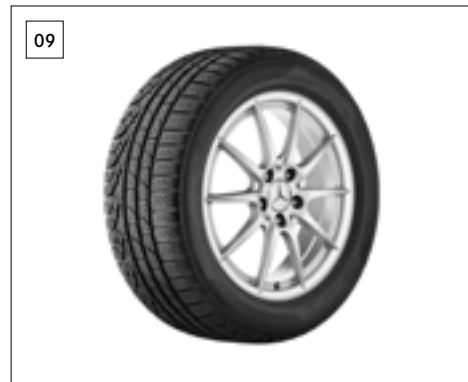
Multi-purpose box. Compact length, impressive amount of space. Capacity approx. 400 litres. Opens on both sides. Single lock system. Gas-filled struts for easy opening and closing of lid. Maximum load capacity 75 kg. Available in matt silver or metallic black.

Basic RRP £341.67 (excl. VAT) **Total RRP £410.00 (incl. VAT)**

12 | Alustyle Quickfix carrier bars

Aluminium carrier bars, precision-tailored to the body of your Mercedes-Benz – the perfect basis for a range of Mercedes-Benz transport solutions: ski and snowboard rack, bicycle rack or roof boxes.

Basic RRP £182.50 (excl. VAT) **Total RRP £219.00 (incl. VAT)**



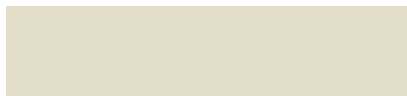
Colours and materials

Non-metallic paints

Standard



589 jupiter red



650 cirrus white

Metallic paints

Optional



162 south seas blue



592 northern lights violet



990 orient bronze



175 elbaite green¹



761 polar silver



191 cosmos black



787 mountain grey

¹Available from Q4 2015 Please note that, owing to limitations of the printing process, paint colours may differ from those shown



Upholstery

SE and Sport

ARTICO leather¹



111 black



105 sahara beige



118 crystal grey

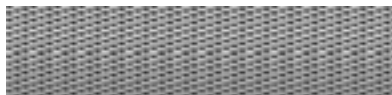
Trim

SE



H53 line pattern

Sport



H81 sail pattern

AMG Line

ARTICO leather¹/DINAMICA microfibre



661 black

AMG Line



H74 carbon-fibre look

Exclusive package (AMG Line)

Leather



201 black



204 hazelnut brown



207 cranberry red

AMG Exclusive package (AMG Line)

Leather



821 perforated black RED CUT

¹Man-made leather

Trim and upholstery combinations

	SE and Sport			AMG Line
	ARTICO leather ¹			ARTICO leather ¹ /DINAMICA microfibre
	black (111)	sahara beige (105)	crystal grey (118)	black (661)
Dashboard				
Steering wheel	black	black	black	black
Upper dashboard trim	black	black	black	black
Lower dashboard trim	black	black	crystal grey	black
Seats				
Seat cushion centre section	black	sahara beige	crystal grey	black
Side bolster trim	black	sahara beige	crystal grey	black
Head restraint	black	sahara beige	crystal grey	black
Seat belt	black	black	black	black
Doors				
Door pocket	black	black	crystal grey	black
Door trim	black	sahara beige	crystal grey	black
Roof lining	grey	black	grey	black
Floor covering				
Front and rear	black	black	black	black
Boot	black	black	black	black

¹Man-made leather



Combination options

		ARTICO leather ¹ SE and Sport				ARTICO leather ¹ /DINAMICA microfibre AMG Line				Leather (Exclusive package) AMG Line				Leather (AMG Exclusive package) AMG Line	
		black	sahara beige	crystal grey		black			black	hazelnut brown	cranberry red		perforated black	RED CUT	
Non-metallic paints (standard)															
	589 jupiter red	●	●	○		●			●	△	△		●		
	650 cirrus white	●	●	○		●			●	●	●		●		
Metallic paints (optional)															
	162 south seas blue	●	●	●		○			●	●	●		○		
	175 elbaite green	●	△	●		○			●	△	△		△		
	191 cosmos black	●	●	○		●			●	●	●		●		
	592 northern lights violet	●	●	●		△			●	△	○		△		
	761 polar silver	●	●	●		●			●	●	●		●		
	787 mountain grey	●	●	●		●			●	●	●		●		
	990 orient bronze	●	●	●		△			●	●	△		△		

Technical data

Model	Diesel engines				Petrol engines						
	B 180 d	B 200 d	B 220 d	B 220 d 4MATIC	B 180	B 200					
Engine											
Total displacement	cc	1,461	2,143	2,143	2,143	1,595	1,595				
Arrangement/cylinders/valves		in-line/4/8	in-line/4/16	in-line/4/16	in-line/4/16	in-line/4/16	in-line/4/16				
Power ¹	hp (kW) at rpm	109 (80)/4,000	136 (100)/3,200-4,000	177 (130)/3,600-3,800	177 (130)/3,600-3,800	122 (90)/5,000	156 (115)/5,300				
Torque ¹	Nm at rpm	260/1,750-2,500	300/1,400-3,000	350/1,400-3,400	350/1,400-3,400	200/1,250-4,000	250/1,250-4,000				
Transmission											
6-speed manual		●	●	-	-	●	●				
7G-DCT 7-speed automatic		○	○	●	●	○	○				
Performance											
		man.	auto.	auto.	auto.	auto.	man.	auto.	man.	auto.	
Acceleration 0-62 mph	sec	11.6	11.6	9.4	8.9	8.3	7.6	9.0	8.7	8.2	7.9
Top speed	mph	118	118	130	130	139	137	124	124	137	137

Model	Diesel engines						Petrol engines				
	B 180 d		B 200 d		B 220 d		B 220 d 4MATIC		B 180		B 200
Weights and capacities	man.	auto.	man.	auto.	auto.	auto.	man.	auto.	man.	auto.	
Kerb weight	kg	1,420	1,450	1,485	1,505	1,505	1,575	1,395	1,425	1,395	1,425
Perm. Gross Vehicle Weight	kg	1,985	1,985	2,025	2,025	2,025	2,095	1,960	1,960	1,960	1,960
Towing capacity - unbraked		710	725	740	750	750	750	695	710	695	710
braked	kg	1,200	1,200	1,500	1,500	1,500	1,500	1,200	1,200	1,400	1,400
Boot capacity (seats down)	l	1,547	1,547	1,547	1,547	1,547	1,547	1,547	1,547	1,547	1,547
Fuel tank capacity/ of which reserve	l	50/6	50/6	50/6	50/6	50/6	56/6	50/6	50/6	50/6	50/6
Turning circle	m	11.0	11.0	11.0	11.0	11.0	11.0	11.0	11.0	11.0	11.0
Fuel consumption^{2,3}	mpg	man.	auto.	man.	auto.	auto.	auto.	man.	auto.	man.	auto.
Urban		61.4	64.2	53.3	60.1	57.7	47.9	38.2	40.9	37.7	40.9
Extra-urban ⁴		78.5	76.4	80.7	80.7	76.4	62.8	62.8	62.8	61.4	62.8
Combined		70.6	70.6	67.3	70.6	67.3	56.5	50.4	52.3	49.6	52.3

Model	Diesel engines						Petrol engines					
	B 180 d		B 200 d		B 220 d		B 220 d 4MATIC		B 180		B 200	
CO ₂ emissions ³	g/km		man.	auto.	man.	auto.	auto.	auto.	man.	auto.	man.	auto.
Emissions standard	EU6		EU6	EU6	EU6	EU6	EU6	EU6	EU6	EU6	EU6	EU6
16" alloy wheels (205/55 tyres)	104	104	109	104	-	-	129	125	130	125	130	125
17" alloy wheels (225/45 tyres)	107	107	112	106	108	130	132	127	132	127	132	127
18" alloy wheels (225/40 tyres)	107	107	112	106	108	130	132	127	132	127	132	127

Insurance

Group rating	15	15	19-21	19	24	23	19	19	22	22
--------------	----	----	-------	----	----	----	----	----	----	----

Insurance ratings may vary depending on model line and specification. Please refer to <http://www.thatcham.org/abigrouprating/> for further details

¹Figures according to Directive 80/1269/EEC in the currently applicable version

²All figures are based on a standard specification with the smallest tyre size

³The choice of wheels and transmission may affect CO₂ emissions and corresponding Road Fund Licence

⁴EUDC: extra-urban driving cycle. Testing procedures adhere to EU Directive 93/116

The figures on pages 46-49 are correct at time of going to print. Please refer to the government website for latest data - <http://carfueldata.direct.gov.uk/>



> View offers



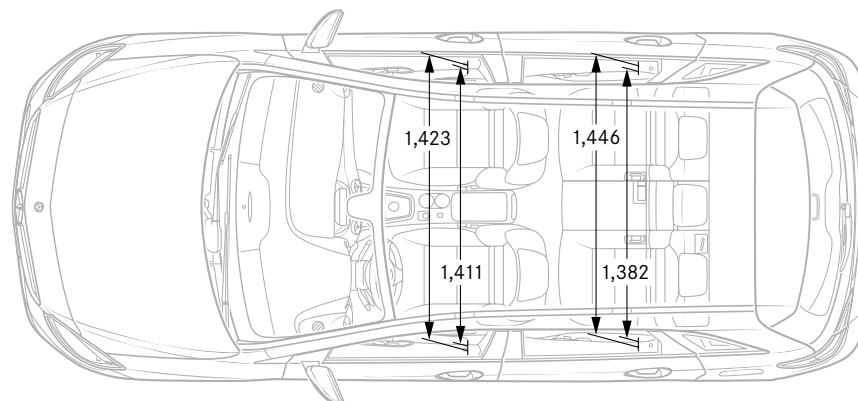
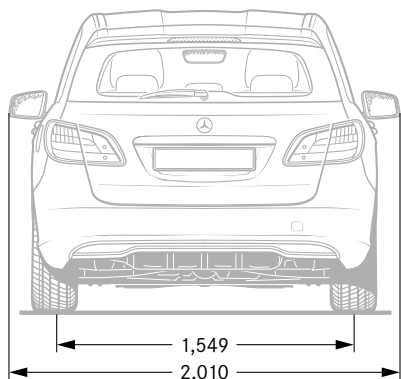
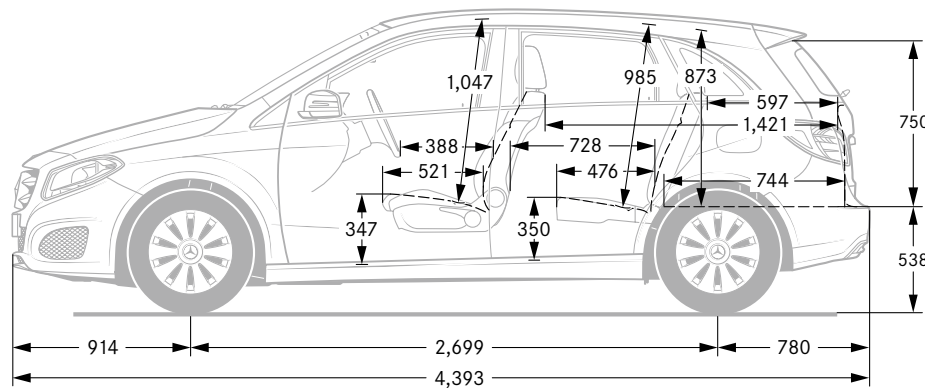
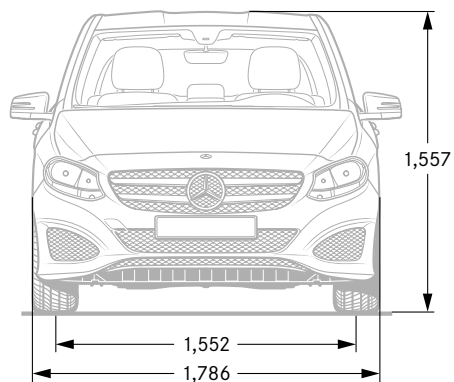
> Book a test drive



> Find a Retailer



> View the Range Guide



All measurements in millimetres. The dimensions shown are mean values and apply to standard-specification, unladen vehicles. Dimensions may vary slightly depending on the engine. Please consult your Retailer for further information

Road Fund Licence



All road vehicle registrations are subject to Vehicle Excise Duty (Road Fund Licence), which varies in accordance with the vehicle's CO₂ emissions. A first year rate of Vehicle Excise Duty applies to new cars on their first year of registration. For the second and subsequent years a standard rate for each taxation band will apply.¹ The table below shows the bands (A–M) created by the DVLA and the corresponding Road Fund Licence. CO₂ emissions are listed in the technical data on page 48, and the relevant Excise Duty is reflected in the on-the-road prices on pages 10–11.

Band	CO ₂ emissions	First year rate (£)	Standard rate (£)
A	up to 100 g/km	0.00	0.00
B	101 to 110 g/km	0.00	20.00
C	111 to 120 g/km	0.00	30.00
D	121 to 130 g/km	0.00	110.00
E	131 to 140 g/km	130.00	130.00
F	141 to 150 g/km	145.00	145.00
G	151 to 165 g/km	180.00	180.00
H	166 to 175 g/km	295.00	205.00
I	176 to 185 g/km	350.00	225.00
J	186 to 200 g/km	490.00	265.00
K	201 to 225 g/km	640.00	290.00
L	226 to 255 g/km	870.00	490.00
M	over 255 g/km	1,100.00	505.00

¹For further information on vehicle taxation please refer to <http://carfueldata.direct.gov.uk/>

Services and insurance

Mercedes-Benz Service Care

We believe that servicing costs should be as flexible and affordable as possible for your B-Class, which is why we offer Service Care, an easy way to budget for all your servicing costs. It spreads your bills into manageable payments based on whether you have a new or used Mercedes-Benz.

With Service Care we guarantee the price of parts and labour for up to four services and safeguard against any further inflation. It also covers the cost of any additional items including brake fluid, spark plugs, air filters, fuel filters and screen wash.

You can choose either to add your servicing costs into your monthly spend or pay the full amount in a one-off payment, giving you peace of mind that they are taken care of for the period of the plan.

To receive a personalised Service Care plan recommendation visit the Service Care Calculator at www.mercedes-benz.co.uk/servicecare

Warranty and breakdown cover

Every Mercedes-Benz comes with a three-year unlimited mileage warranty against manufacturing or material defects¹ and up to 30 years warranty against perforation due to corrosion from the inside out.² What's more, it's also covered by Mercedes-Benz Roadside Assistance – a unique package comprising up to 30 years pan-European breakdown assistance.²

Insurance

Since our name is synonymous with reliability, who better to trust with your motor insurance? Mercedes-Benz Insurance provides a motor insurance policy specifically designed to give you the cover you would expect from Mercedes-Benz. For a motor insurance quotation, call **0345 600 2180**.*

52



The Mercedes that thinks and acts for you.

Imagine if...

...you could connect with your Mercedes-Benz?

With Mercedes connect me, you can; with Remote Online services¹ that include trip planning, maintenance management and vehicle tracking, plus more.

Getting connected is easy. Just set up your Mercedes me account and get in touch with your Mercedes-Benz Retailer to connect your vehicle to your profile to access your Mercedes connect me services.

...you knew beforehand that you need to stop for fuel?

Simply check the fuel level and mileage range from your phone wherever you are. You can also check tyre pressure and washer fluid level. (For electric cars, you can check battery charge state.)

...your Mercedes could tell you where it's parked?

You no longer need to ask yourself where you left your car; with Mercedes connect me you can locate your car from your smartphone or tablet within a mile radius.



1. PARKED VEHICLE LOCATOR
2. VEHICLE TRACKER

3. REMOTE RETRIEVAL OF VEHICLE STATUS
4. PRE-ENTRY CLIMATE CONTROL FOR ELECTRIC DRIVE AND PLUG-IN HYBRID

...you could lock your Mercedes, even if you're miles away?

The uncertainty of whether you've forgotten to lock the car is only human. To make sure your Mercedes-Benz is safe and secure, you can simply lock the car remotely via your PC/Mac, tablet or smartphone.

...your Mercedes told you when your service is due?

Being connected means essential data is constantly sent to your Mercedes-Benz Retailer so they know when it is time for a service. Your Retailer can then contact you with a tailor-made service quote.

...your Retailer already knows which parts need replacing?

As surprising as this sounds, with telediagnosics your Retailer can recognise remotely if certain parts are due for replacement, contacting you to book an appointment and making sure the relevant parts are in stock when you arrive, getting you back on the road as quickly as possible.

...you could just push a button to deal with a breakdown?

Should your car break down, with a simple press of the button everything is taken care of – from breakdown assistance to vehicle recovery.

...your Mercedes called for help?

Your Mercedes comes with an SOS button. Press it if you need urgent help and you will be contacted by the emergency response centre.² In the event of an accident where airbags or seatbelt tensioners have been activated, a call is placed automatically. Your GPS position is sent to the response teams to initiate rescue efforts.³

The Mercedes that thinks and acts for you.

Contact your Retailer to get connected, or go to www.mercedes.me for more details.

¹This is available as an option in conjunction with Audio 20 CD, and standard with COMAND Online. Remote Online is standard with electric drive and plug-in hybrid. Use of the Remote Online equipment option is limited to three years from first registration of the vehicle and can then be extended at extra cost.

²A call is placed via the car's sim card, rather than the customer relying on their mobile phone.

³This feature is still available to customers without Mercedes connect me services. The customer is not required to accept the terms and conditions on the portal to activate this feature. For all other features the customer will have to accept terms and conditions on the portal to activate them.

Mercedes-Benz Finance

Why should you finance with Mercedes-Benz?

At Mercedes-Benz we believe a great driving experience should be matched by an equally great ownership experience. That is why we put just as much thought, time and effort into designing our finance options, our service plans and our insurance cover as we do into our vehicles.

We are not in the business of simply providing a loan to fund the purchase of your dream vehicle. We look on it as a journey that we take with you, from the moment you choose your new Mercedes-Benz, to helping you in choosing your next one.

If you would like to find out more about any of our current offers, simply call into your local Mercedes-Benz Retailer where one of our Business Managers will be more than happy to talk you through anything you need to know.

Helping you find the right solution.

You should find our finance packages are more convenient than a traditional personal loan because:

- Funds are immediately available – no waiting for cheques or loans to clear.
- There is no security required – either against your home or other assets.
- We have clear and transparent rates – the APR we quote is the APR you get.
- We have friendly Business Managers – experts in vehicle finance who can talk you through all of your plans in detail.

One of our most popular finance products is Mercedes-Benz Agility (our Personal Contract Purchase product). We also offer Contract Hire, Operating Lease and Hire Purchase solutions. If you would like to find out more about these speak to your Retailer or visit www.mercedes-benz.co.uk/fandi.

Mercedes-Benz Agility (our PCP product).

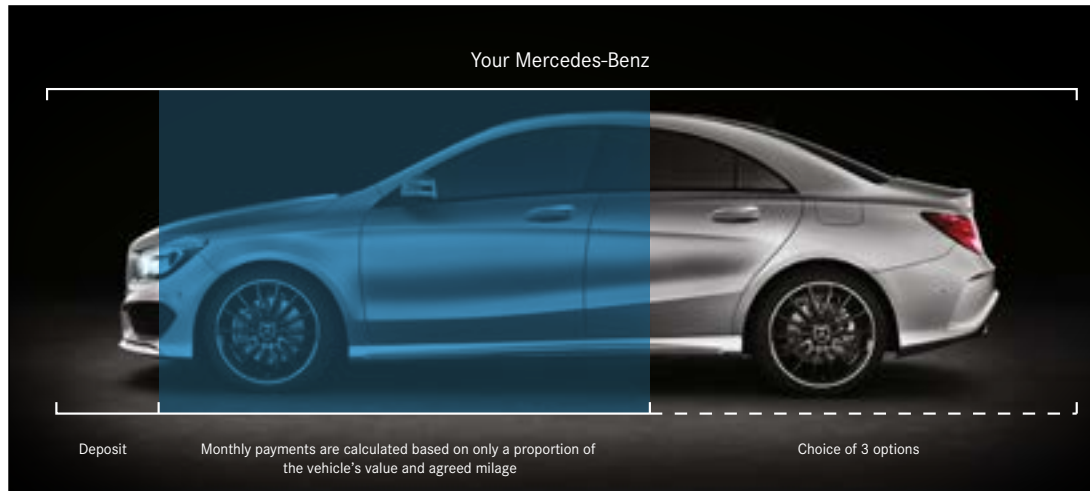
At the start of an Agility agreement, you put down a deposit and decide the term of your agreement and your annual mileage. You will be advised of the Guaranteed Future Value, which offers you the reassurance of knowing exactly what you will need to pay to own the vehicle outright in the future (this is known as the Optional Purchase Payment).

Throughout your agreement you simply pay your agreed monthly payments and when the agreement comes to an end you either purchase, hand back or part-exchange your vehicle.



Agility features:

- Fixed regular payments mean you can easily budget.
- Payments are based only on a proportion of the vehicle's value, keeping your monthly payments lower.
- Our Guaranteed Future Value avoids the risk of unplanned depreciation of your vehicle.
- You defer your ownership decision until the end of the agreement.



At the end of your agreement you have three options to choose from.

Option 1: Purchase your Mercedes-Benz.

Purchase your Mercedes-Benz by paying the Optional Purchase Payment and Purchase Activation Fee.¹ This will complete the purchase of your Mercedes-Benz, leaving you free to simply enjoy your vehicle.

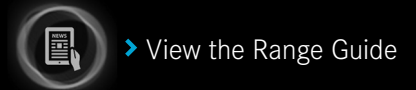
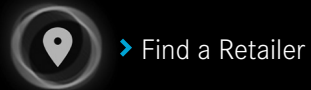
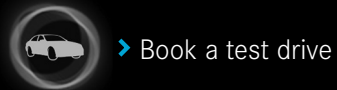
Option 2: Hand back your Mercedes-Benz.

If you decide to return your vehicle to us, it must be in line with our Vehicle Return Standards,^{*} as vehicle condition, excess mileage and other charges may be payable.


Option 3: Part-Exchange for a new vehicle.


Purchase your Mercedes-Benz by paying the Optional Purchase Payment and Purchase Activation Fee.¹ This will complete the purchase of your Mercedes-Benz, leaving you free to part-exchange for a new vehicle.


¹Please note the 'Purchase Activation Fee' of £10 will be debited from your account *To find out more information about our Vehicle Return Standards please visit <http://mercedes-benz.co.uk/vrs>




Follow us on the following social media channels:

 <https://www.facebook.com/MercedesBenzUk>

 <https://twitter.com/mercedesbenzuk>

 <https://www.youtube.com/mercedesbenzuk>

 <https://instagram.com/mercedesbenzuk>

Effective from 1 September 2015. Information correct at time of going to print.

Prices and specifications are subject to change without prior notice.

MBW246PL/1015

Mercedes-Benz UK Ltd, Tongwell, Milton Keynes, MK15 8BA www.mercedes-benz.co.uk



Mixed Sources

Product group from well-managed forests, controlled sources and recycled wood or fibre
www.fsc.org Cert no. SGS-COC-004556
©1996 Forest Stewardship Council

