



View offers

- > Saloon
- > Estate



Book a test drive

- > Saloon
- > Estate
- > AMG



Find a Retailer



View the Range Guide

E-Class

Saloon and Estate



Effective from 1 September 2015.

Mercedes-Benz





View offers

- > Saloon
- > Estate



Book a test drive

- > Saloon
- > Estate
- > AMG



Find a Retailer



View the Range Guide

Contents

Model prices	10	Optional equipment	31	Colours and materials	56
Finance offers	12	designo	34	Technical data	60
Model lines	18	AMG model lines	36	Road Fund Licence	68
Standard equipment	22	Mercedes-AMG driver training	40	Services and insurance	69
Wheels	26	AMG standard equipment	42	Mercedes me	70
Premium and Premium Plus packages	28	AMG optional equipment	46	Mercedes-Benz Finance	72
Pricing Summary for Premium and Premium Plus packages	30	Genuine Accessories	52		



View offers

- > Saloon
- > Estate



Book a
test drive

- > Saloon
- > Estate
- > AMG



> Find a Retailer



> View the Range Guide

The hard facts to melt your heart

At Mercedes-Benz we appreciate the importance of detail. Over the following pages you'll find model prices and a breakdown of standard and optional equipment, as well as details of the comprehensive services and benefits that are available to every Mercedes-Benz driver.

See Mercedes-Benz in a new light. Now is the time to get yourself behind the wheel of an E-Class. Choose from a number of attractive finance offers. Please see pages 12-17 for further details, or visit www.mercedes-benz.co.uk/offers

Of course, some things have to be experienced to be truly appreciated, such as the qualities that set a Mercedes-Benz apart. Which is why we'd like to invite you for a test drive at your local Mercedes-Benz Retailer. Alternatively, you can make arrangements by visiting www.mercedes-benz.co.uk/testdrive

For more information visit www.mercedes-benz.co.uk or call 0333 222 0500.



View offers

- > Saloon
- > Estate



Book a test drive

- > Saloon
- > Estate
- > AMG



Find a Retailer



View the Range Guide

4



Some of the model features, optional extras and colours shown may not be available, or may only be available in a different specification.



View offers

- > Saloon
- > Estate



Book a test drive

- > Saloon
- > Estate
- > AMG



Find a Retailer



View the Range Guide



Some of the model features, optional extras and colours shown may not be available, or may only be available in a different specification.



View offers
▶ Saloon
▶ Estate



Book a test drive
▶ Saloon
▶ Estate
▶ AMG



▶ Find a Retailer



▶ View the Range Guide

6



Some of the model features, optional extras and colours shown may not be available, or may only be available in a different specification.



View offers
➤ Saloon
➤ Estate



Book a test drive
➤ Saloon
➤ Estate
➤ AMG



➤ Find a Retailer



➤ View the Range Guide



Some of the model features, optional extras and colours shown may not be available, or may only be available in a different specification.



View offers
➤ Saloon
➤ Estate



Book a
test drive
➤ Saloon
➤ Estate
➤ AMG



➤ Find a Retailer



➤ View the Range Guide

8





View offers > Saloon
> Estate



Book a test drive > Saloon
> Estate
> AMG



> Find a Retailer



> View the Range Guide



Some of the model features, optional extras and colours shown may not be available, or may only be available in a different specification.



Model prices – Saloon

Engine	Model line	Transmission	CO ₂	Basic RRP excl. VAT (£)	Total RRP incl. VAT (£)	Road Fund Licence (£) ¹	Rec. OTR price (£) ²	P11D value (£)	BiK tax rate 2015/16 (%)
E 220 BlueTEC Diesel – 2,143 cc, 4-cylinder, 177 hp/130 kW	SE	7G-TRONIC PLUS 7-speed automatic ^{4,5}	114	28,500.00	34,200.00	0.00	34,870.00	34,815.00	20
	AMG Night Edition	7G-TRONIC PLUS 7-speed automatic ^{4,5}	121	30,745.83	36,895.00	0.00	37,565.00	37,510.00	22
E 350 BlueTEC Diesel – 2,987 cc, 6-cylinder, 258 hp/190 kW	AMG Night Edition	9G-TRONIC PLUS 9-speed automatic ^{4,5}	136	34,341.67	41,210.00	130.00	42,010.00	41,825.00	25
E 250 Petrol – 1,991 cc, 4-cylinder, 211 hp/155 kW	SE	7G-TRONIC PLUS 7-speed automatic ^{4,5}	138	29,391.67	35,270.00	130.00	36,070.00	35,885.00	22
	AMG Night Edition	7G-TRONIC PLUS 7-speed automatic ^{4,5}	138	31,637.50	37,965.00	130.00	38,765.00	38,580.00	22
Mercedes-AMG									
Mercedes-AMG E 63 Petrol – 5,461 cc, 8-cylinder, 557 hp/410 kW	AMG	AMG MCT 7-speed automatic ^{3,4}	233	60,987.50	73,185.00	870.00	74,725.00	73,800.00	37
Mercedes-AMG E 63 S Petrol – 5,461 cc, 8-cylinder, 585 hp/430 kW	AMG	AMG MCT 7-speed automatic ^{3,4}	235	69,316.67	83,180.00	870.00	84,720.00	83,795.00	37



View offers

> Saloon

> Estate



Book a test drive

> Saloon

> Estate

> AMG



> Find a Retailer



> View the Range Guide

Model prices – Estate

Engine	Model line	Transmission	CO ₂	Basic RRP excl. VAT (£)	Total RRP incl. VAT (£)	Road Fund Licence (£) ¹	Rec. OTR price (£) ²	P11D value (£)	BiK tax rate 2015/16 (%)
E 220 BlueTEC Diesel – 2,143 cc, 4-cylinder, 177 hp/130 kW	SE	7G-TRONIC PLUS 7-speed automatic ^{4,5}	124	29,991.67	35,990.00	0.00	36,660.00	36,605.00	22
	AMG Night Edition	7G-TRONIC PLUS 7-speed automatic ^{4,5}	130	32,237.50	38,685.00	0.00	39,355.00	39,300.00	24
E 350 BlueTEC Diesel – 2,987 cc, 6-cylinder, 258 hp/190 kW	AMG Night Edition	9G-TRONIC PLUS 9-speed automatic ^{4,5}	143	35,833.33	43,000.00	145.00	43,815.00	43,615.00	26
E 250 Petrol – 1,991 cc, 4-cylinder, 211 hp/155 kW	SE	7G-TRONIC PLUS 7-speed automatic ^{4,5}	147	30,883.33	37,060.00	145.00	37,875.00	37,675.00	24
	AMG Night Edition	7G-TRONIC PLUS 7-speed automatic ^{4,5}	147	33,129.17	39,755.00	145.00	40,570.00	40,370.00	24
Mercedes-AMG									
Mercedes-AMG E 63 Petrol – 5,461 cc, 8-cylinder, 557 hp/410 kW	AMG	AMG MCT 7-speed automatic ^{3,4}	237	62,479.17	74,975.00	870.00	76,515.00	75,590.00	37
Mercedes-AMG E 63 S Petrol – 5,461 cc, 8-cylinder, 585 hp/430 kW	AMG	AMG MCT 7-speed automatic ^{3,4}	237	70,808.33	84,970.00	870.00	86,510.00	85,585.00	37

¹A different first year rate of Vehicle Excise Duty (Road Fund Licence) applies for new cars. Please refer to page 68 for the relevant rate for the second and subsequent years

²Recommended on-the-road price: these prices reflect the Road Fund Licence applicable to the standard model plus £670.00 additional costs necessary to put your car on the road.

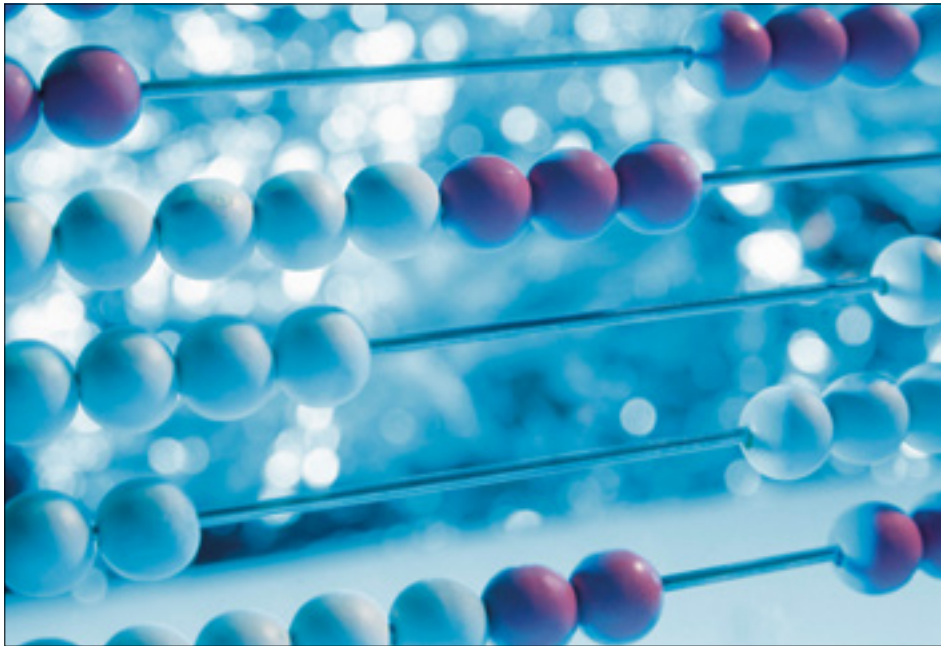
Included are a standard UK delivery charge (£540.00 incl. VAT), new vehicle registration fee (£55.00), number plates (£25.00 incl. VAT) and fuel (£50.00 incl. VAT). VAT is calculated at the standard rate of 20%

³With SPEEDTRONIC cruise control ⁴With ECO start/stop function ⁵With DIRECT SELECT and SPEEDTRONIC cruise control



Mercedes-Benz Finance

Even the finance offer is beautifully put together



E 220 BlueTEC SE Saloon with automatic transmission and metallic paint (representative example)

36 monthly payments of ¹	£349.00
On-the-road price	£35,515.00
Customer deposit	£4,999.00
Retailer deposit contribution	£5,153.26
Duration of agreement	36 months
Optional purchase payment ²	£16,700.00
Purchase activation fee ²	£10.00
Amount of credit	£25,362.74
Total amount payable ³	£39,426.26
Representative APR	6.3% APR
Fixed interest rate	6.11%



View offers

- > Saloon
- > Estate



Book a test drive

- > Saloon
- > Estate
- > AMG



> Find a Retailer



> View the Range Guide

Example offer – 6.3% APR Representative

	Automatic	Metallic	On-the-road price	Retailer deposit contribution	Customer deposit	36 monthly payments of ¹
E 220 BlueTEC AMG Night Edition Saloon	●	○	£38,210.00	£4,853.93	£4,999.00	£399.00
E 300 BlueTEC Hybrid SE Saloon	●	○	£41,125.00	£5,153.26	£5,901.84	£455.00

● Standard equipment ○ Optional equipment included in the price

Mercedes-Benz Service Care

- Mercedes-Benz trained Technicians
- Maintained by Mercedes-Benz Official Workshops
- Meets requirements of Mercedes-Benz Agility finance agreement

Mercedes-Benz Motor Insurance

- 24/7 UK accident recovery
- Only Mercedes-Benz GenuineParts used
- To qualify for up to 10% discount online, go to www.mercedes-benz.co.uk/motorinsurance
- Alternatively, call Mercedes-Benz Motor Insurance now on **0345 600 2180**⁴ for an annual quote

We may decline to quote in some circumstances. Mercedes-Benz Motor Insurance is underwritten by Aviva Insurance Limited

Whilst these offers are only available with Mercedes-Benz Finance, our Mercedes-Benz Retailers do arrange finance on behalf of other finance companies as well.

Orders/credit approvals on selected E-Class Saloon models between 1 July and 30 September 2015, registered by 31 December 2015. Some combinations of features/options may not be available. Please contact your local Mercedes-Benz Retailer for availability

¹Based on a Mercedes-Benz Agility agreement and 10,000 miles per annum. Vehicle condition, excess mileage and other charges may be payable. Quotations available on request for alternative contract lengths and mileages.

Guarantees and indemnities may be required. Terms and Conditions apply. Credit provided subject to status by Mercedes-Benz Financial Services UK Ltd, MK15 8BA

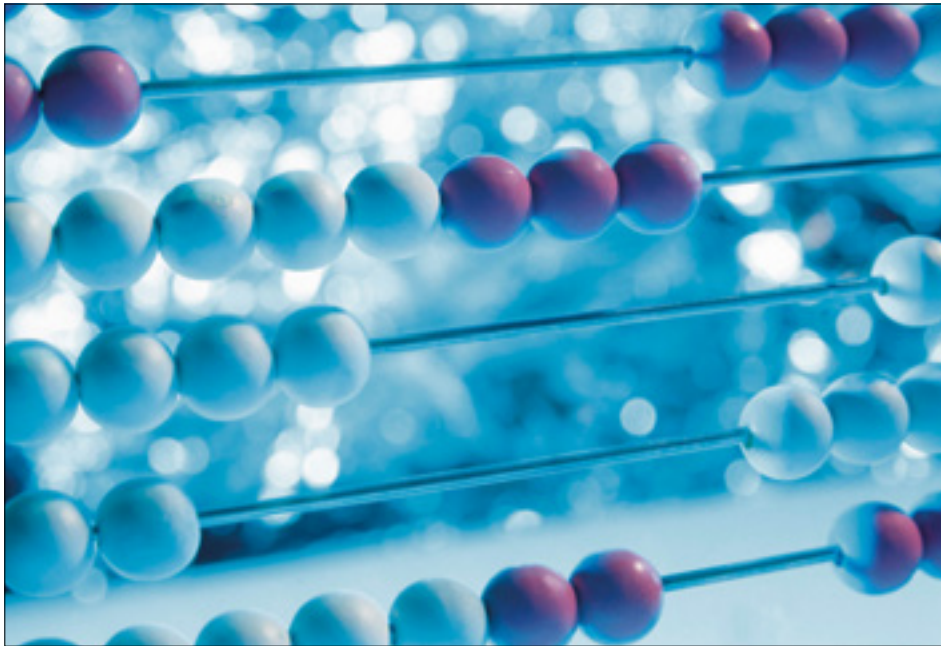
²Payable if you exercise the option to purchase the car. Guaranteed future value if you choose to hand back the vehicle at the end of the contract

³Includes optional purchase payment, purchase activation fee and Retailer deposit contribution ⁴Calls are charged at local rate and may be recorded



Mercedes-Benz Finance

It comes with a specification list worth exploring



E 220 BlueTEC SE Estate with automatic transmission and metallic paint (representative example)

36 monthly payments of ¹	£359.00
On-the-road price	£37,305.00
Customer deposit	£4,999.00
Retailer deposit contribution	£5,178.33
Duration of agreement	36 months
Optional purchase payment ²	£18,425.00
Purchase activation fee ²	£10.00
Amount of credit	£27,127.67
Total amount payable ³	£41,536.33
Representative APR	6.3% APR
Fixed interest rate	6.11%



View offers

- > Saloon
- > Estate



Book a test drive

- > Saloon
- > Estate
- > AMG



> Find a Retailer



> View the Range Guide

**Example offer –
6.3% APR Representative**

	Automatic	Metallic	On-the-road price	Retailer deposit contribution	Customer deposit	36 monthly payments of ¹
E 220 BlueTEC AMG Night Edition Estate	●	○	£40,000.00	£5,178.33	£4,810.11	£405.00
E 300 BlueTEC Hybrid SE Estate	●	○	£42,915.00	£5,178.33	£5,881.02	£465.00

● Standard equipment ○ Optional equipment included in the price

Mercedes-Benz Service Care

- Mercedes-Benz trained Technicians
- Maintained by Mercedes-Benz Official Workshops
- Meets requirements of Mercedes-Benz Agility finance agreement

Mercedes-Benz Motor Insurance

- 24/7 UK accident recovery
- Only Mercedes-Benz GenuineParts used
- To qualify for up to 10% discount online, go to www.mercedes-benz.co.uk/motorinsurance
- Alternatively, call Mercedes-Benz Motor Insurance now on **0345 600 2180⁴** for an annual quote

We may decline to quote in some circumstances. Mercedes-Benz Motor Insurance is underwritten by Aviva Insurance Limited

Whilst these offers are only available with Mercedes-Benz Finance, our Mercedes-Benz Retailers do arrange finance on behalf of other finance companies as well.

Orders/credit approvals on selected E-Class Estate models between 1 July and 30 September 2015, registered by 31 December 2015. Some combinations of features/options may not be available. Please contact your local Mercedes-Benz Retailer for availability

¹Based on a Mercedes-Benz Agility agreement and 10,000 miles per annum. Vehicle condition, excess mileage and other charges may be payable. Quotations available on request for alternative contract lengths and mileages.

Guarantees and indemnities may be required. Terms and Conditions apply. Credit provided subject to status by Mercedes-Benz Financial Services UK Ltd, MK15 8BA

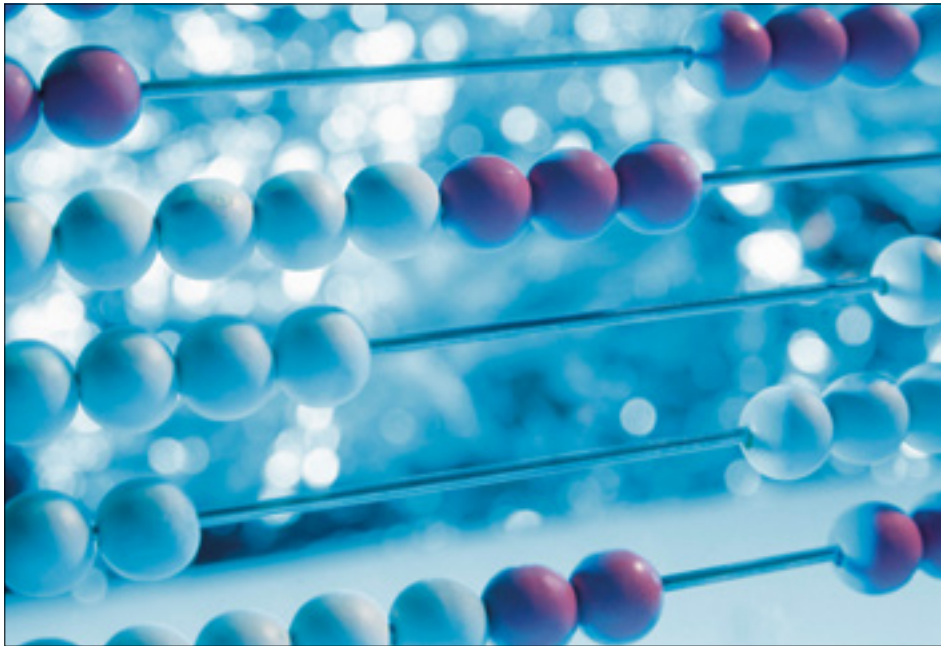
²Payable if you exercise the option to purchase the car. Guaranteed future value if you choose to hand back the vehicle at the end of the contract

³Includes optional purchase payment, purchase activation fee and Retailer deposit contribution ⁴Calls are charged at local rate and may be recorded



Mercedes-Benz Finance

The finance plan is designed to impress too



Mercedes-AMG E 63 Saloon with automatic transmission and metallic paint (representative example)

36 monthly payments of ¹	£799.00
On-the-road price	£74,725.00
Customer deposit	£7,999.00
Retailer deposit contribution	£11,290.87
Duration of agreement	36 months
Optional purchase payment ²	£35,075.00
Purchase activation fee ²	£10.00
Amount of credit	£55,435.13
Total amount payable ³	£83,138.87
Representative APR	6.3% APR
Fixed interest rate	6.11%



View offers

- > Saloon
- > Estate



Book a test drive

- > Saloon
- > Estate
- > AMG



Find a Retailer



View the Range Guide

**Example offer –
6.3% APR Representative**

	Automatic	Metallic	On-the-road price	Retailer deposit contribution	Customer deposit	36 monthly payments of ¹
Mercedes-AMG E 63 Estate	●	●	£76,515.00	£12,206.32	£7,999.00	£799.00

● Standard equipment

Mercedes-Benz Service Care

- Mercedes-Benz trained Technicians
- Maintained by Mercedes-Benz Retailers
- Meets requirements of Mercedes-Benz Agility finance agreement

Mercedes-Benz Motor Insurance

- 24/7 UK accident recovery
- Only Mercedes-Benz GenuineParts used
- To qualify for up to 10% discount online, go to www.mercedes-benz.co.uk/motorinsurance
- Alternatively, call Mercedes-Benz Motor Insurance now on **0345 600 2180⁴** for an annual quote

We may decline to quote in some circumstances. Mercedes-Benz Motor Insurance is underwritten by Aviva Insurance Limited

Whilst these offers are only available with Mercedes-Benz Finance, our Mercedes-Benz Retailers do arrange finance on behalf of other finance companies as well.

Orders/credit approvals on Mercedes-AMG E 63 Saloon/Estate models between 1 July and 30 September 2015, registered by 31 December 2015; excluding non-AMG models. Some combinations of features/options may not be available. Please contact your local Mercedes-Benz Retailer for availability

¹Based on a Mercedes-Benz Agility agreement and 10,000 miles per annum. Vehicle condition, excess mileage and other charges may be payable. Quotations available on request for alternative contract lengths and mileages.

Guarantees and indemnities may be required. Terms and Conditions apply. Credit provided subject to status by Mercedes-Benz Financial Services UK Ltd, MK15 8BA

²Payable if you exercise the option to purchase the car. Guaranteed future value if you choose to hand back the vehicle at the end of the contract

³Includes optional purchase payment, purchase activation fee and Retailer deposit contribution ⁴Calls are charged at local rate and may be recorded



View offers

- > Saloon
- > Estate



Book a test drive

- > Saloon
- > Estate
- > AMG



Find a Retailer



View the Range Guide

18

E-Class SE





View offers

- > Saloon
- > Estate



Book a test drive

- > Saloon
- > Estate
- > AMG



Find a Retailer



View the Range Guide

Maximum comfort, a wide range of electronic assistants for a more convenient and safer drive, plenty of elegance – the E-Class SE has it all. Starting with the striking front fascia featuring LED Intelligent Light System, 5-twin-spoke design 17" alloy wheels, and, to finish off, LED tail lamps and twin-pipe exhaust system with squared, integrated tailpipes in stainless steel. Technology to help you park with ease courtesy of Active Parking

Assist; Direct Steering and a lowered suspension for an engaging ride; COLLISION PREVENTION ASSIST PLUS – doing just that, and the COMAND Online system to answer all your multimedia needs. The interior is appointed with elegant leather upholstery, a nappa leather-trimmed multi-function steering wheel and THERMATIC automatic climate control.

Exterior

- 17" alloy wheels – 5-twin-spoke design
- Direct Steering – speed-sensitive power steering
- EASY-PACK automatic powered tailgate (Estate only)
- EASY-PACK load securing kit with rear sill protector (Estate only)
- Exterior mirrors – heated and electrically adjustable
- Active Parking Assist with PARKTRONIC – front and rear
- LED Intelligent Light System – High Performance Headlamps, including Active Light System, cornering light function and Adaptive Highbeam Assist
- Rain-sensing wipers
- Twin-pipe exhaust system with squared, integrated tailpipes in stainless steel

- COLLISION PREVENTION ASSIST PLUS
- COMAND Online system – 7-inch display with central controller dial
- DAB digital radio tuner
- Leather upholstery and heated front seats
- Steering wheel – 3-spoke multi-function steering wheel with nappa leather-trimmed and gearshift
- THERMATIC – automatic climate control with digital display

Interior

- ATTENTION ASSIST – monitors steering behaviour and can help alert to long journey fatigue
- Bluetooth® interface for hands-free telephony

Trim and Upholstery

Dark aluminium



Leather – black	Leather – silk beige	Leather – crystal grey	Leather – chestnut brown	Leather – porcelain
				



View offers

- > Saloon
- > Estate



Book a test drive

- > Saloon
- > Estate
- > AMG



Find a Retailer



View the Range Guide

20

E-Class AMG Night Edition





View offers

- > Saloon
- > Estate



Book a test drive

- > Saloon
- > Estate
- > AMG



Find a Retailer



View the Range Guide

The E-Class AMG Night Edition is equipped with exclusive styling and performance features. They include bi-coloured 5-twin-spoke design 18" AMG alloy wheels, AMG bodystyling all-round with high-gloss black trim strips and twin-pipe exhaust system with squared, integrated tailpipes in stainless steel. To enhance the sporty credentials, the AMG Night Edition features exterior mirror housings, louvres and beltline trim strips in high-gloss black. The interior features sports seats in leather with dark aluminium trim,

a 3-spoke multi-function AMG sports steering wheel in nappa leather with flattened bottom section and brushed stainless steel sports pedals with rubber studs, to complete the sporty appearance.

AMG Night Edition upgrade – designed and priced as a package, including additional luxury items as listed below.

Upgrade price (from SE)

Total incl. VAT¹ £2,695.00

Exterior

- 18" AMG alloy wheels – bi-colour 5-twin-spoke design
- AMG bodystyling – front and rear apron, side skirts
- Beltline trim strip and window surround - high-gloss black
- DIRECT CONTROL sports suspension – firmer damper set up
- Exterior mirror housings – high-gloss black
- Front and rear apron trim strip and front splitter – high-gloss black
- Front brakes with perforated discs and calipers with 'Mercedes-Benz' lettering
- Radiator grille – 2 louvres in high-gloss black
- Roof rails – high-gloss black (Estate only)
- Twin-pipe exhaust system with squared, integrated tailpipes in stainless steel

Interior

- 3-spoke multi-function AMG sports steering wheel in nappa leather with flattened bottom section
- Black roof lining
- Brushed stainless steel sports pedals with rubber studs and AMG floor mats
- Sports seats upholstered in leather with light contrast stitching
- THERMATIC – automatic climate control with digital display

Trim and Upholstery

Dark aluminium



Leather – black



Leather – silk beige



Leather – crystal grey



Leather – chestnut brown



Leather – porcelain



¹Recommended Retail Price: this price will vary according to engine chosen, due to Road Fund Licence



View offers

> Saloon

> Estate



Book a test drive

> Saloon

> Estate

> AMG



> Find a Retailer



> View the Range Guide

22

Standard equipment

Item	AMG Night Edition	
	SE	
Transmission and Suspension		
DIRECT CONTROL suspension	●	●
ECO start/stop function	●	●
Rear air suspension with self levelling (Estate only)	●	●
Exterior		
Mirror package – auto-dimming rear-view mirror and driver's exterior mirror, folding exterior mirrors	●	●
Active Parking Assist with PARKTRONIC – front and rear	●	●
AMG bodystyling – front and rear apron, side skirts	–	●
Beltline trim strip and window surround – high-gloss black	–	●
Chrome trim on side and rear bumper	●	–
Diesel Particulate Filter (DPF) on all diesel engines	●	●
Door handles – body-coloured	●	●
EASY-PACK automatic powered tailgate (Estate only)	●	●

Item	AMG Night Edition	
	SE	
Exterior mirror housings – high-gloss black	–	●
Exterior mirrors – heated and electrically adjustable	●	●
Front and rear apron trim strip and front splitter – high-gloss black	–	●
Front brakes with perforated discs and calipers with 'Mercedes-Benz' lettering	–	●
Heated windscreen wash system	●	●
LED tail lamps, indicators and third brake light	●	●
LED Intelligent Light System – High Performance Headlamps, including Active Light System, cornering light function and Adaptive Highbeam Assist	●	●
Radiator grille – 2 louvres in high-gloss black	–	●
Rain-sensing wipers	●	●
Rear windscreen wiper (Estate only)	●	●
Roof rails – aluminium-look (Estate only)	●	–
Roof rails – high-gloss black (Estate only)	–	●
Twin-pipe exhaust system with squared, integrated tailpipes in stainless steel	●	●



View offers

> Saloon

> Estate



Book a test drive

> Saloon

> Estate

> AMG



> Find a Retailer



> View the Range Guide

Standard equipment

23

Item	SE	AMG Night Edition
Interior		
Ambient lighting in door panels, with dimmer function Three-tone: neutral, solar, polar	●	●
AMG floor mats	-	●
Boot release interior switch in driver's door	●	●
Brushed stainless steel sports pedals with rubber studs	-	●
Colour instrument cluster	●	●
Door pockets front and rear, map pockets on rear of front seat backrests	●	●
Door sill panels with stainless steel inlays, front with 'Mercedes-Benz' lettering	●	●
EASY-PACK folding load compartment floor (Estate only)	●	●
EASY-PACK load compartment cover and load retaining net (Estate only)	●	●
EASY-PACK load securing kit with rear sill protector (Estate only)	●	●
Electric windows (4) with one-touch opening and closing, including obstruction sensors	●	●
Front centre armrest with stowage compartment, two-part lid	●	●
Front seats with electrical height/back adjustment	●	●

Item	SE	AMG Night Edition
Glove compartment, ventilated and lockable	●	●
Heated front seats	●	●
Interior stowage – front cup holder, front stowage compartment with 12V socket	●	●
Rear armrest with compartment and double cup holder	●	●
Rear head restraints, manually adjustable for height	●	●
Rear seats – split folding 1/3:2/3, with EASY-PACK Quickfold – handle on C- and D-pillar for folding rear seat backrest down (Estate only)	●	●
Service indicator ASSYST PLUS	●	●
Spare wheel – space-saver, steel, with wheel bolts Not available on E 220 BlueTEC and E 350 BlueTEC	●	●
Sun visors with illuminated vanity mirrors	●	●
THERMATIC – automatic climate control, two-zone, independently adjustable for driver and passenger, single vent in centre console for rear passengers	●	●
TIREFIT with electric pump E 220 BlueTEC and E 350 BlueTEC only	●	●



View offers

> Saloon

> Estate



Book a test drive

> Saloon

> Estate

> AMG



> Find a Retailer



> View the Range Guide

Item	AMG Night Edition	
	SE	
Steering		
3-spoke multi-function AMG steering wheel, nappa leather-trimmed steering wheel and gearshift	-	●
3-spoke multi-function steering wheel, nappa leather-trimmed steering wheel and gearshift	●	-
Direct Steering - speed-sensitive power steering	●	●
Steering column with adjustable height and reach	●	●
Steering wheel gearshift paddles	●	●
Paint, Trim and Upholstery		
Paint - non-metallic	●	●
Trim - dark aluminium	●	●
Upholstery - leather	●	●

Item	AMG Night Edition	
	SE	
Security and Safety		
Active bonnet - pedestrian safety measure which detects an impact and raises bonnet by 50mm, creating additional crumple zone	●	●
ADAPTIVE BRAKE system - hydraulic braking system including full HOLD function	●	●
Alarm system with immobiliser and interior protection	●	●
Anti-lock braking system (ABS) with Brake Assist (BAS)	●	●
ATTENTION ASSIST - monitors steering behaviour and can help alert to long journey fatigue	●	●
Automatic child seat recognition sensor - works in conjunction with Mercedes-Benz child seats fitted with transponder	●	●
COLLISION PREVENTION ASSIST PLUS	●	●
Cruise control with SPEEDTRONIC variable speed limiter	●	●
Electronic Stability Programme (ESP®) with Acceleration Skid Control (ASR)	●	●
First-aid kit and warning triangle in boot	●	●



View offers

- > Saloon
- > Estate



Book a test drive

- > Saloon
- > Estate
- > AMG



Find a Retailer



View the Range Guide

Standard equipment

25

Item	SE	AMG Night Edition
Security and Safety (continued)		
Integrated side impact protection	●	●
ISOFIX child seat fixings in rear (two outer seats)	●	●
Locking wheel bolts	●	●
Multi-stage airbags for driver and front passenger; sidebags in front seats; pelvisbags for driver and front passenger; windowbags for driver, front passenger and rear passengers; and driver's kneebag	●	●
NECK-PRO front head restraints	●	●
Outside temperature display, rear seat belt status indicator	●	●
PRE-SAFE® anticipatory safety system	●	●
Remote central locking, with acoustic closing settings	●	●
Tyre pressure monitoring system	●	●

Item	SE	AMG Night Edition
Communications and In-Car Entertainment		
Aerial integrated into rear window	●	●
Bluetooth® interface for hands-free telephony	●	●
Central controller dial to operate audio functions and telephone (when connected)	●	●
COMAND Online system Includes radio, single CD/DVD, 7-inch colour display, hard disk drive (HDD) navigation with 3D map display, Live Traffic Information and European map data updates free of charge for the first three years. Single CD/DVD and LINGUATRONIC voice control. Mercedes 'connect me' services, emergency call system (eCall) and access to internet sites when vehicle is stationary, plus unrestricted use of Mercedes-Benz apps (internet-enabled mobile phone required). Integrated WLAN hotspot for onboard access of WLAN-enabled devices. Media Interface allows connectivity and control of portable media devices (e.g. MP3 player, smart phone, USB storage). DVD function is audio and video capable. Region 2 DVDs only	●	●
DAB digital radio tuner	●	●
Mercedes 'connect me' (standard services) Including emergency call system (eCall), accident recovery, breakdown and maintenance management	●	●
Two USB ports and an SD card slot	●	●



View offers

- > Saloon
- > Estate



Book a test drive

- > Saloon
- > Estate
- > AMG







Find a Retailer



View the Range Guide

A revolution in style

Item	Notes		SE	AMG Night Edition	Mercedes-AMG E 63	Mercedes-AMG E 63 S	Basic RRP excl. VAT (£)	Total RRP incl. VAT (£)
Wheels								
17" alloy wheels (4) – 5-twin-spoke design 225/50 tyres	Standard on E 220 BlueTEC SE Saloon and Estate only		44R	●	-	-	-	-
245/45 tyres	Standard on all other Saloon and Estate engines							
18" AMG alloy wheels (4) – 5-twin-spoke design, bi-colour front: 245/40 tyres rear: 265/35 tyres			672	-	●	-	-	-
19" AMG alloy wheels (4) – 7-twin-spoke design, bi-colour front: 245/35 tyres rear: 275/30 tyres	Not in conjunction with tow bar (code 550)		644	-	○	-	495.83	595.00
19" AMG alloy wheels (4) – 10-spoke design front: 255/35 tyres rear: 285/30 tyres	With red brake calipers on Mercedes-AMG E 63 S		797	-	-	●	-	-
					-	○	no-cost option	

● Standard ○ Optional - Not available



View offers

> Saloon

> Estate



Book a test drive

> Saloon

> Estate




> AMG



> Find a Retailer



> View the Range Guide

Item	Notes		SE	AMG Night Edition	Mercedes-AMG E 63	Mercedes-AMG E 63 S	Basic RRP excl. VAT (£)	Total RRP incl. VAT (£)	
Wheels (continued)									
19" AMG alloy wheels (4) – 10-spoke design, painted in matt titanium grey front: 255/35 tyres rear: 285/30 tyres			662	-	-	-	•	-	-
19" AMG alloy wheels (4) – 10-spoke design, painted in matt black front: 255/35 tyres rear: 285/30 tyres	With red brake calipers on Mercedes-AMG E 63 S		752	-	-	○	○	425.00	510.00
19" AMG alloy wheels (4) – 5-twin-spoke design forged wheels front: 255/35 tyres rear: 285/30 tyres	With red brake calipers on Mercedes-AMG E 63 S		785	-	-	○	○	1,491.67	1,790.00



View offers
 > Saloon
 > Estate



Book a test drive
 > Saloon
 > Estate
 > AMG



> Find a Retailer



> View the Range Guide

Premium and Premium Plus packages



EASY-PACK Quickfold (standard on Estate)



Memory package



Panoramic electric glass sunroof



Reversing camera



KEYLESS-GO Comfort package¹



Harman Kardon[®] Logic 7[®] surround sound system



View offers

- > Saloon
- > Estate



Book a test drive

- > Saloon
- > Estate
- > AMG



Find a Retailer



View the Range Guide

Why not look over our equipment packages to enhance and personalise your choice of new car? If you want to increase your comfort and add the

best in entertainment to the Saloon or Estate, the Premium package and Premium Plus package do just that.

E-Class Saloon

Package comprises:

Notes

Premium
£2,295.00³
(code DP0)

Premium Plus
£3,495.00³
(code DP1)

	Notes	Premium £2,295.00 ³ (code DP0)	Premium Plus £3,495.00 ³ (code DP1)
EASY-PACK Quickfold ²	Rear seats split folding 1/3:2/3	■	■
Memory package	Four-way lumbar support; fully electric front passenger and driver's seats; storage of seat, steering wheel and exterior mirror settings	■	■
Panoramic glass sunroof	Consisting of a fixed panoramic glass rear section and electrically operated sliding glass front section	■	■
Reversing camera	With static and dynamic guidelines	■	■
KEYLESS-GO Comfort package	Including automatic powered boot closing, ² hands-free access, keyless entry and keyless start	-	■
Surround sound system - Harman Kardon® Logic 7® with Dolby Digital 5.1 and DTS	14 high-performance speakers and additional amplifier	-	■

E-Class Estate

Package comprises:

Premium
£1,995.00³
(code DP0)

Premium Plus
£3,095.00³
(code DP1)

	Notes	Premium £1,995.00 ³ (code DP0)	Premium Plus £3,095.00 ³ (code DP1)
Memory package	Four-way lumbar support; fully electric front passenger and driver's seats; storage of seat, steering wheel and exterior mirror settings	■	■
Panoramic glass sunroof	Consisting of a fixed panoramic glass rear section and electrically operated sliding glass front section	■	■
Reversing camera	With static and dynamic guidelines	■	■
KEYLESS-GO	Including hands-free access, keyless entry and keyless start	-	■
Surround sound system - Harman Kardon® Logic 7® with Dolby Digital 5.1 and DTS	14 high-performance speakers and additional amplifier	-	■

■ Included - Not included ¹Including automatic powered boot closing as standard on Estate ²Standard on E-Class Estate ³Including VAT



View offers

- > Saloon
- > Estate



Book a test drive

- > Saloon
- > Estate
- > AMG



Find a Retailer



View the Range Guide

Pricing summary for Premium and Premium Plus packages

Model	Transmission	Recommended OTR price (£) ¹					
		SE	SE Premium	SE Premium Plus	AMG Night Edition	AMG Night Edition Premium	AMG Night Edition Premium Plus
Saloon							
E 220 BlueTEC	7G-TRONIC PLUS 7-speed automatic	34,870.00	37,165.00	38,365.00	37,565.00	39,860.00	41,060.00
E 350 BlueTEC	9G-TRONIC PLUS 9-speed automatic	-	-	-	42,010.00	44,305.00	45,505.00
E 250	7G-TRONIC PLUS 7-speed automatic	36,070.00	38,365.00	39,565.00	38,765.00	41,060.00	42,260.00
Estate							
E 220 BlueTEC	7G-TRONIC PLUS 7-speed automatic	36,660.00	38,655.00	39,755.00	39,355.00	41,350.00	42,450.00
E 350 BlueTEC	9G-TRONIC PLUS 9-speed automatic	-	-	-	43,815.00	45,810.00	46,910.00
E 250	7G-TRONIC PLUS 7-speed automatic	37,875.00	39,870.00	40,970.00	40,570.00	42,565.00	43,665.00

¹Recommended on-the-road price: these prices reflect the Road Fund Licence applicable to the standard model plus £670.00 additional costs necessary to put your car on the road. Included are a standard UK delivery charge (£540.00 incl. VAT), new vehicle registration fee (£55.00), number plates (£25.00 incl. VAT) and fuel (£50.00 incl. VAT). VAT is calculated at the standard rate of 20%



View offers

- > Saloon
- > Estate



Book a test drive

- > Saloon
- > Estate
- > AMG



Find a Retailer



View the Range Guide

Optional equipment

Item	Notes		SE	AMG Night Edition	Basic RRP excl. VAT (£)	Total RRP incl. VAT (£)
Suspension and Handling						
AIRMATIC air suspension with self levelling and Adaptive Damping System	Saloon only	489	<input type="radio"/>	<input type="radio"/>	1,212.50	1,455.00
	Estate only		<input type="radio"/>	<input type="radio"/>	879.17	1,055.00
Exterior						
360° camera Four networked cameras in front grille, wing mirror and boot capture a 360° bird's-eye view of the vehicle's immediate surroundings	Not in conjunction with reversing camera (code 218)	P44	<input type="radio"/>	<input type="radio"/>	595.83	715.00
	When ordering Premium package (code DP0) or Premium Plus package (code DP1), reversing camera (code 218) will be replaced with 360 camera				270.83	325.00
Privacy glass Includes side windows rear of B-pillar and rear windscreen	Estate only	840	<input type="radio"/>	<input type="radio"/>	304.17	365.00
Tow bar, manually folding – includes 13-pin socket When ordering this option, please discuss with your Retailer any specific electrical towing requirements	Excludes 7-pin adapter. Not available on E 220 BlueTEC SE Estate. When ordered with Premium package (code DP0) or Premium Plus package (code DP1) hands-free access (code 871) is removed. Not in conjunction with 19"AMG alloy wheels 7-twin-spoke design (code 644)	550	<input type="radio"/>	<input type="radio"/>	579.17	695.00



View offers

- > Saloon
- > Estate



Book a test drive

- > Saloon
- > Estate
- > AMG



Find a Retailer



View the Range Guide

Item	Notes	AMG Night Edition			Basic RRP excl. VAT (£)	Total RRP incl. VAT (£)
		SE				
Paint, Trim and Upholstery						
ARTICO leather ¹ upper dashboard with visible stitching		U09	○	○	495.83	595.00
Metallic paint		-	○	○	537.50	645.00
Metallic paint – diamond white		799	○	○	791.67	950.00
Metallic paint – hyacinth red		996	○	○	791.67	950.00
Trim – black ash wood		736	○	○	195.83	235.00
Trim – light brown burr walnut wood		H14	○	○	195.83	235.00
Upholstery – nappa leather		-	○	○	716.66	860.00
Comfort						
Multi-contour seat for driver	Air chambers in seat cushion and backrest controlled from side of seat cushion. SE seats replace sports seats on AMG Night Edition models (only in conjunction with leather or nappa leather interior on AMG Night Edition models)	405	○	○	212.50	255.00



View offers

- > Saloon
- > Estate



Book a test drive

- > Saloon
- > Estate
- > AMG



Find a Retailer



View the Range Guide

Optional equipment

33

Item	Notes		SE	AMG Night Edition	Basic RRP excl. VAT (£)	Total RRP incl. VAT (£)
Security and Safety						
Driving Assistance package Active Blind Spot Assist Active Lane Keeping Assist BAS with Junction Assist DISTRONIC PLUS with Steering Assist and Stop&Go Pilot PRE-SAFE® Brake PRE-SAFE® Plus		23P	<input type="radio"/>	<input type="radio"/>	1,954.17	2,345.00
Lane Tracking package Blind Spot Assist – visible warning in exterior mirrors if vehicle is detected in blind spot, audible warning if indicating to move out of lane Lane Keeping Assist – vibrates steering wheel when detecting unintentional drifting out of lane		22P	<input type="radio"/>	<input type="radio"/>	612.50	735.00
Speed Limit and Traffic Sign Assist Camera recognises speed limit and no overtaking road signs and keeps the driver notified on the instrument cluster		513	<input type="radio"/>	<input type="radio"/>	250.00	300.00
Service Package						
Service Care Service Care allows you to spread the cost of servicing your new car in the Mercedes-Benz Retailer network. Taking out a Service Care plan ensures your servicing needs are taken care of by fully trained Mercedes-Benz Technicians with the added benefit of a Mercedes-Benz service history	Price is based on a monthly rate. Example given is for two services taken over 24 months, three services over 36 months or four services over 48 months. Further payment options are available. New Service Care prices apply only to vehicles up to 12 months old prior to first service	'	<input type="radio"/>	<input type="radio"/>	25.00	30.00



View offers

- > Saloon
- > Estate



Book a test drive

- > Saloon
- > Estate
- > AMG



Find a Retailer



View the Range Guide

34

As individual as you are



Black piano lacquer trim shown - available on Mercedes-AMG E 63/S models only

With designo, it takes just a few carefully chosen ingredients to turn your Mercedes-Benz into an individual work of art. The combination of our extensive range, your personal tastes and the naturally varying appearance of our materials makes every designo creation a true one-off.

Featuring exclusive paint finishes and exquisite materials, the designo options for your Mercedes-Benz include sumptuous leather upholstery, available in many colours. Used alone, they add eye-catching highlights to your Mercedes-Benz. Combined, they give it a truly individual look. Please contact your Retailer for more information.



View offers

- > Saloon
- > Estate



Book a test drive

- > Saloon
- > Estate
- > AMG



Find a Retailer



View the Range Guide

designo

35

Item	Notes		SE	AMG Night Edition	Basic RRP excl. VAT (£)	Total RRP incl. VAT (£)
designo Paint, Trim and Upholstery						
designo metallic paint finishes Available in: designo mocha black 033 designo graphite 041		'	<input type="radio"/>	<input type="radio"/>	1,625.00	1,950.00
designo magno paint finishes Available in: designo magno allanite grey 044 designo magno cashmere white 049	designo magno matt paint finishes require extra care. Please refer to the Owner's Manual for instructions	'	<input type="radio"/>	<input type="radio"/>	3,000.00	3,600.00
designo single-tone aniline leather upholstery Centre section of rear seats, including centre head restraint, in designo black aniline leather designo metal badge in front and rear backrests Door armrests, cover of armrest of front centre console, including handrest, in designo black leather Door centre sections in single-coloured designo leather with continuous edge stripping in designo black leather Inner roof lining in black fabric Seats in designo aniline leather with edge stripping in designo black leather Velour floor mats with designo black leather edges and designo metal badge Available in: designo marron X06 designo sand X10 designo pastel yellow X12 designo mystic red X13	On AMG Night Edition models, SE seats replace sports seats. designo floor mats replace AMG Sport floor mats. Based on black leather upholstery (code 211)	'	<input type="radio"/>	<input type="radio"/>	1,854.17	2,225.00
designo porcelain X27						
designo platinum white X30						
designo light brown X35						
designo amaretto X43						



View offers
 > Saloon
 > Estate



Book a test drive
 > Saloon
 > Estate
 > AMG



> Find a Retailer



> View the Range Guide

36

Mercedes-AMG E 63



Optional 19" AMG 10-spoke alloy wheels painted matt black (code 752) and designo magno allanite grey paint finish (code 044)



View offers

- > Saloon
- > Estate



Book a test drive

- > Saloon
- > Estate
- > AMG



Find a Retailer



View the Range Guide

The top-of-the-range E-Class V8 is fitted with all the finest AMG equipment, including AMG bodystyling, 19" AMG alloy wheels in a 10-spoke design and the AMG twin-pipe sports exhaust system. AMG RIDE CONTROL sports suspension and AMG SPEEDSHIFT 7-speed sports transmission guarantee maximum roadholding and agility.

Inside, nappa leather upholstery combined with black ash wood trim and the AMG performance steering wheel with DINAMICA inserts create a sophisticated, sporty atmosphere.

Exterior

Mirror package – auto-dimming rear-view mirror and driver's exterior mirror, folding exterior mirrors

19" AMG alloy wheels – 10-spoke design

AMG bodystyling – front apron and splitter in body colour, rear trim strip in high-gloss black, side sill panels with body-coloured inserts

AMG sports exhaust system with two chrome twin tailpipes

LED Intelligent Light System

Silver-painted brake calipers

Interior

Memory package

AMG door sill panels in brushed stainless steel

AMG instrument cluster with AMG menu including RACETIMER

ARTICO leather¹ upper dashboard with visible stitching

Nappa leather upholstery

Steering wheel – 3-spoke multi-function AMG performance nappa leather steering wheel with DINAMICA inserts and aluminium gearshift paddles

THERMOTRONIC – luxury automatic climate control

Trim and Upholstery

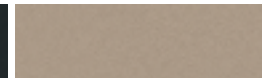
Black ash wood



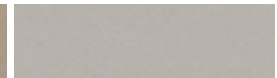
Nappa leather – black



Nappa leather – silk beige



Nappa leather – crystal grey



¹Man-made leather



View offers
➤ Saloon
➤ Estate



Book a test drive
➤ Saloon
➤ Estate
➤ AMG



➤ Find a Retailer



➤ View the Range Guide

38

Mercedes-AMG E 63 S





View offers

- > Saloon
- > Estate



Book a test drive

- > Saloon
- > Estate
- > AMG



Find a Retailer



View the Range Guide

The Mercedes-AMG E 63 S elevates the E-Class' sportiness even further. It comes with its own characteristic features, starting with 19" AMG alloy wheels painted in matt titanium grey and AMG bodystyling with silver shadow details. The AMG sports exhaust system has two S Model chrome twin tailpipes, while the boot is adorned with 'S Model' lettering.

Inside, nappa leather upholstery is paired with AMG emblems embossed on the front headrests, and grey contrast stitching on the seats. Silver seat belts and the AMG instrument cluster with red applications and 'S Model' lettering pay further tribute to this truly sporty model. Even the AMG door sill panels are illuminated with white LEDs.

Exterior

19" AMG alloy wheels - 10-spoke design, painted matt titanium grey

AMG bodystyling - front apron in high-gloss black with splitter in silver shadow, rear trim strip in silver shadow, side sill panels with silver shadow inserts

AMG sports exhaust system with two S Model chrome twin tailpipes

LED Intelligent Light System

Red-painted brake calipers

Interior

AMG door sill panels with white LED illumination

AMG instrument cluster with AMG menu including RACETIMER, red applications and 'S Model' lettering

ARTICO leather¹ upper dashboard with visible stitching

Nappa leather upholstery

Steering wheel - 3-spoke multi-function AMG performance nappa leather steering wheel with DINAMICA inserts and aluminium gearshift paddles

Trim and Upholstery

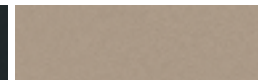
Black ash wood



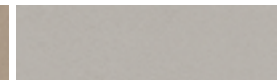
Nappa leather - black



Nappa leather - silk beige



Nappa leather - crystal grey



¹Man-made leather



View offers

- > Saloon
- > Estate



Book a test drive

- > Saloon
- > Estate
- > AMG



Find a Retailer



View the Range Guide

40

Exclusive driver training for Mercedes-AMG owners.

All Mercedes-AMG customers are invited to a complimentary AMG Driving Academy Training Experience at Mercedes-Benz World.



With friendly one-to-one tuition from a professional Mercedes-AMG driver, your training will be personalised to you. You'll push Mercedes-AMG driving performance and your driving skills to the limits on our track and purpose-built low friction dynamic handling facilities.

Through high-speed and adrenaline-fuelled exercises you'll experience oversteer, understeer, slaloms and many more performance driving skills. Designed as part of your ownership experience, this will lay the foundations to master a high performance vehicle, develop driving skills with maximum enjoyment and prepare you to take full command of your own Mercedes-AMG.

TERMS AND CONDITIONS: Only the first purchaser/registered keeper of a newly registered Mercedes-AMG is eligible for this complimentary AMG Driving Academy Training experience which is the AMG BASIC-Training as detailed above. Training experience must be booked and taken within six months of delivery of your Mercedes-AMG; it cannot be exchanged and cannot be transferred for any other driving experience. The Training experience is available Monday to Friday only and is subject to availability. Mercedes-Benz UK Limited reserves the right to amend or withdraw this Training experience. Attendees must hold a full UK driving licence. Attendees will be required to sign the Mercedes-Benz World Driving Risk Acknowledgement prior to undertaking the Training experience. The Training experience is also subject to full Terms and Conditions, which are available on request.



View offers

- > Saloon
- > Estate



Book a test drive

- > Saloon
- > Estate
- > AMG



Find a Retailer



View the Range Guide





View offers

- > Saloon
- > Estate



Book a test drive

- > Saloon
- > Estate
- > AMG



Find a Retailer



View the Range Guide

AMG standard equipment

Item	Mercedes-AMG E63	Mercedes-AMG E63 S
Transmission and Suspension		
AMG aluminium gearshift paddles	●	●
AMG RIDE CONTROL sports suspension Adjustable damping system with three settings (Comfort, Sport and Sport Plus) AMG air suspension at the rear	●	●
AMG Speedshift MCT 7-speed sports transmission AMG DRIVE UNIT with E-SELECT lever Four individual driving modes (Comfort, Sport, Sport Plus and Manual) RACE Start function	●	●
AMG rear axle limited-slip differential lock	-	●
Exterior		
Mirror package – auto-dimming rear-view mirror and driver’s exterior mirror, folding exterior mirrors	●	●
80-litre fuel tank	●	●
AMG bodystyling Front apron and splitter in body colour Rear trim strip in high-gloss black Side sill panels with body-coloured inserts	●	-
AMG bodystyling Front apron in high-gloss black with splitter in silver-shadow Rear trim strip in silver shadow Side sill panels with silver shadow inserts	-	●
AMG high-performance braking system, internally ventilated and perforated	●	●

● Standard ○ Optional - Not available

Item	Mercedes-AMG E63	Mercedes-AMG E63 S
AMG speed-sensitive sports steering	●	●
AMG spoiler lip in body colour (Saloon only)	-	●
AMG sports exhaust system with two chrome twin tailpipes	●	-
AMG sports exhaust system with two S Model chrome twin tailpipes	-	●
Active Parking Assist with PARKTRONIC	●	●
Chrome trim window highlights	●	●
Door mirrors – electrically adjustable and heated, with LED indicator	●	●
EASY-PACK automatic powered tailgate (Estate only)	●	●
Full LED tail lamps and third brake lamps	●	●
Heated windscreen wash system	●	●
LED Intelligent Light System High Performance Headlamps, including Active Light System, cornering light function and Adaptive Highbeam Assist	●	●
Panoramic sunroof	●	●
Rain-sensing wipers	●	●
Rear windscreen wiper (Estate only)	●	●
Red-painted brake calipers	-	●
Roof rails – chrome (Estate only)	●	●
‘S Model’ lettering on boot lid/tailgate	-	●



View offers

- > Saloon
- > Estate



Book a test drive

- > Saloon
- > Estate
- > AMG



Find a Retailer



View the Range Guide

Item	Mercedes-AMG E63	Mercedes-AMG E63 S
Exterior (continued)		
Silver-painted brake calipers	●	-
'V8 BITURBO' lettering on front wings	●	●
Interior		
Memory package	●	●
Easy-exit steering wheel		
Four-way lumbar support		
Fully electric driver and passenger seats		
Stowage of seat, steering wheel and driver's exterior mirror settings		
Ambient lighting in dashboard and door panels, with dimmer function	●	●
Three-tone: neutral, solar, polar		
AMG door sill panels in brushed stainless steel	●	-
AMG door sill panels with white LED illumination	-	●
AMG emblem embossed in front headrests, with grey contrast stitching on seats	-	●
AMG floor mats	●	●
AMG instrument cluster with AMG menu including RACETIMER	●	-
AMG instrument cluster with AMG menu including RACETIMER with red applications and 'S Model' lettering	-	●
AMG nappa leather sports seats with lateral support and AMG badge in backrests	●	●
AMG-specific analogue clock with IWC design	●	●

Item	Mercedes-AMG E63	Mercedes-AMG E63 S
Boot release interior switch in driver's door	●	●
Bottle holder in front passenger footwell	●	●
Brushed stainless steel sports pedals with rubber studs	●	●
EASY-PACK folding load compartment floor (Estate only)	●	●
EASY-PACK load compartment cover and load retaining net (Estate only)	●	●
EASY-PACK load securing kit with rear sill protector (Estate only)	●	●
Electric windows (4) with one-touch opening and closing, including obstruction sensors	●	●
Electric rear roller blind for rear window (Saloon only)	-	●
Front centre armrest with stowage compartment, two-part lid	●	●
Glove compartment - ventilated and lockable	●	●
Heated front seats	●	●
Interior lamps in rear with integrated reading lights	●	●
Interior stowage - front cup holder, front stowage compartment with 12V socket	●	●
Rear armrest with compartment and double cup holder	●	●
Rear seats - split folding 1/3:2/3, with EASY-PACK Quickfold - handle on C- and D-pillar for folding rear seat backrest down (Estate only)	●	●
Service indicator ASSYST PLUS	●	●
Spare wheel - collapsible (steel)	●	●



View offers

> Saloon

> Estate



Book a test drive

> Saloon

> Estate

> AMG



> Find a Retailer



> View the Range Guide

Item	Mercedes-AMG E 63	Mercedes-AMG E 63 S
Interior (continued)		
THERMOTRONIC - luxury automatic climate control Includes adjustable temperature for rear passengers, additional vents in B-pillars and three automatic modes (Diffuse, Medium and Focused)	●	●
Three rear head restraints manually adjustable for height	●	●
Steering		
3-spoke multi-function AMG performance nappa leather steering wheel with DINAMICA inserts and aluminium gearshift paddles	●	●
Paint, Trim and Upholstery		
Paint - metallic	●	●
Trim - black ash wood	●	●
Upholstery - nappa leather	●	●
Upper dashboard in ARTICO leather ¹ with visible stitching	●	●

Item	Mercedes-AMG E 63	Mercedes-AMG E 63 S
Security and Safety		
ADAPTIVE BRAKE system - hydraulic braking system including full HOLD function	●	●
Alarm system with immobiliser and interior protection	●	●
AMG tuned 3-stage Electronic Stability Programme (ESP®) with Acceleration Skid Control (ASR)	●	●
Anti-lock braking system (ABS) with Brake Assist (BAS)	●	●
ATTENTION ASSIST - monitors steering behaviour and can help alert to long journey fatigue	●	●
Automatic child seat recognition sensor - works in conjunction with Mercedes-Benz child seats fitted with transponder	●	●
Brake wear warning display for front brakes	●	●
COLLISION PREVENTION ASSIST PLUS	●	●
First-aid kit and warning triangle in boot	●	●
Integrated side impact protection	●	●



View offers

➤ Saloon

➤ Estate



Book a test drive

➤ Saloon

➤ Estate

➤ AMG



➤ Find a Retailer



➤ View the Range Guide

Item	Mercedes-AMG E 63	Mercedes-AMG E 63 S
	Security and Safety (continued)	
ISOFIX child seat fixings in rear (two outer seats)	●	●
KEYLESS-GO – hands-free access (Estate only)	●	●
Locking wheel bolts	●	●
Multi-stage airbags for driver and front passenger; sidebags in front seats; pelvisbags for driver and front passenger; windowbags for driver, front passenger and rear passengers; and driver's kneebag	●	●
NECK-PRO front head restraints	●	●
Outside temperature display, rear seat belt status indicator	●	●
PRE-SAFE® anticipatory safety system	●	●
Remote central locking	●	●
Silver seat belts	-	●
Tyre pressure monitoring system	●	●

Item	Mercedes-AMG E 63	Mercedes-AMG E 63 S
	Communications and In-Car Entertainment	
Aerial integrated into rear window	●	●
Bluetooth® interface for hands-free telephony	●	●
Central controller dial to operate audio functions and telephone (when connected)	●	●
COMAND Online system Includes radio, single CD/DVD, 7-inch colour display, hard disk drive (HDD) navigation with 3D map display, Live Traffic Information and European map data updates free of charge for the first three years. Single CD/DVD and LINGUATRONIC voice control. Mercedes 'connect me' services, emergency call system (eCall) and access to internet sites when vehicle is stationary, plus unrestricted use of Mercedes-Benz apps (internet-enabled mobile phone required). Integrated WLAN hotspot for onboard access of WLAN-enabled devices. Media Interface allows connectivity and control of portable media devices (e.g. MP3 player, smart phone, USB storage). DVD function is audio and video capable. Region 2 DVDs only	●	●
DAB digital radio tuner	●	●
Mercedes 'connect me' (standard services) Including emergency call system (eCall), accident recovery, breakdown and maintenance management	●	●
Surround sound system – Harman Kardon® Logic 7® 14 high-performance speakers and additional amplifier	●	●
Two USB ports and an SD card slot	●	●



View offers
 > Saloon
 > Estate



Book a test drive
 > Saloon
 > Estate
 > AMG



> Find a Retailer



> View the Range Guide

AMG optional equipment



designo magno allanite grey paint finish



Bang & Olufsen BeoSound AMG surround sound system



AMG door sills with white illumination



360° camera



Exterior mirror housings in carbon fibre



View offers

- > Saloon
- > Estate



Book a test drive

- > Saloon
- > Estate
- > AMG



Find a Retailer



View the Range Guide

Item	Notes			Basic RRP excl. VAT (£)	Total RRP incl. VAT (£)	
		Mercedes-AMG E63	Mercedes-AMG E63 S			
AMG Performance Studio						
AMG Driver's package Includes an increase to your vehicle's electronically limited top speed (186 mph) and participation in one of the AMG BASIC-Training 'Power and Passion' events. The event is run by the AMG Driving Academy and held at a racetrack located in mainland Europe	Saloon. Not in conjunction with AMG Night package (code P60)	250	○	-	2,808.33	3,370.00
	Estate. Not in conjunction with AMG Night package (code P60)		○	-	2,295.83	2,755.00
	Saloon and Estate. Not in conjunction with AMG Night package (code P60)	-	○		654.17	785.00
	For further information on this or any other AMG Driving Academy training, please speak to your Retailer, or visit www.mercedes-amg.com/driving-academy					
AMG Exterior Carbon Fibre Trim package 1 Front apron in carbon fibre Insert in rear apron Side sill panels with carbon fibre inserts	Not in conjunction with AMG Night package (code P60)	773	○	○	3,858.33	4,630.00
AMG Exterior Carbon Fibre Trim package 2 AMG boot lid spoiler (Saloon only) Electric rear roller blind (Saloon only) Exterior mirror housings		B28	○	-	1,695.83	2,035.00
	In conjunction with AMG Driver's package (code 250). Saloon only		○	○	1,475.00	1,770.00
	Estate		○	○	1,045.83	1,255.00
AMG Night package All in high-gloss black: Exterior mirror housings Front apron trim strip and front splitter Rear apron trim strip and tailpipe trims Side sill panel inserts Beltline trim strip and window surround Roof rails (Estate only)	Not in conjunction with AMG Exterior Carbon Fibre Trim package 1 (code 773) or AMG Exterior Carbon Fibre Trim package 2 (code B28)	P60	○	○	637.50	765.00



Item	Notes				Basic RRP excl. VAT (£)	Total RRP incl. VAT (£)
		Mercedes-AMG E63	Mercedes-AMG E63 S			
AMG Performance Studio (continued)						
AMG high-performance ceramic composite braking system		B07	-	○	5,908.33	7,090.00
AMG carbon fibre engine cover		B14	○	○	1,291.67	1,550.00
AMG door sills with white LED illumination		U25	○	●	525.00	630.00
AMG rear axle limited-slip differential lock	Complimentary differential oil change required after first 2,000 miles	471	○	●	2,150.00	2,580.00
AMG RIDE CONTROL performance suspension	Saloon only	486	○	○	1,275.00	1,530.00
Exterior						
360° camera Four networked cameras in front grille, wing mirror and boot capture a 360° bird's-eye view of the vehicle's immediate surroundings		P44	○	○	595.83	715.00
Privacy glass Includes side windows rear of B-pillar and rear windscreen	Estate only	840	○	○	304.17	365.00
Interior						
Rear seats – split folding 1/3:2/3	Saloon only; standard on Estate	287	○	○	345.83	415.00
Paint, Trim and Upholstery						
Metallic paint – diamond white		799	○	○	400.00	480.00
Metallic paint – hyacinth red		996	○	○	400.00	480.00



View offers

- > Saloon
- > Estate



Book a test drive

- > Saloon
- > Estate
- > AMG



Find a Retailer



View the Range Guide

Item	Notes			Basic RRP excl. VAT (£)	Total RRP incl. VAT (£)
		Mercedes-AMG E 63	Mercedes-AMG E 63 S		
Paint, Trim and Upholstery (continued) designo metallic paint finishes Available in: designo mocha black 033 designo graphite 041		'	○ ○	937.50	1,125.00
designo magno paint finishes Available in: designo allanite grey 044 designo cashmere white 049	designo magno matt paint finishes require extra care. Please refer to the Owner's Manual for instructions	'	○ ○	2,312.50	2,775.00
designo single-tone leather upholstery AMG sports seats in single-tone designo leather Centre head restraints, door centre panels and door armrests in designo black leather Centre section of rear seats in designo black leather Velour floor mats with edging in designo black leather and designo metal badge Available in: designo marron X06 designo sand X10 designo pastel yellow X12 designo mystic red X13 designo porcelain X27 designo platinum white X30 designo light brown X35 designo amaretto X43	Only in conjunction with multi-contour front seats (code 409) or active multi-contour seats (code 432). Based on black leather upholstery (code 861). On Saloon models, only in conjunction with split folding rear seats (code 287)	'	○ ○	741.67	890.00
AMG carbon fibre/black piano lacquer trim		W69 H73	○ ○	2,491.67	2,990.00
designo black piano lacquer trim		W69	○ ○	1,141.67	1,370.00



View offers

> Saloon

> Estate



Book a test drive

> Saloon

> Estate

> AMG



> Find a Retailer



> View the Range Guide

Item	Notes			Basic RRP excl. VAT (£)	Total RRP incl. VAT (£)
		Mercedes-AMG E 63	Mercedes-AMG E 63 S		
Paint, Trim and Upholstery (continued)					
designo DINAMICA roof lining				1,225.00	1,470.00
Available in: designo black Y41 designo alpaca grey Y44					
Comfort					
KEYLESS-GO Comfort package Includes automatic powered boot closing and hands-free access	Saloon only	P17	<input type="radio"/>	495.83	595.00
Comfort-ventilated front seats – heating and cooling	Choice of heating or cooling; mini electric fans in seat cushion and backrest. Only in conjunction with multi-contour seats (code 409) or dynamic multi-contour seats (code 432)	401	<input type="radio"/>	583.33	700.00
Dynamic multi-contour seats for driver and front passenger	Includes massage function. Only in conjunction with comfort-ventilated front seats (code 401)	432	<input type="radio"/>	908.33	1,090.00
Multi-contour seats for driver and front passenger	Air chambers in seat cushions and backrests controlled from side of seat cushions	409	<input type="radio"/>	425.00	510.00
Safety and Security					
Driving Assistance package Active Blind Spot Assist Active Lane Keeping Assist BAS with Junction Assist DISTRONIC PLUS with Steering Assist and Stop&Go Pilot PRE-SAFE® Brake PRE-SAFE® Plus		23P	<input type="radio"/>	1,954.17	2,345.00



View offers

- > Saloon
- > Estate



Book a test drive

- > Saloon
- > Estate
- > AMG



Find a Retailer



View the Range Guide

Item	Notes			Basic RRP excl. VAT (£)	Total RRP incl. VAT (£)
		Mercedes-AMG E63	Mercedes-AMG E63 S		
Safety and Security (continued)					
Lane Tracking package Blind Spot Assist – visible warning in exterior mirrors if vehicle is detected in blind spot, audible warning if indicating to move out of lane Lane Keeping Assist – vibrates steering wheel when detecting unintentional drifting out of lane		22P	<input type="radio"/>	612.50	735.00
Speed Limit and Traffic Sign Assist Camera recognises speed limit and no overtaking road signs and keeps the driver notified on the instrument cluster		513	<input type="radio"/>	250.00	300.00
Communications and In-Car Entertainment					
Bang & Olufsen BeoSound AMG surround sound system 11 high-performance speakers with twin illuminated tweeter lenses	TIREFIT with tyre inflation compressor (code B51) replaces collapsible steel spare wheel	811	<input type="radio"/>	3,525.00	4,230.00
Service Package					
Service Care Service Care allows you to spread the cost of servicing your new car in the Mercedes-Benz Retailer network. Taking out a Service Care plan ensures your servicing needs are taken care of by fully trained Mercedes-Benz Technicians with the added benefit of a Mercedes-Benz service history	Price is based on a monthly rate. Example given is for two services taken over 24 months, three services over 36 months or four services over 48 months. Further payment options are available. New Service Care prices apply only to vehicles up to 12 months old prior to first service	'	<input type="radio"/>	35.00	42.00



View offers

- > Saloon
- > Estate



Book a test drive

- > Saloon
- > Estate
- > AMG



Find a Retailer



View the Range Guide

52

Genuine Accessories

We've developed a range of Accessories you can add to help personalise and enhance your E-Class. Your local Mercedes-Benz Retailer can advise on fitting costs of Accessories, where applicable. Further information on our selection of Genuine Accessories can be found on the Mercedes-Benz UK website.



01 | Shallow boot tub

The boot tub is suitable for transporting shopping. The tub shape with its slightly raised edge is precision-tailored to the load area. Made from impact-resistant, non-slip polypropylene. Structured surface holds separately available stowage crate in place.

Saloon: Basic RRP £72.50 (excl. VAT) **Total RRP £87.00 (incl. VAT)**

Estate: Basic RRP £81.50 (excl. VAT) **Total RRP £97.80 (incl. VAT)**

02 | Stowage crate

A secure hold for items which are prone to tip over or slide around, e.g. shopping bags. Adjustable partitioning elements allow crate to be divided into max. 4 sections. Optimum functionality only in conjunction with shallow boot tub.

Basic RRP £71.67 (excl. VAT) **Total RRP £86.00 (incl. VAT)**

03 | Concertina load sill protector

Protects the rear of the car from scratches when you're loading the vehicle – and prevents dirt on the car from getting onto your clothes. Practical design – can be connected to shallow boot tub.

Basic RRP £32.50 (excl. VAT) **Total RRP £39.00 (incl. VAT)**



View offers

> Saloon

> Estate



Book a test drive

> Saloon

> Estate

> AMG



> Find a Retailer



> View the Range Guide

04 | Coat hanger, on head restraint

It's easy to arrive looking smart: the sturdy coat hanger allows you to hang up items of clothing on board. Rounded ends protect the fabric. Easy to secure in place behind the head restraint and to remove.

Basic RRP £55.50 (excl. VAT) **Total RRP £66.60 (incl. VAT)**

05 | Front apron spoiler lip

Emphasises the width of the vehicle and lowers the visual focus at the front end. Made from dimensionally stable polyurethane, with high-quality primed finish. To be painted in desired colour by your Mercedes-Benz Retailer. No entry in vehicle documents required.

Basic RRP £345.00 (excl. VAT) **Total RRP £4 14.00 (incl. VAT)**





View offers

- > Saloon
- > Estate



Book a test drive

- > Saloon
- > Estate
- > AMG



Find a Retailer



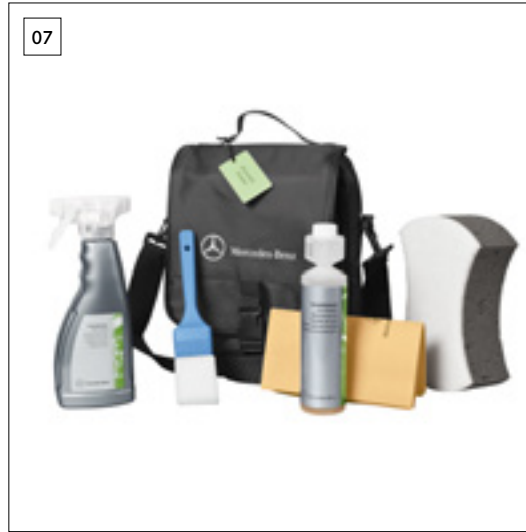
View the Range Guide



06 | DUO Plus child seat, with ISOFIX and automatic child seat recognition

Optimum safety for children between the ages of around 8 months and 4 years (9 to 18 kg). Fitted as standard with top tether, an additional belt for securing the head section, a height-adjustable harness, ventilation channels and ISOFIX attachment points. With automatic child seat recognition. Adjustable tilt. Also available for ages 0+ (1 to 13 kg) and 3.5 to 12 years (15 to 36 kg).

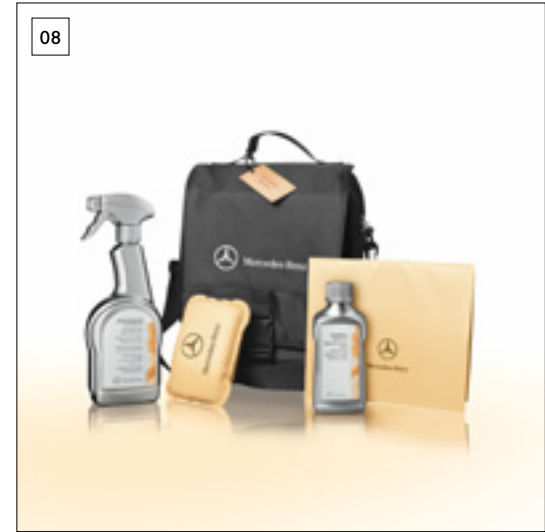
Basic RRP £280.95 (excl. VAT) **Total RRP £295.00 (incl. VAT)**



07 | Exterior Car Care Kit

The Mercedes-Benz Exterior Car Care Kit is a four-piece collection to keep the exterior of your car looking like it's come straight from the showroom. The bag contains car shampoo, wheel cleaner, sponge and polishing cloth.

Basic RRP £20.83 (excl. VAT) **Total RRP £25.00 (incl. VAT)**



08 | Interior Car Care Kit

The Mercedes-Benz Interior Car Care Kit is a four-piece collection enabling you to maintain the spotless showroom finish inside your car. The bag contains cabin care spray, interior glass cleaner, interior glass sponge and car cloth.

Basic RRP £20.83 (excl. VAT) **Total RRP £25.00 (incl. VAT)**



View offers

> Saloon

> Estate



Book a test drive

> Saloon

> Estate

> AMG



> Find a Retailer



> View the Range Guide

Genuine Accessories

55



09 | Winter wheels and tyres

16" alloy wheels (4) – 7-spoke design. Includes tyre pressure monitor.

Basic RRP £1,280.84 (excl. VAT)

Total RRP £1,537.00 (incl. VAT)



10 | Mercedes-Benz roof box, 400 litres

Multipurpose box. Compact length, impressive amount of space. Capacity approx. 400 litres. Opens on both sides. Single lock system. Gas-filled struts for easy opening and closing of lid. Maximum load capacity 75 kg. Available in matt silver or metallic black.

Basic RRP £341.67 (excl. VAT) **Total RRP £4 10.00 (incl. VAT)**



11 | Carrier bars for roof rails

Quick-fastening carrier bars for roof rails – no tools required. Multi-functional basis for all Mercedes-Benz transport and leisure accessories such as roof boxes, bicycle racks and ski racks. Locking plastic caps help prevent theft.

Basic RRP £182.50 (excl. VAT) **Total RRP £219.00 (incl. VAT)**



View offers

- > Saloon
- > Estate



Book a test drive

- > Saloon
- > Estate
- > AMG



Find a Retailer



View the Range Guide

Colours and materials

Non-metallic paints

Standard on SE and AMG Night Edition

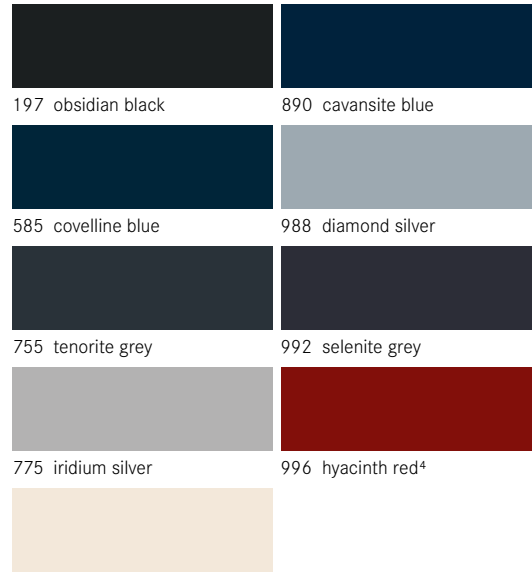


040 black¹

149 polar white²

Metallic paints

Standard on Mercedes-AMG E 63/S³



197 obsidian black

890 cavansite blue

585 covelline blue

988 diamond silver

755 tenorite grey

992 selenite grey

775 iridium silver

996 hyacinth red⁴

799 diamond white⁴

¹Not available on Mercedes-AMG E 63/S ²No-cost option on Mercedes-AMG E 63/S ³Optional on SE and AMG Night Edition ⁴Additional-cost option Please note that, owing to limitations of the printing process, paint colours may differ from those shown



View offers

- > Saloon
- > Estate



Book a test drive

- > Saloon
- > Estate
- > AMG



Find a Retailer




View the Range Guide

SE upholstery

Leather (standard)	Nappa leather (optional)
 211 black	 811 black
 215 silk beige	 815 silk beige
 218 crystal grey	 818 crystal grey
 274 ¹ chestnut brown	 854 ¹ chestnut brown
 255 ¹ porcelain	 855 ¹ porcelain

SE trim

 H79 ² dark aluminium	 736 ³ black ash wood
 H14 ³ light brown burr walnut wood	



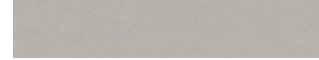

AMG Night Edition upholstery

Leather (standard)	Nappa leather (optional)
 241 black	 811 ⁴ black
 215 ⁴ silk beige	 815 ⁴ silk beige
 218 ⁴ crystal grey	 818 ⁴ crystal grey
 274 ^{1,4} chestnut brown	 854 ^{1,4} chestnut brown
 255 ^{1,4} porcelain	 855 ^{1,4} porcelain


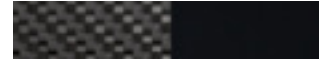
AMG Night Edition

 H79 ² dark aluminium	 736 ³ black ash wood
 H14 ³ light brown burr walnut wood	

Mercedes-AMG E 63/S upholstery

Nappa leather (standard)
 861 black
 865 silk beige
 868 crystal grey
 821 ⁵ black with grey contrast stitching

Mercedes-AMG E 63/S trim

 736 ² black ash wood
 H73 ³ carbon fibre/black piano lacquer

¹Upper and lower dashboard in black ²Standard ³Optional ⁴Not available with sports seats ⁵Mercedes-AMG E 63 S only



View offers

- > Saloon
- > Estate



Book a test drive

- > Saloon
- > Estate
- > AMG



Find a Retailer



View the Range Guide

Trim and upholstery combinations

	SE/AMG Night Edition					Mercedes-AMG E 63/S		
	Leather/nappa leather					Nappa leather		
	black (211, 241 ^{1,2} /811 ³)	silk beige (215 ¹ /815 ³)	crystal grey (218 ¹ /818 ³)	chestnut brown (274 ¹ /854 ³)	porcelain (255 ¹ /855 ³)	black (861/821)	silk beige (865)	crystal grey (868)
Dashboard								
Steering wheel	black	espresso brown	shell grey	black	black	black	black	black
Upper dashboard trim	black	espresso brown	shell grey	black	black	black	black	black
Lower dashboard trim	black	silk beige	crystal grey	black	black	black	black	crystal grey
Seats								
Seat cushion centre section	black	silk beige	crystal grey	chestnut brown	porcelain	black	silk beige	crystal grey
Side bolster trim	black	silk beige	crystal grey	chestnut brown	porcelain	black	silk beige	crystal grey
Head restraint	black	silk beige	crystal grey	chestnut brown	porcelain	black	silk beige	crystal grey
Seat belt	black	silk beige	crystal grey	black	black	black	black	black
Doors								
Door trim at beltline	black	espresso brown	shell grey	black	black	black	black	black
Door centre panel	black	silk beige	crystal grey	chestnut brown	porcelain	black	silk beige	crystal grey
Lower door trim	black	silk beige	crystal grey	black	black	black	black	black
Roof lining	black/crystal grey ⁴	silk beige	crystal grey	black	black	black	black	black
Parcel shelf⁵	black	silk beige	crystal grey	black	black	black	black	black
Load compartment cover⁶	black	espresso brown	crystal grey	black	black	black	black	black
Floor covering								
Front and rear	black	silk beige	crystal grey	black	black	black	black	black
Boot	black	black ⁵ /silk beige ⁴	black ⁴ /crystal grey ⁷	black	black	black	black	black

¹Standard for AMG Night Edition ²Sports seats, available only in black ³Optional for SE and AMG Night Edition ⁴Crystal grey: selectable with black leather (code 211) or black nappa leather (code 811) ⁵Saloon only ⁶Estate only



Combination options

		Leather (SE and AMG Night Edition)					Nappa leather (SE and AMG Night Edition)					Nappa leather (Mercedes-AMG E 63/S)		
		black	silk beige	crystal grey	chestnut brown	porcelain	black	silk beige	crystal grey	chestnut brown	porcelain	black	silk beige	crystal grey
Non-metallic paints														
	040 black	●	●	●	●	●	●	●	●	●	●	-	-	-
	149 polar white	●	●	●	●	●	●	●	●	●	●	●	●	●
Metallic paints														
	197 obsidian black	●	●	●	●	●	●	●	●	●	●	●	●	●
	585 covelline blue	●	●	●	△	●	●	●	●	△	●	●	●	●
	755 tenorite grey	●	●	●	●	●	●	●	●	●	●	●	●	●
	775 iridium silver	●	●	●	●	●	●	●	●	●	●	●	●	●
	799 diamond white	●	●	●	●	●	●	●	●	●	●	●	●	●
	890 cavansite blue	●	●	●	△	●	●	●	●	△	●	●	●	●
	988 diamond silver	●	○	○	●	○	●	○	○	●	○	●	○	○
	992 selenite grey	●	●	●	●	●	●	●	●	●	●	●	●	●
	996 hyacinth red	●	○	●	●	●	●	○	●	●	●	●	○	●



View offers

- > Saloon
- > Estate



Book a test drive

- > Saloon
- > Estate
- > AMG



Find a Retailer



View the Range Guide

60

Technical data – Saloon

Model	Diesel engines		Petrol engines			
	E 220 BlueTEC	E 350 BlueTEC	E 250	Mercedes-AMG E 63	Mercedes-AMG E 63 S	
Engine						
Total displacement	cc	2,143	2,987	1,991	5,461	5,461
Arrangement/cylinders/valves		in-line/4/16	V/6/24	in-line/4/16	V/8/32	V/8/32
Fuel delivery		Common-rail diesel with turbocharger	Common-rail diesel with turbocharger	Electronically controlled direct injection with turbocharger	Electronically controlled direct injection with biturbo	Electronically controlled direct injection with biturbo
Power ¹	hp (kW) at rpm	177 (130)/3,200-3,800	258 (190)/3,400	211 (155)/5,500	557 (410)/5,500	585 (430)/5,500
Torque ¹	Nm at rpm	400/1,400–2,800	620/1,600–2,400	350/1,200–4,000	720/1,750–5,250	800/1,750–5,000
Compression ratio		16.2	15.5	9.8	10.0	10.0
Transmission						
7G-TRONIC PLUS 7-speed auto.		●	-	●	-	-
9G-TRONIC PLUS 9-speed auto.		-	●	-	-	-
AMG MCT 7-speed auto.		-	-	-	●	●
Tyre sizes						
Front		225/50	245/40	245/45	255/35	255/35
Rear		225/50	265/35	245/45	285/30	285/30

● Standard ○ Optional - Not available



View offers

> Saloon

> Estate



Book a test drive

> Saloon

> Estate

> AMG



> Find a Retailer



> View the Range Guide

Model	Diesel engines		Petrol engines		
	E 220 BlueTEC	E 350 BlueTEC	E 250	Mercedes-AMG E 63	Mercedes-AMG E 63 S
Performance	auto.	auto.	auto.	auto.	auto.
Acceleration 0-62 mph	sec 8.4	6.4	7.4	4.2	4.1
Top speed, approx.	mph 141	155 ²	151	155 ²	155 ²

Weights and capacities		auto.	auto.	auto.	auto.	auto.
Kerb weight	kg	1,735	1,885	1,680	1,845	1,870
Perm. GVW	kg	2,270	2,440	2,245	2,390	2,390
Load capacity	l	490	490	540	540	540
Towing capacity - unbraked		750	750	750	-	-
braked	kg	2,000	2,100	1,900	-	-
Fuel tank capacity/reserve	l	59/8	80/9	59/8	80/12	80/12
Turning circle	m	11.28	11.28	11.28	11.35	11.35

Fuel consumption^{3,4}	mpg	auto.	auto.	auto.	auto.	auto.
Urban		50.4	46.3	37.2	20.0	19.9
Extra-urban ³		76.4	60.1	56.5	36.7	36.2
Combined		64.2	54.3	47.1	28.3	28.0



View offers

- > Saloon
- > Estate



Book a test drive

- > Saloon
- > Estate
- > AMG



Find a Retailer



View the Range Guide

Model	Diesel engines		Petrol engines			
	E 220 BlueTEC	E 350 BlueTEC	E 250	Mercedes-AMG E 63	Mercedes-AMG E 63 S	
CO₂ emissions¹	g/km	auto.	auto.	auto.	auto.	auto.
Emissions standard		EU6	EU6	EU6	EU6	EU6
17" alloy wheels (225/50 tyres)	114	-	-	-	-	-
17" alloy wheels (245/45 tyres)	-	-	138	-	-	-
18" alloy wheels (265/35 tyres)	121	136	138	-	-	-
19" alloy wheels (275/30 tyres)	121	136	138	233	235	

Insurance group ratings

Base model - SE (AMG Night Edition)	33 (33)	- (42)	36 (37)	47	48
Incl. Premium package	33 (34)	- (42)	37 (37)	-	-
Incl. Premium Plus package	33 (34)	- (42)	37 (38)	-	-

Insurance ratings may vary depending on model line and specification. Please refer to <http://www.thatcham.org/abigrouprating/> for further details

¹Figures according to Directive 80/1269/EEC in the currently applicable version

²Electronically limited

³All figures on a standard specification with the smallest tyre size

⁴The choice of wheels and transmissions may effect CO₂ emissions and corresponding Road Fund Licence

⁵EUDC: extra-urban driving cycle. Testing procedures adhere to EU directive 93/116

The figures on pages 60-63 are correct at time of going to print. Please refer to the government website for latest data -<http://carfueldata.direct.gov.uk/>

All measurements in millimetres. The dimensions are mean values and apply to standard-specification, unladen vehicles



View offers

- > Saloon
- > Estate



Book a test drive

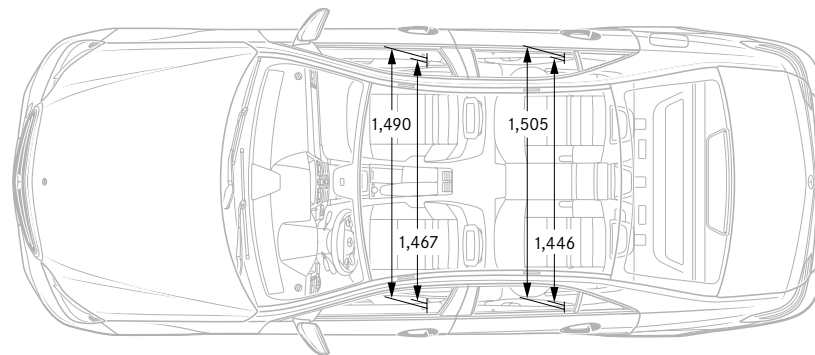
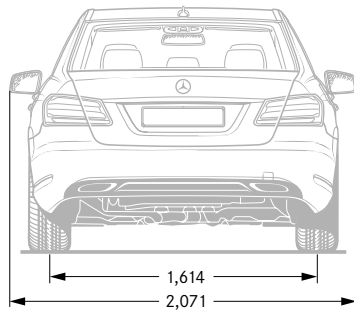
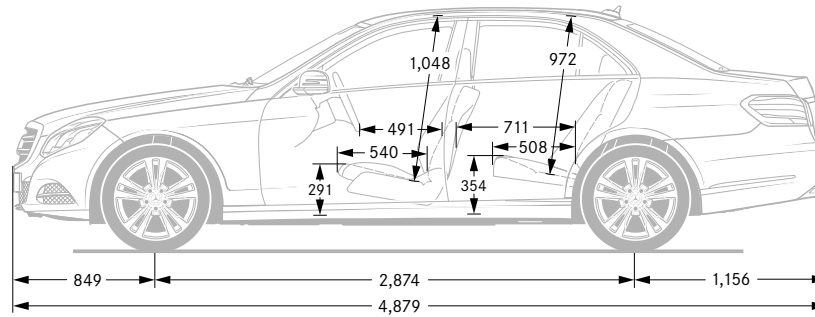
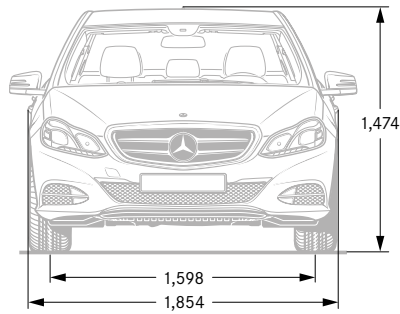
- > Saloon
- > Estate
- > AMG



Find a Retailer



View the Range Guide





View offers

- > Saloon
- > Estate



Book a test drive

- > Saloon
- > Estate
- > AMG



Find a Retailer



View the Range Guide

64

Technical data – Estate

Model	Diesel engines		Petrol engines		
	E 220 BlueTEC	E 350 BlueTEC	E 250	Mercedes-AMG E 63	Mercedes-AMG E 63 S
Engine					
Total displacement	cc 2,143	2,987	1,991	5,461	5,461
Arrangement/cylinders/valves	in-line/4/16	V/6/24	in-line/4/16	V/8/32	V/8/32
Fuel delivery	Common-rail diesel with turbocharger	Common-rail diesel with turbocharger	Electronically controlled direct injection with turbocharger	Electronically controlled direct injection with biturbo	Electronically controlled direct injection with biturbo
Power ¹	hp (kW) at rpm 177 (130)/3,200-3,800	258 (190)/3,400	211 (155)/5,500	557 (410)/5,500	585 (430)/5,500
Torque ¹	Nm at rpm 400/1,400-2,800	620/1,600-2,400	350/1,200-4,000	720/1,750-5,250	800/2,000-4,500
Compression ratio	16.2	15.5	9.8	10.0	10.0
Transmission					
7G-TRONIC PLUS 7-speed auto.	●	-	●	-	-
9G-TRONIC PLUS 9-speed auto.	-	●	-	-	-
AMG MCT 7-speed auto.	-	-	-	●	●
Tyre sizes					
Front	225/50	245/40	245/45	255/35	255/35
Rear	225/50	265/35	245/45	285/30	285/30

● Standard ○ Optional - Not available



View offers

> Saloon

> Estate



Book a test drive

> Saloon

> Estate

> AMG



> Find a Retailer



> View the Range Guide

Model	Diesel engines		Petrol engines		
	E 220 BlueTEC	E 350 BlueTEC	E 250	Mercedes-AMG E 63	Mercedes-AMG E 63 S
Performance	auto.	auto.	auto.	auto.	auto.
Acceleration 0-62 mph	sec 8.8	6.6	7.8	4.3	4.2
Top speed	mph 136	155	145	155 ²	155 ²

Weights and capacities		auto.	auto.	auto.	auto.	auto.
Kerb weight	kg	1,760	1,955	1,785	1,945	1,955
Perm. GVW	kg	2,345	2,550	2,380	2,540	2,540
Load capacity	l	600-1,855	600-1,855	695-1,950	695-1,950	695-1,950
Towing capacity - unbraked		750	750	750	-	-
braked	kg	2,100	2,100	2,100	-	-
Tank capacity/reserve	l	59/8	80/9	59/8	80/12	80/12
Turning circle	m	11.28	11.28	11.28	11.35	11.35

Fuel consumption^{3,4}	mpg	auto.	auto.	auto.	auto.	auto.
Urban		49.6	44.1	35.8	19.9	19.9
Extra-urban ⁵		67.3	55.4	51.4	35.3	35.3
Combined		60.1	51.4	44.8	27.7	27.7



Model	Diesel engines		Petrol engines		
	E 220 BlueTEC	E 350 BlueTEC	E 250	Mercedes-AMG E 63	Mercedes-AMG E 63 S
CO₂ emissions⁴	g/km	auto.	auto.	auto.	auto.
Emissions standard	EU6	EU6	EU6	EU6	EU6
17" alloy wheels (225/50 tyres)	124	-	-	-	-
17" alloy wheels (245/45 tyres)	-	-	149	-	-
18" alloy wheels (265/35 tyres)	130	143	149	-	-
19" alloy wheels (275/30 tyres)	130	143	149	237	237

Insurance group ratings

Base model - SE (AMG Night Edition)	36 (37)	- (42)	36 (37)	47	48
Incl. Premium package	37 (37)	- (42)	37 (37)	-	-
Incl. Premium Plus package	37 (38)	- (42)	37 (38)	-	-

Insurance ratings may vary depending on model line and specification. Please refer to <http://www.thatcham.org/abigrouprating/> for further details

¹Figures according to Directive 80/1269/EEC in the current applicable version

²Electronically limited

³All figures on a standard specification with the smallest tyre size

⁴The choice of wheels and transmissions may effect CO₂ emissions and corresponding Road Fund Licence

⁵EUDC: extra-urban driving cycle. Testing procedures adhere to EU directive 93/116

The figures on pages 64-67 are correct at time of going to print. Please refer to the government website for latest data - <http://carfueldata.direct.gov.uk/>

All measurements in millimetres. The dimensions are mean values and apply to standard-specification, unladen vehicles



View offers

- > Saloon
- > Estate



Book a test drive

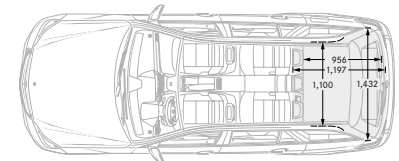
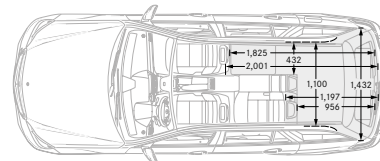
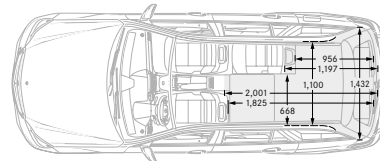
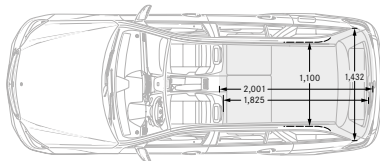
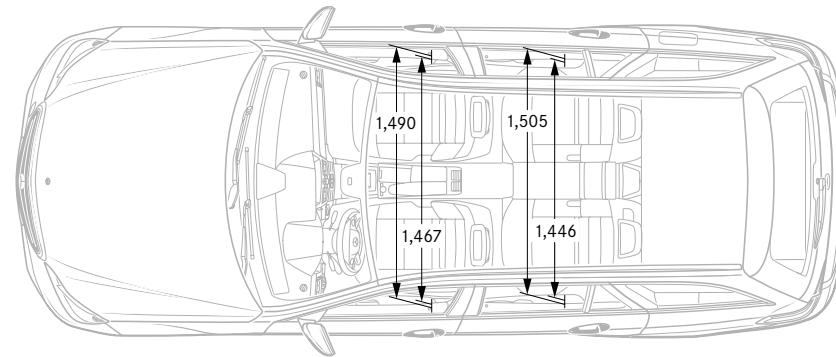
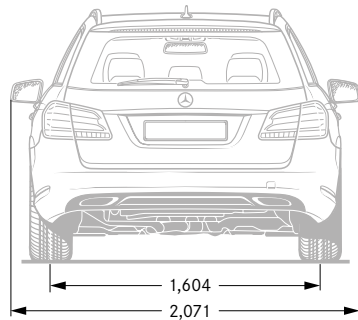
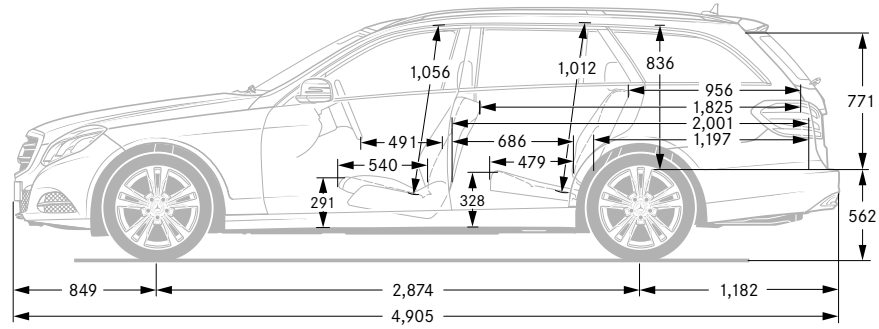
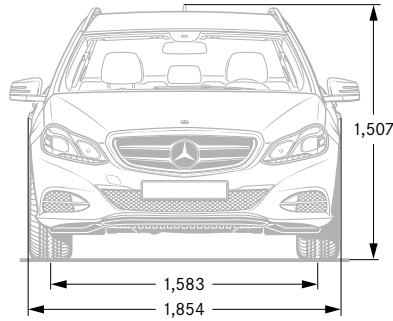
- > Saloon
- > Estate
- > AMG



> Find a Retailer



> View the Range Guide





View offers

> Saloon

> Estate



Book a test drive

> Saloon

> Estate

> AMG



> Find a Retailer



> View the Range Guide

Road Fund Licence



Please note that vehicles will feature model and engine badging which is not shown above

All road vehicle registrations are subject to Vehicle Excise Duty (Road Fund Licence), which varies in accordance with the vehicle's CO₂ emissions. A first year rate of Vehicle Excise Duty applies to new cars on their first year of registration. For the second and subsequent years a standard rate for each taxation band will apply.¹ The table below shows the bands (A-M) created by the DVLA and the corresponding Road Fund Licence. CO₂ emissions are listed in the technical data on pages 62 and 66, and the relevant Excise Duty is reflected in the on-the-road prices on pages 10 and 11.

Band	CO ₂ emissions	First year rate (£)	Standard rate (£)
A	up to 100 g/km	0.00	0.00
B	101 to 110 g/km	0.00	20.00
C	111 to 120 g/km	0.00	30.00
D	121 to 130 g/km	0.00	110.00
E	131 to 140 g/km	130.00	130.00
F	141 to 150 g/km	145.00	145.00
G	151 to 165 g/km	180.00	180.00
H	166 to 175 g/km	295.00	205.00
I	176 to 185 g/km	350.00	225.00
J	186 to 200 g/km	490.00	265.00
K	201 to 225 g/km	640.00	290.00
L	226 to 255 g/km	870.00	490.00
M	over 255 g/km	1,100.00	505.00

¹For further information on vehicle taxation please refer to <http://carfueldata.direct.gov.uk/>



View offers

- > Saloon
- > Estate



Book a test drive

- > Saloon
- > Estate
- > AMG



Find a Retailer



View the Range Guide

Services and insurance

Mercedes-Benz Service Care

We believe that servicing costs should be as flexible and affordable as possible for your E-Class, which is why we offer Service Care, an easy way to budget for all your servicing costs. It spreads your bills into manageable payments based on whether you have a new or used Mercedes-Benz.

With Service Care we guarantee the price of parts and labour for up to four services and safeguard against further inflation. It also covers the cost of all recommended service items including brake fluid, spark plugs, air filters, fuel filters and screen wash.

You can choose either to add your servicing costs into your monthly spend or pay the full amount in a one-off payment, giving you peace of mind that they are taken care of for the period of the plan.

To receive a personalised Service Care plan recommendation visit the Service Care Calculator at www.mercedes-benz.co.uk/servicecare

Warranty and breakdown cover

Every Mercedes-Benz comes with a three-year unlimited mileage warranty against manufacturing or material defects¹ and up to 30 years warranty against perforation due to corrosion from the inside out.² What's more, it's also covered by Mercedes-Benz Roadside Assistance – a unique package comprising up to 30 years pan-European breakdown assistance.²

Insurance

Since our name is synonymous with reliability, who better to trust with your motor insurance? Mercedes-Benz Insurance provides a motor insurance policy specifically designed to give you the cover you would expect from Mercedes-Benz. For a motor insurance quotation, call **0345 600 2180**.*

¹Applies to vehicles sold by Mercedes-Benz in the UK to its franchised Retailers ²Subject to full Terms and Conditions, dependent on date of registration, available upon request Mercedes-Benz Motor Insurance is underwritten by Aviva Insurance UK Limited. Credit provided, subject to status, by Mercedes-Benz Financial Services UK Ltd, MK15 8BA *For joint protection, calls may be recorded and/or monitored. All calls charged at local rate. We may decline to quote in some circumstances



View offers

- > Saloon
- > Estate



Book a test drive

- > Saloon
- > Estate
- > AMG



Find a Retailer



View the Range Guide

70



The Mercedes that thinks and acts for you.

Imagine if...

...you could connect with your Mercedes-Benz?

With Mercedes connect me, you can; with Remote Online services¹ that include trip planning, maintenance management and vehicle tracking, plus more.

Getting connected is easy. Just set up your Mercedes me account and get in touch with your Mercedes-Benz Retailer to connect your vehicle to your profile to access your Mercedes connect me services.

...you knew beforehand that you need to stop for fuel?

Simply check the fuel level and mileage range from your phone wherever you are. You can also check tyre pressure and washer fluid level. (For electric cars, you can check battery charge state.)

...your Mercedes could tell you where it's parked?

You no longer need to ask yourself where you left your car; with Mercedes connect me you can locate your car from your smartphone or tablet within a mile radius.



- 1. PARKED VEHICLE LOCATOR
- 2. VEHICLE TRACKER

- 3. REMOTE RETRIEVAL OF VEHICLE STATUS
- 4. PRE-ENTRY CLIMATE CONTROL FOR ELECTRIC DRIVE AND PLUG-IN HYBRID



View offers

- > Saloon
- > Estate



Book a test drive

- > Saloon
- > Estate
- > AMG



Find a Retailer



View the Range Guide

...you could lock your Mercedes, even if you're miles away?

The uncertainty of whether you've forgotten to lock the car is only human. To make sure your Mercedes-Benz is safe and secure, you can simply lock the car remotely via your PC/Mac, tablet or smartphone.

...your Mercedes told you when your service is due?

Being connected means essential data is constantly sent to your Mercedes-Benz Retailer so they know when it is time for a service. Your Retailer can then contact you with a tailor-made service quote.

...your Retailer already knows which parts need replacing?

As surprising as this sounds, with telediagnosics your Retailer can recognise remotely if certain parts are due for replacement, contacting you to book an appointment and making sure the relevant parts are in stock when you arrive, getting you back on the road as quickly as possible.

...you could just push a button to deal with a breakdown?

Should your car break down, with a simple press of the button everything is taken care of – from breakdown assistance to vehicle recovery.

...your Mercedes called for help?

Your Mercedes comes with an SOS button. Press it if you need urgent help and you will be contacted by the emergency response centre.² In the event of an accident where airbags or seatbelt tensioners have been activated, a call is placed automatically. Your GPS position is sent to the response teams to initiate rescue efforts.³

The Mercedes that thinks and acts for you.

Contact your Retailer to get connected, or go to www.mercedes.me for more details.

¹This is available as an option in conjunction with Audio 20 CD, and standard with COMAND Online. Remote Online is standard with electric drive and plug-in hybrid. Use of the Remote Online equipment option is limited to three years from first registration of the vehicle and can then be extended at extra cost.

²A call is placed via the car's sim card, rather than the customer relying on their mobile phone.

³This feature is still available to customers without Mercedes connect me services. The customer is not required to accept the terms and conditions on the portal to activate this feature. For all other features the customer will have to accept terms and conditions on the portal to activate them.





View offers

- > Saloon
- > Estate



Book a test drive

- > Saloon
- > Estate
- > AMG



Find a Retailer



View the Range Guide

Mercedes-Benz Finance

Why should you finance with Mercedes-Benz?

At Mercedes-Benz we believe a great driving experience should be matched by an equally great ownership experience. That is why we put just as much thought, time and effort into designing our finance options, our service plans and our insurance cover as we do into our vehicles.

We are not in the business of simply providing a loan to fund the purchase of your dream vehicle. We look on it as a journey that we take with you, from the moment you choose your new Mercedes-Benz, to helping you in choosing your next one.

If you would like to find out more about any of our current offers, simply call into your local Mercedes-Benz Retailer where one of our Business Managers will be more than happy to talk you through anything you need to know.

Helping you find the right solution.

You should find our finance packages are more convenient than a traditional personal loan because:

- Funds are immediately available – no waiting for cheques or loans to clear.
- There is no security required – either against your home or other assets.
- We have clear and transparent rates – the APR we quote is the APR you get.
- We have friendly Business Managers – experts in vehicle finance who can talk you through all of your plans in detail.

One of our most popular finance products is Mercedes-Benz Agility (our Personal Contract Purchase product). We also offer Contract Hire, Operating Lease and Hire Purchase solutions. If you would like to find out more about these speak to your Retailer or visit www.mercedes-benz.co.uk/fandi.

Mercedes-Benz Agility (our PCP product).

At the start of an Agility agreement, you put down a deposit and decide the term of your agreement and your annual mileage. You will be advised of the Guaranteed Future Value, which offers you the reassurance of knowing exactly what you will need to pay to own the vehicle outright in the future (this is known as the Optional Purchase Payment).

Throughout your agreement you simply pay your agreed monthly payments and when the agreement comes to an end you either purchase, hand back or part-exchange your vehicle.





View offers

- > Saloon
- > Estate



Book a test drive

- > Saloon
- > Estate
- > AMG



Find a Retailer



View the Range Guide

Agility features:

- Fixed regular payments mean you can easily budget.
- Payments are based only on a proportion of the vehicle's value, keeping your monthly payments lower.
- Our Guaranteed Future Value avoids the risk of unplanned depreciation of your vehicle.
- You defer your ownership decision until the end of the agreement.

At the end of your agreement you have three options to choose from.

Option 1: Purchase your Mercedes-Benz.

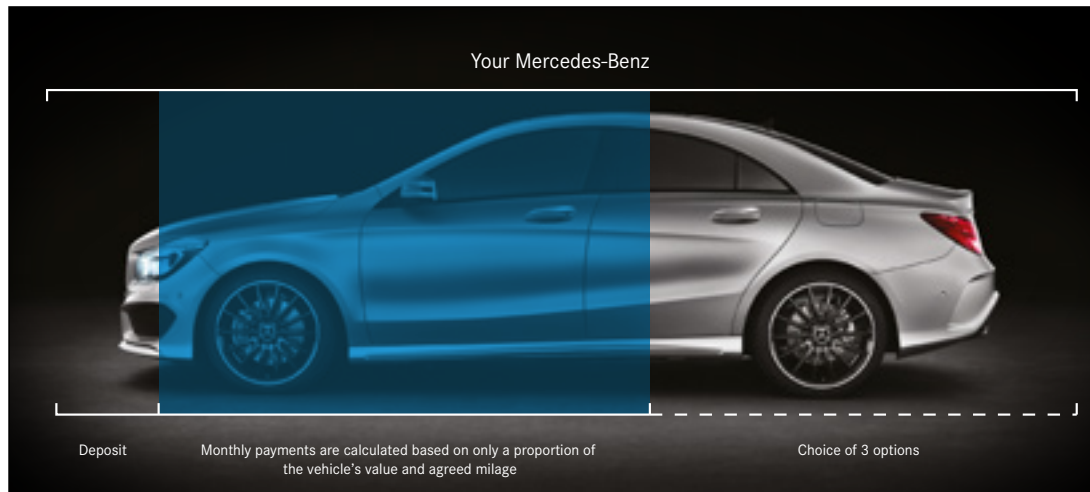
Purchase your Mercedes-Benz by paying the Optional Purchase Payment and Purchase Activation Fee.¹ This will complete the purchase of your Mercedes-Benz, leaving you free to simply enjoy your vehicle.

Option 2: Hand back your Mercedes-Benz.

If you decide to return your vehicle to us, it must be in line with our Vehicle Return Standards,* as vehicle condition, excess mileage and other charges may be payable.

Option 3: Part-Exchange for a new Mercedes-Benz.

Purchase your Mercedes-Benz by paying the Optional Purchase Payment and Purchase Activation Fee.¹ This will complete the purchase of your Mercedes-Benz, leaving you free to simply enjoy your vehicle.



¹Please note the 'Purchase Activation Fee' of £10 will be debited from your account *To find out more information about our Vehicle Return Standards please visit <http://mercedes-benz.co.uk/vrs>



View offers

- > Saloon
- > Estate



Book a test drive

- > Saloon
- > Estate
- > AMG



Find a Retailer



View the Range Guide

Follow us on the following social media channels:



<https://www.facebook.com/MercedesBenzUk>



<https://twitter.com/mercedesbenzUK>



<https://www.youtube.com/mercedesbenzUK>



<https://instagram.com/mercedesbenzUK>

Effective from 1 September 2015. Information correct at time of going to print.

Prices and specifications are subject to change without prior notice.

MBWS212PL/0915

Mercedes-Benz UK Ltd, Tongwell, Milton Keynes, MK15 8BA www.mercedes-benz.co.uk



Mixed Sources

Product group from well-managed forests, controlled sources and recycled wood or fibre
www.fsc.org Cert no. SGS-COC-004556
©1996 Forest Stewardship Council

