



2023  
**SILVERADO**  
**3500 HD**  
**CHASSIS CAB**

# STANDING STRONG.

You can build your business on the foundation of Silverado 3500 HD Chassis Cab.

Choose either the Chassis Cab or Box Delete model and you'll get a stiff frame with high-strength steel cross members, robust U-joints and large axles. It all adds up to an impressive platform for a wide variety of upfits! Either a 6.6L V8 gas engine or a Duramax® 6.6L Turbo-Diesel V8 engine – the latter paired with an Allison® 10-speed automatic transmission – provides plenty of power and payload capacity.

Silverado 3500 HD Chassis Cab is the cornerstone of any work crew.



Silverado 3500 HD Crew Cab Chassis Cab LT in Summit White, shown with an upfit from an independent supplier!

## AT A GLANCE.

- 6.6L V8 gas engine with 401 horsepower and 464 lb.-ft. of torque and 6-speed automatic transmission
- Available Duramax 6.6L Turbo-Diesel V8 engine with 910 lb.-ft. of torque with standard exhaust brake and Allison® 10-speed automatic transmission
- Integrated Power Take-Off capability available with the Duramax 6.6L Turbo-Diesel V8 and Allison 10-speed transmission
- Both transmissions include cruise grade braking, powertrain grade braking and Tap-Up/Tap-Down Driver Shift Control
- Available in Regular Cab or Crew Cab models, with a choice of two wheelbases for Regular Cab models
- Robust frame with high-strength steel cross members
- Large rear axle with a 12" ring gear on Turbo-Diesel models
- Automatic locking rear differential
- GVWR of 14,000 lbs<sup>1</sup>
- Maximum GCWR of 40,000 lbs<sup>2</sup>
- Three fuel tank options – front, rear or combined – for an available total fuel capacity of 63.5 gallons



Silverado 3500 HD Crew Cab Chassis Cab LT in Red Hot, shown with an upfit from an independent supplier.<sup>3</sup>



Silverado interior provides plenty of storage compartments and comfort amenities.

<sup>1</sup> Maximum Gross Vehicle Weight Rating (GVWR). When properly equipped; includes weight of vehicle, passengers, cargo and equipment. <sup>2</sup> Requires available Duramax 6.6L Turbo-Diesel V8 engine. Maximum Gross Combination Weight Rating (GCWR). When properly equipped; includes weight of the vehicle and trailer combination, including the weight of driver, passengers, fuel, optional equipment and cargo in the vehicle and trailer. <sup>3</sup> Shown with upfit from an independent supplier. Equipment from independent suppliers is not covered by the GM New Vehicle Limited Warranty. GM is not responsible for the safety or quality of independent supplier alterations.

## MODEL AVAILABILITY

### REGULAR CAB – WT OR LT

WHEELBASE (IN.)	DRIVE	STANDARD ENGINE	AVAILABLE ENGINE	CAB-TO-AXLE (IN.)	GCWR (LBS.) <sup>1</sup>	GVWR (LBS.) <sup>2</sup>	MAX PAYLOAD (LBS.) <sup>3</sup>
146.3	2WD	6.6L V8 gas	–	60.0	24,000	14,000	7,571
146.3	4x4	6.6L V8 gas	–	60.0	24,000	14,000	7,204
146.3	2WD	–	Duramax 6.6L V8	60.0	40,000	14,000	6,638
146.3	4x4	–	Duramax 6.6L V8	60.0	40,000	14,000	6,271

### REGULAR CAB – WT OR LT

WHEELBASE (IN.)	DRIVE	STANDARD ENGINE	AVAILABLE ENGINE	CAB-TO-AXLE (IN.)	GCWR (LBS.) <sup>1</sup>	GVWR (LBS.) <sup>2</sup>	MAX PAYLOAD (LBS.) <sup>3</sup>
170.8	2WD	6.6L V8 gas	–	84.0	24,000	14,000	7,454
170.8	4x4	6.6L V8 gas	–	84.0	24,000	14,000	7,159
170.8	2WD	–	Duramax 6.6L V8	84.0	40,000	14,000	6,516
170.8	4x4	–	Duramax 6.6L V8	84.0	40,000	14,000	6,221

### CREW CAB – WT OR LT

WHEELBASE (IN.)	DRIVE	STANDARD ENGINE	AVAILABLE ENGINE	CAB-TO-AXLE (IN.)	GCWR (LBS.) <sup>1</sup>	GVWR (LBS.) <sup>2</sup>	MAX PAYLOAD (LBS.) <sup>3</sup>
176.7	2WD	6.6L V8 gas	–	60.0	24,000	14,000	7,040
176.7	4x4	6.6L V8 gas	–	60.0	24,000	14,000	6,713
176.7	2WD	–	Duramax 6.6L V8	60.0	40,000	14,000	6,078
176.7	4x4	–	Duramax 6.6L V8	60.0	40,000	14,000	5,751

<sup>1</sup> Gross Combination Weight Rating (GCWR). When properly equipped; includes weight of the vehicle and trailer combination, including the weight of driver, passengers, fuel, optional equipment and cargo in the vehicle and trailer. <sup>2</sup> Maximum Gross Vehicle Weight Rating (GVWR). When properly equipped; includes weight of vehicle, passengers, cargo and equipment. <sup>3</sup> These maximum payload ratings are intended for comparison purposes only. Before you buy a vehicle or use it to haul people or cargo, carefully review the Vehicle Loading section of the Owner's Manual and check the carrying capacity of your specific vehicle on the label on the inside of the driver door jamb.

## ENGINE SPECIFICATIONS



### 6.6L V8 GAS Standard on all models.

Heavy-duty 6-speed automatic transmission

401 hp @ 5200 rpm

464 lb.-ft. of torque @ 4000 rpm

Displacement: 6564 cc (400 cu. in.)

Bore and stroke: 103.25 mm x 98 mm (4.06 in. x 3.86 in.)

Compression ratio: 10.75:1

Block: Cast-iron with nodular iron main caps

Cylinder head: Cast-aluminum

Valvetrain: Overhead valve with Variable Valve Timing (VVT)

Fuel delivery: Direct Injection

Recommended fuel: Regular unleaded or E85



### DURAMAX 6.6L TURBO-DIESEL V8 Available on all models.

Allison® 10-speed automatic transmission

445 hp @ 2800 rpm

910 lb.-ft. of torque @ 1600 rpm

Displacement: 6619 cc (403 cu. in.)

Bore and stroke: 103 mm x 99 mm (4.05 in. x 3.89 in.)

Compression ratio: 16.0:1

Block: Cast-iron

Cylinder head: Cast-aluminum

Valvetrain: Overhead valve with 4 valves per cylinder

Fuel delivery: Direct Injection with high-pressure common rail

Recommended fuel: Ultra-low-sulfur diesel

# COLORS & WHEELS

## EXTERIOR COLORS



Summit White



Iridescent Pearl Tricoat<sup>1,2</sup>



Silver Ice Metallic



Red Hot



Cherry Red Tintcoat<sup>1,2</sup>



Greenstone Metallic



Northsky Blue Metallic

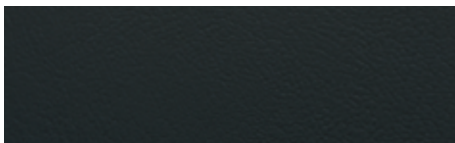


Mosaic Black Metallic<sup>1</sup>



Black

## WT INTERIOR COLORS



Jet Black Vinyl



Jet Black Cloth



Jet Black Cloth<sup>3</sup>

## LT INTERIOR COLORS



Jet Black Cloth



Gideon Cloth

## WHEELS



17" Painted-Steel Wheels (PYW)  
Standard on WT



17" Painted-Steel Wheels  
with Chrome Trim and Caps  
(PYW with P06)  
Standard on LT

<sup>1</sup> Not available on WT. <sup>2</sup> Extra-cost color. <sup>3</sup> Requires available 10-way power driver seat adjuster and WT Convenience Package or WT Fleet Convenience Package.

# STANDARD EQUIPMENT

Standard on every Silverado 3500 HD Chassis Cab:

MECHANICAL
Air filter – heavy-duty with air filtration monitoring
Battery – heavy-duty
Brakes – 4-wheel antilock disc with Duralife® brake rotors and brake lining wear indicator
Cooling – external engine and transmission oil coolers
Differential – automatic locking rear
Engine – 6.6L V8 gas with Variable Valve Timing (VVT) and Direct Injection
Frame – fully boxed, hydroformed front section and open C-channel rear section
StabiliTrak® – Electronic Stability Control System and Traction Control; includes Electronic Trailer Sway Control and Hill Start Assist
Steering – recirculating ball with smart flow power steering system
Transmission – heavy-duty 6-speed automatic
Wheels – dual rear (DRW)
EXTERIOR
Daytime running lamps – automatic on/off with automatic delay
Headlamps – halogen
Recovery hooks <sup>1</sup>
Roof marker lamps – Smoked Amber LED
Tires – LT235/80R17E all-season highway
Wheels – 17" painted-steel

INTERIOR
Air conditioning – single-zone
Air vents – rear, heating/cooling (Crew Cab)
Airbags <sup>2</sup> – dual-stage frontal airbags for driver and front outboard passenger; seat-mounted side-impact airbags for driver and front outboard passenger; head-curtain airbags for front and rear outboard seating positions; includes front outboard Passenger Sensing System for frontal outboard passenger airbag
Assist handles – driver and front passenger, A-pillar (Regular Cab and Crew Cab); rear passenger, B-pillar (Crew Cab)
Connectivity – Bluetooth® phone connectivity and wireless audio streaming <sup>3</sup>
Door locks – manual (Regular Cab); power programmable with lockout protection and manual rear door child security (Crew Cab)
Instrument cluster – 6-gauge with speedometer, fuel level, engine temperature, tachometer, voltage and oil pressure
Media – two USB ports <sup>4</sup> on instrument panel
Power outlet – 12-volt auxiliary, front
Rear Seat Reminder <sup>5</sup> (Crew Cab)
Steering column – manual tilt-wheel
Teen Driver technology <sup>6</sup>
Temperature display – outside
Tire Pressure Monitoring System – with Tire Fill Alert (does not monitor spare tire)
Windows – manual (Regular Cab); power with driver express-up/-down, all others express-down (Crew Cab)

<sup>1</sup> To avoid the risk of injury, never use recovery hooks to tow a vehicle. For more information, see the Recovery Hooks section of your Owner's Manual. <sup>2</sup> A NOTE ON CHILD SAFETY: Always use seat belts and the correct child restraint for your child's age and size, even with airbags. Even in vehicles equipped with the Passenger Sensing System, children are safer when properly secured in a rear seat in the appropriate infant, child or booster seat. Never place a rear-facing infant restraint in the front seat of any vehicle equipped with an active frontal airbag. See your vehicle Owner's Manual and the child safety seat instructions for more safety information. <sup>3</sup> Go to [my.chevrolet.com/learnAbout/bluetooth](http://my.chevrolet.com/learnAbout/bluetooth) to find out which phones are compatible with the vehicle. Full Bluetooth feature functionality varies by device, model and software version. <sup>4</sup> Not compatible with all devices. <sup>5</sup> Does not detect people or items. Always check rear seat before exiting. <sup>6</sup> Safety or driver assistance features are no substitute for the driver's responsibility to operate the vehicle in a safe manner. Read the vehicle Owner's Manual for important feature limitations and information.

● STANDARD ○ AVAILABLE – NOT AVAILABLE

	WT	LT
<b>SAFETY AND DRIVER ASSISTANCE</b>		
Airbags <sup>1</sup> – dual-stage frontal airbags for driver and front outboard passenger; seat-mounted side-impact airbags for driver and front outboard passenger; head-curtain airbags for front and rear outboard seating positions; includes front outboard Passenger Sensing System for frontal outboard passenger airbag	●	●
Teen Driver technology <sup>2</sup>	●	●
Theft-deterrent system – unauthorized entry (requires available Convenience Package)	–	○
Tire Pressure Monitoring System – with Tire Fill Alert (does not monitor spare tire)	●	●
Up to 3 months of OnStar® Safety & Security coverage <sup>3</sup> (WT requires available SiriusXM® <sup>4</sup> )	○	●
<b>MECHANICAL</b>		
Air filter – heavy-duty with air filtration monitoring	●	●
Alternator – 170 amps, included with 6.6L V8 gas engine	●	●
– 220 amps, included with available Duramax 6.6L Turbo-Diesel V8 engine; available with 6.6L V8 gas engine	○	○
– dual, 220-amp primary and 170-amp auxiliary (requires available auxiliary battery with 6.6L V8 gas engine)	○	○
Axle – rear, wide-track	○	○
Battery – heavy-duty (requires 6.6L V8 gas engine)	●	●
– dual, heavy-duty (requires available Duramax 6.6L Turbo-Diesel V8 engine)	○	○
– auxiliary (requires 6.6L V8 gas engine with available 220-amp alternator or dual alternators)	○	○
Brakes – 4-wheel antilock disc with Duralife brake rotors and brake lining wear indicator	●	●
Cooling – external engine and transmission oil coolers	●	●
Diesel particulate filter – manual regeneration (requires available Duramax 6.6L Turbo-Diesel V8 engine and Fleet or Government order)	○	○
Differential – automatic locking rear	●	●

	WT	LT
<b>MECHANICAL (CONTINUED)</b>		
Engine – 6.6L V8 gas with Variable Valve Timing (VVT) and Direct Injection; 401 hp @ 5200 rpm, 464 lb.-ft. of torque @ 4000 rpm	●	●
– Duramax 6.6L Turbo-Diesel V8 (B20 biodiesel-compatible); 445 hp @ 2800 rpm, 910 lb.-ft. of torque @ 1600 rpm; includes exhaust brake and engine block heater (Regular Cab WT requires available WT Convenience Package or WT Fleet Convenience Package)	○	○
– engine block heater	○	○
Frame – fully boxed, hydroformed front section and open C-channel rear section	●	●
Fuel tank – front and rear, 63.5 gallons total	●	●
– front only, 23.5 gallons	○	○
– rear only, 40 gallons (requires available Duramax 6.6L Turbo-Diesel V8 engine)	○	○
High idle switch (not available with Power Take-Off; WT requires available cruise control)	○	○
Power Take-Off (WT requires available cruise control and Duramax 6.6L Turbo-Diesel V8 engine; LT requires available Duramax 6.6L Turbo-Diesel V8 engine)	○	○
Skid plates – oil pan, front axle and transfer case	○	○
StabiliTrak – Electronic Stability Control System and Traction Control; includes Electronic Trailer Sway Control and Hill Start Assist	●	●
Steering – recirculating ball with smart flow power steering system	●	●
Trailer brake controller – integrated (WT requires available WT Convenience Package or WT Fleet Convenience Package)	○	●
Transfer case – 2-speed, electronic with push-button controls (4x4 models)	●	●
– 2-speed, electronic active Autotrak® with push-button controls (4x4 models)	○	○
Transmission – heavy-duty 6-speed automatic	●	●
– Allison® 10-speed automatic (requires available Duramax 6.6L Turbo-Diesel V8 engine)	○	○
Winter grille cover (requires available Duramax 6.6L Turbo-Diesel V8 engine)	○	○

**1 A NOTE ON CHILD SAFETY:** Always use seat belts and the correct child restraint for your child's age and size, even with airbags. Even in vehicles equipped with the Passenger Sensing System, children are safer when properly secured in a rear seat in the appropriate infant, child or booster seat. Never place a rear-facing infant restraint in the front seat of any vehicle equipped with an active frontal airbag. See your vehicle Owner's Manual and the child safety seat instructions for more safety information.

**2 Safety or driver assistance features are no substitute for the driver's responsibility to operate the vehicle in a safe manner. Read the vehicle Owner's Manual for important feature limitations and information.**

**3 When you select a monthly plan within 15 days of activating your 1-month trial, you'll receive the next 2 months of the plan you select at no additional charge when you associate an approved payment method on file to your account and authorize recurring payments for your service plan. The amount and frequency of each recurring payment is based upon the service(s) and payment interval(s) you select from the options provided. After the trial expires, OnStar will automatically bill your payment method monthly at then-current standard monthly rates. Plans containing 4G LTE data will be billed every 30 days by AT&T. You may cancel at any time by pushing your blue OnStar button or calling 1-888-466-7827. May not be combined with other offers or retroactively applied. Offer subject to change.**

**4 If you decide to continue service after your trial, your selected subscription plan will automatically renew thereafter. You will be charged at then-current rates. Fees and taxes apply. To cancel you must call SiriusXM at 1-866-635-2349. See SiriusXM Customer Agreement for complete terms at siriusxm.com. All fees and programming subject to change.**



● STANDARD ○ AVAILABLE – NOT AVAILABLE

	WT	LT
<b>EXTERIOR</b>		
Bumpers – Black, front	●	–
– chrome, front	○	●
Daytime running lamps – automatic on/off with automatic delay	●	●
Door handles – Black, grained	●	–
– body-color	–	●
Fog lamps – LED	–	○
Fuel filler – capless fueling (6.6L V8 gas engine)	●	●
Glass – solar-absorbing tinted	●	–
– deep-tinted behind front doors (Crew Cab)	○	●
Grille – Chevrolet lettered grille, Black front grille bar and Black mesh grille inserts with small Gold bowtie emblem	●	–
– Chevrolet lettered grille, chrome front grille bar and Black mesh grille inserts with small Gold bowtie emblem	–	●
Headlamps – halogen reflector	●	●
Mirror caps – Black	●	●
Mirrors – vertical trailering, manual-adjustable, manual-folding and manual-extending with lower convex mirrors	●	–
– vertical trailering, heated upper glass, power-adjustable, manual-folding and manual-extending with lower convex mirrors and integrated turn signal indicators (WT requires available WT Convenience Package or WT Fleet Convenience Package)	○	●
– vertical trailering, heated upper glass, auto-dimming driver side, power-adjustable, manual-folding and manual-extending with lower convex mirrors and integrated turn signal indicators, puddle lamps, perimeter lighting and auxiliary lighting; includes interior auto-dimming rearview mirror (WT requires available WT Convenience Package or WT Fleet Convenience Package; LT requires available Convenience Package or Fleet Comfort Package)	○	○

	WT	LT
<b>EXTERIOR (CONTINUED)</b>		
Moldings – Black window beltline	●	●
Recovery hooks <sup>1</sup> – Black	●	●
– chrome	–	○
Roof marker lamps – Smoked Amber LED	●	●
Taillamps – incandescent	●	●
Tire – full-size spare	○	○
Tires – LT235/80R17E all-season highway	●	●
– LT235/80R17E all-terrain	○	○
Wheels – 17" painted-steel	●	●
– with painted center caps	●	–
– with chrome trim and center caps	–	●

<sup>1</sup> To avoid the risk of injury, never use recovery hooks to tow a vehicle. For more information, see the Recovery Hooks section of your Owner's Manual.

● STANDARD ○ AVAILABLE – NOT AVAILABLE

	WT	LT
<b>INTERIOR</b>		
Air conditioning – single-zone – automatic, dual-zone (requires available Convenience Package or Fleet Comfort Package)	●	●
Air vents – rear, heating/cooling (Crew Cab)	●	●
Assist handles – driver and front passenger, A-pillar (Regular Cab and Crew Cab); rear passenger, B-pillar (Crew Cab)	●	●
Center console – floor-mounted, with cup holders, cell phone storage, power cord management and hanging file holder capability (requires available front bucket seats)	–	○
Compass – display in instrument cluster (WT requires available OnStar <sup>1</sup> )	○	●
Cruise control – electronic with Set and Resume Speed, steering wheel-mounted	○	●
Defogger – rear-window	○	○
Door locks – manual (Regular Cab) – power programmable with lockout protection and manual rear door child security (standard on Crew Cab WT; Regular Cab WT requires available WT Convenience Package or WT Fleet Convenience Package)	●	–
Driver Information Center – 3.5-inch diagonal monochromatic display – 4.2-inch diagonal color display and driver personalization	●	–
Floor covering – rubberized-vinyl – color-keyed carpeting	●	○
Floor mats – front and rear, vinyl (WT requires available color-keyed carpeting)	○	●
Instrument cluster – 6-gauge with speedometer, fuel level, engine temperature, tachometer, voltage and oil pressure	●	●
Keyless Open and Start (requires available Convenience Package)	–	○
Mirror – rearview, manual day/night – rearview, auto-dimming (requires available outside power-adjustable, manual-folding and manual-extending vertical trailing mirrors)	●	●

	WT	LT
<b>INTERIOR (CONTINUED)</b>		
Power outlets – front auxiliary, 12-volt – rear auxiliary, 12-volt (Crew Cab) (requires available Convenience Package) – 120-volt (400 watts), instrument panel-mounted (WT requires available WT Convenience Package or WT Fleet Convenience Package)	●	●
Rear Seat Reminder <sup>2</sup> (Crew Cab)	●	●
Remote Keyless Entry (WT requires available WT Convenience Package or WT Fleet Convenience Package)	○	●
Remote vehicle starter system (requires available Convenience Package or Remote Start Package)	–	○
Steering column – manual tilt-wheel – manual tilt/telescoping (requires available Convenience Package or Fleet Comfort Package)	●	●
Steering wheel – mounted cruise control – mounted audio and phone controls – wrapped (requires available Convenience Package or Fleet Comfort Package) – heated (requires available Convenience Package)	○	●
Temperature display – outside	●	●
Upfitter switches – three 30-amp and two 20-amp circuits for installation of aftermarket accessories <sup>3</sup>	○	○
Windows – manual (Regular Cab) – power with driver express-up/-down, all others express-down (standard on Crew Cab; Regular Cab WT requires available WT Convenience Package or WT Fleet Convenience Package)	●	–

<sup>1</sup> When you select a monthly plan within 15 days of activating your 1-month trial, you'll receive the next 2 months of the plan you select at no additional charge when you associate an approved payment method on file to your account and authorize recurring payments for your service plan. The amount and frequency of each recurring payment is based upon the service(s) and payment interval(s) you select from the options provided. After the trial expires, OnStar will automatically bill your payment method monthly at then-current standard monthly rates. Plans containing 4G LTE data will be billed every 30 days by AT&T. You may cancel at any time by pushing your blue OnStar button or calling 1-888-466-7827. May not be combined with other offers or retroactively applied. Offer subject to change. <sup>2</sup> Does not detect people or items. Always check rear seat before exiting. <sup>3</sup> Equipment from independent suppliers is not covered by the GM New Vehicle Limited Warranty. GM is not responsible for the safety or quality of independent supplier alterations.

● STANDARD ○ AVAILABLE – NOT AVAILABLE

	WT	LT
<b>SEATING</b>		
Seats – front 40/20/40 split-bench, includes covered storage armrest (Regular Cab and Crew Cab on WT; Crew Cab on LT)	●	●
– front 40/20/40 split-bench, includes covered storage armrest and lockable underseat storage (standard on Regular Cab LT; Crew Cab LT requires available Convenience Package)	–	○
– front bucket seats with center floor console (Crew Cab) (requires available Convenience Package)	–	○
– rear 60/40 folding bench (Crew Cab)	●	●
Seat – driver and front passenger 4-way manual adjusters	●	●
– driver 10-way power adjuster with power lumbar control (WT requires available Jet Black cloth interior, 120-volt power outlet and WT Convenience Package or WT Fleet Convenience Package)	○	○
Heated driver and outboard front passenger seats (requires available Convenience Package or Fleet Comfort Package)	–	○

	WT	LT
<b>ENTERTAINMENT</b>		
Audio – 2-speaker system (Regular Cab)	●	●
– 6-speaker system (Crew Cab)	●	●
Chevrolet Infotainment 3 system <sup>1</sup> with 7-inch diagonal color touch-screen, AM/FM stereo, Bluetooth <sup>®</sup> audio streaming <sup>2</sup> for two active devices, voice command pass-through to compatible phone, and Apple CarPlay <sup>®3</sup> and Android Auto <sup>™4</sup> compatibility	●	–
Chevrolet Infotainment 3 system <sup>1</sup> with 8-inch diagonal color touch-screen, AM/FM stereo, Bluetooth audio streaming <sup>2</sup> for two active devices, voice command pass-through to compatible phone, and Apple CarPlay <sup>3</sup> and Android Auto <sup>4</sup> compatibility	–	●
Media – two USB ports <sup>5</sup> on instrument panel	●	●
– two USB ports <sup>5</sup> rear, charge-only (Crew Cab) (requires available Convenience Package)	–	○
SiriusXM <sup>®6</sup> – 3-month trial subscription to SXM Platinum Plan (WT requires available OnStar <sup>7</sup> )	○	●
Available Wi-Fi <sup>®</sup> Hotspot <sup>8</sup> for up to seven devices, includes 1-month Unlimited Data Plan (WT requires available OnStar <sup>7</sup> )	○	●
Chevrolet Connected Access <sup>9</sup> with up to 10 years of standard connectivity, which currently enables features such as Vehicle Diagnostics and Dealer Maintenance Notification (WT requires available OnStar <sup>7</sup> )	○	●

<sup>1</sup> Chevrolet Infotainment System functionality varies by model. Full functionality requires compatible Bluetooth and smartphone, and USB connectivity for some devices. <sup>2</sup> Go to [my.chevrolet.com/learnAbout/bluetooth](http://my.chevrolet.com/learnAbout/bluetooth) to find out which phones are compatible with the vehicle. Full Bluetooth feature functionality varies by device, model and software version. <sup>3</sup> Vehicle user interface is a product of Apple and its terms and privacy statements apply. Requires compatible iPhone and data plan rates apply. <sup>4</sup> Vehicle user interface is a product of Google and its terms and privacy statements apply. To use Android Auto on your car display, you'll need an Android phone running Android 6 or higher, an active data plan, and the Android Auto app. <sup>5</sup> Not compatible with all devices. <sup>6</sup> If you decide to continue service after your trial, your selected subscription plan will automatically renew thereafter. You will be charged at then-current rates. Fees and taxes apply. To cancel you must call SiriusXM at 1-866-635-2349. See SiriusXM Customer Agreement for complete terms at [siriusxm.com](http://siriusxm.com). All fees and programming subject to change. <sup>7</sup> When you select a monthly plan within 15 days of activating your 1-month trial, you'll receive the next 2 months of the plan you select at no additional charge when you associate an approved payment method on file to your account and authorize recurring payments for your service plan. The amount and frequency of each recurring payment is based upon the service(s) and payment interval(s) you select from the options provided. After the trial expires, OnStar will automatically bill your payment method monthly at then-current standard monthly rates. Plans containing 4G LTE data will be billed every 30 days by AT&T. You may cancel at any time by pushing your blue OnStar button or calling 1-888-466-7827. May not be combined with other offers or retroactively applied. Offer subject to change. <sup>8</sup> Service varies with conditions and location. Requires active service and paid AT&T data plan. Visit [onstar.com](http://onstar.com) for details and limitations. Availability subject to change. <sup>9</sup> Standard connectivity available only to original purchaser for up to 10 years. Connected Access services are subject to change. Does not include emergency or security services. Diagnostic capabilities vary by model and service plan. Message and data rates may apply. Requires contact method on file and enrollment to receive alerts. Not all issues will deliver alerts. Visit [onstar.com](http://onstar.com) for details and limitations.

## AVAILABLE PACKAGES

● STANDARD ○ AVAILABLE – NOT AVAILABLE

	WT	LT
<b>MECHANICAL</b>		
<b>Ambulance/Fire/Rescue Package</b>	–	○
Wide-track rear axle, Duramax 6.6L Turbo-Diesel V8 engine, diesel particulate filter and engine block heater (restrictions apply; see dealer for details) (requires Regular Cab and Fleet or Government order)		
<b>Heavy-Duty Front Spring Package</b> (not available with Snow Plow Prep Package)	○	○
<b>Snow Plow Prep Package</b> (4x4 models)	○	○
Power feed for roof emergency light, pass-through dash grommet, 220-amp alternator and skid plates and increased front GAWR (not available with Heavy-Duty Front Spring Package)		
<b>INTERIOR</b>		
<b>WT Convenience Package</b>	○	–
Remote Keyless Entry, deep-tinted windows behind front doors, rear-window defogger, cruise control, and outside power-adjustable, manual-folding and manual-extending vertical trairling mirrors with heated upper glass, lower convex mirrors and integrated turn signal indicators; Regular Cab includes power windows with driver express-up/-down and passenger express-down and power door locks		
<b>WT Fleet Convenience Package</b>	○	–
Remote Keyless Entry, cruise control and outside power-adjustable, manual-folding and manual-extending vertical trairling mirrors with heated upper glass, lower convex mirrors and integrated turn signal indicators; Regular Cab includes power windows with driver express-up/-down and passenger express-down and power door locks (requires Fleet or Government order; not available with WT Convenience Package)		

	WT	LT
<b>INTERIOR (CONTINUED)</b>		
<b>Convenience Package</b>	–	○
Dual-zone automatic climate control, 10-way power driver-seat adjuster with power lumbar control, heated driver and front outboard passenger seats, heated steering wheel, manual tilt/telescoping steering column, rear-window defogger, Keyless Open and Start, remote vehicle starter system, unauthorized entry theft-deterrent system, LED front fog lamps and rear wheelhouse liners; Crew Cab includes front 40/20/40 split-bench seat with underseat storage, two charge-only USB ports <sup>1</sup> in second row, and rear 12-volt auxiliary power outlet (not available with Remote Start Package or Fleet Comfort Package)		
<b>Fleet Comfort Package</b>	–	○
Dual-zone automatic climate control, 10-way power driver-seat adjuster with power lumbar control, heated driver and front outboard passenger seats, manual tilt/telescoping steering column, rear-window defogger and 120-volt power outlet (requires Fleet or Government order; not available with Convenience Package)		
<b>Remote Start Package</b>	–	○
Remote vehicle starter system and rear-window defogger		

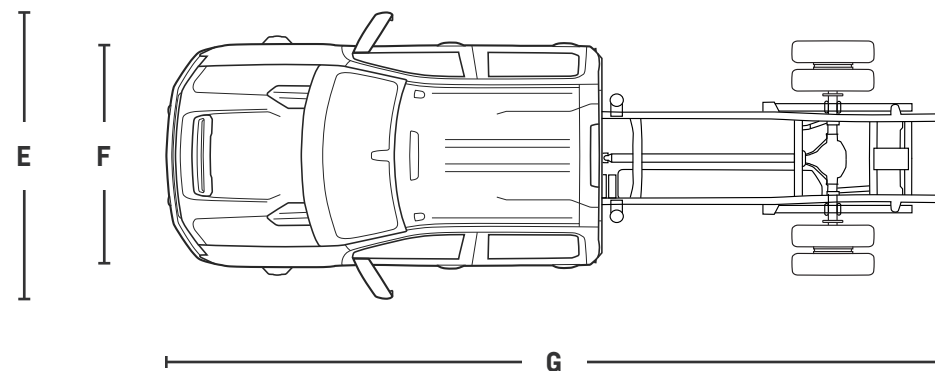
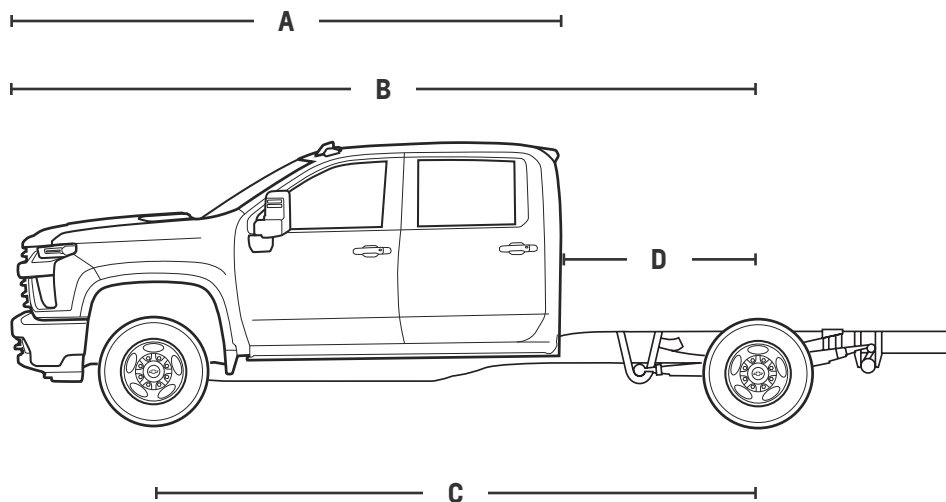
<sup>1</sup> Not compatible with all devices.

## MAXIMUM CAPACITIES

	REGULAR CAB	CREW CAB
Fuel tank - front and rear (approximate)	63.5 gallons	63.5 gallons
- front only (approximate)	23.5 gallons	23.5 gallons
- rear only <sup>1</sup> (approximate)	40.0 gallons	40.0 gallons

## DIMENSIONS

	REGULAR CAB	CREW CAB
A - Front bumper to back of cab	126.5"	157.0"
B - Front bumper to axle	40.2"	40.2"
C - Wheelbase (WB)	146.3" - 60.0" CA 170.8" - 84.5" CA	176.7"
D - Cab-to-axle (CA)	60.0" (146.3" WB) 84.5" (170.8" WB)	60.0"
E - Height	80.1"	80.1"
F - Width	89.1" 95.4" - with wide-track rear axle	89.1" 95.4" - with wide-track rear axle
G - Length	239.8" - 60.0" CA 264.2" - 84.5" CA	270.2"
Head room (front/rear)	43.0"/-	43.0"/40.1"
Leg room (front/rear)	44.5"/-	44.5"/43.4"
Shoulder room (front/rear)	66.0"/-	66.0"/65.3"
Hip room (front/rear)	61.0"/-	61.0"/61.0"



<sup>1</sup> Requires available Duramax 6.6L Turbo-Diesel V8 engine.

# ALWAYS READY FOR OVERTIME.

You know what Chevrolet Commercial Vehicles call 9 to 5? A decent start. Our lineup is ready to make light work of a long week, led by the powerful and dependable Silverado 1500 and Silverado HD, plus Silverado 3500 HD Chassis Cab. And let's not forget the strength of medium-duty Silverado 4500 HD/5500 HD/6500 HD Chassis Cabs, the maneuverability of the Low Cab Forward series and the utility of Express Vans. It all adds up to an unbeatable crew that never stops working.



## COMMERCIAL PROGRAMS

### ONSTAR BUSINESS SOLUTIONS

OnStar Business Solutions is a family of products that offers insight to help find efficiencies, foresight to make better decisions, and confidence in knowing your people and your assets are protected and connected. Learn more at [onstar.com/BusinessSolutions](https://onstar.com/BusinessSolutions).

Manage the way your business moves with OnStar Vehicle Insights™<sup>1</sup> by OnStar Business Solutions. You can see your fleet in real time and receive actionable information to make more informed decisions. Learn more at [onstarvehicleinsights.com](https://onstarvehicleinsights.com).

### BUSINESS ELITE DEALERS

These specialized dealers are staffed with commercially focused teams that provide the support and service necessary to help build and maintain your vehicle fleet. In addition, these experts are dedicated to helping you configure the right vehicles for the job to give your business a competitive edge.

Just as importantly, every Business Elite service department has the facilities, tools and technicians for your needs. Learn more at [chevrolet.com/commercial/business-elite](https://chevrolet.com/commercial/business-elite).



<sup>1</sup> Terms apply. Available on select properly equipped 2015 model year and newer GM vehicles (excludes Volt, Low Cab Forward Trucks and GM vehicles built without OnStar Hardware, which includes but is not limited to select base Chevrolet and GMC trucks). Requires an active connected vehicle services plan. Fees, services, and availability subject to change without notice. Applicable taxes not included. Does not include emergency or security services. Diagnostics capabilities vary by vehicle model. Not all issues will deliver alerts. See [onstarvehicleinsights.com](https://onstarvehicleinsights.com) for details and limitations.



## IMPORTANT INFORMATION.

You may be discovering Chevrolet through a personalized online shopping experience or enjoying every year of vehicle ownership. Either way, we're committed to providing the tools and programs you need to help you get the most out of your journey.

### Chevy MyWay<sup>1</sup> >

Engage in a real-time virtual video experience with a Chevy product specialist.

### Chevrolet Complete Care >

Enjoy an owner benefit program that provides excellent service and support from day one.

### Limited Warranty Coverage >

Discover all the ways Chevrolet is committed to providing an excellent ownership experience.



GM, the GM logo, Chevrolet, the Chevrolet logo, and the slogans, emblems, vehicle model names, vehicle body designs and other marks appearing in this brochure are the trademarks and/or service marks of General Motors, its subsidiaries, affiliates or licensors. ©2023 OnStar LLC. All rights reserved. Sirius, XM, SiriusXM and all related marks and logos are trademarks of Sirius XM Radio Inc. Android, Google Play and Android Auto are trademarks of Google LLC. Apple CarPlay, iPhone, Siri and Apple Music are trademarks of Apple Inc., registered in the U.S. and other countries. The Bluetooth word mark is a registered trademark owned by Bluetooth SIG, Inc., and any use of such mark by Chevrolet is under license.

©2023 General Motors. All rights reserved. January 2023

You may also want to consider Silverado 4500 HD, 5500 HD or 6500 HD. For more details, go to [chevrolet.com/commercial/silverado-chassis-cab](https://chevrolet.com/commercial/silverado-chassis-cab).

**FIND NEW ROADS™**

**CHEVROLET.COM**

<sup>1</sup> Chevy MyWay is available to anyone over 18 in the United States to access and experience via [chevrolet.com/myway](https://chevrolet.com/myway).