

**MOST  
WANTED**



*Ford Motor Company*

**FLEET  
2001**

**POLICE INTERCEPTOR  
AND  
SPECIAL SERVICE  
VEHICLES**

**THE ULTIMATE LINEUP**



EXPLORER, EXPEDITION, AND EXCURSION ARE DESIGNED AS SPECIAL SERVICE VEHICLES, NOT PURSUIT VEHICLES.

# FLEET 2001



## Ford Crown Victoria Police Interceptor

### Crown Victoria Major Standard Features

- Personal Safety System dual stage air bags driver and right-front passenger
- Air conditioning, manual with positive shutoff registers
- Battery Saver
- Carpet, 12.0-oz. color-keyed, floor
- Cupholders, dual, ashtray mounted
- Defroster, rear window
- Drive shaft, aluminum
- Fuel filler cap, tethered
- Fuel filler door release - remote
- Fuel tank - 19 gal. (72 liters)
- Gauge Cluster, voltmeter, oil pressure, water temperature and fuel level
- Glass - solar tinted, full, with ceramic shade band behind rearview mirror
- Glove box, illuminated, large bin, lockable with dampened glove box door
- Headliner, removable
- Hubcaps
- Ignition system, distributorless (coil on plug)
- Luggage compartment trim - full carpet
- Map lamp, header mounted 21 C.P. (high intensity)
- Map pockets - integral front door
- Mirrors - exterior, black, foldaway dual remote control power
- Mirror - interior, day/night, inside, rearview
- Power steering
- Radio, electronic AM/FM stereo including electronic digital clock
- Safety belts, 3-point for front and rear outboard passengers, rear center lap belt (pretensioners on front outboard safety belts)
- Tilt steering column, stalk controls for washer/wiper, hi/lo beams, turn signal and flash-to-pass
- Transmission, electronically controlled automatic overdrive with overdrive lockout
- Voltage regulator, electronic

- Wheels, heavy duty steel, 16" x 7"
- Windows, power with express-down driver's side window
- Windshield wipers, interval, dual-jet washers

### Crown Victoria Police Interceptor Features

- Alternator, heavy duty 135-amp maximum output, 82-amp at idle w/unique drive pulley for improved charging system
- Axle ratio, rear 3.27:1 with non-locker differential
- Battery, extra heavy-duty, 78 amp-hr (750 CCA) with heat shield
- Conventional headliner without grab handles
- Cooling Package; Police level, with 8 blade plastic fan, dual speed electrodrive fan motor and lower radiator air dam
- Decklid release located on instrument panel, direct to battery (gasoline fueled vehicles only)
- Drive shaft, aluminum 3-1/2" heavy-duty and heavy-duty u-joints (n/a with Natural Gas Vehicles)
- Engine, gasoline, 4.6L overhead cam, SEFI V8, unique with Police Pursuit calibration including increased idle speed for improved charging system output and cooling
- Increased horsepower, to 235 @4750 RPM and torque, to 275 Lbs/Ft @ 4000 RPM
- Engine oil cooler (n/a Natural Gas Vehicles)
- Exhaust system, stainless steel, dual (n/a Natural Gas Vehicles)
- Frame and body mounts, heavy-duty
- Hub Caps
- Light, engine compartment
- Lock system, single key (all vehicles different)
- Personal safety system - includes safety belt pretensioners, front dual stage air bags and seat position sensors

- Power steering gear, heavy duty, unique, for improved road feel, with front-mounted oil cooler, without speed sensitive variable assist
- Front seats, cloth bucket - manual reclining with anti-stab plate driver/passenger, with power lumbar on driver's side and weapons cut-outs
- Cloth rear bench, excludes center arm rest
- Speedometer, electronic certified calibration in 2 mph increments 0-140 mph
- Suspension, police, heavy duty front and rear springs, shock absorbers and stabilizer bars
- Tires, P225/60R16-97V Goodyear BSW, all-season speed rated with conventional spare
- Transmission oil cooler, external, front mounted
- Upper ball joints low friction - greasable
- Wiring, courtesy lamp
- Accessory feed wires, police:
  - One ignition feed (3 connectors, 30-amp fuse)
  - One direct feed (3 connectors, 50-amp fuse)

### Natural Gas Vehicle Features

- Axle ratio: 2.73:1
- Clock, integral with radio
- Decklid release, remote on left door trim panel
- Engine, 4.6L V8 dedicated Natural Gas Vehicle engine:
  - Fine-wire platinum, nickel-plated spark plugs
  - Premium valve seat materials
- Fast fuel fill (3 to 4 minutes)
- Fuel tanks, four (4) (usable fuel equivalent of 10 U.S. gallons of gasoline)
- Heavy-duty Natural Gas Vehicle cooling
- Radio - electronic AM/FM stereo
- Single exhaust system
- Steel driveshaft
- Trunk, deep-well, 14 cu. ft.



## REGULAR PRODUCTION OPTIONS

Option Code	Option Code	Option Code
AM/FM Stereo Radio Delete 58B	Keyed Alike - Key Code 1284x 432	Roof Wiring Without Hole In Roof 189
Anti-Lock Braking System 552	Lamp Pre-wire Group 476	Silicone Hoses With Aircraft Clamps 177
Auxiliary Fuse Block 417	Lateral Bow Reinforcement 185	Speed Control 525
Courtesy Lamp Disable 478	License Plate Bracket 153	Spot Lamp Prep Package, Driver Side 51B
Cloth Front Buckets/Vinyl Rear I	Limited Slip Differential (n/a w/Natural Gas) 45C	Spot Lamp Prep Package, Dual 51Z
Cloth Split Bench/Cloth Rear P	Moldings, Front Door Bodyside, Installed 96C	Spot Lamp, Driver's Side 51A
Vinyl Split Bench/Vinyl Rear R	Power Adjustable Accelerator and Brake Pedals 59C	Spot Lamps, Dual 51Y
Power Driver's Seat 21A	Power Windows - Driver Passenger Switches Only 948	Street Appearance Group 60B
Decklid Release on Door and Instrument Panel 61H	Radio Suppression Package 53M	Tires, P225/60VR16 Firestone BSW All Season 501
Electronic AM/FM Stereo/Cassette 58H	2-Way Radio Pre-wire (n/a w/Natural Gas) 946	Two-Tone Paint Treatment #1 952
Floor Covering, Heavy-Duty Rubber 127	Rear Door Locks/Handles Inoperative 157	Two-Tone Paint Treatment #2 953
Floor Mats, Front and Rear 12Y	Roof Wiring With Hole In Roof 187	Two-Tone Paint Treatment #3 955
Fuel Tank, Natural Gas Extended Range 65T		Wheel Covers, Full 645
Headliner, removable w/dual beam map light (w/o police map light) 513		Wiring Prep - Grille Lamp, Siren & Speakers 17D

## DIMENSIONS & CAPACITIES

General	English	Metric	General	English	Metric
Wheelbase	114.7"	2913 mm	Hip room	57.1"	1516 mm
Overall length	212.0"	5384 mm	Leg room, max.	42.5"	1079 mm
Overall height	56.8"	1443 mm	Head room	38.0"	970 mm
Overall width	78.2"	1986 mm	Shoulder room	60.3"	1529 mm
Tread:	Front 63.4"	1610 mm	Hip room	58.7"	1491 mm
	Rear 65.3"	1658 mm	Leg room, max.	39.6"	1003 mm
Base model curb weight	3946 lbs.	1818 kg	<b>Luggage Compartment</b>		
Fuel tank capacity (gasoline)	19 gals.	72 liters	Luggage capacity:	Gasoline 20.6 cu. Ft.	583.3 liters
Natural Gas Vehicle - BTU content equivalent to 10 gallons of gasoline				Natural Gas 14.0 cu. ft.	396.4 liters
Front Seat	Head room 39.4"	1000 mm	Liftover height	26.6"	675 mm
	Shoulder room 60.8"	1544 mm	EPA passenger volume index	111.4 cu. ft.	3094.8 liters

## COLOR AND TRIM SELECTIONS

### INTERIOR TRIM TYPE AND COLOR SELECTOR

NOTE: First letter denotes type and second, color.

	INTERIOR TRIM COLORS		
	Dark Denim Blue	Medium Parchment	Light Graphite
Cloth Front Buckets/Cloth Rear	HR	HH	H2
Cloth Front Buckets/Vinyl Rear	IR	IH	I2
Cloth Split Bench/Cloth Rear	PR	PH	P2
Vinyl Split Bench/Vinyl Rear	RR	RH	R2
EXTERIOR COLOR	CODE	AVAILABILITY	
*Arizona Beige Clearcoat Metallic	AQ	•	•
Toreador Red Clearcoat Metallic	FL	•	•
Spruce Green Clearcoat Metallic	FS	•	•
Deep Wedgewood Blue Clearcoat Metallic	LL	•	•
Light Blue Clearcoat Metallic	M7	•	•
Tropic Green Clearcoat Metallic	SU	•	•
Silver Frost Clearcoat Metallic	TS	•	•
Black Clearcoat	UA	•	•
Vibrant White Clearcoat	WT	•	•

\* = New for this model year. • = Available

### POLICE ONLY EXTERIOR COLORS

	Dark Denim Blue	Med Blue	Lt Graph	Dark Denim Blue		
				BU	LK	LM
Medium Brown Metallic				•		
Dark Blue	LK	•	•			
Royal Blue	LM	•	•			
Light Blue Metallic	LN	•	•			
Ultra Blue Clearcoat Metallic	MM	•	•			
Silver Grey Metallic	TN	•	•			
Medium Titanium Clearcoat Metallic	YG	•	•			

**Warning:** Aftermarket police equipment (such as communications gear) must not be mounted in the airbag deployment zone. Vehicles equipped with bench seats may not have sufficient room to mount such equipment. Bucket seats may be required. See diagrams on page 5.

**NOTE:** Exterior colors are available in three different two-tone. Accent color can be any of the available exterior colors (See page 4).

# Crown Victoria Police Interceptor

## Major Product Changes

- 235 Horsepower 4.6L V8
- Added Weapons Cut-Out To Front Seats
- New Safety Belt Pretensioners

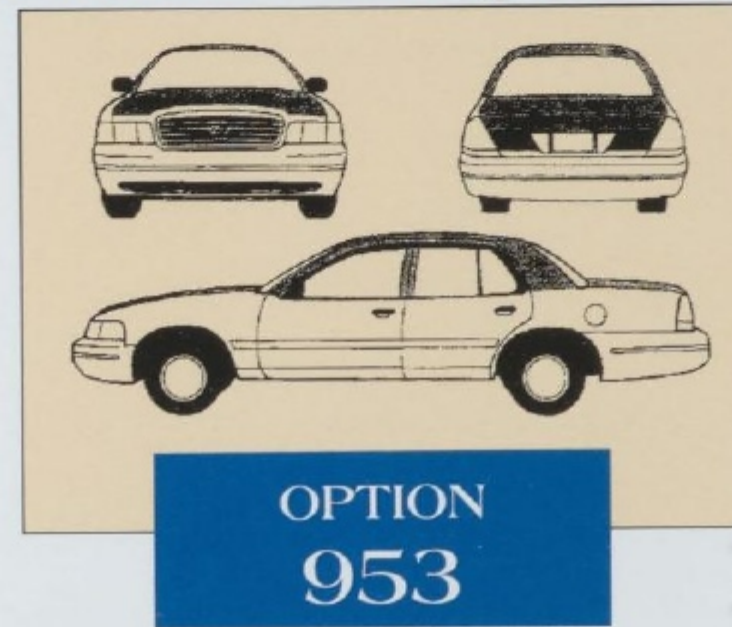
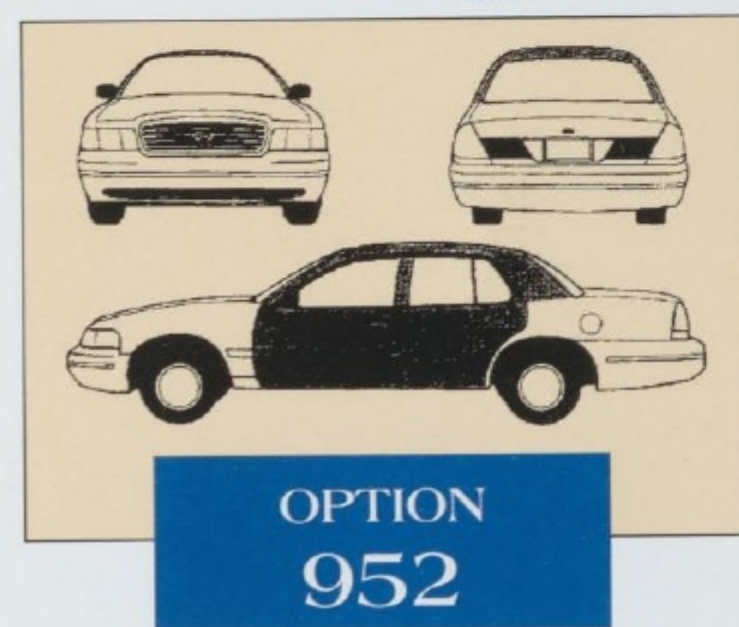
- Power Lumbar Driver's Seat
- 3.27:1 Axle Ratio
- New Front Door Map Pockets

Order from a greater list of options for the 2001 Model Year than ever before. Simply specify the desired options from the list below when ordering your 2001 Crown Victoria Police Vehicle.

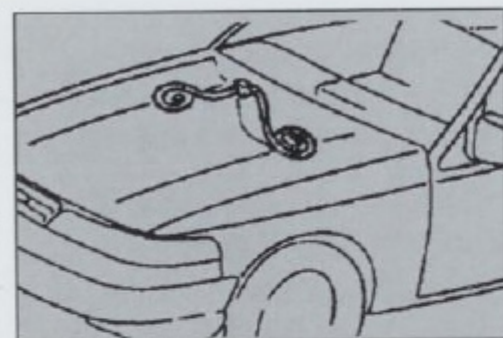
- Rear Door Locks/Handles Inoperative
- Power Windows-Driver Passenger Switched Only
- Auxiliary Fuse Block
- Silicone Hoses With Aircraft Clamps
- Wiring Prep-Grille Lamp, Sirens & Speakers

- Lateral Bow Reinforcement
- AM-FM Stereo Radio Delete
- Roof Wiring With Hole In Roof
- Roof Wiring Without Hole In Roof
- Vehicles Keyed Alike

## Crown Victoria Police Interceptor Regular Production Option Two-Tones

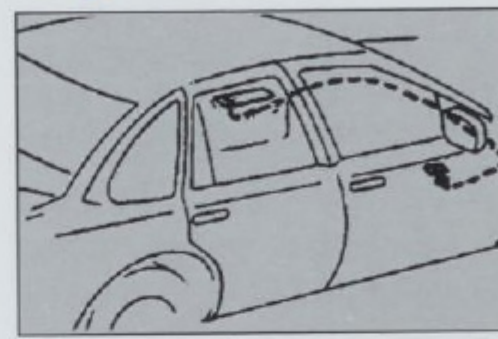


## Crown Victoria Police Interceptor Orderable Options



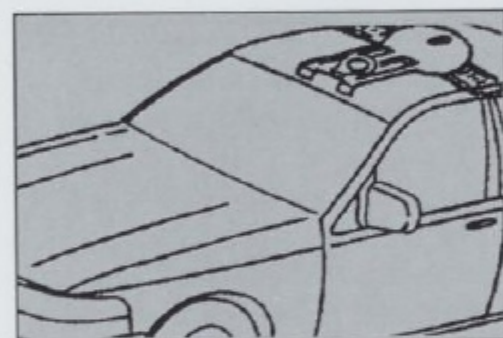
**17D - Wiring Prep (Front)**  
For connection of grille lamp, siren and speakers. Contains five circuits through the right-hand dash panel and coiled in engine compartment on right-hand side.

17D - Wiring Prep (Front)



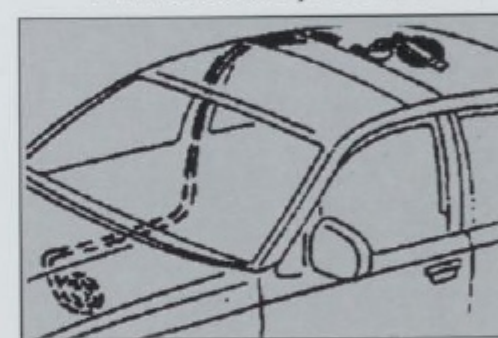
**157 - Rear door Locks and Handles Inoperative**  
Power door locks operation by driver or front passenger only. Rear door lock linkages and control knobs deleted.

157 - Rear door Locks and Handles Inoperative



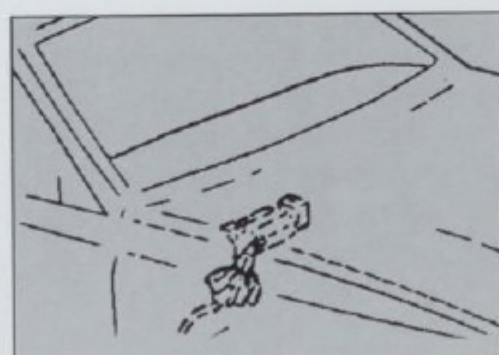
**185 - Roof Reinforcement**  
For police signal equipment. Reinforced lateral bow with reinforcement extending to header.

185 - Roof Reinforcement



**187 - Roof Wiring - Hole in Roof**  
Contains two #10 gauge, two #12 gauge and six #14 gauge wires. Hole is 1 1/8", located approximately 29" from front header on roof centerline; 24" of harness with grommet coiled and taped on roof exterior and 48" coiled on floor at right hand kick panel.

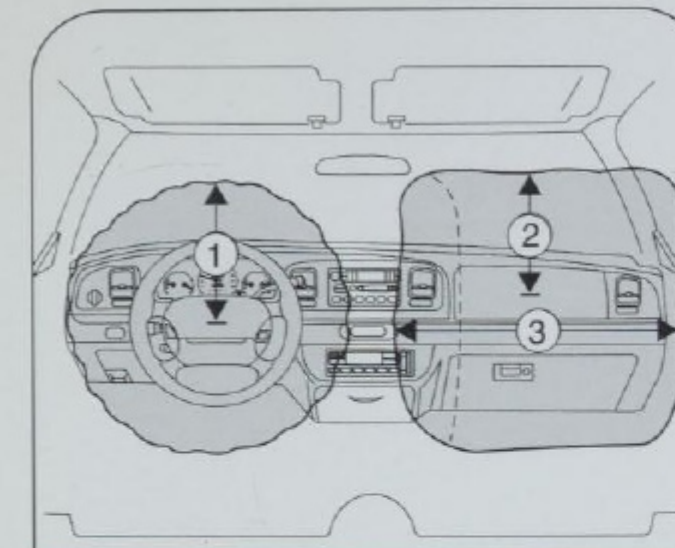
187 - Roof Wiring - Hole in Roof



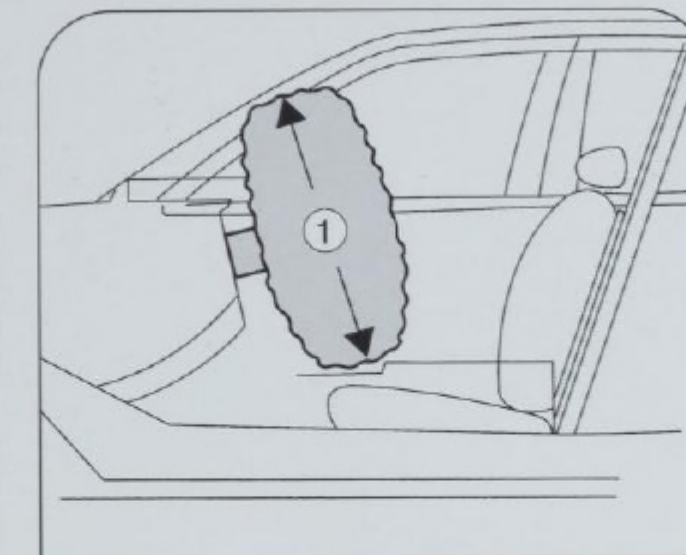
**417 - Auxiliary Fuse Block**  
Three circuits direct battery feed and three circuits ignition controlled. Circuits located right-hand side under instrument panel. These circuits are connected to RPO police accessory feed wires.

417 - Auxiliary Fuse Block

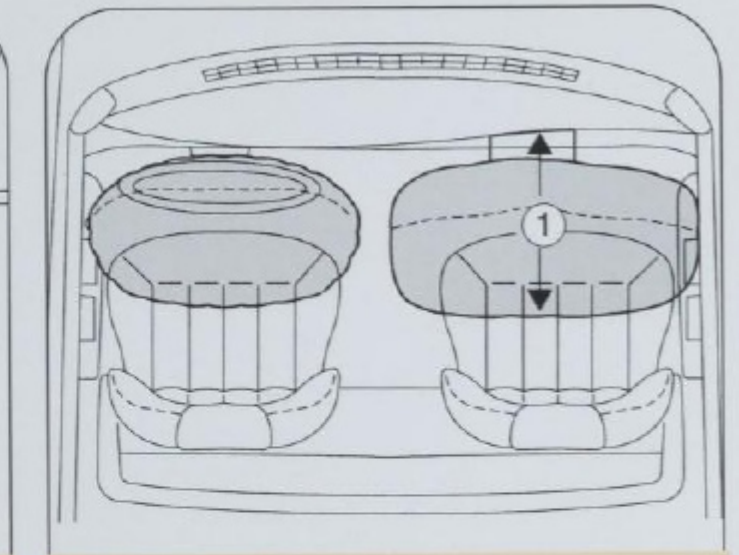
## Interior Police Equipment Mounting Diagrams



**Figure 1**  
1. 325 mm (12.5 inches) from center of air bag door  
2. 375 mm (15 inches) from center of air bag door  
3. 700 mm (27.5 inches)  
No objects should be placed between the airbags due to airbag variability.



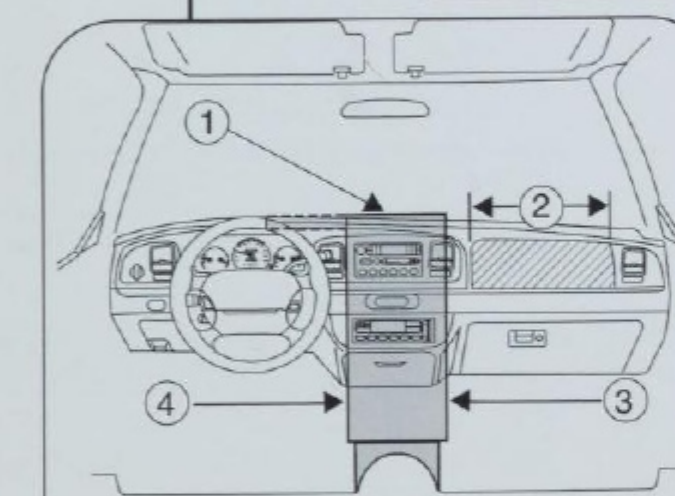
**Figure 2**  
1. 650 mm (25.5 inches). Cross section through center of vehicle (passenger side shown)



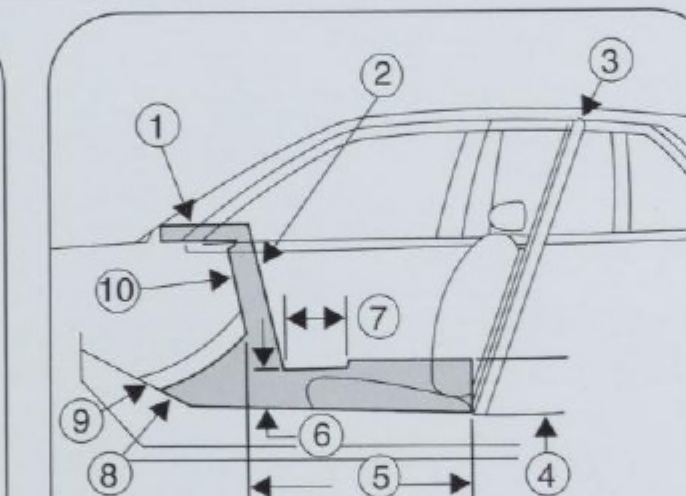
**Figure 3**  
1. 580 mm (23 inches). Front passenger compartment



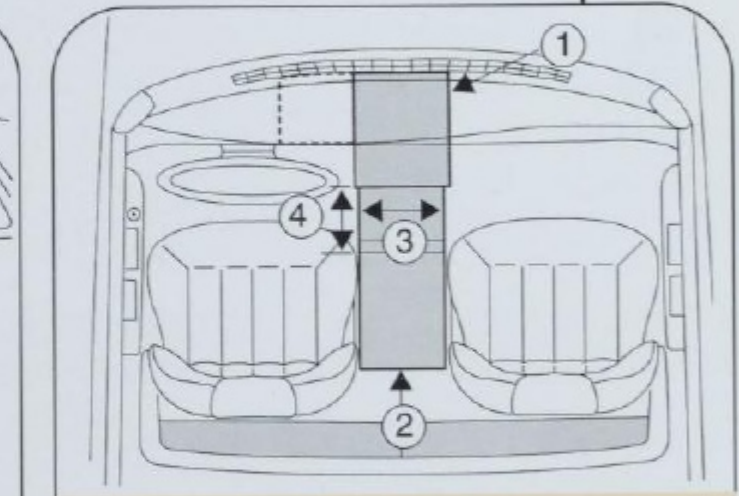
The Police Interceptor's front seats offer enhanced comfort and convenience for 2001. Both seats feature more room for waist-level weapons, and the driver's seat offers a power lumbar adjustment.



**Figure 4**  
1. Area on top of instrument panel. Equipment must not interfere with driver visibility.  
2. The air bag door must be kept clear for deployment of air bag.  
3. Area in front of center console from bottom of ashtray to top of instrument panel (see Figure 2 for dimensions)  
4. 279 mm (11 inches) width horizontally centered on ashtray door.



**Figure 5**  
1. Area on top of instrument panel  
2. Area in front of center console from tunnel up to instrument panel  
3. Prisoner screen  
4. 254 mm (10 inches)  
5. Area on tunnel between seats  
6. Height: 216 mm (8.5 inches)  
7. 305 mm (12 inches)  
8. Area on tunnel beneath center console  
9. Tunnel  
10. Depth: 38 mm (1.5 inches)



**Figure 6**  
1. Area on top of instrument panel. Equipment must not interfere with driver visibility.  
2. Area on tunnel between seats  
3. 229 mm (9 inches)  
4. 305 mm (12 inches)



# FLEET 2001

## 2002 Ford Explorer

### Special Service Vehicle

#### Major Standard Features (XLS Trim)

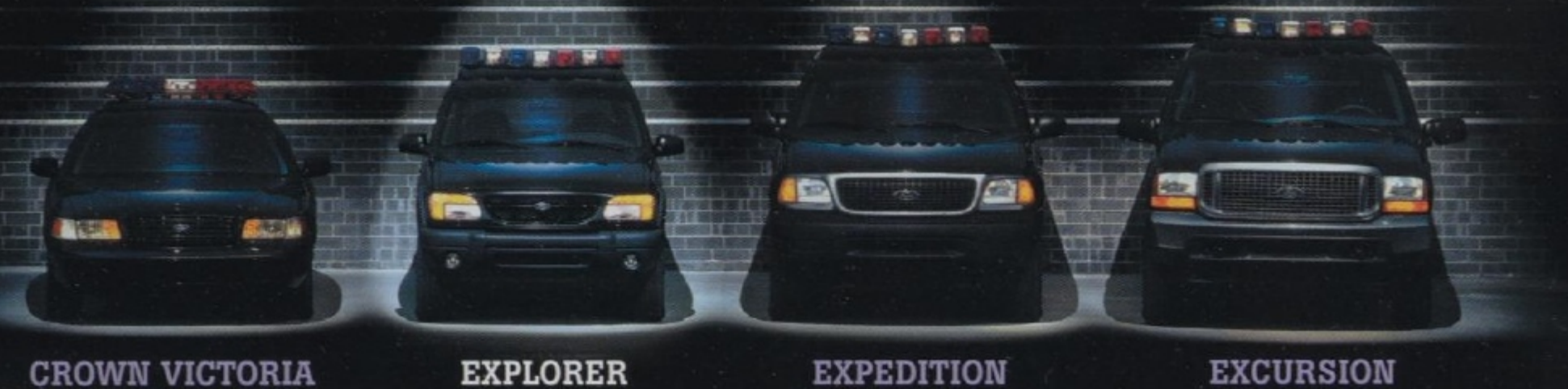
- B-pillar blackout treatment
- Molded color metallic bodyside cladding (lower)
- Painted bodyside molding
- Black grained door handles
- Molded in color metallic front and rear bumpers
- Solar tinted windshield and front door windows
- Medium platinum grille with integral chrome surround
- Faceted reflector quad beam system headlights
- Exterior liftgate release switch
- Black roof rails
- Center, high mounted incandescent stop light
- Bi-color taillamps
- Autolock
- Driver's side Belt Minder™
- Cargo area power lock/unlock button
- Cargo management system
- Four color keyed coat hooks
- Low series floor console
- Front dome/map light
- Illuminated glove box
- One-piece liftgate, hinged at top, with flip-open rear window and paddle type lift gate handle

- Black LH/RH sail-mounted mirrors (power)
- Full face steel-painted electric silver wheels (16 inch) (4)
- Three grab handles
- Heater/defroster with flow-through ventilation
- Inside hood release
- Color keyed full width pad instrument panel
- Side window demisters and air registers
- Day/Night manual rearview mirror
- Power Equipment Group
- Safety Belts
- Speed sensitive dual intermittent front wipers
- Rear window wiper/washer/defroster with dual intermittent wipe feature
- Second Generation driver and passenger air bags theft deterrent
- Manual air conditioning with rotary controls
- Full-length color-keyed carpeting
- Illuminated entry
- Large-bezel electronic AM/FM stereo/cassette with digital clock and four-speakers in doors
- Cloth front captain's chairs, rear split/folding seat with head restraints and floor console

- Headlamps-on, key-in-ignition, safety belt and unbuckled and door ajar warning chimes
- Color keyed, plastic scuff plates (all doors & liftgate)
- Speed control with tap-up/down and cancel feature
- Black urethane steering wheel with tilt column
- Remote keyless entry
- Color keyed visor with covered, non-illuminated mirror
- 4.0L EFI SOHC V6 engine (205HP)
- 5-speed manual overdrive transmission
- 3.55:1 rear axle ratio
- New coil spring front suspension
- New independent rear suspension
- 72-amp/hr (660 CCA) maintenance-free battery
- Battery saver-turns off dome and approach lamps after 30 min.
- Power four-wheel disc brakes, anti lock brake system (ABS) feature
- 22.5 gallon (85.5-liter) fuel tank capacity
- SecuriLock™ passive anti-theft system
- Power rack-and-pinion steering
- Super engine cooling
- P235/70R16 OWL all-season tires
- Steel spare wheel with 235/70R16 OWL all-season tire

#### REGULAR PRODUCTION OPTIONS

	Option Code
4.0L SOHC V6/5-Speed Automatic OD(FFV)	99K/44R
Painted Cast Aluminum 16 inch Wheels (4)	64H
Side Curtain Air Bags (protects first and second row occupants)	21J
XLS Sport Group	66S
- Electric AM/FM Stereo/Clock/Single CD Player	
- Floor Console, High Series	
- Floor Mats (front, rear)	
- Side Step Bar	
- Wheel Lip Moldings	
- Wheels, XLT1500# Cast Aluminum (16 inch)	



CROWN VICTORIA

EXPLORER

EXPEDITION

EXCURSION

#### DIMENSIONS & CAPACITIES

General (4-Door)	English	Metric
Wheelbase	113.7"	2889 mm
Overall length	189.5"	4813 mm
Overall height (with roof rack)	71.0"	1803 mm
Overall width	72.1"	1832 mm
Tread:		
Front	60.9"	1547 mm
Rear	61.2"	1554 mm
Front Seat:		
Head room	39.9"	1013 mm
Leg room minimum	43.9"	1116 mm
Shoulder room	59.1"	1501 mm
Hip room	55.0"	1397 mm
2nd. Row:		
Head room	38.9"	988 mm
Leg room, minimum	37.2"	946 mm
Shoulder room	58.9"	1497 mm
Hip room	54.3"	1378 mm
3rd. Row		
Head room	39.0"	991 mm
Leg room	34.8"	884 mm
Shoulder room	52.4"	1331 mm
Hip room	45.4"	1152 mm
Cargo Area (with seats down)	Cubic Feet	Liters
Cargo Volume — 2 rows of seats	88.0	2492
— 3 rows of seats	81.6	2311

#### MAJOR PRODUCT CHANGES

##### EXTERIOR CHANGES

- All New Exterior Styling
- 2 inch Longer wheelbase (same overall length)
- 2.5 inch Wider Track
- New 16 inch Wheels
- New Exterior Paint Colors
- Molded In color Metallic Cladding/bumpers/Wheel Lip Moldings

##### INTERIOR CHANGES

- Larger Cargo Volume
- Increased Front Shoulder and Leg Room
- Increased Ingress/Egress (Lower Step-In Height)
- Pretensioners/Energy Management Safety Belt System
- Adjustable Height, Second Row Safety Belts
- Upper Tether Child Seat Anchorage

- Telescoping, Tilt Steering Wheel/Column
- New Cargo Management System
- Wider Center Console
- New Interior Trim Color

##### OTHER CHANGES

- More Horsepower - 205 Horsepower 4.0L EFI SOHC V6 Engine Replaces 160 Horsepower 4.0L EFI OHV V6 as Standard Engine
- Front Seat Travel Increased to 10 inches
- All New Independent Rear Suspension
- Tighter Turning Radius
- All New Coil Spring Front Suspension
- Larger 22.5 Gallon Fuel Tank
- Increased Ground Clearance

#### EXPLORER COLOR AND TRIM SELECTIONS

##### INTERIOR TRIM TYPE AND COLOR SELECTOR

NOTE: First letter denotes type and second, color  
Cloth Captain's Chairs

##### EXTERIOR TRIM COLORS

EXTERIOR TRIM COLORS	CODE
Harvest Gold Clearcoat Metallic	B2
Toreador Red Clearcoat Metallic	FL
Deep Wedgewood Blue Clearcoat Metallic	LL
Dark Highland Green Clearcoat Metallic	PX
Mineral Grey Clearcoat Metallic	TK
Silver Frost Clearcoat Metallic	TS
Black Clearcoat	UA
Oxford White Clearcoat	YZ

• - Available

##### INTERIOR TRIM COLOR

Dark Graphite	Medium Parchment
AT	AP

##### AVAILABILITY

EXTERIOR TRIM COLORS	Dark Graphite (AT)	Medium Parchment (AP)
Harvest Gold Clearcoat Metallic	•	•
Toreador Red Clearcoat Metallic	•	•
Deep Wedgewood Blue Clearcoat Metallic	•	•
Dark Highland Green Clearcoat Metallic	•	•
Mineral Grey Clearcoat Metallic	•	•
Silver Frost Clearcoat Metallic	•	•
Black Clearcoat	•	•
Oxford White Clearcoat	•	•

**EXPLORER IS NOT DESIGNED  
OR INTENDED TO BE USED AS A  
PURSUIT VEHICLE**



# FLEET 2001

## Ford Expedition

### Special Service Vehicle

#### Major Standard Features (XLT Trim)

- Chrome front w/top cap and chrome rear step bumpers
- Solar tinted glass (complete)
- Fixed glass quarter windows
- Privacy glass (quarter windows, rear doors, rear window)
- Dual power fold-away mirrors
- Color-keyed bodyside moldings with bright insert
- 16" styled steel wheels (4)
- P255/70R16 BSW all-season tires
- Steel spare wheel and matching road tire, underbody crank down
- Front speed-sensitive intermittent wipers
- Air conditioning, manual control

- Driver and front passenger airbags, Second Generation
- Color-keyed carpet
- Cargo area tie-downs
- Carpeted front and rear floor mats
- Keyless entry keypad
- Power adjustable pedals
- Power door locks with childproof rear doors
- Power side windows with one-touch down driver's window
- Premium AM/FM stereo radio with cassette
- Remote keyless entry with 2 key fobs
- 40/60 cloth power driver split bench seat with manual driver lumbar
- Second-row 60/40 cloth split bench seat and third-row cloth bench seat

- SecurILock™ passive anti-theft system
- Speed control
- Tilt steering wheel
- 72-amp./hr 650CCA maintenance-free battery
- Power four-wheel disc brakes with four-wheel anti-lock brake system
- 4.6L SEFI SOHC V8 engine
- 26-gallon (98-liter) fuel tank capacity (4x2); 30-gallon (113-liter) fuel tank capacity (4x4)
- Four-speed automatic overdrive transmission
- Front tow hooks (4x4)

#### XLT REGULAR PRODUCTION OPTIONS

Option Code	Option Code
5.4L SOHC V8/4-Speed Auto O/D 99L44	Comfort/Convenience Group 66A
P255/70R16 OWL All-Terrain Tires T65	Auxiliary Heater/Air Conditioner (Rear) (Fleet Special Service Package Only) 574
Wheels, Cast Aluminum (16") (4) 646	Class IV Trailer Towing Group 535
Wheels, Cast Aluminum (17") (4x4) (4) 64Z	6-Disc CD Changer 91P
Captain's Chairs, Cloth w/Floor Console F	Four-Corner Load-Leveling Suspension (4x4) 68P
Captain's Chairs, Leather Seating Surfaces w/Floor Console 1	License Plate Bracket 153
Axle, Limited-Slip Rear XH7	Power Moonroof 43M
Third Row Bench Seat (Fleet Special Service Package Only) 875	Skid Plate Package (4x4) 413
Premium Sport Appearance Group (Requires Comfort/Convenience Group 66A) 552	Running Boards, Illuminated (Fleet Special Service Package Only) 186
	Reverse Sensing System 162
	Side Air Bags 67A

**EXPEDITION IS NOT DESIGNED OR INTENDED TO BE USED AS A PURSUIT VEHICLE**



CROWN VICTORIA

EXPLORER

EXPEDITION

EXCURSION

#### DIMENSIONS & CAPACITIES

General (4-Door)	English	Metric
Wheelbase	119.1"	3025 mm
Overall length	204.6"	5196 mm
Overall height (empty)	76.5" a/	1943 mm
Overall width	78.6"	1996 mm
Tread:		
Front	65.4"	1661 mm
Rear	65.5"	1664 mm
First-Row:		
Head room	39.8"	1011 mm
Shoulder room	63.9"	1623 mm
Hip Room	61.5"	1562 mm
Leg room, max.	40.9"	1039 mm
Second-Row:		
Head room	39.8"	1011 mm
Shoulder room	64.4"	1636 mm
Hip room	62.3"	1582 mm
Leg room, max.	38.9"	988 mm
Third-Row:		
Head room	35.0"	889 mm
Shoulder room	66.7"	1694 mm
Hip room	59.8"	1519 mm
Leg room, max.	27.0"	686 mm
	Cubic Feet	Liters
Cargo Area		
Cargo Volume-third-row bench seat removed: 2nd-row bench seat folded	110.7	3135.0
Cargo Volume-third-row bench seat removed a/ 78.4" on 4 x 4	60.9	1724.7

#### FLEET SPECIAL PACKAGE FEATURES (ORDER CODE 17K)

- Cloth Bucket Seats in Medium Graphite w/driver manual lumbar
- Second Row Vinyl Bench Seat w/o armrest/cupholder
- Heavy Duty, Rubber Floor Covering
- Cloth Visors w/o Auxiliary Visors
- Day/Night Rearview Mirror
- 16" Styled Steel Wheels
- P255/70R16 BSW All-Season Tires
- Painted Front and Rear Bumpers
- Black Painted Mirrors
- Black Painted Door Handles
- Black Painted Door Moldings
- Deletes Floor Mats, Remote Keyless Entry (Key Fobs), Illuminated Entry, Keyless Entry Keypad, Power Driver's Seat, 3rd Row Bench Seat and 1st Row Center Floor Console

#### EXPEDITION COLOR AND TRIM SELECTIONS

##### INTERIOR TRIM TYPE AND COLOR SELECTOR

NOTE: First letter denotes type and second, color  
Cloth Bucket Seats/Vinyl 2nd/3rd Row Bench Seat  
Cloth 40/60 Power Driver Split Bench Seat

##### INTERIOR TRIM COLOR

Medium Graphite  
S2  
M2

##### EXTERIOR TRIM COLORS

	CODE	AVAILABILITY
Dark Toreador Red Clearcoat Metallic	JL	•
Dark Highland Green Clearcoat Metallic	PX	•
Black Clearcoat	UA	•
Silver Clearcoat Metallic	YN	•
Oxford White Clearcoat	YZ	•
Medium Wedgewood Blue	LD	•
Deep Wedgewood Blue	LL	•

• = Available



# FLEET 2001

## Ford Excursion

### Special Service Vehicle

#### Major Standard Features (XLT Trim)

- Chrome front bumper with Medium Platinum valance
- Chrome rear bumper with black step pad
- Privacy glass
- Power mirrors, non-bright, low-gloss black, heated
- Electrochromic Rear View Mirror
- Platinum bodyside cladding
- Rear tri-panel doors, top-half liftgate and two lower cargo doors
- Roof rack
- Non-illuminated running boards, black
- Front tow hooks
- Chrome steel wheels
- LT265/75 OWL all-season tires

- Steel spare wheel and matching road tire
- Front intermittent wipers
- Rear intermittent wiper/washer/defroster
- Driver and front passenger airbags, Second Generation
- Manual front and rear air conditioning
- Premium AM/FM Audio System with cassette/single CD/80-watt amplifier
- Keyless entry keypad
- Remote keyless entry with two key fobs
- Cargo net with tie-downs
- Color-keyed carpet with 1st- and 2nd-row floor mats
- Overhead mid-vehicle console
- Power door locks and side windows

- Cloth Captain's Chairs (Front)
- 2nd-row 60/40 split bench seat with center armrest cupholders
- 3rd-row removable fold-flat cloth bench seat
- Leather-wrapped steering wheel
- Speed control and tilt steering wheel
- 78-amp./hr. 750 CCA maintenance-free battery with battery saver
- 5.4L SEFI SOHC V8 engine (4x2); 6.8L SEFI SOHC V10 engine (4x4)
- Power four-wheel disc brakes with four wheel anti-lock brake system
- 44-gallon (166-liter) fuel tank capacity
- Four-speed automatic overdrive transmission
- Auxiliary Air Conditioning
- Class IV Trailer Tow



CROWN VICTORIA

EXPLORER

EXPEDITION

EXCURSION

#### XLT REGULAR PRODUCTION OPTIONS

	Option Code
6.8L SOHC V10 4-Speed Automatic OD (4x2)	99S/44E
7.3L V8 Diesel/4-Speed Automatic O/D	99F/449
LT265/75R16D OWL All-Terrain Tires	T4T
License Plate Bracket	153
Axle, Limited Slip Rear	—
Power Heated Mirrors	54E
Trailer Tow/Telescoping Transfer Case	
Skid Plate (4x4)	413
6-Disc In-Dash CD Radio	581
Polished Aluminum Wheels	64F
Reverse Sensing System	76R
Cloth 40/20/40 Split Bench Seat (Front)	883
Comfort & Convenience Group	17J

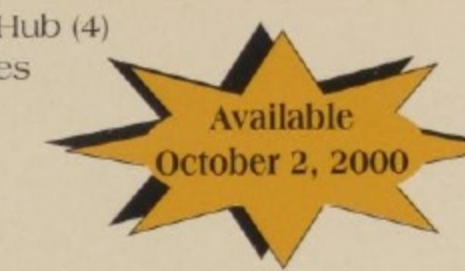
#### DIMENSIONS & CAPACITIES

General	English	Metric
Wheelbase	137.1"	3482 mm
Overall length	226.7"	5758 mm
Overall height	77.2" a/	1961 mm
Overall width	79.9"	2029 mm
Tread Front	68.4"	1737 mm
Tread Rear	68.1"	1730 mm
First Row:		
Head room	41.0"	1041 mm
Shoulder room	68.3"	1735 mm
Hip room	67.5"	1715 mm
Leg room, max.	42.3"	1074 mm
Second Row:		
Head room	41.1"	1044 mm
Shoulder room	67.0"	1702 mm
Hip room	66.9"	1699 mm
Leg room, max.	40.5"	1029 mm
Third Row:		
Head room	38.6"	980 mm
Shoulder room	64.9"	1648 mm
Hip room	52.5"	1334 mm
Leg room, max.	39.0"	991 mm
Cargo Area	Cubic Feet	Liters
Cargo Volume - Behind Front-Row Seat	146.4	4146.0
Behind Second-Row Seat	100.7	2851.8
Behind Third-Row Seat	48.0	1376.4

a/ 4x2: 80.2" (2037 mm) on 4x4

#### SPECIAL SERVICE PACKAGE (ORDER CODE 17K)

- Argent Steel Wheels with Black Center Hub (4)
- LT 265/75RX16DBSW ALL - Season Tires
- Cloth Captain's Chairs
- Front Air Conditioning
- Bodyside Moldings
- Manual Black Mirrors
- Heavy Duty Rubber Floor Covering
- Standard Rearview Mirror



The following is Deleted:

- Auxiliary Air Conditioning
- Third-Row Bench Seat
- Bodyside Cladding
- Cargo Net
- Floor Mat
- Overhead Console
- Roof Rack Cross Members
- Chrome Steel Wheels
- OWL Tires

#### EXCURSION COLOR AND TRIM SELECTIONS

##### INTERIOR TRIM COLOR

NOTE: First letter denotes type and second, color.

	Medium Parchment	Medium Graphite

##### FLEET SPECIAL SERVICE

	CODE	CH	C2
Cloth Full Bench Seat			
XLT			
Cloth 40/20/40 Split Bench Seat		3H	32
Cloth Captain's Chairs w/Floor Console		FH	F2
G-Grain Leather Surfaces Captain's Chairs w/Floor Console		4H	42

##### EXTERIOR TRIM COLORS

	FL	FU	LL	SP	UA	YN	YZ
Toreador Red Clearcoat Metallic	•	•	•	•	•	•	•
Dark Green Satin Clearcoat Metallic	•	•	•	•	•	•	•
Deep Wedgewood Blue Clearcoat Metallic	•	•	•	•	•	•	•
Medium Steel Blue Clearcoat Metallic	•	•	•	•	•	•	•
Black Clearcoat	•	•	•	•	•	•	•
Silver Clearcoat Metallic	•	•	•	•	•	•	•
Oxford White Clearcoat	•	•	•	•	•	•	•

• - Available

**EXCURSION IS NOT DESIGNED  
OR INTENDED TO BE USED AS A  
PURSUIT VEHICLE**

## OWNERSHIP EXPERIENCE

### BUMPER-TO-BUMPER COVERAGE

Under the New Vehicle Limited Warranty, you receive bumper-to-bumper coverage for 3 years/36,000 miles with no deductible. You also receive corrosion perforation coverage for five years with unlimited mileage and no deductible. Ask your Ford Dealer for a copy of the warranty.



### Ford Extended Service Plans (ESP) for Police Vehicles

Optional Ford Extended Service Plans can cover major components on new Ford cars and light trucks after the vehicle's basic warranty coverage ends. Four new vehicle plans are available, each with a choice of \$100.00 deductible, \$50.00 deductible or \$0 deductible. The plans are:

- Powertrain CARE
- Base CARE
- Extra CARE
- Premium CARE

All four plans are offered for 3 years/60,000, 75,000, 100,000 miles or 5 years/75,000 miles. See your Ford dealer for details including pricing for all plans, deductible levels and time/mileage intervals.



### Ford Customer Service

Additional fleet customer sales and service support can be obtained by dialing 1-800-34-FLEET (35338).



### DEDICATED NATURAL GAS

For more information on the Dedicated Natural Gas Crown Victoria, please call 1-800-ALT-FUEL. For any other information, call 1-800-34-FLEET (U.S.) or 1-800-668-5515 (Canada).



North American Fleet, Lease & Remarketing Operations  
State and Local Government Sales

*Information herein was correct when approved for printing. Ford Motor Company reserves the right to discontinue or change at any time, specifications, designs or programs without incurring obligation.*



## COMMERCIAL LENDING SERVICES

### Ford Credit's Municipal Lease/Purchase Program

Municipal Lease/Purchase Financing is available to state and local governments. Benefits of the Ford Credit Program are:

- Lower Payments and tax exempt financing
- Replace vehicles in need of costly repair and maintenance
- Contracts can be structured with a budget non-appropriation provision; which, in many states means they are considered current obligations rather than long-term debt.
- Payments can be made monthly, quarterly, or annually, and can even be deferred to meet fiscal/budget year scheduling.
- Finance all makes and models and include any special equipment and accessories.

Call (800) 241-4199 or visit [www.fordcreditmunicipal.com](http://www.fordcreditmunicipal.com) for details.

### SPECIFY GENUINE FORD COLLISION REPAIR PARTS

Genuine Ford sheet metal and plastic replacement collision parts, such as hood, doors, fenders and bumper components, are the right choice – and for all the right reasons. Genuine Ford parts are equal to original parts in fit, finish and structural integrity. Ford parts are the same as those used on new vehicles which are certified to meet Federal Motor Vehicle Safety Standards. And you receive corrosion perforation coverage under the Ford Lifelong Sheet Metal Guarantee. Ask your dealer to see a copy of this limited warranty. Don't settle for imitations. Ask your insurer to authorize genuine Ford collision parts.

### OPTIONS AVAILABILITY

Options shown or described in this catalog are available at extra cost and may be offered only in combination with other options or subject to additional ordering requirements or limitations.

### PRODUCT CHANGES

Following publication of this catalog, certain changes in standard equipment, options and the like, or product delays, may have occurred which would not be included in these pages. Your Ford Dealer is your best source for up-to-date information. Ford Division and Ford of Canada, Ltd., reserve the right to change product specifications at any time without incurring obligation.