



# SIGMA



# AUSTRALIA'S FAVOURITE FOUR

Mitsubishi's Sigma, Australia's favourite 4 cylinder car, represents timeless styling and remarkable value in today's motoring world.

The roll-over bonnet design is enhanced by flush-fitting quartz halogen headlamps and raked laminated windscreen. Newly designed grille, bumpers and black paint treatment to the

lower body add stylish touches to Sigma's streamlined body.

## SPACE AND COMFORT

Inside there's plenty of head, shoulder and leg room for the whole family with lots of space for luggage.

Fully adjustable bucket seats—with head restraints plus lumbar support for the driver—provide superb driving comfort, particularly on long trips.

The interior is upholstered in a new fabric, designed to complement Sigma's new eighties style colour range.

The impressive features include an AM/FM/MPX radio and dual function bi-level flow through ventilation and heater/demister system with a side window defrost facility.

Tilt-adjustable steering column, intermittent wiper control, 4-door courtesy lights, right and left hand remote control door mirrors and a remote bootlid or tailgate release complete the picture.

The headlamp interlock system reduces the chance of a flat battery from leaving your headlamps on by automatically switching them off with the ignition.

Previous Sigmas have been acclaimed by the motoring press as one of the quietest cars on the road. Thanks to Mitsubishi's continual search for excellence in design and the smoothness

of the Astron "Balance Shaft" engines, the new models maintain this high standard.

## GL SEDAN

The new Mitsubishi Sigma GL sedan has a proud heritage to live up to. It is a car that is built to last. It is available with all the features mentioned plus the options of power steering and cast alloy wheels. How else could it continue to be Australia's favourite four?



# HIGH ROOF WAGON CONVENIENCE

## GL WAGON

Now Australia's best selling 4 cylinder wagon is even better. The new high roof dramatically increases interior space, giving not only more headroom but increased rear seat leg room and loads more room for luggage or cargo.

Mitsubishi has also given you more convenience as well. An electromagnetic release

lets you unlock the tailgate without leaving the driver's seat.

Even more convenient is the flexibility of a 60/40 split rear seat. Awkward loads, or the need to carry passengers and lots of luggage, are no problem as you can now fold down either of both sides of the rear seat back, depending on your needs.

The new Sigma GL wagon is available both with or without the rear air deflector, with power steering or with cast alloy wheels.

## SIGMA RESPONSIVENESS

Sigma GL Sedan and Wagon share the same responsive steering.

Its variable ratio, which

combines the precision of rack-and-pinion steering with the smoothness of the recirculating ball system, takes all the effort out of driving.

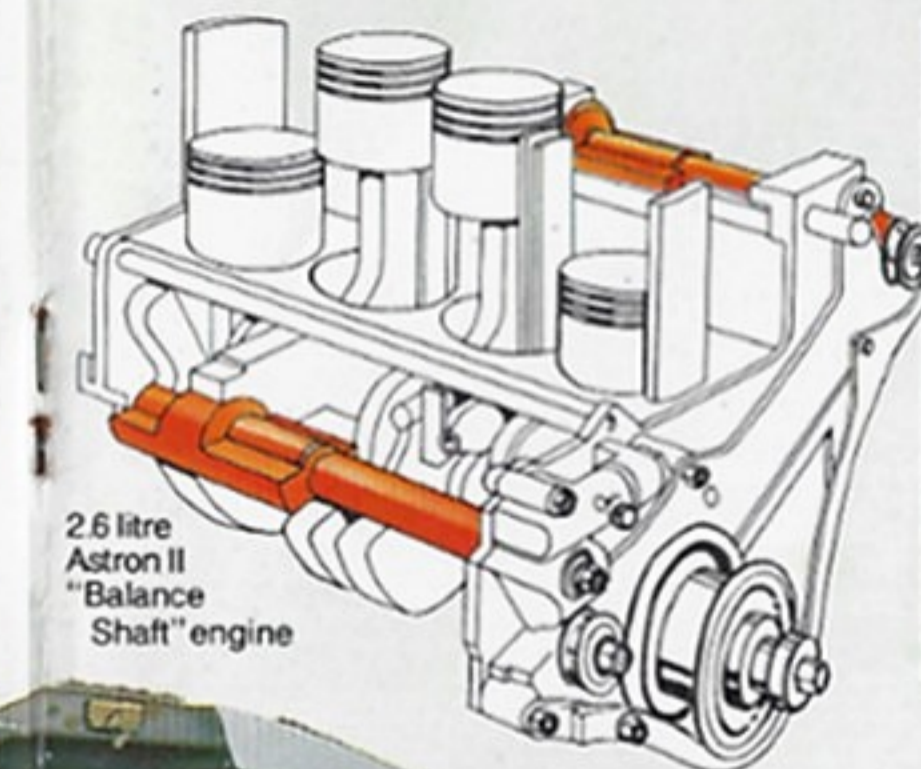
Braking is positive due to power assisted front disc brakes. The proven suspension system provides road holding and handling which, even under adverse conditions, are unsurpassed

by any other medium sized rear wheel drive car.

Sigma is powered by the legendary 2.0 litre Astron "Balance Shaft" engine. This proven fuel efficient engine is matched with a 4-speed manual transmission for economical motoring.

## ASTRON II PERFORMANCE

Now Sigma is also available



2.6 litre Astron II "Balance Shaft" engine

with the improved 2.6 litre Astron II "Balance Shaft" engine—Australia's largest 4-cylinder engine. The Astron II powerplant has been specially developed by Mitsubishi to cater for the future demands of the next generation of motor vehicles.

With it comes a 5-speed manual transmission for optimum performance combined with overdrive

economy. Or, if you prefer, there is the convenience of a 3-speed automatic to make life just a little easier.

So in a world where everything's changing it's nice to know that there is still a Mitsubishi Sigma, a car which continues to set the standards for economical and comfortable family style motoring.



# WHAT THE BEST DRESSED SIGMAS ARE WEARING

When ordering your Sigma the next step is to dress it up to your own personal taste with Mitsubishi's range of accessories and options. Only genuine Mitsubishi parts and accessories are engineered to fit exactly. That is why Mitsubishi Motors Australia Ltd. warrants approved parts and accessories for a period of 12 MONTHS/20,000 KILOMETRES.

## GENUINE MITSUBISHI AIR-CONDITIONING

The problem with Australia's climate is that it can be so temperamental. On a given day it can be unbearable, then the temperature can change several degrees.

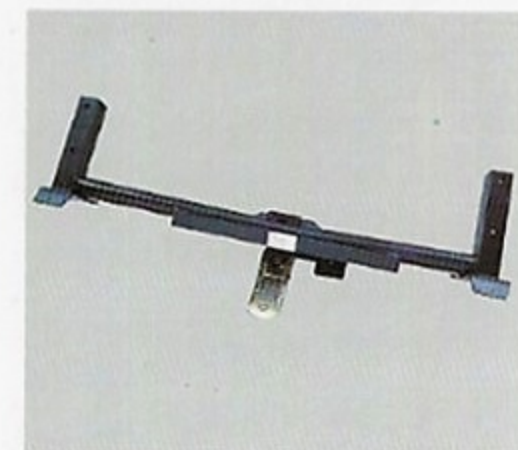
Maintaining the most comfortable environment inside your Sigma—regardless of the temperature outside—is what Mitsubishi's thermostatically controlled air-conditioning is all about.

Mitsubishi's filtered air recirculation system provides clean air all year round. Since it's fully integrated the temperature inside your Sigma can be fine-tuned quickly and accurately.

Unlike cheaper after-market systems a Genuine Mitsubishi Motors Air-conditioner is manufactured to exacting standards to deliver maximum performance, especially in very hot weather, without overloading the engine.

Genuine Mitsubishi Air-conditioning incorporates a special solenoid which adjusts the engine idle speed to eliminate the risk of stalling while stationary with the air-conditioning running.

Each Mitsubishi air-conditioner is covered by a 12 MONTH UNLIMITED KILOMETRE WARRANTY. Ask your Mitsubishi Dealer to fit Genuine Mitsubishi Air-conditioning.



**TOW BAR:** Available with flush or surface mounted electrical connectors this is the only Tow Bar designed and approved by Mitsubishi for your Sigma.



**INSECT SCREEN:** Easily installed or removed for cleaning, the screen prevents insects clogging the radiator or air-conditioning condenser.



**MUD FLAPS:** Protect your Sigma's paintwork from mud, slush and debris.



**ROOF RACK:** Designed to cope with extra luggage while complementing Sigma's timeless styling.



**HEADLAMP PROTECTOR:** Moulded in clear plastic it enhances the appearance of your Sigma whilst protecting the headlights from flying stones and debris.



**REAR WINDOW LOUVRE:** Attractive and functional to protect the rear of the cabin from direct sunlight without hindering visibility.



**SUNSHADE:** Available in mesh form as illustrated or as a colour co-ordinated blade type it reduces glare in the front seat.



**WEATHERSHIELD:** Available for both right and left hand front doors and moulded in either clear or tinted distortion-free plastic.



**REAR VENETIAN SHADES:** Available in either black or white for the Sedan or Wagon they reduce the sun's penetration into the cabin.

# SPECIFICATIONS

ENGINE:		OPTIONAL:	
2.0 litre Astron "Balance Shaft" 4 cylinder OHC. Single downdraft 2 barrel carburettor with automatic choke. Electronic ignition.		2.6 litre Astron II "Balance Shaft" 4 cylinder OHC. Single downdraft 2 barrel carburettor with automatic choke. Hydraulic tappets. Electronic ignition.	
Capacity	1995cc	2555cc	
Bore x Stroke	84.0mm x 90.0mm	91.1mm x 98.0mm	
Compression Ratio	9.5:1	8.8:1	
Maximum Power (DIN)	70.1kW @ 5600rpm	83kW @ 5200rpm	
Maximum Torque (DIN)	152.3Nm @ 2400rpm	200Nm @ 2400rpm	

TRANSMISSION:			
	Manual 4-speed, all synchromesh	Optional 5-speed, all synchromesh	Automatic 3-speed, T-bar shift
Ratios	First 3.740:1	3.369:1	2.393:1
	Second 2.136:1	2.035:1	1.450:1
	Third 1.360:1	1.360:1	1.000:1
	Fourth 1.000:1	1.000:1	
	Fifth 0.856:1	0.856:1	
	Reverse 3.635:1	3.635:1	2.094:1

FINAL DRIVE RATIO:		WHEELS:	
2.0 litre engine	3.700:1	5JJx14 pressed steel with wheel covers	
2.6 litre engine	3.420:1	Optional 5.5JJx14 cast alloy	

CLUTCH:		TYRES:	
Single dry plate with diaphragm spring.		P175/75SR14 steel belted radials	

SUSPENSION:		TOWING CAPACITIES:	
Front	Independent MacPherson strut with coil springs and stabiliser bar.	Maximum static trailer weight imposed on vehicle tow bar	68kg
Rear	4-link type with coil springs and gas filled telescopic shock absorbers.	Maximum caravan/trailer weight without trailer brakes	600kg
		with trailer brakes	2.0 litre engine 925kg
		2.6 litre engine	1100kg

STEERING:		DIMENSIONS:	
Recirculating ball		Sedan	Wagon
Variable ratio	17.2:1—21.1:1	Overall Length	4520mm 4484mm
Optional	16.4:1 Power steering	Overall Width	1681mm 1666mm

BRAKES:		FUEL TANK CAPACITY:	
Front	Power assisted 254mm discs	Sedan	60 litres
Rear	228mm drums	Wagon	53 litres

ELECTRICAL SYSTEM:		KERB WEIGHT:	
12 volts		Manual	1151kg 1205kg
Battery 2.0 litre engine & 2.6 manual	53Ah	Automatic	1156kg 1210kg
2.6 Automatic	60Ah		
Alternator	40Amp		

EXTERIOR FEATURES:	SEDAN	WAGON
Rectangular quartz halogen headlamps	●	●
Side protection mouldings	●	●
Body coloured bumper bars with bumper protectors	●	●
Right and left hand remote control mirrors	●	●
Lockable fuel filler door	●	●
Laminated windscreen with graded band	●	●
Heated rear window	●	●
Tinted side and rear windows	●	●
Tailgate window wiper/washer	●	●
2-speed intermittent windscreen wipers	●	●
Cast alloy wheels	●	●
Air deflector deletion	●	●

INTERIOR FEATURES:	SEDAN	WAGON
Soft grip 2-spoke steering wheel	●	●
60/40 split back rear seat	●	●
Separate reclining front seats with fore/aft slide adjustments and adjustable head restraints	●	●
Lumbar support and tilt adjuster on driver's seat	●	●
Tilt-adjustable energy absorbing steering column	●	●
Needle punch carpet	●	●
Floor console with accessory bar	●	●
Prismatic interior rear vision mirror	●	●
Pull-out passenger assist handles	●	●
AM/FM/MPX radio with 2 speakers	●	●
AM/FM/MPX radio/stereo cassette player with 2 speakers	●	●
Child proof door locks	●	●
Remote tailgate/bootlid release	●	●
Boot lamp operated by boot lid	●	●
Rear load compartment lamp	●	●
Air-mix heater/demister with 3-speed fan, side front window demisters and illuminated controls	●	●
Air conditioning	●	●
Digital clock, tachometer, speedometer, odometer and trip meter	●	●
Warning lamps for oil pressure, battery charge, low fuel, fuel pacer, main beam, turn signal, hazard signal, park brake, brake failure and door ajar	●	●
Headlamp interlock system	●	●
Fuse check system	●	●

MECHANICAL FEATURES:	SEDAN	WAGON
2.0 litre Astron "Balance Shaft" engine	●	●
2.6 litre Astron II "Balance Shaft" engine	●	●
4-speed manual transmission	●	●
5-speed manual transmission	●	●
3-speed automatic transmission	●	●
Power steering	●	●

● Standard ● Optional

**WARRANTY:** Mitsubishi Motors Australia Ltd. offers a 12 month unlimited kilometre warranty on Mitsubishi Sigma. Always consult your authorised Mitsubishi Dealer for the latest details on specifications, options, prices and availability. All product illustrations and specifications referred to herein are correct at the time of publication approval. Some of the equipment shown on product illustrations is optional at extra cost and some options may be required in combination with other options. Subject to any applicable Federal, State or Territory laws or ordinances which may apply from time to time, Mitsubishi Motors Australia Ltd. reserves the right, without notice or obligation, to discontinue or make changes to designs, specifications, colours and materials of the products and options referred to herein at any time without incurring any liability to any purchaser thereof. Mitsubishi Motors Australia Ltd.



# THE BEST SIGMA EVER BUILT

