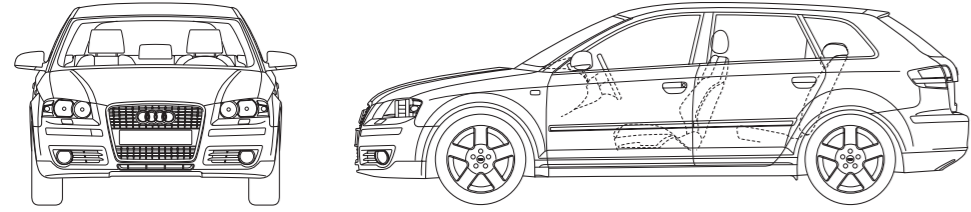




Audi A3 Sportback





More than a vehicle.

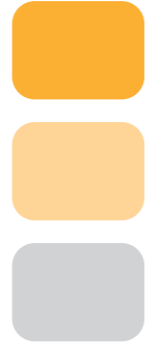


Every day is different. Every place is different.
There is no car like the Audi A3 Sportback.

In a world that is becoming ever more exciting, cars always have to get better. The ideal car has to be just as flexible as the people are who drive it. Just as dynamic as the lives they lead. And most important of all: It must be just as enjoyable as life itself. But is that possible?

Our designers and developers haven't asked themselves this question. They have just got on with it. They have developed a car that is tailor-made to match the lifestyles of modern people.

The result: a completely new car concept. The first five-door hatchback that has the sporty feel of a coupé – the Audi A3 Sportback.





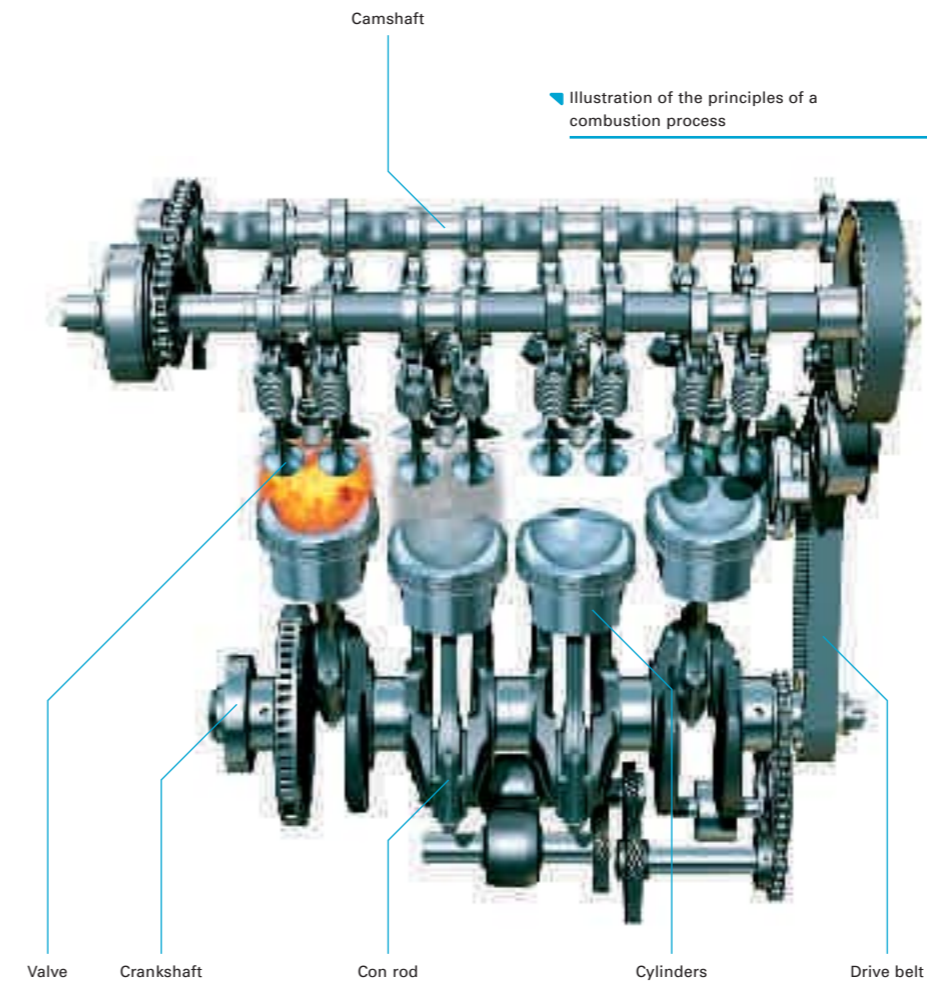
More than a heartbeat.

What are we going to do today? – Can there be a better question than that?

A surprise can be waiting for us around every curve and beyond every hill that lies before us there is something completely new.

Let's not waste any time. Because life is much too exciting to miss even one single second of it.





The fuel consumption and CO₂ emissions figures can be found in the Technical Data section, page 68 onwards.



Everyone has their own likes and dislikes and their own style of driving. Here you will find the engine that most suits you.

The A3 Sportback is available in six petrol versions and three diesel versions.

Such as, for example, the 1.6 l four-cylinder engine with 75 kW with manual transmission or tiptronic. Or the 1.6 FSI with a 1.6 litre displacement and a power output of 85 kW. Its maximum torque is 155 Nm at 4,000 rpm. Or if you want something even more powerful: the 2.0 FSI with a power output of 110 kW, the 1.8 TFSI which delivers 118 kW and the 2.0 TFSI at 147 kW.

The four-cylinder models are only out-muscled by the 3.2-l six-cylinder engine in the A3 Sportback.

With 184 kW and a maximum torque of 320 Nm at 2,500 to 3,000 rpm, it accelerates the A3 Sportback from 0 to 60 in 6.3 seconds (6.4 seconds with the manual shift). The V6 version of the A3 Sportback is optionally equipped with S tronic or manual shift transmission. And in the same manner with quattro®.

As well very dynamic are the diesel power units: the 1.9 TDI at 77 kW and the 2.0 TDI at 103 kW and 125 kW.

More than a cockpit.



However exciting it may be on the road, it's a worthwhile exercise to take a look at the interior of the A3 Sportback.

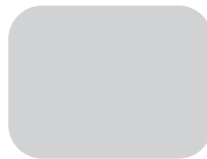
The round air vents, the compact combination instrument panel, the steering wheel design and the kneepad are only some of the features that say to you at the first glance: You are driving a sports car.

Take a look also at the optionally available aluminium trim that is in the driver's line of vision.

And, for instance, the instrument panel with its top in black and bottom in beige.

Adjust the seat into your individual sitting position using the optionally available electrical seat-positioning device.

And use all of those many practical details such as the glove box or the storage box underneath the front passenger seat.





More than useful technology.

Enjoy the journey! And don't waste time thinking about what other people can do for you.

The easy to use navigation system removes the need for map reading. The intelligent comfort air conditioning of the A3 Sportback maintains temperatures at

comfortable levels. The rain sensor provides assistance for operating the wipers and finding the right wipe interval.



More than a good feeling.

Driving an A3 Sportback is almost as safe as staying at home. Only it's much more pleasant.

Permanently on the move, but always in good hands. With the Audi A3 Sportback's passive safety system.

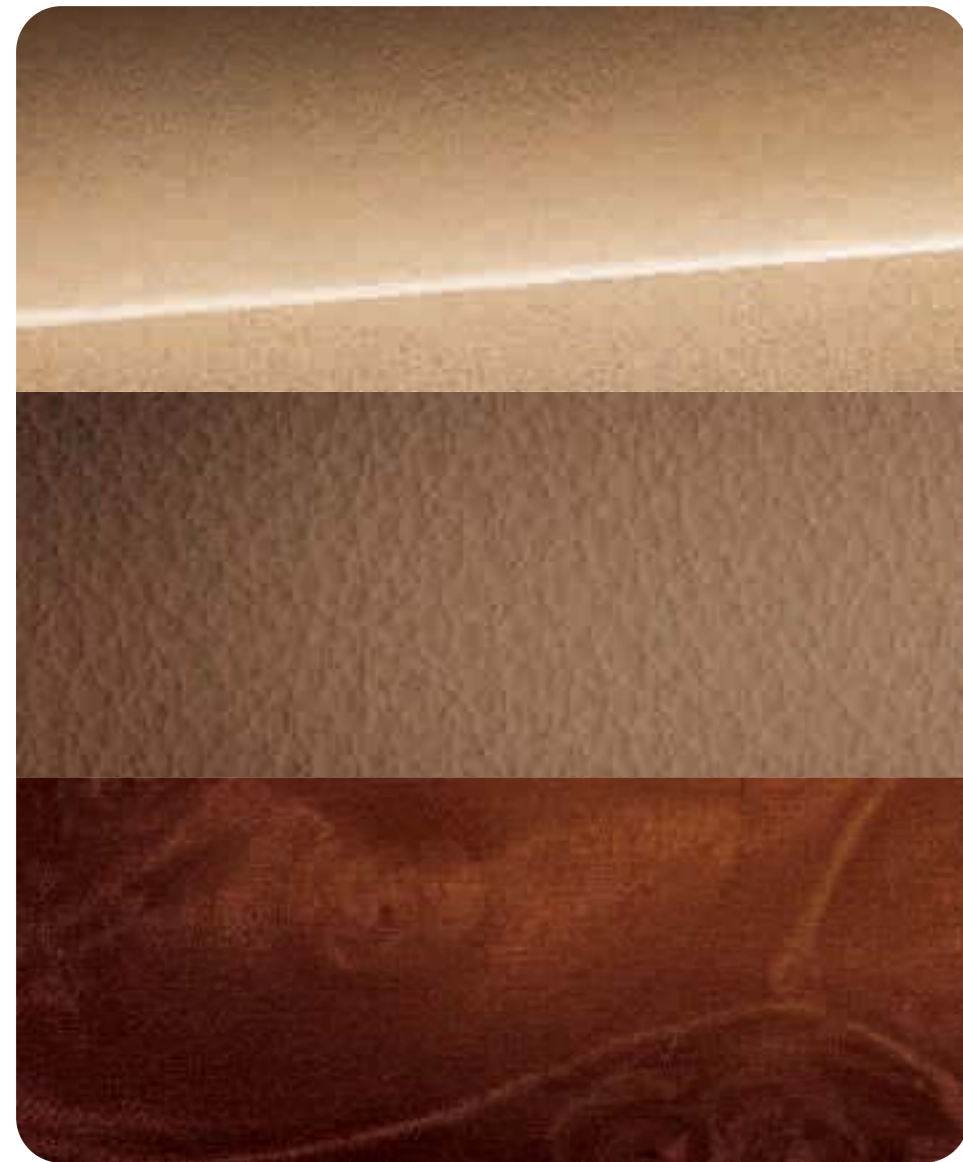
The one thing that you can always see of this is probably the safety belts. Here we are giving you an exclusive viewing of everything else.

Like for example the high-strength passenger compartment. Or the six remote sensors of the crash sensor system, that provides an effective release of the retention system in the event of a crash.

In the event of a rear-end collision, the Audi backguard seats are designed to hold the upper body in place and support the head; this increases the protective effect and reduces the risk of whiplash injuries.

Also worthy of note: the two-stage driver and passenger airbags, the side airbags in the seats, as an option also in the rear and the head airbag system sideguard, which in the event of a side impact covers virtually the whole of the side-window surface.





More than exclusivity.

Endless possibilities for individual design.

With Audi exclusive, you can lend your Audi a unique character, right down to the last detail. Whether you opt for high-grade wood, high-quality leather, paints or optional equipment – the choice from this exclusive range is entirely yours.

Because Audi exclusive gives you the opportunity to choose whatever combinations you like and make your own wishes a reality. For further information on the Audi exclusive range from quattro GmbH please contact your Audi partner.

Ergonomic: Sports seats in cloth/leather combination with S line emblem.



Extravagant: S line sports leather steering wheel in 3-spoke styling, with contrasting seams.



Sporty: Gear lever knob in perforated black leather.



More than sportiness.

S line – redefining sportiness.

With the S line exterior package and the S line sports package you can accentuate the dynamic appearance of the A3 Sportback. The attractive cloth/leather combination sports seats and an extravagant sports leather steering wheel with contrasting seams take care of this.

The A3 Sportback displays its athletic side on the outside with sporty bumpers and a striking roof edge spoiler. Transform your A3 Sportback and make it newer, sportier and even more intriguing.



S line sports package (for Ambition only)

Cast aluminium wheels in 9-spoke styling, size 7.5 J x 17 with 225/45 R 17 tyres;

optional:

5-spoke styling; also optionally available in **14-spoke, 20-spoke, 5-arm or 7-double-spoke styling**, size 7.5 J x 18 with 225/40 R 18 tyres

S line sports suspension from quattro GmbH, with more dynamic chassis tuning, lowered by 10 mm (compared with Ambition)

S line logos in radiator grille and on the side protection strips towards the rear (on the left and right-hand sides)

Paints in all standard colours, additional special colour options of Misano Red pearl effect and Avus Silver pearl effect

Sill trims with S line logo

Interior, dashboard and headlining in black

S line inlays in matt brushed aluminium;

optional:

Piano finish Black

Sports seats for both front seats: seat covers with seat side bolsters in black leather and seat centre panels in Speed cloth, plus S line logo imprinted on front seat backrests;

optional:

Vienna leather trim in black with S line logo embossing

S line sports leather steering wheel, 3-spoke design, in black leather with contrasting coloured stitch detail and S line logo;

optional:

Multifunction sports leather steering wheel, 3-spoke design, in black perforated leather with contrasting coloured stitch detail and S line logo

Multifunction sports leather steering wheel, 3-spoke design with gearshift paddle switches (behind the steering wheel), in black leather with contrasting coloured stitch detail and S line logo

Gear lever knob in black perforated leather;

optional:

Gear lever knob in aluminium (for manual transmissions)

Handbrake grip in black leather

Make-up mirrors, illuminated

S line exterior package

Bumpers at front and rear with striking sporty styling

S line radiator grille

S line logo in radiator grille and on the side protection strips towards the rear (on the right and left-hand sides)












Sill trims with S line logo

S line roof edge spoiler

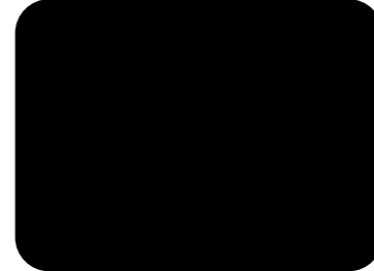







Foglights (standard on the Ambition)

Twin exhaust tailpipes (also on the A3 1.6T)

Sport seats

				
● Vienna leather, Black MB	● Vienna leather, Ink Blue/Deep Blue MS	● Fine Nappa leather, Black MB	● Alcantara/Leather, Black MB	● Audi exclusive leather trim. From quattro GmbH
				
● Vienna leather, Graphite Black/Black MU	● Vienna leather, Beige NG	● Fine Nappa leather, Light Grey MD	● Alcantara/Leather, Light Grey MD	
				
● Vienna leather, Pebble Grey/Light Grey MT	● Fine Nappa leather, Red LZ			

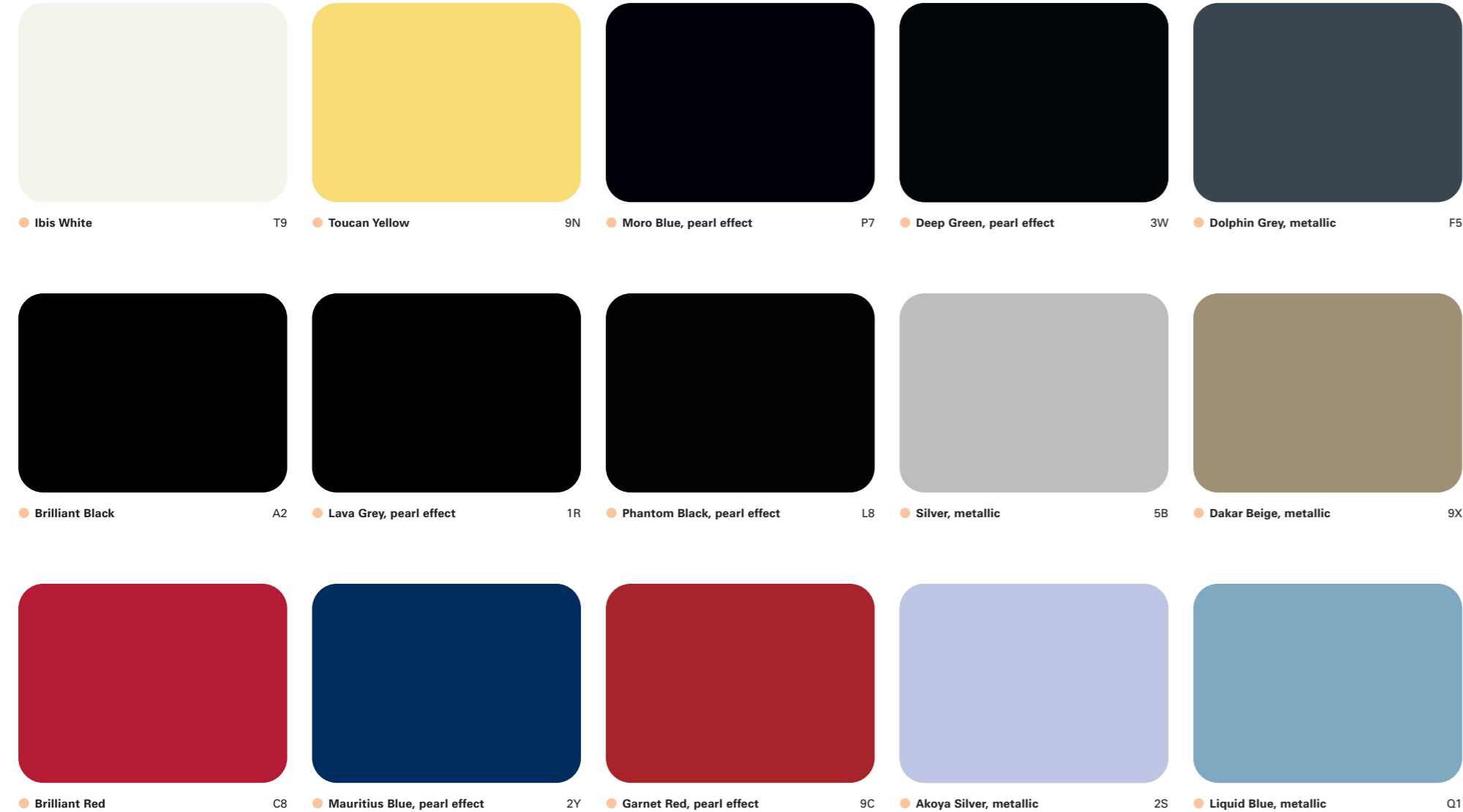
Inlays

			
● Inlays Matt Black ^{1,4} 5MJ	● Inlays Matt Deep Blue ^{1,4} 5MJ	● Inlays Medial Aluminium finish, Silver 5TD	● Audi exclusive inlays. From quattro GmbH
			
● Inlays Highly polished, Black ^{2,4} 5MA	● Inlays Highly polished, Deep Blue ^{2,4} 5MA	● Inlays Walnut Brown 5MG	
			
		● Inlays Vavona wood Bernstein ³ 5ME	

Notes

- ¹ Standard exclusively on the Attraction.
- ² Standard on the Ambition, Option exclusively for the Attraction.
- ³ Standard exclusively on the Ambiente.
- ⁴ Depends on chosen interior trim.

Paint colours





● Cast aluminium wheels in 5-arm parabola styling, size 7.5 J x 17 with 225/45 R 17 tyres



● Cast aluminium winter wheels in 5-arm styling, size 6 J x 17 with 205/50 R 17 tyres, alternatively size 7.5 J x 17 with 225/45 R 17 tyres



● tire mobility system with 12 volt compressor and tyre sealant, stowed under the load floor cover in the luggage compartment; optional space-saving spare wheel



● Cast aluminium winter wheels in 9-arm styling, size 6.5 J x 16 with 205/55 R 16 tyres



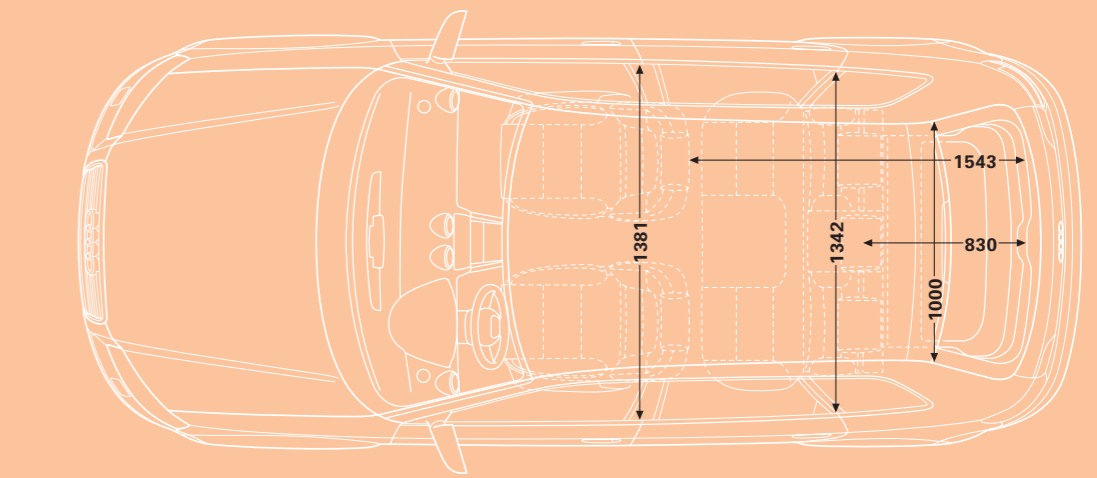
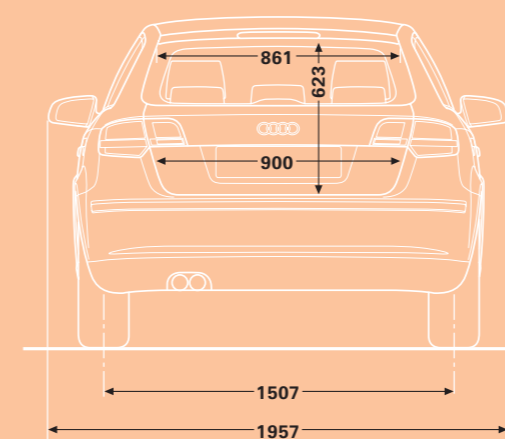
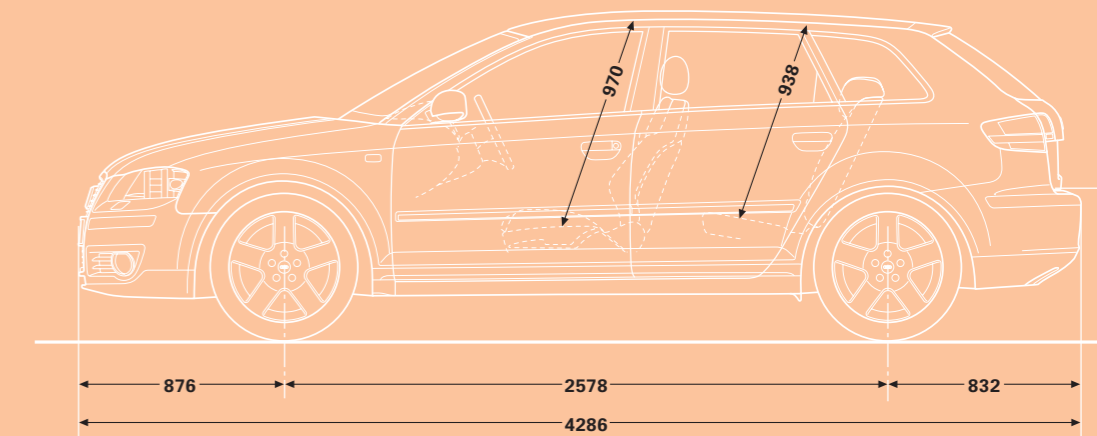
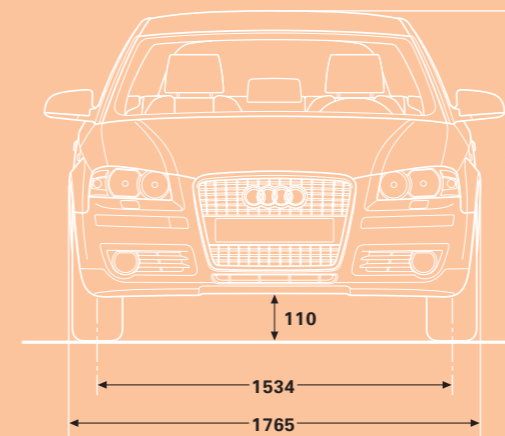
● Steel wheels including full-width wheel cover, size 6.5 J x 16 with 205/55 R 16 tyres (exclusively for the Attraction)



● Anti-theft wheel bolts, can only be loosened with the supplied adapter

● Steel winter wheels including full-width wheel cover, size 6 J x 16 with 205/55 R 16 tyres

Audi A3 Sportback



Dimensions in millimetres.

Vehicle measured at unladen weight, ground clearance measured at maximum load.

Luggage compartment capacity in l: Front-wheel drive 370/1100; quattro® permanent all-wheel drive 302/1032 (measured in accordance with the VDA method using 200 x 100 x 50 mm blocks; second value: with rear seat backrest folded down and vehicle loaded up to roof height).

Turning circle approx. 10.7 m.