

  
HYUNDAI | NEW THINKING.  
NEW POSSIBILITIES.

iLoad van



# HYUNDAI NEW THINKING. NEW POSSIBILITIES.

At Hyundai, we understand that life is about continual change. Our progress as a company isn't measured by our actions in the past but by how we respond to our environment and listen to our customers.

Our focus today is on producing cars that embody quality, variety, innovation and individuality – cars that are underpinned by 5-Star quality in design, build, features, accessories and safety. And as a testament to our worldwide commitment to quality, Hyundai is now one of the world's fastest growing automotive brands.

Our aim is to challenge and question the way things are done to create bigger new ideas and better quality solutions to enrich our customers' life experiences. Only by re-imagining what tomorrow's world will bring, can we meet our customers' needs now and into the future. We invite you to join us on our journey.

## A NEW BENCHMARK IN SERVICE AND SUPPORT

Your iLoad ownership is supported by all the benefits of the Hyundai iCare program, which demonstrates our commitment to back every vehicle we build and to make Hyundai ownership an enjoyable, worry-free experience.

iCare includes:

- The peace-of-mind of a 5 year unlimited kilometre warranty\*
- Hyundai iCare Lifetime Service Plan,# to protect your car with genuine servicing
- The confidence of Hyundai Roadside Support Plan for up to 10 years^
- The convenience and exclusive benefits of myHyundai
- The support of our Customer Care Centre. Feel free to call 1800 186 306
- The assurance of a complimentary 1,500km vehicle inspection
- The satisfaction of having your vehicle serviced by qualified Hyundai factory-trained technicians using only Hyundai Genuine Parts

Find out more about all Hyundai iCare plans and offers, including terms and conditions, by visiting [www.hyundai.com.au/icareterms](http://www.hyundai.com.au/icareterms)



Hyundai iLoad van shown in Creamy White



The Hyundai iLoad van and crew van set a new benchmark in commercial flexibility, passenger & cargo functionality, performance and reliability. The Hyundai iLoad...a special delivery from Hyundai.

### iCare Terms

**\*5 year/unlimited km warranty:** Applies to new passenger vehicles used for private/domestic purposes. Excludes vehicles used at any time for "commercial application" as defined in the vehicle warranty policy, for which a 5 year/130,000km (whichever occurs first) warranty applies. Refer to full warranty terms & conditions for details and exclusions. **#Lifetime Service Plan:** For the benefit of Hyundai owners, Hyundai provides online quotes, which specify the maximum price applicable for a vehicle's next scheduled maintenance service at a participating authorised Hyundai dealer and using genuine Hyundai parts (where required). Online quotes are available at [www.hyundai.com.au](http://www.hyundai.com.au), apply for a stated effective period only and may change after that effective period without notice. Standard scheduled maintenance services are of limited scope. The benefit of online quotes is available for all Hyundai's, for their lifetime. **^Roadside Support Plan:** Complimentary 12 months Roadside Support when you purchase a new Hyundai passenger vehicle (excluding rental buyers). Further Roadside Support extensions are available, each for 12 months from the date of a scheduled maintenance service at a participating authorised Hyundai dealer (unless vehicle is more than 108 months (9 years) from the original new car sale date, in which case entitlement to Roadside Support ends when vehicle reaches 120 months (10 years) from original new car sale date). **Terms, conditions & exclusions apply to Lifetime Service Plan, Warranty and iCare offers. Visit [www.hyundai.com.au/icareterms](http://www.hyundai.com.au/icareterms) for full details.**

# Hyundai iLoad van

## A tough new contender

With a choice of the 3-seater van or 6-seater crew van with cargo compartment, Hyundai has created a highly-functional commercial vehicle that's as versatile and accommodating as it is robust and reliable.

The Hyundai iLoad combines effortless practicality and precision engineering with advanced safety technology and enviable fuel economy in a mobile workplace that won't let you down. You can also select from a range of Hyundai Genuine Accessories to customise your Hyundai iLoad.

Load up your business...with the Hyundai iLoad

<sup>01</sup> Versatility

<sup>02</sup> Space

<sup>04</sup> Safety

<sup>06</sup> Comfort

<sup>08</sup> Power

<sup>10</sup> Accessories  
& Features

01

<sup>12</sup> Colours  
& Finish

<sup>13</sup> Specifications



When size matters...  
Hyundai iLoad  
van delivers  
the goods.

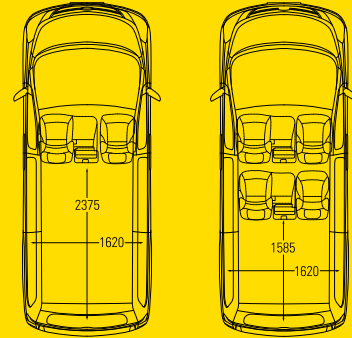


## Room to Move

For operators requiring maximum carrying capacity, the 3 seater Hyundai iLoad van boasts plenty of usable cargo space (2.37m long, 1.62m wide and 1.35m high) large enough for two pallets, with a practical vinyl-covered flat floor.

Van functionality includes two sliding side doors as standard plus rear lift gate or optional twin swing doors (Diesel only) for easy access, along with a collapsible centre seat that converts to additional storage when not needed for a third passenger.

For those wanting even more passenger space, Hyundai iLoad crew van provides seating for up to six people whilst retaining a generous cargo compartment with plenty of room for a pallet or delivery items.



van

crew van

# Space



# Big on Safety

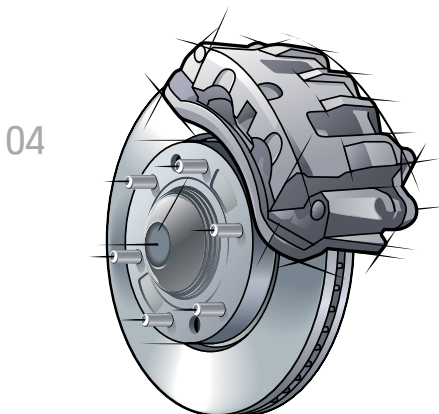
From the robust chassis and superior braking to the dual airbag system and seatbelt pretensioners, Hyundai iLoad's active and passive safety features further demonstrate Hyundai's commitment to driver, passenger and cargo protection at all times.

- 4-Star ANCAP safety rating
- 4 channel Anti-skid Braking System (ABS) with Electronic Brakeforce Distribution (EBD) and 4 disc brakes (ventilated)
- Electronic Stability Control (ESC) and Traction Control System (TCS) with CRDi models
- Dual front airbags and height-adjustable front seatbelts with pretensioner
- Keyless entry + immobiliser + security alarm + central locking
- Semi-bonnet design
- Four-ring strengthened body with rigid cabin
- Impact absorbing crush zones front and rear

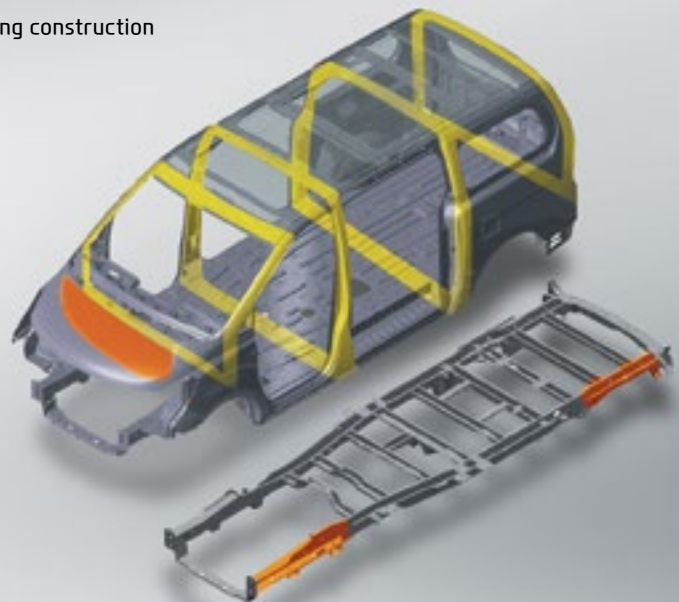


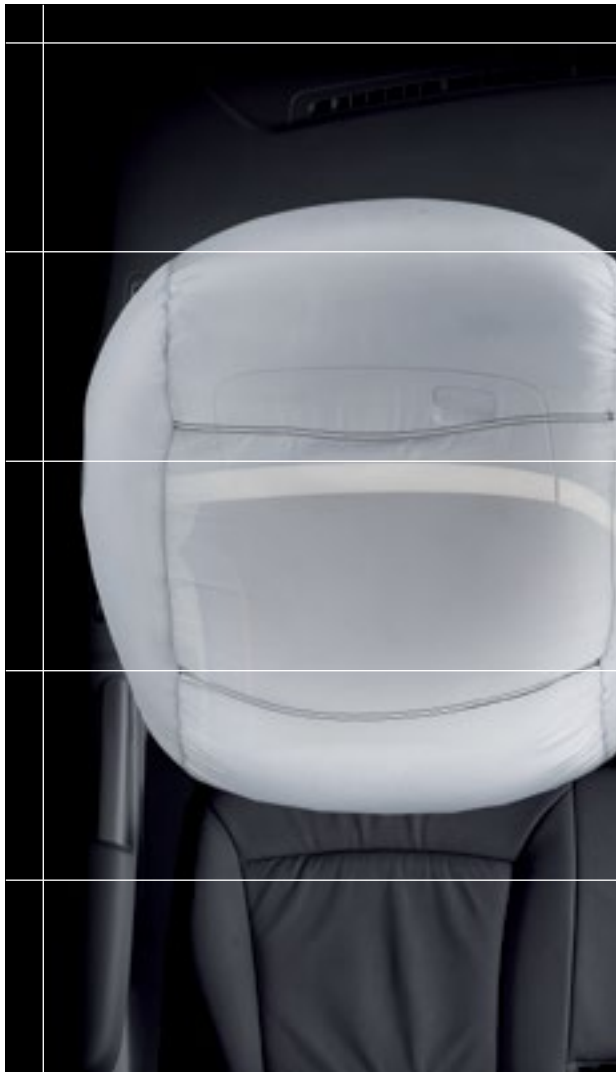
## Protecting lives and your livelihood

Disc brakes (ventilated)



4 ring construction





Shown with optional twin swing doors - 180° access

# Cabin Comfort

Complementing the Hyundai iLoad's car-like steering and handling is a spacious, ergonomic and comfortable cabin where all controls are within easy reach. Driver and passenger comforts include air conditioning, power steering, power windows and mirrors, cup holder, tachometer and a quality audio system with Bluetooth,<sup>#</sup> iPod,<sup>^</sup> and MP3 player connectivity.

The tilt steering column and front console-mounted gearshift further emphasise the modern, functional layout and provide easier movement between driver and front passengers, and the high seating position, oversized windscreen and large door mirrors deliver optimum visibility. For cabin security, the van is equipped with keyless entry and an alarm with central locking. The driver's seat is height adjustable, the steering wheel can be tilted and there are even easy to reach grab handles to make entering and exiting a breeze.



06



Bluetooth<sup>®</sup> is a registered trademark of Bluetooth SIG, Inc. <sup>#</sup>Please check your Bluetooth<sup>®</sup> device's capabilities to ensure compatibility. iPod<sup>®</sup> is a registered trademark of Apple Inc., registered in the US and other countries. <sup>^</sup>iPod<sup>®</sup> and connection lead not included.







# Power

### 2.5 CRDi Diesel\*

- Power = 100kW (manual), 125kW (auto)
- Torque = 343Nm (manual), 441Nm (auto)
- Fuel = 8 litres\* (manual) per 100km  
8.8 litres\* (auto) per 100km
- Variable Geometry Turbo (VGT) for immediate throttle response and economy, and Common Rail Direct Injection (CRDi) Diesel fuel delivery system

#### Towing Capacity:

Diesel manual - 2000 kg (braked)  
- 750 kg (unbraked)

Diesel auto - 1500 kg (braked)  
- 750 kg (unbraked)

\*Australian Design Rule 81/02 static laboratory combined average city & highway cycle test. Fuel consumption will vary depending on a combination of driving habits and the condition of the vehicle. \* From February 2012 production.

### 2.4 CVVT petrol

- Power = 129kW
- Torque = 228Nm
- Fuel = 10.1 litres\* (manual) per 100km
- Continuously Variable Valve Timing (CVVT) synchronises power with economy

#### Towing Capacity:

Petrol manual - 1500 kg (braked)  
- 750 kg (unbraked)

# Packaged to Perform

Engineered to handle the heaviest of loads, the Hyundai iLoad van tackles the most arduous of conditions with ease.

Macpherson Strut front suspension and leaf spring rear suspension is positioned for optimal load-bearing, the 4-channel Anti-skid Braking System (ABS) acts on ventilated front and rear discs with a 10" booster for exceptional stopping power; and the optional Electronic Stability Control (ESC)\* with Traction Control System (TCS)\* work together to monitor engine response and help control wheel slippage in hazardous braking circumstances.

The 2.4 petrol or high output 2.5 Diesel engines deliver outstanding power and torque, while advanced technology ensures enviable economy and dependability. A gutsy 6-speed manual transmission is applied as standard, with 5-speed automatic or 6-speed manual transmission also available in Diesel model.



2.5 CRDi turbo Diesel

2.4 CVVT petrol

\*Diesel model only

# Hyundai Genuine Accessories

Hyundai Genuine Accessories can enhance your driving pleasure and ownership pride by adding extra ease and enjoyment to your lifestyle pursuits.

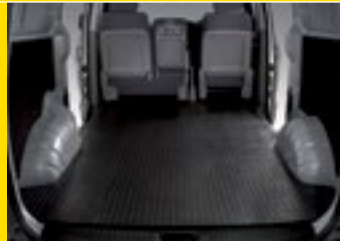
All Hyundai Genuine Accessories are backed by a 5 year warranty if purchased at the time of a new Hyundai vehicle and fitted by an authorised Hyundai dealer.\*



Cargo Barrier



Tailored Rubber Floor Mats



Rubber Cargo Mat



Sliding Door Windows



16" Alloy Wheels (sold singularly – tyres not included)



Tinted Stylevisors



Towbar & Towball and Trailer Wiring Harness<sup>1</sup>



Rear Step with Corner Protectors



Rear Park Assist<sup>2</sup>



Courier's Wooden Floor



Technician Step with Grab Handles



Full Technician Kit<sup>3</sup>



Seat Covers (sold singularly)



Headlight Protectors



Dash Mat



Grab Handles

Images used for illustrative purposes only. 1. Maximum ball download 150kg. Towbar (1500kg braked & 750kg unbraked – petrol and CRDI automatic) or (2000kg braked & 750kg unbraked – CRDI manual). Towbar capacity subject to regulatory requirements, towbar design, vehicle design and towing equipment limitations. 2. Park assist is designed as driver assist function only and should not be used as a substitute for skilled driving and safe parking practices. While the park assist sensors monitor objects on approach, there may be occasions where blind spots affect the sensitivity of the sensors and as a result the area into which the vehicle is heading must be visually monitored by the driver at all times while parking. 3. Load capacity = 125kg evenly distributed across 3 bars with secure lock function.

\*All Hyundai Genuine Accessories are subject to warranty conditions. See your nearest Hyundai Dealer or visit our website at [www.hyundai.com.au](http://www.hyundai.com.au) for full warranty terms and usage recommendations. Accessories pictured are all sold separately at an additional cost.



Genuine Accessories



The iLoad featured above is accessorised with a Full Technician Kit<sup>3</sup>, Commercial Roof Racks (3 bar set)<sup>3</sup>, Headlight Protectors (set of 2), Tinted Stylevisors (set of 2), Towbar, Towball & Trailer Wiring Harness<sup>1</sup>, Technician Step, 16" Alloy Wheels (sold singularly), Sliding Door Windows and Alloy Nudge Bar. All sold separately at additional cost. Images used for illustrative purposes only.

## Hyundai iLoad Colours & Finish

### Exterior Colour

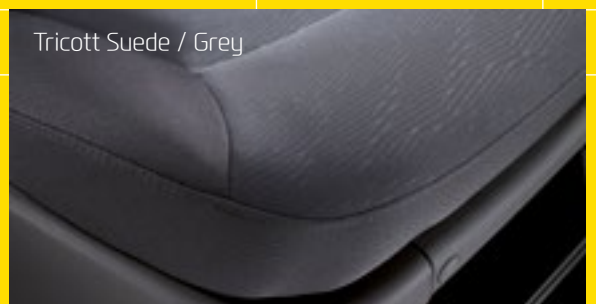
Creamy White  
(YAC) - Solid

Timeless Black  
(RB5) - Mica

Hyper Metallic  
(P2S) - Metallic

### Interior Colour

Tricott Suede / Grey



Colours are indicative only and may vary due to the printing process. Metallic and Mica paint are optional extras.

# Hyundai iLoad Features



ESC + TCS option



Ventilated disc brakes with ABS and EBD



Dual airbags



Seatbelt pretensioners and height adjustable seatbelts



Keyless entry with burglar alarm



6 Seat crew van



Tilt steering column  
Steering wheel audio controls



Rear glass demister & rear wiper



Power windows and mirrors



Bluetooth® media streaming and Handsfree<sup>1</sup>



Aux & USB with iPod® connectivity<sup>2</sup>



Cup and bottle holders



Air conditioning



Dual glovebox compartments



Twin front door pockets



Tachometer



Rear wheel drive



Tie down hooks



2.4L petrol (manual)



2.5L CRDi turbo Diesel (manual & auto)



Two sliding doors for easy access



Optional twin swing doors



Vinyl cargo area floor covering



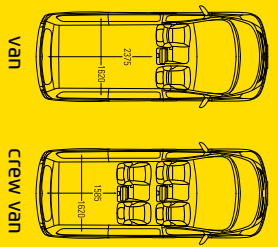
Height adjustable seats



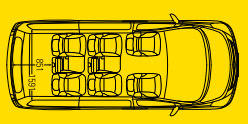


# Hyundai iLoad van

## Hyundai iLoad crew van



# Hyundai iMax shuttle





## Hyundai Genuine Parts

Whenever you buy a Hyundai Genuine Part you can be confident that you're buying the best for your vehicle, and your family. Not only are Hyundai Genuine Parts specifically designed to meet Australian Design Rules, and made to the highest standards, they're also tested to withstand a wide range of extreme conditions and backed by a 12 month 20,000 km warranty\*, so they're:

- Guaranteed to fit
- Guaranteed to perform
- Guaranteed to last



## Hyundai iLoad Confidence

Hyundai builds each and every vehicle using state-of-the-art technology to meet the world's highest quality standards. This is evidenced by the fact that the company now delivers Australia's first 5 year / 160,000km warranty on all new Hyundai iLoad commercial vehicles. It is only because of our belief in the research and development behind every vehicle's design, the exceptional quality of materials and workmanship used in manufacturing, pre-delivery testing and an outstanding dealer network that Hyundai can back its product without any qualms, offering you complete confidence and peace of mind. There's also the additional support of 12 months roadside assistance in case of vehicle immobility such as running out of fuel.



## Hyundai iMax Confidence

Hyundai builds each and every vehicle using state-of-the-art technology to meet the world's highest quality standards. This is evidenced by the fact that the company now offers Australia's First 5 Year Unlimited Kilometre Factory Warranty\* on all new Hyundai iMax vehicles as a standard promise of excellence. It is only because of our belief in the research and development behind every vehicle's design, the exceptional quality of materials and workmanship used in manufacturing, pre-delivery testing and an outstanding dealer network that Hyundai can back its product without any qualms, offering you complete confidence and peace of mind. There's also the additional support of 12 months roadside assistance in case of vehicle immobility such as running out of fuel.



\*Note: The warranty extension to Unlimited Kilometres is only applicable to vehicles used for private and domestic uses and is not applicable to vehicles used for certain high mileage commercial purposes, i.e. Courier, Security and Rental Cars.

## The Right Balance for your Business

If you're serious about:

- Selecting the right vehicle for your business
- Reducing your fleet's whole of life costs
- Reducing your fleet's environmental impact
- Providing a safer environment for your greatest assets, your employees

Make the right business decisions not the same decisions you've always made - consider the Hyundai Fleet Advantage!



Hyundai Motor Company Australia Pty Ltd 394 Lane Cove Road, Macquarie Park, NSW Australia 2113 Hyundai Motor Company (HMC) and the Hyundai Motor Company Australia (HMCA) each reserve the right to alter vehicle specifications and equipment levels without notice. Some equipment featured on the cars in this brochure may not be available in Australia or may be optional. To the extent permitted by the law, neither HMC nor HMCA shall be liable to any person as a result of reliance on the content of this brochure. Please consult your Hyundai dealer for the latest specifications, equipment levels, options, prices, colours and vehicle availability. Metallic and mica paint are optional extras. Note: Information in this brochure is current as at 25/05/2015. HMC/A8743 Part No. T00615B