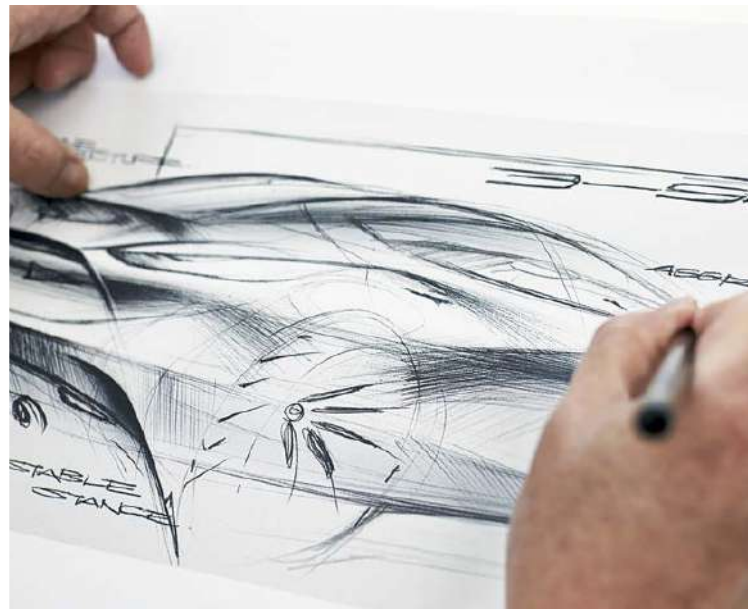


CX-5



ZOOM-ZOOM

IMAGINATION DRIVES US



Imagination is the world's most valuable resource. It's our window to the future, because if we can imagine it, we can create it. Mazda is built on a foundation of imagination and ingenuity. It's the fuel behind all we create and achieve. It has given us SKYACTIV TECHNOLOGY, 'KODO - Soul of Motion' design and countless successes that once existed only in someone's imagination. These pages show how imagination is an integral part of our innovative cars.

CONTENTS

04	INTRODUCTION
06	EXTERIOR
08	INTERIOR
10	PERFORMANCE
14	CONNECTIVITY
16	INTERIOR FEATURES
18	SAFETY
20	i-ACTIVSENSE
22	MODELS
32	SPECIFICATIONS
38	CONFIDENCE
39	COLOUR & TRIM





MAZDA CX-5. IMAGINE BETTER

Mazda CX-5 takes the SUV to a new level of refinement and craftsmanship. A stunning new design, evolved SKYACTIV performance, impressive fuel efficiency plus the latest i-ACTIVSENSE safety all combine to deliver an SUV that's truly a class above.



魂動

KODO : SOUL of MOTION

Akera in Soul Red Crystal Metallic.

RENEWED. REFINED. PERFECTED

Speed and grace. A unique combination that defines the core of Mazda CX-5 design. Mazda's signature 'KODO - Soul of Motion' design philosophy has been evolved to represent a boldness, elegance and maturity that will set the standard for a new generation of SUVs.

Every element has been designed to work in harmony as well as please the eye. The new front grille, rear combination lamps and new alloy design, complement the flowing lines along the CX-5's profile. Together they represent a form and road stance that redefines modern SUV design.





Akera in Pure white leather.*



DESIGNED WITH DETAIL IN MIND

Mazda CX-5 is designed to capture the imagination of everyone on board. Comfort, technology and spaciousness meet quality finishes everywhere you turn.

The elegantly crafted cabin surrounds the driver with carefully positioned controls. The full-colour Active Driving Display means crucial driving information is right there in the driver's line of sight†

From the higher, more angled centre console to the redesigned instrument panel as well as the use of space and storage across front and rear rows, Mazda CX-5 is a triumph of design.

† Driver-assistance features do not replace the driver's judgement and are not to be used in place of skilled and safe driving practices. It is the driver's sole responsibility to monitor vehicle surroundings and conditions and comply with all applicable laws at all times.

Leather interior includes some Maztex material on selected high impact surfaces.



Akera in Soul Red Crystal Metallic.

IMAGINE BETTER PERFORMANCE

Mazda CX-5 represents the latest evolution of Mazda's breakthrough SKYACTIV technologies that have defined a thrilling new generation of Zoom-Zoom performance. Available in three engine types, you'll discover improved responsiveness on acceleration and enhanced fuel efficiency.

The addition of intelligent i-ACTIV AWD monitors and predicts road conditions so Mazda CX-5 can adjust its performance to deliver impressive real-world fuel efficiency and a superior drive every time.

You'll also experience a quieter ride than ever before thanks to a multitude of measures from aerodynamics to construction materials that all contribute to less road, tyre and wind noise.

PUSHING THE BOUNDARIES OF AN SUV

Mazda CX-5 represents breakthrough performance with efficiency that Mazda's SKYACTIV TECHNOLOGY is now famous for. A smooth ride and athletic responses are just the beginning. Both petrol and diesel engines offer plenty of torque using little fuel. Automatic and manual transmissions have been developed to increase responsiveness while all elements of the chassis - from brakes to suspension to steering - have been refined to provide a higher-quality ride that never compromises performance.

Mazda CX-5 now introduces SKYACTIV-VEHICLE DYNAMICS, a series of technologies that integrates control of the engine, transmission, chassis and body to enhance the sense of oneness between car and driver that we call Jinba Ittai.

All of this adds up to an exceptional ride that feels like it's been crafted just for you.

* Fuel consumption figures are based on ADR 81/02 test results. They are useful in comparing the fuel consumption of different vehicles. They may not be the fuel consumption achieved in practice. This will depend on traffic, road conditions and how the vehicle is driven.



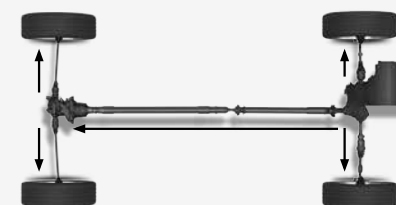
SKYACTIV-G 2.0 & 2.5 L PETROL ENGINE

The SKYACTIV-G engines deliver impressive fuel economy along with powerful torque at low-to mid-range speeds. This combines with linear acceleration response and an exhilaratingly powerful feel, allowing you to enjoy a quality ride in all situations. The 2.0L delivers a sporty 115kW of power and 200Nm of torque while the muscular 2.5L engine punches out 140kW and 252Nm. Newly introduced on the 2.5L engine, Cylinder Deactivation (CDA) shuts down cylinders 1 and 4 at low rpm, which saves fuel without sacrificing driving performance.



SKYACTIV-D 2.2L DIESEL ENGINE

The clean-running SKYACTIV-D 2.2L engine offers outstanding torque and exhilarating performance delivered right up to high engine speeds. The twin-turbo engine now features Variable Geometry (VG) on the larger turbo, which allows it to spin faster at medium engine speeds and increases flow to the engine at higher speed, resulting in an additional 11kW of power and 30Nm of torque versus the previous version.



i-ACTIV AWD INTELLIGENT ALL-WHEEL DRIVE SYSTEM

Mazda's i-ACTIV AWD is a predictive, on-demand AWD system that anticipates front tyre slip and applies just enough torque to the rear wheels to prevent slipping from occurring. It does this via 27 sensors, which constantly monitor the road surface, outside conditions, driver operation and vehicle condition. Analysing this information 200 times per second, the system helps ensure a stress-free drive in a wide range of conditions.



SKYACTIV-MT MANUAL & SKYACTIV-DRIVE AUTOMATIC TRANSMISSION

The 6-speed manual transmission delivers precise, sports-car style shifting as well as enhanced operability. The 6-speed automatic transmission combines the best attributes of conventional automatic, continuously variable and dual clutch transmissions while a new gear shift control predicts operating intentions.



SKYACTIV-BODY

Mazda's SKYACTIV-BODY simultaneously achieves high levels of usually conflicting attributes such as collision safety, light weight and rigidity. The latest Computer Aided Engineering (CAE) analysis was used for efficient reinforcements, and ultra-high tensile steel has been adopted for lightness and strength meaning rigidity is increased by approximately 15.5%, reducing response delay of the body to steering operations.



SKYACTIV-CHASSIS

Every component has been designed to create an unrivalled sense of oneness between car and driver. The steering system's structure has been optimised to achieve both excellent vibration insulation and high rigidity. The suspension has been revised, millimetre by millimetre, to achieve a gentler and higher-quality ride. This improved suspension means the braking system has also evolved to achieve shorter braking distances with outstanding performance.



Akera in Pure white leather.*

ALWAYS INFORMED. ENDLESSLY ENTERTAINED

Mazda CX-5 represents the latest in connectivity and infotainment. Four USB ports are distributed throughout the cabin to accommodate all of your devices. Up front, MZD Connect allows you to safely access your compatible smartphone's contacts, social media and music[§]

Sat Nav guides you from a large, upright touchscreen controlled by a central dial (on Maxx Sport and above).

The exceptional 10-speaker Bose® system is integrated seamlessly throughout the interior (available on GT and above). Listen to music, radio and podcasts from a wide range of sources.

[§] Please check the compatibility of your Bluetooth® device (particularly your mobile phone) with the specific Mazda vehicle you intend to purchase, as not all devices operate correctly. Visit www.mazda.com.au/Bluetooth or consult your Mazda Dealer for further information.

14 # Leather interior includes some Maztex material on selected high impact surfaces.





Akera in Pure white leather.*



A BETTER RIDE IN EVERY SEAT

Mazda CX-5 is packed full of refinements throughout the cabin to improve the comfort and enjoyment of driver and passengers alike. Every control, panel and trim has been carefully crafted to enhance ambience. Quality materials are evident across the entire cabin, including the seats, which offer a greater level of support and comfort. Second row passengers will enjoy the reclining function, which can adapt to their optimum seating position.

The addition of air-vents in the second row means everyone on board will ride comfortably. Storage space has been carefully considered too. Nine separate storage compartments mean there is always room to bring more along, while the luggage compartment has increased capacity to fit more in than ever before. A power liftgate across higher-grade models has also been added for convenience. (Air-vents are available on Maxx Sport and above.)

* Leather interior includes some Maztex material on selected high impact surfaces.

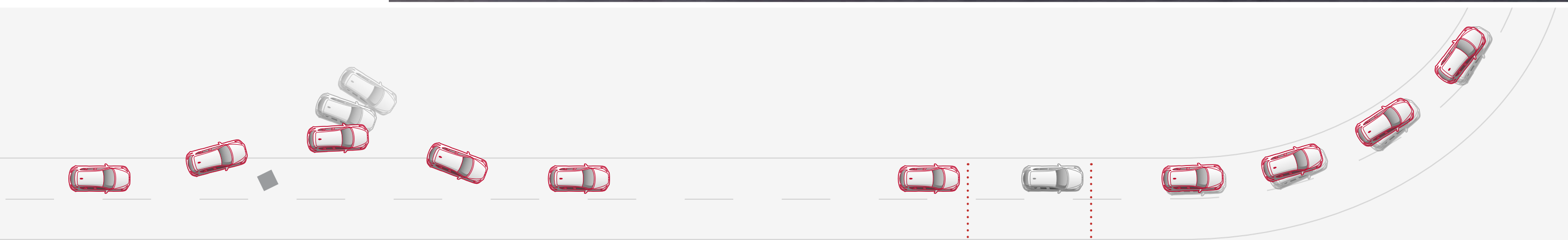
SAFETY THAT'S READY FOR THE UNEXPECTED

A priority of every Mazda CX-5 is to maximise the safety of every passenger on board. Built with a rigid body cell, every grade comes equipped with SRS airbags and technology such as rear parking sensors, Dynamic Stability Control (DSC), Traction Control System (TCS), Emergency Brake Assist (EBA) and Electronic Brake-force Distribution (EBD) as standard†. You'll also appreciate the Auto Door Lock and Electric Park Brake with Auto-Hold, again available on every grade. Hill Launch Assist (HLA) adds even more confidence, helping you take off quickly and simply when stopped on an incline†.

† i-ACTIVSENSE and other safety technologies are driver assist technologies only and should not be used in place of skilled and safe driving practices. It is the driver's sole responsibility to monitor vehicle surroundings and conditions and comply with all applicable laws at all times.



Akera in Soul Red Crystal Metallic.



BE PREPARED FOR WHAT'S AROUND THE CORNER

Unexpected hazards are a part of life. Thankfully DSC acts instantly, braking the inner rear wheel to offset understeer (or outer front wheel to combat oversteer). The Traction Control System (TCS) also reduces torque to the driven wheels to minimise skidding. The hazard can be steered around, as control is maintained.

STOP WITH CONFIDENCE

Stopping distance with EBA, ABS and EBD.

Stopping distance with no assistance.

ENJOY THE RIDE

By finely controlling engine torque based on the steering and accelerator inputs of the driver, G-Vectoring Control (GVC) improves both handling for the driver and ride quality for the passengers around corners.

i-ACTIVSENSE PEACE OF MIND THAT STAYS WITH YOU

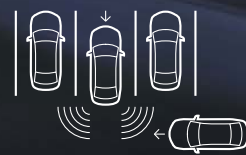
Mazda CX-5 comes equipped with many of Mazda's i-ACTIVSENSE advanced safety technologies as standard. These technologies help assist the driver to avoid potential hazards, or help minimise damage as a result of unavoidable impact! Mazda CX-5 introduces Mazda Radar Cruise Control (MRCC) with Stop & Go function, which reduces the stress of negotiating heavy stop-start traffic. It also features Traffic Sign Recognition (TSR), keeping you even more informed about speed limits and road conditions! Safety features are dependent on grade.

† i-ACTIVSENSE and other safety technologies are driver assist technologies only and should not be used in place of skilled and safe driving practices. It is the driver's sole responsibility to monitor vehicle surroundings and conditions and comply with all applicable laws at all times.



BLIND SPOT MONITORING (BSM)

By scanning external mirrors' blind spots, radars detect any unseen vehicles to alert the driver of hazardous lane changes. An LED icon on the relevant mirror is accompanied by beeping alerts.



REAR CROSS TRAFFIC ALERT (RCTA)

RCTA assists when you're reversing from a parking space, by warning if a car is approaching from either side of your vehicle. The LED icon on both mirrors is accompanied by a beeping alert.



SMART CITY BRAKE SUPPORT WITH PEDESTRIAN RECOGNITION (SCBS)

At forward speeds of 4-80km/h (and reverse speeds of 2-8km/h) SCBS monitors the vehicle or pedestrian in front to assess the likelihood of a collision. If a high risk is detected it issues visible and audio warnings and primes the brakes for a faster response. If the driver doesn't brake, SCBS brakes automatically.



MAZDA RADAR CRUISE CONTROL (MRCC) WITH STOP & GO FUNCTION

MRCC automatically adjusts vehicle speed to maintain a safe distance from the car ahead. It's able to bring the car to a complete stop in traffic and take off again once the traffic moves (if the stop is less than 3 seconds). If a complete stop exceeds three seconds, the car waits for the other driver to initiate acceleration.



ADAPTIVE LED HEADLAMPS (ALH)

Individual control of several LEDs allows precise adjustment of the lighting pattern. The system automatically broadens visibility at low speeds, shapes the high beam to help avoid dazzling other drivers and raises beam height at highway speeds to extend vision area.



TRAFFIC SIGN RECOGNITION (TSR)

TSR detects a number of road signs which are in turn displayed on the vehicle's Active Driving Display. The types of signs that could be displayed to warn you include speed limit signs, "do not enter" signs and stop signs.



LANE DEPARTURE WARNING (LDW) WITH LANE-KEEP ASSIST SYSTEM (LAS)

LDW uses a windscreen-mounted camera to monitor road lane markings, sounding an audible warning if you're about to stray from your lane. LAS will act if it determines the vehicle will leave its lane by applying a degree of corrective steering.



FORWARD OBSTRUCTION WARNING (FOW) WITH SMART BRAKE SUPPORT (SBS)

Operating at 15-145km/h, FOW monitors the distance to the vehicle in front and its speed. If it senses a collision is likely, audible and visual alerts prompt you to take evasive action. If SBS senses a high risk of impact it primes the brakes for faster response. If no evasive action is taken, it brakes for you.



Maxx in Sonic Silver Metallic.

MAXX FEATURES

- » 17-inch steel wheels with 225/65 tyres
- » Headlamps (LED)
- » Power mirrors (body coloured with electric folding)
- » Front seats with: height adjustment and seat-back pockets
- » Rear seats with: reclining function and 40/20/40 split-fold backrest
- » Seat trim: Black cloth
- » 7-inch full-colour touch screen display (MZD Connect)
- » Audio system with: AM/FM tuner, Digital radio (DAB+) and 6 speakers
- » Bluetooth® hands-free phone and audio capability[§]
- » Internet radio integration (Stitcher™ and Aha™)
- » Multi-function commander control
- » Advanced keyless push button engine start
- » Blind Spot Monitoring (BSM)
- » Parking sensors (rear)
- » Rear Cross Traffic Alert (RCTA)
- » Reverse camera
- » Smart City Brake Support [Forward/Reverse] (SCBS F/R)

POWERTRAIN

SKYACTIV-G

- » 2.0 litre in-line 4 cylinder 16 valve DOHC S-VT petrol engine with i-stop
- » Drivetrain: FWD
- » Fuel consumption (combined): 6.9L/100km*
- » Max power: 115kW @ 6,000rpm
- » Max torque: 200Nm @ 4,000rpm
- » Transmission: 6-speed manual (SKYACTIV-MT) or 6-speed auto (SKYACTIV-Drive)

SKYACTIV-G

- » 2.5 litre in-line 4 cylinder 16 valve DOHC S-VT petrol engine with i-stop
- » Drivetrain: i-ACTIV AWD
- » Fuel consumption (combined): 7.4L/100km*
- » Max power: 140kW @ 6,000rpm
- » Max torque: 252Nm @ 4,000rpm
- » Transmission: 6-speed auto (SKYACTIV-Drive)

[§] Please check the compatibility of your Bluetooth® device (particularly your mobile phone) with the specific Mazda vehicle you intend to purchase, as not all devices operate correctly. Visit www.mazda.com.au/Bluetooth or consult your Mazda Dealer for further information.

* Fuel consumption figures are based on ADR 81/02 test results. They are useful in comparing the fuel consumption of different vehicles. They may not be the fuel consumption achieved in practice. This will depend on traffic, road conditions and how the vehicle is driven.



ADVANCED INFOTAINMENT

Just hook up your smartphone to access a wide range of content through MZD Connect. Enjoy music, Bluetooth and more[§]



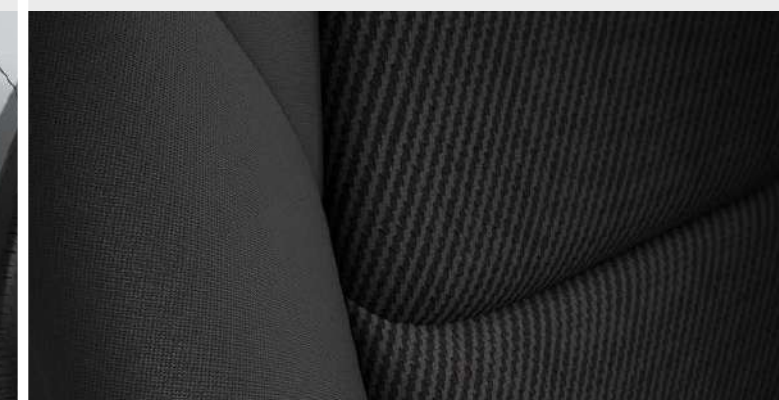
LIGHT THE WAY

The sleek new LED Headlamps look great and help improve visibility when you're out and about.



KNOW WHAT'S BEHIND

Park your Mazda CX-5 with confidence thanks to rear parking sensors and a camera providing audio and visual guidance.



A QUALITY TOUCH

High-quality cloth adds to the comfort now offered by the new seat ergonomics and design.

CX-5
MAXX SPORT



Maxx Sport in Eternal Blue Mica.

MAXX SPORT FEATURES

ADDITIONAL TO MAXX

- » 17-inch alloy wheels
- » Front fog-lamps (LED)
- » Headlamps auto on/off
- » Wipers (front) 2-speed with rain-sensing function
- » Air-conditioning (dual-zone climate control)
- » Rear-view mirror with auto-dimming function
- » Rear seats: with centre armrest storage and USB charging ports
- » Satellite navigation

POWERTRAIN

SKYACTIV-G

- » 2.0 litre in-line 4 cylinder 16 valve DOHC S-VT petrol engine with i-stop
- » Drivetrain: FWD
- » Fuel consumption (combined): 6.9L/100km*
- » Max power: 115kW @ 6,000rpm
- » Max torque: 200Nm @ 4,000rpm
- » Transmission: 6-speed auto (SKYACTIV-Drive)

SKYACTIV-G

- » 2.5 litre in-line 4 cylinder 16 valve DOHC S-VT petrol engine with i-stop
- » Drivetrain: i-ACTIV AWD
- » Fuel consumption (combined): 7.4L/100km*
- » Max power: 140kW @ 6,000rpm
- » Max torque: 252Nm @ 4,000rpm
- » Transmission: 6-speed auto (SKYACTIV-Drive)

SKYACTIV-D

- » 2.2 litre in-line 4 cylinder 16 valve DOHC intercooled turbo diesel engine with i-stop
- » Drivetrain: i-ACTIV AWD
- » Fuel consumption (combined): 5.7L/100km*
- » Max power: 140kW @ 4,500rpm
- » Max torque: 450Nm @ 2,000rpm
- » Transmission: 6-speed auto (SKYACTIV-Drive)



SPORTY STYLE

The 17-inch alloy wheels are designed to maximise handling while looking great on the road.



GET THERE EVERY TIME

Enjoy Satellite Navigation that's clear and easy to use with the 7-inch colour screen. Features spoken street names and advanced lane guidance.



GET COMFORTABLE

Dual-zone climate control offers both driver and passenger just the right temperature - even if it's not the same.



LET IT DO THE WORK

Auto wipers and headlamps mean when sudden changes of road conditions happen, you'll be prepared in an instant.

* Fuel consumption figures are based on ADR 81/02 test results. They are useful in comparing the fuel consumption of different vehicles. They may not be the fuel consumption achieved in practice. This will depend on traffic, road conditions and how the vehicle is driven.

CX-5 TOURING



Touring in Snowflake White Pearl Mica.

TOURING FEATURES

ADDITIONAL TO MAXX SPORT

- » Power mirrors (body coloured with heating and auto-folding function)
- » Active Driving Display (windscreen)
- » Seat trim: Black Maztex/black suede
- » Advanced keyless entry
- » Parking sensors (front)
- » Traffic Sign Recognition (TSR)[†]

POWERTRAIN

SKYACTIV-G

- » 2.5 litre in-line 4 cylinder 16 valve DOHC S-VT petrol engine with i-stop
- » Drivetrain: i-ACTIV AWD
- » Fuel consumption (combined): 7.4L/100km*
- » Max power: 140kW @ 6,000rpm
- » Max torque: 252Nm @ 4,000rpm
- » Transmission: 6-speed auto (SKYACTIV-Drive)

SKYACTIV-D

- » 2.2 litre in-line 4 cylinder 16 valve DOHC intercooled turbo diesel engine with i-stop
- » Drivetrain: i-ACTIV AWD
- » Fuel consumption (combined): 5.7L/100km*
- » Max power: 140kW @ 4,500rpm
- » Max torque: 450Nm @ 2,000rpm
- » Transmission: 6-speed auto (SKYACTIV-Drive)

[†] Driver-assistance features do not replace the driver's judgement and are not to be used in place of skilled and safe driving practices. It is the driver's sole responsibility to monitor vehicle surroundings and conditions and comply with all applicable laws at all times.

* Fuel consumption figures are based on ADR 81/02 test results. They are useful in comparing the fuel consumption of different vehicles. They may not be the fuel consumption achieved in practice. This will depend on traffic, road conditions and how the vehicle is driven.



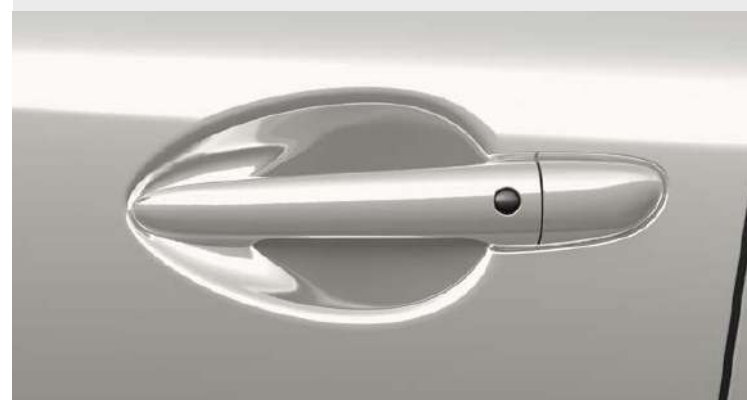
EYES ON THE ROAD

The full-colour Active Driving Display projects key information onto your windscreen so it's directly in your line of sight. Includes new Traffic Sign Recognition to keep you on track!



A LITTLE LUXURY

A premium suede finish is complemented by Maztex for a soft, more luxurious feel.



GET SMART

Smart keyless entry means you can have your hands full and still gain entry to your pride and joy.



GET AHEAD IN SAFETY

Front parking sensors means you'll always know what's ahead. Perfect for getting in and out of tight spaces.

CX-5

GT



GT in Machine Grey Metallic.

GT FEATURES

ADDITIONAL TO TOURING

- » 19-inch alloy wheels with 225/55 tyres
- » Adaptive Front-lighting System (AFS)[†]
- » Power-sliding and tilt-glass sunroof
- » Remote-operated power tailgate (open/close)
- » Front seats with 2-position memory function (driver), 6-way power adjustment (passenger), 10-way power adjustment (driver) and heating function

- » Seat trim: Black leather or Pure white leather[#]
- » Premium Bose[®] 249-watt amplifier and 10 speakers (including subwoofer)

POWERTRAIN

SKYACTIV-G

- » 2.5 litre in-line 4 cylinder 16 valve DOHC S-VT petrol engine with i-stop
- » Drivetrain: i-ACTIV AWD
- » Fuel consumption (combined): 7.4L/100km*
- » Max power: 140kW @ 6,000rpm
- » Max torque: 252Nm @ 4,000rpm
- » Transmission: 6-speed auto (SKYACTIV-Drive)

SKYACTIV-D

- » 2.2 litre in-line 4 cylinder 16 valve DOHC intercooled turbo diesel engine with i-stop
- » Drivetrain: i-ACTIV AWD
- » Fuel consumption (combined): 5.7L/100km*
- » Max power: 140kW @ 4,500rpm
- » Max torque: 450Nm @ 2,000rpm
- » Transmission: 6-speed auto (SKYACTIV-Drive)

[†] i-ACTIVSENSE, other safety technologies and driver-assistance features do not replace the driver's judgement, and should not be used in place of skilled and safe driving practices. It is the driver's sole responsibility to monitor vehicle surroundings and conditions and comply with all applicable laws at all times.

[#] Leather interior includes some Maztex material on selected high impact surfaces.

* Fuel consumption figures are based on ADR 81/02 test results. They are useful in comparing the fuel consumption of different vehicles. They may not be the fuel consumption achieved in practice. This will depend on traffic, road conditions and how the vehicle is driven.



HAVE THE POWER

The new power liftgate offers you plenty of convenience and saves time when loading and unloading your things.



LET THE SKY IN

When the weather's good you'll love your sliding glass sunroof filling the cabin with light and fresh air.



SOUNDS IMPRESSIVE

The 10-speaker Bose[®] audio system has been strategically placed around the cabin to deliver everyone crystal clear audio.



LIGHT THE WAY

The Adaptive Front-lighting System means you'll always have optimum lighting at night, which means perfect driving light for you!



Akera in Soul Red Crystal Metallic.

AKERA FEATURES

ADDITIONAL TO GT

- » 360° View Monitor
- » Mazda Radar Cruise Control (MRCC)[†] with Stop & Go function
- » Adaptive LED Headlamps (ALH)[†]
- » Driver Attention Alert (DAA)[†]
- » Lane Departure Warning (LDW)[†]
- » Lane-keep Assist System (LAS)[†]
- » Smart Brake Support (SBS)[†]

POWERTRAIN

SKYACTIV-G

- » 2.5 litre in-line 4 cylinder 16 valve DOHC S-VT petrol engine with i-stop
- » Drivetrain: i-ACTIV AWD
- » Fuel consumption (combined): 7.4L/100km*
- » Max power: 140kW @ 6,000rpm
- » Max torque: 252Nm @ 4,000rpm
- » Transmission: 6-speed auto (SKYACTIV-Drive)

SKYACTIV-D

- » 2.2 litre in-line 4 cylinder 16 valve DOHC intercooled turbo diesel engine with i-stop
- » Drivetrain: i-ACTIV AWD
- » Fuel consumption (combined): 5.7L/100km*
- » Max power: 140kW @ 4,500rpm
- » Max torque: 450Nm @ 2,000rpm
- » Transmission: 6-speed auto (SKYACTIV-Drive)

[†] i-ACTIVSENSE, other safety technologies and driver-assistance features do not replace the driver's judgement, and should not be used in place of skilled and safe driving practices. It is the driver's sole responsibility to monitor vehicle surroundings and conditions and comply with all applicable laws at all times.

Leather interior includes some Maztex material on selected high impact surfaces.

* Fuel consumption figures are based on ADR 81/02 test results. They are useful in comparing the fuel consumption of different vehicles. They may not be the fuel consumption achieved in practice. This will depend on traffic, road conditions and how the vehicle is driven.



LANE LOOKOUT

Lane Departure Warning (LDW) and Lane-keep Assist System (LAS) alert you if you unintentionally stray from your lane!



360° CAMERA

Four separate cameras give you a complete 360° view around the CX-5, helping you detect objects nearby, minimise blind spots and avoid potential danger!



BRIGHT LIGHTS

Adaptive LED Headlamps (ALH) automatically control LED light patterns for optimal road illumination.



PURE LUXURY AND COMFORT

Akera, in addition to the new ergonomic seat design, offers luxurious leather in pure white with contrast stitching. (Also available in black leather.# Also available on GT.)

SPECIFICATIONS

Powertrain		2.0L I4 Petrol FWD	2.5L I4 Petrol AWD	2.2L I4 Diesel AWD
Bore and stroke (mm)		83.5 x 91.2	89.0 x 100.0	86.0 x 94.3
Compression ratio		13.0 : 1	13.0 : 1	14.4 : 1
Drivetrain		FWD	i-ACTIV AWD	i-ACTIV AWD
Emissions standard		Euro stage V	Euro stage V	Euro stage V
Engine capacity (cc)		1,998	2,488	2,191
Engine type		2.0 litre in-line 4 cylinder 16 valve DOHC S-VT petrol (SKYACTIV-G) engine	2.5 litre in-line 4 cylinder 16 valve DOHC S-VT petrol (SKYACTIV-G) engine	2.2 litre in-line 4 cylinder 16 valve DOHC intercooled twin turbo diesel (SKYACTIV-D) engine
Fuel consumption (l/100km)*:	Manual (combined)	6.9	-	-
	Manual (extra urban)	6.0	-	-
	Manual (urban)	8.4	-	-
	Auto (combined)	6.9	7.4	5.7
	Auto (extra urban)	6.2	6.3	5.2
	Auto (urban)	8.1	9.2	6.5
Fuel system		Electronic direct injection	Electronic direct injection	Common rail, electronic direct injection
Fuel tank capacity (litres)		56	58	58
Gear ratio - Manual/Auto	1st	3.700 / 3.552	- / 3.552	- / 3.487
	2nd	1.947 / 2.022	- / 2.022	- / 1.992
	3rd	1.300 / 1.452	- / 1.452	- / 1.449
	4th	1.029 / 1.000	- / 1.000	- / 1.000
	5th	0.837 / 0.708	- / 0.708	- / 0.707
	6th	0.680 / 0.599	- / 0.599	- / 0.600
	Reverse	3.724 / 3.893	- / 3.893	- / 3.990
	Final drive	4.705 / 4.624	- / 4.624	- / 4.090
Maximum power (kW @ rpm)		115 @ 6,000	140 @ 6,000	140 @ 4,500
Maximum torque (Nm @ rpm)		200 @ 4,000	252 @ 4,000	450 @ 2,000
Recommended fuel		Unleaded (91RON or higher) or E10	Unleaded (91RON or higher) or E10	Diesel
Throttle control		Electronic (drive-by-wire)	Electronic (drive-by-wire)	Electronic (drive-by-wire)
Transmission	Manual	6-speed (SKYACTIV-MT)	-	-
	Auto	6-speed (SKYACTIV-Drive)	6-speed (SKYACTIV-Drive)	6-speed (SKYACTIV-Drive)

Model Availability		Maxx	Maxx Sport	Touring	GT	Akera
5-seat SUV:	2.0L I4 Petrol FWD / 6-speed manual	●	-	-	-	-
	2.0L I4 Petrol FWD / 6-speed automatic	●	●	-	-	-
	2.5L I4 Petrol AWD / 6-speed automatic	●	●	●	●	●
	2.2L I4 Diesel AWD / 6-speed automatic	-	●	●	●	●

● = Standard, - = Not available.

Chassis and Powertrain Technologies	Maxx	Maxx Sport	Touring	GT	Akera
Automatic transmission drive selection (petrol only)	●	●	●	●	●
Automatic transmission kickdown switch	●	●	●	●	●
Cylinder Deactivation (CDA)	●*P	●*P	●*P	●*P	●*P
Electric Parking Brake with Auto-Hold	●	●	●	●	●
Electric power assist steering	●	●	●	●	●
Hill Launch Assist (HLA)	●	●	●	●	●
i-ACTIV AWD	○	○	●	●	●
i-stop	●	●	●	●	●
SKYACTIV-BODY	●	●	●	●	●
SKYACTIV-CHASSIS	●	●	●	●	●
SKYACTIV-VEHICLE DYNAMICS G-Vectoring Control (GVC)	●	●	●	●	●
Variable Geometry Turbo charger (VGT)	●*D	●*D	●*D	●*D	●*D

Chassis	Maxx	Maxx Sport	Touring	GT	Akera
Brake diameter (mm):	Front (petrol)	297	297	297	297
	Front (diesel)	-	320	320	320
	Rear	303	303	303	303
Brake type:	Front	----- Ventilated disc -----			
	Rear	----- Solid disc -----			
Suspension:	Front	----- MacPherson strut -----			
	Rear	----- Multi-link -----			
Turning circle kerb to kerb (m)	11.0	11.0	11.0	11.0	11.0
Tyre size	225/65 R17	225/65 R17	225/65 R17	225/55 R19	225/55 R19
Tyre index	102V	102V	102V	99V	99V
Wheel size	17 x 7.0 J	17 x 7.0 J	17 x 7.0 J	19 x 7.0 J	19 x 7.0 J
Wheel type	Steel	Alloy	Alloy	Alloy	Alloy
Tyre size (spare)	----- 185/80 R17 -----				
Wheel size (spare)	----- 17 x 5.5 T -----				
Wheel type (spare)	----- Temporary (Steel) -----				

Weights and Capacities	Maxx	Maxx Sport	Touring	GT	Akera
Cargo room volume VDA (litres)	Rear seats up and to tonneau cover	442	442	442	442
	Rear seats folded down and up to roof	1,342	1,342	1,342	1,342
Kerb weight ¹ (kg)	2.0L I4 Petrol FWD / 6-speed manual	1,510	-	-	-
	2.0L I4 Petrol FWD / 6-speed automatic	1,558	1,558	-	-
	2.5L I4 Petrol AWD / 6-speed automatic	1,641	1,641	1,641	1,677
	2.2L I4 Diesel AWD / 6-speed automatic	-	1,715	1,715	1,751
Towing capacity ² (kg):	Braked	1,800	1,800	1,800	1,800
	Unbraked	750	750	750	750
Tow ball download maximum (kg)	150	150	150	150	150

● = Standard, ●*P = 2.5L I4 Petrol AWD only, ●*D = 2.2L I4 Diesel AWD only, ○ = Option, - = Not available.

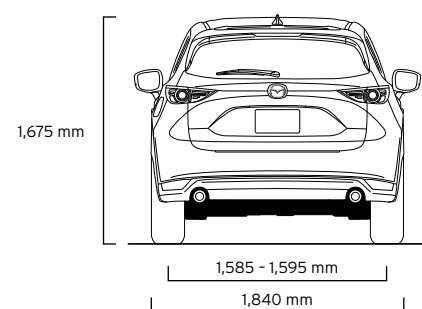
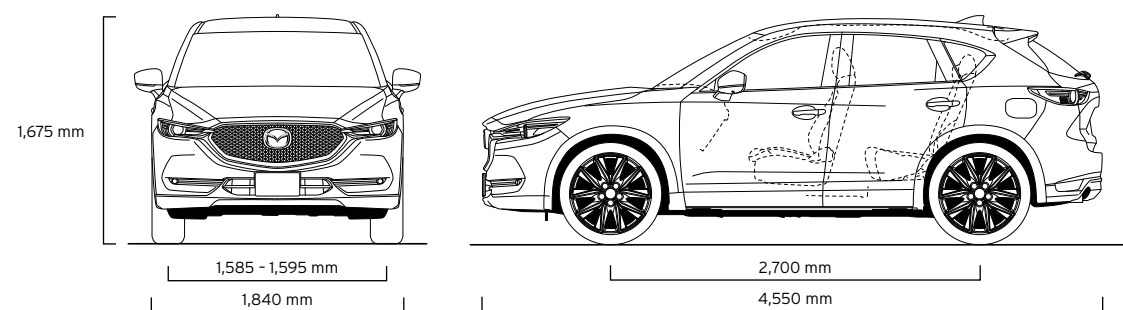
* Fuel consumption figures are based on ADR 81/02 test results. They are useful in comparing the fuel consumption of different vehicles. They may not be the fuel consumption achieved in practice. This will depend on traffic, road conditions and how the vehicle is driven.

¹ Kerb weight is the unladen weight of the vehicle, including all fluids and a full tank of fuel.

² When fitted with a Mazda Genuine Towing kit. Subject to State and Territory regulations.

SPECIFICATIONS

Model Availability		Maxx	Maxx Sport	Touring	GT	Akera
Ground clearance laden (mm)		185	185	185	185	185
Ground clearance unladen (mm)		193	193	193	193	193
Overall length (mm)		4,550	4,550	4,550	4,550	4,550
Overall width (mm)		1,840	1,840	1,840	1,840	1,840
Overall height (mm)		1,675	1,675	1,675	1,675	1,675
Track (mm):	Front	1,585	1,595	1,595	1,595	1,595
	Rear	1,585	1,595	1,595	1,595	1,595
Wheelbase (mm)		2,700	2,700	2,700	2,700	2,700



Exterior	Maxx	Maxx Sport	Touring	GT	Akera
Daytime running lamps (LED)	-	-	-	●	●
Door handles (body coloured)	●	●	●	●	●
Exhaust extensions (chrome)	●	●	●	●	●
Front and rear bumpers (body coloured)	●	●	●	●	●
Front fog-lamps (LED)	-	●	●	●	●
Green-tinted windscreen, side and rear windows	●	●	●	●	●
Headlamps (LED)	●	●	●	●	●
Headlamps auto on/off function	-	●	●	●	●
Power mirrors (body coloured)	●	●	●	●	●
Power mirrors (auto-folding)	-	-	●	●	●
Power mirrors (electric-folding)	●	●	-	-	-
Power mirrors (heated)	-	-	●	●	●
Power-sliding and tilt-glass sunroof	-	-	-	●	●
Power windows	●	●	●	●	●
Rear spoiler	●	●	●	●	●
Remote-operated power tailgate (open/close)	-	-	-	●	●
Tail lamps (LED)	-	●	●	●	●
Window demister (rear)	●	●	●	●	●
Wipers (front) 2-speed with rain-sensing function	-	●	●	●	●
Wipers (front) 2-speed with variable intermittent function	●	-	-	-	-
Wiper (rear) with intermittent function	●	●	●	●	●

Interior	Maxx	Maxx Sport	Touring	GT	Akera
Active Driving Display (windscreen)	-	-	●	●	●
Air-conditioning	●	-	-	-	-
Air-conditioning (dual-zone climate control) with rear vents	-	●	●	●	●
Ambient temperature display	●	●	●	●	●
Cargo area 12-volt power outlet	●	●	●	●	●
Cargo area tonneau cover with 'Karakuri' up and down function	●	●	●	●	●
Centre armrest console	●	●	●	●	●
Critical function warning lights/chimes	●	●	●	●	●
Cruise control	●	●	●	●	●
Mazda Radar Cruise Control (MRCC) with Stop & Go function	-	-	-	-	●
Cupholders	●	●	●	●	●
Door bottle holders (front and rear)	●	●	●	●	●
Glove box	●	●	●	●	●
Instrument panel light dimmer	●	●	●	●	●
Interior illumination:	Cargo room lamp	●	●	●	●
	Entry system with delayed fade	●	●	●	●
	Map reading spot lamps	●	●	●	●
	Power window switches	●	●	●	●
Interior release for fuel filler door	●	●	●	●	●
Leather-wrapped:	Gear shift knob	●	●	●	●
	Steering wheel	●	●	●	●
One-touch (up and down) power windows	●	●	●	●	●
Overhead sunglass storage box	●	●	●	●	●
Rear-view mirror with auto-dimming function	-	●	●	●	●
Tachometer and electronic odometer/ tripmeter	●	●	●	●	●
Tilt and telescopic adjustable steering wheel	●	●	●	●	●
Trip computer	●	●	●	●	●
Vanity mirrors (front)	●	-	-	-	-
Vanity mirrors (front) with illumination	-	●	●	●	●

● = Standard, - = Not available.

SPECIFICATIONS

Infotainment		Maxx	Maxx Sport	Touring	GT	Akera
7-inch full-colour touch screen display (MZD Connect)		●	●	●	●	●
AM/FM tuner		●	●	●	●	●
Auxiliary-audio input jack (3.5mm mini-stereo)		●	●	●	●	●
Bluetooth® hands-free phone and audio capability [§]		●	●	●	●	●
Digital radio (DAB+)		●	●	●	●	●
Internet radio integration (Stitcher™ and Aha™)		●	●	●	●	●
Multi-function commander control		●	●	●	●	●
Premium Bose® 249-watt amplifier and speakers		-	-	-	●	●
Radio Data System (RDS) program information		●	●	●	●	●
Satellite navigation		○	●	●	●	●
Speakers (6)		●	●	●	-	-
Speakers (10)		-	-	-	●	●
Steering wheel-mounted audio controls		●	●	●	●	●
USB-audio input ports (iPod compatible)		●	●	●	●	●

Seats		Maxx	Maxx Sport	Touring	GT	Akera
Front seats with:	2-position memory function (driver)	-	-	-	●	●
	6-way power adjustment (passenger)	-	-	-	●	●
	10-way power adjustment (driver)	-	-	-	●	●
	Adjustable head restraints	●	●	●	●	●
	Heating function	-	-	-	●	●
	Height adjustment	●	●	●	●	●
	Lumbar support adjustment (driver)	-	-	-	●	●
	Rake and slide adjustment	●	●	●	●	●
	Seat-back pockets	●	●	●	●	●
Rear seats with:	40/20/40 split-fold backrest	●	●	●	●	●
	Adjustable head restraints	●	●	●	●	●
	Centre fold-down armrest with USB and storage	-	●	●	●	●
	Reclining function	●	●	●	●	●
Seat trim:	Black cloth	●	●	-	-	-
	Black Maztex/black suede	-	-	●	-	-
	Black leather [#]	-	-	-	●	●
	Pure white leather [#]	-	-	-	○	○

● = Standard, ○ = Option, - = Not available.

Safety & Security		Maxx	Maxx Sport	Touring	GT	Akera
360° View Monitor		-	-	-	-	●
Adaptive Front-lighting System (AFS)		-	-	-	●	-
Adaptive LED Headlamps (ALH)		-	-	-	-	●
Adjustable Speed Limiter (ASL)		●	●	●	●	●
Advanced keyless entry		-	-	●	●	●
Advanced keyless push-button engine start		●	●	●	●	●
Airbags SRS:	Front (driver and passenger)	●	●	●	●	●
	Side (front)	●	●	●	●	●
	Curtain (front and rear)	●	●	●	●	●
Anti-lock Braking System (ABS)		●	●	●	●	●
Auto Door Lock (ADL)		●	●	●	●	●
Blind Spot Monitoring (BSM)		●	●	●	●	●
Childproof rear door locks		●	●	●	●	●
Driver Attention Alert (DAA)		-	-	-	-	●
Dynamic Stability Control (DSC)		●	●	●	●	●
Electronic Brake-force Distribution (EBD)		●	●	●	●	●
Emergency Brake Assist (EBA)		●	●	●	●	●
Emergency Stop Signal (ESS)		●	●	●	●	●
Engine immobiliser		●	●	●	●	●
Forward Obstruction Warning (FOW)		-	-	-	-	●
High-mount stop lamp		●	●	●	●	●
Hill Launch Assist (HLA)		●	●	●	●	●
Intrusion-minimising brake pedal		●	●	●	●	●
ISOFIX child restraint anchor points and top tethers		●	●	●	●	●
Lane Departure Warning (LDW)		-	-	-	-	●
Lane-keep Assist System (LAS)		-	-	-	-	●
Left-hand-side convex (wide-angle) exterior mirror		●	●	●	●	●
Parking sensors (front)		-	-	●	●	●
Parking sensors (rear)		●	●	●	●	●
Rear Cross Traffic Alert (RCTA)		●	●	●	●	●
Remote central locking (2 transmitters)		●	●	●	●	●
Reverse camera		●	●	●	●	●
Seat-belt warning (front and rear)		●	●	●	●	●
Seat belts with 3-point lap-sash (all seats)		●	●	●	●	●
Seat belts (front) with pretensioners, load-limiters and height-adjustable shoulder anchorages		●	●	●	●	●
Side-impact door beams		●	●	●	●	●
Smart Brake Support (SBS)		-	-	-	-	●
Smart City Brake Support [Forward/Reverse] (SCBS F/R)		●	●	●	●	●
Traction Control System (TCS)		●	●	●	●	●
Traffic Sign Recognition (TSR)		-	-	●	●	●
'Triple H' safety construction with front and rear crumple zones		●	●	●	●	●
Whiplash-minimising front seats		●	●	●	●	●

● = Standard, ○ = Option, - = Not available.

[§] Please check the compatibility of your Bluetooth® device (particularly your mobile phone) with the specific Mazda vehicle you intend to purchase, as not all devices operate correctly. Visit www.mazda.com.au/Bluetooth or consult your Mazda Dealer for further information.

ENJOY MAZDA CX-5 WITH CONFIDENCE



REST ASSURED – YOUR WARRANTY

The quality built into Mazda CX-5 is backed up by a 3-year, unlimited-kilometre factory warranty and 6-year panel protection warranty.

MAINTAIN THAT ZOOM-ZOOM

Your Mazda CX-5 deserves the best in care. Servicing with Mazda Service Select gives your car the advantage of factory trained Service Technicians and advanced computer diagnostic systems. As well as maintaining your Mazda in A1 condition, you'll also be protecting your vehicle's outstanding resale value.

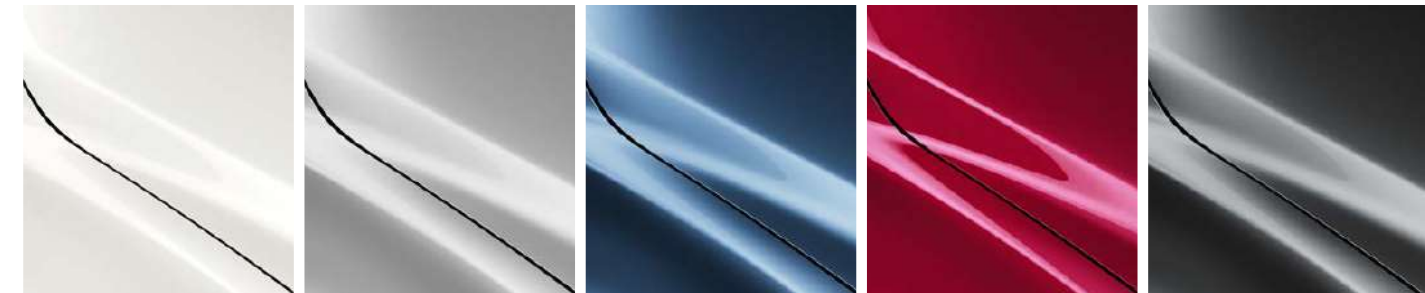
HELP IS AT HAND – MAZDA ROADSIDE ASSISTANCE

Flat batteries, running out of fuel, flat tyres – everyone faces hiccups from time to time. When the unexpected happens, Mazda Roadside Assistance is there to keep you moving. You'll be covered 24 hours a day, 365 days a year, all around Australia. Better still, your Mazda will only be worked on by Mazda-approved technicians. Choose a Standard policy offering everything needed to get going again, or Premium with extras like accommodation, a rental car and vehicle recovery. Either can be purchased across the entire Mazda range. (Terms and conditions apply.)



MAZDA CX-5 COLOUR AND TRIM

BODY COLOURS

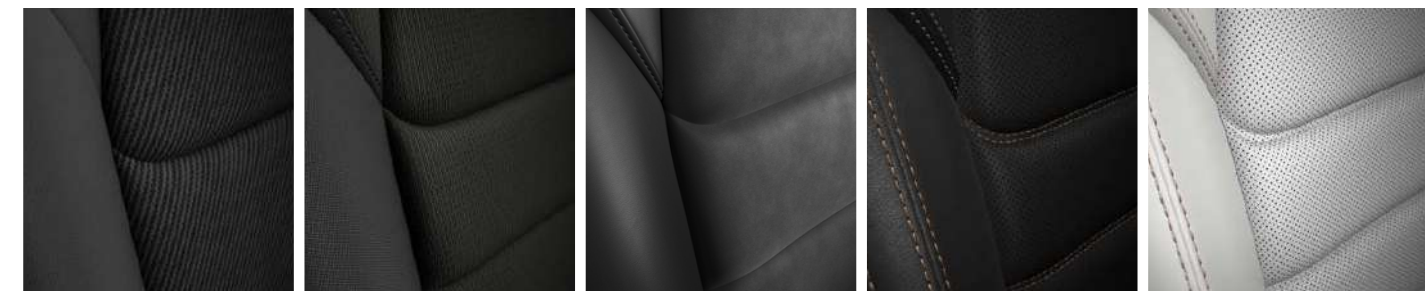


Snowflake White Pearl Mica Sonic Silver Metallic Eternal Blue Mica ■ Soul Red Crystal Metallic[^] ■ Machine Grey Metallic[^] ■



Titanium Flash Mica ■ Deep Crystal Blue Mica ■ Jet Black Mica ■

INTERIOR TRIMS



Black cloth (Maxx) Black cloth (Maxx Sport) Black Maztex/black suede (Touring) Black leather# (GT and Akera) Pure white leather# ■ (GT and Akera)

[^] At extra cost.

■ Pure white leather only available with Eternal Blue Mica, Soul Red Crystal Metallic, Machine Grey Metallic, Titanium Flash Mica, Deep Crystal Blue Mica and Jet Black Mica exterior colours.

Leather interior includes some Maztex material on selected high impact surfaces.

All care is taken to ensure the accuracy of this brochure at the time of publication. Specifications, features and model availability may vary from State to State and may change without notice. Please refer to mazda.com.au or consult your Mazda Dealer prior to placing an order to ascertain current information on model availability, specifications, options, features and prices. Mazda Australia Pty Ltd will not be liable for any loss arising from the information in this brochure, whether in negligence or otherwise. Mazda Australia Pty Ltd ABN 78 004 690 804. 211A Wellington Road, Mulgrave, Victoria 3170. iPod is a trademark of Apple Inc., registered in the U.S. and other countries. Due to the nature of the printing process, colours may vary from those shown in this brochure. Ask your Dealer to show you a product sample.

IMAGINATION DRIVES US



Facebook.com/
MazdaAus



YouTube.com/
ZoomZoom



Twitter.com/
MazdaAus



Instagram.com/
MazdaAus

Published May 2018. MAZ13612 129.111

For further information visit mazda.com.au or Freecall 1800 034 411

*MAZDA
GENUINE
ACCESSORIES*

CX-5



ZOOM-ZOOM



MAZDA



KUROI SPORTS PACK

Add even more visual impact with this streamlined, aerodynamic sports kit, featuring:

Door mirror caps

Front spoiler

Rear under spoiler

Side under spoiler

GT in Snowflake White Pearl Mica.

MAKE YOUR MAZDA EVEN MORE REWARDING

It's time to imagine better with Next-Gen Mazda CX-5. With better design, performance and technology at every turn it will feel like every drive has been crafted just for you. Mazda Genuine Accessories enhance the luxury as well as the practicality of your CX-5 and enable you to add your own individual touch. Featuring outstanding design, quality, fit and safety, each accessory is backed by a Mazda Warranty. So add some extra Zoom-Zoom to your CX-5 with Mazda Genuine Accessories.

FEATURED HERE

- Bonnet protector (clear)
- Front mud guards
- Headlight protectors
- Roof racks
- Slimline weathershields
- 19-inch gloss black alloy wheels



Akera in Soul Red Crystal Metallic.



KAYAK HOLDER
The convenient way to transport kayaks or canoes.



BIKE RACK (WHEEL ON)
Transport your bike without the inconvenience of removing a wheel.



BIKE RACK (WHEEL OFF)
Make it easy to take your bike along for the ride.



MOBILE PHONE HOLDER

Safe, stylish and compatible with many popular phones, this gives drivers easy phone visibility and access. Allows portrait or landscape use.



REAR SEAT ENTERTAINMENT HOLDER FOR iPad®

Keep rear seat passengers entertained with this convenient holder for your iPad®

TOW BAR KIT

Designed specifically for your CX-5 with a powerful 1800kg towing capacity & 150kg tow ball download capacity. Detachable tongue kit makes towbar invisible once removed.



*When fitted with a Mazda Genuine Towing kit. Subject to State and Territory regulations.



BOOT LIP PROTECTOR

Protect your rear bumper and boot lip from scratches and scuffs during loading and unloading.



CARGO NET AND CARGO ILLUMINATION

Mazda Genuine Cargo Lighting allows for a clearer view of your vehicles load compartment with additional LED lights. The cargo net helps prevent items sliding into the second row. (Items sold separately)



BONNET PROTECTOR (SMOKE)

Protect your car against damage from stones and other debris.



FRONT PARKING SENSORS

Take the guesswork out of parking with audio alerts advising the distance between your CX-5 and objects to the front. (Maxx and Maxx Sport models only)



CARGO ORGANISER BOX

Prevent items from sliding around in the cargo area. Features moveable internal dividers, detachable lids and securable base.



CARGO TRAY

A tailor-fitted non-slip tray that guards against scratches, dirt and water.



RUBBER FLOOR MATS

Protect your carpet with these hard-wearing, high-quality branded floor mats. Fastening system enhances safety.



CARPET FLOOR MATS

Protect your carpet with these high-quality, tailor-made floor mats. Fastening system enhances safety.



SAT NAV

Sat Nav directs you to your destination with ease. Features appear on a 7-inch display. (Maxx only)



REAR WINDOW SHADES

Protect passengers and cargo from the sun. The set covers both passenger windows.



ILLUMINATED SCUFF PLATES

Protect the inside of your doors with these practical scuff plates. Illuminated to add a stylish, personal touch.



WELCOME ILLUMINATION

Welcome lighting radiates soft blue illumination from both foot wells.



19-INCH GLOSS BLACK ALLOY WHEELS

A new design offering a bold, strong street presence that's sure to turn heads. (GT and Akera models only)



FRONT SEAT COVERS

Durable, waterproof neoprene protects against dirt and grime. Airbag compatible.



17-INCH SATIN BLACK ALLOY WHEELS

Give your CX-5 a personal touch with specially designed alloys that are both bold and stylish. (Maxx, Maxx Sport and Touring models only)



17-INCH SILVER ALLOY WHEELS

A timeless classic that complements the sleek new exterior design. (Maxx, Maxx Sport and Touring models only)

ALSO AVAILABLE

- Alloy accelerator pedal
- Alloy brake pedal
- Alloy brake & clutch pedal set
- Alloy foot rest
- Collapsible sun screen
- Rear bumper step plate
- Rear seat covers (Not compatible with Maxx models)
- Retractable AUX cable
- Retractable USB cable
- Retractable USB to micro USB
- Retractable USB to lightning cable

SEE THE FULL RANGE OF MAZDA GENUINE ACCESSORIES AT MAZDA.COM.AU

*Please refer to your Mazda Dealer for availability timing.

All care is taken to ensure the accuracy of this brochure and availability of items at the time of publication, however, to the extent permitted by law, Mazda Australia Pty Ltd will not be liable for any loss suffered or incurred by a purchaser or prospective purchaser if the content is inaccurate or not up to date, or if it withdraws any products in the brochure from the market. Sports and other equipment shown are for illustrative purposes only and do not come standard with the vehicle, or as Mazda Genuine Accessories. Specifications, features and availability may vary from State to State and may change without notice. Please refer to mazda.com.au or consult your Mazda Dealer prior to placing an order to ascertain current information on availability, specifications, features and prices. Mazda Australia Pty Ltd ABN 78 004 690 804, 211A Wellington Road, Mulgrave, Victoria 3170. All Mazda Genuine Accessories fitted at the point of sale of a new Mazda passenger vehicle are covered under the Mazda 3-year/unlimited kilometre warranty. Mazda Genuine Accessories fitted after the sale of a new Mazda vehicle are covered by the Mazda 2-year or 40,000 kilometre warranty (whichever should occur first). Consult your Mazda Dealer for further information. Published May 2018. MAZ13608 129.112