



Commercial  
Vehicles

# The Caddy Van

## Specifications



# Features and Specifications

Safety and Security	SWB Van	Maxi Van	Maxi Crewvan
<b>Airbags</b>			
Front airbag for driver and front passenger	●	●	●
Side/head airbags for driver and front passenger	●	●	●
<b>Seat belts</b>			
3-point seat belts with height adjustment and belt tensioners for driver and front passenger	●	●	●
3-point seat belts in 2nd row of seats, outer seats with seat belt tensioners	—	—	●
Seat belt warning light and buzzer for driver and front passenger seats	●	●	●
<b>Brakes and Traction Control</b>			
Multi-Collision Brake (MCB)	●	●	●
Electronic Stabilisation Programme (ESP)	●	●	●
Anti-Lock Braking System (ABS)	●	●	●
Brake Assist (BA)	●	●	●
Traction Control System (TCS)	●	●	●
Electronic Differential Lock (EDL)	●	●	●
Extended Electronic Differential Lock (XDL)	●	●	●
Hill Hold Control	●	●	●
<b>Driver Assistance Technology*</b>			
Driver Fatigue Detection	●	●	●
Rear Park Distance Control, with acoustic warning	●	●	●
Rear view camera system (requires lifting tailgate)	○	○	○
Forward Collision Warning "Front Assist" with City Emergency Braking (City EB)	●	●	●
Adaptive Cruise Control (ACC)	○	○	○
Active Lane Keep Assist* (with Premium Multi-Function Display)	○	○	○
<b>Lighting</b>			
Halogen headlights (H4)	●	●	●
Headlight range adjustment	●	●	●
Daytime Running Lights (DRL)	●	●	●
High stop light	●	●	●
Rear fog light	●	●	●
Xenon Headlights and LED Daytime Running Lights	○	○	○
<b>Locking</b>			
Engine immobiliser (electronic)	●	●	●
Central locking system with radio remote control and interior release mechanism	●	●	●
Two (2) remote control folding keys	●	●	●
<b>Head Restraints</b>			
Front safety optimised head restraints, height adjustable	●	●	●
Rear head restraints, height adjustable (3)	—	—	●

\*Safety technologies are not a substitute for the driver's responsibility of the vehicle.

Exterior Equipment / Styling	SWB Van	Maxi Van	Maxi Crewvan
<b>Doors</b>			
Sliding door, left, in load/passenger compartment	●	●	●
Sliding door, right, in load/passenger compartment	○	●	●
Rear wing doors with windows, asymmetrically split	●	●	●
Lifting tailgate with window and rear spoiler	○	○	○
<b>Windows</b>			
Heat-insulating windshield made of laminated glass	●	●	●
Heat-insulating glass (green)	●	●	●
Windscreen wiper intermittent control	●	●	●
Heated rear window(s) with wiper/washer system	●	●	●
Power windows with comfort operation and circuit breaker (front)	●	●	●
Side window (fixed) in sliding door, left	—	○	—
Side window (fixed) in sliding door, right	—	○	—
Side windows (slide opening) in left and right sliding doors	—	—	●
<b>Body Enhancements</b>			
Black bumpers	●	●	●
Body coloured bumpers	—	—	○
Black exterior mirror housings and door handles (without sliding door cover)	●	●	●
Black side protective strips	●	●	●
Black grained radiator grille with 1 decorative chrome molding	●	●	●
Roof rack mounting points (per side)	3	4	4
Trailer hitch preparation	○	○	—
<b>Wheels and Tyres</b>			
15" steel wheel with centre wheel trim - 195/65 R15 95T tyres	● (Diesel only)	● (Diesel only)	—
16" steel wheel with centre wheel trim - 205/55 R16 94H tyres	● (Petrol only)	● (Petrol only)	●
4 x 15" alloy wheels - CALOUNDRA - 195/65 R15 95T tyres	○ (Diesel only)	○ (Diesel only)	—
4 x 16" alloy wheels - BENDIGO - 205/55 R16 94H tyres	○	○	—
Steel spare wheel - full size, OE tyre	●	●	●
Tool kit with vehicle jack	●	●	●
<b>Comfort and Convenience</b>			
<b>Air Conditioning</b>			
Air conditioning system, manual	●	●	●
Dust and pollen filter	●	●	●
<b>Cruise Control</b>			
Cruise Control, including speed limiter	●	●	●
<b>Floor Covering</b>			
Rubber floor covering in cab	●	●	●
Rubber floor covering in load/passenger compartment	—	—	●
Plastic floor covering in load area	○	○	—

● Standard ○ Optional Extra — Not available

## Comfort and Convenience

### In-Car Entertainment and Technology

#### Composition Colour audio system

5" colour touch screen display, AM/FM radio with phase diversity tuner, CD player (MP3/WMA compatible), AUX and SD card slot, external USB input, and two (2) speakers. Car menu with convenience and service settings. Includes display for park distance control (if fitted).

#### Composition Media audio system with App-Connect^

6.33" colour touch screen display with proximity sensor, AM/FM radio, CD player (MP3/WMA compatible), SD card slot, external AUX and USB inputs, and four (4) speakers. Car menu with convenience and service settings. Includes display for park distance control (if fitted). App-Connect USB interface for Apple CarPlay®, Android Auto™ and Mirror Link® in front centre console.

#### Discover Media audio and satellite navigation system with App-Connect^

6.33" colour touch screen display with proximity sensor, AM/FM radio, CD player (MP3/WMA compatible), 2 x SD card slots for music and navigation data, external AUX and USB inputs, and four (4) speakers. 2D and 3D (bird's eye) map views. Car menu with convenience and service settings. Includes display for park distance control (if fitted). App-Connect USB interface for Apple CarPlay®, Android Auto™ and Mirror Link® in front centre console.

Bluetooth® phone connectivity with contacts display and Bluetooth® audio streaming, operation via touch screen audio unit or Multi-Function Display

Audio, telephone, cruise control and Multi-Function Display controls mounted on steering wheel

Digital Radio Reception (DAB+)\*

### Instrumentation

Speedometer & tachometer, electronic odometer and trip meter, service interval display, fuel and coolant gauges, low fuel warning light, adjustable illumination

Multi-Function Display (MFD Plus) - trip time, trip length, average and current speed, average and current fuel consumption, display until empty and ambient temperature, digital clock, vehicle status, audio, telephone and navigation (if fitted) menus

### Interior Lighting

LED Reading lights, front

LED Roof light in load compartment

### Load Compartment

Lashing rings for load restraint

Hardboard side trim panels

12-volt socket

Partition (high) without window (removes dimming breakaway interior rear view mirror)

### Mirrors

Commercial vehicle exterior mirrors (left: convex, right: aspherical)

Exterior mirrors, power adjustable and heated

Dimming breakaway interior rear view mirror

### Power Steering

Servotronic (electro-mechanical speed-sensitive power steering)

## SWB Van

## Maxi Van

## Maxi Crewvan



6



8



6



—



<sup>^</sup>App-Connect is compatible for selected apps with the latest smartphone versions of iOS and Android, active data service, and connection cable (sold separately).

\*Only available in conjunction with Composition Media Radio or Discover Media navigation system.



## Comfort and Convenience

### Seating

	SWB Van	Maxi Van	Maxi Crewvan
Height adjustment for driver's seat	●	●	—
Height adjustment for both front seats	—	—	●
Lumbar support (manually adjustable) for driver's seat	●	●	●
Backrest release for front seat	—	—	●
3-seater bench in 2nd row of seats (folding, folding/tipping, removable)	—	—	●
Cloth seat covering "Austin"	●	●	●
Leatherette seat covering "Mesh"	○	○	○
Grab handles for driver and front passenger	●	●	●

### Steering Wheel

3 spoke leather covered flat bottom steering wheel	●	●	●
Audio, telephone, cruise control and Multi-Function Display controls mounted on steering wheel	●	●	●
Steering wheel height and tilt adjustment	●	●	●

### Storage

Storage compartment under front seats	●	●	—
Drawers under front seats	—	—	●
Centre console with 4 cup holders (2 front and 2 rear)	●	●	●
Roof shelf above front seats	●	●	●
Front door pockets	●	●	●
Front sunvisors with ticket holder	●	●	●
Illuminated glove compartment with lockable lid	●	●	●
Central upper storage compartment (open)	●	●	●
Open storage compartment above glovebox	●	●	●
Open storage compartment in front of gear lever	●	●	●
Ashtray, portable	●	●	●

## Body Builder Items

Stronger Battery and stronger Alternator	○ (Petrol only)	○ (Petrol only)	○ (Petrol only)
Stronger Alternator	○ (Diesel only)	○ (Diesel only)	○ (Diesel only)
Internal Electrical Interface	○	○	○

\*Leatherette consists wholly of artificial leather.

Optional Packages	SWB Van	Maxi Van	Maxi Crewvan
<b>Driver Assistance Package*</b>			
Adaptive Cruise Control (ACC) - with "Stop & Go" function for DSG only Front fog lights with static cornering function Light and Vision system: auto dimming inside rear view mirror; automatic headlight activation with separate daytime running lights, "Leaving Home" and manual "Coming Home" function; rain sensing wipers	○	○	○
<b>Interior Comfort Package</b>			
Light and Vision system: auto dimming inside rear view mirror; automatic headlight activation with separate daytime running lights, "Leaving Home" and manual "Coming Home" function; rain sensing wipers Height adjustment for front passenger's seat (standard for Crewvan) Lumbar support (manually adjustable) for front passenger's seat Vanity mirrors for left and right sun visors 12-volt socket in dashboard	○	○	○
<b>Appearance Package</b>			
Body coloured bumpers Body coloured side protective strips Body coloured exterior mirror housings, door handles, and sliding door cover (black rear door handles)	○	○	—
<b>Window Package (for rear wing doors)</b>			
Side windows (fixed) at front of load area Side windows (fixed) at rear of load area	○	○	—
<b>Window Package (including Lifting Tailgate)</b>			
Lifting tailgate with window and spoiler Side windows (fixed) at front of load area Side windows (fixed) at rear of load area	○	○	—
<b>Window Package</b>			
Side windows (fixed) at rear of load area	—	—	○

\*Safety technologies are not a substitute for the driver's responsibility of the vehicle.

# Technical Specifications

Engine	1.4 litre TSI BlueMotion Technology		2.0 litre TDI BlueMotion Technology
Type	4 cylinder inline turbocharged direct injection petrol with engine Start/Stop system^		4 cylinder Common Rail/exhaust-gas turbocharger with Stop/Start system^
Max power, kW @ rpm	92 @ 4,800		75 @ 2,900 – 4,000
Max torque, Nm @ rpm	220 @ 1,500-3,500		250 @ 1,300 – 2,800
Cubic capacity, litres/cc	1,395		1,968
Bore/stroke, mm	74.5 x 80		81.0 x 95.5
Compression ratio	10.5 : 1		16.2:1
Fuel type (recommended)	Premium unleaded 95 RON minimum		Diesel, min. 51 CZ in accordance with DIN 590
<b>Transmission</b>	6 speed manual	7 Speed Direct Shift Gearbox (DSG) with sport mode and Tiptronic function	6 Speed Dual Clutch Gearbox (DSG) with sport mode and Tiptronic function
Driven wheels	Front Wheel Drive	Front Wheel Drive	Front Wheel Drive
<b>Fuel consumption**</b>			
Combined, L/100km	6.2	6.0	5.3
Urban, L/100km	7.6	7.0	6.0
Extra Urban, L/100km	5.3	5.4	4.9
Fuel tank capacity, L	55	55	55
<b>Running Gear</b>			
Suspension			
Front Axle	MacPherson strut with double wishbone and anti-roll bar		
Rear Axle	Rigid rear axle on leaf springs with load-dependent damper and anti-roll bar		
Reinforced Rear Suspension	Optionally available. Recommended for vehicles which regularly carry over 180kg (SWB) / 200kg (Maxi Van)		
Steering	Electro-mechanical power-assisted rack & pinion steering		
Brake systems	Anti-lock Braking System (ABS) with Electronic Brake-Pressure Distribution (EBD), Brake Assist and Electronic Stabilisation Program (ESP). Brake Energy Recuperation.		
<b>Brakes</b>	Power assisted Hydraulic	Power assisted Hydraulic	Power assisted Hydraulic
Front	Ventilated Disc (288mm)	Ventilated Disc (312mm)	Ventilated Disc (312mm)
Rear	Disc (272mm)	Disc (272mm)	Disc (272mm)

^The Start/Stop system is designed to reduce fuel consumption and CO<sub>2</sub> emissions. It achieves this by automatically switching off the engine while the vehicle is stationary and then starting it again automatically when the driver wants to drive off. There are certain operating conditions where the Start/Stop system is deactivated (e.g. during engine warm-up), please refer to the owner's manual for full operating information.

\*\* Fuel consumption figures according to ADR 81/02 derived from laboratory testing. Factors including but not limited to driving style, road and traffic conditions, environmental influences, vehicle condition and accessories fitted, will in practice in the real world lead to figures which generally differ from those advertised. Advertised figures are meant for comparison amongst vehicles only.

# Weights and capacities

	SWB Van	SWB Van	Maxi Van	Maxi Van	Maxi Van	Maxi Crewvan	Maxi Crewvan	Maxi Crewvan
	TSI220 DSG	TDI250 DSG	TSI220 Manual	TSI220 DSG	TDI250 DSG	TSI220 Manual	TSI220 DSG	TDI250 DSG
<b>Weights</b>								
Gross Vehicle Weight (GVM), kg	2,095	2,141	2,227	2,255	2,326	2,222	2,249	2,329
Unladen Mass <sup>1</sup> , kg	1,322	1,401	1,385	1,415	1,493	1,494	1,524	1,610
Payload <sup>2</sup> maximum, kg	773	740	842	840	833	728	725	719
Front axle load limit, kg	1,050	1,100	1,050	1,050	1,175	1,150	1,150	1,200
Rear axle load limit, kg	1,230	1,230	1,300	1,300	1,300	1,250	1,250	1,230
Roof Load (kg)	100	100	100	100	100	100	100	100
Towing Capacity, kg								
Braked <sup>‡</sup>	1,300	1,400	1,300	1,300	1,400	—	—	—
Unbraked	630	700	630	630	700	—	—	—
Towbar Load Limit, kg	100	100	100	100	100	—	—	—
<b>Exterior Dimensions</b>								
Wheelbase (mm)	2,682	2,682	3,006	3,006	3,006	3,006	3,006	3,006
Vehicle Length (mm)	4,408	4,408	4,878	4,878	4,878	4,878	4,878	4,878
Vehicle Width (mm) excluding mirrors	1,773	1,793	1,793	1,793	1,793	1,793	1,793	1,793
Vehicle Width (mm) including mirrors	2,065	2,065	2,065	2,065	2,065	2,065	2,065	2,065
Vehicle Height (mm)	1,823	1,823	1,836	1,836	1,836	1,831	1,831	1,831
Front Overhang (mm)	879	879	879	879	879	879	879	879
Rear Overhang (mm)	847	847	993	993	993	993	993	993
Ground Clearance (mm)	172	175	187	187	175	187	187	187
Slope Angle – Front (degrees)	17.1	13.2	16.7	16.7	16.7	15.9	15.9	15.9
Slope Angle – Rear (degrees)	17.3	18.1	14.8	14.8	14.8	15.3	15.3	15.3
Ramp Angle (degrees)	14.0	12.3	12.1	12.1	12.1	12.1	12.1	12.1
Turning Circle (m)	11.1	11.1	12.2	12.2	12.2	12.2	12.2	12.2
<b>Interior</b>								
Seating capacity	2	2	2			5 (2 + 3)		
Cargo Volume (L) – behind 1st row	3,200	3,200	4,200			4,130		
Cargo Volume (L) – 2nd row folded forward	—	—	—			3,950		
Cargo Volume (L) – behind 2nd row	—	—	—			1,650		
Load Compartment Length (mm) – behind 1st row	1,779	1,779	2,249			2,250		
Load Compartment Length (mm) – 2nd row folded forward	—	—	—			1,823		
Load Compartment Length (mm) – behind 2nd row	—	—	—			1,566		
Load Compartment Width (mm) – maximum	1,556	1,556	1,532			1,190		
Load Compartment Width (mm) – at wheel arches	1,170	1,170	1,168			1,168		
Load Compartment Height (mm)	1,244	1,244	1,259			1,240		
Sliding Door Width (mm)	701	701	701			701		
Sliding Door Height (mm)	1,097	1,097	1,092			1,084		
Tailgate Width (mm)	1,183	1,183	1,183			1,183		
Tailgate Height (mm)	1,134	1,134	1,134			1,134		
Load Sill Height (mm)	577	547	588			581		

\* Please note, Volkswagen Group Australia does not endorse or will not be held liable for any claim, loss or damage arising from the use or fitment of electronic trailer brakes.

● Standard ○ Optional Extra — Not available

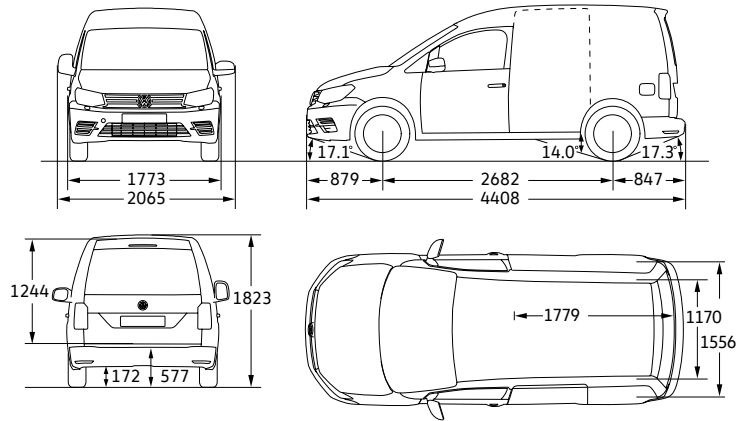
1. The Unladen Mass (UM) includes 10L of fuel, vehicle fluids and no occupants. Figures quoted are for base model vehicles only. 2. Payload figures determined by subtracting 'Unladen Weight' from total 'Gross Vehicle Mass' (GVM). A vehicle's final payload, given the different configurations, can only be determined by weighing the individual vehicle and comparing to the known GVM. Figures quoted are for base model vehicles only.



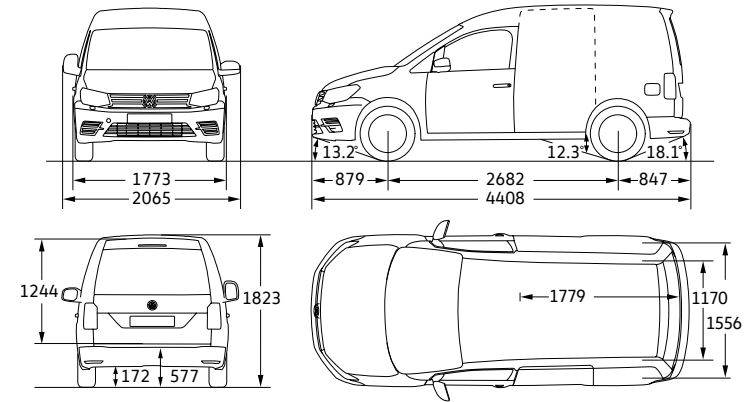
# Dimensions

All dimensions shown in mm.

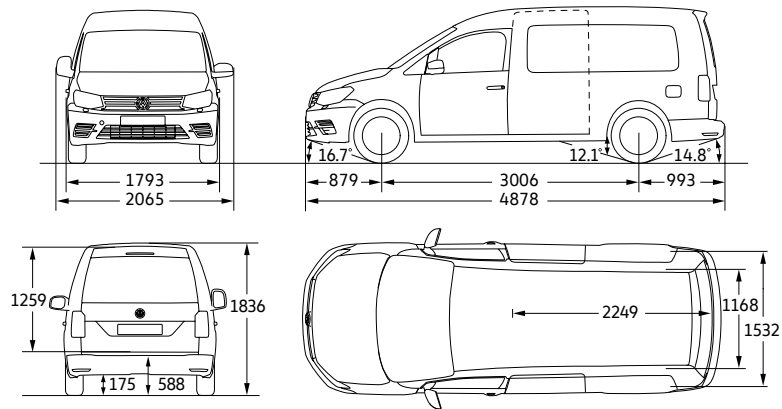
**Caddy SWB Van - Petrol (TSI)**



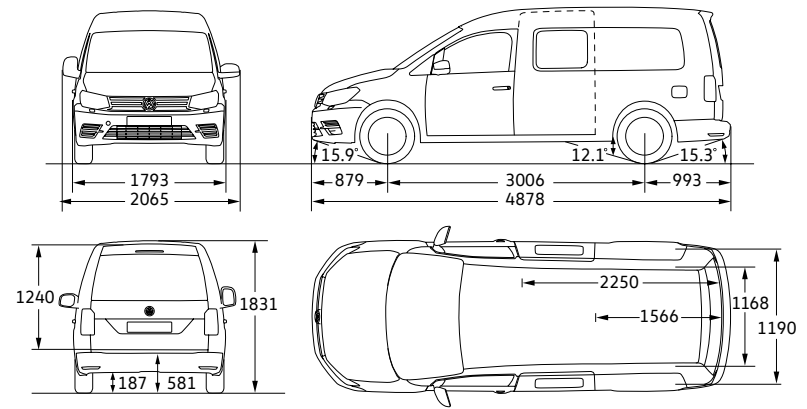
**Caddy SWB Van - Diesel (TDI)**



**Caddy Maxi Van**



**Caddy Maxi Crewvan**



# Wheels



**15" alloy wheel - CALOUNDRA.**  
Optional for Caddy Van and Maxi Van TDI Diesel



**16" alloy wheel - BENDIGO.**  
Optional for Caddy Van and Maxi Van

## Solid paint finishes



Candy White | Solid paint finish | B4B4



Pure Grey | Solid paint finish | J2J2



Cherry Red | Solid paint finish | 4B4B



Luminous Orange | Solid paint finish | E3E3

## Metallic and Pearlescent finishes



Reflex Silver | Metallic paint finish | 8E8E



Mojave Beige | Metallic paint finish | 1B1B



Indium Grey | Metallic paint finish | X3X3



Chestnut Brown | Metallic paint finish | H4H4



Deep Black Pearl | Metallic paint finish | 2T2T



Acapulco Blue | Metallic paint finish | 2W2W



Starlight Blue | Metallic paint finish | 3S3S



Bamboo Garden Green | Metallic paint finish | 3T3T

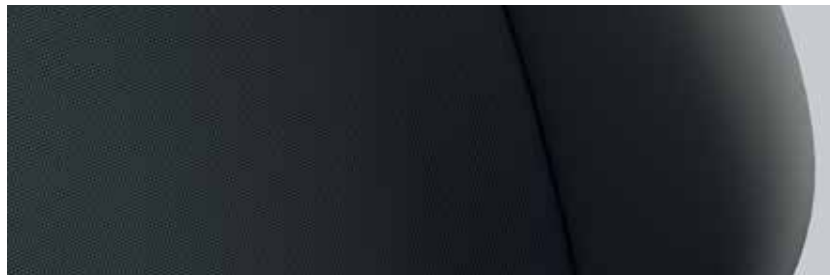


Sandstorm Yellow | Metallic paint finish | 9U9U

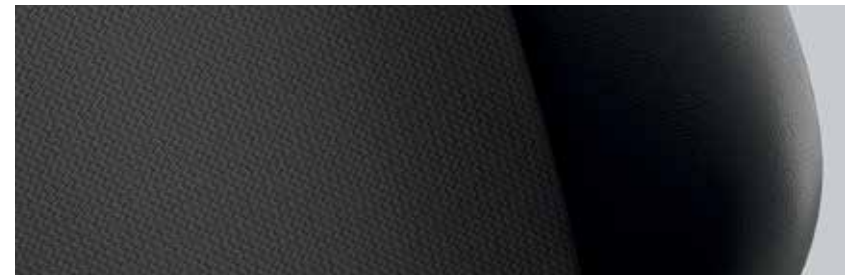


Fortana Red | Metallic paint finish | 1919

## Seat upholstery



Austin | Cloth seat upholstery | Titanium Black



Mesh | Leatherette seat upholstery\* | Titanium Black | Optionally available

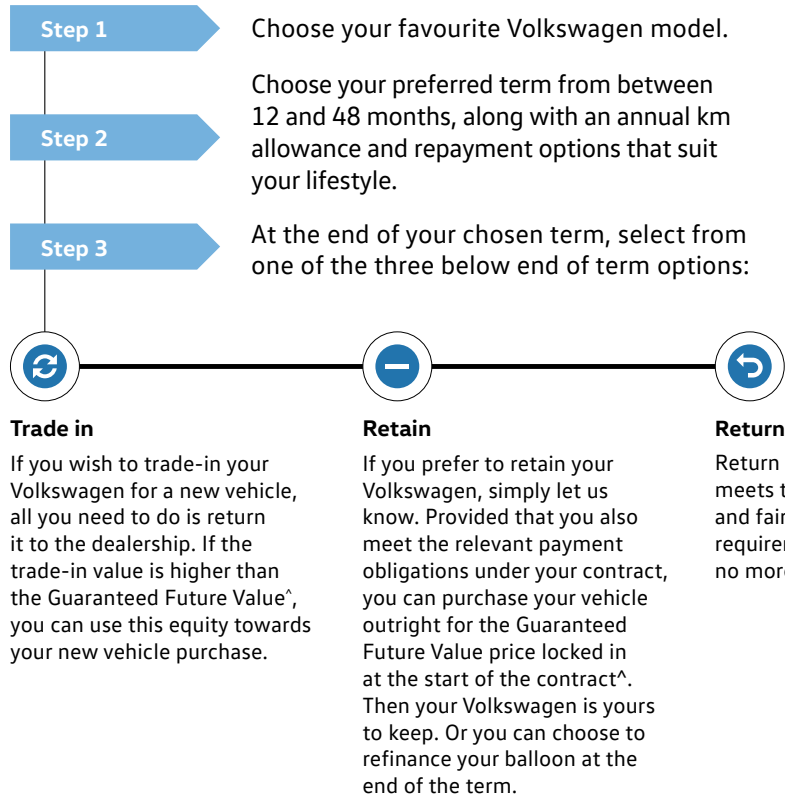
Please note that Metallic and Pearl Effect paint are optional at extra cost. The print process does not allow for exact reproduction of the exterior or the upholstery colours. Please contact your Volkswagen Dealer for further information on colours and upholstery combinations.  
\*Leatherette consists wholly of artificial leather.

# Volkswagen Choice: Protecting your investment

We're out to prove that there still are some guarantees in life. We've developed Volkswagen Choice<sup>^</sup> - a flexible finance solution that provides you with the assurance of knowing exactly what the minimum value of your vehicle will be down the track. With Volkswagen Choice<sup>^</sup>, you can enjoy your car without worrying about what the future will bring, providing peace of mind.

**Volkswagen Choice**

Guaranteed Future Value



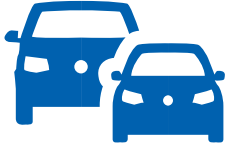
To find out more, go to <https://www.volkswagen.com.au/en/financial-services/guaranteed-future-value.html>

<sup>^</sup>The Volkswagen Choice Program consists of an option to return the vehicle to Volkswagen Financial Services (VFS)\*\* at the end of the term and require VFS\*\* to purchase the vehicle at an agreed price known as the Guaranteed Future Value or GFV as determined by VFS\*\* and set out in your contract. At the end of the term, you can elect to: (1) trade-in the vehicle; (2) exercise the option to return the vehicle; or (3) retain the vehicle by paying the GFV. The GFV is not a representation by VFS\*\* as to the likely market value of the vehicle as at the end of your contract. The option is available on new and demonstrator Volkswagen vehicles for selected models only. Please verify with your dealership the vehicles that are eligible for the program. The GFV will be reduced, and you will be liable for any loan contract deficit, if you exceed the nominated kilometre allowance and/or the vehicle is not in an acceptable condition in accordance with the Fair Wear and Tear Guide available at [www.volkswagen.com.au](http://www.volkswagen.com.au). Other terms and conditions apply. The cost of the Volkswagen Choice Program is incorporated into the applicable interest rate. Please read the full terms and conditions. Please consider whether these products and services are appropriate for your circumstances. Before acting on any of the information on this page, please seek independent financial and tax advice. Full terms and conditions are available upon application. Available only to approved applicants of VFS\*\*. Subject to credit assessment. Standard fees and charges apply. Fleet, government, rental buyers, hire car and chauffeur companies are excluded. Available at participating Volkswagen dealers. \*\*VFS is a trading name of Volkswagen Financial Services Australia Pty Limited ABN 20 097 071 460. Australian Credit Licence 389344.

# General Information

---

## Owning a Volkswagen



### 3 Years 24-Hour Roadside Assistance

As a valued customer, you can be assured that wherever you travel within Australia, you will have access to roadside assistance, 24 hours a day, 365 days a year. This is complimentary for the duration of the vehicle's original Volkswagen warranty period. You will receive help in the event of a breakdown or accident and, if required, your vehicle will be mobilised or transported to an authorised Volkswagen Dealer. As a Volkswagen owner you will also have access to the additional benefits of accommodation and car rental if your vehicle cannot be mobilised within 24 hours, when you are over 100km away from home.

### Volkswagen New Vehicle Warranty

Every new Volkswagen vehicle is covered by a three year unlimited kilometre manufacturer's warranty, which includes Volkswagen Assist (24-hour roadside assistance). It is also covered by a 3 year paintwork and 12-year anticorrosion perforation warranty. Conditions and exclusions apply, please consult your local Volkswagen Dealer or visit [www.volkswagen.com.au/warranty](http://www.volkswagen.com.au/warranty). Your rights under this warranty are provided in addition to, and in some cases overlap with, consumer guarantees under Australian Consumer Law and do not limit or replace them.



### Volkswagen Genuine Parts®

Volkswagen Genuine Parts® are designed for your vehicle and approved by Volkswagen, with particular regard to safety. The workmanship, dimensional accuracy and materials used in these parts comply with factory specifications. To ensure safety and reliability, Volkswagen recommends the use of Volkswagen Genuine Parts®. All Volkswagen Genuine Parts® come with a 2 year unlimited kilometre warranty. Warranty for accessories fitted on the vehicle at time of delivery is 3 years unlimited kilometres warranty. Conditions and exclusions apply, see [www.volkswagen.com.au/warranty](http://www.volkswagen.com.au/warranty) for details. Your rights under this warranty are provided in addition to, and in some cases overlap with, consumer guarantees under Australian Consumer Law and do not limit or replace them.

### Volkswagen Financial Services

Choosing a new car is a very personal thing, and we think car finance should be just as personal. We are here to help you create an individually tailored mobility solution that's perfect for your budget, your lifestyle and your new vehicle. When you choose an exceptional vehicle, it makes sense to choose an exceptional finance product to match. That's why we've designed our finance options specifically for Volkswagen drivers, offering excellent flexibility, reliability and service for the discerning motorist. And because your finance package is individually tailored with the features you need, it's both practical and affordable. Speak to your local participating authorised Volkswagen Dealer today to put together a solution that best suits your lifestyle.



### Volkswagen Assured Service Pricing

Volkswagen Assured Servicing provides clear and transparent service pricing for your Volkswagen's first 5 scheduled services 5 standard scheduled services of your vehicle which are scheduled to occur at every 20,000 km/12 month interval (whichever occurs first) at an authorised Volkswagen Dealer. On or before 31 December each year, Volkswagen will publish the maximum price for a specified Schedule Service that will be applicable from, and remain fixed for, the following calendar year only. Exclusions and conditions apply. To find out the cost of your Volkswagen's next standard scheduled service visit the Service Pricing Guide at [www.volkswagen.com.au](http://www.volkswagen.com.au).



# The Caddy Van

Volkswagen Group Australia Pty Ltd  
24 Muir Road Chullora NSW 2190  
ABN 14 093 117 876

August 2018  
[www.volkswagen.com.au](http://www.volkswagen.com.au)

Publication: VWCCADVANSPECMY19

Your Volkswagen dealer.

#### **Important information**

Apple CarPlay® is a registered trademark of Apple Inc. Android Auto™ is a registered trademark of Google Inc. MirrorLink® is a registered trademark of Car Connectivity Consortium LLC. Bluetooth® is a registered trademark of Bluetooth SIG Inc.

Volkswagen is distributed by Volkswagen Group Australia Pty Ltd, 24 Muir Road, Chullora, NSW 2190, ABN 14 093 117 876. Specifications are as planned at August 2018, for Model Year 19 and are subject to change without notice or obligation. All information in this brochure is correct at the time of publication, however variations may occur from time to time and Volkswagen, in so far as it is permitted by law to do so, shall not be liable in any way as a result of any reliance by any person on anything contained in this brochure. Authorised Volkswagen dealers will provide up-to-date information on model application, design feature, prices and availability on request. All colours are a general guide only, as the printing process cannot reproduce the actual exterior colour appearance. See your dealer to confirm colour/model availability.