



Commercial
Vehicles

The Caddy Van

An expert in every field

The Caddy Van

LOW FUEL CONSUMPTION



5.3L/100km for Diesel TDI250 engine#.
6.0L/100km for Petrol TSI220 engine#.

GENEROUS PAYLOAD

across the range.
Up to 840kg~ in the Maxi Van.



ADVANCED INFOTAINMENT

Touch screen audio and App-Connect* available.

FUNCTIONALITY AND FLEXIBILITY.

Barn doors or lifting tailgate, wide sliding door(s) and two or five seat versions with removable rear seats.



DRIVER ASSISTANCE SYSTEMS

Standard safety features including Multi-Collision Brake (MCB), Driver Fatigue Detection*, Front Assist with City Emergency Braking* and Rear Park Distance Control*.



MARKET LEADER

No. 1 selling vehicle in the compact van market for over 10 years

1

ADVANCED ENGINES

BlueMotion Technology as standard across Petrol and Diesel variants.



LONG LOAD COMPARTMENT

Up to 1,779mm in the Caddy Van and up to 2,249mm in the Caddy Maxi Van.



CLEVERLY THOUGHT OUT STORAGE SYSTEMS

An abundance of storage areas and drink holders throughout the interior.



Caddy Van shown with optional alloy wheels and second sliding door.

#Fuel consumption figures according to ADR 81/02 derived from laboratory testing. Factors including but not limited to driving style, road and traffic conditions, environmental influences, vehicle condition and accessories fitted, will in practice in the real world lead to figures which generally differ from those advertised. Advertised figures are meant for comparison amongst vehicles only. *Safety technologies are designed to assist the driver, but should not be used as a substitute for safe driving practices. ~Payload is defined as the Gross Vehicle Mass (GVM) minus the Unladen Weight. Payload is the maximum combined weight of occupants, cargo, added structures and tow ball down weight (when towing). GVM must not be exceeded. *App-Connect is compatible for selected apps with the latest smartphone versions of iOS and Android, active data service, and connection cable (sold separately).

Standard for all Caddy Van variants

Interior

- Height-adjustable driver's seat with lumbar support
- Leather-wrapped steering wheel, height and reach adjustable
- Cleverly thought out storage system including roof shelf
- Storage compartments under front seats
- Illuminated glove compartment, with lockable lid
- Rubber flooring in the driver's compartment
- Austin cloth seat upholstery
- LED interior lights in both cabin and load area

Function

- Stop/start system
- Bluetooth® phone and audio streaming compatibility
- Composition Colour radio with USB/AUX/SD input
- Steering wheel audio controls
- Cruise Control with speed limiter
- Electronic immobiliser
- Central locking with remote control
- Power windows and exterior mirrors
- Manually controlled air conditioning
- 12V socket in load area and centre console
- Rear Park Distance Control*

Safety

- Forward Collision with City Emergency Braking*
- Driver Fatigue Detection*
- Hill-Start Assist
- Multi-Collision Brake (MCB)
- Electronic Stabilisation Programme (ESP)
- Traction Control System (TCS)
- Anti-Lock Braking System and Brake Assist
- Driver and front passenger, front and side/head airbags
- Driver and front passenger seat belt warning
- Servotronic speed-dependent power-assisted steering
- Six lashing eyes (eight for Caddy Maxi Van)

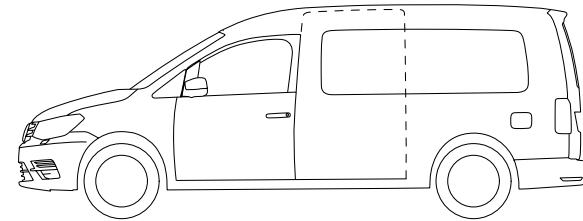
Exterior

- Halogen headlights
- Daytime Running Lights (DRL)
- Sliding door, left, 701mm wide
- Rear barn doors
- Protective side strips
- 15-inch steel wheel (Diesel) / 16-inch steel wheel (Petrol)
- Full sized steel spare wheel

Additional standard equipment on the Caddy Maxi Van

Exterior

- Sliding door, right, 701mm wide
- 470mm longer in comparison to Caddy Van



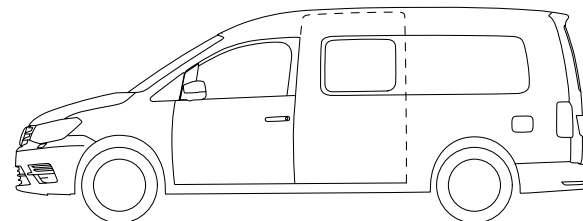
Additional standard equipment on the Caddy Maxi Crewvan

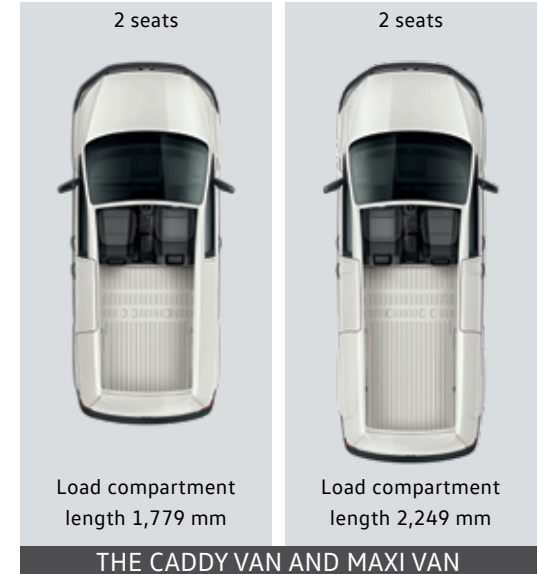
Exterior

- Slide-opening windows in left and right sliding doors

Interior

- 3-seater bench seat in second row, folding, double-folding and removable
- Front passenger seat height adjustment
- Rubber flooring in rear
- 16-inch steel wheel (all models)





Overseas models shown.



Quick and easy loading from all side

Wide sliding door and tail end solutions

Hop in, hop out. Load, unload. The doors of a commercial vehicle are opened and closed repeatedly over the course of a day and are heavily strained in the process. That is why the Caddy is built with hinges, rails and handles that are equal to the most demanding conditions. The low loading sill height and numerous door variants are also a testament to this.

Big, yet compact: The load compartment of the Caddy Van triumphs with its impressive volume and range of loading

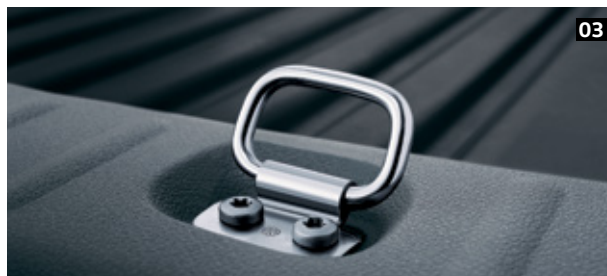
options. Even with the short wheelbase, it offers a load capacity of 3.2 m³, which expands to 4.2 m³ for the Caddy Maxi Van. The level load compartment is accessible through the standard barn doors, or the windowless roof-height sliding door on the front passenger side. Caddy Maxi Van also has a sliding door on the driver's side. Additional sliding doors, a lifting tailgate, and window packages are available as optional extras.



01



02



03



04

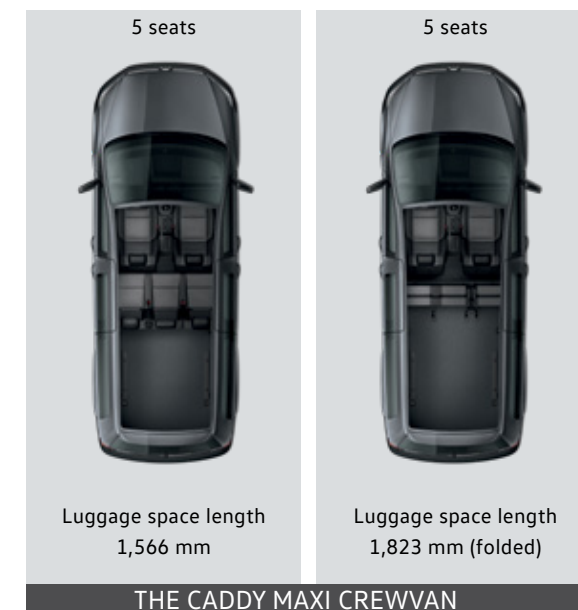


05

Maximum flexibility

The Caddy Maxi Crewvan with up to five seats

Every customer order is different. That is why the Caddy Maxi Crewvan is so flexible. In just a few minutes it can be transformed from a comfortable 5-seater with 1,650L load compartment into a fully-fledged delivery van with 4,130L capacity.



01 All Caddy Vans come standard with rear wing doors and heated rear windows. These are asymmetrically split and can be locked independently.

02 The optional lifting tailgate has a spoiler and is compatible with the optional Rear View Camera (RVC)* package.

03 Lashing eyes. The optional load compartment has six fold-down lashing eyes that are securely mounted to the vehicle floor. The Caddy Maxi Van boasts eight lashing eyes.

04 Closed cab partition. The optional robust partition separates the cab from the load compartment, and provides a high level of passive protection. It is firmly bolted to the vehicle body. Not available for Caddy Maxi Crewvan.

05 Rubber floor. The protective layer made from easy-cleaning plastic is precisely tailored to the contours of the ribbed floor surface. The rubber material also has good insulating and sound dampening properties. A smooth rubber floor is standard for the Caddy Maxi Crewvan and an option for Caddy Van and Caddy Maxi Van.

Appearance package (not illustrated). This package features body coloured front and rear bumpers, door mirrors, door handles and sliding door cover(s). For Caddy Van and Caddy Maxi Van only. Crewvan is available with body coloured bumpers only.

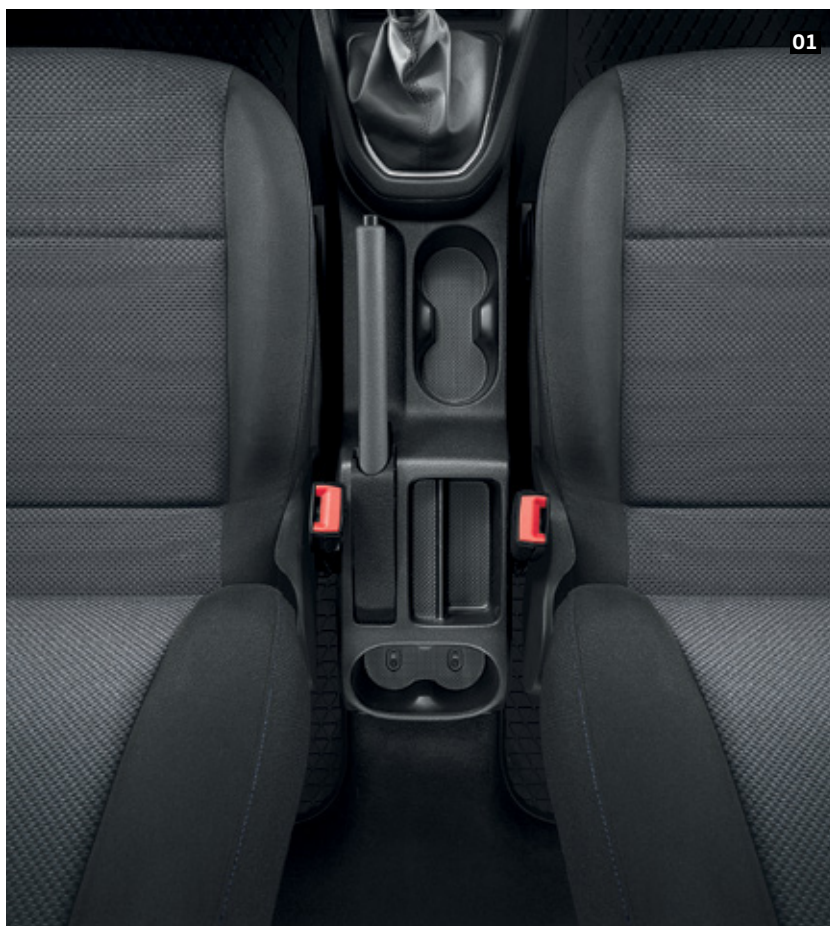


Be perfectly organised for a busy schedule

Practical storage solutions

In your job, every move has to be exactly right. The Caddy Van offers you the support you need, with a storage system made up of several storage compartments and surfaces of varying sizes. Take, for instance, the roof shelf, which extends across the full width of the vehicle, and opens directly above the driver and front passenger seats. Invisible from outside, it offers sufficient space for work gloves, a lunchbox, or a notebook computer. The storage pockets in the doors can hold a 1-litre bottle each, while the centre console is equipped with four cup holders.

The Caddy Van has been thoroughly enhanced – outside and inside. The high-quality finish on the cockpit impresses with its clearly arranged instrument cluster, and easy-grip steering wheel with sporty flat bottom. This can be adjusted to individual preferences, and promotes a natural seating position. Ergonomically designed seats and ample head and leg room, as well as improved interior acoustics contribute to greater overall driving comfort.



01 Seats. The driver's seat features height and lumbar adjustment for all-day comfort. Caddy Maxi Crewvan also has height adjustment for the front passenger seat. All Caddy Van have storage under the front seats.

02 Air conditioning. The semi-automatic air conditioning has an infinite adjustment, so that a pleasant interior temperature can be ensured at all times.

03 Electric windows. The flip switches are comfortably located within easy reach in the armrest on the door interiors, and have a comfort switch with roll-back function.



04 Interior comfort package. This optional upgrade package features height and lumbar adjustment for the front passenger seat, vanity mirrors for both sun visors, a 12V socket on the dashboard and a 'Light & Sight' package.

05 Light & Sight package. Sensors dim the rear view mirror when the lights of the vehicle behind are too bright, and regulate the intervals of the windscreen wipers during rain. The automatic driving light control switches the headlights on automatically when it starts to get dark. The package also features the manual "coming home" and "leaving home" functions. Available in the optional Interior Comfort Package or Driver Assistance Package.

Lockable glove compartment (not illustrated). Documents and valuable items can be kept safe behind the lockable lid, so that they cannot be seen from outside the vehicle. The compartment is equipped with a light.



Take the office with you wherever you go

Advanced connectivity systems

Today, a vehicle is expected to deliver more than it did even just a few years ago. It should still transport materials economically, carry workers from A to B safely, and serve as a comfortable space to take a break. At the same time, it is increasingly being used as an office on wheels. That is why the Caddy is equipped with a range of intelligently designed connectivity options. They allow you to take on new jobs even while on the road, and also assist you in finding the quickest route to your next customer. Your smartphone and tablet can also be connected to the infotainment system if necessary. The optionally available App-Connect[^] system mirrors selected apps on the touch screen of the radio or navigation system, and allows for safe and ergonomic operation of your smartphone's functions.



Overseas model shown.
App-Connect featuring Apple CarPlay®



01 Composition Colour radio system. The system consists of a 12.7 cm (5 inch) TFT colour display with touch screen function, an MP3- and WMA-compatible CD drive, two loudspeakers, an SD card slot, an AUX-IN interface, USB input and a dual tuner with Phase Diversity for optimal radio reception.

02 Composition Media radio system. This optional system consists of a 16.5 cm (6.33 inch) TFT colour display, a touch screen with proximity sensor, an MP3- and WMA-compatible CD drive, four loudspeakers, a dual tuner with Phase Diversity for optimal radio reception, an SD-card slot, an AUX-IN interface, and a USB port. App-Connect[^] is fitted on all vehicles with this system.

03 Discover Media satellite navigation system. In addition to the functions of Composition Media, there is a second integrated SD card slot which is compatible with the SD-card with the map data. Optionally available.

04 App-Connect[^]. Fitted with Composition Media and Discover Media systems, App-Connect lets you integrate your smartphone via a USB port. Compatible with Apple CarPlay®, Android Auto™ and Mirror Link®. Discover Media satellite navigation system displayed.

05 Leather-covered multi-function steering wheel.

It gives you a good grip and is extremely user-friendly. The radio or navigation system, a mobile phone or the cruise control can be controlled using the buttons.

Mobile phone interface. The Bluetooth® interface enables you to make phone calls safely and conveniently during the journey. It can be controlled via the multi-function display or the touch screen display of the radio system.

Multi-function display. It shows current information such as the time, remaining range, outside temperature, and average consumption. In conjunction with the optional navigation system, it also shows directional arrows for convenient navigation.

Digital radio reception (DAB+, not illustrated). The Digital Audio Broadcasting System allows users to have improved reception quality, more choices of stations, song and artist information, news and weather updates and more. Only available in conjunction with optional Composition Media Radio or Discover Media navigation system.



Advanced safety systems

For the the most critical situations

To ensure that every drive ends as stress-free as it begins, the Caddy Van is equipped with various safety systems, which are activated in critical situations as a preventative measure. Part of the onboard standard equipment is the Multi-Collision Braking System. Moments after an accident, the vehicle begins a phased braking action down to 10 km/h in order to prevent secondary collisions. Should an impact nonetheless result, driver, front passenger, and for the first time as standard, side/head airbags provide optimal protection to occupants.



Front Driver and Passenger Airbags. Driver, front passenger and front side/head airbags offer occupants the best possible protection in the event of head-on and side impacts.



Driver Fatigue Detection*. Uses visual and acoustic warning signals to recommend that the driver takes a break as soon as it registers driving behaviour that indicates tiredness.



Anti-Lock Braking System (ABS). Prevents wheel lock and, thus, maintains manoeuvrability.



Brake Assist System. Registers the speed at which the brake pedal is pressed. During a reflexive or emergency braking action, it ensures that full brake pressure is built up more quickly.



Electronic Stabilisation Programme (ESP). It prevents under or over steering via targeted braking of individual wheels.



Traction Control System (TCS). Prevents wheelspin.



Electronic Differential Lock (EDL). Distributes the engine torque to the tyres without slippage.



Hill Start Assist. Prevents the vehicle from rolling back on inclines and makes handling easier when "starting off" on uphill slopes.



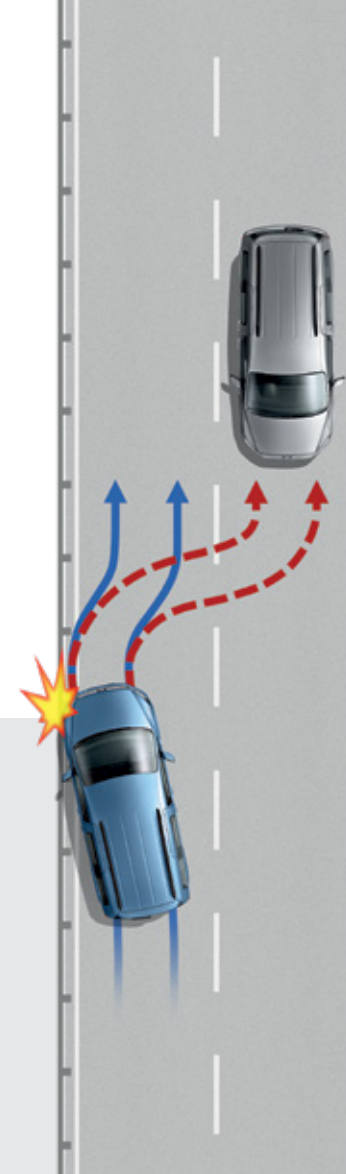
Daytime Running Lights. Switch on automatically when the ignition is activated and lower the risk of an accident in daylight.



Cruise Control incl. speed limiter. As of a speed of 30 km/h, it maintains the desired speed depending on uphill and downhill inclines or limits the top speed to a value selected by the driver.



Seat Belt Warning. If their seat belts are not fastened, the seat belt warning reminds the driver and, for the first time, the front passenger to fasten their belts with a visual warning when the engine has started, and an acoustic warning after setting off.



Multi-Collision Braking System. Triggers braking after a collision, with the aim of preventing secondary collisions.

The Multi-Collision Braking System activates when two independent sensors detect an accident. After a short delay, the vehicle begins a phased braking action down to 10 km/h, during which the driver can take over at any time.

Driver assistance systems

Innovative safety solutions

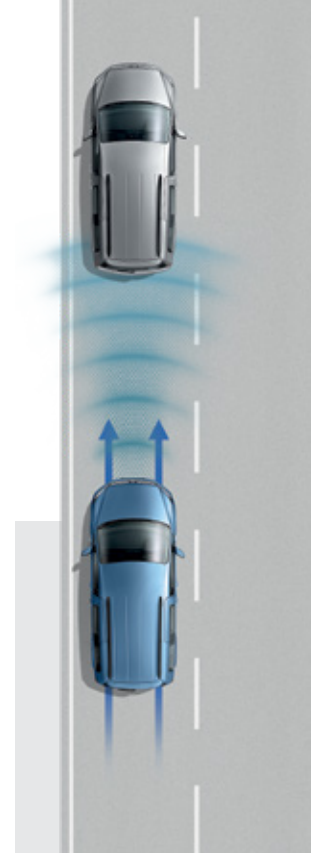
The Caddy Van can be fitted with a range of innovative driver assistance systems on request. These constantly analyse driving behaviour, so as to be able to intervene to assist the driver if necessary. Therefore, you and your passengers have even greater comfort on the road.



Rear Park Distance Control*. Emits audible warnings when obstacles are detected behind the vehicle when parking, and also provides a visual display of the vehicle's distance from the obstacles E.g. distance from obstacles (Discover Media shown).



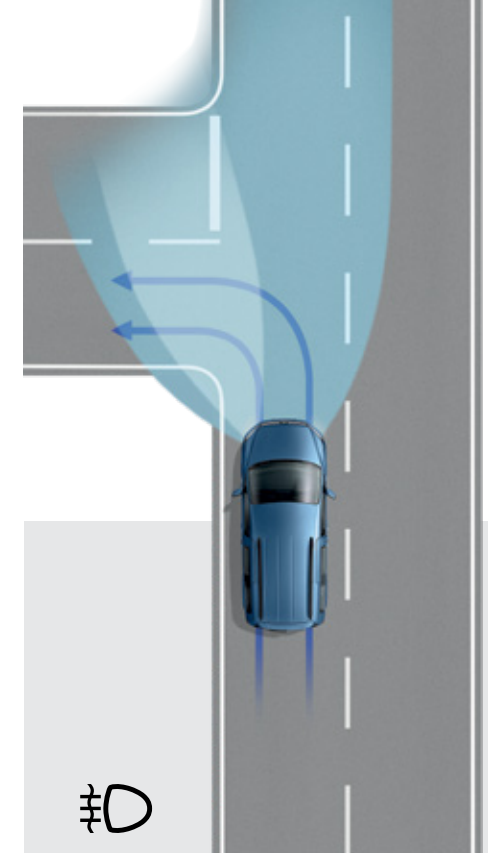
Rear View Camera (RVC)*. Simplifies parking by showing a limited view of the area behind the vehicle on the display of the radio or navigation system. Additional static guidelines facilitate the parking process. The optional reversing camera is only available in combination with the tailgate (Discover Media shown).



Front Assist with City Emergency Braking*

Uses a radar system to detect situations where the distance to the vehicle in front is critical, and reduces the vehicle's stopping distance. In dangerous situations, the system alerts the driver by means of visual and acoustic signals, and with a warning jolt of the brakes. Standard across the range.

Adaptive Cruise Control (ACC)*. Automatically adapts the vehicle's speed to that of the vehicle driving in front and maintains the distance set by the driver. At the same time, it remains within the set speed. With the optional Driver Assistance Package only.



Fog lights with integrated static cornering light. Ensures optimal visibility in poor weather conditions. The headlight nearest to the corner illuminates the roadside when turning. With the optional Driver Assistance Package 1 only.



Lane Keep Assist*. Countersteers if a lane is left unintentionally while alerting the driver at the same time by using a warning tone and information in the multifunction display. With the optional Driver Assistance Package 2.

*Safety technologies are designed to assist the driver, but should not be used as a substitute for safe driving practices.

Consumes less. Performs better

Advanced engines with advanced performance

The 1.4L TSI220 petrol engine delivers 92kW of power or 220Nm of torque; the 2.0L TDI250 diesel engine delivers 75kW of power or 250Nm of torque. Equipped with BlueMotion Technology as standard, they are designed to meet the toughest emission standards while achieving exceptional fuel efficiency.

All engines have accurate injection processes under high pressure, considerable tractive power even at low revs, resulting in low running and maintenance costs over the entire life cycle. Both engines can be combined with the dual clutch DSG gearbox.



Intelligent savings with BlueMotion Technology.

Significant reduction in fuel consumption thanks to numerous innovations.



Volkswagen Commercial Vehicles with BlueMotion Technology as standard are in line with the “Think Blue” concept: to develop fuel-efficient vehicles that place less burden on the environment over their entire lifetime – from material production up to end-of-life recycling. This is achieved through BlueMotion Technology measures, which noticeably lower fuel consumption and sustainably reduce CO₂ emissions.

Start/stop system[^]. The system helps you to drive economically, and switches off the engine when in neutral. This can reduce fuel consumption especially in urban traffic or stop-and-go situations.

Regenerative braking (recuperation). Frictional energy is stored during braking, and converted into electrical energy by a generator. This is then stored in the car battery and available for electricity consumption and acceleration.

[^]The Start/Stop system is designed to reduce fuel consumption and CO₂ emissions. It achieves this by automatically switching off the engine while the vehicle is stationary and then starting it again automatically when the driver wants to drive off. There are certain operating conditions where the Start/Stop system is deactivated (e.g. during engine warm-up), please refer to the owner’s manual for full operating information.



Caddy Van overseas model shown.

Technical Specification

Engine	1.4 litre TSI BlueMotion Technology		2.0 litre TDI BlueMotion Technology					
Type	4 cylinder inline turbocharged direct injection petrol with engine Start/Stop system^		4 cylinder Common Rail/exhaust-gas turbocharger with Stop/Start system^					
Max power, kW @ rpm	92 @ 4,800		75 @ 2,900 – 4,000					
Max torque, Nm @ rpm	220 @ 1,500-3,500		250 @ 1,300 – 2,800					
Cubic capacity, litres/cc	1,395		1,968					
Bore/stroke, mm	74.5 x 80		81.0 x 95.5					
Compression ratio	10.5 : 1		16.2:1					
Fuel type (recommended)	Premium unleaded 95 RON minimum		Diesel, min. 51 CZ in accordance with DIN 590					
Transmission	6 speed manual	7 Speed Direct Shift Gearbox (DSG) with sport mode and Tiptronic function	6 Speed Dual Clutch Gearbox (DSG) with sport mode and Tiptronic function					
Driven wheels	Front Wheel Drive	Front Wheel Drive	Front Wheel Drive					
Fuel consumption**								
Combined / Urban / Extra Urban, L/100km	6.2 / 7.6 / 5.3	6.0 / 7.0 / 5.4	5.3 / 6.0 / 4.9					
Fuel tank capacity, L	55	55	55					
Weights	SWB Van	SWB Van	Maxi Van	Maxi Van	Maxi Van	Maxi Crewvan	Maxi Crewvan	Maxi Crewvan
	TSI220 DSG	TDI250 DSG	TSI220 Manual	TSI220 DSG	TDI250 DSG	TSI220 Manual	TSI220 DSG	TDI250 DSG
Gross Vehicle Weight (GVM), kg	2,095	2,141	2,227	2,255	2,326	2,222	2,249	2,329
Unladen Mass ¹ , kg	1,322	1,401	1,385	1,415	1,493	1,494	1,524	1,610
Payload ² maximum, kg	773	740	842	840	833	728	725	719
Front / Rear axle load limit, kg	1,050 / 1,230	1,100 / 1,230	1,050 / 1,300	1,050 / 1,300	1,175 / 1,300	1,150 / 1,250	1,150 / 1,250	1,200 / 1,230
Roof Load (kg)	100	100	100	100	100	100	100	100
Towing Capacity, kg#								
Braked	1,300	1,400	1,300	1,300	1,400	—	—	—
Unbraked	630	700	630	630	700	—	—	—
Towbar Load Limit, kg	100	100	100	100	100	—	—	—
Dimensions	SWB Van		Maxi Van			Maxi Crewvan		
Seating capacity	2		2			5 (2 + 3)		
Cargo Volume (L) – behind 1st row	3,200		4,200			4,130		
Cargo Volume (L) – 2nd row folded forward	—		—			3,950		
Cargo Volume (L) – behind 2nd row	—		—			1,650		
Sliding Door Width / Height (mm)	701 (w) / 1,097 (h)		701 (w) / 1,092 (h)			701 (w) / 1,084 (h)		
Tailgate Width / Height (mm)	1,183 (w) / 1,134 (h)		1,183 (w) / 1,134 (h)			1,183 (w) / 1,134 (h)		
Load Sill Height (mm)	577		588			581		
Turning Circle (m)	11.1		12.2			12.2		

Full vehicle specifications are available at www.volkswagen.com.au

^The Start/Stop system is designed to reduce fuel consumption and CO2 emissions. It achieves this by automatically switching off the engine while the vehicle is stationary and then starting it again automatically when the driver wants to drive off. There are certain operating conditions where the Start/Stop system is deactivated (e.g. during engine warm-up), please refer to the owner's manual for full operating information.

**Fuel consumption figures according to ADR 81/02 derived from laboratory testing. Factors including but not limited to driving style, road and traffic conditions, environmental influences, vehicle condition and accessories fitted, will in practice in the real world lead to figures which generally differ from those advertised. Advertised figures are meant for comparison amongst vehicles only.

1. The Unladen Mass (UM) includes 10L of fuel, vehicle fluids and no occupants. Figures quoted are for base model vehicles only.

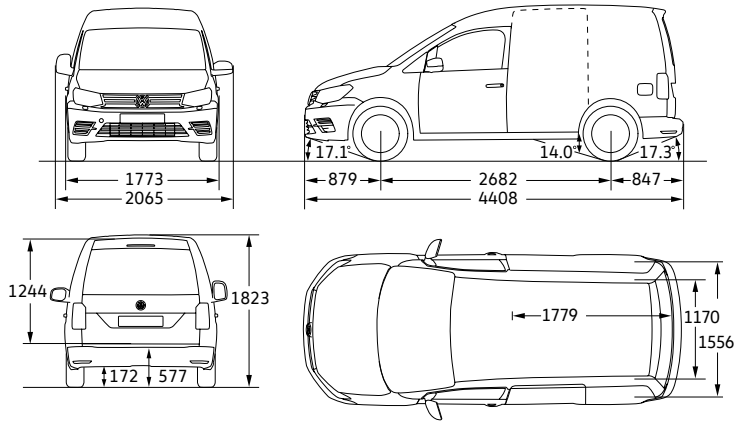
2. Payload figures determined by subtracting 'Unladen Weight' from total 'Gross Vehicle Mass' (GVM). A vehicle's final payload, given the different configurations, can only be determined by weighing the individual vehicle and comparing to the known GVM. Figures quoted are for base model vehicles only.

#When fitted with Volkswagen Genuine Tow Bar. Towing capacities are applicable to Volkswagen Genuine Accessory Tow Bar. Towing capacity figures are maximum figures and actual towing capacity depends on factors including the laden mass of the vehicle, driving conditions and fitment of any accessories. Volkswagen Group Australia does not endorse or will not be held liable for any claim, loss or damage arising from the use or fitment of electronic trailer brakes.

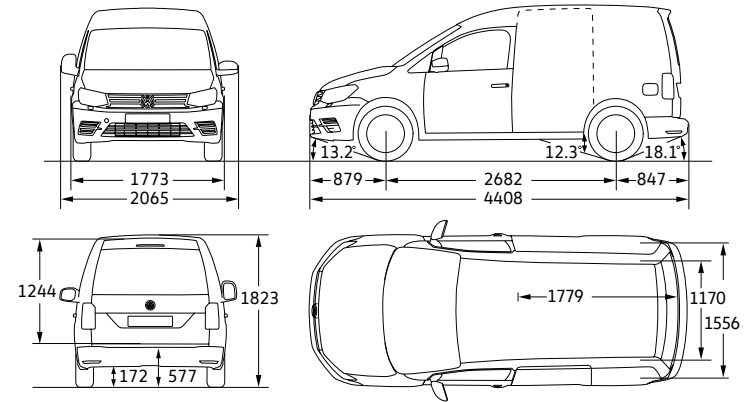
Dimensions

All dimensions shown in mm.

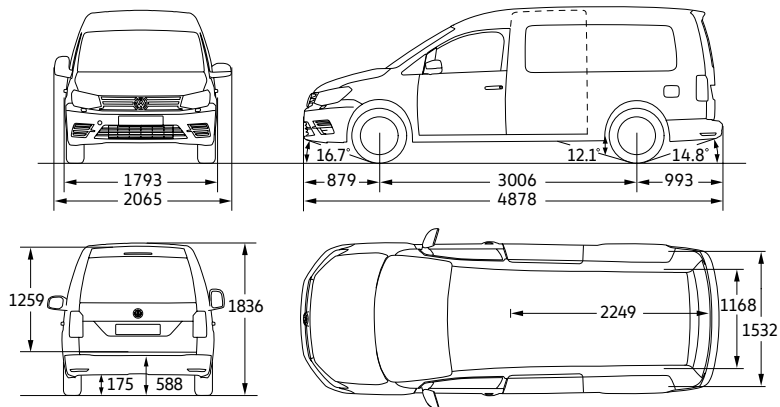
Caddy SWB Van - Petrol (TSI)



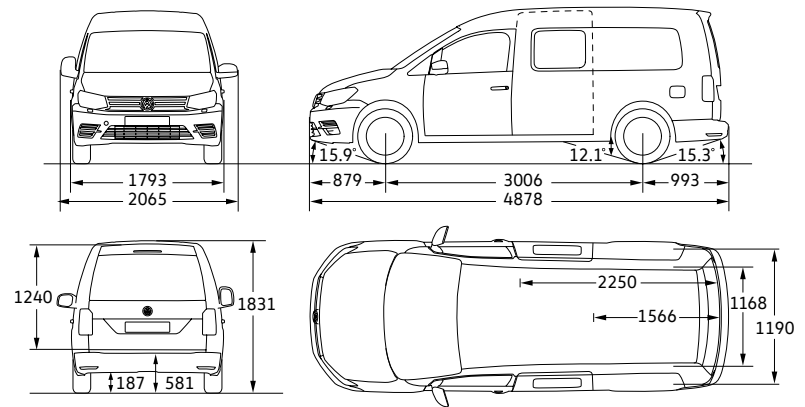
Caddy SWB Van - Diesel (TDI)



Caddy Maxi Van



Caddy Maxi Crewvan



Wheels



15" alloy wheel - CALOUNDRA.
Optional for Caddy Van and Maxi Van TDI Diesel



16" alloy wheel - BENDIGO.
Optional for Caddy Van and Maxi Van

Volkswagen Accessories

The Caddy is a highly versatile compact van that leaves nothing to be desired. If you would like to have a few extras, Volkswagen Accessories offers interesting additional equipment options. These have been developed in cooperation with our Development and Design department, provide top quality, and are only available at your Volkswagen dealer. So everything fits nicely together.

- 01** Cargo barrier.
- 02** Commercial roof bars.
- 03** Towbar*.
- 04** Mudflaps.
- 05** Roof bars.
- 06** Rubber floor mats.
- 07** Slimline weathershields.



Please note that the above accessories may have an effect on fuel efficiency. Overseas models are shown for illustrative purposes only. For a full range of genuine accessories please refer to the model specific accessories tab at www.volkswagen.com.au
*Towbar is only available for Caddy Van and Caddy Maxi Van; it is not available for Caddy Maxi Crewvan.

Solid paint finishes



Candy White | Solid paint finish | B4B4



Pure Grey | Solid paint finish | J2J2



Cherry Red | Solid paint finish | 4B4B



Luminous Orange | Solid paint finish | E3E3

Metallic and Pearl Effect finishes



Reflex Silver | Metallic paint finish | 8E8E



Mojave Beige | Metallic paint finish | 1B1B



Indium Grey | Metallic paint finish | X3X3



Chestnut Brown | Metallic paint finish | H4H4



Deep Black Pearl | Metallic paint finish | 2T2T



Acapulco Blue | Metallic paint finish | 2W2W



Starlight Blue | Metallic paint finish | 3S3S



Bamboo Garden Green | Metallic paint finish | 3T3T

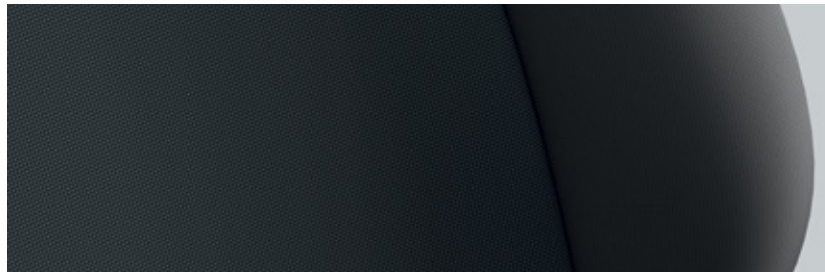


Sandstorm Yellow | Metallic Paint | 9U9U

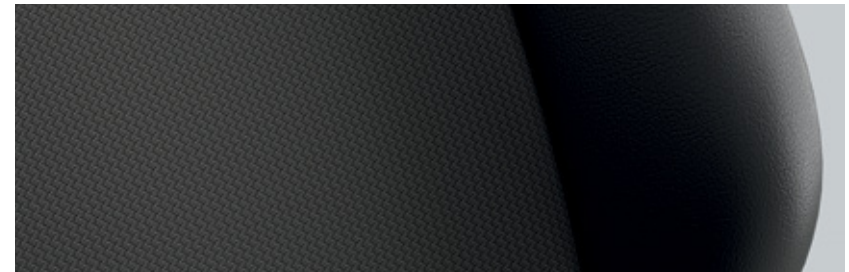


Fortana Red | Metallic paint finish | I9I9

Seat upholstery



Austin | Cloth seat upholstery | Titanium Black



Mesh | Leatherette seat upholstery* | Titanium Black | Optionally available

Please note that Metallic and Pearl Effect paint are optional at extra cost. The print process does not allow for exact reproduction of the exterior or the upholstery colours. Please contact your Volkswagen Dealer for further information on colours and upholstery combinations.
*Leatherette consists wholly of artificial leather.

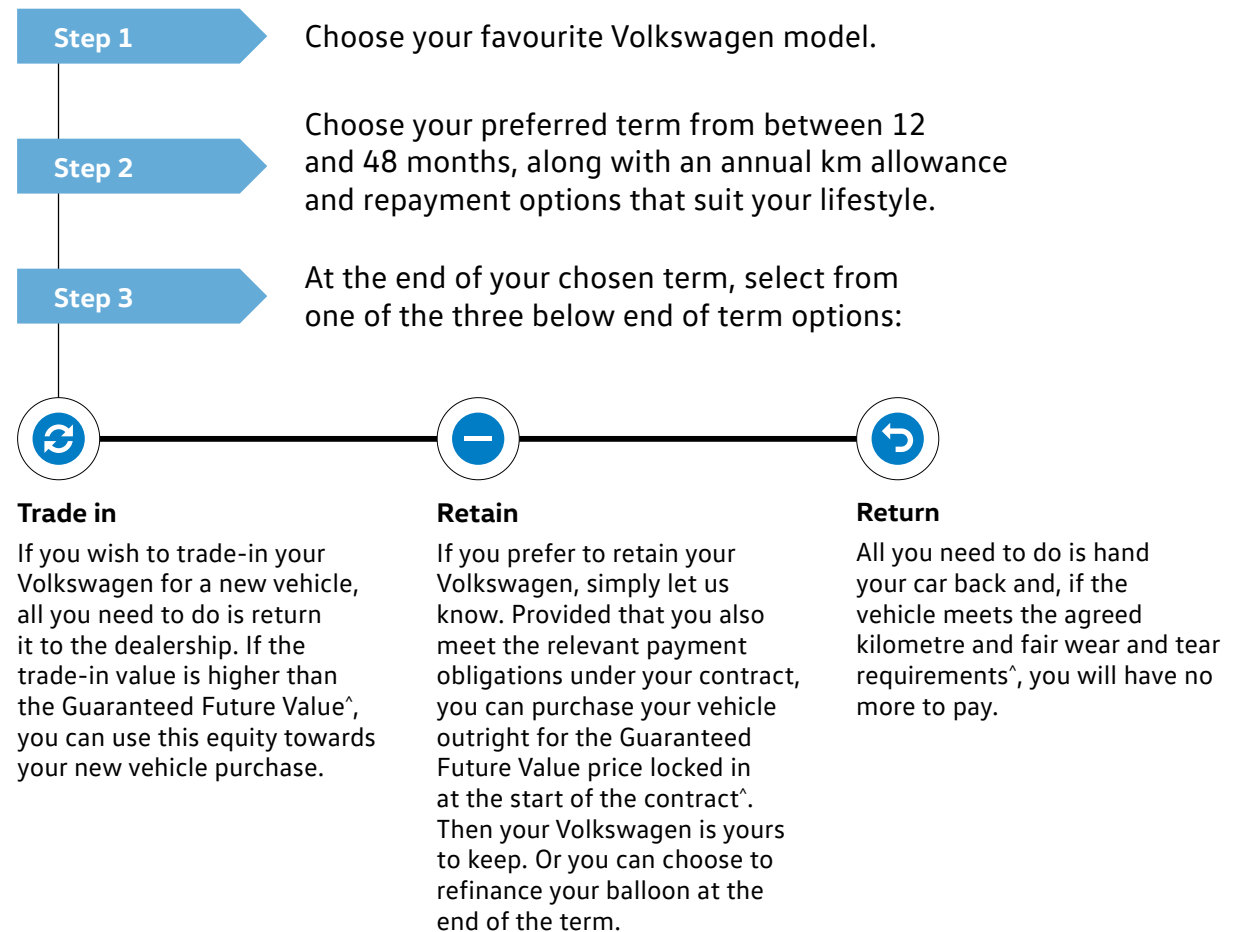
Volkswagen Choice

Volkswagen Choice

Guaranteed Future Value

Naturally we understand that your Volkswagen represents a valuable investment, so we understand that you want to maintain it in premium condition. Volkswagen Choice[^] is a finance program tailored to the requirements of Volkswagen owners by providing assurance around your Volkswagen's future value[^], whilst offering simple monthly instalment financing options.

Whether you are selecting your new Volkswagen for business or personal use, you can choose the contract term that best suits your requirements. Enjoy the confidence that comes from having locked in a minimum value up front to be attributed to your vehicle at the end of your contract[^]. There are also no account keeping fees with a fixed interest rate.



[^]The Volkswagen Choice Program consists of an option to return the vehicle to Volkswagen Financial Services (VFS)** at the end of the term and require VFS to purchase the vehicle at price known as the Guaranteed Future Value (GFV) as determined by VFS. At the end of the term, you can elect to: (1) trade-in the vehicle; (2) exercise the option to return the vehicle; or (3) retain the vehicle by paying the GFV, which is a lump sum owed to VFS at the end of the loan term after all repayments have been made. You will be liable for any loan contract deficit and additional charges, if you exceed the nominated kilometre allowance and/or the vehicle is not in an acceptable condition. Available on new and demonstrator Volkswagen vehicles for selected models. Contact your nearest Volkswagen dealer to verify eligible vehicles for this program. Fleet, government, rental buyers, hire car and chauffeur companies excluded.

**VFS is trading name of Volkswagen Financial Services Pty Ltd ABN 20 097 071 460, Australian Credit Licence 389344.

Peace of Mind



5 years

Unlimited Kilometre Warranty

At Volkswagen, we pride ourselves on the highest quality standards that come with German engineering.

We back this commitment with a 5 year unlimited kilometre warranty on all new Volkswagen vehicles*.



1 year

Roadside Assist

Every new Volkswagen comes with a 1 year Roadside Assist membership[^].

That's 24 hour roadside assistance, emergency accommodation, car rental and towing as well as property and other assistance, all included for added peace of mind.



Volkswagen

Care Plans

Volkswagen Care Plans[†] have you covered for your first 3 or 5 scheduled services, providing you significant savings off the total Assured Service Pricing RRP. It's convenient, hassle-free scheduled servicing easily available for purchase at your local Volkswagen Dealer.



Assured

Service Pricing

Assured Service Pricing[#] gives you the transparency of knowing how much your service will cost up front.

Our Volkswagen Dealers have access to the latest diagnostic equipment and tools. Plus, they use Volkswagen Genuine Parts[®] to ensure your Volkswagen stays a Volkswagen.

You're in safe hands at your Volkswagen Dealer when it comes to servicing.

*Conditions and exclusions apply, see <https://www.volkswagen.com.au/en/owners/warranty.html>. Your rights under this warranty are provided in addition to, and in some cases overlap with, consumer guarantees under the Australian Consumer Law and do not limit or replace them.

[^]Volkswagen Roadside Assist is provided by AWP Australia Pty Ltd ABN 52 097 227 177 trading as Allianz Global Assistance, under an arrangement with Volkswagen Group Australia Pty Limited ABN 14 093 117 876. Conditions and exclusions apply, see <https://www.volkswagen.com.au/en/owners/roadside-assist.html>.

[†]Volkswagen Care Plans are available at participating Volkswagen Dealers for all models and covers standard items as contained in each scheduled service interval only. These Care Plans can only be purchased prior to the first scheduled service and up to 22,500 km/15 months (whichever occurs first) for all models except Volkswagen Crafter models, which is 30,000 km/15 months (whichever occurs first). The timeframe takes effect from when the vehicle is first reported in our system as 'sold'. Discount structure varies by model. For details of what is not included in a scheduled service, please refer to the program terms and conditions available here: <https://www.volkswagen.com.au/en/owners/volkswagen-care-plans.html>

[#]Assured Service Pricing applies to the first 5 standard scheduled services of your vehicle which are scheduled to occur at every 15,000 km/12 month interval (whichever occurs first) or for Volkswagen Crafter models only, 20,000 km/12 month interval (whichever occurs first). On or before 31 December each year, Volkswagen will publish the maximum price for a specified Scheduled Service that will be applicable from, and remain fixed for, the following calendar year only. For details on the Eligible Model List, pricing, items not included and for full terms and conditions, please see <https://au.volkswagen.com.au/service-pricing-guide>.

The Caddy Van

Volkswagen Group Australia Pty Ltd
24 Muir Road Chullora NSW 2190
ABN 14 093 117 876

Printed in Australia
March 2020
www.volkswagen.com.au

Publication: VWCCADVANMY20

Important information

Apple CarPlay® is a registered trademarks of Apple Inc. Android Auto™ is a registered trademark of Google Inc. MirrorLink® is a registered trademark of Car Connectivity Consortium LLC. Bluetooth® is a registered trademark of Bluetooth SIG Inc.

Volkswagen is distributed by Volkswagen Group Australia Pty Ltd (ABN 14 093 117 876) of 24 Muir Road Chullora, NSW 2190. Specifications are as planned at October 2019, for Model Year 2020 and are subject to change without notice or obligation. All information in this brochure are correct at the time of publication, however variations may occur from time to time and Volkswagen, in so far as it is permitted by law to do so, shall not be liable in any way as a result of any reliance by any person on anything contained in this brochure. Authorised Volkswagen Dealers will provide up-to-date information on model application, design feature, prices, and availability on request.

Your Volkswagen dealer.



Commercial
Vehicles

The Caddy Van Specifications

Features and Specifications

Safety and Security	SWB Van	Maxi Van	Maxi Crewvan
Airbags			
Front airbag for driver and front passenger	●	●	●
Side/head airbags for driver and front passenger	●	●	●
Seat belts			
3-point seat belts with height adjustment and belt tensioners for driver and front passenger	●	●	●
3-point seat belts in 2nd row of seats, outer seats with seat belt tensioners	—	—	●
Seat belt warning light and buzzer for driver and front passenger seats	●	●	●
Brakes and Traction Control			
Multi-Collision Brake (MCB)	●	●	●
Electronic Stabilisation Programme (ESP)	●	●	●
Anti-Lock Braking System (ABS)	●	●	●
Brake Assist (BA)	●	●	●
Traction Control System (TCS)	●	●	●
Electronic Differential Lock (EDL)	●	●	●
Extended Electronic Differential Lock (XDL)	●	●	●
Hill Hold Control	●	●	●
Driver Assistance Technology*			
Driver Fatigue Detection	●	●	●
Rear Park Distance Control, with acoustic warning	●	●	●
Rear view camera system (requires lifting tailgate)	○	○	○
Forward Collision Warning "Front Assist" with City Emergency Braking (City EB)	●	●	●
Adaptive Cruise Control (ACC)	○	○	○
Active Lane Keep Assist* (with Premium Multi-Function Display)	○	○	○
Lighting			
Halogen headlights (H4)	●	●	●
Headlight range adjustment	●	●	●
Daytime Running Lights (DRL)	●	●	●
High stop light	●	●	●
Rear fog light	●	●	●
Xenon Headlights and LED Daytime Running Lights	○	○	○
Locking			
Engine immobiliser (electronic)	●	●	●
Central locking system with radio remote control and interior release mechanism	●	●	●
Two (2) remote control folding keys	●	●	●
Head Restraints			
Front safety optimised head restraints, height adjustable	●	●	●
Rear head restraints, height adjustable (3)	—	—	●

*Safety technologies are not a substitute for the driver's responsibility of the vehicle.

Exterior Equipment / Styling	SWB Van	Maxi Van	Maxi Crewvan
Doors			
Sliding door, left, in load/passenger compartment	●	●	●
Sliding door, right, in load/passenger compartment	○	●	●
Rear wing doors with windows, asymmetrically split	●	●	●
Lifting tailgate with window and rear spoiler	○	○	○
Windows			
Heat-insulating windshield made of laminated glass	●	●	●
Heat-insulating glass (green)	●	●	●
Windscreen wiper intermittent control	●	●	●
Heated rear window(s) with wiper/washer system	●	●	●
Power windows with comfort operation and circuit breaker (front)	●	●	●
Side window (fixed) in sliding door, left	—	○	—
Side window (fixed) in sliding door, right	—	○	—
Side windows (slide opening) in left and right sliding doors	—	—	●
Body Enhancements			
Black bumpers	●	●	●
Body coloured bumpers	—	—	○
Black exterior mirror housings and door handles (without sliding door cover)	●	●	●
Black side protective strips	●	●	●
Black grained radiator grille with 1 decorative chrome molding	●	●	●
Roof rack mounting points (per side)	3	4	4
Trailer hitch preparation	○	○	—
Wheels and Tyres			
15" steel wheel with centre wheel trim - 195/65 R15 95T tyres	● (Diesel only)	● (Diesel only)	—
16" steel wheel with centre wheel trim - 205/55 R16 94H tyres	● (Petrol only)	● (Petrol only)	●
4 x 15" alloy wheels - CALOUNDRA - 195/65 R15 95T tyres	○ (Diesel only)	○ (Diesel only)	—
4 x 16" alloy wheels - BENDIGO - 205/55 R16 94H tyres	○	○	—
Steel spare wheel - full size, OE tyre	●	●	●
Tool kit with vehicle jack	●	●	●
Comfort and Convenience			
Air Conditioning			
Air conditioning system, manual	●	●	●
Dust and pollen filter	●	●	●
Cruise Control			
Cruise Control, including speed limiter	●	●	●
Floor Covering			
Rubber floor covering in cab	●	●	●
Rubber floor covering in load/passenger compartment	—	—	●
Plastic floor covering in load area	○	○	—

● Standard ○ Optional Extra — Not available

Comfort and Convenience

In-Car Entertainment and Technology

Composition Colour audio system

5" colour touch screen display, AM/FM radio with phase diversity tuner, CD player (MP3/WMA compatible), AUX and SD card slot, external USB input, and two (2) speakers. Car menu with convenience and service settings. Includes display for park distance control (if fitted).

Composition Media audio system with App-Connect[^]

6.33" colour touch screen display with proximity sensor, AM/FM radio, CD player (MP3/WMA compatible), SD card slot, external AUX and USB inputs, and four (4) speakers. Car menu with convenience and service settings. Includes display for park distance control (if fitted). App-Connect USB interface for Apple CarPlay[®], Android Auto[™] and Mirror Link[®] in front centre console.

Discover Media audio and satellite navigation system with App-Connect[^]

6.33" colour touch screen display with proximity sensor, AM/FM radio, CD player (MP3/WMA compatible), 2 x SD card slots for music and navigation data, external AUX and USB inputs, and four (4) speakers. 2D and 3D (bird's eye) map views. Car menu with convenience and service settings. Includes display for park distance control (if fitted). App-Connect USB interface for Apple CarPlay[®], Android Auto[™] and Mirror Link[®] in front centre console.

Bluetooth[®] phone connectivity with contacts display and Bluetooth[®] audio streaming, operation via touch screen audio unit or Multi-Function Display

Audio, telephone, cruise control and Multi-Function Display controls mounted on steering wheel

Digital Radio Reception (DAB+)*

Instrumentation

Speedometer & tachometer, electronic odometer and trip meter, service interval display, fuel and coolant gauges, low fuel warning light, adjustable illumination

Multi-Function Display (MFD Plus) - trip time, trip length, average and current speed, average and current fuel consumption, display until empty and ambient temperature, digital clock, vehicle status, audio, telephone and navigation (if fitted) menus

Interior Lighting

LED Reading lights, front

LED Roof light in load compartment

Load Compartment

Lashing rings for load restraint

Hardboard side trim panels

12-volt socket

Partition (high) without window (removes dimming breakaway interior rear view mirror)

Mirrors

Commercial vehicle exterior mirrors (left: convex, right: aspherical)

Exterior mirrors, power adjustable and heated

Dimming breakaway interior rear view mirror

Power Steering

Servotronic (electro-mechanical speed-sensitive power steering)

SWB Van

Maxi Van

Maxi Crewvan



6



8



6



—



[^]App-Connect is compatible for selected apps with the latest smartphone versions of iOS and Android, active data service, and connection cable (sold separately).

*Only available in conjunction with Composition Media Radio or Discover Media navigation system.

Comfort and Convenience

Seating

	SWB Van	Maxi Van	Maxi Crewvan
Height adjustment for driver's seat	●	●	—
Height adjustment for both front seats	—	—	●
Lumbar support (manually adjustable) for driver's seat	●	●	●
Backrest release for front seat	—	—	●
3-seater bench in 2nd row of seats (folding, folding/tipping, removable)	—	—	●
Cloth seat covering "Austin"	●	●	●
Leatherette seat covering "Mesh"	○	○	○
Grab handles for driver and front passenger	●	●	●

Steering Wheel

3 spoke leather covered flat bottom steering wheel	●	●	●
Audio, telephone, cruise control and Multi-Function Display controls mounted on steering wheel	●	●	●
Steering wheel height and tilt adjustment	●	●	●

Storage

Storage compartment under front seats	●	●	—
Drawers under front seats	—	—	●
Centre console with 4 cup holders (2 front and 2 rear)	●	●	●
Roof shelf above front seats	●	●	●
Front door pockets	●	●	●
Front sunvisors with ticket holder	●	●	●
Illuminated glove compartment with lockable lid	●	●	●
Central upper storage compartment (open)	●	●	●
Open storage compartment above glovebox	●	●	●
Open storage compartment in front of gear lever	●	●	●
Ashtray, portable	●	●	●

Body Builder Items

Stronger Battery and stronger Alternator	○ (Petrol only)	○ (Petrol only)	○ (Petrol only)
Stronger Alternator	○ (Diesel only)	○ (Diesel only)	○ (Diesel only)
Internal Electrical Interface	○	○	○

*Leatherette consists wholly of artificial leather.

Optional Packages	SWB Van	Maxi Van	Maxi Crewvan
Driver Assistance Package*			
Adaptive Cruise Control (ACC) - with "Stop & Go" function for DSG only Front fog lights with static cornering function Light and Vision system: auto dimming inside rear view mirror; automatic headlight activation with separate daytime running lights, "Leaving Home" and manual "Coming Home" function; rain sensing wipers	○	○	○
Interior Comfort Package			
Light and Vision system: auto dimming inside rear view mirror; automatic headlight activation with separate daytime running lights, "Leaving Home" and manual "Coming Home" function; rain sensing wipers Height adjustment for front passenger's seat (standard for Crewvan) Lumbar support (manually adjustable) for front passenger's seat Vanity mirrors for left and right sun visors 12-volt socket in dashboard	○	○	○
Appearance Package			
Body coloured bumpers Body coloured side protective strips Body coloured exterior mirror housings, door handles, and sliding door cover (black rear door handles)	○	○	—
Window Package (for rear wing doors)			
Side windows (fixed) at front of load area Side windows (fixed) at rear of load area	○	○	—
Window Package (including Lifting Tailgate)			
Lifting tailgate with window and spoiler Side windows (fixed) at front of load area Side windows (fixed) at rear of load area	○	○	—
Window Package			
Side windows (fixed) at rear of load area	—	—	○

*Safety technologies are not a substitute for the driver's responsibility of the vehicle.

Technical Specifications

Engine	1.4 litre TSI BlueMotion Technology		2.0 litre TDI BlueMotion Technology
Type	4 cylinder inline turbocharged direct injection petrol with engine Start/Stop system^		4 cylinder Common Rail/exhaust-gas turbocharger with Stop/Start system^
Max power, kW @ rpm	92 @ 4,800		75 @ 2,900 – 4,000
Max torque, Nm @ rpm	220 @ 1,500-3,500		250 @ 1,300 – 2,800
Cubic capacity, litres/cc	1,395		1,968
Bore/stroke, mm	74.5 x 80		81.0 x 95.5
Compression ratio	10.5 : 1		16.2:1
Fuel type (recommended)	Premium unleaded 95 RON minimum		Diesel, min. 51 CZ in accordance with DIN 590
Transmission	6 speed manual	7 Speed Direct Shift Gearbox (DSG) with sport mode and Tiptronic function	6 Speed Dual Clutch Gearbox (DSG) with sport mode and Tiptronic function
Driven wheels	Front Wheel Drive	Front Wheel Drive	Front Wheel Drive
Fuel consumption**			
Combined, L/100km	6.2	6.0	5.3
Urban, L/100km	7.6	7.0	6.0
Extra Urban, L/100km	5.3	5.4	4.9
Fuel tank capacity, L	55	55	55
Running Gear			
Suspension			
Front Axle	MacPherson strut with double wishbone and anti-roll bar		
Rear Axle	Rigid rear axle on leaf springs with load-dependent damper and anti-roll bar		
Reinforced Rear Suspension	Optionally available. Recommended for vehicles which regularly carry over 180kg (SWB) / 200kg (Maxi Van)		
Steering	Electro-mechanical power-assisted rack & pinion steering		
Brake systems	Anti-lock Braking System (ABS) with Electronic Brake-Pressure Distribution (EBD), Brake Assist and Electronic Stabilisation Program (ESP). Brake Energy Recuperation.		
Brakes	Power assisted Hydraulic	Power assisted Hydraulic	Power assisted Hydraulic
Front	Ventilated Disc (288mm)	Ventilated Disc (312mm)	Ventilated Disc (312mm)
Rear	Disc (272mm)	Disc (272mm)	Disc (272mm)

^The Start/Stop system is designed to reduce fuel consumption and CO₂ emissions. It achieves this by automatically switching off the engine while the vehicle is stationary and then starting it again automatically when the driver wants to drive off. There are certain operating conditions where the Start/Stop system is deactivated (e.g. during engine warm-up), please refer to the owner's manual for full operating information.

** Fuel consumption figures according to ADR 81/02 derived from laboratory testing. Factors including but not limited to driving style, road and traffic conditions, environmental influences, vehicle condition and accessories fitted, will in practice in the real world lead to figures which generally differ from those advertised. Advertised figures are meant for comparison amongst vehicles only.

Weights and capacities

	SWB Van	SWB Van	Maxi Van	Maxi Van	Maxi Van	Maxi Crewvan	Maxi Crewvan	Maxi Crewvan
	TSI220 DSG	TDI250 DSG	TSI220 Manual	TSI220 DSG	TDI250 DSG	TSI220 Manual	TSI220 DSG	TDI250 DSG
Weights								
Gross Vehicle Weight (GVM), kg	2,095	2,141	2,227	2,255	2,326	2,222	2,249	2,329
Unladen Mass ¹ , kg	1,322	1,401	1,385	1,415	1,493	1,494	1,524	1,610
Payload ² maximum, kg	773	740	842	840	833	728	725	719
Front axle load limit, kg	1,050	1,100	1,050	1,050	1,175	1,150	1,150	1,200
Rear axle load limit, kg	1,230	1,230	1,300	1,300	1,300	1,250	1,250	1,230
Roof Load (kg)	100	100	100	100	100	100	100	100
Towing Capacity, kg								
Braked [‡]	1,300	1,400	1,300	1,300	1,400	—	—	—
Unbraked	630	700	630	630	700	—	—	—
Towbar Load Limit, kg	100	100	100	100	100	—	—	—
Exterior Dimensions								
Wheelbase (mm)	2,682	2,682	3,006	3,006	3,006	3,006	3,006	3,006
Vehicle Length (mm)	4,408	4,408	4,878	4,878	4,878	4,878	4,878	4,878
Vehicle Width (mm) excluding mirrors	1,773	1,793	1,793	1,793	1,793	1,793	1,793	1,793
Vehicle Width (mm) including mirrors	2,065	2,065	2,065	2,065	2,065	2,065	2,065	2,065
Vehicle Height (mm)	1,823	1,823	1,836	1,836	1,836	1,831	1,831	1,831
Front Overhang (mm)	879	879	879	879	879	879	879	879
Rear Overhang (mm)	847	847	993	993	993	993	993	993
Ground Clearance (mm)	172	175	187	187	175	187	187	187
Slope Angle – Front (degrees)	17.1	13.2	16.7	16.7	16.7	15.9	15.9	15.9
Slope Angle – Rear (degrees)	17.3	18.1	14.8	14.8	14.8	15.3	15.3	15.3
Ramp Angle (degrees)	14.0	12.3	12.1	12.1	12.1	12.1	12.1	12.1
Turning Circle (m)	11.1	11.1	12.2	12.2	12.2	12.2	12.2	12.2
Interior								
Seating capacity	2	2	2			5 (2 + 3)		
Cargo Volume (L) – behind 1st row	3,200	3,200	4,200			4,130		
Cargo Volume (L) – 2nd row folded forward	—	—	—			3,950		
Cargo Volume (L) – behind 2nd row	—	—	—			1,650		
Load Compartment Length (mm) – behind 1st row	1,779	1,779	2,249			2,250		
Load Compartment Length (mm) – 2nd row folded forward	—	—	—			1,823		
Load Compartment Length (mm) – behind 2nd row	—	—	—			1,566		
Load Compartment Width (mm) – maximum	1,556	1,556	1,532			1,190		
Load Compartment Width (mm) – at wheel arches	1,170	1,170	1,168			1,168		
Load Compartment Height (mm)	1,244	1,244	1,259			1,240		
Sliding Door Width (mm)	701	701	701			701		
Sliding Door Height (mm)	1,097	1,097	1,092			1,084		
Tailgate Width (mm)	1,183	1,183	1,183			1,183		
Tailgate Height (mm)	1,134	1,134	1,134			1,134		
Load Sill Height (mm)	577	547	588			581		

* Please note, Volkswagen Group Australia does not endorse or will not be held liable for any claim, loss or damage arising from the use or fitment of electronic trailer brakes.

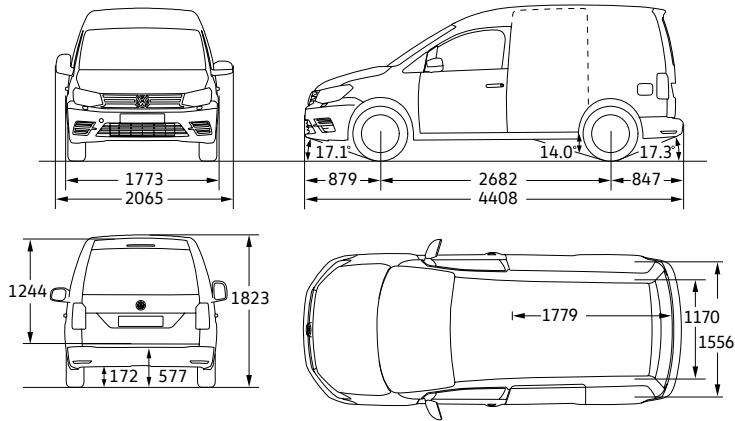
● Standard ○ Optional Extra — Not available

1. The Unladen Mass (UM) includes 10L of fuel, vehicle fluids and no occupants. Figures quoted are for base model vehicles only. 2. Payload figures determined by subtracting 'Unladen Weight' from total 'Gross Vehicle Mass' (GVM). A vehicle's final payload, given the different configurations, can only be determined by weighing the individual vehicle and comparing to the known GVM. Figures quoted are for base model vehicles only.

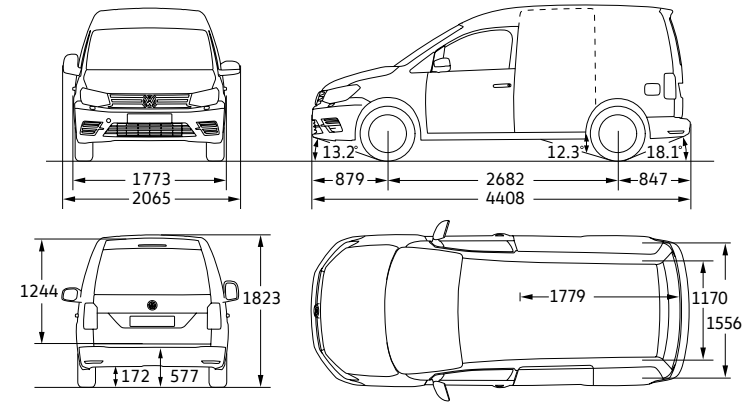
Dimensions

All dimensions shown in mm.

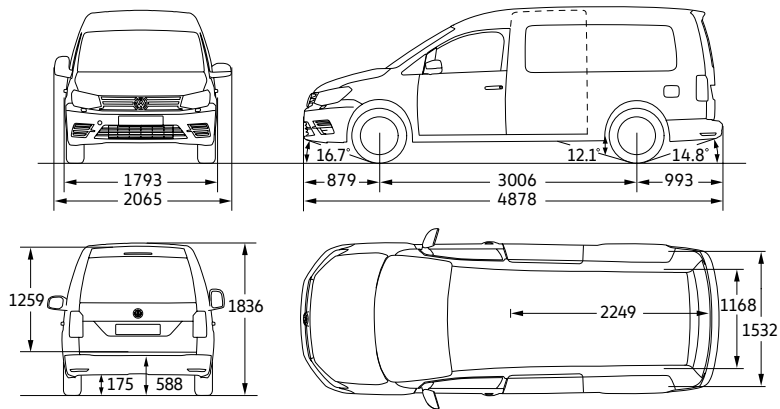
Caddy SWB Van - Petrol (TSI)



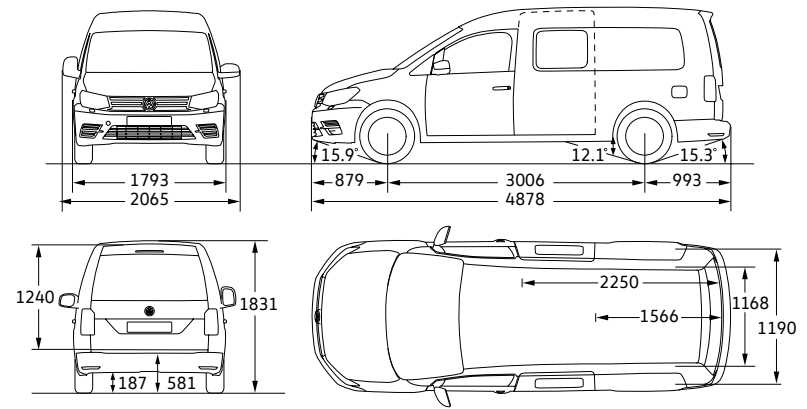
Caddy SWB Van - Diesel (TDI)



Caddy Maxi Van



Caddy Maxi Crewvan



Wheels



15" alloy wheel - CALOUNDRA.
Optional for Caddy Van and Maxi Van TDI Diesel



16" alloy wheel - BENDIGO.
Optional for Caddy Van and Maxi Van

Solid paint finishes



Candy White | Solid paint finish | B4B4



Pure Grey | Solid paint finish | J2J2



Cherry Red | Solid paint finish | 4B4B



Luminous Orange | Solid paint finish | E3E3

Metallic and Pearlescent finishes



Reflex Silver | Metallic paint finish | 8E8E



Mojave Beige | Metallic paint finish | 1B1B



Indium Grey | Metallic paint finish | X3X3



Chestnut Brown | Metallic paint finish | H4H4



Deep Black Pearl | Metallic paint finish | 2T2T



Acapulco Blue | Metallic paint finish | 2W2W



Starlight Blue | Metallic paint finish | 3S3S



Bamboo Garden Green | Metallic paint finish | 3T3T

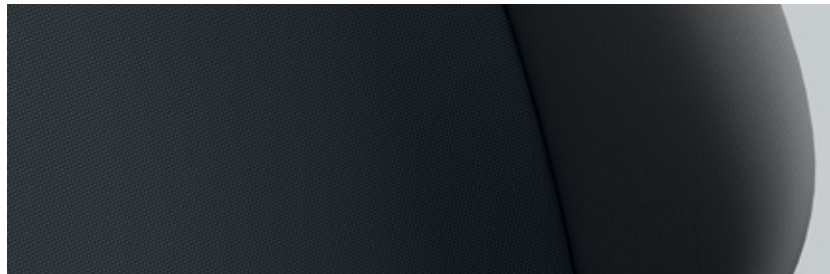


Sandstorm Yellow | Metallic paint finish | 9U9U

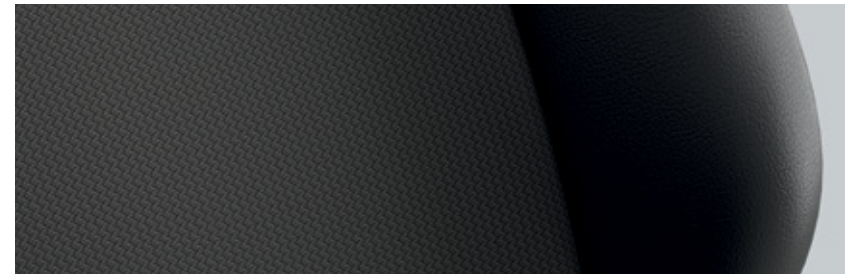


Fortana Red | Metallic paint finish | 1919

Seat upholstery



Austin | Cloth seat upholstery | Titanium Black



Mesh | Leatherette seat upholstery* | Titanium Black | Optionally available

Please note that Metallic and Pearl Effect paint are optional at extra cost. The print process does not allow for exact reproduction of the exterior or the upholstery colours. Please contact your Volkswagen Dealer for further information on colours and upholstery combinations.
*Leatherette consists wholly of artificial leather.

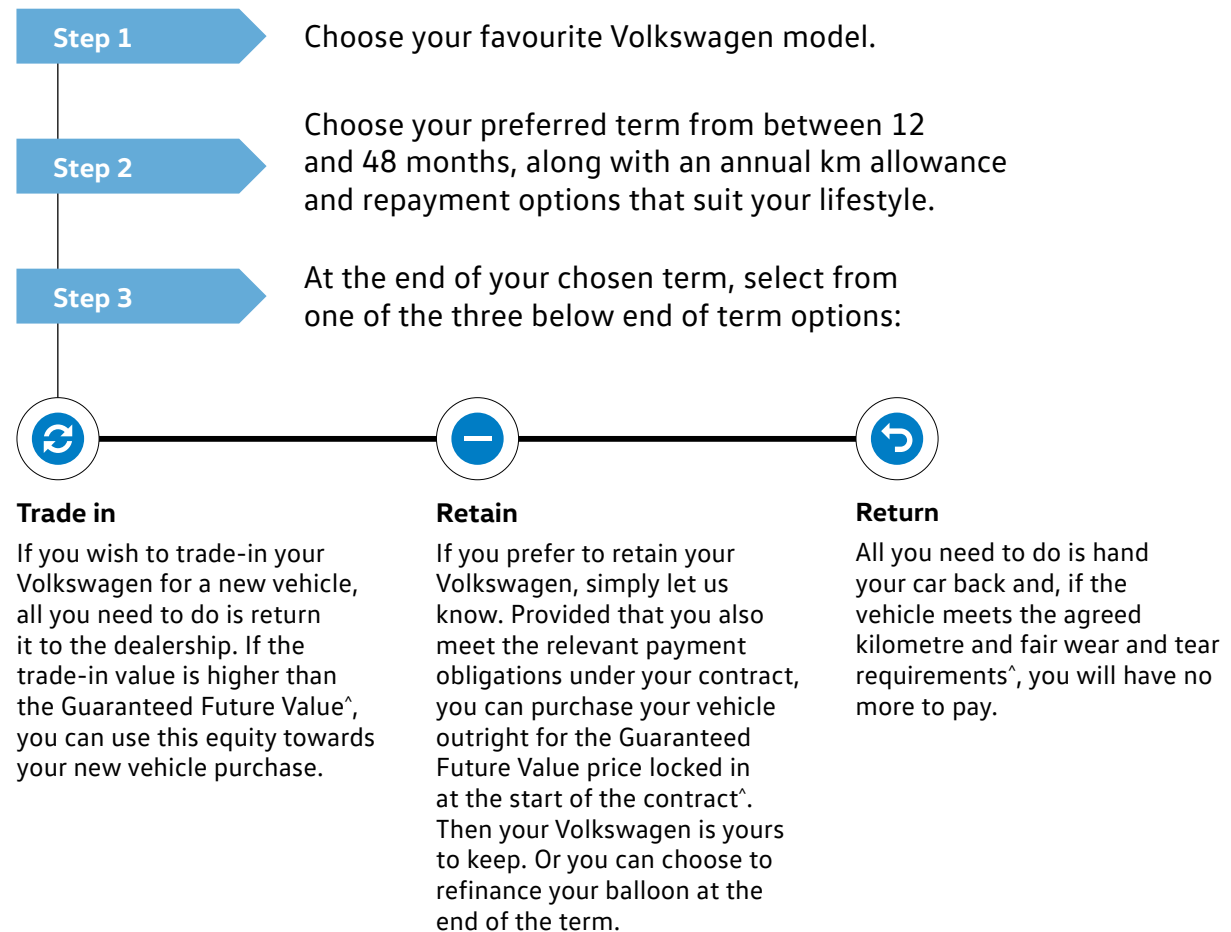
Volkswagen Choice

Volkswagen Choice

Guaranteed Future Value

Naturally we understand that your Volkswagen represents a valuable investment, so we understand that you want to maintain it in premium condition. Volkswagen Choice[^] is a finance program tailored to the requirements of Volkswagen owners by providing assurance around your Volkswagen's future value[^], whilst offering simple monthly instalment financing options.

Whether you are selecting your new Volkswagen for business or personal use, you can choose the contract term that best suits your requirements. Enjoy the confidence that comes from having locked in a minimum value up front to be attributed to your vehicle at the end of your contract[^]. There are also no account keeping fees with a fixed interest rate.



[^]The Volkswagen Choice Program consists of an option to return the vehicle to Volkswagen Financial Services (VFS)** at the end of the term and require VFS to purchase the vehicle at price known as the Guaranteed Future Value (GFV) as determined by VFS. At the end of the term, you can elect to: (1) trade-in the vehicle; (2) exercise the option to return the vehicle; or (3) retain the vehicle by paying the GFV, which is a lump sum owed to VFS at the end of the loan term after all repayments have been made. You will be liable for any loan contract deficit and additional charges, if you exceed the nominated kilometre allowance and/or the vehicle is not in an acceptable condition. Available on new and demonstrator Volkswagen vehicles for selected models. Contact your nearest Volkswagen dealer to verify eligible vehicles for this program. Fleet, government, rental buyers, hire car and chauffeur companies excluded.

**VFS is trading name of Volkswagen Financial Services Pty Ltd ABN 20 097 071 460, Australian Credit Licence 389344.

Peace of Mind



5 years

Unlimited Kilometre Warranty

At Volkswagen, we pride ourselves on the highest quality standards that come with German engineering.

We back this commitment with a 5 year unlimited kilometre warranty on all new Volkswagen vehicles*.



1 year

Roadside Assist

Every new Volkswagen comes with a 1 year Roadside Assist membership[^].

That's 24 hour roadside assistance, emergency accommodation, car rental and towing as well as property and other assistance, all included for added peace of mind.



Volkswagen

Care Plans

Volkswagen Care Plans[†] have you covered for your first 3 or 5 scheduled services, providing you significant savings off the total Assured Service Pricing RRP. It's convenient, hassle-free scheduled servicing easily available for purchase at your local Volkswagen Dealer.



Assured

Service Pricing

Assured Service Pricing[#] gives you the transparency of knowing how much your service will cost up front.

Our Volkswagen Dealers have access to the latest diagnostic equipment and tools. Plus, they use Volkswagen Genuine Parts[®] to ensure your Volkswagen stays a Volkswagen.

You're in safe hands at your Volkswagen Dealer when it comes to servicing.

*Conditions and exclusions apply, see <https://www.volkswagen.com.au/en/owners/warranty.html>. Your rights under this warranty are provided in addition to, and in some cases overlap with, consumer guarantees under the Australian Consumer Law and do not limit or replace them.

[^]Volkswagen Roadside Assist is provided by AWP Australia Pty Ltd ABN 52 097 227 177 trading as Allianz Global Assistance, under an arrangement with Volkswagen Group Australia Pty Limited ABN 14 093 117 876. Conditions and exclusions apply, see <https://www.volkswagen.com.au/en/owners/roadside-assist.html>.

[†]Volkswagen Care Plans are available at participating Volkswagen Dealers for all models and covers standard items as contained in each scheduled service interval only. These Care Plans can only be purchased prior to the first scheduled service and up to 22,500 km/15 months (whichever occurs first) for all models except Volkswagen Crafter models, which is 30,000 km/15 months (whichever occurs first). The timeframe takes effect from when the vehicle is first reported in our system as 'sold'. Discount structure varies by model. For details of what is not included in a scheduled service, please refer to the program terms and conditions available here: <https://www.volkswagen.com.au/en/owners/volkswagen-care-plans.html>

[#]Assured Service Pricing applies to the first 5 standard scheduled services of your vehicle which are scheduled to occur at every 15,000 km/12 month interval (whichever occurs first) or for Volkswagen Crafter models only, 20,000 km/12 month interval (whichever occurs first). On or before 31 December each year, Volkswagen will publish the maximum price for a specified Scheduled Service that will be applicable from, and remain fixed for, the following calendar year only. For details on the Eligible Model List, pricing, items not included and for full terms and conditions, please see <https://au.volkswagen.com.au/service-pricing-guide>.

The Caddy Van

Volkswagen Group Australia Pty Ltd
24 Muir Road Chullora NSW 2190
ABN 14 093 117 876

March 2020
www.volkswagen.com.au

Publication: VWCCADVANSPECMY20

Your Volkswagen dealer.

Important information

Apple CarPlay® is a registered trademark of Apple Inc. Android Auto™ is a registered trademark of Google Inc. MirrorLink® is a registered trademark of Car Connectivity Consortium LLC. Bluetooth® is a registered trademark of Bluetooth SIG Inc.

Volkswagen is distributed by Volkswagen Group Australia Pty Ltd, 24 Muir Road, Chullora, NSW 2190, ABN 14 093 117 876. Specifications are as planned at October 2019, for Model Year 2020 and are subject to change without notice or obligation. All information in this brochure is correct at the time of publication, however variations may occur from time to time and Volkswagen, in so far as it is permitted by law to do so, shall not be liable in any way as a result of any reliance by any person on anything contained in this brochure. Authorised Volkswagen dealers will provide up-to-date information on model application, design feature, prices and availability on request. All colours are a general guide only, as the printing process cannot reproduce the actual exterior colour appearance. See your dealer to confirm colour/model availability.