

# The Crafter Box Body



Commercial  
Vehicles



# Made to **move more**

Function and comfort packed into one

For anything you need to move, you need a vehicle you can trust. So, we've partnered with conversion specialists, Ingimex, to bring you exactly that. Tough and versatile, the new Crafter Box Body is based on the multi-award-winning Volkswagen Crafter and designed to the latest European standards to bring you functionality and comfort packed into one.

Packed with features, the new Box Body has everything you need to be your office on wheels. Complete with 3 seats and a 17m<sup>3</sup> load volume in the rear box, you can transport your team, gear and an impressive amount of freight with ease. Plus, with a range of customisable options, you can create the perfect vehicle for your lifestyle. With the choice of a powerful TDI340 or TDI410 engine, optional 4Motion drive for all-terrain jobs and a GVM of 3.55t or 4t, the Crafter Box Body is a vehicle to meet your every need.

# Lifting the **benchmark**

## Standard features for the Crafter Box Body

### Interior

- "ergoActive" suspension seat for driver including longitudinal and height adjustment, electrical 4-way adjustable lumbar support, two adjustable armrests, massage function and suspension which softens unpleasant bumps caused by poor road conditions
- 2-seater front passenger bench seat with storage tray incl. 2 (two) cup holders and storage underneath
- LED lights in drivers and passenger cabin
- Drivers compartment storage system including overhead storage
- Four (4) 12 volt sockets
- Rubber flooring in the drivers cabin

### Exterior

- Halogen headlights
- Separate Daytime Running Lights (DRL)
- 16" silver steel wheels with full sized steel spare wheel, tool kit and jack
- Side reflectors
- Heavy-duty suspension system and shock absorption, reinforced heavy-duty stabilisers
- Reinforced front axle (2100kg)
- Body with lightweight sides and bulkhead with no visible fixings, perfect for signwriting / livery
- Bolted rear frame, dip painted and powder coated to resist corrosion
- High-strength shutter with no external cables and smooth finish suitable for livery
- Rear footstep
- Unique four-tier load restraint system for dek lashing, standard load lock lashing or for use with telescopic load poles
- Reinforced bottom plank to protect against movement of unsecured loads
- Full height grab handle with integrated 360° rotating spot lamp with load compartment

### Functional

- Composition Colour 6.5" radio system with USB input and Bluetooth®
- App-Connect<sup>^</sup>
- Bluetooth® phone and audio streaming capability
- Multi-function steering wheel with audio controls, telescopic adjustment
- Cruise control with speed limiter
- Electronic immobilizer
- Electromechanical power steering
- Central locking with remote control
- Power windows and heated exterior mirrors
- Manual Climatic air-conditioning system within driver and passenger cabins
- Stop/start system with generative braking
- Customer Specific Function Control Unit
- Trailer wiring preparation

### Safety and Driver Assist Systems

- Front Assist with City Emergency Brake\*
- Driver Fatigue Detection\*
- Multi-Collision Brake (MCB)
- Driver and front passenger front, side and curtain airbags
- Rear View Camera\*
- Hill Hold Assist
- Driver seat belt warning
- Adaptive Electronic Stabilisation Programme (ESP)
- Electronic Differential Lock (EDL)
- Traction Control System (TCS)
- Anti-lock Braking System and Brake Assist
- Acoustic reverse warning system





### Interior

- Leather steering wheel
- Heated driver seat
- Comfort seat "Plus" - Front Passenger (replacing 2-seater bench with one single seat)
- "ergoActive" suspension seat - Front Passenger (replacing 2-seater bench with one single seat)

### Functional

- Discover Media infotainment system with 8" colour touchscreen with satellite navigation, with proximity sensor and USB/AUX/SD input
- Tire Pressure Monitoring System
- First aid kit, warning triangle, safety vest and warning light
- Battery with increased capacity
- AGM battery and alternator with increased capacity

### Exterior

- Black 16" steel wheels
- LED headlamps with separate LED Daytime Running Light
- Treadline styling package
- DEL DL500G Column Mounted Lifting Tailgate 815mm with 500kg Lifting Capacity

### Safety and Driver Assist Systems

- **Driver Assistance Package 1**
- Fog Lights with cornering function, 'Light and Sight' windshield wiper intermittent control with light and rain sensor and separate daytime running light with automatic headlight control, 'Leaving Home' function and manual 'Coming Home' function
- **Driver Assistance Package Chassis**
- Adaptive Cruise Control (ACC)\*
- **Driver Assistance Package 4Motion**
- Mechanical Differential Lock\* and Hill Descent Assist\*

Optional accessories at extra cost. Please note that the above accessories may have an effect on fuel efficiency. For a full range of options available, contact an authorised Volkswagen Dealer.  
\*Safety technologies are designed to assist the driver, but should not be used as a substitute for safe driving practices.

# Smooth Operation

Fully Automatic. Powerful. Durable. Designed & Developed Specifically for Commercial Use



The Crafter Box Body comes standard with an 8-speed automatic with torque converter transmission, coupled with either a 2.0L TDI340 turbo (340Nm, 103kW), or a TDI410 bi-turbo (410Nm, 130kW) engine. Developed and calibrated especially for the Crafter's specific driving characteristics, you can enjoy great response even under load, as well as the highest performance and durability requirements.

This combination also features:

- Bluemotion technology. This is the inclusion of a stop/start system and regenerative braking as standard.
- Stop/Start system~. This switches off the engine when stationary to help you drive more economically.
- Regenerative braking (recuperation). Frictional energy is stored during braking and converted into electrical energy. This is then stored in the car battery for electric consumption and acceleration.

The Crafter Box Body is available in both FWD and 4Motion drive concepts to provide solutions for all terrains, situations and scenarios. Both the FWD and 4Motion all-wheel drive offer a transversely mounted engine, with the 4Motion benefiting from distribution of the drive power between front and rear axle for optimum traction in any weather and on any surface.

~The Start/Stop system is designed to reduce fuel consumption and CO<sub>2</sub> emissions. It achieves this by automatically switching off the engine while the vehicle is stationary and then starting it again automatically when the driver wants to drive off. There are certain operating conditions where the Start/Stop system is deactivated (e.g. during engine warm-up), please refer to the Owner's Manual for full operating information.

# Everything you need on the road

Spacious and comfortable for all, the Crafter Box Body boasts a smooth, ergonomic design to make any drive feel effortless

The Crafter Box Body has your back in more ways than one with the luxurious 14-way adjustable ErgoActive suspension driver's seat as standard. Not only does this offer a massage function and cushioned suspension for those long trips, but also electrical lumbar support, 2 armrests and fully adjustable backrests and size adjustment. For the rest of your team, the 2-seater passenger bench comfortably seats two adults, also offering an additional workspace in the folding storage tray. Plus, with underneath storage, there's plenty of room for everyone in your new mobile office.

Fitted with state-of-the-art infotainment systems, you can also feel more connected than ever before. Using the 6.5-inch touchscreen Composition system, you can navigate with ease, link your device via Bluetooth® or USB-C and even connect to your compatible apps through App-Connect^, compatible with Apple Carplay® and Android Auto™.

And if you're looking for a little more, you can upgrade to the 8-inch Discover Media colour touchscreen display. This optional upgrade isn't just a bigger screen, it also includes proximity sense, a built-in satellite navigation system, 32GB media storage and voice control for handsfree commands.



Image shown for illustrative purposes only and varies from standard MY22 specification.

^App-Connect is compatible for selected apps with the latest smartphone versions of iOS and Android, active data service, and connection cable (sold separately).



# Playing it safe

Prepared to handle almost any situation

The Crafter Box Body is your constant companion. And it always plays it safe. Standard safety systems such as the Front Assist with City Emergency Brake\*, Driver Fatigue Detection\*, Multi-Collision Braking and six airbags support the driver & passengers and help to keep everyone safe.

**Driver Fatigue Detection\*.** Uses visual and audible warning signals to recommend that the driver takes a break as soon as it registers driving behaviour that indicates fatigue. | S |

**Seatbelt warning.** Visual warning when the engine is started and an audible warning is emitted, if the driver's seatbelt is not fastened. | S |

**Airbags.** Front, side and curtain airbags provide the best possible protection in the event of head-on or side impacts. | S |

**Cruise Control with speed limiter.** At 30km/h and above, the system maintains the set speed throughout uphill and downhill inclines when activated. | S |

**Anti-lock Braking System (ABS).** Prevents the wheels from locking and thereby maintains manoeuvrability. | S |

**Electronic Stabilisation Program (ESP).** Standard feature that prevents under- and over-steering through targeted braking of the individual wheels. | S |

**Traction Control Systems (TCS).** Prevents wheels from spinning excessively. | S |

**Electronic Differential Lock (EDL).** Distributes the engine torque to the tyres without slippage. | S |

**Rear View Camera (RVC)\*.** Simplifies parking by showing a limited view of the area behind the vehicle on the display of the radio. Additional guidelines help the driver manoeuvre into the space. | S |

**Multi-Collision Braking.** Triggers braking after a collision, with the aim of preventing secondary crashes, activated when two independent sensors detect an accident. After a short delay, the vehicle begins a phased braking action down to 10 km/h, during which the driver can take over at any time. | S |

**Electromechanical power steering.** The speed-dependent steering with active reset improves your driving feeling and safety and achieves steering precision. | S |

**Hill Hold Assist.** This prevents the vehicle from rolling back on inclines, making it easier to start off on uphill slopes. | S |

**Front Assist with City Emergency Braking\*.** Uses a radar system to detect situations where the distance to the vehicle in front is critical and reduces the vehicle's stopping distance. In dangerous situations, the system alerts the driver using visual and acoustic signals, and with a warning jolt of the brakes. | S |

Image shown for illustrative purposes only and varies from standard MY22 specification.

\*Safety technologies are designed to assist the driver, but should not be used as a substitute for safe driving practices.

# Colours, Upholstery and Wheels

## Solid paint finishes



Candy White | Solid paint finish | B4B4



Cherry Red | Solid paint finish | 4B4B



Luminous Orange | Solid paint finish | E3E3



Deep Ocean Blue | Solid paint finish | OPOP

## Metallic and Pearlescent paint finishes



Reflex Silver | Metallic paint finish | 8E8E



Indium Grey | Metallic paint finish | X3X3



Deep Black | Pearlescent paint finish | 2T2T

## Seat upholstery



Austin | Cloth seat upholstery | Titanium Black

## Wheels



16" steel wheel (Silver)  
Standard



16" steel wheel (Black)  
Optional

Full vehicle specifications are available at [www.volkswagen.com.au](http://www.volkswagen.com.au)

Please note that Metallic and Pearl Effect paint are optional at extra cost. The print process does not allow for exact reproduction of the exterior or the upholstery colours. Please contact your Volkswagen Dealer for further information on colours and upholstery combinations.

# Technical Specifications

| Engine                    | 2.0 litre TDI340 BlueMotion with engine Stop/Start system~ and brake energy recovery   | 2.0 litre TDI410 BlueMotion with engine Stop/Start system~ and brake energy recovery |   |
|---------------------------|--|--|---|
| Type                      | 4-cylinder diesel engine, common rail turbo direct injection   |  | 4-cylinder diesel engine, common rail bi-turbo direct injection |
| Max Power, kW @ rpm       | 103 @ 3,500  | 130 @ 3,600  | 130 @ 3,600   |
| Max Torque, Nm @ rpm      | 340 @ 2,000  | 410 @ 2,000  | 410 @ 2,000   |
| Cubic Capacity, litres/cc | 2.0 / 1,968  | 2.0 / 1,968  | 2.0 / 1,968   |
| Bore/stroke, mm           | 81.0 x 95.5  | 81.0 x 95.5  | 81.0 x 95.5   |
| Fuel Type                 | Diesel, min. 51 CZ in accordance with DIN EN 590   |  |   |
| Fuel tank capacity, L     | 75   | 75   | 75  |
| Compression Ratio         | 15.5 : 1   | 15.5 : 1   | 15.5 : 1  |
| Brake Systems             | Anti-lock Braking System (ABS) with Electronic Brake-pressure distribution (EBD), Brake Assist and Electronic Stabilisation Program (ESP), Brake energy recuperation |  |   |
| Suspension Upgrades       | Optionally available   |  |   |
| Steering                  | Electro-mechanical power-assisted rack & pinion steering   |  |   |
| <b>Transmission</b>       | <b>Front Wheel Drive</b>   | <b>Front Wheel Drive</b>   | <b>4 Motion</b>   |
| 8-speed automatic         | o  | o  | o   |
| <b>Brakes</b>             |  |  |   |
| Front disc brakes, mm     | 303 x 28 ventilated  | 303 x 28 ventilated  | 303 x 28 ventilated   |
| Rear disc brakes, mm      | 300 x 22 ventilated  | 300 x 22 ventilated  | 300 x 22 ventilated   |

# Weights and Capacities

|   | TDI340 FWD 3.55t GVM | TDI340 FWD 4.0t GVM | TDI410 FWD 3.55t GVM | TDI410 FWD 4.0t GVM | TDI410 4Motion 4.0t GVM |
|---|----------------------|---------------------|----------------------|---------------------|-------------------------|
| <b>Weights &amp; Payloads</b>                 |                      |                     |                      |                     |                         |
| Gross Vehicle Mass (GVM), kg                  | 3,550                | 4,000               | 3,550                | 4,000               | 4,000                   |
| Unladen Weight <sup>1</sup> , kg (automatic)  | 2,505                | 2,535               | 2,514                | 2,544               | 2,651                   |
| Payload Maximum <sup>2</sup> , kg (automatic) | 1,045                | 1,465               | 1,036                | 1,456               | 1,349                   |
| Kerb Mass, kg                                 | 2,553                | 2,583               | 2,562                | 2,592               | 2,699                   |
| Front axle load limit, kg                     | 2,100                | 2,100               | 2,100                | 2,100               | 2,100                   |
| Rear axle load limit, kg                      | 2,380                | 2,380               | 2,380                | 2,380               | 2,380                   |
| <b>Towing<sup>3</sup></b>                     |                      |                     |                      |                     |                         |
| Towing Capacity - Braked, kg                  | 2,500                | 2,500               | 2,500                | 2,500               | 2,500                   |
| Towing Capacity - Unbraked, kg                | 750                  | 750                 | 750                  | 750                 | 750                     |
| Towing Downball Load, kg                      | 150                  | 150                 | 150                  | 150                 | 150                     |

Full vehicle specifications are available at [www.volkswagen.com.au](http://www.volkswagen.com.au)

o Optional

~The Start/Stop system is designed to reduce fuel consumption and CO2 emissions. It achieves this by automatically switching off the engine while the vehicle is stationary and then starting it again automatically when the driver wants to drive off. There are certain operating conditions where the Start/Stop system is deactivated (e.g. during engine warm-up), please refer to the Owner's Manual for full operating information.

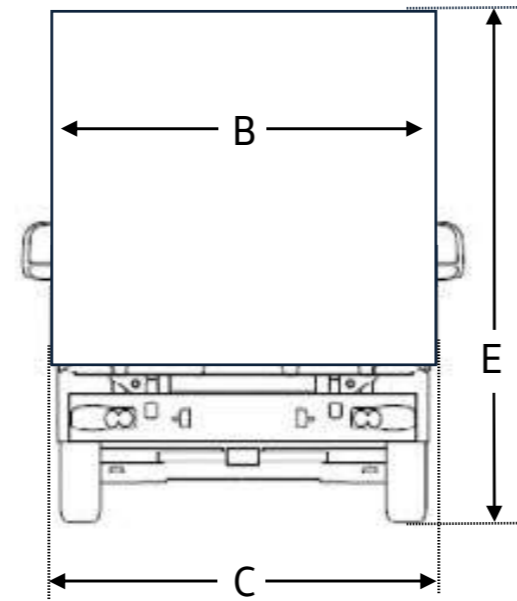
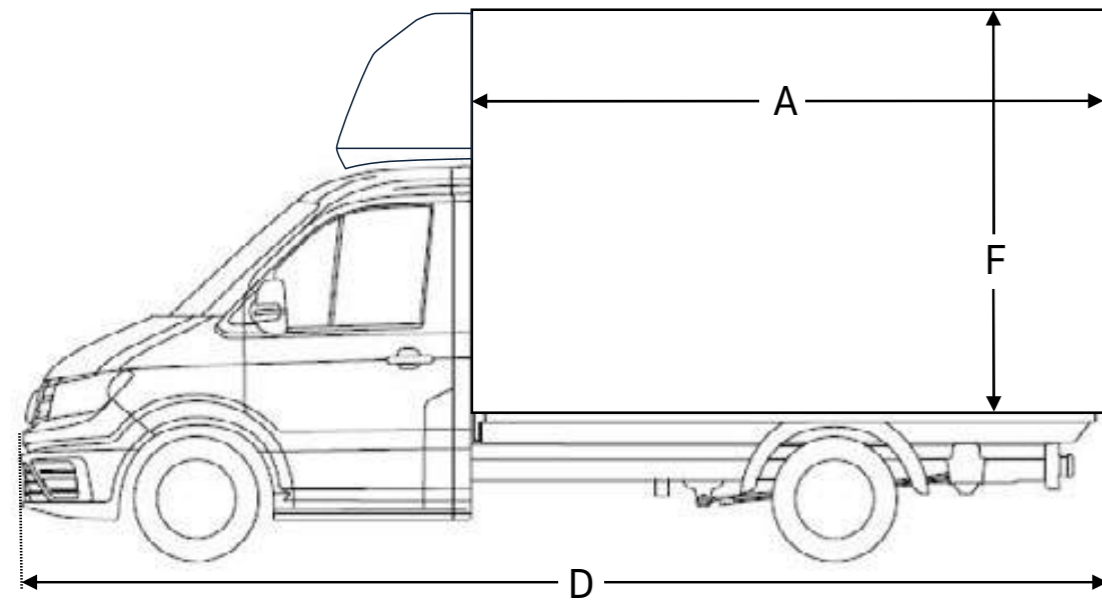
1. The Unladen Mass (UM) includes 10L of fuel, vehicle fluids and no occupants. Figures quoted are for base model vehicles only.

2. Payload is defined as the Gross Vehicle Mass (GVM) minus the Kerb Mass. Payload is the maximum combined weight of occupants, cargo, added structures and tow ball down weight (when towing). GVM must not be exceeded.

3. When fitted with Volkswagen Genuine Tow Bar. Towing capacities are applicable to Volkswagen Genuine Accessory Tow Bar. Towing capacity figures are maximum figures and actual towing capacity depends on factors including the laden mass of the vehicle, driving conditions and fitment of any accessories. Volkswagen Group Australia does not endorse or will not be held liable for any claim, loss or damage arising from the use or fitment of electronic trailer brakes.

## Weights and Capacities Cont.

|   | TDI340 FWD 3.55t GVM | TDI340 FWD 4.0t GVM | TDI410 FWD 3.55t GVM | TDI410 FWD 4.0t GVM | TDI410 4Motion 4.0t GVM |
|---|----------------------|---------------------|----------------------|---------------------|-------------------------|
| <b>Seating capacity</b>                                       | 3                    | 3                   | 3                    | 3                   | 3                       |
| Overall Vehicle Length (with Rear Step), mm (D)               | 7,021                | 7,021               | 7,021                | 7,021               | 7,021                   |
| Overall Vehicle Length (With Lifting Tailgate Fitted), mm (D) | 6,900                | 6,900               | 6,900                | 6,900               | 6,900                   |
| Overall Vehicle Width, mm (C)                                 | 2,100                | 2,100               | 2,100                | 2,100               | 2,100                   |
| Overall Vehicle Height, mm (E)                                | 3,200                | 3,200               | 3,200                | 3,200               | 3,200                   |
| <b>Box Body Volume, (m3)</b>                                  | 17.03 (inc peak)     | 17.03 (inc peak)    | 17.03 (inc peak)     | 17.03 (inc peak)    | 17.03 (inc peak)        |
| Box Body External Length, mm (A)                              | 4,152                | 4,152               | 4,152                | 4,152               | 4,152                   |
| Box Body Internal Length, mm (A)                              | 4,119                | 4,119               | 4,119                | 4,119               | 4,119                   |
| Box Body Internal Width, mm - maximum (B)                     | 1,951                | 1,951               | 1,951                | 1,951               | 1,951                   |
| Box Body Internal Load Height, mm (F)                         | 2,120                | 2,120               | 2,120                | 2,120               | 2,120                   |
| Box Body Rear Aperture Height, mm                             | 1,770                | 1,770               | 1,770                | 1,770               | 1,770                   |
| <b>Turning Circle (m)</b>                                     | 16.2                 | 16.2                | 16.2                 | 16.2                | 16.2                    |



## Safety and Security

|  | TDI340 FWD 3.55t GVM | TDI340 FWD 4.0t GVM | TDI410 FWD 3.55t GVM | TDI410 FWD 4.0t GVM | TDI410 4Motion 4.0t GVM |
|--|----------------------|---------------------|----------------------|---------------------|-------------------------|
| <b>Airbags</b>   |                      |                     |                      |                     |                         |
| Front airbag for driver and front passenger  | ●                    | ●                   | ●                    | ●                   | ●                       |
| Side and curtain airbags for driver and front passenger  | ●                    | ●                   | ●                    | ●                   | ●                       |
| <b>Seat belts</b>  |                      |                     |                      |                     |                         |
| 3-point seat belts with height adjustment and belt tensioners for driver   | ●                    | ●                   | ●                    | ●                   | ●                       |
| Seat belt warning light and buzzer for driver's seat   | ●                    | ●                   | ●                    | ●                   | ●                       |
| <b>Brakes and Traction Control</b>   |                      |                     |                      |                     |                         |
| Multi-Collision Brake (MCB)  | ●                    | ●                   | ●                    | ●                   | ●                       |
| Adaptive Electronic Stabilisation Programme (ESP)  | ●                    | ●                   | ●                    | ●                   | ●                       |
| Anti-Lock Braking System (ABS)   | ●                    | ●                   | ●                    | ●                   | ●                       |
| Brake Assist (BA)  | ●                    | ●                   | ●                    | ●                   | ●                       |
| Traction Control System (TCS)  | ●                    | ●                   | ●                    | ●                   | ●                       |
| Electronic Differential Lock (EDL)   | ●                    | ●                   | ●                    | ●                   | ●                       |
| Hill Hold Assist   | ●                    | ●                   | ●                    | ●                   | ●                       |
| <b>Driver Assistance Technology</b>  |                      |                     |                      |                     |                         |
| Front Assist with City Emergency Brake*  | ●                    | ●                   | ●                    | ●                   | ●                       |
| Driver Fatigue Detection*  | ●                    | ●                   | ●                    | ●                   | ●                       |
| Rear View Camera*  | ●                    | ●                   | ●                    | ●                   | ●                       |
| <b>Driver Assistance Package 1</b>   |                      |                     |                      |                     |                         |
| Fog Lights with cornering function, 'Light and Sight' windshield wiper intermittent control with light and rain sensor and separate daytime running light with automatic headlight control, 'Leaving Home' function and manual 'Coming Home' function" | ○                    | ○                   | ○                    | ○                   | ○                       |
| <b>Driver Assistance Package "Chassis"</b>   |                      |                     |                      |                     |                         |
| Adaptive Cruise Control (ACC)*   | ○                    | ○                   | ○                    | ○                   | ○                       |
| <b>Driver Assistance Package 4Motion</b>   |                      |                     |                      |                     |                         |
| Mechanical Differential Lock* and Hill Descent Assist*   | —                    | —                   | —                    | —                   | ○                       |
| <b>Locking and Security</b>  |                      |                     |                      |                     |                         |
| Anti-theft alarm system with backup horn, interior monitoring and towing protection  | ○                    | ○                   | ○                    | ○                   | ○                       |
| Central locking system with radio remote control and interior release mechanism  | ●                    | ●                   | ●                    | ●                   | ●                       |
| Central locking system with radio remote control, interior release mechanism and SAFELOCK  | ○                    | ○                   | ○                    | ○                   | ○                       |
| Two (2) remote control folding keys  | ●                    | ●                   | ●                    | ●                   | ●                       |
| Engine immobiliser (electronic)  | ●                    | ●                   | ●                    | ●                   | ●                       |
| One (1) Chock  | ●                    | ●                   | ●                    | ●                   | ●                       |
| Two (2) Chocks   | ○                    | ○                   | ○                    | ○                   | ○                       |
| First aid kit, warning triangle, safety vest and warning light   | ○                    | ○                   | ○                    | ○                   | ○                       |

● Standard ○ Optional P Part of package — Not available

\*Safety technologies are designed to assist the driver, but should not be used as a substitute for safe driving practices.

## Safety and Security Cont.

|   | TDI340 FWD<br>3.55t GVM | TDI340 FWD<br>4.0t GVM | TDI410 FWD<br>3.55t GVM | TDI410 FWD<br>4.0t GVM | TDI410 4Motion<br>4.0t GVM |
|---|-------------------------|------------------------|-------------------------|------------------------|----------------------------|
| <b>Lighting</b>   |                         |                        |                         |                        |                            |
| Twin Halogen headlights                                   | ●                       | ●                      | ●                       | ●                      | ●                          |
| Headlight range adjustment                                | ●                       | ●                      | ●                       | ●                      | ●                          |
| Separate Daytime Running Lights (DRL)                     | ●                       | ●                      | ●                       | ●                      | ●                          |
| LED headlamps with separate LED Daytime Running Light     | ○                       | ○                      | ○                       | ○                      | ○                          |
| Rear fog light  | ●                       | ●                      | ●                       | ●                      | ●                          |
| <b>Head Restraints</b>                                    |                         |                        |                         |                        |                            |
| Front safety optimised head restraints, height adjustable | ●                       | ●                      | ●                       | ●                      | ●                          |

## Box Body, Exterior Equipment and Styling

|  | TDI340 FWD<br>3.55t GVM | TDI340 FWD<br>4.0t GVM | TDI410 FWD<br>3.55t GVM | TDI410 FWD<br>4.0t GVM | TDI410 4Motion<br>4.0t GVM |
|--|-------------------------|------------------------|-------------------------|------------------------|----------------------------|
| <b>Box Body</b>  |                         |                        |                         |                        |                            |
| Body with lightweight sides and bulkhead with no visible fixings, perfect for signwriting/livery                         | ●                       | ●                      | ●                       | ●                      | ●                          |
| Bolted rear frame, dip painted and powder coated to resist corrosion   | ●                       | ●                      | ●                       | ●                      | ●                          |
| Unique four-tier load restraint system for dek lashing, standard load lock lashing or for use with telescopic load poles | ●                       | ●                      | ●                       | ●                      | ●                          |
| High-strength shutter with no external cables and smooth finish suitable for livery                                      | ●                       | ●                      | ●                       | ●                      | ●                          |
| Reinforced bottom plank to protect against movement of unsecured loads   | ●                       | ●                      | ●                       | ●                      | ●                          |
| Full height grab handle with integrated 360° rotating spot lamp  | ●                       | ●                      | ●                       | ●                      | ●                          |
| Rear footstep fitted as standard   | ●                       | ●                      | ●                       | ●                      | ●                          |
| Column mounted tail-lift with 500 kg lifting capacity  | ○                       | ○                      | ○                       | ○                      | ○                          |
| <b>Windows</b>   |                         |                        |                         |                        |                            |
| Heat-insulating windshield made of laminated glass   | ●                       | ●                      | ●                       | ●                      | ●                          |
| Heat-insulating glass (green)  | ●                       | ●                      | ●                       | ●                      | ●                          |
| Windscreen wiper intermittent control  | ●                       | ●                      | ●                       | ●                      | ●                          |
| Electric power windows with comfort operation and circuit breaker (front)  | ●                       | ●                      | ●                       | ●                      | ●                          |

● Standard ○ Optional package P Part of package — Not available

Crafter Box Body 12

## Box Body, Exterior Equipment and Styling Cont.

|  | TDI340 FWD<br>3.55t GVM | TDI340 FWD<br>4.0t GVM | TDI410 FWD<br>3.55t GVM | TDI410 FWD<br>4.0t GVM | TDI410 4Motion<br>4.0t GVM |
|--|-------------------------|------------------------|-------------------------|------------------------|----------------------------|
| <b>Body Enhancements</b>   |                         |                        |                         |                        |                            |
| Black bumper bar in front with painted trim panel in body colour (grey bumper bar with optional luminous orange) | ●                       | ●                      | ●                       | ●                      | ●                          |
| Black exterior mirror housings and door handles  | ●                       | ●                      | ●                       | ●                      | ●                          |
| Black side protective strips   | ●                       | ●                      | ●                       | ●                      | ●                          |
| Unpainted radiator grille  | ●                       | ●                      | ●                       | ●                      | ●                          |
| Trailer hitch preparation (including trailer stabilisation)  | ●                       | ●                      | ●                       | ●                      | ●                          |
| Side reflectors  | ●                       | ●                      | ●                       | ●                      | ●                          |
| Underbody stone guard  | ●                       | ●                      | ●                       | ●                      | ●                          |
| <b>Wheels and Tyres</b>  |                         |                        |                         |                        |                            |
| 16" steel wheels with centre wheel trim - 235/65 R16 C121/119 R  | ●                       | ●                      | ●                       | ●                      | ●                          |
| Steel spare wheel - full size  | ●                       | ●                      | ●                       | ●                      | ●                          |
| Tool kit with vehicle jack   | ●                       | ●                      | ●                       | ●                      | ●                          |
| Tyre mobility set (12 Volt compressor and tyre sealant)  | ○                       | ○                      | ○                       | ○                      | ○                          |
| Tyre Pressure Monitoring System (TPMS)   | ○                       | ○                      | ○                       | ○                      | ○                          |
| <b>Suspension and Chassis</b>  |                         |                        |                         |                        |                            |
| Heavy-duty suspension system and shock absorption, reinforced heavy-duty stabilisers                             | ●                       | ●                      | ●                       | ●                      | ●                          |
| Reinforced front axle (2100kg)   | ●                       | ●                      | ●                       | ●                      | ●                          |

## Comfort and Convenience

|   | TDI340 FWD<br>3.55t GVM | TDI340 FWD<br>4.0t GVM | TDI410 FWD<br>3.55t GVM | TDI410 FWD<br>4.0t GVM | TDI410 4Motion<br>4.0t GVM |
|---|-------------------------|------------------------|-------------------------|------------------------|----------------------------|
| <b>Air Conditioning, Batteries and Alternators</b>                        |                         |                        |                         |                        |                            |
| Climatic air conditioning system with dust and pollen filter in the cabin | ●                       | ●                      | ●                       | ●                      | ●                          |
| AGM battery and alternator with increased capacity                        | ○                       | ○                      | ○                       | ○                      | ○                          |
| Main battery switch   | ○                       | ○                      | ○                       | ○                      | ○                          |
| 2nd battery with cut-off relay and battery monitoring (AGM battery)       | ○                       | ○                      | ○                       | ○                      | ○                          |
| 2nd alternator with 180A  | ○                       | ○                      | ○                       | ○                      | ○                          |
| <b>Cruise Control</b>   |                         |                        |                         |                        |                            |
| Cruise Control, including speed limiter                                   | ●                       | ●                      | ●                       | ●                      | ●                          |
| <b>Floor Covering In Drivers Cabin</b>                                    |                         |                        |                         |                        |                            |
| Rubber floor covering in driver and passenger cabin                       | ●                       | ●                      | ●                       | ●                      | ●                          |

● Standard ○ Optional package P Part of package — Not available

Crafter Box Body 13

## Comfort and Convenience Cont.

|   | TDI340 FWD<br>3.55t GVM | TDI340 FWD<br>4.0t GVM | TDI410 FWD<br>3.55t GVM | TDI410 FWD<br>4.0t GVM | TDI410 4Motion<br>4.0t GVM |
|---|-------------------------|------------------------|-------------------------|------------------------|----------------------------|
| <b>In-Car Entertainment and Technology</b>  |                         |                        |                         |                        |                            |
| 'Composition Media' audio system with App-Connect^<br>6.5" colour touchscreen display, AM/FM radio, USB-C inputs and four (4) speakers. Car menu with convenience and service settings. Includes display for Park Distance Control* and Rear View Camera*. App-Connect^ USB interface for Apple CarPlay®, Android Auto™ and MirrorLink® in dash panel. Includes display for Park Distance Control* and Rear View Camera*. | ●                       | ●                      | ●                       | ●                      | ●                          |
| 'Discover Media' audio system with App-Connect^ and Satellite Navigation<br>8" colour touchscreen display, FM radio, USB-C inputs and four (4) speakers. 2D and 3D (bird's eye) map views. Car menu with convenience and service settings. Includes display for Park Distance Control* and Rear View Camera*. App-Connect^ USB interface for Apple CarPlay®, Android Auto™ and MirrorLink® in dash panel.                 | ○                       | ○                      | ○                       | ○                      | ○                          |
| Bluetooth® phone connectivity with contacts display and Bluetooth® audio streaming, operation via touchscreen audio unit or Multi-Function Display  | ●                       | ●                      | ●                       | ●                      | ●                          |
| Audio, telephone, cruise control and Multi-Function Display controls mounted on steering wheel  | ●                       | ●                      | ●                       | ●                      | ●                          |
| <b>Instrumentation</b>  |                         |                        |                         |                        |                            |
| Speedometer and tachometer, electronic odometer and trip meter, service interval display, fuel and coolant gauges, low fuel warning light and adjustable illumination   | ●                       | ●                      | ●                       | ●                      | ●                          |
| Multi-Function Display (MFD Plus) - exterior temperature, speed limit warning, average fuel consumption, brake pad wear indicator, average speed, current fuel consumption, range, journey time, service, gear recommendation, time, digital speed display, digital oil temperature gauge, language setting, light and sound  | ●                       | ●                      | ●                       | ●                      | ●                          |
| <b>Interior Lighting</b>  |                         |                        |                         |                        |                            |
| Two (2) LED reading lights in cabin   | ●                       | ●                      | ●                       | ●                      | ●                          |
| <b>Seating</b>  |                         |                        |                         |                        |                            |
| "ergoActive" suspension seat - driver   | ●                       | ●                      | ●                       | ●                      | ●                          |
| 2-seater bench for front passengers with under seat storage   | ●                       | ●                      | ●                       | ●                      | ●                          |
| Heated Seats, separately controllable (Driver and Passenger)  | ○                       | ○                      | ○                       | ○                      | ○                          |
| "ergoActive" suspension seat - front passenger (replacing 2-seater bench with single seat)  | ○                       | ○                      | ○                       | ○                      | ○                          |
| <b>Mirrors</b>  |                         |                        |                         |                        |                            |
| Exterior mirrors with integrated LED turn signal and wide angle range (left: convex, right: convex)   | ●                       | ●                      | ●                       | ●                      | ●                          |
| Exterior mirrors, power adjustable and heated   | ●                       | ●                      | ●                       | ●                      | ●                          |
| Dimming breakaway interior rear view mirror   | ●                       | ●                      | ●                       | ●                      | ●                          |
| <b>Steering Wheel</b>   |                         |                        |                         |                        |                            |
| Electro-mechanical power-assisted rack and pinion steering  | ●                       | ●                      | ●                       | ●                      | ●                          |
| Multi-function steering wheel, height and reach adjustable  | ●                       | ●                      | ●                       | ●                      | ●                          |
| Audio, telephone, cruise control and Multi-Function Display controls mounted on steering wheel  | ●                       | ●                      | ●                       | ●                      | ●                          |

● Standard ○ Optional package P Part of package — Not available

^App-Connect is compatible for selected apps with the latest smartphone versions of iOS and Android, active data service, and connection cable (sold separately).  
\*Safety technologies are designed to assist the driver, but should not be used as a substitute for safe driving practices.

## Comfort and Convenience Cont.

|   | TDI340 FWD<br>3.55t GVM | TDI340 FWD<br>4.0t GVM | TDI410 FWD<br>3.55t GVM | TDI410 FWD<br>4.0t GVM | TDI410 4Motion<br>4.0t GVM |
|---|-------------------------|------------------------|-------------------------|------------------------|----------------------------|
| <b>Driver Cabin</b>   |                         |                        |                         |                        |                            |
| Storage compartment under front passenger bench seat  | ●                       | ●                      | ●                       | ●                      | ●                          |
| Illuminated glove compartment with lockable lid   | ●                       | ●                      | ●                       | ●                      | ●                          |
| Overhead storage with two 1-DIN-slots and reading lamp  | ●                       | ●                      | ●                       | ●                      | ●                          |
| Four (4) cup holders in the dashboard   | ●                       | ●                      | ●                       | ●                      | ●                          |
| Front door pockets  | ●                       | ●                      | ●                       | ●                      | ●                          |
| Front sunvisors (folding and swiveling) with ticket holder on both sides  | ●                       | ●                      | ●                       | ●                      | ●                          |
| Open storage compartments in the dashboard above the glovebox   | ●                       | ●                      | ●                       | ●                      | ●                          |
| Open storage compartment next to gear lever   | ●                       | ●                      | ●                       | ●                      | ●                          |
| Two (2) 12 Volt sockets in the dashboard  | ●                       | ●                      | ●                       | ●                      | ●                          |
| Grab handles for driver and front passenger on A pillar   | ●                       | ●                      | ●                       | ●                      | ●                          |
| <b>Functional Equipment</b>   |                         |                        |                         |                        |                            |
| Acoustic warning when reverse gear is engaged, dimming  | ●                       | ●                      | ●                       | ●                      | ●                          |
| Acoustic warning when reverse gear is engaged, with deactivation switch   | ○                       | ○                      | ○                       | ○                      | ○                          |
| Customer-specific Function Control Unit (CFCU) with bodybuilder programming   | ●                       | ●                      | ●                       | ●                      | ●                          |
| Customer-specific Function Control Unit (CFCU) with bodybuilder programming and telematics preparation (FMS 3.0 Interface)  | ○                       | ○                      | ○                       | ○                      | ○                          |
| <b>Trendline Styling Package</b>  |                         |                        |                         |                        |                            |
| Illuminated step in the cabin, one additional 12V outlet in cabin, chrome elements in the interior, hub caps with chrome emblems, radio grille painted with 3 (three) chrome molding, front fog lights with cornering function  | ○                       | ○                      | ○                       | ○                      | ○                          |
| <b>Winter Package</b>   |                         |                        |                         |                        |                            |
| Heat-insulating windshield made of laminated glass (heated), leather-wrapped and heated multi-function steering wheel (3-spoke), heated washer nozzle in the front and headlamp washer system with washer fluid level indicator | ○                       | ○                      | ○                       | ○                      | ○                          |

● Standard ○ Optional package P Part of package — Not available



# Peace of Mind



## 5 years Unlimited Kilometre Warranty

At Volkswagen, we pride ourselves on the highest quality standards that come with German engineering.

We back this commitment with a 5 year unlimited kilometre warranty on all new Volkswagen vehicles\*.



## 1 year Roadside Assist

Every new Volkswagen comes with a 1 year Roadside Assist membership<sup>^</sup>.

That's 24 hour roadside assistance, emergency accommodation, car rental and towing as well as property and other assistance, all included for added peace of mind.



## Volkswagen Care Plans

Volkswagen Care Plans<sup>†</sup> have you covered for your first 3 or 5 scheduled services, providing you savings off the total Assured Service Pricing RRP. It's convenient, hassle-free scheduled servicing easily available for purchase at your local Volkswagen Dealer.



## Assured Service Pricing

Assured Service Pricing<sup>#</sup> gives you the transparency of knowing how much your service will cost up front.

Our Volkswagen Dealers have access to the latest diagnostic equipment and tools. Plus, they use Volkswagen Genuine Parts<sup>®</sup> to ensure your Volkswagen stays a Volkswagen.

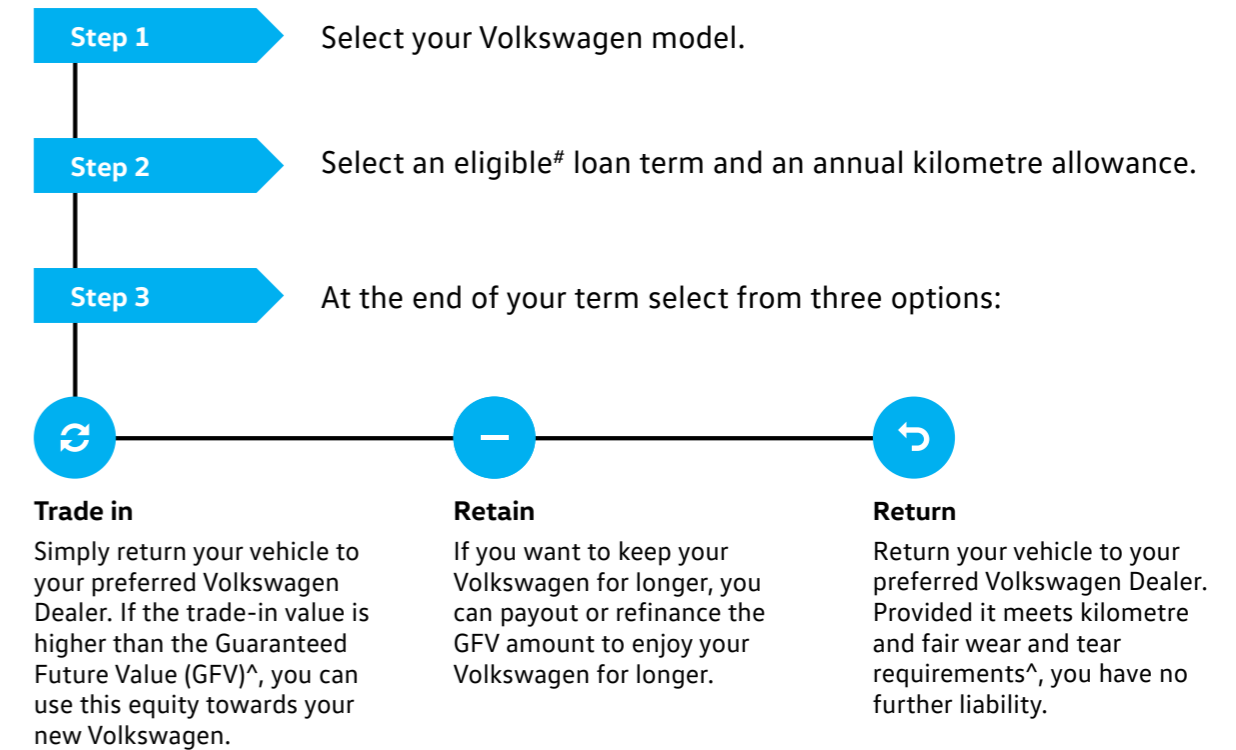
You're in safe hands at your Volkswagen Dealer when it comes to servicing.

# Volkswagen Choice<sup>^</sup>

Guarantee the minimum future value of your Volkswagen

Naturally we understand that your Volkswagen represents a valuable investment, so we understand that you want to maintain it in premium condition. Volkswagen Choice<sup>^</sup> is a finance program tailored to the requirements of Volkswagen owners by providing assurance around your Volkswagen's future value<sup>^</sup>, whilst offering simple monthly instalment financing options.

Whether you are selecting your new Volkswagen for business or personal use, you can choose the contract term that best suits your requirements. Enjoy the confidence that comes from having locked in a minimum value up front to be attributed to your vehicle at the end of your contract<sup>^</sup>. There are also no account keeping fees with a fixed interest rate.



\*Conditions and exclusions apply, see <https://www.volkswagen.com.au/en/owners-service/warranty.html>. Your rights under this warranty are provided in addition to, and in some cases overlap with, consumer guarantees under the Australian Consumer Law and do not limit or replace them.

<sup>^</sup>Volkswagen Roadside Assist is provided by AWP Australia Pty Ltd ABN 52 097 227 177 trading as Allianz Global Assistance, under an arrangement with Volkswagen Group Australia Pty Limited ABN 14 093 117 876. Conditions and exclusions apply, see <https://www.volkswagen.com.au/en/owners-service/roadside-assist.html>.

<sup>†</sup>Volkswagen Care Plans are available for purchase at <https://www.volkswagen.com.au/en/owners-service/care-plans.html> or from participating authorised Volkswagen Dealers for Eligible Vehicles and covers standard items as contained in each scheduled service interval only. The service intervals occur every 15,000 KM/12 months (whichever occurs first) for all models except MY18 to current Crafter vehicles and MY21 onwards Amarok vehicles, which are scheduled to occur every 20,000 km/12 months (whichever occurs first). These Care Plans can only be purchased prior to the first scheduled service and up to 22,500 km/15 months (whichever occurs first) for all models except MY18 to current Crafter vehicles and MY21 onwards Amarok vehicles which is 30,000 km/15 months (whichever occurs first). The timeframe takes effect from when the vehicle is first reported in our system as 'sold'. Discount structure varies by model. For details of what is not included in a scheduled service, please refer to the program [terms and conditions](#).

<sup>#</sup>Assured Service Pricing applies to the first 5 standard scheduled services of your vehicle which are scheduled to occur at every 15,000 km/12 month interval (whichever occurs first) or for MY18 to current Crafter vehicles and MY21 onwards Amarok vehicles only, 20,000 km/12 month interval (whichever occurs first). On or before 31 December each year, Volkswagen will publish the maximum price for a specified Schedule Service that will be applicable from, and remain fixed for, the following calendar year only. For details on the Eligible Model List, pricing, items not included and for full terms and conditions, please see <https://www.volkswagen.com.au/app/locals/service-pricing-guide>.

<sup>^</sup>Volkswagen Guaranteed Future Value consists of an option to return your vehicle to Volkswagen Financial Services (VFS) ABN 20 097 071 460, Australian Credit Licence 389344, at the end of the term and requires VFS to purchase the vehicle at an agreed price determined by VFS, known as the Guaranteed Future Value (GFV). <sup>#</sup>Eligible loan terms include 12-60 months, vary by model and are subject to change, ask dealer for more information. At the end of the term, you can elect to: (1) trade-in; (2) return; or (3) retain the vehicle by paying the GFV, which is a lump sum owed to VFS at the end of the loan term after all repayments have been made. You will be liable for any loan contract deficit and additional charges if you exceed the nominated kilometre allowance and/or the vehicle is not in an acceptable condition. Available on new and demonstrator Volkswagen vehicles for selected models. Contact your Official Volkswagen Dealer to verify eligible vehicles for this program. Fleet, government, rental buyers, hire car and chauffeur companies excluded.

# The Crafter Box Body

Volkswagen Group Australia Pty Ltd  
895 South Dowling Street, Zetland NSW 2017  
ABN 14 093 117 876

Printed in Australia  
July 2021  
[www.volkswagen.com.au](http://www.volkswagen.com.au)

Publication: VWCCRABOXY22

Your Volkswagen Dealer.

#### **Important information**

Apple CarPlay® is a registered trade mark of Apple Inc. Android Auto™ is a registered trade mark of Google Inc. MirrorLink® is a registered trade mark of Car Connectivity Consortium LLC. Bluetooth® is a registered trade mark of Bluetooth SIG Inc.

Volkswagen is distributed by Volkswagen Group Australia Pty Ltd (ABN 14 093 117 876) of 895 South Dowling Street, Zetland NSW 2017. Specifications are as planned at July 2021, for Model Year 2022 and are subject to change without notice or obligation. All information in this brochure are correct at the time of publication, however variations may occur from time to time and Volkswagen, in so far as it is permitted by law to do so, shall not be liable in any way as a result of any reliance by any person on anything contained in this brochure. Authorised Volkswagen Dealers will provide up-to-date information on model application, design feature, prices, and availability on request.