

BMW 3 Series Sedan

320i
320d
320i Executive
320d Executive
323i
325i
330i



**The Ultimate
Driving Machine**





**The most exciting performer of all
is coming to a road near you.**



The marathon sprinter.

A sporting arrangement – each axle carries an equal share of the load.





**Aggressive power coupled
with defensive strength.**



Operating a car should not be hard work.

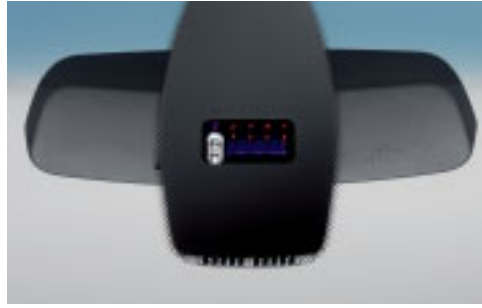


This co-driver can do everything. Even be silent.

Equipment



□ **Xenon headlights for low and high beam, including four parking light rings** and automatic headlight range control, provide improved illumination of the road ahead at night or in poor visibility (standard on 330i).



■ **Rain sensor with automatic headlight activation:** Once activated, the rain sensor will automatically switch on the windscreen wipers when it begins to rain, adjusting the wiper frequency in line with rainfall intensity. The integrated automatic headlight activation system will switch on the low beam automatically at dusk and in tunnels.



■ **Brake Force Display** helps vehicles travelling behind you to evaluate your braking more accurately: in the event of an emergency stop, the intensity of the brake lights is increased. So drivers travelling behind can tell in an instant the difference between a light tap on the brake pedal and a hard stop – for increased driving safety.



□ **BMW light-alloy wheels** double spoke styling 156, 7 J x 16", 205/55 R16 tyres (standard on 320i Executive and 320d Executive).



□ **BMW light-alloy wheels** star spoke styling 155, 7 J x 16", 225/50 R 16 tyres (standard on 323i).



□ **BMW light-alloy wheels** star spoke styling 158, 8 J x 17", 225/45 R17 tyres (standard on 325i).



□ **BMW light-alloy wheels** star spoke styling 159, 8 J x 17", 225/45 R17 tyres (standard on 330i).



□ **BMW light-alloy wheels** ellipsoid spoke styling 162 with mixed tyres, 8 J x 18" wheels and 225/40 R18 tyres at the front, 8.5 J x 18" wheels and 255/35 R18 tyres at the rear. Snow chains cannot be fitted.



□ **Leather sport steering wheel** (369 mm diameter), three spokes, incl. multifunction buttons for remote control of radio/telephone.

Equipment



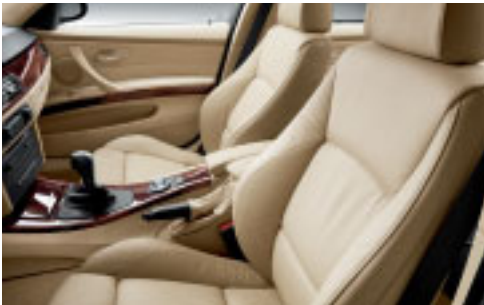
■ **Automatic air conditioning**, incl. Automatic Air Re-circulation (AAR), micro filter, fogging and solar sensors and residual heat button, rapidly provides the desired climatic conditions in the vehicle interior and maintains the selected temperature. With individual temperature control for left and right sides and rear air vent in the centre console.



■ **Radio BMW Professional**, including 2-tuner reception, MP3 decoder and AUX/IN connection.
 MD drive: Mini disc player for Radio BMW Professional (shown here) with automatic MD insert/eject.



6-speed automatic transmission with Steptronic. The gearshift mechanism enables very fast, immaculate gear changes – for truly dynamic performance (standard on 320d, 320d Executive and 330i).



Sports seats for driver and front passenger (shown here in Dakota leather Beige). Optimum lateral support is ensured by continuously variable electric backrest width adjustment. Seat height, backrest and seat angle as well as thigh support are manually adjustable.



Seat adjustment, electric, for driver and front passenger, with electric adjustment of seat height, backrest, fore/aft position and seat angle, plus memory function for driver's seat and exterior mirrors (incl. automatic tilt function). Two personalised settings can be stored for the driver's seat and the exterior mirrors (standard on 325i and 330i).



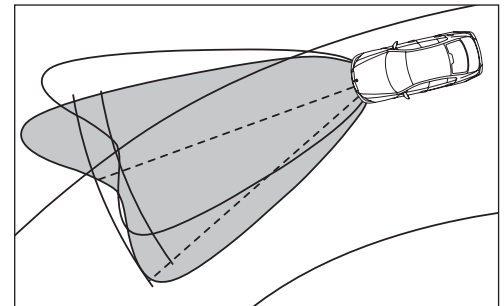
Seat heating for driver and front passenger (three settings): Seat surface, sides and backrest are heated and quickly radiate comfortable warmth.



Glass sliding/vent roof, electric, with wind deflector and comfort opening function via the car's remote control unit.



Through-loading system with asymmetric 60/40-split folding backrest and ski bag (standard on 323i, 325i and 330i).



The Adaptive Headlights system features electromechanically controlled headlights to ensure optimised road illumination as soon as the vehicle enters a bend. This enhances safety when driving at night or in bad visibility. Sensors register the steering angle, yaw rate and vehicle speed; the direction of the headlight beams is then automatically adjusted to match the calculated layout of the bend (standard on 330i).

Standard equipment
 Optional equipment
 Not available
 ACC Accessory fitment
NCO No Cost Option

Interior features	320i	320d	320i Executive	320d Executive	323i	325i	330i
Armrest at the front	■	■	■	■	—	—	—
Armrest at the front, sliding	□	□	□	□	■	■	■
Automatic air conditioning with rear air vents (including automatic air re-circulation, fogging and solar sensors and residual heat button)	■	■	■	■	■	■	■
Central armrest , rear, with two cupholders	■	■	■	■	■	■	■
Climate comfort windscreen	□	□	□	□	□	□	□
Comfort access	□	□	□	□	□	□	□
Cruise control (operated via control stalk)	■	■	■	■	—	—	—
Cruise control with braking function (multi-level)	—	—	—	—	■	■	■
Cruise Control, Active	—	—	—	—	□	□	□
Floor mats in velour	ACC	ACC	ACC	ACC	ACC	ACC	ACC
Glass sliding/vent roof, electric , with comfort opening via car key	□	□	□	□	□	□	□
Glove compartment, lockable and illuminated	■	■	■	■	■	■	■
Heat insulation glass , green, all-round	■	■	■	■	■	■	■
Instrument panel with circular speedometer and rev counter displays, as well as fuel gauge and fuel consumption display	■	■	■	■	■	■	■
Interior and exterior mirrors with automatic anti-dazzle function	□	□	□	□	□	□	□
Interior mirror with automatic anti-dazzle function	□	□	□	□	■	■	■
Interior trim:							
– Titanium matt	■	■	■	■	■	■	■
– Brushed Aluminium	□	□	NCO	NCO	NCO	NCO	NCO
– Burr Walnut wood	□	□	NCO	NCO	NCO	NCO	NCO
– Poplar Natural wood	□	□	NCO	NCO	NCO	NCO	NCO
“LIGHTS ON” warning	■	■	■	■	■	■	■
Lights package , includes entry area illumination integrated in the door handles, reading lights front and rear, footwell illumination as well as illuminated vanity mirrors for driver and front passenger	□	□	■	■	■	■	■
Lined luggage compartment , 460-litre capacity	■	■	■	■	■	■	■
Luggage compartment package (includes luggage net on the right, floor net, 12 V socket on the left, adjustable multi-segment under-floor storage bin, bag and umbrella holder, waterproof folding box as well as a removable pull-out drawer under the rear shelf)	□	□	□	□	□	□	□
Luggage nets on front seat backs	—	—	—	—	■	■	■
Navigation system:							
– Business, with 6.5" colour monitor and arrow display, DVD drive, MP3 decoder, including iDrive Controller	□	□	□	□	□	□	■
– Professional, with 8.8" colour monitor, arrow and map display, CD and DVD drive, including iDrive Controller, TV function, voice recognition and MP3 decoder	□	□	□	□	□	□	□
On-board computer (including Check Control)	■	■	■	■	■	■	■
Radio/audio:							
– BMW Professional radio	■	■	■	■	■	■	■
– CD changer (6 CDs)	ACC	ACC	ACC	ACC	ACC	■	■
– Hi-Fi loudspeaker system	□	□	□	□	□	□	■
– Hi-Fi System Professional LOGIC7	□	□	□	□	□	□	□
– MD drive for BMW Professional radio	□	□	□	□	□	□	□
Radio remote control for central locking, key with automatically recharging battery	■	■	■	■	■	■	■

Standard equipment
 Optional equipment
 — Not available

Interior features	320i	320d	320i Executive	320d Executive	323i	325i	330i
Seats/seat comfort:							
– Headrests, three at the rear, central headrest folds down	■	■	■	■	■	■	■
– Standard seats with manual adjustment	■	■	■	■	■	—	—
– Seat adjustment, electric, with memory function for driver's seat	□	□	□	□	□	■	■
– Sport seats for driver and front passenger, with manual adjustment, incl. electric backrest width adjustment	□	□	□	□	□	□	□
– Lumbar support for driver and front passenger, electric	□	□	□	□	□	□	■
– Seat heating for driver and front passenger	□	□	□	□	□	□	□
Skibag (in connection with through-loading system)	□	□	□	□	■	■	■
Start/Stop button	■	■	■	■	■	■	■
Steering wheels:							
– Leather steering wheel, three spokes, shift lever knob and handbrake lever gaiter in leather	■	■	■	■	■	■	■
– Leather sports steering wheel, three spokes	□	□	□	□	□	□	□
– Multifunction buttons for steering wheel	■	■	■	■	■	■	■
Storage compartments in the front doors	■	■	■	■	■	■	■
Sun blinds for rear side windows, mechanical	□	□	□	□	□	□	□
Sun blind for rear window, electric	□	□	□	□	□	□	□
Telephones:							
– Mobile phone preparation, with Bluetooth interface	■	■	■	■	■	■	■
– Mobile phone preparation Business, with Bluetooth interface (ConnectedDrive compatible)	□	□	□	□	□	□	□
– Voice control of telephone	■	■	■	■	■	■	■
Through-loading system (with asymmetrically split rear backrest, each section folding down separately), including skibag	□	□	□	□	■	■	■
Upholstery:							
– Cloth/leather combination	■	■	—	—	—	—	—
– Dakota leather	—	—	■	■	■	■	■
Window lifts, electric, front and rear, with open/close fingertip control, trap release and comfort opening/closing function	■	■	■	■	■	■	■

Standard equipment
 Optional equipment
 Not available
 NCO No Cost Option

Exterior features	320i	320d	320i Executive	320d Executive	323i	325i	330i
Bumpers in body colour	■	■	■	■	■	■	■
Exterior equipment in body colour (protruding door handles and roof trim)	■	■	■	■	■	■	■
Exterior mirrors in body colour , electrically adjustable, aspheric, heated for 6-cylinder models	■	■	■	■	■	■	■
Exterior mirrors package , incl. fold-in function, with heated exterior mirrors, memory function and automatic kerb focus	□	□	□	□	□	□	□
Indicators in white (front)	■	■	■	■	■	■	■
Metallic paint	□	□	□	□	□	□	□
Ornamental front grille with vertical slats in Black and chrome surround	■	■	■	■	—	—	—
Ornamental front grille with vertical slats in Chrome and chrome surround	—	—	—	—	■	■	■
Sill covers with chrome BMW lettering	■	■	■	■	■	■	■
– M Sport Package: Special aerodynamics package, light-alloy wheels double-spoke 194M, sport suspension, sport seats, M leather steering wheel, anthracite roof lining and high gloss shadowline	—	—	□	□	□	□	□
Wheels:							
– Wheels and tyres with runflat technology	■	■	■	■	■	■	■
– Steel wheels with full wheel covers, 7 J x 16", 205/55 R 16 tyres	■	■	—	—	—	—	—
– Light-alloy wheels double spoke 154, 7 J x 16", 205/55 R 16 tyres	□	□	—	—	—	—	—
– Light-alloy wheels star spoke 155, 7 J x 16", 225/50 R 16 tyres	□	□	□	□	■	—	—
– Light-alloy wheels double spoke 156, 7 J x 16", 205/55 R 16 tyres	□	□	■	■	—	—	—
– Light-alloy wheels star spoke 158, 8 J x 17", 225/45 R 17 tyres	□	□	□	□	□	■	NCO
– Light-alloy wheels star spoke 159, 8 J x 17", 225/45 R 17 tyres	□	□	□	□	□	□	■
– Light-alloy wheels radial spoke 160, 8 J x 17", 225/45 R 17 tyres	□	□	□	□	□	□	NCO
– Light-alloy wheels double spoke 161 with mixed tyres, 8 J x 17" with 225/45 R 17 tyres at the front, 8.5 J x 17" with 255/40 R 17 tyres at the rear (snow chains cannot be fitted)	□	□	□	□	□	□	□
– Light-alloy wheels ellipsoid spoke 162 with mixed tyres, 8 J x 18" with 225/40 R 18 tyres at the front, 8.5 J x 18" with 255/35 R 18 tyres at the rear (snow chains cannot be fitted)	□	□	□	□	□	□	□

Technical data

Weight		320i	320d	320i Executive	320d Executive	323i	325i	330i
Kerb weight ¹	kg	1360 [1390]	1445	1360 [1390]	1445	1415 [1445]	1430 [1460]	1495
Max permissible	kg	1880 [1910]	1965	1880 [1910]	1965	1935 [1965]	1950 [1980]	2015
Permitted load	kg	520	520	520	520	520	520	520
Permitted axle load, front/rear	kg	895/1050	925/1080	895/1050	925/1080	930/1070	935/1080	950/1100
Permitted roof load	kg	75	75	75	75	75	75	75
Permitted trailer load, unbraked ²	kg	695	745	695	745	735	745	750
Permitted trailer load, braked, max. 12% gradient ²	kg	1400 [1500]	1600	1400 [1500]	1600	1600 [1600]	1600 [1600]	1700
Permitted trailer load, braked, max. 8% gradient ²	kg	1600 [1600]	1800	1600 [1600]	1800	1700 [1700]	1700 [1700]	1800
Permitted towbar download	kg	75	75	75	75	75	75	75

Engine^{3,4}		320i	320d	320i Executive	320d Executive	323i	325i	330i
Cylinders/valves		4/4	4/4	4/4	4/4	6/4	6/4	6/4
Capacity	cc	1995	1995	1995	1995	2497	2497	2996
Stroke/bore	mm	90.0/84.0	90.0/84.0	90.0/84.0	90.0/84.0	78.8/82.0	78.8/82.0	88.0/85.0
Max. output	kW/rpm	110/6200	115/4000	110/6200	115/4000	130/5800	160/6500	190/6600
Max. torque	Nm/rpm	200/3600	330/2000	200/3600	330/2000	230/3500	250/2750	300/2500
Compression ratio	:1	10.5	17.0	10.5	17.0	11.0	11.0	10.7

Transmission		320i	320d	320i Executive	320d Executive	323i	325i	330i
Standard transmission ratios	I/II:1	4.32/2.46	4.17/2.34	4.32/2.46	4.17/2.34	4.32/2.46	4.32/2.46	4.17/2.34
	III/IV:1	1.66/1.23	1.52/1.14	1.66/1.23	1.52/1.14	1.66/1.23	1.66/1.23	1.52/1.14
	V/VI/R:1	1.0/0.85/3.94	0.87/0.69/3.40	1.0/0.85/3.94	0.87/0.69/3.40	1.0/0.85/3.94	1.0/0.85/3.94	0.87/0.69/3.40
Final drive ratio	:1	3.38	3.15	3.38	3.15	3.23	3.23	3.64

Performance		320i	320d	320i Executive	320d Executive	323i	325i	330i
Top speed	km/h	220 [215]	216	220 [215]	216	229 [226]	245 [242]	250 ⁵
Acceleration 0–100 km/h	sec	9.0 [9.7]	8.9	9.0 [9.7]	8.9	7.9 [8.8]	7.0 [7.7]	6.6

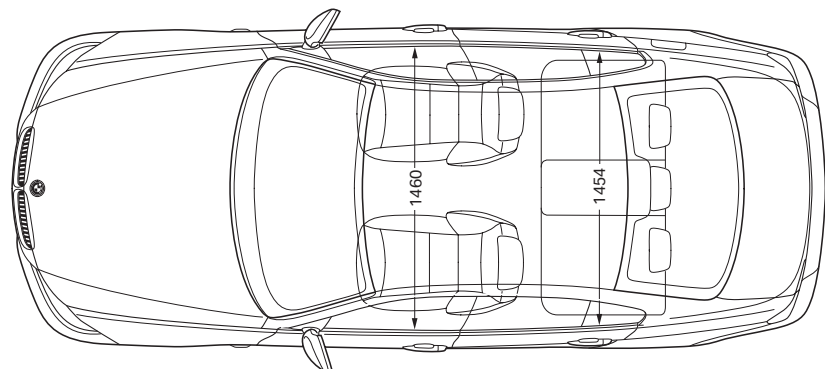
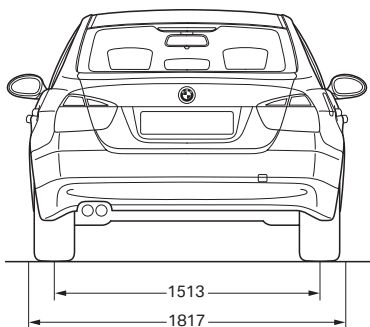
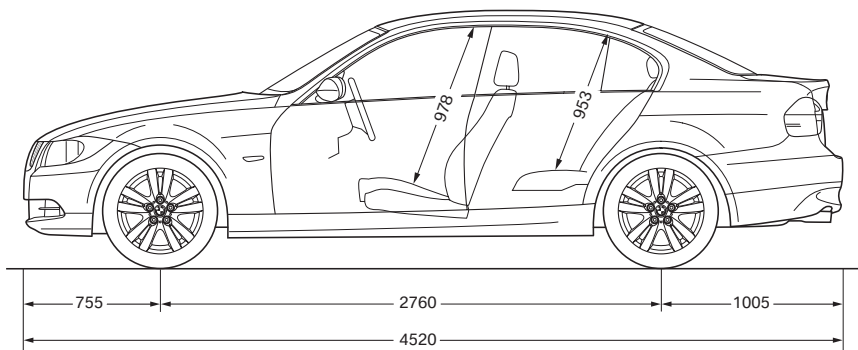
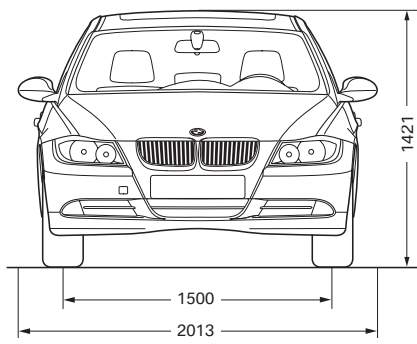
Fuel consumption^{3,4}		320i	320d	320i Executive	320d Executive	323i	325i	330i
City	l/100 km	10.7 [11.0]	9.1	10.7 [11.0]	9.1	12.1 [12.9]	12.1 [12.9]	12.9
Highway	l/100 km	5.6 [6.2]	5.3	5.6 [6.2]	5.3	6.2 [6.7]	6.2 [6.7]	6.8
Combined	l/100 km	7.4 [7.9]	6.7	7.4 [7.9]	6.7	8.4 [9.0]	8.4 [9.0]	9.0
Tank capacity, approx.		63	61	63	61	63	63	63

An explanation of the footnotes can be found on the following page.

Technical data

Wheels	320i	320d	320i Executive	320d Executive	323i	325i	330i
Tyre dimensions	205/55 R 16	205/55 R 16	205/55 R 16	205/55 R 16	225/50 R 16	225/45 R 17	225/45 R 17
Wheel dimensions	7 Jx16	7 Jx16	7 Jx16	7 Jx16	7 Jx16	8 Jx17	8 Jx17
Material	Steel	Steel	Light-alloy	Light-alloy	Light-alloy	Light-alloy	Light-alloy

Electrical system		320i	320d	320i Executive	320d Executive	323i	325i	330i
Battery capacity	Ah	46	80	46	80	70	70	70
Alternator output	A	110	150	110	150	155	155	180



All dimensions in millimetres. Luggage compartment capacity (as per VDA standard): 460 litres.

- ¹ The Kerb Weight or Unladen Mass is the mass of the vehicle in running order unoccupied and unladen with all fluid reservoirs filled to nominal capacity including fuel, and with all standard equipment.
- ² The overall weight of the trailer may not exceed the maximum permissible trailer load plus the maximum permissible towbar download.
- ³ The petrol engines are designed for RON 98 fuel. They may be run on RON 95 or RON 91 fuel with a decrease in engine power and an increase in fuel consumption.
- ⁴ Fuel consumption is determined in accordance with the ECE driving cycle made up of approximately one third city traffic and two thirds highway driving (based on the distance covered).
- ⁵ Electronically limited

Values in [] apply to vehicles with six-speed automatic transmission except for 320d, 320d Executive and 330i which are only available with 6-speed automatic transmission.
 The models illustrated in this brochure show the specifications for the Australian market. In part, they include optional equipment and accessories not fitted as standard. According to the specific requirements of other markets, alterations in models, standard and optional equipment, as described in the text and illustrations, may occur. For precise information, please contact your BMW Dealer. Subject to change in design and equipment. Subject to error.
 © BMW AG, Munich/Germany. Not to be reproduced wholly or in part without written permission of BMW AG, Munich.