



This Brochure is prepared by Daimler AG and it predominantly reflects the capabilities and performance of vehicles sold in Europe. Some characteristics, capabilities, performance features and optional extras (e.g. towing systems) may not be available or may not apply in Australia or under Australian conditions. The information in this Brochure is therefore indicative, illustrative and provided only for guidance and should not be relied on. To obtain current and accurate information on a vehicle and any options applicable to Australia, contact your local authorised Mercedes-Benz dealer.

Mercedes-Benz



Mercedes-Benz

The S-Class

“Our philosophy is very simple.
We give our best for people who expect the best.”

Dr Dieter Zetsche

The S-Class	08	My S-Class	68
SAFETY	10	EQUIPMENT	70
Safe driving	12	Standard	72
Night view assist	14	Optional extras	76
DISTRONIC PLUS	16	Light-alloy wheels	84
In the event of danger	18	<hr/>	
PRE-SAFE®	18	GENUINE ACCESSORIES	86
In an accident	20	<hr/>	
After an accident	22	MERCEDES-BENZ GUARD	88
<hr/>		<hr/>	
AGILITY	26	designo	90
TrueBlueSolutions	28	<hr/>	
Diesel engines	30	COLOURS AND MATERIALS	94
Petrol engines	32	Paint finishes	96
Transmissions	36	Upholstery and leather	98
Suspension	38	Combination options	100
4MATIC all-wheel drive	40	Wood	102
<hr/>		<hr/>	
COMFORT	44	TECHNICAL FEATURES	
The long-wheelbase version	46	Technical data	104
Seating comfort	48	Dimensions	108
Climate control	50	<hr/>	
Control and display systems	52	SERVICE AND TEST DRIVE	110
Parking aids	56		
Entertainment	58		
<hr/>			
AMG	60		
S 63 AMG	62		
S 65 AMG	64		

The tradition of innovation

1959. Mercedes-Benz has always been a pioneer of innovative automotive technologies. In 1959, its “tailfin” model made history as the first production vehicle with a safety passenger cell and crumple zones.

Today, the S-Class once again confirms the pioneering role played by Mercedes-Benz. With technology like night view assist and innovative comfort and convenience features such as the enhanced DISTRONIC PLUS system which set new standards. **One step further.**











The S-Class





THE INTEGRAL SAFETY CONCEPT
FROM MERCEDES-BENZ

A theory which can save lives in practice

The integral safety concept from Mercedes-Benz

It there is one area that drives us to ever greater achievements more than any other, it is researching new safety technologies. As early as the 1950s, we passed an important safety milestone when legendary vehicle safety pioneer Béla Barényi invented the passenger safety cell.

This era also saw revolutionary ideas put forward by many others – such as Rolf Maier. In order to be able to study the crash performance of steering and restraint systems quickly and cost-effectively, Rolf Maier and his engineer colleagues designed and built a special sled which was to be driven into a wall at high speed. When they needed to create a crumple zone, the team came up with a simple, yet brilliant solution: gherkin tins from the staff restaurant – a typical example of the creative spirit which characterised this pioneering time.

Much as we like to reflect on the past, though, our focus has always been firmly on the future. The best example is our vision of accident-free driving. This vision is closer today than ever before thanks to the integral safety concept from Mercedes-Benz, which divides automotive safety into four phases.

To ensure a safe journey throughout, the vehicle helps the driver to identify critical situations promptly and handle them safely. In the second phase, where a risk has been detected, numerous preventive measures can be activated to reduce the risk of injury. In the event of an accident, the occupants can benefit from effective protection, as required by the situation concerned, provided by the comprehensive range of passive safety systems. Finally, the fourth component comprises the phase after the accident when further measures come into play – to make the task of the rescue services easier, for example.

Further information about the Mercedes-Benz safety concept is available online at www.mercedes-benz.com/airbag-brochure





Complete peace of mind is the best method of accident prevention

Keeping relaxed at the wheel can nip danger in the bud

The majority of accidents start long before the actual collision: with a lapse in concentration, poor visibility or an unanticipated hazard. The S-Class is therefore fitted with safety equipment which promotes relaxed driving and helps you to bring critical situations under control.

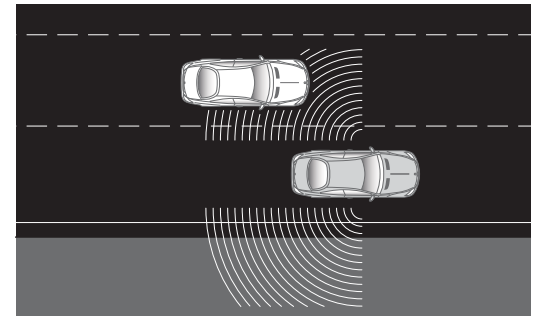
Firstly, there is the ergonomically designed interior in which each switch and each function is easy to use. In addition, intelligent systems such as COMAND or the optionally available LINGUATRONIC voice-operated control system allow you to keep your hands on the wheel. Driver stress-relief also comes courtesy of the climate control system, comfortable seats and a fine-tuned suspension system.

There are over 60 electronic aids to help you whilst driving. They issue warnings when required – as in the case of the tyre pressure monitoring system – or provide you with assistance when needed. Perhaps the most important of all is the

Electronic Stability Program (ESP®). This system, which can stabilise the car if there is a risk of skidding, was first seen in a Mercedes. Brake systems incorporating Brake Assist or the optional BAS PLUS system are also becoming increasingly intelligent and can now reduce the stopping distance by a considerable amount when it matters most. With DISTRONIC PLUS also on board, the driver is therefore warned when heavy braking is required should the situation become serious.

Additional help is provided by Blind Spot Assist. This optional extra makes invisible hazards visible, letting you know as soon as a vehicle which is overtaking you has been in your blind spot for three seconds.

One of the latest additions in the field of safety is night view assist, which enables you to detect obstacles earlier at night. It is therefore fully in keeping with the Mercedes-Benz safety philosophy of preventing accidents before they happen.



Blind Spot Assist

Radar sensors monitor the zones to the side of and behind the vehicle. If the indicator is activated and another vehicle is identified in the monitored zone, a visual and audible warning alerts the driver



Navi Audio
2. SW
19. sunshine
Radio Spelch

You can see at night what this road looks like in daylight

Night view assist – easier driving, even in critical situations

You're driving on a dark road at night. In the distance you can vaguely make out a bend, but before you can begin to see more, you're dazzled by oncoming headlamps.

The optional night view assist system makes situations like this a thing of the past by allowing you to see obstacles even when the light from oncoming traffic is impairing visibility.

The secret behind night view assist lies in the infrared headlamps which illuminate the road with infrared light, which is invisible to the human eye. The picture captured by the infrared camera is reproduced in shades of grey on the integral 8-inch multifunction display in the instrument cluster. The view is similar to looking through the windscreen with the main-beam headlamps switched on.

Night view assist, which can be switched on and off as required, reduces driver stress when driving under conditions of limited visibility – but without dazzling oncoming traffic. This means you are able to react to hazards sooner and are more relaxed when you arrive at your destination – even after a long journey at night.



Test prop DC590100053816: soft toy deer, brown
After a few months, the soft toy deer used to test night view assist had been dubbed “Bambi” by the engineers and came to be regarded as a true member of the team. Thanks to Bambi’s tireless efforts (not to mention those of our developers) drivers who opt for night view assist can see animals and other hazards on the road at an earlier stage

In future, traffic jams may still delay your arrival. But they won't fray your nerves

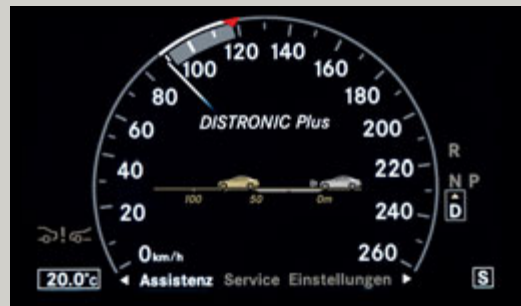
DISTRONIC PLUS including BAS PLUS – for more relaxed driving in busy traffic

In 1999, we developed the proximity control system DISTRONIC to make driving in busy traffic less stressful. Now our further improved version of this stress-relieving system, the optional DISTRONIC PLUS, automatically helps you maintain a safe following distance even in stop-and-go traffic. DISTRONIC PLUS's improved sensor systems control proximity to other traffic anywhere in the speed range from 0 to 200 km/h, decelerating the car gently at a rate of up to 4 m/s^2 as soon as it starts to get too close to the vehicle in front. If necessary the car is braked to a standstill.

To move off again, just pull the cruise control lever towards you or lightly depress the accelerator.

Thus the optional DISTRONIC PLUS makes for a more relaxed driving experience whether in stop-and-go situations or in motorway cruising.

The DISTRONIC PLUS sensors are also used by the new-generation Brake Assist system BAS PLUS. Whenever the driver brakes, BAS PLUS analyses the sensor-supplied data and, if necessary, assists the driver by increasing the braking power in relation to the proximity to the vehicle in front.



DISTRONIC PLUS

A display in the instrument cluster allows you to see at a glance how close you are to the vehicle in front





Why should a few seconds matter? For Mercedes, they are the difference between an accident and outstanding protection

PRE-SAFE® is extremely effective at preparing the car for a possible accident

Mercedes-Benz presented PRE-SAFE® in 2002 with one particular objective in mind: the valuable seconds which precede an accident usually elapse unused. PRE-SAFE® is designed to make effective use of them. The ESP® and BAS sensors identify potentially dangerous situations such as strong oversteer or understeer, critical steering movements, panic braking or emergency braking.



PRE-SAFE®
Helps ensure that a "moment of shock" remains nothing more than a moment: the anticipatory occupant protection system adjusts the sunroof, the belt system and the front passenger seat for optimum safety





The PRE-SAFE® electronics evaluate this information and, if a typical pre-crash situation is identified, trigger precautionary measures to protect the occupants – for instance the front passenger seat can be adjusted to a more favourable position, the optional sunroof closed and the seat belts pulled taut.

The S-Class is equipped with an improved version of PRE-SAFE®, whose reactions have been enhanced even further. PRE-SAFE® can now also use input from the DISTRONIC PLUS (optional extra) environment-sensing system in order to identify critical situations even more effectively. The advance protection measures also include closing of the side windows and inflation of the air chambers in the side bolsters of the optional multicontour seats or active multicontour seats with dynamic function when appropriate. Seat cushion inflation secures the occupants and so creates greater clearance between the seat and the side of the vehicle so that the sidebags provide good protection. Furthermore, you can also benefit from the support provided by PRE-SAFE® braking. In order to reduce the impact speed and thus further reduce the severity of the accident, the system not only provides audible and visible warnings if it identifies a risk of collision, but can also apply a strategic braking force to provide deceleration of up to 4 m/s². In these various ways, PRE-SAFE® illustrates Mercedes-Benz's commitment to enhanced road safety based on innovative technologies.

When it comes to the crunch, trust a Mercedes-Benz to soften the blow

Restraint systems and a passenger safety cell designed to protect you and others in the event of an accident

Numerous occupant protection systems are installed, all with the potential to reduce the risk of injury in an accident substantially. These include the standard-fit NECK-PRO front head restraints: triggered by sensors in the event of a rear impact they deploy in a matter of microseconds to reduce the distance between the seat occupant's head and the restraint. An even greater degree of lateral support is provided by the NECK-PRO luxury head restraint (standard in the S 600 and available as an option for the other models) which features two flexible side bolsters which can be adjusted individually.

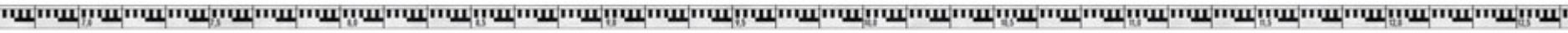
But the NECK-PRO head restraint is just one of many innovations in passive safety. Mercedes-Benz has been a pioneer in this field from the outset. For example it introduced the first three-point static seat belt in 1968.

The S-Class of today meanwhile is equipped with nine airbags, including one kneebag for the driver and two windowbags whose protection zone covers virtually the entire area of the side windows. A great deal of development work has also gone into the deployment sensors for the front airbags, one of the results being the occupant classification system which adjusts the performance of the restraint systems provided for the front passenger in accordance with the needs of the latter.

This area – namely adapting the performance of the restraint systems to the actual accident scenario – is one of many in which the S-Class is setting trends on the safety front. The sidebags and windowbags in the S-Class also feature a deployment technology new to Mercedes-Benz passenger cars: pressure sensors. If a door deforms due to an accident, the air pressure between the outer door panel and the interior of the door increases.

This change is registered by the pressure sensors whose signals support the control unit's decisions concerning deployment of the sidebags and windowbags.

Furthermore, other road users are also protected by means of the body's smooth surfaces and its excellent programmed yielding characteristics.



Even when immobilised, your Mercedes can still help

Safety after the event: helping to prevent further damage and speed up the rescue effort

To reduce consequential damage after an accident and support the work of the rescue services, a number of different actions are initiated, depending on the type and severity of the accident.

If necessary, the engine can be turned off automatically and the fuel supply can be cut off. The hazard warning lights and emergency interior lights can be automatically activated, and the side windows can be partially lowered.

Various precautions have been taken to assist the work of rescue teams, too. For example, the door locking mechanism can be released automatically after an accident. Crash joints between the wing and door can speed up rescue work by allowing the doors to be opened more easily after a frontal collision. Cutting points are marked on the front and rear windscreens to guide rescuers if they need to cut through the A and C-pillars. To further assist emergency services, Mercedes-Benz has also published multilingual rescue guidelines, which round off its all-embracing approach to safety.

They are available on the internet all over the world and in several languages at www.mercedes-benz.com/rescue-guidelines







Agility

It's rare for power to feel this smooth

Discover the true meaning of agility – with the new generation of powerful engines in the S-Class

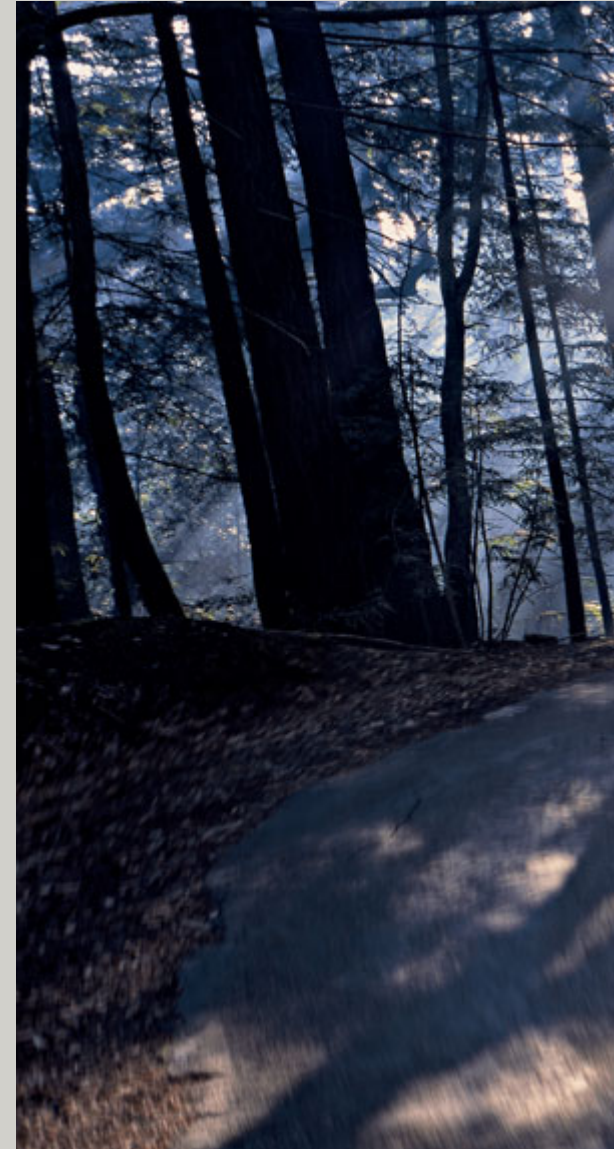
1883. It all started with a lot of noise in a darkened outhouse. When Gottlieb Daimler and his friend Wilhelm Maybach developed the first high-speed petrol engine in the greenhouse of Daimler's villa in Cannstatt, it was all a rather secretive affair – after all, the duo were intent on being the first to develop an engine small enough to fit into a carriage. Finally, after three years' work, they were able to mount it on a bicycle and Daimler took it on its first test run. Now everyone knew what had been going on in his garden workshop!



Gottlieb Daimler and Wilhelm Maybach have long since secured their place in history as inventors of the automobile. And their pioneering inventive spirit still lives on at Mercedes-Benz – for example every time our engineers develop a new engine. Developing new engines is always a challenge. As well as maximising power, it is also important to improve emissions and fuel consumption. That might sound like an impossible task – but not to our engineers.

The world's first motorcycle

The first engine that Daimler and Maybach built was still too big for the application they had in mind. The next one however, whose appearance caused it to be nicknamed the “grandfather clock”, was suitable for installation in a vehicle – albeit not a car, but the first motorcycle in the world. That said, with its wooden frame, 0.5 hp engine and iron-hooped wheels, this first motorcycle didn't have much in common with its counterparts of today





TrueBlueSolutions

Climate change is one of the major challenges of the 21st century. The rising consumption of natural resources is having an increasing impact on our planet. As the inventor of the motor car, Mercedes-Benz has a special responsibility to implement innovative technologies in order to develop solutions that help preserve the environment and ensure that raw materials are used as efficiently as possible – without compromising on comfort, safety and driving enjoyment. We call them TrueBlueSolutions.

Our goal is emission-free mobility. To achieve this goal, we have developed a number of concepts, one of which is **BlueEFFICIENCY**. This custom-designed package of efficiency measures can

reduce fuel consumption by up to 12 %: various aerodynamic and energy-management measures are implemented individually for each model to maximise savings in each case. These include tyres with low rolling resistance, lightweight materials, changes to the body aerodynamics and the automatic ECO start/stop function. As for diesel engines, Mercedes-Benz has brought to market its **BlueTEC** technology based on common-rail direct injection (CDI). This technology is the embodiment of the world's cleanest diesel as it can reduce nitrogen oxides by up to 80 %. Great things are also expected of **BlueHYBRID** technology - a combination of a highly efficient internal combustion engine and an electric motor.

Vehicles equipped with this drive system raise the bar once again in terms of economy and cleanliness, as will be shown by the S-Class from 2009 onwards. Mercedes-Benz calls the equivalent technology for diesel vehicles **BlueTEC HYBRID**. A prototype version of this system can be seen in the Vision GLK 300 BlueTEC HYBRID¹, which is currently the world's cleanest and most economical SUV. It returns a combined consumption figure of just 5.9l/100 km. And with the F700 research vehicle, we have succeeded in combining the advantages of a petrol engine with those of a diesel powerplant. The **DIESOTTO** drive at the heart of the F700 may have petrol in the tank; however, it operates like an economical diesel



BlueTEC. The world's cleanest diesel technology in a modern-day vehicle. The E-Class is also available with BlueTEC technology



BlueEFFICIENCY. Numerous models, various measures, one goal: maximum efficiency



BlueHYBRID. Looking forward to one of the world's most economical luxury saloons. The S-Class from 2009

model in many driving situations. Mercedes-Benz also sees great potential in the development of the fuel cell. This highly promising drive system requires no mineral fuel whatsoever and operates with zero emissions. The first of these vehicles to be built under series-production conditions – the B-Class F-CELL – is due in 2010.

However, our extensive TrueBlueSolutions concept does not just include new drive technologies. Under the banner **Design for Environment**, we look at the vehicle's entire lifecycle – from planning to recycling. The same applies to the building and running of new plants. We save energy, avoid pollutants and increase the use of renewable raw materials. Incidentally, Mercedes-

Benz is the world's only car brand to have received the independently awarded TÜV² environmental certificate. TrueBlueSolutions also involves the active participation of the Group and its employees in environmental protection measures both inside and outside the company's plants. And it incorporates a commitment to developing second-generation alternative fuels (BTL/Biomass-to-Liquid fuels), such as SunDiesel[®], which are not at odds with food production. Another aspect of TrueBlueSolutions is the research discipline of bionics, which looks at structures and designs in the natural world in order to optimise the weight and aerodynamics of body constructions, for example. Last but not least, you can also do

your bit for TrueBlueSolutions by adapting your driving style.

For further information on our extensive package of measures, go to www.mercedes-benz.com/truebluesolutions

¹Provisional figures: combined fuel consumption: 5.9 l/100 km; overall CO₂ emissions: 157 g/km

The figures are not based on an individual vehicle and do not constitute part of the product offer; they are provided solely for purposes of comparison between different vehicle models

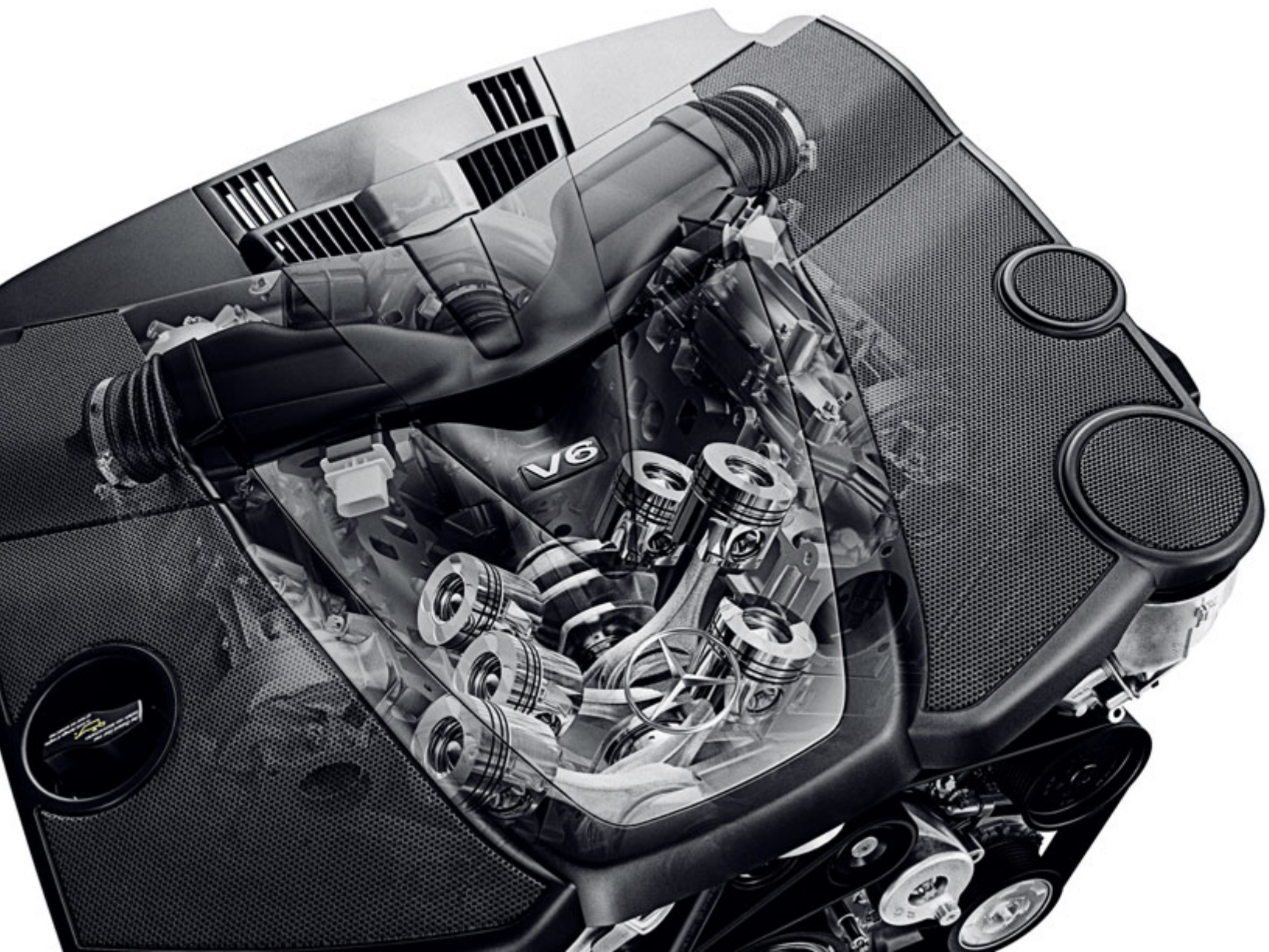
²TÜV SÜD Management Service GmbH, Munich



BlueTEC HYBRID. The Vision GLK 300 BlueTEC HYBRID¹ is the most efficient combination of BlueTEC diesel and hybrid modules



F-CELL. Emission-free mobility with the drive system of the future: the B-Class F-CELL goes into production in 2010



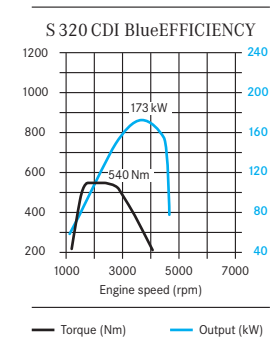
A diesel with 540 Nm was once unimaginable. A diesel with 730 Nm is now reality

The S 320 CDI BlueEFFICIENCY and S 420 CDI: record-breaking performance

The S-Class is available with V6 and V8 diesel engines. These two representatives of third-generation common-rail direct injection technology set new standards for diesel performance. In the S 320 CDI BlueEFFICIENCY, the maximum pulling power of 540 Newton metres is available from just 1600 rpm, producing torque characteristics which are unprecedented in this displacement class – plus an output of 173 kW (235 hp). Six cylinders and a balancer shaft ensure an exceptionally smooth ride.

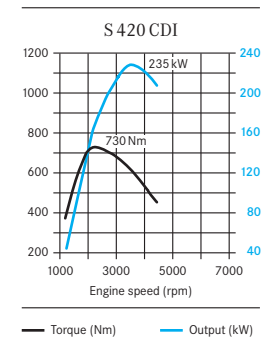
The design is also focused on minimising weight, something you'll notice above all when it comes to consumption, which averages out at 7.6 litres per 100 km (combined).

With its 730 Nm of torque the V8 diesel engine is also the most powerful in its displacement class. The S 420 CDI, which develops 235 kW (320 hp) delivers this impressive torque from just 2200 rpm. Optimised flow characteristics in the air and charge cooling stages, as well as in the intake ducts in the cylinder head, combine with the optimised turbocharger to deliver outstanding performance – and extremely quiet running, too. The diesel models are fitted as standard with a particulate filter which reduces soot emission to a minimum.



S 320 CDI BlueEFFICIENCY and S 420 CDI

With their wide rev band, the common-rail diesel engines offer sufficient reserves of power in all driving situations



One way to get more power out of an engine is to put more air in

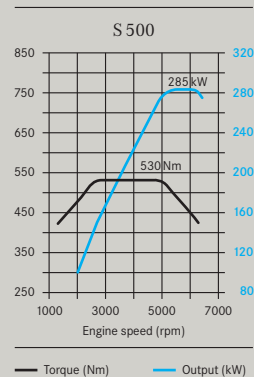
The new-generation V engines: over 25 % more power

The S 500 is the first model to be equipped with the particularly powerful 285 kW (388 hp) V8 engine which develops a maximum torque of 530 Nm. The increased performance over the previous V8 is startling. The development engineers analysed the airflow to and from the cylinders using sensors in the intake and exhaust ports. On the basis of the results they were then able to optimise the shape of the ports and, by extension, the airflow, resulting in an impressive increase in output while at the same time keeping down emissions.

For smoother power delivery, the V8 is now equipped with four valves per cylinder. Variable camshafts and the use of lightweight materials such as magnesium result in optimised power output and thus reduced fuel consumption.

All of which means that the S 450 delivers an output of 250 kW (340 hp) with a maximum torque of 460 Nm.

All these technical refinements have also been incorporated in the V6, which develops 200 kW (272 hp) and maximum torque of 350 Nm in the S 350 and combines this with good fuel consumption. The S 350 has a combined fuel consumption of 10.1 – 10.3 litres per 100 km. Combined fuel consumption for the S 500 is 11.7 – 11.9 litres.



The S 500
530 Nm of torque and an
output of 285 kW (388 hp)



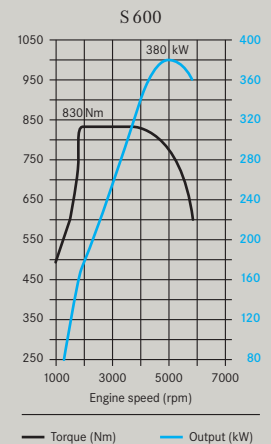


The V12, where power meets passion. The result: 830 Newton metres

The V12 biturbo engine in the S 600

At Mercedes-Benz engine design is something we are passionate about. Our Development department still lives by Gottlieb Daimler's motto: "The best or nothing!" Which explains why the jewel in our range, the V12 biturbo engine, has undergone further refinement. With its 830 Newton metres of torque, the V12 delivers power reserves in every situation. The S 600's acceleration figures are on a par with a sports car, reaching the 100 km/h mark in 4.6 seconds. The 60-degree cylinder arrangement ensures an optimum balance of forces.

The engine achieves its output of 380 kW (517 hp) thanks to the combination of two exhaust gas turbochargers and intercooling. This synthesis of cutting-edge engine technology ensures the 12-cylinder's outstanding response, maximum torque at the lowest possible engine speed and lower consumption too. The dynamism is underlined by visual refinements such as the 18-inch light-alloy wheels, with their V12 design, and the exposed tailpipes.



The S 600
The two exhaust gas turbochargers and the intercooling in the S 600 ensure an optimum response and maximum torque at low engine speeds

This automatic transmission has seven speeds. But don't expect them to draw attention to themselves

7G-TRONIC – a smooth operator that also cuts fuel consumption

The S-Class is equipped as standard with the 7G-TRONIC 7-speed automatic transmission (not available for the S 600 or S 65 AMG). The close-ratio seven-speed design means that gear changes are virtually imperceptible. The seven ratios also have the effect of reducing average engine speeds, which in turn reduces fuel consumption by up to 0.7 litres per 100 km. 7G-TRONIC is operated by means of the DIRECT SELECT steering-column gear selector.

A mode selector switch also allows you to choose between three different modes: Comfort, Sport and Manual. In Manual mode, you change gear using the DIRECT SELECT steering-wheel gear-shift buttons. In Comfort mode, the transmission shifts up sooner and a more comfortable suspension setting is adopted. The Sport mode meanwhile offers a more dynamic suspension setting, while upshifts occur at higher rpm.

Transmission modes
A completely different driving experience at the touch of a button. The set-up switch, marked S/M/C, controls both transmission mode and suspension setting



7G-TRONIC

40 years of expertise in the field of transmission construction, over eleven million automatic transmission units produced: It's all been leading up to this

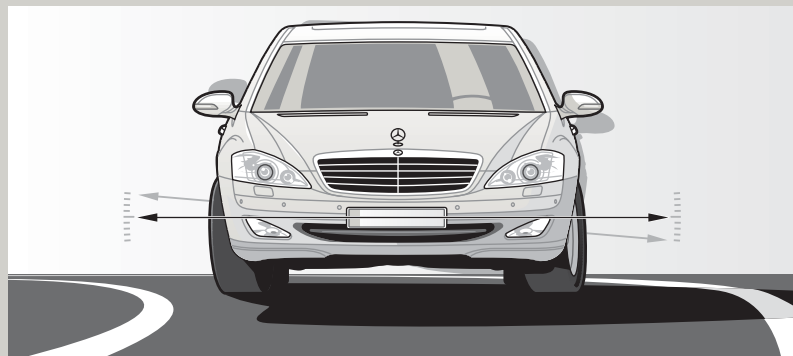


With this suspension technology, good roads come as standard

AIRMATIC and ABC – active suspension technology for even greater comfort and dynamism

The S-Class is supplied either with further improved AIRMATIC air suspension or with the optional ABC (Active Body Control) active suspension system. ABC is standard in the S 600, S 63 AMG and S 65 AMG. Both systems offer highly relaxing ride comfort as well as sporty handling.

The AIRMATIC now provides even greater comfort and agility, while on ABC-equipped vehicles, high-pressure hydraulic servos, sophisticated sensing systems and high-performance microprocessors adapt the suspension at split-second speed to changes in road conditions. Body movements are significantly reduced when starting from rest and braking, and body roll is counteracted when cornering.



ABC

ABC suspension reduces pitch and roll, thanks to the interaction of the hydraulics, springs and dampers. The speed-sensitive self-levelling suspension lowers the vehicle by up to 15 mm from 65 km/h – ensuring even more dynamic driving







4MATIC: a change in the weather doesn't have to mean a change in your plans

The newly developed all-wheel-drive system offers a higher degree of safety in wet, slippery or snowy conditions and on poor roads

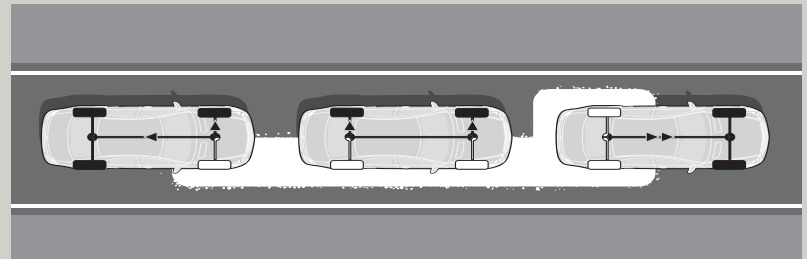
The S 320 CDI 4MATIC, S 350 4MATIC, S 450 4MATIC and S 500 4MATIC offer extra directional stability and safety on poor road surfaces. Instead of relying on conventional differential locks, the new 4MATIC generation from Mercedes-Benz uses advanced electronics.

4MATIC splits the engine power in a ratio of 45%: 55% between the front and the rear wheels –

for 100% roadholding. The permanent all-wheel-drive system 4MATIC makes use of the Electronic Stability Program (ESP®) and the 4ETS Electronic Traction System. 4ETS applies the appropriate braking force to any wheel which starts to spin, thereby allowing powerful acceleration even under adverse weather conditions or on poor road surfaces.

4ETS

The Electronic Traction System automatically directs the drive torque to the wheels which have sufficient grip







Comfort

Make your life a bed of ease – in the S-Class

S-Class comfort – a benchmark in the luxury class

1893. “Victoria!” Karl Benz is said to have burst out in Latin upon inventing his double-pivot steering system. The new steering system brought improved comfort and quickly established four-wheel motor cars as the norm. From then on, Karl Benz only built four-wheel vehicles, and whilst these still reminded one of horse-drawn carriages, they already anticipated the development of the modern automobile. The first Benz Victoria, a single-cylinder 3 hp vehicle, also featured another innovation which made it a very comfortable means of transportation: it sported solid rubber tyres rather than the previous cast-iron wheels. Even at this early stage in the history of the automobile, Karl Benz was already showing a keen interest in ride comfort.

In one of today’s Mercedes, you’ll feel at home as soon as you pull the door shut. Features like fine-quality leather upholstery or select wood trim allow the S-Class to meet even the highest expectations. The experience continues with a variety of ingenious technical refinements which help to make driving the S-Class as enjoyable as possible. They include the optional active multicontour seats with dynamic function, which make cornering an experience to look forward to. Or the further improved COMAND system, whose excellent ergonomic design makes it simple and straightforward to operate. A few quick instructions to COMAND and the S-Class adapts precisely to your needs.





The best reason for looking forward to business trips

The long-wheelbase S-Class

Take a seat in the long-wheelbase version and enjoy the ultimate S-Class experience. With ten centimetres more legroom at the rear, this S-Class provides exceptional comfort.

In the long-wheelbase version of the S-Class, it doesn't really matter where you're heading – it's all about the journey. Even work can be a pleasure thanks to features such as the optional manually adjustable folding tables and the optional rear-seat entertainment system (available for all S-Class models) which comprises two displays,

integrated in the head restraints, a DVD drive, headphone and Aux connections and a control unit in the rear. You can relax and listen to music, or keep abreast of current events, wherever you are.

Further important comfort features include the standard leather upholstery and the electrically adjustable and heated front and rear seats. Or the standard tilting/sliding sunroof and the full-size rear roller blind, both of which open and close at the press of a button. Have a good trip!





Without even taking your measurements, we've developed a seat which will fit you perfectly

The multicontour seat - individually adjustable for maximum seating comfort

To make even the longest journey in the S-Class an experience to savour, we've made further improvements to the optional multicontour seats. In addition to the air chambers in the lumbar region of the backrest, you can now also adjust the shoulder region of the backrest, along with the side bolsters, to make the seat fit you like a glove (see picture, below right). The individual zones can be precisely adjusted using the COMAND system.

The multicontour seats also feature the PRE-SAFE® positioning system. This means that if a critical situation is detected, they can be moved into a more favourable position automatically and

the air chambers can be inflated simultaneously to hold you securely in your seat.

The optional active multicontour seat with dynamic function takes things further still. In addition to offering individual adjustment, this seat now also features dynamic side bolsters on the seat cushion as well as on the backrest which inflate and deflate automatically under cornering, keeping you cosseted even on the twistiest roads. To top this off, optional luxury head restraints can be supplied which are not only adjustable for height and angle but also feature individually adjustable side bolsters.

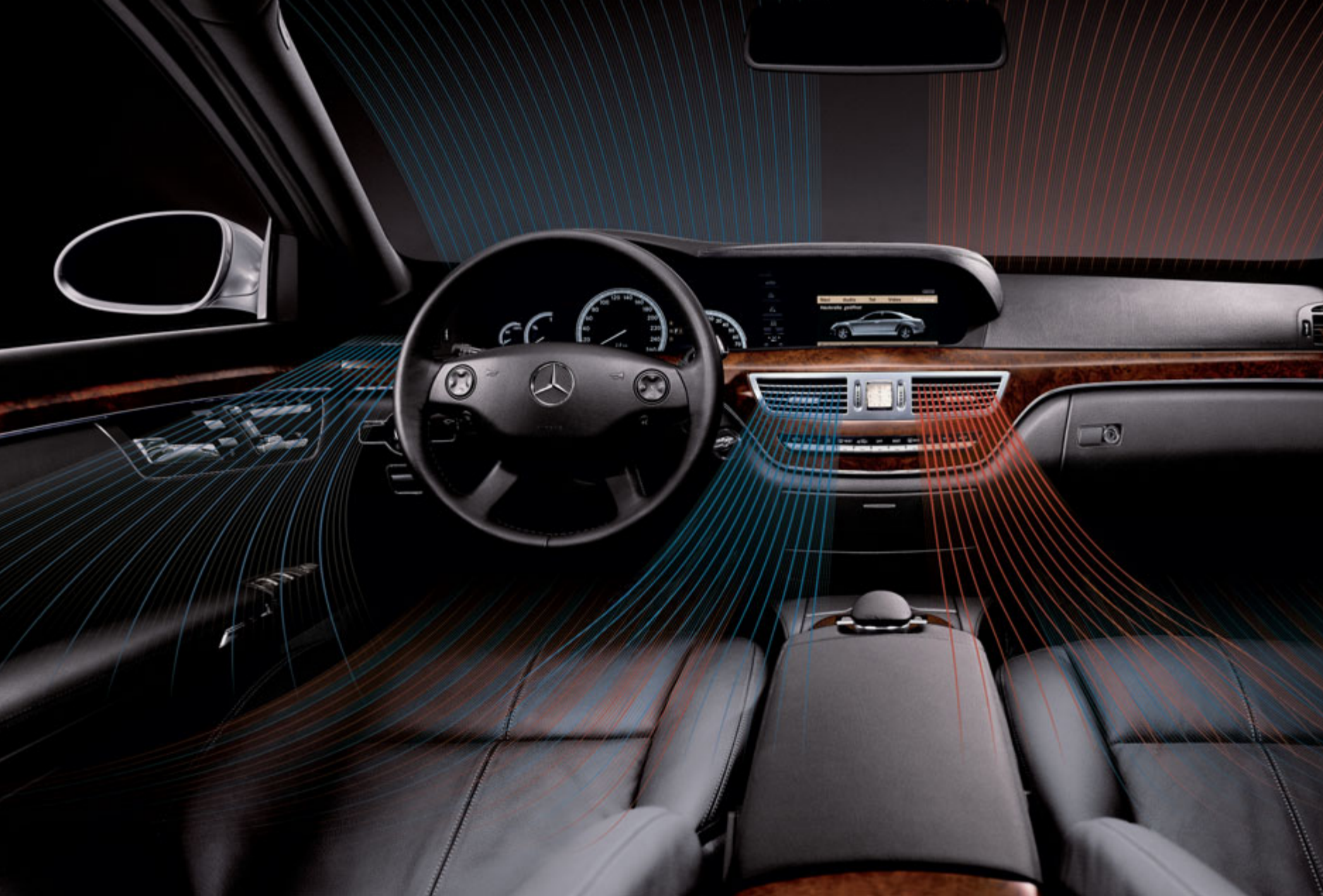
Are you sitting comfortably? Then you can begin to enjoy the massage function, with its seven massage chambers and four different programme settings. The massage function generates a rolling movement which keeps the back muscles continuously stimulated. Rear passengers too can enjoy a massage if the optional multicontour rear seats with massage function are specified.






Seating comfort

Even more remarkable than
the technology of the active
multicontour seat:
the sense of well-being
it creates





18 different climate control settings with one aim: comfort for you and your passengers

Automatic climate control systems – the right solution for every climate zone

The “Grand Mercedes” 600 model, which came out in 1963, included the world’s first fully featured automatic climate control system. With this system the company quickly made its name as a pioneer in the area of comfort and convenience. Carrying on this same tradition, a further improved automatic climate control system maintains ideal temperatures in the S-Class. With it, you can adjust the seat temperatures individually (optionally for the rear seats as well).

In addition, the automatic climate control offers three new automatic modes to adapt perfectly to your requirements.

If you like it cool but are sensitive to draughts then you can choose the “diffuse” setting. More powerful ventilation is provided in “medium” mode, while the “concentrated” mode directs the airflow to specific areas of the interior. The footwells can be adjusted to a temperature which is two steps warmer or cooler than the temperature in the rest of the vehicle interior. And the temperature and blower speed for the driver’s and front passenger’s zones can be controlled separately. It is also possible to adopt the driver’s setting for the whole of the passenger compartment.

Seven sensors distributed throughout the passenger compartment maintain the selected temperatures. They continuously monitor actual temperatures and make adjustments if there is any deviation from the desired values.

Automatic climate control

The new automatic climate control system gives you even greater control over how the air is distributed. A total of 21 air outlets allow every passenger to have exactly the temperature he or she wants

To take the comfort and convenience of the S-Class even further, COMAND is now mounted directly in your line of view

The COMAND system – see exactly what you're doing

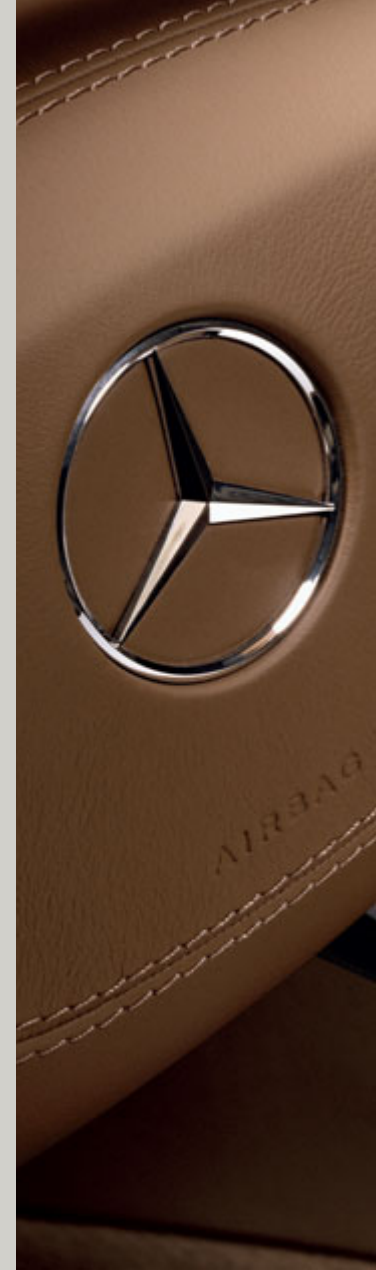
For the S-Class, we have further improved the COMAND system and taken its excellent ergonomics to new levels. The COMAND controller and the COMAND function buttons are situated close to hand on the centre console. The COMAND display – a high-resolution eight-inch TFT colour screen showing all the relevant information – has now been moved to a position more directly in the driver's line of view, so you can always see exactly what you're doing.

The COMAND controller is the system's central communication interface. It allows you to access

the COMAND menus; you can navigate the menus by moving the controller and confirm your selections by pressing it down. Frequently used functions can be controlled using the COMAND function buttons. These buttons provide quick access to the radio/DVD/CD functions and the telephone and navigation system. There is also a "favourite" button to which you can assign the function you use most frequently. This is just one more example of how the S-Class can be personalised to suit your individual needs.



COMAND display
The COMAND display is positioned next to the instrument cluster, directly in the driver's line of view









Keeping track – especially of the traffic

Instrument cluster – at-a-glance monitoring of important information

Many of the most important functions in the S-Class can be accessed without you even having to take your hands off the wheel. They are shown on the eight-inch multifunction display and can be adjusted easily thanks to the multifunction steering wheel.

To improve ease of operation, the instrument cluster employs the same logic that enables you to access the COMAND menu.

A further parallel is the menu used, which is analogous to that in the COMAND system. This facilitates fast and accurate navigation. The left-hand steering-wheel button is used to scroll through the menu. Further buttons can be used for instance to answer incoming telephone calls or to turn the volume up or down. Accessing information whilst continuing to concentrate on driving can be that easy.

Now even the smallest parking space seems bigger

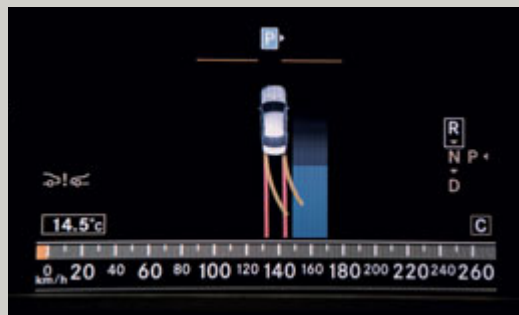
PARKTRONIC, reversing camera and Parking Guidance: parking made easier than ever

Reverse manoeuvring? Parking in a small gap at the kerb? It's simple with our optionally available parking aids. The familiar PARKTRONIC system uses visual and audible signals to warn you of any obstacles in your path.

The new reversing camera, on the other hand, offers a different approach. It is mounted in the handle of the boot lid and is activated automatically when you engage reverse gear. It shows the area to the rear of the vehicle in the form of a video image on the COMAND display. The reversing camera thus not only makes parking easier, it also provides increased safety whilst reversing.

In conjunction with DISTRONIC PLUS, Mercedes-Benz offers automatic parking guidance with radar-based measurement of the parking space. This system determines the length of parking spaces arranged parallel to the road as it drives past them, and shows them on the multi-function display as a symbolic representation. A blue icon indicates that the space is large enough.

Innovations such as these demonstrate once again that the S-Class is a car that's ahead of its time – even when it's going backwards.



Parking Guidance system

The yellow guide line on the display indicates the required steering angle and the red guide line the current angle. When the two coincide the displayed guide line turns green. An audible warning indicates when the driver needs to countersteer



ENGINE
START
STOP



AUTO

PASS AIR BAG



OFF
ESP

OFF
P



00000

Navi Audio Tel Video Fahrzeug

1-SWR1 BW 6-SWR4 S
-SWR3

2 SWR2

Radio Speicher FM Klang

19°C

AUTO

1*

AC OFF

1*

AUTO

19°C



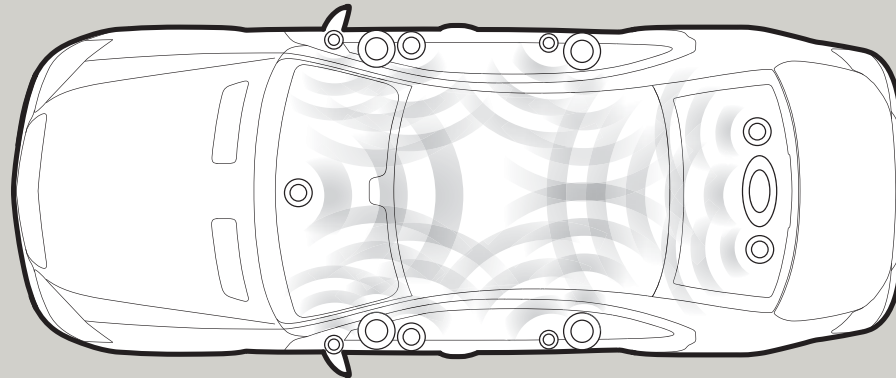
Musicians may get jealous

Harman Kardon® Logic 7® DTS, Dolby Digital 5.1 – the mobile concert hall

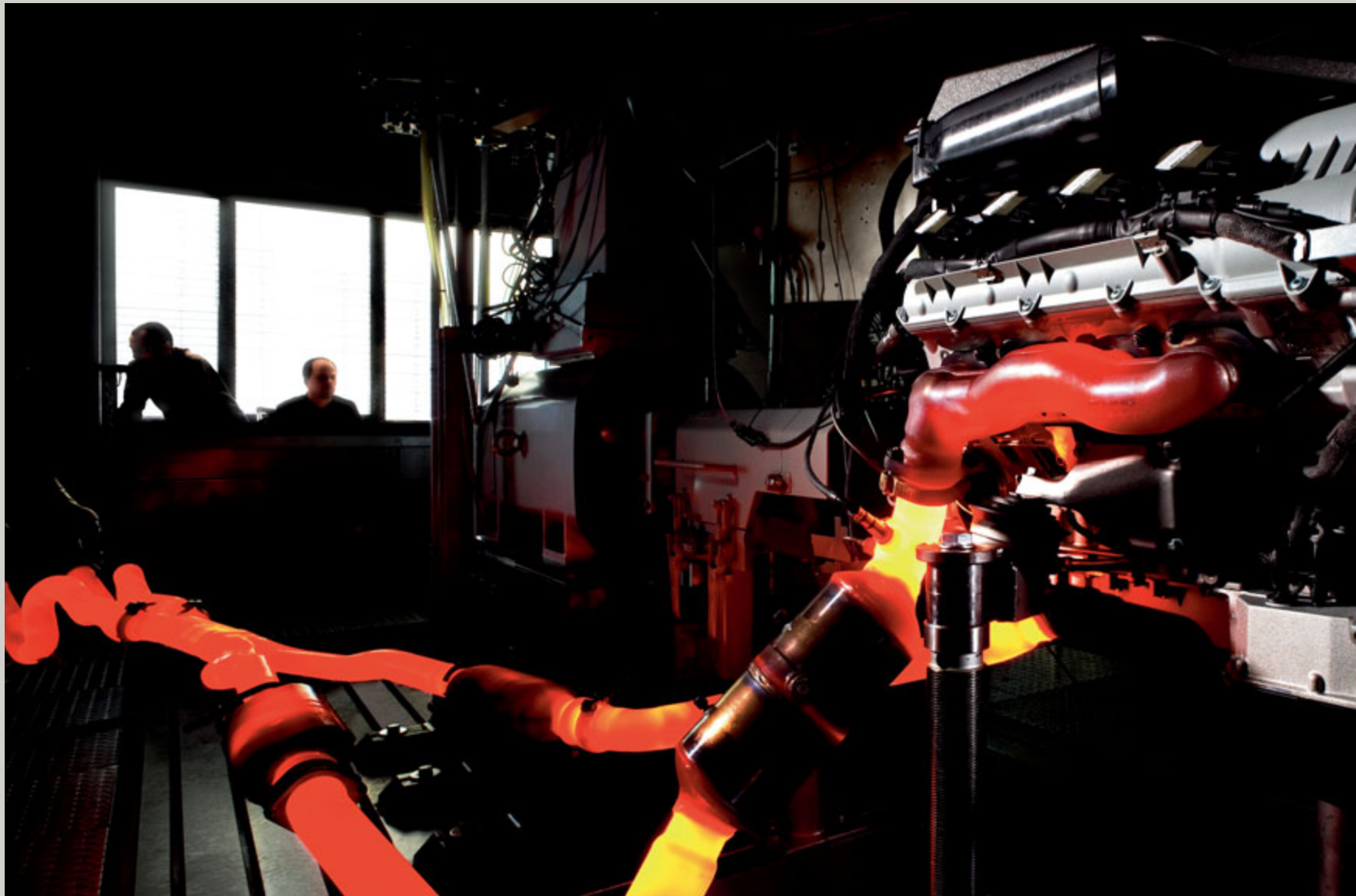
The optional Harman Kardon® Logic 7® surround sound system for the S-Class offers a new dimension in listening pleasure, allowing you to recreate a concert-hall experience at the press of a button.

The superb sound quality is due to a 600-watt 13-channel DSP amplifier which powers 14 strategically positioned high-performance loudspeakers. Aided by Dolby Digital 5.1, these provide a full three-dimensional sound experience for every seat on board.

A world first: the surround sound system also features fully digital DVD audio and DTS (Digital Theatre System) sound processing. The Digital Theatre System is also used in state-of-the-art cinemas. The processor controls the optimum reproduction of soundtracks and effects in such a way as to bring out the full dynamic range and the most subtle nuances.



Logic 7® technology
Logic 7® and strategically positioned speakers allow you to hear the music exactly as the sound engineer intended

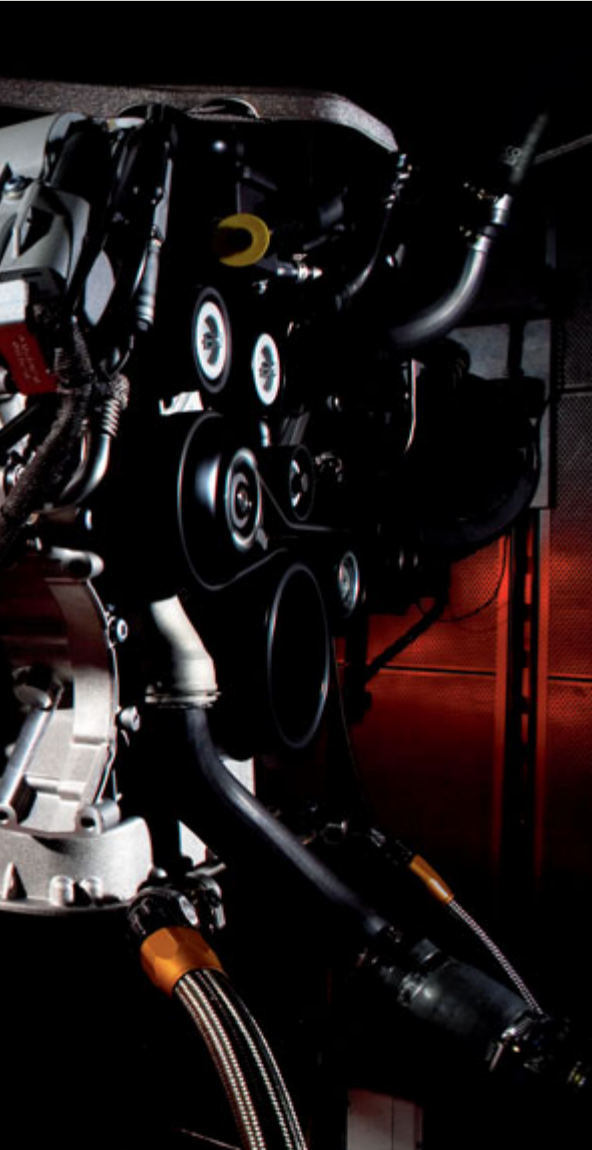


Precision is the hallmark of AMG, passion is its driving force

Mercedes-AMG: the motorsport specialists

“One man, one engine” – this philosophy embodies the sense of passion and commitment which immediately strikes anybody who visits the AMG engine “Manufaktur” in Affalterbach. Because each engine – from the installation of the crankshaft to the filling of the oil – is the responsibility of a single experienced engineer. As a result, this specialist unit is able to guarantee the highest quality and reliability for its products. And just so that you know who lavished their care on the powerplant of your Mercedes-AMG, the engine is fitted with a plate bearing the signature of its creator.

Mercedes-AMG has a long tradition of precision engineering. 40 years ago, company founders Hans Werner Aufrecht and Erhard Melcher turned their passionate interest in automotive engineering into a business: they brought motorsport to the road. Today, AMG creates not only high-performance engines, but also entire vehicle concepts designed to underline the sporty dimension of a Mercedes in every respect.



The S-Class supplies the ideas. AMG the quickest way to turn them into reality

The S 63 AMG, featuring the world's most powerful standard-production, naturally aspirated V8 engine

When you have vision, you need the drive and determination to turn your dreams into reality – before somebody else does. The new S 63 AMG, with its AMG 6.3-litre V8 engine, has an output of 386 kW (525 hp) and a maximum torque of 630 Nm. It accelerates from 0 to 100 km/h in just 4.6 seconds. The power control is equally impressive – thanks to an AMG high-performance composite brake system, AMG sports suspen-

sion and the AMG sports steering wheel with aluminium shift paddles. In the cockpit the AMG instrument cluster, with its AMG main menu and RACETIMER, lets you know the engine oil temperature, for example, and the selected gear. And on the outside the full power of the S 63 AMG is reflected by the AMG front apron, side skirts and rear apron. Specific distinguishing features of the S 63 AMG include an AMG sports exhaust

system with two oval twin tailpipes and high-shine, multi-spoke 19-inch AMG light-alloy wheels. Optional extras exclusively available for the S 63 AMG and the S 65 AMG include twin-spoke 20-inch AMG forged wheels, painted titanium grey and polished (see picture, below left).





Three letters that stand for 1000 Newton metres

The S 65 AMG: the pinnacle of the S-Class

The Affalterbach-based motorsport specialists are also responsible for developing the most powerful S-Class model: the S 65 AMG with an AMG 6.0-litre V12 biturbo engine. It develops 450 kW (612 hp) and a maximum torque of 1000 Nm. The acceleration figures – 0 to 100 km/h in 4.4 seconds – are the stuff that racing drivers' dreams are made of. At just 1000 rpm, the AMG V12 engine is already delivering 570 Nm to the crankshaft.

Like the S 63 AMG, the S 65 AMG is fitted with an AMG high-performance composite brake

system and AMG sports suspension. Gear selection is handled using the DIRECT SELECT lever and silver-coloured aluminium shift paddles on the AMG ergonomic sports steering wheel – just like in Formula 1. The cockpit features an AMG instrument cluster with the AMG main menu. And thanks to the integral RACETIMER you can even measure lap times.

On the outside, the dynamic-looking AMG front apron with large air intakes, the side skirts and the rear apron combine to make the S 65 AMG a

picture of power and athleticism. The picture is completed by an AMG sports exhaust system with two sets of chromed twin tailpipes in V12 design, plus multi-piece 19-inch AMG light-alloy wheels painted in titanium grey. Anyone seeking to give their S 65 AMG or S 63 AMG an even more personal touch need look no further than the AMG *PERFORMANCE STUDIO*. Here you can choose from AMG trim in black piano lacquer and carbon fibre, as well as 20-inch AMG forged wheels.

Inside, you will find EXCLUSIVE PASSION leather appointments with a special AMG V12 diamond quilting design. Further highlights are the AMG sports seats and the AMG sports steering wheel with AMG shift paddles. Exterior characteristics which help to identify the S 65 AMG include the 19-inch AMG light-alloy wheels







How to attract attention

AMG optional extras for the S-Class

Who says a luxury saloon and sporty styling don't go together? If this is what you're looking for, AMG bodystyling (not available for the S 600) is the answer. It comprises a powerfully styled front apron with enlarged air intakes and round, chrome-ringed fog lamps, side skirts and a striking rear apron with one chromed AMG tailpipe on each side (available for V6 and V8 petrol engines only). Optional 19-inch high-sheen 5-spoke AMG light-alloy wheels and 20-inch 5-spoke AMG light-alloy wheels, painted in titanium silver, are available to further emphasise the sporty look.

AMG bodystyling with
20-inch 5-spoke AMG
light-alloy wheels





My S-Class



Equipment

Nothing less than a baldachin would do for the Sultan of Morocco. And what about you?

Standard and optional equipment for the S-Class

1892. The first vehicle to be sold by Daimler-Motoren-Gesellschaft was a two-cylinder 2-hp Daimler model. And Daimler's first customer just happened to be the first aristocrat ever to drive an automobile with a petrol-fuelled internal combustion engine: Sultan Moulay-Hassan I of Morocco. Daimler seems to have been unflustered by such eminence however. In the logbook he simply entered: "Name: Sultan, Address: Morocco." Still, he probably had his hands full arranging to supply the first optional equipment feature ever ordered for a Daimler: a velvet baldachin. Decorated with ebony wood and gold-threaded tassels, this opulent canopy was designed to provide the Sultan with welcome shade against the fierce desert sun.

We don't offer baldachins any more. But we can meet virtually any other requirement you have for your S-Class. Complementing the already extensive standard equipment, our optional equipment meets even the highest expectations. It includes an electric rear windscreen roller blind or electric rear door roller blinds, which are probably actually even more convenient than the Sultan of Morocco's baldachin.







STANDARD EQUIPMENT
(SELECTION)

3-point seat belts, 5 front belts height-adjustable, with reversible belt tensioners with PRE-SAFE® positioning function, outer rear belts with automatic comfort-fit function and automatic belt height adjustment
7G-TRONIC 7-speed automatic transmission (not available for S 600 or S 65 AMG)
Adaptive brake lights
ADAPTIVE BRAKE with HOLD function and hill-start assist
Airbags for driver and front passenger, kneebag, sidebags and windowbags front and rear
AIRMATIC (air suspension with Adaptive Damping System and all-round self-levelling suspension)
Armrests front and rear, folding, with compartment
Automatic steering wheel adjustment on entry and exit
Boot lid with power closing and remote release
Brake Assist (BAS)
Calyptus wood trim
Central locking with remote control
COMAND system, with integral radio, 8-inch colour display, DVD drive and PCMCIA slot, MP3-capable
Cruise control with SPEEDTRONIC variable speed limiter
DIRECT SELECT gearshift with steering-wheel gearshift paddles
Doorhold
Electrically adjustable steering column
Electric parking brake with convenience release function
Electronic Stability Program (ESP®) with ABS and ASR

Front passenger seat adjustable from driver's seat
Front seats with lumbar supports; seat height and fore-and-aft position electrically adjustable, with PRE-SAFE® positioning function for front passenger
Green-tinted glass
Headlamp Assist
Heated front seats (standard from S 500)
Illuminated vanity mirrors in front and rear
Integral LED indicators in exterior mirrors
Leather upholstery (standard from S 500)
Light-alloy wheels
Locator lighting with headlamp switch-off delay
Luggage hooks and luggage nets in boot
Memory package for front seats, steering column and exterior mirrors (right with parking position) (optional extra for S 320 CDI BlueEFFICIENCY, S 350, S 420 CDI and S 450)
Metallic paint (standard from S 500)
Multifunction steering wheel
NECK-PRO head restraints for front seats
Power windows, 4, with PRE-SAFE® closing function
Rain sensor with two sensitivity settings
Spectacles compartment in overhead control unit
Speed-sensitive power steering
Tinted, noise-insulating, infrared-reflecting laminated glass all round (optional extra for S 320 CDI BlueEFFICIENCY and S 350)
TIREFIT tyre sealant with electric pump
Tyre pressure loss warning system

ADDITIONAL STANDARD EQUIPMENT FOR
LONG-WHEELBASE VERSION

Electrically operated tilting/sliding glass sunroof with PRE-SAFE® closing function
Front passenger seat adjustable from rear
Heated seats front and rear
Leather upholstery
Rear bench seat with electrically adjustable outer seats including PRE-SAFE® positioning function for bench seat and outer head restraints
Roller blind for rear window

ADDITIONAL STANDARD EQUIPMENT FOR S 600
AND S 65 AMG (SELECTION)

Active Body Control (ABC)
Active multicontour front seats with PRE-SAFE® positioning function
Ambient lighting
Bi-xenon headlamps with active light function and cornering light function
Climatised seats front and rear
COMAND APS with hard-disc navigation system
EXCLUSIVE PASSION leather
Harman Kardon® Logic 7® DTS surround sound system, Dolby Digital 5.1, 14 loudspeakers, 600 watt
High-gloss natural poplar wood trim
KEYLESS-GO package comprising KEYLESS-GO and remote boot lid closing
Light-alloy wheels, 18-inch, V12-design
Luxury head restraints front and rear
Multicontour rear seats with massage function, with PRE-SAFE® positioning function
NECK-PRO luxury front head restraints
Wood/leather steering wheel

True greatness always reveals itself in the details

The equipment for the S 600

The standard equipment for the S 600 leaves very little to be desired. On board the S-Class you are surrounded by EXCLUSIVE PASSION leather upholstery. This fine leather not only trims the active multicontour front seats, the multicontour rear seats with massage function and the doors but the centre console and dashboard too. The A, B and C-pillars are trimmed in complementary Alcantara – as is the roof lining, which is made even more attractive by its longitudinal piping design. The doors, dashboard, armrest and steering wheel feature exclusive natural poplar wood trim; or you can opt for classic burr walnut trim.

Dynamic exterior looks are guaranteed by the 18-inch V12-design light-alloy wheels and the visible tailpipes. Your journey begins with KEYLESS-GO. For relaxed night-time driving, you can switch the ambient lighting to your preferred setting. And the outstanding sound from the Harman Kardon® Logic 7® surround sound system makes every trip a joy.

When driving you are supported by various features, including the COMAND APS hard-disc navigation system and when you arrive at your destination you are assisted by PARKTRONIC.





When less means more

The panoramic sunroof – redefining the meaning of “panoramic”

If you want to create an even more spacious feel in the S-Class, the simplest solution is probably to opt for the panoramic sliding roof. Optionally available for the long-wheelbase version of the S-Class, this feature not only allows you to see more of the outside world, it also adds a new dimension to the sense of space inside.

The panoramic sunroof is electrically powered and convenient to operate. It can be tilted up like a normal sunroof, or, if you want even more fresh air, the front part can be slid back at the press of a button. Simultaneously, a wind deflector pops up to prevent turbulence – not just for the passengers in front but also for those at the rear.

To provide protection against strong sunlight, two separately adjustable electrically powered roof blinds can be drawn across the roof.







Easy on the eye

Ambient lighting – tasteful night-time illumination

Ambient lighting is a new concept in interior lighting from Mercedes-Benz. As well as highlighting the attractive interior design, it also makes the occupants feel comfortable and at ease when travelling at night.

A narrow LED-powered band of light runs along the wood trim strips on all four doors and the dashboard. Ambient lighting creates a special lighting mood, making the interior seem larger but also more cosy. The lighting can remain on throughout the journey, without interfering with the driver's view.

Using the COMAND system, you can set the brightness of the optional ambient lighting to five different levels to suit your personal preference. You will even be welcomed by the ambient lighting: when you open the doors, the light band lights up to the brightest level; after the doors are closed it is then dimmed to your selected setting.





Tilting/sliding glass sunroof, electric, with PRE-SAFE® closing function



Rear door roller blinds, electric



Rear windscreen roller blind, electric



KEYLESS-GO

SELECTION	S 320 CDI BlueEFFICIENCY ¹	S 350 ¹	S 420 CDI	S 450 ¹	S 500 ¹	S 600	S 63 AMG	S 65 AMG
Active Body Control ABC (not in conjunction with 4MATIC)	-	-	●	●	●	□	□	□
Active multicontour front seats with massage and dynamic function incl. PRE-SAFE® positioning function	●	●	●	●	●	□	●	□
Air conditioning in rear	●	●	●	●	●	●	●	●
Ambient lighting	●	●	●	●	●	□	●	□
Anti-theft alarm system with tow-away protection and infrared interior monitoring	●	●	●	●	●	□	●	□
Auxiliary heater with remote control (including heated windscreen washer system)	●	●	●	●	●	●	●	●
Bi-xenon headlamps with active light function and cornering light function	●	●	●	●	●	□	●	□
Child safety package comprising ISOFIX child seat attachment points in rear and automatic child seat recognition in front passenger seat	●	●	●	●	●	●	□	□
Climatised seats, front and rear (heated and ventilated, perforated leather)	●	●	●	●	●	□	●	□
COMAND APS with hard-disc navigation system	●	●	●	●	●	□	●	□
DISTRONIC PLUS proximity control incl. Parking Guidance system, Blind Spot Assist and BAS PLUS Brake Assist and PRE-SAFE® Brake system	●	●	●	●	●	●	●	●
Double cup holder in front	●	●	●	●	●	●	●	●
DVD changer (for 6 DVDs)	●	●	●	●	●	□	●	□
Electrically operated panoramic sliding sunroof with PRE-SAFE® closing function, one-touch control and obstruction sensor (only in conjunction with long-wheelbase version)	●	●	●	●	●	□	●	□
Electrically operated tilting/sliding glass sunroof with PRE-SAFE® closing function (standard for long-wheelbase version)	●	●	●	●	●	●	●	●
Garage-door opener in interior mirror	●	●	●	●	●	□	●	□
Harman Kardon® Logic 7® DTS surround sound system, Dolby Digital 5.1, 14 loudspeakers, 600 watt	●	●	●	●	●	□	●	□

● Optional extra

□ Standard

- Not available

¹ Also available in conjunction with 4MATIC

SELECTION	S 320 CDI BlueEFFICIENCY ¹	S 350 ¹	S 420 CDI	S 450 ¹	S 500 ¹	S 600	S 63 AMG	S 65 AMG
Heated steering wheel	●	●	●	●	●	●	●	●
Individual rear seats (only in conjunction with long-wheelbase version)	●	●	●	●	●	●	●	●
KEYLESS-GO package comprising KEYLESS-GO and remote boot lid closing	●	●	●	●	●	□	●	□
Luxury rear head restraints (for outer seats)	●	●	●	●	●	□	●	□
Manually operated folding tables in rear, integrated in driver's and front passenger seat backs	●	●	●	●	●	●	-	-
Memory function for rear seats	●	●	●	●	●	●	●	●
Memory package for front seats, steering column and exterior mirrors (right with parking position)	●	●	●	●	□	□	□	□
Mobile phone with universal interface, hands-free system and aerial	●	●	●	●	●	□	●	□
Multicontour rear seats with massage function and PRE-SAFE [®] positioning function	●	●	●	●	●	□	●	□
Multicontour rear seats with PRE-SAFE [®] positioning function	●	●	●	●	●	-	□	-

¹ Also available in conjunction with 4MATIC

Rear seat entertainment system



Pre-installation for telephone, with keypad



SELECTION	S 320 CDI BlueEFFICIENCY ¹	S 350 ¹	S 420 CDI	S 450 ¹	S 500 ¹	S 600	S 63 AMG	S 65 AMG
Night view assist, including heat/noise-insulated, infrared-reflecting front windscreen	●	●	●	●	●	●	●	●
Rear bench seat with electrically adjustable outer seats and head restraints and PRE-SAFE [®] positioning function (standard for long-wheelbase version)	●	●	●	●	●	□	●	□
Rear door roller blinds, electric	●	●	●	●	●	●	●	●
Rear seat entertainment system	●	●	●	●	●	●	●	●
Rear windscreen roller blind, electric (standard for long-wheelbase version)	●	●	●	●	●	□	●	□
Refrigerated compartment in rear armrest	●	●	●	●	●	●	●	●
Reversing camera	●	●	●	●	●	●	●	●
Ski bag	●	●	●	●	●	●	●	●
TV tuner (for analogue and digital reception)	●	●	●	●	●	●	●	●
Tyre pressure monitoring system	●	●	●	●	●	●	●	●

● Optional extra □ Standard – Not available

Tyre pressure monitoring system



Folding table (manual)





Individuality made easy

The light-alloy wheels for the S-Class

Which light-alloy wheels you choose for your S-Class will be a matter of personal taste. The range includes the optional high-shine 19-inch 5-spoke AMG wheels and titanium-silver-painted 20-inch 5-spoke AMG wheels. 17-inch 7-spoke wheels (standard on the S 320 CDI BlueEFFICIENCY and S 350) and 17-inch 5-spoke wheels (standard on the S 420 CDI, S 450 and S 500) are also available. Alternatively, you can also opt for 18-inch 9-spoke wheels or the even more imposing 19-inch multi-spoke wheels (both optionally available for all models, except AMG).

20-inch 5-spoke AMG light-alloy wheels,
painted in titanium silver



17-inch 7-spoke light-alloy wheels



17-inch 5-spoke light-alloy wheels



18-inch 9-spoke light-alloy wheels



18-inch 7-twin-spoke light-alloy wheels



19-inch multi-spoke light-alloy wheels



19-inch 9-twin-spoke light-alloy wheels

Genuine accessories



Express your style

Exclusive selection

The light-alloy wheels from the range of Mercedes-Benz genuine accessories perfectly match the whole style and tone of the S-Class – for one thing, they’re built to the highest quality standards. Everything else about them is up to you. Take your pick from the “Almach” 17-inch 5-twin-spoke incenio designer wheel, the “Eridanus” 18-inch 5-twin-spoke incenio designer wheel, the “Armida” 18-inch 9-spoke incenio designer wheel and the “Alaraph” 20-inch 10-spoke incenio designer wheel. These wheels express not only the character of the S-Class but also your own personal style.

Taking your favourite music with you when you’re on the move has never been easier than with the Mercedes-Benz iPod® Interface Kit. The special socket installed in the glove compartment connects your iPod® to the S-Class’s audio system. To operate the iPod® during your journey, you simply use the multifunction steering wheel and the multifunction display.

The range of Mercedes-Benz genuine accessories offers you a wide selection of high-quality items to choose from. Please see our accessories brochure for further details, or contact your Mercedes-Benz dealership, who will be happy to advise you.



17-inch "Almach" 5-twin-spoke incenio designer wheel



18-inch "Eridanus" 5-twin-spoke incenio designer wheel



18-inch "Armida" 9-spoke incenio designer wheel



20-inch "Alaraph" designer wheel

The S-Guard – the fine art of protection

S-Guard: “Integrated Protection”, ballistic protection for the S 600

When we developed the first special-protection version of a Mercedes Nürburg model in 1928, we invented a principle which is still valid today: integrated protection. Indeed, this principle of a factory-integrated comprehensive protection system is what makes Mercedes-Benz Guard vehicles so special. The passenger cell is redesigned from scratch and reinforced with effective protection elements all round, a particular advantage of this approach being that it makes it possible to protect those areas where postproduction access would be impossible. Working literally from the inside to the outer skin, we integrate numerous safety components to form a highly effective protection system.



Integrated at the factory, this sophisticated protective structure of high-strength steel, aramid fibre and special glass is almost imperceptible from the outside. It goes without saying that, like all Mercedes vehicles, the S-Guard also has to pass all the most important quality and safety tests. These are followed by special-protection tests such as resistance to ballistic weapons and explosives. Only then can it be called an S-Guard, certified by independent authorities and equipped for extreme situations.

Of course, you can still enjoy all the comforts you would expect from the S-Class. Furthermore, with Mercedes-Benz Guard, you can be confident that all the safety components such as the elec-

This special-protection Mercedes 770 Pullman limousine was delivered to Emperor Hirohito in 1932

tronic dynamic handling control systems, brakes and chassis are matched to the demands placed on them by the additional weight of the S-Guard. The S 600 Guard responds to the needs of customers who require the highest levels of both special protection and exclusive comfort. It sets the standard with one overriding objective – to provide you and your passengers with the best possible protection.







Two ways of demonstrating uniqueness

The designo individualisation range

The designo range lets you give your S-Class a personal touch. Because you can simply choose from a wide range of high-quality appointments to suit your own tastes. Or you can make the decision easier by going for one of the two exclusive equipment packages that our designers have already created for you. The designo Edition I provides a harmonious combination of contrasting colours. Pastel yellow aniline leather adds a special touch in conjunction with the black basic appointments. The Alcantara roof liner in anthracite and the trim elements in high-gloss designo piano lacquer round off the package.

The designo Edition II envelops your S-Class in a world of subtle shades. Coordinating with the roof liner, also trimmed in anthracite Alcantara, and the black basic appointments, the designo Edition II package includes superbly finished armagnac-coloured seats in designo aniline leather. The backs of the seats are trimmed with black nappa leather. The wood trim elements have been painstakingly crafted in exclusive designo natural maple grain.

Whichever of the two Editions you prefer, you can emphasise the exclusivity of your S-Class. And your own personality.



Left: designo Edition I
(Code Y01)

Right: designo Edition II
(Code Y02)





You decide. We come up with something to your tastes

designo – personal elegance

Give your vehicle personality – yours. The hand-finished designo range offers ample inspiration with its wide range of colours, exclusive trim elements and high-quality materials. Starting with the exterior paintwork, you have a range of new options with ten additional colours. In the interior you can choose between aniline leather or thick, soft natural leather in many expres-

sive colours and adapt the trim elements to your requirements. In addition to the characteristic seat pattern with the ten-rib vertical fluting and the designo metal badge in the backrests, it is essentially your good style that expresses the exclusivity of your Mercedes. And you can add the final touch to your vehicle with a wood/leather steering wheel or an Alcantara roof liner.

Upholstery: designo
EXCLUSIVE aniline leather,
pastel yellow (X12).
Trim parts: designo
star galaxy stone (W73).
Extra: wood/leather
steering wheel
(Y95)

designo leather upholstery
in combination with stone
trim elements in designo
star galaxy (W73)





The irresistible beauty of a beautifully resistant finish

The extra-scratch-resistant clearcoat on the S-Class

Stars are meant to shine, therefore we have followed our tradition of doing things first and developed the best clearcoats available in the automobile market. This innovative paint system by Mercedes-Benz has made it possible to achieve another significant improvement in the high-quality visual impression and therefore the value retention of our vehicles. This clearcoat developed by Mercedes-Benz is more resistant than conventional clearcoats by virtue of its particularly dense molecular structure. It also produces a more

lasting and noticeably more intense sheen. Whether you choose a metallic or non-metallic paint finish, this more scratch-resistant clearcoat is less sensitive to weathering and environmental influences, rain and snow, sunlight and temperature fluctuations. It is also more resistant to chemical attack and physical wear and tear, e.g. automatic car washes. You can rest assured that your new Mercedes will continue to shine elegantly throughout its long life.



The S-Class paintwork adds the dazzling finishing touch to the advanced corrosion protection system from Mercedes-Benz. The panels are coated, among other things, with a layer of zinc phosphate and cathodic dip primer to ensure long-lasting corrosion protection. We also mainly use water-based paints and primers to ensure the environmental compatibility of our vehicles.

NON-METALLIC PAINTS

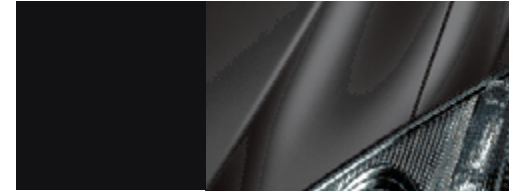


040 black



650 calcite white

METALLIC PAINTS¹



112 chromite black



197 obsidian black

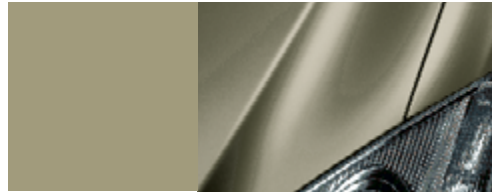


300 periclase green

SPECIAL PAINT FINISH



359 tanzanite blue



723 cubanite silver



370 andorite grey



368 flint grey



775 iridium silver



544 carneol red



798 sandine beige

¹ Please refer to our designo brochure for information on designo paintwork

Your favourite chair's been moved – to the S-Class

S-Class leather – the feel of elegance

For the interior upholstery of your S-Class we offer carefully selected materials: leather and PASSION leather. PASSION leather was specially developed for the S-Class. This is an unembossed, lightly coated smooth leather, characterised above all by its natural look and soft, comfortable feel. The use of a new surface treatment has significantly improved the durability and the natural qualities of the leather, such as its ability to wick moisture away from the body and its insulating qualities. The result is significantly enhanced comfort.

PASSION leather provides a particularly effective complement to the attractive interior décor created by our stylists. Five different colour combinations are available. And, whichever colour combination you have chosen, you can make the interior of your car even more luxurious by specifying EXCLUSIVE PASSION leather. This option includes further PASSION leather trim elements in the doors, the dashboard and centre console. The roof lining and the A, B and C-pillars are trimmed in Alcantara.

But whatever material you choose, you will always be sure of complementing and enhancing the unique style and character of your S-Class.

FABRIC

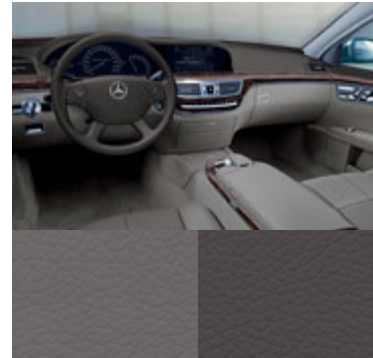


001 black

LEATHER COLOUR
COMBINATIONS³



black / black
201 leather
801 PASSION leather
501 EXCLUSIVE PASSION leather¹



basalt grey / dark basalt grey
208 leather
808 PASSION leather
508 EXCLUSIVE PASSION leather¹



basalt grey / black²
258 Leather
858 PASSION leather
558 EXCLUSIVE PASSION leather¹



cashmere beige / savanna beige
204 leather
804 PASSION leather
504 EXCLUSIVE PASSION leather¹



sahara beige / black²
255 Leather
855 PASSION leather
555 EXCLUSIVE PASSION leather¹

¹ Dashboard, doors and centre console in PASSION leather; roof lining and A, B and C-pillars in Alcantara

² Not available for S 63 AMG or S 65 AMG

³ Please refer to our designo brochure for information on designo leather appointments



	FABRIC black	LEATHER black/black cashmere beige/savanna beige basalt grey/dark basalt grey sahara beige/black basalt grey/black					PASSION LEATHER black/black cashmere beige/savanna beige basalt grey/dark basalt grey sahara beige/black basalt grey/black					EXCLUSIVE PASSION LEATHER black/black cashmere beige/savanna beige basalt grey/dark basalt grey sahara beige/black basalt grey/black				
--	------------------------	--	--	--	--	--	--	--	--	--	--	--	--	--	--	--

NON-METALLIC PAINTS

black	●	●	●	●	●	●	●	●	●	●	●	●	●	●	●	●
calcite white	●	●	○	●	△	●	●	○	●	△	●	●	○	●	△	●

METALLIC PAINTS

chromite black	●	●	○	●	●	●	●	●	●	●	●	●	●	●	●	●
obsidian black	●	●	●	●	●	●	●	●	●	●	●	●	●	●	●	●
periclase green	●	●	●	●	○	●	●	●	●	○	●	●	●	●	○	●
tanzanite blue	○	○	○	●	●	●	○	○	●	●	●	○	○	●	●	●
flint grey	●	●	△	○	○	●	●	△	○	○	●	●	△	○	○	●
carneol red	●	●	○	●	●	●	●	○	●	●	●	●	○	●	●	●
cubanite silver	●	●	△	○	○	○	●	△	○	○	○	●	△	○	○	○
iridium silver	●	●	△	●	△	●	●	△	●	△	●	●	△	●	△	●
sanidine beige	●	●	●	△	●	△	●	●	△	●	△	●	●	△	●	△

SPECIAL PAINT

andorite grey	●	●	△	○	△	○	●	△	○	△	○	●	△	○	△	○
---------------	---	---	---	---	---	---	---	---	---	---	---	---	---	---	---	---

● Recommended ○ Possible △ Not recommended



This is one material even our researchers can't improve on

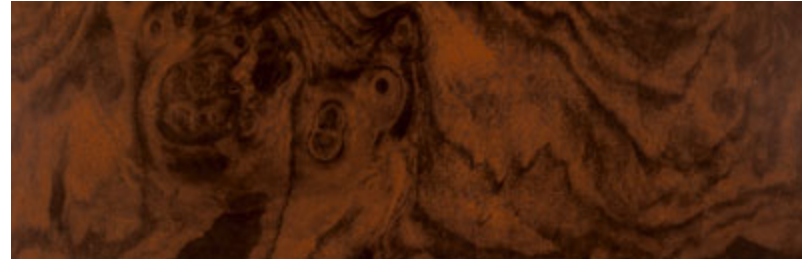
Wood trim for the S-Class – another taste of exclusiveness

Wood is a natural product which ensures that every S-Class is both exclusive and unique. Because no two wood trim parts are ever exactly alike. That said, however, they do all have one thing in common: they were all carefully selected by experts who travel all over the world looking for the best-quality raw materials. The burr walnut wood for example is imported from California.

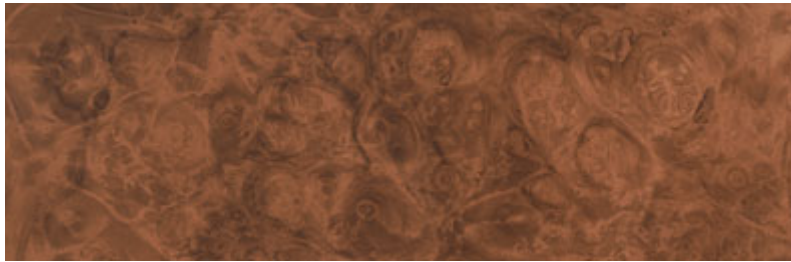
Before the wood is ready to be fitted in one of our vehicles, our craftsmen apply their skills in numerous elaborate processing steps which turn the raw materials into a trim part worthy of the S-Class.¹



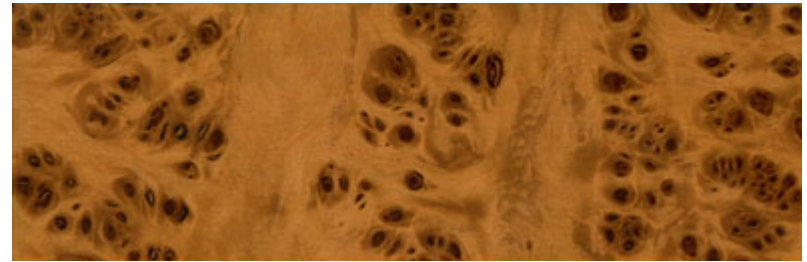
Calyptus



Dark burr walnut (high-gloss)



Burr walnut (silk matt)



Natural poplar (high-gloss)²

¹ Please refer to our designo brochure for information on designo trim

² Exclusively available for S 63 AMG and S 65 AMG

	<i>S 320 CDI BlueEFFICIENCY</i>	<i>S 320 CDI 4MATIC</i>	<i>S 350</i>	<i>S 350 4MATIC</i>	<i>S 420 CDI</i>
No. of cylinders/arrangement	6/V	6/V	6/V	6/V	8/V
Bore/stroke (mm)	83.0/92.0	83.0/92.0	92.9/86.0	92.9/86.0	86.0/86.0
Total displacement (cc)	2987	2987	3498	3498	3997
Rated output ² (kW at rpm)	173/3600	173/3600	200/6000	200/6000	235/3600
Rated torque ² (Nm at rpm)	540/1600-2400	540/1600-2400	350/2400-5000	350/2400-5000	730/2200
Compression ratio	18:1	18:1	10.7:1	10.7:1	18:1
Alternator (V/A)	12/220	12/220	12/180	12/180	12/220
Acceleration from 0 to 100 km/h (s)	7.8	7.8	7.3	7.3	6.6
Top speed, approx. (km/h)	250 ³	245	250 ³	250 ³	250 ³
Tyre size front	235/55 R 17	235/55 R 17	235/55 R 17	235/55 R 17	235/55 R 17
rear	235/55 R 17	235/55 R 17	235/55 R 17	235/55 R 17	235/55 R 17
Fuel	Diesel	Diesel	Premium unleaded	Premium unleaded	Diesel
Fuel consumption ⁴ (l/100 km) urban (long-wheelbase version)	10.4-10.6 (10.5-10.7)	12.0-12.2 (12.0-12.2)	14.5-14.7 (14.5-14.7)	15.0-15.2 (15.1-15.3)	13.0-13.2 (13.0-13.2)
extra-urban (long-wheelbase version)	5.9 (6.0)	7.1-7.3 (7.1-7.3)	7.7-7.9 (7.7-7.9)	8.2-8.4 (8.3-8.5)	7.2-7.4 (7.2-7.4)
combined (long-wheelbase version)	7.6 (7.7)	8.7-8.9 (8.7-8.9)	10.1-10.3 (10.1-10.3)	10.6-10.8 (10.7-10.9)	9.4-9.6 (9.4-9.6)
CO ₂ emissions ³ (g/km) combined (long-wheelbase version)	199-201 (202-204)	227-231 (227-231)	242-247 (242-247)	254-259 (256-261)	247-252 (247-252)
Tank capacity (l)/incl. approx. reserve	90/11	90/11	90/11	90/11	90/11
Turning circle diameter (m) (long-wheelbase version)	11.8 (12.2)	11.8 (12.2)	11.8 (12.2)	11.8 (12.2)	11.8 (12.2)
Boot capacity (l)	560	560	560	560	560
Kerb weight ⁵ (kg) (long-wheelbase version)	1955 (2000)	2025 (2070)	1880 (1925)	1950 (1995)	2090 (2140)
Perm. GVW (kg) (long-wheelbase version)	2550 (2580)	2625 (2655)	2475 (2505)	2550 (2580)	2640 (2660)

S 450	S 450 4MATIC	S 500	S 500 4MATIC	S 600¹	S 63 AMG	S 65 AMG¹
8/V	8/V	8/V	8/V	12/V	8/V	12/V
92.9/86.0	92.9/86.0	98.0/90.5	98.0/90.5	82.0/87.0	102.2/94.6	82.6/93.0
4663	4663	5461	5461	5513	6208	5980
250/6000	250/6000	285/6000	285/6000	380/5000	386/6800	450/4800
460/2700-5000	460/2700-5000	530/2800-4800	530/2800-4800	830/1800-3500	630/5200	1000/2000-4000
10.5	10.5	10.7	10.5	9.0	11.3	9.0
12/180	12/180	12/180	12/180	12/220	12/220	12/220
5.9	5.9	5.4	5.4	4.6	4.6	4.4
250 ³	250 ³	250 ³	250 ³	250 ³	250 ³	250 ³
235/55 R 17 235/55 R 17	235/55 R 17 235/55 R 17	235/55 R 17 235/55 R 17	235/55 R 17 235/55 R 17	255/45 R 18 275/45 R 18	255/40 R 19 275/40 R 19	255/40 R 19 275/40 R 19
Premium unleaded	Premium unleaded	Premium unleaded	Premium unleaded	Super Plus	Super Plus	Super Plus
16.5-16.7 (16.6-16.8) 8.1-8.3 (8.2-8.4) 11.2-11.4 (11.3-11.5)	16.9-17.1 (17.0-17.2) 8.5-8.7 (8.6-8.8) 11.6-11.8 (11.7-11.9)	17.4-17.6 (17.5-17.7) 8.5-8.7 (8.6-8.8) 11.7-11.9 (11.8-12.0)	18.0-18.2 (18.1-18.3) 8.8-9.0 (8.9-9.1) 12.1-12.3 (12.2-12.4)	(21.7) (10.0) (14.3)	(23.2) (10.2) (14.9)	(23.1) (10.0) (14.8)
267-272 (269-274)	277-282 (279-284)	279-283 (281-286)	289-294 (291-296)	- (340)	(355)	- (355)
90/11	90/11	90/11	90/11	90/11	90/14	90/14
11.8 (12.2)	11.8 (12.2)	11.8 (12.2)	11.8 (12.2)	- (12.2)	11.8 (12.2)	- (12.2)
560	560	560	560	560	560	560
1940 (1985)	2010 (2055)	1940 (1985)	2010 (2055)	(2210)	2070 (2115)	(2260)
2545 (2565)	2620 (2640)	2545 (2565)	2620 (2640)	(2690)	2595 (2615)	(2705)

¹ Long-wheelbase version

² Figures according to Directive 80/1269/EEC in the currently applicable version

³ Electronically governed

⁴ The figures shown were obtained in accordance with the prescribed measuring process (Directive 80/1268/EEC in the currently applicable version). The figures are not based on an individual vehicle.

and do not constitute part of the product offer; they are provided solely for purposes of comparison between different vehicle models

⁵ Figures according to Directive 92/21/EC, version 95/48/EC (kerb weight with fuel tank 90 % full, driver, 68 kg, and luggage, 7 kg) for standard-specification vehicles. Optional extras and accessories will generally increase this figure and reduce the payload capacity accordingly

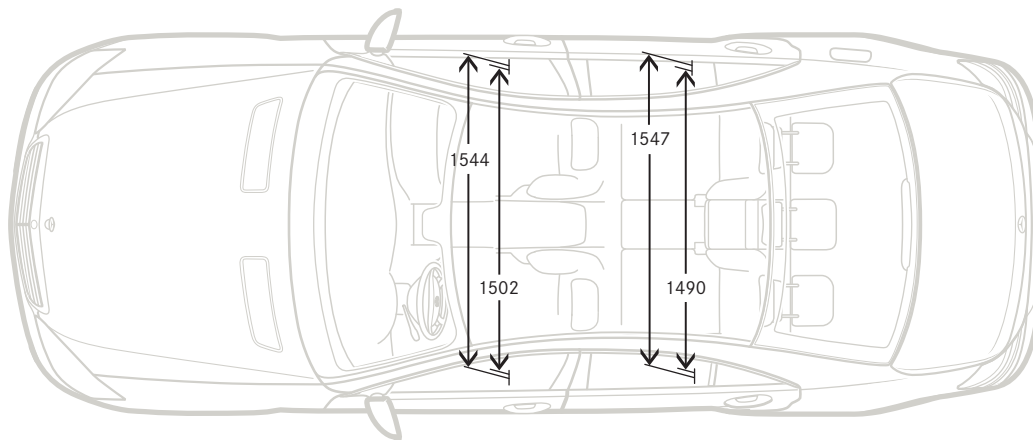
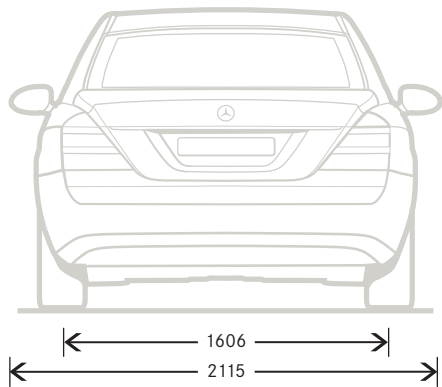
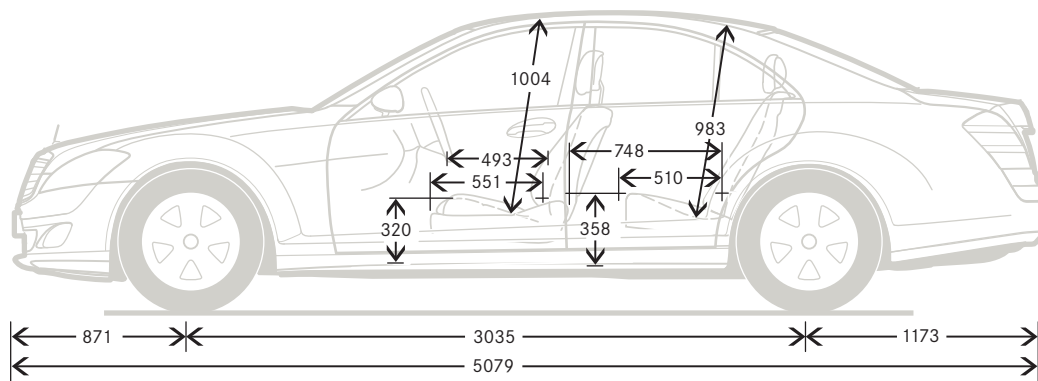
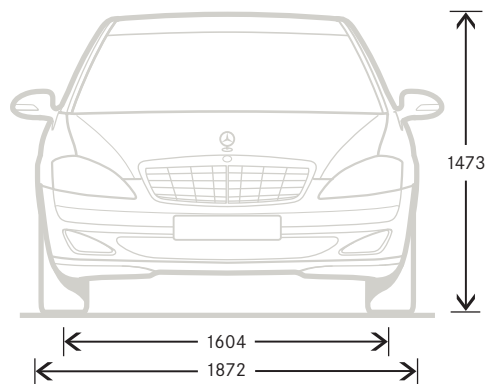


S 350

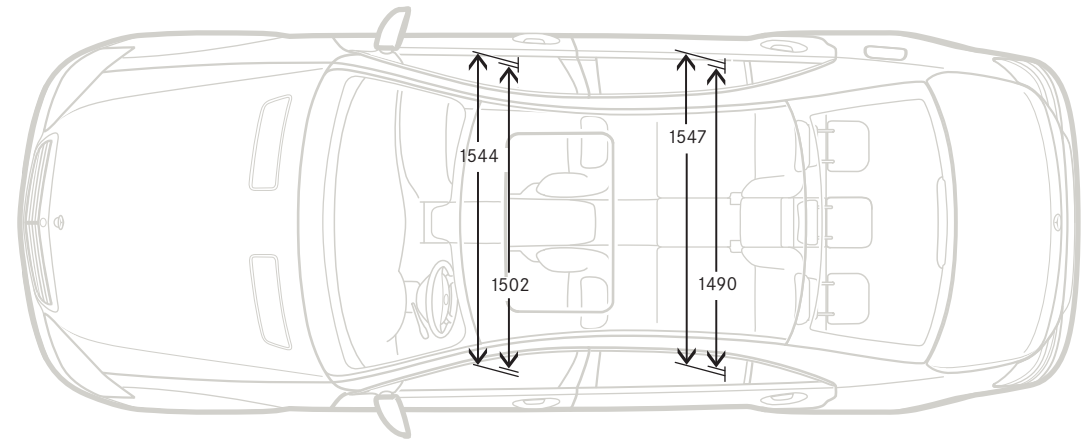
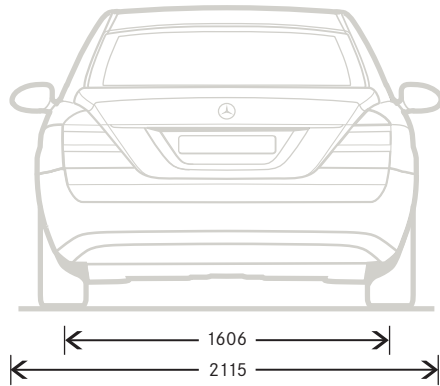
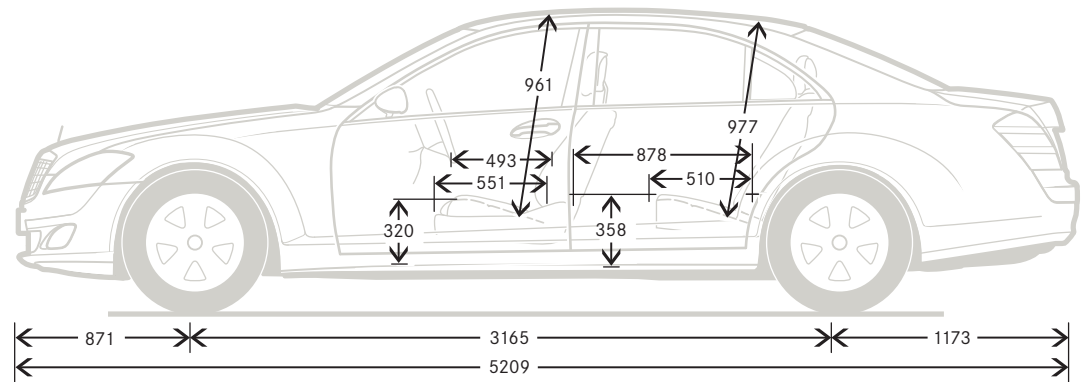
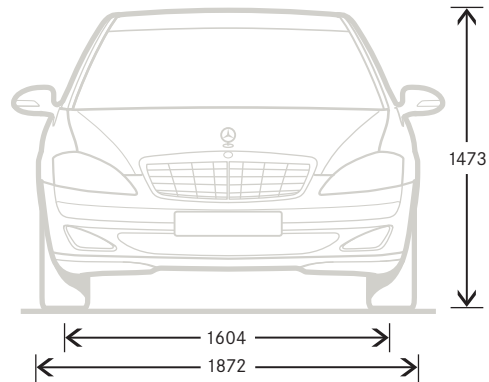
S 0G 4258



The S-Class



The long-wheelbase version of the S-Class



Anyone opting for a Mercedes buys far more than just a car

Comprehensive service offered by Mercedes-Benz

Mercedes-Benz for you

It all started in Berlin at the end of 2000: the concept of the car dealership was reinvented with the opening of the first Mercedes-Benz Centre. Featuring the entire Mercedes-Benz model line-up as well as the accessories range, brand merchandise and an attractive programme of events, the Centres offer a welcoming environment in which to experience the brand at first hand.

But it's not just in major cities that you can experience the legendary Mercedes-Benz brand and service. A close-knit network of company-owned branches and authorised dealers ensures that you are never far from the wide range of services, the comprehensive customer care and the high quality which you expect from Mercedes-Benz. And you can count on their support at every stage – before you buy your Mercedes, during the purchase process and, most importantly, for a long time afterwards, too.

Mercedes-Benz Museum

More than 120 years of automotive history in one place – this is what awaits you at the Mercedes-Benz Museum in Stuttgart. Experience the unique excitement first hand, and embark upon a thrilling journey through time. Housed inside an architecturally impressive building, over 1500 exhibits on nine levels give you an insight into the unique tradition and powers of innovation of the Mercedes-Benz brand. Plus you can see the world's first two automobiles in the shape of the Benz Patent-Motorwagen (motor car) and the Daimler motorised carriage – both from the year 1886. Two linked circuits take you from the beginnings of the automobile, past a series of unforgettable classics, through 100 years of motor-racing history and, finally, on to a glimpse of what the future holds – all in an area covering a total of 16,500 square meters. Enjoy the unique brand experience. We look forward to your visit.

MercedesCard

Your ticket to the Mercedes-Benz experience: the quarterly MercedesCard ARGENTUM journal offers you an exclusive selection of exciting events starring the Mercedes-Benz brand. In addition, the Mercedes magazine is packed with gripping and inspiring articles and reports. The MercedesCard has many other functions: as a VISA credit card, it is an accepted form of payment worldwide – with no annual fee if you complete a questionnaire every year. In addition, it offers further benefits to put your mind at ease, such as the Mercedes-Benz insurance package, at no extra charge, and the exclusively compiled MercedesCard insurance package at a preferential rate. For further information about this offer, available exclusively to Mercedes-Benz drivers, visit www.mercedes-benz.de/mercedescard¹

¹ Information about the MercedesCard in Austria and Switzerland can be found on the Mercedes-Benz websites for these countries

Mercedes-Benz Service24h

The feel-good factor, which kicks in when you sit behind the wheel of your new Mercedes for the first time, is further enhanced by the knowledge that Mercedes-Benz Service24h is there for you around the clock – 365 days a year. Experience shows that your Mercedes model is extremely unlikely to suffer a technical problem or breakdown. And even if the unthinkable happens, you can always count on Mercedes-Benz Service24h, wherever you are in Europe. Just call our Service Hotline on 00800 1 777 7777² at any time. One of our specialists will take your call and arrange professional assistance for you immediately. By the time you put down the phone, our Service24h team will be getting ready to make their way to you. It will often be possible to sort out the problem at the scene. If this is not the case, however, we will of course arrange for your car to be taken to the nearest Mercedes-Benz workshop.

Mercedes-Benz Bank

If you have already chosen your dream car and want to remain financially flexible, the Mercedes-Benz Bank should be your next port of call. We are your one-stop shop for leasing, financing, insurance and service packages. By way of example, our “Private Leasing plus” scheme is a complete package comprising leasing, insurance and a purchase option, while our “Plus3” finance package combines low rates with high flexibility. That’s because, at the end of the contract, you decide yourself whether to keep your car, sell it or return it to us for a guaranteed price. We also offer an attractive range of investment products, including instant-access savings accounts, fixed-interest products and investment funds. For further information, please call us on 01803/32 22 65³ or visit us at: www.mercedes-benz-bank.de

² Freephone number, mobile-phone rates may vary

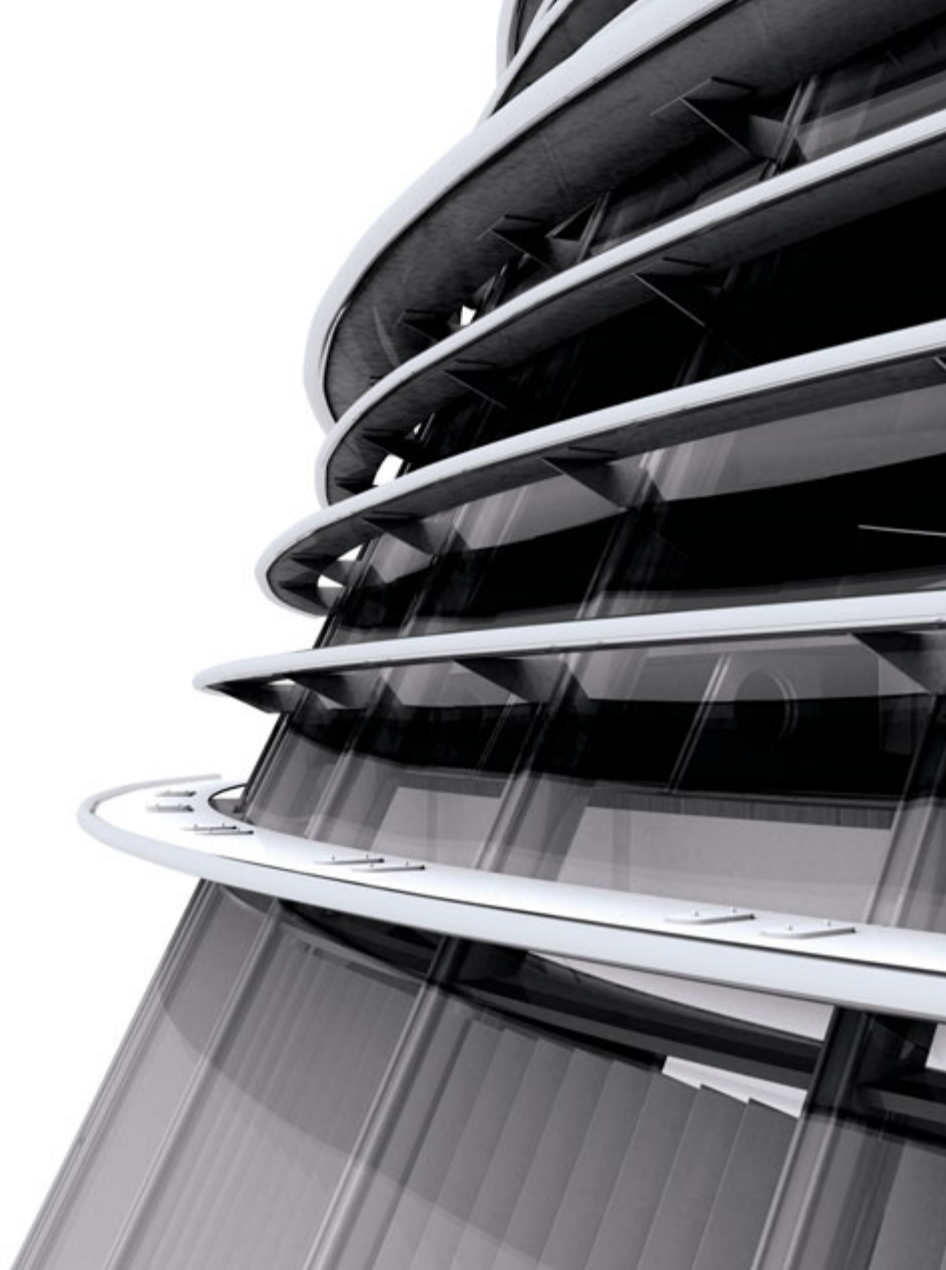
³ 9 ct/min from Deutsche Telekom landlines, mobile-phone rates may vary

Time for another enriching experience

A Mercedes-Benz is most at home on the road. This is the only way to experience the effortlessly superior driving feel that lends every model its inimitable class. Feel the power of the engine as it propels the car forwards. Marvel at the precise steering, designed to really put you in the mood for driving. And experience what true comfort really feels like. The unique feeling of driving a Mercedes cannot be put into words, however. Which is why we'd like to invite you to take a test drive. Your Mercedes-Benz dealer will be happy to make all the necessary arrangements for you. Simply visit www.mercedes-benz.com to locate the nearest Mercedes-Benz dealer in your country or region. We look forward to seeing you.

The website also offers an interactive tour, enabling you to take a closer look at your desired model. This simulation is the ideal way to acquaint yourself with your dream car. You can view key functions in detail, gain an insight into the car's inner workings or look at the benefits of each model. For further details, visit www.mercedes-benz.de/owners-manual

Now your mobile phone acts as a gateway to the whole Mercedes-Benz world. In addition to an overview of all passenger car models, there are insights into the entire brand world, not to mention a wealth of entertainment offers and direct links to a range of services at www.mercedes.mobi



Take-back of end-of-life vehicles. Coming full circle. At the end of its long life, you can return your S-Class to us for environment-friendly disposal in accordance with the EC End-Of-Life Vehicle Directive¹. But that day lies a long way off.

¹ Applies in accordance with national regulations to vehicles up to 3.5 tonnes gross weight. Mercedes-Benz passenger cars have met the statutory regulations governing the suitability of their design for reuse and recycling for a number of years now. A network of vehicle take-back depots and dismantlers has been established which will process your vehicle in an environment-friendly manner. The ways in which both vehicles and parts can be recovered are subject to ongoing development and improvement. Consequently, the S-Class will be able to comply with any future increases in the recycling quota within the stipulated time limits. Further information is available at www.mercedes-benz.de or by calling 00800 1 777 7777

Please note: changes may have been made to the product since this brochure went to press (15.08.2008). The manufacturer reserves the right to make changes to the design, form, colour and specification during the delivery period, provided these changes, while taking into account the interests of the vendor, can be deemed reasonable with respect to the purchaser. Where the vendor or the manufacturer uses symbols or numbers to describe an order or the subject of an order, no rights may be derived solely from these. The illustrations may show accessories and items of optional equipment which are not part of standard specification. Colours may differ slightly from those shown in the brochure, owing to the limitations of the printing process. This brochure has been compiled by Daimler AG of Germany and is distributed internationally. It provides a general indication of the range of models, features, optional extras and/or colours available in various countries. Some of the models, features, optional extras and/or colours shown may not be available in your country or may only be available in a different specification. Additionally some models, features, optional extras and/or colours may only be available in combination with others. For current and more specific information in relation to the range of models, features, optional extras and/or colours available in your country, and their pricing, you should contact your nearest authorised Mercedes-Benz Passenger Car Dealer. www.mercedes-benz.com