



This Brochure is prepared by Daimler AG and it predominantly reflects the capabilities and performance of vehicles sold in Europe. Some characteristics, capabilities, performance features and optional extras (e.g. towing systems) may not be available or may not apply in Australia or under Australian conditions. The information in this Brochure is therefore indicative, illustrative and provided only for guidance and should not be relied on. To obtain current and accurate information on a vehicle and any options applicable to Australia, contact your local authorised Mercedes-Benz dealer.

Mercedes-Benz



The E-Class Saloon and Estate

Mercedes-Benz

displays its very own design idiom: the front end sweeps back dynamically, the spot (optional). **E-Class Saloon. Engineered around you.** Plus it can help the driver keep whatever engine variant you opt for, you are sure to glide serenely over the road that shouldn't it be good to have a watchful companion by your side at all times? Someone at the rate. This is no contradiction but, rather an expression of complete individuality - self - at the push of a button. The legroom - because hospitality extends to all areas - rear - because this is where freedom feels at home. The paint - because life itself should take a turn for the better. The climate control - because it keeps your lows are turned into high points. **ATTENTION ASSIST** - because it recommends



y, the long flanks exude athleticism and the rear section is emphatically broad. er keep a safe distance behind the vehicle in front. A drive in the E-Class delivers what ad thanks to the array of technology, the optional assistance systems and the ef neone who knows you very well and, therefore, steps up to the plate when you n duality. Whether it be high-class athlete, watchful companion or single-minded all areas. The interior – because there’s space for living as well as for everything e itself is reflected in it. The design idiom – because words are not enough. The our head clear. **E-Class Estate. Creating space for elegance.** The audio system – ends a coffee break at just the right time. The rear bench seat – because gener

Mercedes-Benz



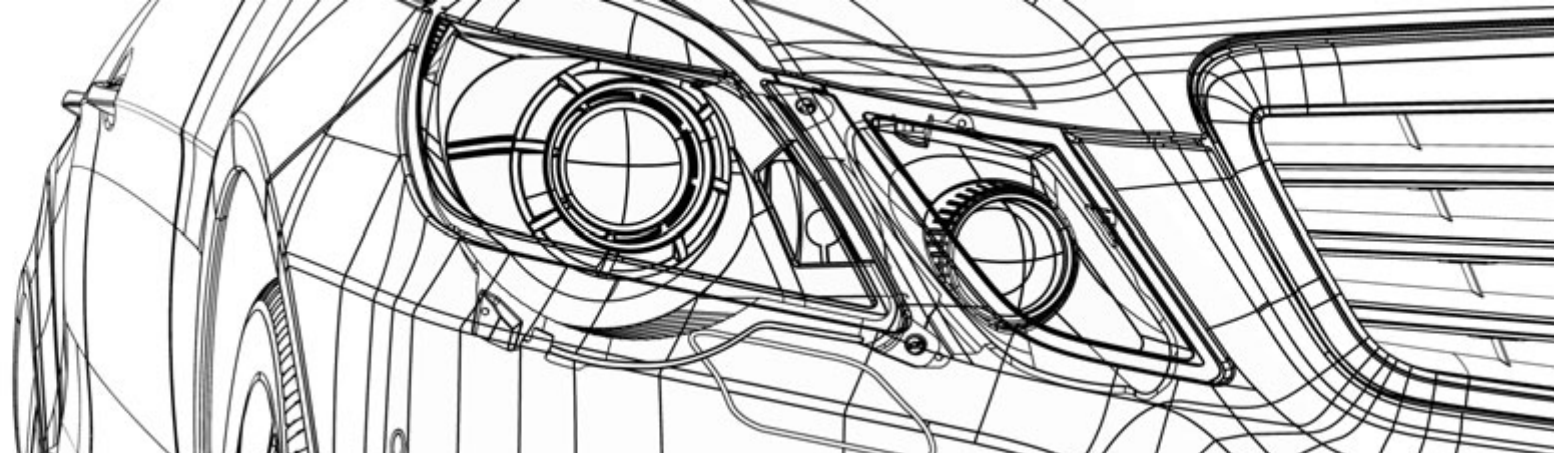
Saloon. Make yourself at home: in one of the world's most attentive cars. Every detail is built around you, over 80 sensors make it their job to see to your wellbeing and countless innovations – from ATTENTION ASSIST to the kneebag – give you that reassuring feeling of safety. And just one look at the twin headlamp face tells you straight away: behind the distinctive design lies an exceptional array of technology. The E-Class Saloon – nine generations of comfort and safety.

Insight | from page 4 At a glance | from page 6

Estate. The E-Class Estate does not ask questions. It provides answers. For everyday motoring, for recreation, for travel. As highlighted by the many useful ideas incorporated within it – from the electro-hydraulically operated tailgate to the versatile load compartment. You feel it whilst driving or being driven. When you experience the marriage of elegance and space. The E-Class Estate – there are plenty of reasons.

Insight | from page 20 At a glance | from page 22

The E-Class Saloon and Estate



Driving pleasure with the emphasis on comfort: engines, transmissions, AIRMATIC air suspension and 4MATIC all-wheel drive.

Drive system & chassis | from page 36

Even better protection from starting point to destination:

state-of-the-art technology for safe driving and the right response in the event of danger or an accident as well as for the E-Guard.

Safety | from page 46

Experience the essence of comfortable driving: from stress-relieving comfort, seating comfort and ride comfort to navigation and audio systems as well as the Estate's versatile load compartment.

Comfort | from page 50

An even sportier side of the E-Class: the equipment for the E 63 AMG and the options available from the AMG Performance Studio.

AMG | from page 60

E-Class individuality: design and equipment lines and packages, designo, standard equipment and optional extras, wheels and genuine accessories.

Equipment & appointments | from page 68

Star service: Mercedes-Benz Museum, MercedesCard, Mercedes-Benz Financial Services, Mercedes-Benz mobility, service packages, test drive, Interactive Owner's Manual, mobile internet.

Services | from page 94

Go into detail: dimensions, paintwork and technical data.

Facts & colours | from page 96





An economic miracle right from the start. The roots of the E-Class Saloon can be traced back as far as the early 20th century, although the direct genealogy began in 1947 when the 170 V model became the first Mercedes-Benz passenger car to enter production in the post-war years. It was as inextricably linked to the economic miracle as its successor, the “three-box-body Mercedes”. They are the template for vehicle models that have always set standards, both technologically and economically.

Other legendary models include the “Tail Fin” and the “Stroke/8”, the latter named after its launch year: 1968. Its timeless design still sends Mercedes enthusiasts into raptures to this day. Like the W 123 model series that followed it, it is etched into Germany’s collective memory in one colour above all, namely the light ivory shade made famous by the taxi models. Launched in 1984, the W 124 model series was the first to be officially named the E-Class in 1993. And, two years later, the E-Class wrote design history with its innovative “twin headlamp face”.

Finally, the best aspects of the previous eight generations of the E-Class are combined in the ninth: the W 212 model series. Its rear wings are a reminiscence to the “three-box body”, while the headlamps bring to mind its immediate predecessor. The high levels of comfort and safety are the result of many decades of development work at Mercedes-Benz.



Familiarly different

Like its predecessors, the ninth-generation E-Class is instantly recognisable as a Mercedes. Yet it displays its very own design idiom: the front end sweeps back dynamically, the long flanks exude athleticism and the rear section is emphatically broad. The design leaves no doubt that this is the start of a new chapter in the story of the E-Class.

Thrillingly relaxing

If you're having trouble fleeing everyday stress, the E-Class could be just the escape car you need. From the moment you get in, you just know you are in for a treat: controls that are custom-designed around you, technology that does exactly what you want it to and a generously appointed interior that panders to your every whim.









Invitingly distant

Safety and comfort go hand in hand in the E-Class. It can identify speed-limit signs on the road as well as detect and indicate vehicles in the blind spot (optional). Plus it can help the driver keep a safe distance behind the vehicle in front. So it becomes an invaluable companion on the road and can be a saviour in dangerous situations.

→ Page 46–48, 52, 53

Your options: Speed Limit Assist Plus | Lane Tracking package |
Driving Assistance package Plus





Spiritedly conscientious

A drive in the E-Class delivers what its athletically elegant exterior promises. Whichever engine variant you opt for, you are sure to glide serenely over the road thanks to the array of technology, the optional assistance systems and the effortlessly superior roadholding. In short, wrapped in our vast knowledge of safety.
→ Page 46–53



A close-up, low-angle shot of a car's rear passenger window. The window is open, revealing the interior. The seats are upholstered in a light-colored, possibly leather or high-quality fabric, with a quilted or tufted pattern. A white, cylindrical object, likely a rolled-up document or a small bag, is resting on the seat. The car's exterior is a dark, polished wood or a similar material, with a sleek, curved design. The lighting is dramatic, highlighting the textures of the interior and the smooth curves of the exterior.

Vigilant calm zone

Wouldn't it be good to have a watchful companion by your side at all times? Someone who knows you well and steps up to the plate when you need them most? That "someone" is ATTENTION ASSIST. Fitted as standard, it monitors your driving style and warns you that you are becoming drowsy or letting your attention slip. For a higher level of safety – and a lower pulse rate. → Page 46

Your option: Rear Comfort package

At home on the road

The E-Class was developed to give its best every day. So quality and precision come as standard. We don't think you'll ever tire of feeling the quality of the build and the materials. Nor marvelling at them.

→ Page 68–87

Your option: leather appointments








Passionately contemporary

The E 63 AMG combines the world of motorsport with the effortless superiority of an executive saloon. Attributes include handling dynamics, agility and power as well as composure and superlative comfort. This is no contradiction but, rather, an expression of complete individuality. Whether it be high-class athlete, watchful companion or single-minded manager, you determine the character of the E 63 AMG yourself – at the push of a button. → Page 60–67



A photograph of a studio setup. On the left, a floor lamp with a white shade stands on a tripod. Next to it is a white step ladder with another lamp on top. In the foreground, a black suitcase sits on a dark blue carpet. The background is a plain yellow wall with a window in the upper center.

The invention of the classy estate. A Mercedes estate car? A scarcely imaginable idea right up until the mid-seventies. Until then, those who wanted to drive an estate car had to go to companies which built special-purpose vehicles based on Mercedes-Benz models. The success story of the Mercedes estate began relatively late – with the W 123.

Unveiled as early as 1977 at the International Motor Show in Frankfurt, the first Mercedes estate car started rolling off the production lines in Bremen in 1978. Called the “T” model in its German homeland, the “T” standing for “Tourism” and “Transport”, the car had an auspicious name. And the first advertising slogan – “The most versatile way to drive a Mercedes” (translated from the German) – said it all: the estate car was just at home on the building site as it was in front of the opera house. At any rate, the sales figures exceeded all expectations, and the classy estate car was born.

This body variant has remained a permanent fixture in the E-Class line-up to this day. Not least because its unique character is a tasteful blend of different worlds: the comfort, safety and elegance of a saloon combined with the high utility value of an estate. Traits which the latest-generation estate also displays with aplomb.



The aerodynamics – because they get the air on your side

The design idiom – because words are not enough

The paint – because life itself is reflected in it

The tail end – because it turns its back on everyday life



The climate control - because it keeps your head clear

The Active Bonnet - because safety should not be left to chance





The seats - because they even look after your back en route

The roof rails – because they carry it off well

The audio system – because even lows are turned into high points



ATTENTION ASSIST - because it recommends a coffee break at just the right time



A blurred night scene of a city or harbor with lights reflecting on water. The background is a soft, out-of-focus glow of yellow and white lights, likely from buildings or streetlights, with their reflections shimmering on a dark surface, possibly water. The overall atmosphere is warm and serene.


The load compartment - because even load areas can be inviting

The interior - because there's space for living as well as for everything but the kitchen sink

The EASY-PACK load management system - because 1950 litres need calling to order

The cargo volume - because the imagination knows no bounds



A close-up, low-angle shot of the rear passenger area of a car. The focus is on the brown leather headrest and backrest of a seat. The car's window is visible, showing a blurred view of city lights at night, with bright starburst effects from the lights. The interior is dimly lit, with the primary light source being the ambient light from the window.

The rear - because this is where freedom feels at home

The interior - because it feels like you've arrived the moment you get in

The rear bench seat - because generosity is also about sharing



The legroom - because hospitality extends to all areas



EFFICIENCY Rated output 125/3000-4200 (125/3000-4200) kW at rpm 231
rpm (automatic transmission) Acceleration 0-100 km/h 8.7 (8.8) s (automatic
turning circle diameter 11.25 m Total displacement 2143 cc No. of cylinders Acc
W (125/3000-4200) at rpm (automatic transmission) Compression ratio 16.2
kg (automatic transmission) Perm. gross vehicle weight 2270 (2270) kg (auto
Total displacement 1796 cc Rated output - (135/5250) (135/5250) kW at rpm
e 270/1800-4600 (270/1800-4600) Nm at rpm (automatic transmission) Acce
ratio 9.3 Tyre size **Facts** front/rear 225/55 R 16 Rated output 225/55 R 16 Perm
diameter 11.25 m Kerb weight 1735 (1735) kg (automatic transmission) Tur

36 **BlueEFFICIENCY**37 **E-Class BlueEFFICIENCY**38 **Diesel engines**

4-cylinder

6-cylinder

40 **Petrol engines**

4-cylinder

6-cylinder

8-cylinder

42 **Transmissions**

6-speed manual transmission

5-speed automatic transmission

7G-TRONIC

44 **Chassis & suspension**

4MATIC (all-wheel drive)

DIRECT CONTROL suspension

Direct-Steer system

AIRMATIC (air suspension)

46 **Safe driving**

ATTENTION ASSIST

Night View Assist Plus

Lane Tracking package

Driving Assistance package

Light package

48 **In the event of danger
or an accident**

PRE-SAFE® system

Airbags

Active Bonnet

49 **E-Guard**50 **Multimedia systems**

COMAND APS

Audio 50 APS

Harman Kardon® Logic 7®

surround sound system

Rear Seat Entertainment System

52 **Assistance systems**

Speed Limit Assist Plus

PARKTRONIC incl. Parking

Guidance

Reversing camera

54 **Climate control**

THERMATIC

THERMOTRONIC

Climatised seats

55 **Seats**

Rear Comfort package

Active multicontour seats

Memory package

56 **Load compartment
management**

EASY-PACK quickfold

EASY-PACK folding load

compartment floor

EASY-PACK load-securing kit

58 **Space**

Load compartment

EASY-PACK load

compartment cover

EASY-PACK tailgate

The E-Class Saloon and Estate in detail

60 AMG

E 63 AMG exterior

E 63 AMG interior

E 63 AMG technology

AMG Performance Studio

**68 Design and equipment lines
incl. upholstery and trim**

Standard equipment

ELEGANCE

AVANTGARDE

80 Equipment packages

Exclusive package

Exterior Sports package

AMG Sports package

designo

88 Standard equipment**89 Optional extras****90 Wheels**

Standard wheels

Optional wheels

AMG wheels

92 Genuine accessories**94 Services**

Mercedes-Benz Museum

MercedesCard

Mercedes-Benz

Financial Services

Mercedes-Benz mobility

Service packages

Test drive

Interactive Owner's Manual

Mobile internet

96 Dimensions

Dimensions of Saloon

Dimensions of Estate

98/ Paintwork

103

99 Technical data

Technical data for Saloon

Technical data for Estate

BlueEFFICIENCY – fast forward to tomorrow



We do not pay lip service to protection of the environment. It's a matter close to our hearts. By the end of 2010, we will be able to offer you 85 models with BlueEFFICIENCY technologies, all of which place far less of a burden on the environment. Our BlueEFFICIENCY concept comprises innovations for efficient mobility as well as optimised processes all the way along the value chain.

The BlueEFFICIENCY measures – the Mercedes-Benz efficiency package. The BlueEFFICIENCY measures are comprehensive vehicle optimisations designed to ease the burden on the environment. Each model combines the most efficient engine with optimum aerodynamic and energy-management measures, including the ECO start/stop function, which is being made available for an increasing number of models. Our new V6 and V8 petrol engines in the S-Class and CL-Class, for example, reduce fuel consumption by up to 20% yet have a much higher power output.

BlueTEC – the clean diesel. A modular emission-control system makes BlueTEC an exceptionally clean diesel technology. As well as removing 95% of the particulate, it also reduces nitrogen oxides by up to 90%. All that remains is water and harmless nitrogen.

HYBRID – the intelligent combination of petrol and electric drive. During braking, the electric motor supplies the battery with the recuperated kinetic energy. This energy is then available when needed. What's more, the ECU shuts off the petrol engine when the speed falls below 15 km/h. In this way, a HYBRID can reduce fuel consumption by up to 20%.

BlueTEC HYBRID – clean diesel combined with electric drive. From 2011, BlueTEC HYBRID will marry the benefits of the HYBRID with those of BlueTEC: during braking, the kinetic energy is converted into electrical energy, which can be re-used when required. At the same time, the BlueTEC technology cleans the exhaust gases

and removes many of the pollutants. All of which makes the economical diesel powerplant even more efficient and clean.

Innovative drive systems that break new ground: E-CELL and F-CELL. We have developed two locally emission-free drive systems that will be produced on a small scale and delivered to customers around the world starting in 2010. The B-Class F-CELL uses hydrogen to produce power for the electric motor, while the A-Class E-CELL draws its energy from a battery alone.

But that is not all: under the banner "Design for Environment", we also look at a vehicle's entire lifecycle and work hard to preserve the environment from the planning stage right through to recycling. In addition, we are heavily involved in the development of alternative fuels and carry out research in the field of bionics.

Further information can be found at: www.mercedes-benz.com/blueefficiency

E-Class BlueEFFICIENCY

The E-Class has always set standards, economically and technologically. Consequently, it also leads the way when it comes to measures aimed at reducing fuel consumption and emissions. It also boasts an outstanding drag coefficient (c_d figure).

When we develop a new model, responsibility for the environment plays a crucial role. People's awareness is increasing as emissions, fuel

consumption and fuel prices become topics that affect us all. It is therefore only natural that most E-Class models are also BlueEFFICIENCY

models. And, far from being just a vision of a clean environment, BlueEFFICIENCY incorporates a whole raft of specific measures:



- 1 ECO start/stop function in the E 200 CGI BlueEFFICIENCY in conjunction with 6-speed manual transmission
- 2 Optimised aerodynamics thanks to variable radiator shutter for 4-cylinder engines and E 350 CGI BlueEFFICIENCY
- 3 Alternator switched off in traction mode
- 4 Engine technologies such as direct injection, turbocharging and downsizing
- 5 Shift point indicator for all models with manual transmission
- 6 ECO power steering pump only activated when needed
- 7 Fuel pump controlled based on current requirements
- 8 E 350 BlueTEC – one of the world's cleanest diesels – already meets the requirements of the EU6 emission standard
- 9 Wheels with optimised tyre rolling resistance
- 10 Refrigerant compressor only activated when actually needed

Diesel engines

Cleaner, more powerful and more economical: the E-Class also signals the launch of the latest Mercedes-Benz diesel technology. The powerful and quiet engines impress with their low emission and fuel-consumption figures.

4-cylinder in-line engines. The 4-cylinder diesel unit with a choice of three power outputs displays a high level of sophistication: it offers impressively rich torque and instantaneous response, even at low revs. What's more, the diesel engines consume less fuel, have low emissions and are both quiet and powerful.

This is made possible by a wealth of new technologies. Fourth-generation common-rail diesel technology impresses by virtue of an injection pressure increased to 2000 bar, optimised combustion chambers and extremely precise piezo injectors. High torque is available in every engine speed range thanks to the high ignition pressure and the turbocharger, while

the requisite refinement comes courtesy of two Lanchester balancer shafts. Optimised alternator management ensures consistent use of the engine's coasting phases, thus allowing recuperation of kinetic energy. Meanwhile the radiator shutter reduces the aerodynamic drag when the engines require only moderate cooling. The new engine generation represents a vast improvement on the already impressive equivalent engines installed in the outgoing model: output is up to 20% higher and torque has been increased by up to 25%, while fuel consumption and, therefore, CO₂ emissions are up to 23% lower. The 4-cylinder diesel engines are available with the following outputs:

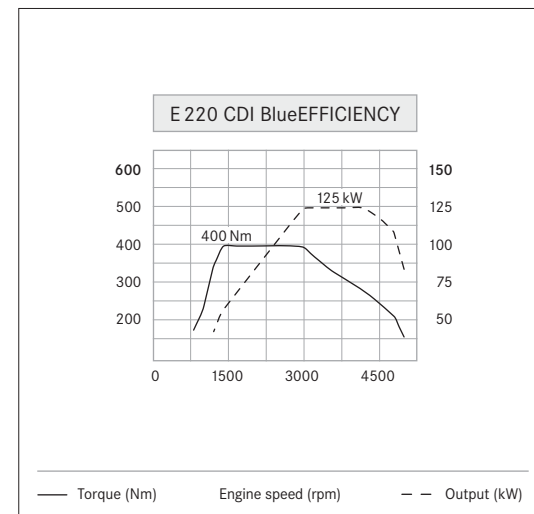
- E 200 CDI BlueEFFICIENCY developing 100 kW and a peak torque of 360 Nm
- E 220 CDI BlueEFFICIENCY developing 125 kW and a peak torque of 400 Nm
- E 250 CDI BlueEFFICIENCY developing 150 kW and a peak torque of 500 Nm

V6 engines. The E 300 CDI BlueEFFICIENCY developing 150 kW and the E 350 CDI BlueEFFICIENCY developing 170 kW are equipped with V6 diesel engines. Precise and fast piezo injectors, a high injection pressure and a peak torque of 500 Nm for the E 300 CDI BlueEFFICIENCY or 540 Nm for the E 350 CDI BlueEFFICIENCY all add up to effortlessly superior pulling power.

The modified BlueTEC technology in the E 350 BlueTEC developing 155 kW has extremely low emissions. BlueTEC stands for measures aimed at optimising fuel consumption and for the cleaning and aftertreatment of exhaust gases. All of which gives this compression-ignition model one of the world's cleanest diesel drive systems. Further hallmarks of the E 350 BlueTEC include exemplary emission figures, low fuel consumption, effortlessly superior performance and a high torque of 540 Nm.



The 4-cylinder diesel engine is available with a choice of 3 outputs (E 220 CDI BlueEFFICIENCY shown here)



The E 220 CDI BlueEFFICIENCY posts an excellent set of output and torque figures

Petrol engines

Mercedes-Benz offers a wide range of engines which place less of a burden on the environment. New technologies reduce fuel consumption, while CO₂ emissions are lower than ever for a Mercedes-Benz E-Class.

4-cylinder in-line engines. The optimised 4-cylinder powerplant with a displacement of 1.8 litres, direct petrol injection, variable valve timing and turbocharger offers outstanding torque and power, not to mention appropriately low fuel consumption and emissions.

Fuel is used more efficiently by the direct petrol injection system thanks to almost complete combustion, while the variable valve timing allows optimum cylinder charging and, therefore, reduces fuel consumption. Fuel consumption is also cut thanks to the reduced weight and low internal friction. Two balancer shafts ensure low engine vibration in every engine speed range.

The 4-cylinder petrol engines come with a choice of two power outputs:

- E 200 CGI BlueEFFICIENCY developing 135 kW and a peak torque of 270 Nm
- E 250 CGI BlueEFFICIENCY developing 150 kW and a peak torque of 310 Nm

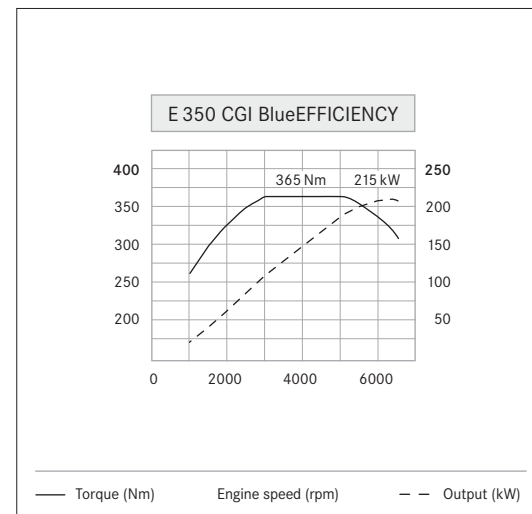
V6 engines. The E 350 CGI BlueEFFICIENCY features state-of-the-art drive technology: 4 valves per cylinder, variable intake and exhaust camshaft adjustment, and a balancer shaft. In addition to this, the E 350 CGI BlueEFFICIENCY features on-demand alternator management and a flexibly controlled fuel pump. Economical and ecological: the E 350 CGI BlueEFFICIENCY saves fuel,

reduces CO₂ emissions and enhances refinement. These advantages are largely down to the second-generation direct petrol injection system from Mercedes-Benz, which operates using spray-guided combustion and high-pressure injection by means of piezo injectors. Maximum output is 215 kW, and the peak torque of 365 Nm is available at 3000 rpm. The E 350 is also available in 4MATIC guise.

V8 engine. In the E-Class model line-up, the E 500 is a paragon of effortless superiority in every driving situation. The 8-cylinder engine developing 285 kW has a peak torque of 530 Nm and reaches a top speed of 250 km/h (electronically governed). The E 500 Saloon is also available with 4MATIC all-wheel drive. The E 63 AMG has the highest output of all, developing 386 kW and a maximum torque of 630 Nm.



State-of-the-art engine technology featuring high-pressure direct injection with piezo injectors in the E 350 CGI BlueEFFICIENCY



The E 350 CGI BlueEFFICIENCY offers the ideal combination of harmonious power delivery, driving enjoyment and energy efficiency

Transmissions

Whether it be a manual gearshift or an automatic, an economical or a sporty driving style – the transmissions for the E-Class have been optimised in line with the model in which they are installed. Plus they are intuitive and ergonomic to use.

6-speed manual transmission. The 4-cylinder engines (with the exception of the E 250 CGI BlueEFFICIENCY) are paired with a 6-speed manual transmission as standard, offering impressively short and precise shift travel as well as optimum tuning of the engine power, gear ratios and rear axle ratio. A display on the instrument cluster indicates recommended gear changes to further encourage a highly economical driving style.

5-speed automatic transmission. The 4-cylinder model is available with an optional electronically controlled 5-speed automatic transmission (standard for E 250 CGI BlueEFFICIENCY). It

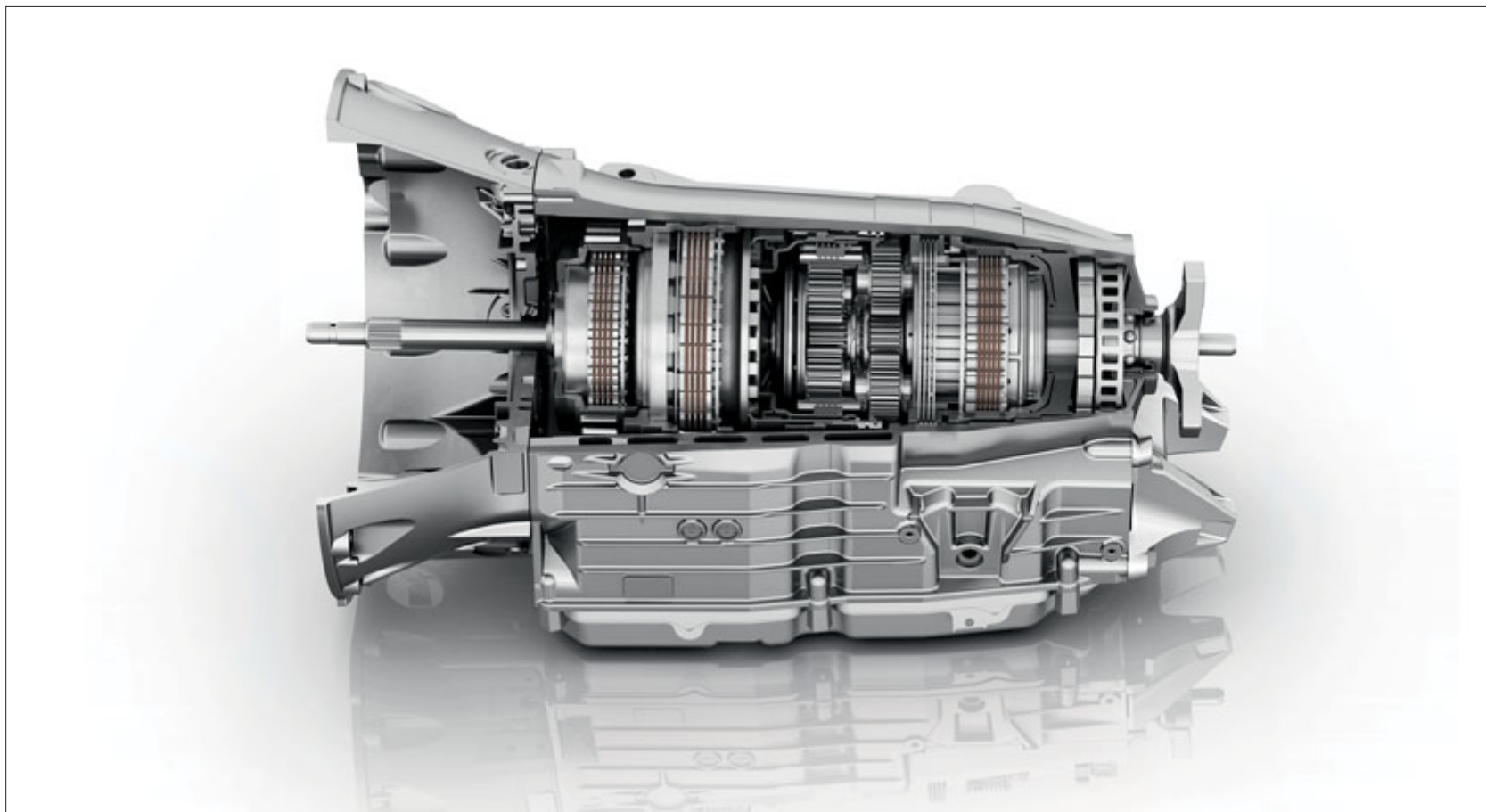
has two modes allowing either an economical or a sporty driving style. Plus you can intervene manually at any time.

7G-TRONIC. The V6 and V8 engines come as standard with the 7G-TRONIC 7-speed automatic transmission and the DIRECT SELECT lever on the steering column. The driver can change gear using the steering wheel shift paddles or leave this job to the automatic transmission. The seven forward gears in the 7G-TRONIC allow an ideally adapted engine speed at all times, thus cutting fuel consumption, while the shorter shift times and smoother shifts make gear changes easier as well as reducing the noise level. Driving enjoyment

is also enhanced: the car benefits from better acceleration and boasts more pulling power. What's more, gears can be skipped for fast in-gear acceleration.



Transmission for the V6 and V8 engine variants operated at the push of a button using the DIRECT SELECT lever on the steering wheel



The 7G-TRONIC: one of over eleven million automatic transmissions produced in a period spanning more than 40 years

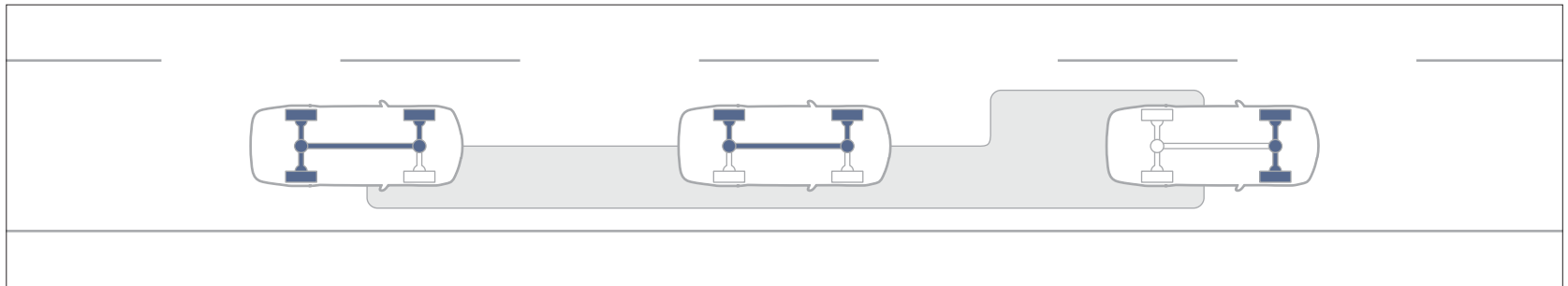
Chassis and suspension

4MATIC permanent all-wheel drive provides impressive traction as well as enhanced directional and driving stability. The chassis and the air suspension really come into their own on the road, offering a high level of comfort as well as impressive agility.

4MATIC (optional). As 4MATIC is always active, it responds instantaneously in poor weather conditions such as rain, black ice or snow. 4MATIC is assisted by the Electronic Stability Program ESP® and the electronic traction system 4ETS. The latter enables controlled braking of spinning wheels and, as a consequence, increases the drive torque at the wheels offering good traction,

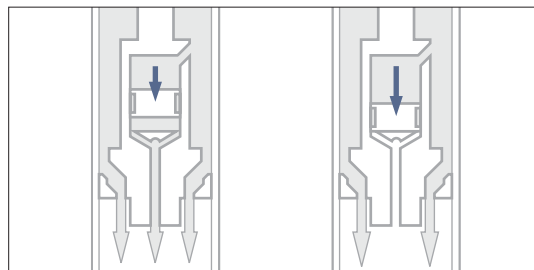
allowing plenty of power to be planted on the road when moving off and when accelerating, especially on poor road surfaces. 4MATIC makes conventional differential locks superfluous: the automatic braking pulses make it easier to move off on slippery ground as well as enhancing stability during critical manoeuvres. A further advantage of the system is the fact that it is

hardly any heavier than the rear-wheel-drive version on account of the compact design, intelligent choice of materials and high level of efficiency. 4MATIC is only available in conjunction with the V6 or V8 engines (E 350 CDI BlueEFFICIENCY and E 350, E 500 Saloon).



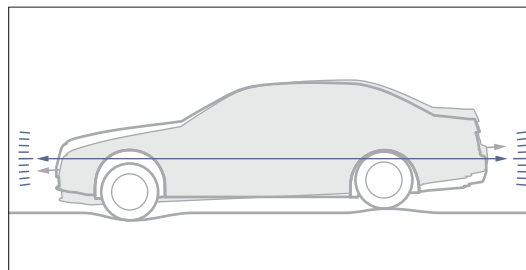
The electronic traction system 4ETS automatically sends the drive torque to the wheels offering sufficient grip

DIRECT CONTROL suspension (standard). The DIRECT CONTROL suspension with selective damping system combines agility and ride comfort as the shock absorbers adjust to suit the current driving situation. The enhanced damping and vehicle stability are especially beneficial on poor road surfaces. A sports-tuned version of the DIRECT CONTROL suspension, coupled with



Agility with a high level of comfort – the DIRECT CONTROL suspension adjusts the shock absorbers automatically

a body lowered by 15 mm, is available as an optional extra (standard for AVANTGARDE line and models with AMG Sports package). The E-Class Estate differs by virtue of its air suspension with integrated level control on the rear axle. Fitted as standard, this system ensures constant spring travel and ground clearance – irrespective of the vehicle load.



AIRMATIC air suspension helps to maintain a constant ground clearance, even if the car is carrying a heavy load

Direct-Steer system (optional, standard for V6 and V8 models). The Direct-Steer system has a more direct steering ratio and reduces the steering effort required in the case of large steering angles, for example when taking tight bends, thus enhancing the car's agility and steering comfort.

AIRMATIC (optional for 6-cylinder models, standard for E 500 and E 500 4MATIC). AIRMATIC air suspension, with adaptive shock absorbers, adapts itself in line with the current road conditions, vehicle load and driving situation. The driver can select either comfort-oriented or sporty settings manually. Or the system will switch to stiffer settings of its own accord.

Safe driving

Whilst driving, vehicle systems are able to intervene before an accident can occur. Like the assistance systems in the E-Class, for example: their awareness can defuse even critical situations and so forms an ideal basis for relaxed driving.

ATTENTION ASSIST (standard). This new drowsiness detection system is especially useful on long trips. At speeds of between 80 and 180 km/h, ATTENTION ASSIST warns the driver as soon as it detects signs of drowsiness or inattention. All thanks to sensors that analyse driving behaviour and detect any changes in it.



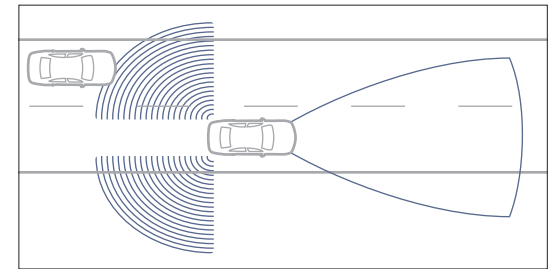
If the driver shows signs of drowsiness, ATTENTION ASSIST recommends taking a break

Night View Assist Plus (optional). The infrared camera at the heart of Night View Assist Plus highlights the area usually covered by main beam – in the form of a greyscale image in the central display – making it easier for drivers to get their bearings when main beam cannot be switched on, allowing them to detect people, animals or objects on or next to the road earlier.



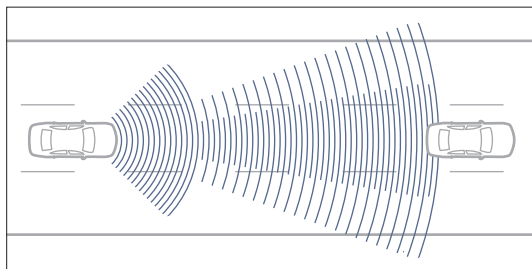
To ensure even better visibility, Night View Assist Plus highlights pedestrians on the display

Lane Tracking package (optional). Lane Keeping Assist detects the white lines on the road. If the car leaves its lane unintentionally, the system can warn the driver by making the steering wheel vibrate gently. Blind Spot Assist, meanwhile, uses two radar sensors to monitor the blind spot at speeds above 30 km/h and can warn the driver against dangerous lane changes.



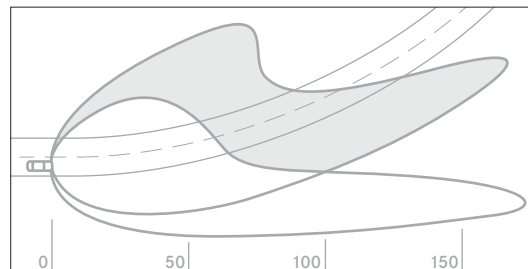
Lane Keeping Assist and Blind Spot Assist can warn the driver in potentially dangerous situations

Driving Assistance package (optional). This package includes the active Lane Tracking package and DISTRONIC PLUS. The proximity control system helps the driver to maintain the desired distance between the car and the vehicle in front by braking the car, to a standstill if necessary, and then accelerating it again. With the PRE-SAFE® Brake, the system can initiate emergency braking around 0.6 seconds before an imminent collision.



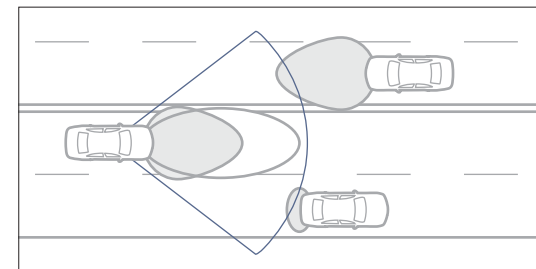
The DISTRONIC PLUS proximity control system can brake the car to a standstill, for example when driving in a queue of traffic

Light package (optional). The package features bi-xenon headlamps and LED daytime driving lights, allowing numerous settings to optimise illumination. In the case of the active light function, the headlamps with dynamic range adjustment follow the direction in which the driver is steering and, in so doing, ensure up to 90% better illumination of all relevant areas. This can make driving at night safer, particularly



The active light function ensures far better illumination on both tight and long bends, even when driving with just low beam on

on winding routes, as obstacles can be detected much earlier. Adaptive Highbeam Assist can improve visibility at night by controlling the headlamp beam so as not to dazzle oncoming traffic or vehicles in front. Furthermore, the practically seamless transition from main beam to low beam prevents any abrupt changes in the degree of illumination.



Adaptive Highbeam Assist always provides the optimum headlamp range

In the event of danger or an accident

Whether an accident is imminent or unavoidable, the E-Class does all it can to offer the driver, passengers and pedestrians optimum protection. The car body with its extremely robust passenger cell provides the ideal basis for this – and new developments are being incorporated all the time.

PRE-SAFE® system (standard). As a precaution, the systems can activate protective measures – for example reversible belt tensioning and automatic

closing of the open windows and/or the optional sliding sunroof – depending on the driving situation and the vehicle equipment.



Each individual component of the body has been adapted to meet stringent Mercedes-Benz safety requirements with respect to geometry, material thickness, joining techniques and material quality

Airbags (standard). Nine airbags are fitted to protect you and your passengers: front airbags which are deployed in two stages, depending on the accident severity, sidebags and windowbags as well as pelvisbags for the driver and front passenger. The kneebag can further reduce the forces exerted on the driver during an accident. Rear sidebags on both sides are available as an option with the Rear Seat Safety package.

Active Bonnet (standard, except for E 63 AMG). The Active Bonnet can reduce the risk of injury to pedestrians or cyclists if they are involved in a collision with the bonnet. To cushion the blow, the bonnet is raised five centimetres at the rear by means of spring force.

E-Guard

The E-Class Saloon with ex-factory ballistic protection continues the 80-year tradition of armoured vehicles at Mercedes-Benz. When it comes to your personal protection, the E-Guard is just the one for the job.

Like every Mercedes-Benz Guard model, the E-Guard is designed and built from scratch. It may look exactly like a series-production model on

the outside, but this outer skin conceals a whole network of protective components. In order to achieve the same structural rigidity, dimensional

accuracy, corrosion protection and surface quality as for the series-production models, the E-Guard passes through the same body stations on the assembly line.



One of the ballistic tests involves checking the E-Guard for resistance to projectile penetration. And it goes without saying that the car also has to pass all the usual Mercedes quality and safety tests as well as display full everyday practicality. What's more, all the safety components – such as the electronic control systems, the brakes, the chassis and the suspension – have been adapted to take into account the vehicle's heavier weight. The E-Guard is therefore an impressive combination of protection and comfort, as one would expect from a Mercedes.

Mobile protection – the E-Guard: tested and certified by internationally recognised official organisations in accordance with ballistic resistance level VR4 and higher – forearmed to deal with extreme situations

Multimedia systems

The E-Class offers a full range of entertainment systems, from the Audio 20 to the optional Audio 50 APS and the optional COMAND APS multimedia system.



COMAND APS is a combination of telephone, audio system and navigation system. All of the key functions can also be operated using the LINGUATRonic voice-operated control system

COMAND APS (optional). The COMAND APS multimedia system with hard-disc navigation system posts all the information on a central colour display. System functions include a radio, an equalizer with speed-sensitive volume control and the MUSIC REGISTER with a 6 GB hard drive. Outstanding entertainment is provided by the DVD player, which plays video and audio DVDs as well as CDs and MP3 files. An Aux-in connection, a slot for SD memory cards and a Bluetooth® interface enable connection with external data storage media and a mobile phone. The entire system is operated intuitively using a specially designed controller positioned near the armrest. What's more, LINGUATRonic allows COMAND APS to be operated by voice input.

Audio 50 APS with 6-disc DVD changer (optional). Audio 50 APS combines the key functions of an entertainment system – radio, CD/DVD player and MP3 player – with arrow-based DVD navigation, intersection zoom and the Traffic Message Channel, plus a Bluetooth® interface with a hands-free function and LINGUATRONIC voice-operated control.



Intuitive and clear: the Audio 50 APS controls are extremely easy to use

Harman Kardon® Logic 7® surround sound system (optional). Equipped with 14 loudspeakers, including a woofer, and a 9-channel DSP sound amplifier, this optionally available Dolby Digital 5.1 system has an output of 610 watts, giving you first-class acoustics in all seats when combined with the Audio 50 or COMAND APS system. 3D surround sound and speed-sensitive volume control ensure constant listening pleasure.



14 loudspeakers for the ultimate listening experience: the Harman Kardon® Logic 7® surround sound system

Rear Seat Entertainment System (optional). The Rear Seat Entertainment System comprises a DVD player, two TFT colour displays on the front head restraints, two sets of wireless headphones, remote control and two Aux-in connections, allowing the rear passengers to watch films or connect a games console during the journey. Both displays can be used independently of one another.



The two displays for the Rear Seat Entertainment System are integrated in the front-seat head restraints

Assistance systems

The E-Class has always been a car in which convenience has played a major role. And thanks to convenience-enhancing assistance systems such as Speed Limit Assist Plus, Parking Guidance and the reversing camera, it more than lives up to this reputation.



Speed Limit Assist Plus even indicates temporary speed limits

Speed Limit Assist Plus (optional). Always safely within the speed limit: Speed Limit Assist Plus can detect speed-limit signs and display them as symbols on the instrument cluster. To this end, a windscreen-mounted camera monitors the area in front of the car on a permanent basis. Its trained eye filters out round traffic signs indicating the speed limit. It makes no difference whether the speed-limit sign is at the side of the road or on a gantry above the road. Speed Limit Assist Plus also detects rectangular speed-limit signs, for example those seen when entering or leaving towns. In such cases, the system scans the data stored on the navigation system's digital map. Speed Limit Assist Plus is especially helpful on routes with variable speed limits or road works. In addition, Speed Limit Assist Plus compares the displayed speed limits with the data stored in the navigation system.

PARKTRONIC incl. Parking Guidance (optional). Parking Guidance can help the driver when parking and when looking for a parking space: ultrasonic sensors in the side front bumper measure the length of parking spaces parallel to the car automatically if the car drives past at a speed of 35 km/h or less. Parking Guidance starts once a suitable space has been found and reverse gear has been engaged. It provides the driver with precise directions regarding the correct steering angle as well as the turn-in and turn-back points on the instrument cluster. If the car is not straight after the first reversing move, the system also helps the driver with the required manoeuvring moves.

Reversing camera (optional). Excellent visibility during all parking and reversing manoeuvres: the reversing camera with wide-angle lens films the area directly around the rear of the car and sends the images to the central COMAND display. It is activated automatically when reverse gear is engaged, thus enhancing safety when reversing into a parking space.



Parking Guidance indicates suitable parking spaces to the driver and provides parking directions



The reversing camera's wide-angle lens films the area directly around the rear of the car

Climate control

An ideal interior climate is paramount when it comes to ensuring a high level of stress-relieving safety. This is why the climate control system for the E-Class is exceptionally versatile and can be adjusted to meet the needs of each individual occupant.

THERMATIC (standard). The THERMATIC automatic climate control system uses sensors to control the temperature for the driver and front passenger automatically. A solar sensor on the windscreen records the intensity and direction of the sun's rays, for example. Further standard features include air recirculation, a cooled glove compartment and a combination filter (dust and

activated charcoal filter) which filters out fine particles and improves overall air quality. There are two additional air outlets for the rear compartment on the rear end of the centre console.

THERMOTRONIC (optional). The THERMOTRONIC luxury automatic climate control system (standard for V8 models) allows the driver, front passenger

and rear passengers each to set the temperature using their own controls. Additional air outlets in the B-pillars and a booster blower beneath the centre console ensure the ideal temperature in the rear. What's more, the automatic mode can be adapted to meet individual needs as there are three climate styles to choose from: DIFFUSE, MEDIUM or FOCUS.



The controls for the THERMOTRONIC luxury automatic climate control system are ergonomic and intuitive

Climatised seats for driver and front passenger (optional). The airflow for the climatised seats has been configured to ensure a well-balanced seat climate. There is a choice of three-stage seat heating and active ventilation for cooling the seats. The output of the climatised seats is reduced automatically after certain periods.

Seats

Seats that meet an exceptionally wide range of requirements in terms of seating comfort, ergonomic design and safety have been developed for the E-Class.

Rear Comfort package (optional). First-class comfort abounds in the rear of the E-Class Saloon. Highlights include luxury individual seats, luxury head restraints and a centre stowage box. This optional extra includes leather upholstery,

heated seats, manually operated sunblinds on the rear doors, an electric roller blind for the rear window and drinks holders integrated in the armrest.



The optional individual rear seats in the Saloon feature exceptional lateral support, additional contour upholstery and a centre console

Active multicontour front seats with massage and dynamic handling function (optional).

The active multicontour seats provide the driver and front passenger with optimum support. Separately controllable air chambers adapt to fit the individual occupant's stature perfectly, while the seat's side bolsters adjust automatically and dynamically to suit the current driving situation. Further-enhanced comfort is assured by a 7-zone dynamic massage function and pneumatic adjustability of the seat cushion length, the side bolsters and the lumbar support.

Memory package (optional). The front seats are available with full electrical adjustment as an optional extra. The switches for this are clearly arranged in the doors. If the Memory package is ordered, three position settings can be stored for the driver's seat, steering column and mirrors.

Load compartment management

The E-Class Estate has plenty of stowage space. Intelligent solutions are required to enable it to be used efficiently – such as the EASY-PACK load compartment management system.



The EASY-PACK folding load compartment floor can be opened in stages. The load compartment rails in the EASY-PACK load-securing kit ensure that carried items are held safely and securely

EASY-PACK quickfold (standard). For easier loading, there is an actuating lever on the left and right at the D-pillars, enabling the rear seat backrests to be folded down easily, even from the load compartment. The release handle in the rear seat backrest area is another practical feature: one move is all it takes to fold the backrest forward. Even when it is upright again, the regular boot capacity is an ample 695 litres.

EASY-PACK folding load compartment floor (standard). Concealed beneath the load compartment floor is an additional stowage space of 132 litres, which can also be used for stowing an optional spare wheel. This stowage space is made accessible thanks to the new EASY-PACK folding load compartment floor. Its folding principle makes it possible to open it in stages, which aids loading. In the ELEGANCE

and AVANTGARDE design and equipment lines, there is also a second load level in the form of a compartment case with an additional collapsible crate beneath the folding load compartment floor.

EASY-PACK load-securing kit (optional). In combination with the second load compartment level, the Estate can be supplied with an EASY-PACK load-securing kit. It includes a telescopic bar which attaches to cargo rails at the sides and allows the load compartment to be divided flexibly into different zones. And items can be secured to the luggage compartment sides using the retractable load-restraining belt. The EASY-PACK rear sill protector can protect the bumper and boot sill against scratches and damage during loading and unloading.



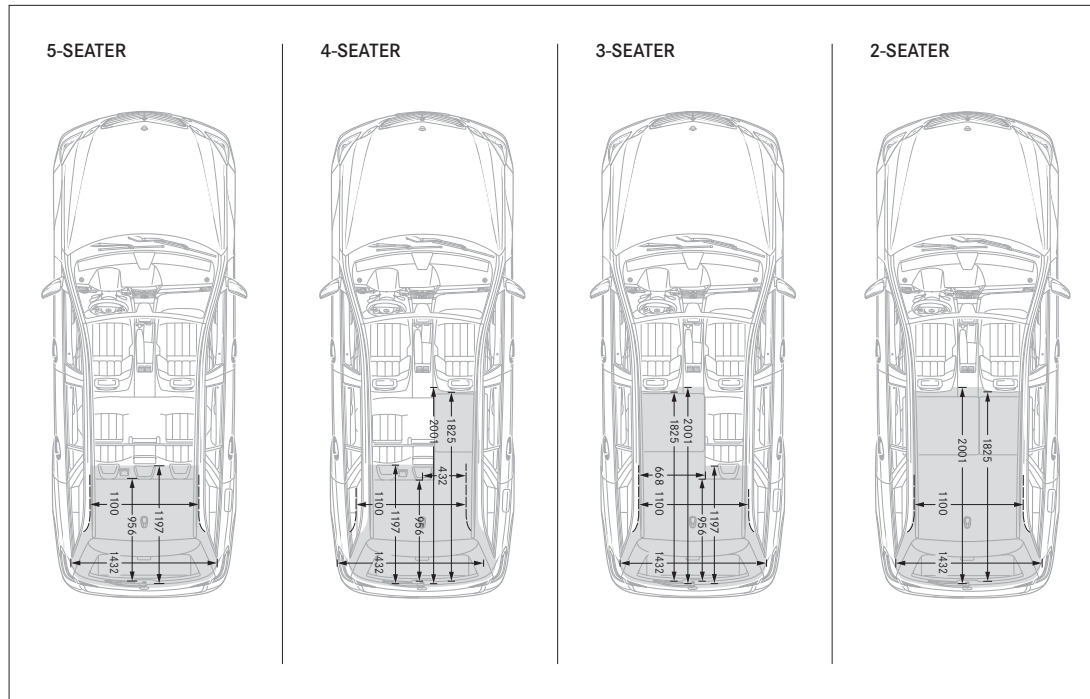
EASY-PACK quickfold at the D-pillar allows the rear seat backrest to be folded down, even from the boot



The release handle at the C-pillar makes it very easy to fold forward the rear seat backrest

Space

With its exemplary load compartment concept and up to 1950 litres of load space, the Estate is a class leader.



Load compartment. The dimensions of the E-Class Estate – length 4.89 metres, width 1.85 metres and height 1.47 metres – form the basis for its large load compartment. Equipped with the optional folding seat bench in the load compartment, the Estate can either carry up to seven people or transport a load of up to 1950 litres. The latter is possible if the rear seat backrests are all folded down. These can also



The optional folding bench seat in the load compartment can carry two people, each with a max. height of 140 cm and weight of 50 kg

be folded down separately, with a 1/3 : 2/3 split, of course.

EASY-PACK load compartment cover (standard).

A combined load compartment cover and net is positioned in the C-pillar area. The load compartment cover, colour-coded to match the interior appointments, shields luggage from the sun and prying eyes. For easy loading, it moves upwards automatically when the tailgate is opening and returns to its starting position when the tailgate is closed. Depending on the size of the load being carried, the safety net for dividing the load compartment can be attached between the B-pillars or the C-pillars. It protects the occupants effectively from items in the load

compartment. Further features in the load compartment enable items to be stowed tidily and safely, e.g. nets integrated in the side panelling for the safe stowage of smaller items, bag hooks which pop out at the simple push of a button and a 12-volt socket providing an additional power supply in the load compartment.



The EASY-PACK load compartment cover moves upwards when the tailgate is opened

EASY-PACK tailgate (standard). The EASY-PACK tailgate can be operated electro-hydraulically. It can be opened at the push of a button from the driver's seat, at the tailgate or by using the ignition key. It can also be closed again using a switch on the tailgate. Plus it can be stopped in a lower position, e.g. to prevent contact with low garage ceilings.



You can also open and close the EASY-PACK tailgate in a low position at the push of a button



E 63 AMG exterior

The expressive exterior of the E 63 AMG reflects its inner values perfectly: the sporty Saloon developing 386 kW features an AMG front and rear apron, side sill panels and flared front wings. The AMG-specific LED daytime driving lights emphasise the unique design of the car, as do the AMG light-alloy wheels or the optionally available AMG forged wheels (further AMG wheels can be seen on page 91).

EXTERIOR

AMG 5-spoke light-alloy wheels

AMG bodystyling, comprising front and rear aprons as well as side sill panels

AMG high-performance composite brake system

AMG-specific LED daytime driving lights

AMG sports exhaust system with chromed twin tailpipes

Dark-tinted headlamps in conjunction with optional Light package

Distinctive, flared front wings with "6.3 AMG" lettering





E 63 AMG interior

Inside, too, the E 63 AMG impresses with its sportiness throughout. At the centre of it all is the AMG DRIVE UNIT with E-SELECT lever, which can be used to adapt transmission modes, ESP® functions and suspension setups in line with individual requirements. The innovative technology is shrouded in fine materials: leather for the ergonomic AMG sports seats or the AMG 4-spoke sports steering wheel, brushed stainless steel for the AMG door sill panels or the AMG sports pedals.



INTERIOR

AMG 4-spoke sports steering wheel with silver-coloured aluminium gearshift paddles

AMG door sill panels in brushed stainless steel

AMG DRIVE UNIT with E-SELECT lever

AMG instrument cluster, incl. RACETIMER

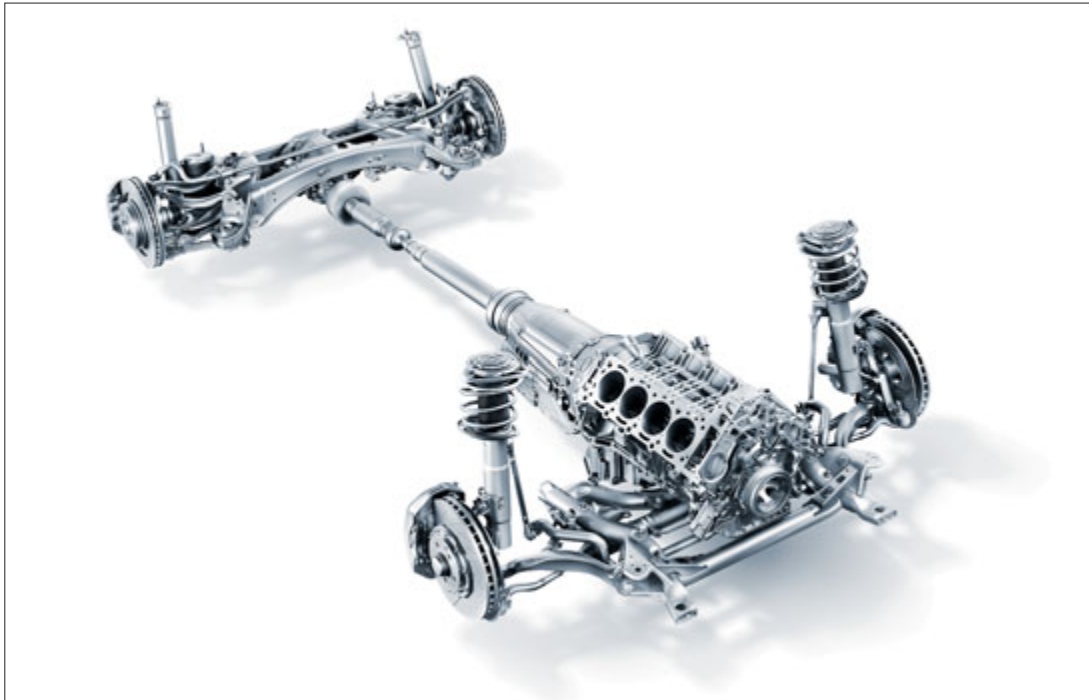
AMG speed-sensitive sports steering

AMG sports seats in leather offering optimised lateral support

Dashboard and door beltlines in ARTICO man-made leather

E 63 AMG technology

The E 63 AMG impresses with its emotive driving feel, dynamism and power at the highest level. But the executive saloon always lets the driver choose between a sporty or a more comfort-oriented driving style.



AMG 6.3-litre V8 engine. The E 63 AMG drive system incorporates motor-racing technology such as a magnesium dual-length intake manifold with internal throttle valves and a sophisticated valve train, which allow the V8 engine to post a highly impressive set of performance figures. Developing 386 kW and a peak torque of 630 Nm, the E 63 AMG accelerates from 0 to 100 km/h in just 4.5 seconds (Saloon) or 4.6 seconds (Estate).

AMG SPEEDSHIFT MCT 7-speed sports transmission. The high-tech transmission offers the driver the ultimate in flexibility as, in addition to the “Race Start” and automatic double-declutching functions, it also provides four individual transmission modes: Controlled Efficiency, or “C” for short, is a consumption-optimised mode, while “S” (Sport), “S+” (Sport Plus) and “M” (Manual) modes enhance dynamism. They allow gear

changes in under 100 ms thanks to partial suppression of individual cylinders when upshifting. A compact, wet clutch in place of the conventional torque converter translates accelerator pedal movements into forwards thrust instantaneously and with the best possible traction.

AMG RIDE CONTROL sports suspension.

The wider front axle used for the AMG sports suspension enhances lateral dynamics substantially, while the electronically controlled damping system allows lightning-fast changes in the setup, depending on whether maximum agility or optimum ride comfort is required. The new AMG RIDE CONTROL sports suspension also offers an impressive array of individualisation options: as well as allowing the driver to select from a range of suspension modes – “Comfort”,

“Sport” and “Sport Plus” – it lets the driver choose whether to switch the ESP® dynamic handling control system to “ON”, “SPORT” or “OFF” mode. The AMG speed-sensitive sports steering has an even more direct ratio and, therefore, offers greater steering precision and



Motor-racing technology gives the AMG 6.3-litre V8 engine maximum agility

better road feel. The new AMG high-performance composite brake system featuring 360 mm brake discs and highly durable composite technology tested on the race track ensures outstanding levels of deceleration and fade resistance.



The AMG SPEEDSHIFT MCT 7-speed sports transmission offers customised modes for maximum driving pleasure



AMG Performance Studio

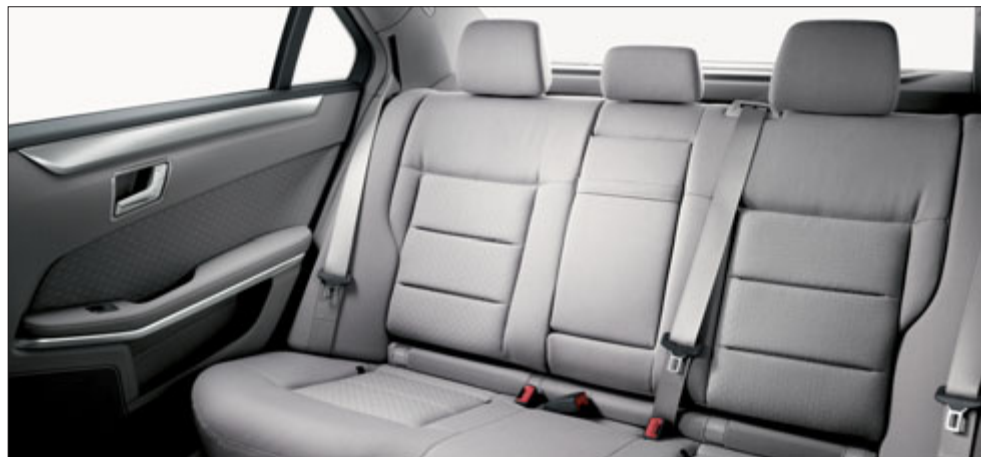
The AMG Performance Studio offers a wealth of options for further enhancing the dynamic aspects of the E 63 AMG. The AMG Performance package, for example, consists of AMG RIDE CONTROL performance suspension, an AMG rear-axle differential lock, an AMG 3-spoke performance steering wheel, AMG forged wheels (further AMG wheels can be seen on page 91) and an AMG spoiler lip on the boot lid. Optional extras available include the AMG Exclusive package, AMG carbon-fibre trim, the AMG Exterior Carbon Fibre package and illuminated AMG door sill panels. A further highlight is the new AMG ceramic high-performance composite brake system, which is 40% lighter in weight and also offers outstanding resistance to fading, even when subjected to high loads. What's more, the AMG Performance Studio can meet customer requests for personalised vehicles as well as special one-off models.





Standard equipment

When it comes to standard equipment, the E-Class impresses with an array of key comfort- and safety-related features. Not to mention high-quality visual attributes such as LED tail lights, a chromed radiator grille and a harmonious interior.



EXTERIOR

9-spoke light-alloy wheels

Beltline trim strip in black aluminium

Bumpers and side trim in vehicle colour

LED tail lights (except indicator lights)

Radiator grille in bumper and front fog lamp surrounds in black

Radiator grille in stone grey with 3 chromed louvres

INTERIOR

High-sheen dark brown eucalyptus wood trim
(optionally in embossed aluminium)

Instrument cluster with 5 analogue circular instruments

Lyons fabric upholstery, seat design with horizontal seamlines

Multifunction steering wheel in nappa leather with 12 pushbuttons,
4 spokes and 2 chrome highlights



There is a choice of seat covers in either fabric, ARTICO man-made leather (optional) or genuine leather (optional). There are also two upholstery colours to choose from in each case (see right), with the same upholstery being used for the inside of the doors. Many of the interior elements are kept in elegant black.

BLACK/BLACK

- 001 Lyons fabric
 - 101 ARTICO man-made leather
 - 201 Leather
-

BLACK/ALPACA GREY

- 008 Lyons fabric
 - 108 ARTICO man-made leather
 - 208 Leather
-

TRIM

- 734 High-sheen dark brown eucalyptus wood (standard)
 - 739 Embossed aluminium (optional)
-



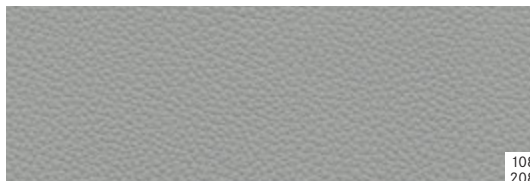
001



008



101
201



108
208



734



734



739



739



ELEGANCE line

The optional ELEGANCE line emphasises the elegant side of the E-Class. Exterior features that catch the eye straight away include the polished chrome highlights, while the harmonious interior features an impressive mix of fine trim and wood inlays.



EXTERIOR

10-twin-spoke light-alloy wheels

Beltline trim strip in polished stainless steel

Chrome trip strips on the sides and on the front and rear bumper

Front fog lamps and daytime driving lights with chrome surrounds

Radiator grille in metallic silver with 4 chromed louvres

INTERIOR

Ambient lighting in the front – behind the trim and in the doors

High-shine brown burr walnut wood trim
(optionally in dark brown open-pore ash wood)

Illuminated stowage box in centre console and centre armrest

Stowage compartment under the front seats

Toulon fabric upholstery, seat design with vertical seamlines



As an alternative to fabric, the seat covers and insides of the doors can also be upholstered in ARTICO man-made leather (optional), leather (optional) or nappa leather (Exclusive package). The dashboard, carpets and roof lining match the selected interior colour perfectly.

BLACK/BLACK

- 401 Toulon fabric
- 101 ARTICO man-made leather
- 201 Leather
- 801 Nappa leather¹

MOCHA BROWN/ALMOND BEIGE

- 105 ARTICO man-made leather
- 205 Leather
- 805 Nappa leather¹

REEF GREY/ALPACA GREY

- 408 Toulon fabric
- 108 ARTICO man-made leather
- 208 Leather
- 808 Nappa leather¹

TRIM

- 731 High-sheen brown burr walnut wood trim
 - H09 Optionally in dark brown open-pore ash wood
-

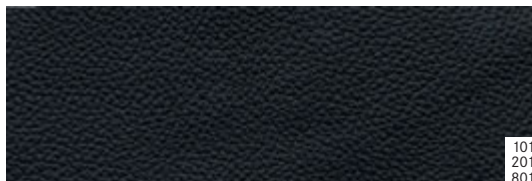
¹ Nappa leather only available in conjunction with the Exclusive package



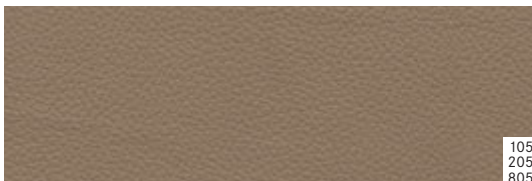
401



408



101
201
801



105
205
805



108
208
808



731



731



731



H09



H09



H09



AVANTGARDE line

The optional AVANTGARDE line lends the E-Class a distinctly sporty character. The exterior is more dynamic, more striking and bolder.



EXTERIOR

5-twin-spoke light-alloy wheels

Beltline trim strip in polished stainless steel

Chrome trim strips on sides and on rear bumper

DIRECT CONTROL suspension with sports tuning

Light package

Radiator grille painted black, with 3 chromed louvres

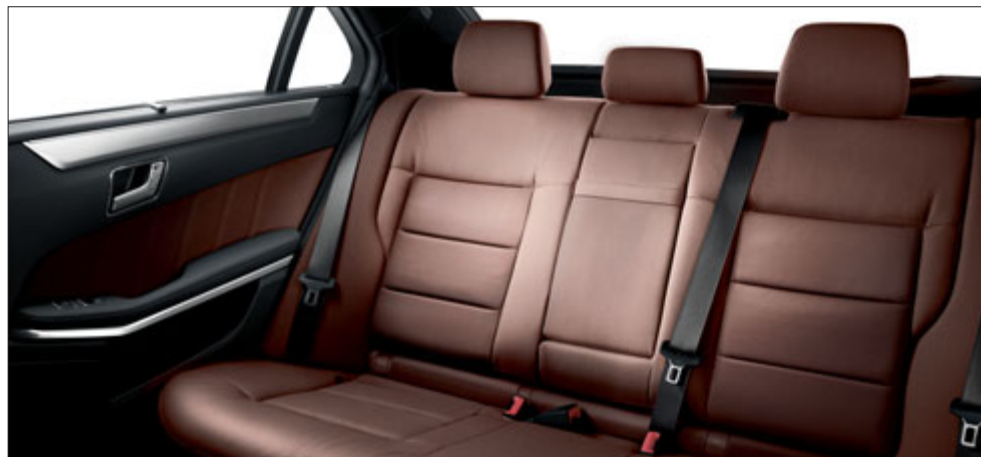
INTERIOR

Ambient lighting in the front – behind the trim and in the doors

ARTICO man-made leather/Biarritz fabric upholstery,
seat design with horizontal seamlines

High-shine dark brown ash wood trim
(optionally in brushed aluminium)

Illuminated stowage box in centre console and centre armrest





The upholstery is trimmed in a combination of fabric and ARTICO man-made leather with genuine leather (optional) or nappa leather (Exclusive package). In addition to this, the steering wheel and the shift/selector lever are trimmed in nappa leather.

BLACK/BLACK

- 701 ARTICO man-made leather/Biarritz fabric
- 101 ARTICO man-made leather
- 201 Leather
- 801 Nappa leather¹

BLACK/ALMOND BEIGE

- 105 ARTICO man-made leather
- 205 Leather
- 805 Nappa leather¹

BLACK/ALPACA GREY

- 708 ARTICO man-made leather/Biarritz fabric
- 108 ARTICO man-made leather
- 208 Leather
- 808 Nappa leather¹

BLACK/CHESTNUT BROWN

- 254 Leather

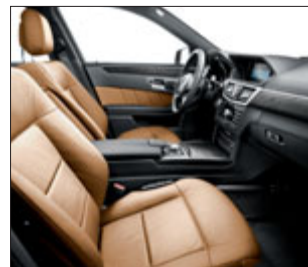
BLACK/NATURAL BEIGE

- 264 Leather

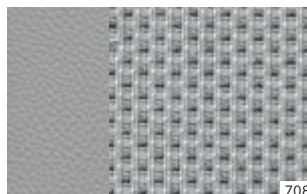
TRIM

- 736 High-sheen dark brown ash wood (standard)
 - H76 Brushed aluminium (optional)
-

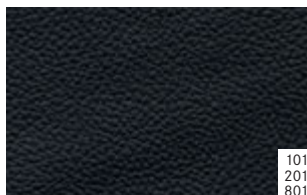
¹ Nappa leather only available in conjunction with the Exclusive package



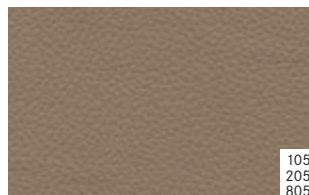
701



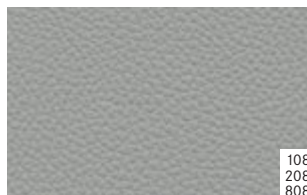
708



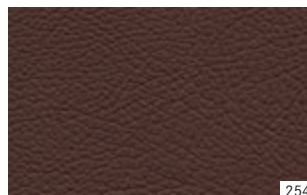
101
201
801



105
205
805



108
208
808



254



264



736



736



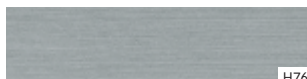
736



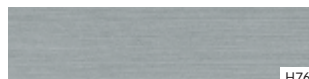
736



736



H76



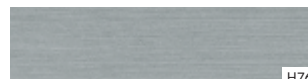
H76



H76



H76



H76



Exclusive package

The finest materials and elegant visual touches – the optional Exclusive package adds an extra aura of refinement to the high-quality interior of the ELEGANCE and AVANTGARDE lines.



INTERIOR

Black, beige or grey as interior colours

Dashboard and upper door panelling with high-quality trim and visible topstitching

Roof lining, pillars and sun visors in Alcantara® (in beige or grey)

Seats with nappa leather upholstery in black, beige or grey (gathered door centre panels)

Velour floor mats with nubuck strip in appointments colour



Exterior Sports package

Give your E-Class an even sportier look – with the optional Exterior Sports package. The lowered body, callipers on the front axle with Mercedes-Benz lettering and 5-spoke light-alloy wheels lend your E-Class an exceptionally agile exterior appearance.



Exhaust system with trapezoid tailpipe trims integrated in the bumper



EXTERIOR

5-spoke light-alloy wheels (4), Code R 32

Front: 8.5 J x 18 ET 48, tyre size 245/40 R 18

Rear: 9.0 J x 18 ET 54, tyre size 265/35 R 18

DIRECT CONTROL suspension with sports tuning

Exhaust system with oval tailpipe trims in polished stainless steel for the 4-cylinder models, single-pipe design for diesel models, twin-pipe design for petrol models

Exhaust system with trapezoid tailpipe trims in stainless steel integrated in the bumper for 6- and 8-cylinder models

Front callipers with Mercedes-Benz lettering

Perforated front disc brakes



AMG Sports package

From the AMG sports steering wheel to the AMG bodystyling – everything is emphatically sportier.

EXTERIOR

AMG 6-twin-spoke light-alloy wheels

AMG bodystyling, front apron, rear apron and side sill panels

DIRECT CONTROL suspension with sports tuning

Front axle with perforated brake discs and “Mercedes-Benz” lettering on the callipers

LED daytime driving lights in specific design

Oval tailpipe trim in polished stainless steel, for 4-cylinder models

Rectangular tailpipe trims in polished stainless steel integrated in the bumper, for 6- and 8-cylinder models

INTERIOR

AMG 3-spoke sports steering wheel in nappa leather

Black roof lining (in conjunction with AVANTGARDE line or black appointments)

Brushed stainless-steel sports pedals with rubber studs

DIRECT SELECT shift paddles and manual shift mode (M) in conjunction with automatic transmission

Floor mats with AMG lettering

Front sports seats in DINAMICA microfibre/ARTICO man-made leather in black with light double topstitching



Optional leather appointments





designo

Exclusive designo paintwork, exquisite leather upholstery, high-quality trims and roof linings in the finest Alcantara® are available for many combinations. Further designo appointments and information can be found at www.mercedes-benz.com/designo



EXTERIOR

Eight designo metallic paint finishes

Three designo magno paint finishes with satin-finish clearcoat

INTERIOR

designo leather appointments in nine colours

designo wood trim in four designs

Door centre panels in designo leather with leather piping in contrasting colour

Extended designo leather appointments comprising dashboard upper section and upper door panelling in designo black leather

Roof lining in designo Alcantara®

Specific designo seat upholstery layout with leather piping in contrasting colour and designo badge

Steering wheel in designo wood/leather

Velour floor mats with edging in designo black leather and designo badge



Standard equipment | Selection



Central display



Audio 20 radio



THERMATIC automatic climate control



Multifunction steering wheel in nappa leather with chrome inserts



6-speed manual transmission



Roof rails in black (for Estate only)

Optional extras | Selection



COMAND APS multimedia system



Panoramic sliding sunroof



Sliding sunroof



EASY-PACK boot box (for Saloon only)



KEYLESS-GO package (start/stop button)



Light package with LED daytime driving lights

Wheels



9-spoke light-alloy wheels (standard) with 205/60 R 16 (not for Estate) or 225/55 R 16 tyres (depending on engine); not for E 500 or 4MATIC models



5-twin-spoke light-alloy wheels with 245/45 R 17 tyres (AVANTGARDE)



5-twin-spoke light-alloy wheels with 225/55 R 16 or 245/45 R 17 tyres, high-sheen finish (optional extra, Code R 78 or R 48)



10-twin-spoke light-alloy wheels with 225/55 R 16 (standard for ELEGANCE) or 245/45 R 17 tyres (optional, standard for E 500 and 4MATIC models)



7-spoke light-alloy wheels with 205/60 R 16 tyres (optional at no extra charge, Code R75, only for E 200 CDI BE, E 220 CDI BE, E 200 CGI BE; not for Estate)



5-spoke light-alloy wheels with 245/40 R 18 front and 265/35 R 18 rear tyres (standard with Exterior Sports package, optional extra, Code R 32, Code R 96 for 4MATIC models)



AMG 6-twin-spoke light-alloy wheels with 245/40 R 18 front and 265/35 R 18 rear tyres, 245/40 R 18 front and rear tyres for 4MATIC (standard with AMG Sports package)



AMG 5-twin-spoke forged wheels with 255/35 R 19 front and 285/30 R 19 rear tyres, painted titanium grey with polished surfaces (optional for E 63 AMG)



AMG 7-twin-spoke light-alloy wheels with 245/35 R 19 front and 275/30 R 19 rear tyres, painted sterling silver (optional extra, Code 770)



AMG 5-spoke light-alloy wheels with 255/40 R 18 front and 285/35 R 18 rear tyres, painted titanium grey with high-sheen finish (standard for E 63 AMG)



AMG 5-twin-spoke light-alloy wheels with 245/40 R 18 front and 265/35 R 18 rear tyres, high-sheen finish (optional extra, Code 795 or 791)



The new KidFix child seat provides an exceptional level of safety for even the youngest of occupants

Genuine accessories

A Mercedes-Benz is more than just a car. It can be a travel companion, an office, a living space. And this diversity is reflected in the Mercedes-Benz accessories range.

One particularly important aspect is the safe transport of bulky objects such as bicycles, skis or large items of luggage. There is a range of reliable and flexible rack systems available for such tasks. For example, a roof box in titanium metallic or matt silver, with a choice of three sizes. It has a capacity of 330 to 450 litres. The range of accessories also includes a rear-mounted bicycle rack. The standard-fit roof rails on the Estate can be supplemented by optional crossbars, which hold the New Alustyle ski and snowboard racks as well as the Mercedes-Benz roof boxes firmly in place.

Entertainment is also provided for, for example in the shape of the Mercedes-Benz iPod® Interface Kit. It puts you fully in control: you operate your iPod® using the multifunction steering wheel and the familiar iPod® structure, while all the important information is displayed on the instrument cluster. The iPod® is recharged during use and sits in the glove compartment, away from prying eyes.

The KidFix child seat is ideal for children aged between around 3½ and 12 years (15 to 36 kg). The raised seat and height-adjustable backrest ensure optimum side impact protection.

Please consult our special brochures or your Mercedes-Benz dealer for further details on the extensive range of genuine accessories.



5-spoke light-alloy wheels with 245/40 R 18 front and 265/35 R 18 rear tyres, sterling silver (incenio light-alloy wheel). Further wheels on request

Services

Mercedes-Benz Museum. More than 120 years of automotive history in one place – this is what awaits you at the Mercedes-Benz Museum in Stuttgart. Experience the unique excitement, and embark upon a thrilling journey through time. Housed inside an architecturally impressive building, over 1500 exhibits on nine levels give you an insight into the unique tradition and powers of innovation of the Mercedes-Benz brand. See the world's first two automobiles in the shape of the Benz Patent-Motorwagen (motor car) and the Daimler motorised carriage – both from the year 1886. Two linked circuits take you from the beginnings of the automobile, past a series of unforgettable classics, through more than 100 years of motor racing history and, finally, on to a glimpse of what the future holds – in an area covering a total of 16,500 square metres. Enjoy the unique brand experience. We look forward to your visit. Further details can be found at www.mercedes-benz.com/museum

MercedesCard. The card is your ticket to the Mercedes-Benz experience: four times a year, we will send you exciting details of a selected range of events and services, which we have put together exclusively for you. Then there is the Mercedes magazine with its fascinating reports and articles. But the MercedesCard also has many other uses: as a VISA credit card, it is an internationally accepted means of payment. Plus it offers further benefits to provide you with peace of mind, such as the exclusively compiled MercedesCard insurance package at a preferential price. You can also gain free entry to the Mercedes-Benz Museum simply by showing your VISA MercedesCard. Further details can be found at www.mercedes-benz.de/mercedescard¹

Mercedes-Benz Financial Services. Mercedes-Benz stands for quality, innovation and safety – and the same applies to Mercedes-Benz Financial Services. Our innovative leasing and financing products are tailored to your financial needs and means, making it easy for you to secure the keys to your dream car. Once you are on the road, our insurance products offer you just the right level of protection on every trip. Finally, our service products ensure that your car is always in tip-top condition whilst keeping costs transparent and easily manageable. For a detailed quotation, please contact your Mercedes-Benz dealer, who will be glad to go through the latest financial offers and terms together with you.

Mercedes-Benz mobility. Your new car comes with the assurance of carefree driving, but if you should ever need help Mercedes-Benz Service24h is there for you. Just call the freephone service hotline on 00800 1 777 7777². The newly integrated telematics service Mercedes-Benz Contact³ is even more customer-friendly: a touch of a button is all it takes to contact the Mercedes-Benz customer centre. If you wish, the relevant vehicle and position-related data can be transmitted at the same time, ensuring the shortest possible reaction time and rapid assistance. Also standard with your new car at no extra charge is the Mercedes-Benz Mobilo⁴ mobility package. Whether you have lost your key, have had a breakdown which cannot be repaired immediately or if the vehicle is damaged due to an accident or vandalism, Mobilo ensures that you still reach your destination – anywhere in Europe. Whatever your problem, one thing is certain: you will soon be able to resume your journey.

Service packages. Vehicle-specific services allow you to put together an individual package for your Mercedes, including long-term protection against unforeseeable repair costs and high-quality servicing with genuine Mercedes-Benz parts. You can also count on the extensive network of Mercedes-Benz workshops, where you will receive the usual high standard of service for your Mercedes at a predictable, fixed price. Please ask your Mercedes-Benz dealer for further details.

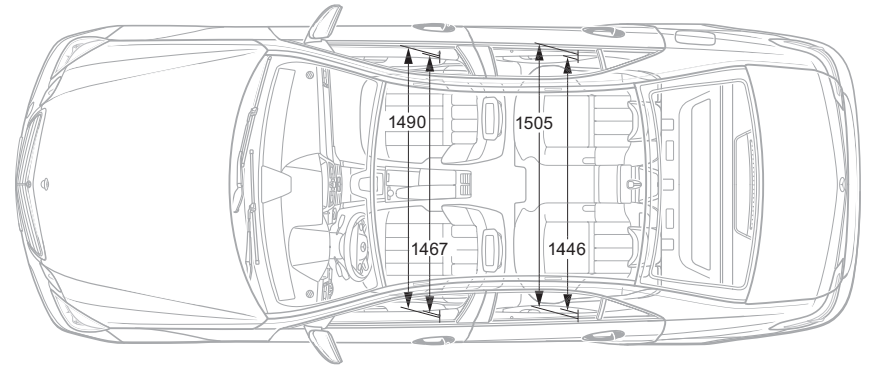
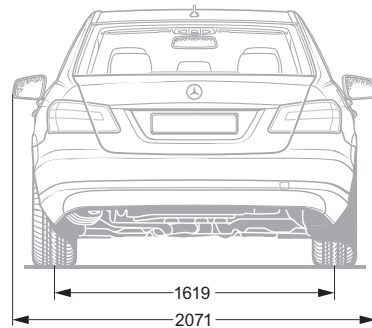
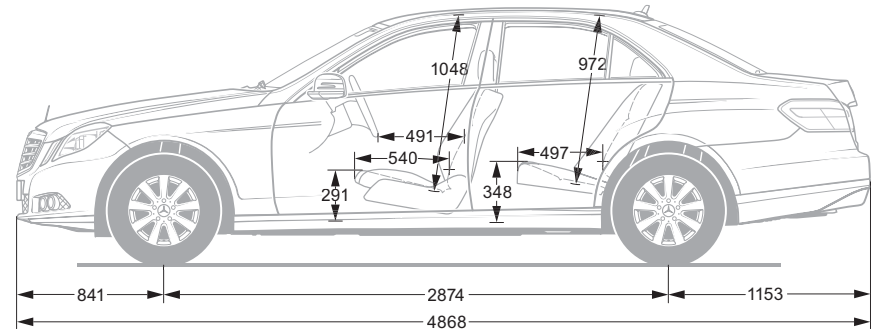
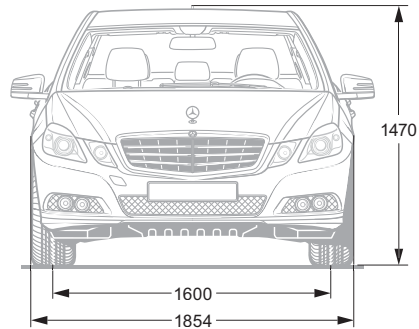
Test drive. The unique feeling of driving a Mercedes cannot be put into words. Which is why we'd like to invite you to take a test drive. Simply visit www.mercedes-benz.com to locate the nearest Mercedes-Benz dealer in your country or region. We look forward to seeing you.

Interactive Owner's Manual. The website also offers an interactive tour, enabling you to take a closer look at your desired model. This simulation is the ideal way to acquaint yourself with your dream car. You can view key functions in detail, gain an insight into the car's inner workings or look at the benefits of each model. For further details, go to: www.mercedes-benz.de/owners-manual

Mobile internet. Now you can access the entire world of Mercedes-Benz from your mobile phone. As well as an overview of all the passenger car models, there are insights into the entire brand world along with a wealth of entertainment offers and direct links to our range of services at www.mercedes.mobi

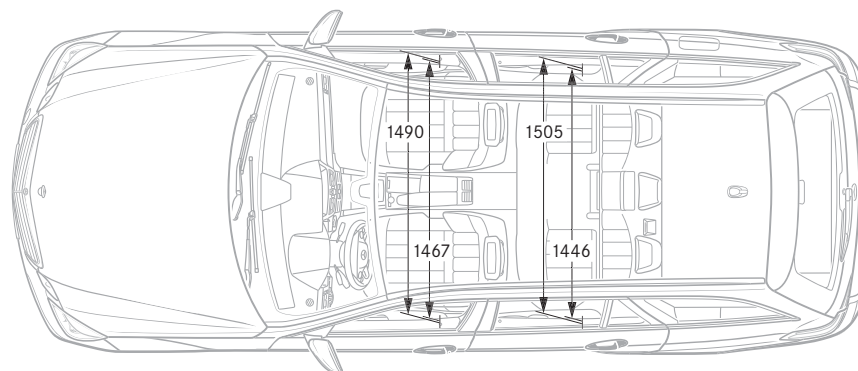
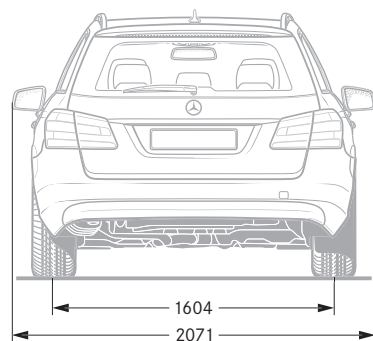
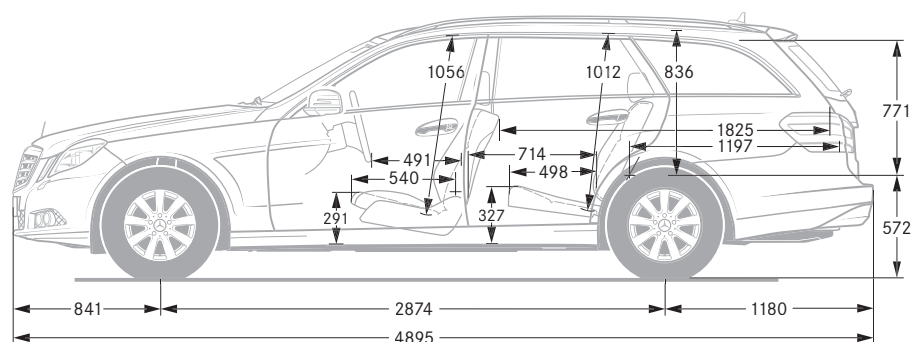
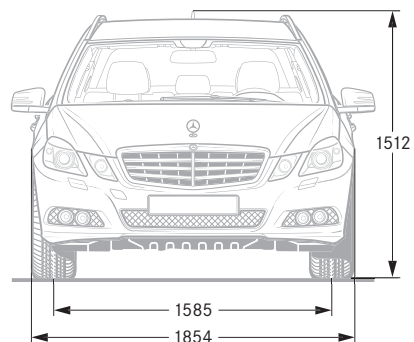
¹ Information about the MercedesCard in Austria and Switzerland can be found on the Mercedes-Benz websites for these countries ² Mobile-phone rates vary according to service provider. Alternative number: +49 69 95 30 72 77 ³ Only in conjunction with a factory-fitted radio and switched-on mobile phone. For the cost of a call to the landline network ⁴ When the warranty has expired Mobilo can be extended by another year for a maximum of 30 years, provided that regular maintenance is carried out by your Mercedes-Benz service partner

Dimensions of Saloon



All measurements in millimetres. The dimensions shown are mean values and apply to standard-specification, unladen vehicles

Dimensions of Estate



All measurements in millimetres. The dimensions shown are mean values and apply to standard-specification, unladen vehicles



Paintwork

The innovative paint system developed by Mercedes-Benz includes one of the best clearcoats on the automotive market and is a key factor behind the car's excellent value retention.

NON-METALLIC PAINTS (standard)

- 040 black
- 650 calcite white

METALLIC PAINTS (optional)

- 197 obsidian black
- 230 indigolite blue
- 359 tanzanite blue¹
- 755 tenorite grey
- 775 iridium silver
- 792 palladium silver
- 794 pearl beige
- 799 diamond white BRIGHT
- 963 indium grey

SPECIAL METALLIC PAINT (optional)

- 497 cuprite brown
-

Further individual paint finishes can be found in the designo range.

¹ Not available for E 63 AMG

Technical data for Saloon

	DIESEL ENGINES						
	E 200 CDI BE ¹	E 220 CDI BE ¹	E 250 CDI BE ¹	E 300 CDI BE ¹	E 350 BlueTEC	E 350 CDI BE ¹	E 350 CDI 4MATIC BE ¹
No. of cylinders/arrangement	4/in-line	4/in-line	4/in-line	6/V	6/V	6/V	6/V
Total displacement (cc)	2143	2143	2143	2987	2987	2987	2987
Rated output (kW at rpm) ² (automatic transmission)	100/2800-4600 (100/3000-4600)	125/3000-4200 (125/3000-4200)	150/4200 (150/4200)	- (150/4000)	- (155/3400)	- (170/3800)	- (170/3800)
Rated torque (Nm at rpm) ² (automatic transmission)	360/1600-2600 (330/1600-2800)	400/1400-2800 (400/1400-2800)	500/1600-1800 (500/1600-1800)	- (500/1400-2400)	- (540/1600-2400)	- (540/1600-2400)	- (540/1600-2400)
Acceleration from 0-100 km/h (s) (automatic transmission)	10.2 (10.3)	8.7 (8.8)	7.7 (7.8)	- (7.9)	- (7.8)	- (6.8)	- (7.1)
Top speed approx. (km/h) (automatic transmission)	210 (207)	228 (227)	240 (240)	- (240)	- (239)	- (250) ³	- (241)
Tyre size - front axle, rear axle	205/60 R 16	205/60 R 16	225/55 R 16	225/55 R 16	225/55 R 16	225/55 R 16	245/45 R 17
Fuel consumption (l/100 km) ⁴ urban (automatic transmission)	6.6-6.8 (7.0-7.4)	6.9-7.0 (7.8-8.0)	6.9-7.0 (7.8-8.0)	- (8.9-9.4)	- (9.7-10.0)	- (8.9-9.4)	- (9.0-9.2)
extra-urban (automatic transmission)	4.4-4.7 (4.6-5.0)	4.4-4.6 (4.4-4.7)	4.4-4.6 (4.4-4.7)	- (5.5-5.8)	- (5.2-5.6)	- (5.5-5.8)	- (5.8-6.0)
combined (automatic transmission)	5.2-5.5 (5.5-5.9)	5.3-5.5 (5.8-6.0)	5.3-5.5 (5.8-6.0)	- (6.8-7.1)	- (6.8-7.2)	- (6.8-7.1)	- (7.0-7.2)
CO ₂ emissions (g/km) ⁴ , combined (automatic transmission)	137-145 (145-153)	139-144 (154-159)	139-144 (154-159)	- (179-186)	- (180-188)	- (179-186)	- (183-188)
EU emission standard	EU5	EU5	EU5	EU5	EU6	EU5	EU5
Tank capacity (l)/incl. approx. reserve	59/8	59/8	59/8	80/9	80/9	80/9	80/9
Boot capacity (l)	540	540	540	540	540	540	540
Kerb weight (kg) ⁵ (automatic transmission)	1720 (1735)	1735 (1735)	1735 (1735)	- (1825)	- (1845)	- (1825)	- (1890)
Permissible gross vehicle weight (kg) (automatic transmission)	2255 (2270)	2270 (2270)	2280 (2280)	- (2350)	- (2370)	- (2350)	- (2415)

⁵ Figures according to Directive 92/21/EC, version 95/48/EC (kerb weight with fuel tank 90% full, driver, 68 kg, and luggage, 7 kg) for standard-specification vehicles. Optional extras and accessories will generally increase this figure and reduce the payload capacity accordingly

Technical data for Saloon

PETROL ENGINES

E 200 CGI BE ¹	E 250 CGI BE ¹	E 350 CGI BE ¹	E 350 4MATIC	E 500	E 500 4MATIC	E 63 AMG
4/in-line	4/in-line	6/V	6/V	8/V	8/V	8/V
1796	1796	3498	3498	5461	5461	6208
135/5250 (135/5250)	- (150/5500)	- (215/6400)	- (200/6000)	- (285/6000)	- (285/6000)	- (386/6800)
270/1800-4600 (270/1800-4600)	- (310/2000-4300)	- (365/3000-5100)	- (350/2400-5000)	- (530/2800-4800)	- (530/2800-4800)	- (630/5200)
8.5 (8.2)	- (7.8)	- (6.8)	- (7.2)	- (5.2)	- (5.4)	- (4.5)
232 (230)	- (238)	- (250) ³	- (250) ³	- (250) ³	- (250) ³	- (250) ³
205/60 R 16	225/55 R 16	225/55 R 16	245/45 R 17	245/45 R 17	245/45 R 17	255/40 R 18, 285/35 R 18
10.0-10.2 (10.2-10.5)	- (10.3-10.6)	- (12.4-12.5)	- (13.6-13.8)	- (16.2-16.7)	- (16.3-16.6)	- (18.7-18.7)
5.7-6.0 (6.0-6.3)	- (6.1-6.4)	- (6.3-6.6)	- (7.3-7.5)	- (7.7-8.0)	- (8.0-8.2)	- (9.1-9.1)
7.3-7.6 (7.5-7.9)	- (7.6-8.0)	- (8.5-8.8)	- (9.6-9.8)	- (10.8-11.2)	- (11.0-11.3)	- (12.6-12.6)
169-176 (177-184)	- (179-187)	- (199-205)	- (226-229)	- (253-261)	- (258-264)	- (295)
EU5	EU5	EU5	EU5	EU5	EU5	EU5
59/8	59/8	80/9	80/9	80/9	80/9	66/14
540	540	540	540	532	532	532
1615 (1615)	- (1650)	- (1735)	- (1805)	- (1830)	- (1880)	- (1840)
2150 (2150)	- (2185)	- (2280)	- (2330)	- (2375)	- (2425)	- (2390)

Technical data for Estate

PETROL ENGINES

E 200 CGI BE ¹	E 250 CGI BE ¹	E 350 CGI BE ¹	E 350 4MATIC	E 500	E 63 AMG
4/in-line	4/in-line	6/V	6/V	8/V	8/V
1796	1796	3498	3498	5461	6208
135/5250 (135/5250)	- (150/5500)	- (215/6400)	- (200/6000)	- (285/6000)	- (386/6800)
270/1800-4600 (270/1800-4600)	- (310/2000-4300)	- (365/3000-5100)	- (350/2400-5000)	- (530/2800-4800)	- (630/5200)
8.7 (8.8)	- (8.4)	- (7.0)	- (7.5)	- (5.4)	- (4.6)
225 (222)	- (230)	- (250) ³	- (243)	- (250) ³	- (250) ³
225/55 R 16	225/55 R 16	225/55 R 16	245/45 R 17	245/45 R 17	255/40 R 18, 285/35 R 18
10.2-10.7 (10.5-10.8)	- (10.6-10.9)	- (12.3-12.8)	- (14.2-14.3)	- (16.2-16.3)	- (18.8-18.8)
6.2-6.5 (6.3-6.6)	- (6.4-6.7)	- (6.5-6.6)	- (7.8-8.0)	- (8.0-8.1)	- (9.3-9.3)
7.7-8.0 (7.9-8.1)	- (8.0-8.2)	- (8.6-8.9)	- (10.2-10.3)	- (11.1-11.2)	- (12.8-12.8)
179-187 (183-189)	- (185-191)	- (200-208)	- (238-241)	- (258-260)	- (299)
EU5	EU5	EU5	EU5	EU5	EU5
59/8	59/8	80/9	80/9	80/9	66/14
695-1950	695-1950	695-1950	695-1950	695-1950	695-1950
1735 (1735)	- (1735)	- (1845)	- (1915)	- (1925)	- (1945)
2310 (2310)	- (2310)	- (2420)	- (2490)	- (2500)	- (2540)

Technical data for Estate

DIESEL ENGINES

E 200 CDI BE ¹	E 220 CDI BE ¹	E 250 CDI BE ¹	E 300 CDI BE ¹	E 350 BlueTEC	E 350 CDI BE ¹	E 350 CDI 4MATIC BE ¹
4/in-line	4/in-line	4/in-line	6/V	6/V	6/V	6/V
2143	2143	2143	2987	2987	2987	2987
100/2800-4600 (100/3000-4600)	125/3000-4200 (125/3000-4200)	150/4200 (150/4200)	- (150/4000)	- (155/3400)	- (170/3800)	- (170/3800)
360/1600-2600 (330/1600-2800)	400/1400-2800 (400/1400-2800)	500/1600-1800 (500/1600-1800)	- (500/1400-2400)	- (540/1600-2400)	- (540/1600-2400)	- (540/1600-2400)
10.9 (11.1)	8.8 (9.0)	7.8 (8.1)	- (8.3)	- (8.0)	- (7.2)	- (7.5)
205 (203)	218 (216)	233 (230)	- (230)	- (232)	- (240)	- (235)
225/55 R 16	225/55 R 16	225/55 R 16	225/55 R 16	225/55 R 16	225/55 R 16	245/45 R 17
7.3-7.4 (7.6-7.9)	7.4-7.5 (8.1-8.4)	7.4-7.5 (8.1-8.4)	- (8.9-9.4)	- (9.8-9.8)	- (8.9-9.4)	- (9.4-9.5)
4.9-5.1 (5.1-5.3)	4.7-4.9 (4.9-5.0)	4.7-4.9 (4.9-5.0)	- (5.9-6.1)	- (5.7-5.8)	- (5.9-6.1)	- (6.4-6.5)
5.8-6.0 (6.1-6.3)	5.7-5.8 (6.1-6.2)	5.7-5.8 (6.1-6.2)	- (7.0-7.3)	- (7.2-7.3)	- (7.0-7.3)	- (7.6-7.7)
152-156 (159-164)	150-153 (159-163)	150-153 (159-163)	- (185-192)	- (189-191)	- (185-192)	- (200-203)
EU5	EU5	EU5	EU5	EU6	EU5	EU5
59/8	59/8	59/8	80/9	80/9	80/9	80/9
695-1950	695-1950	695-1950	695-1950	695-1950	695-1950	695-1950
1825 (1845)	1845 (1845)	1845 (1845)	- (1925)	- (1955)	- (1925)	- (1990)
2400 (2420)	2420 (2420)	2420 (2420)	- (2500)	- (2530)	- (2500)	- (2565)

¹ BlueEFFICIENCY ² Figures according to Directive 80/1269/EEC in the currently applicable version ³ Electronically governed ⁴ The figures shown were obtained in accordance with the prescribed measuring process (Directive 80/1268/EEC in the currently applicable version). The figures are not based on an individual vehicle and do not constitute part of the product offer; they are provided solely for the purposes of comparison between the different vehicle models

NON-METALLIC PAINTS



METALLIC PAINTS



SPECIAL METALLIC PAINT



Take-back of end-of-life vehicles. Coming full circle. At the end of its long life, you can return your E-Class to us for environment-friendly disposal in accordance with the EC End-Of-Life Vehicle Directive¹. But that day lies a long way off.

¹ Applies in accordance with national regulations to vehicles up to 3.5 tonnes gross weight. Mercedes-Benz passenger cars have met the statutory regulations governing the suitability of their design for reuse and recycling for a number of years now. A network of vehicle take-back depots and dismantlers has been established which will process your vehicle in an environment-friendly manner. The ways in which both vehicles and parts can be recovered are subject to ongoing development and improvement. Consequently, the E-Class will be able to comply with any future increases in the recycling quota within the stipulated time limits. For further information, please call 00800 1 777 7777

Please note: changes may have been made to the product since this brochure went to press (17.02.2010). The manufacturer reserves the right to make changes to the design, form, colour and specification during the delivery period, provided these changes, while taking into account the interests of the vendor, can be deemed reasonable with respect to the purchaser. Where the vendor or the manufacturer uses symbols or numbers to describe an order or the subject of an order, no rights may be derived solely from these. The illustrations may show accessories and items of optional equipment which are not part of standard specification. Colours may differ slightly from those shown in the brochure, owing to the limitations of the printing process. This brochure is distributed internationally. It provides a general indication of the range of models, features, optional extras and/or colours available in various countries. Some of the models, features, optional extras and/or colours shown may not be available in your country or may only be available in a different specification. Additionally some models, features, optional extras and/or colours may only be available in combination with others. For current and more specific information in relation to the range of models, features, optional extras and/or colours available in your country, and their pricing, you should contact your nearest authorised Mercedes-Benz Passenger Car Dealer.
www.mercedes-benz.com