

GLA-Class.



Mercedes-Benz

This Brochure is prepared by Daimler AG and it predominantly reflects the capabilities and performance of vehicles sold in Europe.

Some characteristics, capabilities, performance features and optional extras (e.g. towing systems) may not be available or may not apply in Australia under Australian conditions. The information in this Brochure is therefore indicative, illustrative and provided only for guidance and should not be relied on. To obtain current and accurate information on a vehicle and any options applicable to Australia, contact your local authorised Mercedes-Benz dealer.



The new GLA. Always restless.

And in the new GLA this restlessness is contagious. In this compact premium SUV, even city roads feel like the great wide open. Revel in its sporty, dynamic design, cutting-edge drive systems and a standard of comfort and safety that is unique to Mercedes-Benz. Climb aboard and discover the new GLA.

MULTIMEDIA ADVENTURES WITH THE NEW GLA.



Discover the new GLA in fascinating HD. With the Mercedes-Benz Catalogue app for the iPad® and with the Digital Owner's Manual from "Mercedes-Benz Guides" for the iPhone®. Both apps feature a host of films and additional content and are available free of charge at the Apple® iTunes® store.

Adventure comes in various guises:

2 | Mercedes-Benz GLA 250

polar silver metallic

Urban equipment line, 5-twin-spoke light-alloy wheels, Exclusive package, upholstery in crystal grey leather, satin-finish light brown poplar wood trim

10 | Mercedes-Benz GLA 220 CDI

orient brown metallic

Style equipment line, 5-twin-spoke light-alloy wheels, ARTICO man-made leather upholstery in sahara beige, satin-finish light-brown poplar wood trim

18 | Mercedes-Benz GLA 45 AMG 4MATIC

cirrus white

10-spoke AMG light-alloy wheels, AMG Night package, AMG Carbon-Fibre package, AMG Exclusive package, black RED CUT leather upholstery, AMG carbon-fibre trim

All set for adventure:

28 | Engines

30 | 7G-DCT dual clutch transmission

31 | 4MATIC all-wheel drive

32 | COLLISION PREVENTION ASSIST
distance warning system

34 | COMAND Online multimedia system

35 | Harman Kardon® Logic 7® surround sound system

36 | Intelligent Light System

37 | Reversing camera

38 | Panoramic sliding sunroof

40 | GLA 45 AMG 4MATIC

44 | Equipment and packages

55 | Genuine accessories

56 | Equipment and packages

58 | Wheels

60 | Services

62 | Technical data

65 | Upholstery and paintwork

The illustrations may show accessories and optional extras which are not part of the standard specification.



Every ray of sunshine is like a spotlight.

If the road is a stage, the new GLA is a true character actor. With its typical SUV proportions and its striking front end, it exudes a self-assured presence. But the new GLA is not just an SUV – it is first and foremost a Mercedes. As indicated by the centrally positioned star in the radiator grille and the so-called “dropping line”. This is the design line which extends from the headlamps along the sides to the rear axle, creating an impression of fluid dynamism even when the vehicle is stationary. No wonder the new GLA looks so pleased with itself.



LIGHT ART

Not very long ago, headlamps were required simply to provide illumination. Today, many headlamps shine like little works of art. This is attributable above all to LED technology. LEDs are much longer-lasting and more efficient than conventional lights – and they create a fascinating light design. LEDs are optionally available for the new GLA,

depending on the selected scope of equipment. LEDs are employed in the front and rear indicators and in the brake light. The daytime running lamps, standing lamps and tail lamps employ fibre optics, which enable a harmonious arc of light. The resultant lights are absolute gems that provide for a distinctive design, day and night.





S X 1563

High noon. With up to 360 horsepower.

The new GLA is driven by true grit, self-confidence, a thirst for adventure – and five of the most cutting-edge engines in its class, equipped with a high-tech package including turbocharging and direct injection. The engine power is converted virtually directly into thrust: via an efficient front-wheel drive or particularly dynamic 4MATIC all-wheel drive. Via 6-speed manual transmission or 7G-DCT 7-speed dual clutch transmission.









The centrepiece of the cockpit is the large free-standing colour display – the point of access to a whole world of information and entertainment in your GLA. Depending on the installed scope of equipment, weather reports, sports news or your iPhone® playlist can be viewed on this screen. Digital radio and perfectly configured surround sound are also available. Digital technology is not the be-all and end-all inside the GLA, however: the round air vents are design classics in the making, embodying the traditional workmanship and use of high-quality materials in the new GLA.

In the background:
the low-lying sun.



Colour is a vital ingredient of any tale of nature, adventure and freedom. The new GLA is available in the special paint finish designo mountain grey magno*, for example, or – as shown here – orient brown metallic. It shines resplendently in the evening sun – and at any other time of the day or night, too.

* Introduction planned for the 3rd quarter of 2014.





Tell-tale signs of the GLA's adventurous spirit are to be found wherever you look. The structured bonnet with powerdomes and the radiator grille with two fins lend the front a particularly wide appearance. The bumper features criss-cross grating. And underneath the bumper is the typical SUV-style simulated underguard, which may be in silver, dark chrome or high-gloss black, for example, according to the selected equipment line. Highlights at the rear are the chrome strip between the lights, the roof spoiler and the optional robust load sill guard.



A night in watching TV? Or how about starring in your very own road movie ...









The interior of the new GLA holds a number of surprises in store, with a spacious feeling for a compact car. Particularly in conjunction with the optional panoramic sliding sunroof. And as an SUV offering the comfort and class of a traditional saloon. In all, an ideal setting in which to enjoy your new-found freedom.

The new GLA 45 AMG 4MATIC. Turning night into day.

Proud SUV or thoroughbred sports car? Discover the thrilling best of both worlds. The world's most powerful series production 4-cylinder car engine, a high-performance brake system, a sports transmission, performance-oriented 4MATIC all-wheel drive, speed-sensitive sports steering and a sports suspension, both from AMG, propel the new GLA 45 AMG 4MATIC into a league of its own.










First encounter: a walk around the new GLA 45 AMG 4MATIC reveals the characteristic features, such as the large AMG light-alloy wheels, the specific rear apron or the sporty tailpipes. And the AMG Performance Studio is able to fulfil a whole range of additional sporty wishes on request.






The stuff of dreams.
But it won't let you sleep.

4MATIC

265 kW (360 hp) and 450 Nm alone are not enough. This power is transmitted by the performance-oriented 4MATIC all-wheel drive. 4MATIC features a multi-disk clutch integrated in the rear axle differential with AMG-specific electrohydraulic control. This enables fully variable torque distribution, from front-wheel drive to a 50:50 split. The torque is distributed according to the selected stage of the

Electronic Stability Programme (ESP®) – from sporty with an emphasis on safety to maximum performance on cordoned-off race tracks. Variables influencing power distribution are road speed, lateral and longitudinal acceleration, steering angle, rotational speed difference between individual wheels, choice of gear and accelerator pedal position.

A close-up photograph of the center console in a Mercedes-Benz GLA 45 AMG 4MATIC. The central focus is the AMG Drive Unit, a sleek, metallic gear shifter with a leather-wrapped top and a Mercedes-Benz logo. The shifter is mounted on a dark, textured panel with illuminated gear positions: R, N, D, and P. To the left of the shifter, there are climate controls, including a rotary dial with 'AUTO' and 'ZONE' settings, and digital displays showing '21°C'. To the right, there are additional controls, including a rotary dial and buttons with symbols for navigation and other functions. The interior is finished with dark leather and red stitching, creating a high-performance, sporty atmosphere.

High-performance sport is at home inside the new GLA 45 AMG 4MATIC. All controls and displays are in performance-oriented design. The AMG DRIVE UNIT in the centre console and the AMG instrument cluster, for example. The trim also plays its part in conjuring up a tangible motorsport atmosphere.



What makes a car a Mercedes?

We have a deep-rooted tradition of driving innovation. We have continually gone down previously uncharted avenues. Milestone by milestone. These ventures spawned the first vehicle with a crumple zone, the first ABS, the first diesel car. The first automobile. But rather than wallowing in the past, less us look to the future.

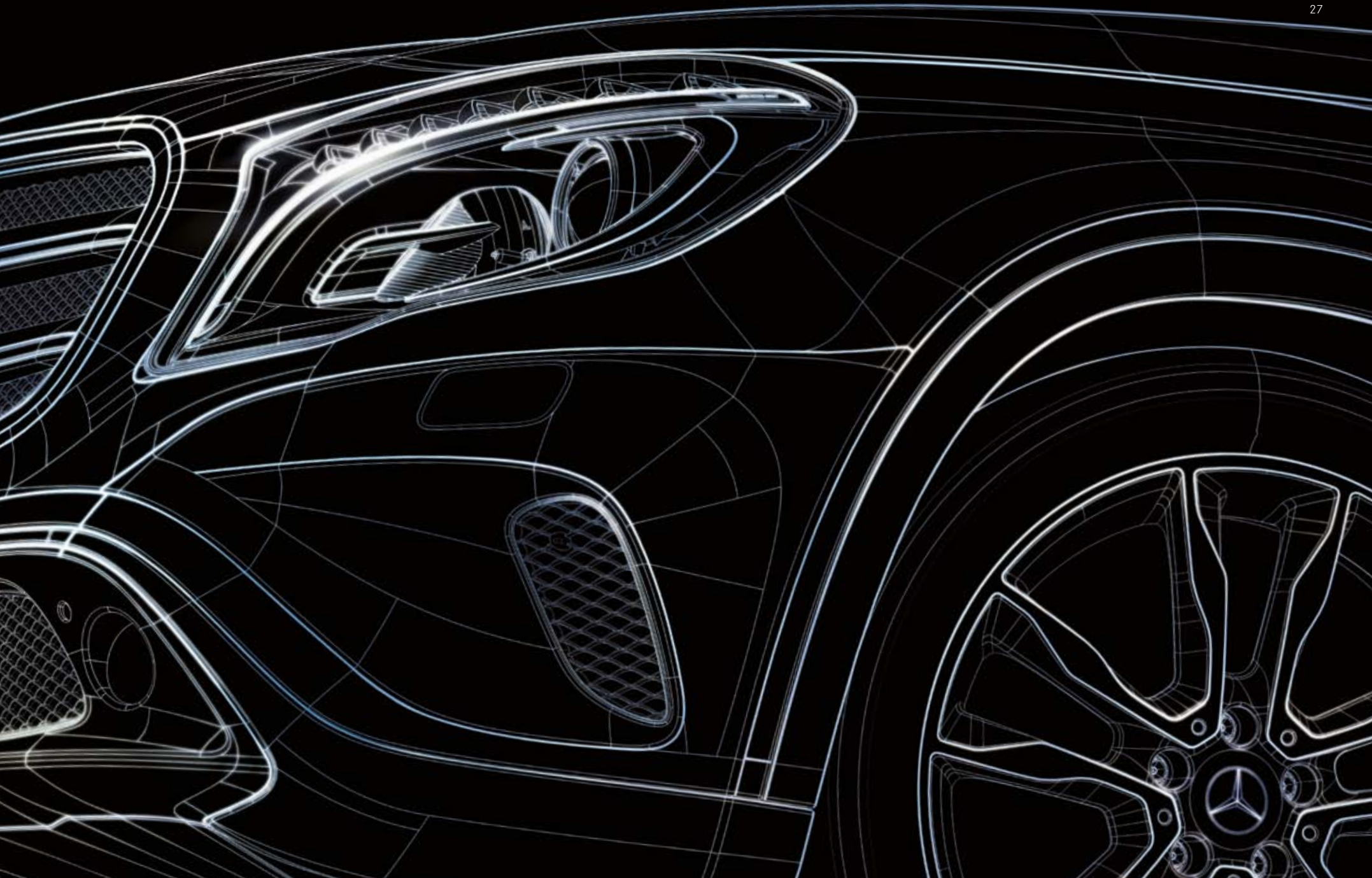
Mercedes-Benz Intelligent Drive – our vision of accident-free driving. We develop intelligent technologies which actively support the driver and noticeably relieve the driver's workload. Valuable assistants are already available on board the new GLA, automatically helping to keep the car at a safe distance from the vehicle in front, braking when necessary and warning the driver of impending rear-end collisions or of vehicles in the blind spot. The sensor technology of the driving assistance and safety systems is intelligently interlinked. Potentially dangerous situations are identified earlier than ever – and ever more frequently avoided as a result. Discover the fascinating world of Mercedes-Benz Intelligent Drive at www.mercedes-benz-intelligent-drive.com

BlueEFFICIENCY – our vision of zero-emission driving. Sustainability is a big word to which we lend real meaning in all that we do, down to the smallest details. From the most environment-friendly production possible through to alternative drive concepts. The new GLA features the ECO start/stop function as standard, for example.

Mercedes-Benz Connect – our vision of networked mobility. Online, we can reach any place and almost anyone in the world in a matter of seconds. It is difficult to imagine how the internet will continue to shape the future of mobility. But your Mercedes-Benz provides a foretaste, intelligently networking vehicle and internet. With a host of pioneering comfort, information and safety features, we are introducing the automobile into the digital world.

As you can see, we have major goals in our sights. We may have a long journey ahead of us – but what could be more pleasant than getting there in a Mercedes?





Driving ambition.

The new GLA is intended to inspire, to fire your imagination and to rouse your spirits. It certainly had this effect on us, prompting us to develop a completely new generation of engines. A cutting-edge technology package in particularly compact and lightweight design produces amazing results: the new GLA 250 has an output of 155 kW (211 hp) and consumes only 6.1–6.0 l/100 km in combined mode. What sounds like a contradiction in terms is actually the logical upshot of turbocharging, direct petrol injection, variable valve timing – and unflagging efforts on the part of our engineers.

The diesel engines: good vibes and virtually no vibrations.

For even more efficient driving, four diesel variants are available. With up to 350 Nm of torque, they offer an effortlessly superior driving experience. Overtaking manoeuvres are performed with astounding ease born of refined power. The latest generation of common rail direct injection enables efficient combustion and exceptionally smooth and quiet running.

A benchmark in efficiency.

The new GLA's low fuel consumption is down to innovative technologies – and our fundamentally holistic approach dedicated to the efficient husbanding of natural resources. We sum this approach up in one word: **BlueEFFICIENCY**. In concrete terms, this means burning fuel only when it is actually needed, for example. To this end, every GLA is equipped as standard with the **ECO start/stop function**, which temporarily shuts down the engine while the vehicle is stationary – in a traffic jam or at a red traffic light, for example. The ECO display is another standard-fit item which helps you to adopt a fuel-saving style of driving – this is still the most effective way of driving with maximum efficiency.

THE ENGINE RANGE

Diesel:

GLA 200 CDI/GLA 200 CDI 4MATIC
with an output of 100 kW (136 hp) and 300 Nm of torque

GLA 220 CDI/GLA 220 CDI 4MATIC
with an output of 125 kW (170 hp) and 350 Nm of torque

Petrol:

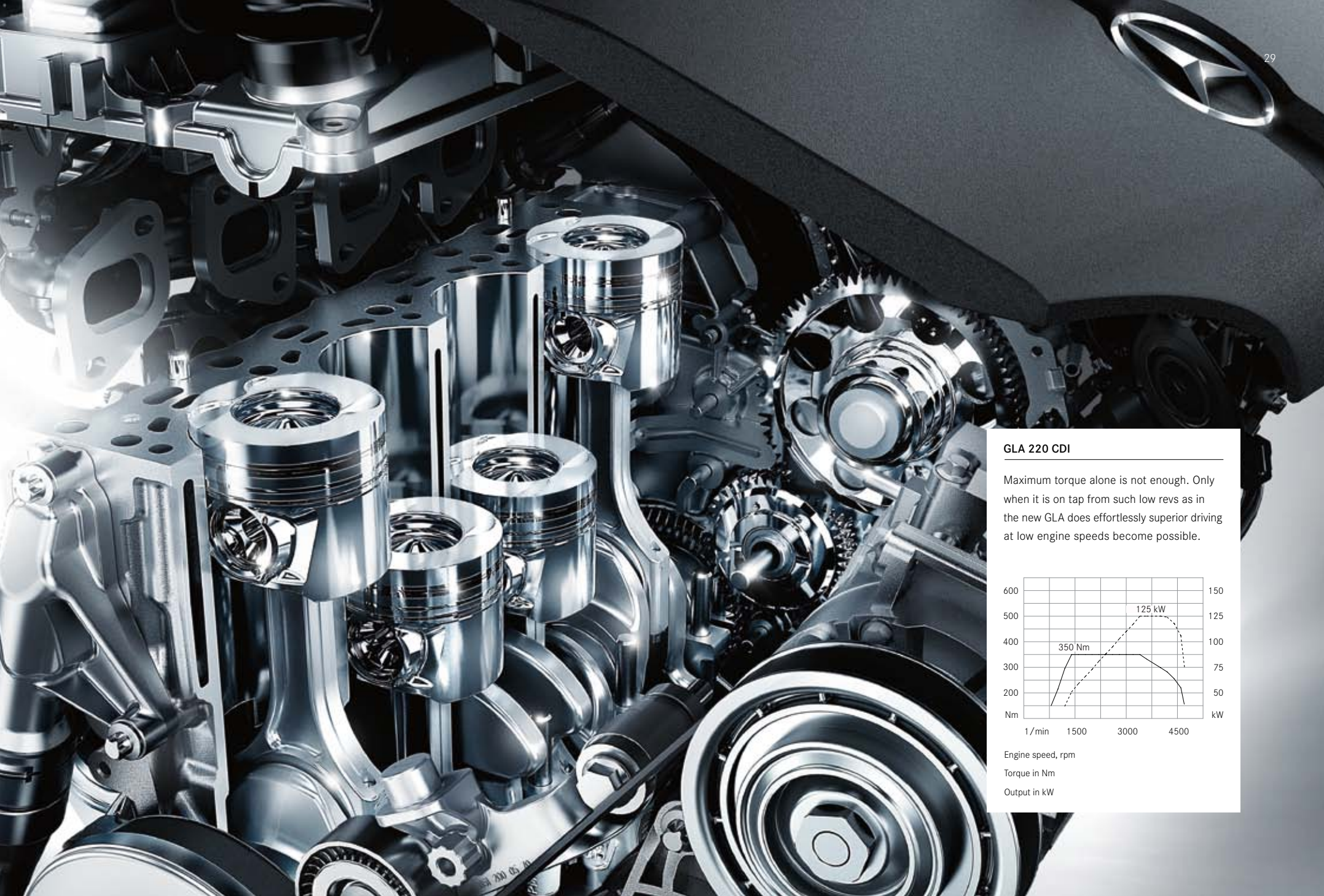
GLA 200 with an output of 115 kW (156 hp) and 250 Nm of torque

GLA 250/GLA 250 4MATIC
with an output of 155 kW (211 hp) and 350 Nm of torque

READ ON

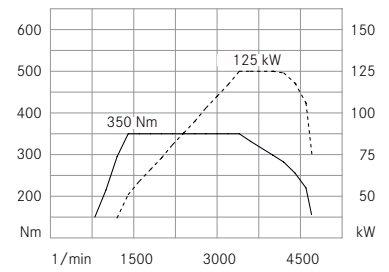
You will find all the technical data for the new GLA on page 62/63.

An engine so powerful it deserves its own chapter: the new GLA 45 AMG 4MATIC is presented in detail beginning on page 42.



GLA 220 CDI

Maximum torque alone is not enough. Only when it is on tap from such low revs as in the new GLA does effortlessly superior driving at low engine speeds become possible.



Engine speed, rpm
Torque in Nm
Output in kW



7G-DCT. “Dynamic-performance-without-interruption.”

Some like to change gear themselves, others prefer the automatic option. There are such good grounds for each of these alternatives that we have incorporated them both in a single transmission: the **7G-DCT** dual clutch transmission. The 7G-DCT consists of two sub-transmissions, each with its own clutch. This offers the advantage that the next gear is already engaged and gear-shifting takes place without any interruption in tractive power. This provides for even more comfortable driving – and above all, automatic gear-shifting is finally as fast as manual mode. We nevertheless appreciate that, however good an automatic transmission may be, many drivers prefer to change gear themselves. Consequently, the package includes steering wheel shift paddles – almost like in motorsport.

The availability of the two transmission variants is dependent on the selected engine model. Further information is to be found in the price list, in the online configurator or from your Mercedes-Benz dealership, for example, who will be pleased to advise you.

IN SHORT: THE TRANSMISSION VARIANTS

The 7G-DCT dual clutch transmission enables fast, smooth gear-shifting without any interruptions in tractive power. The shift characteristics can be preset from fuel-saving to sporty.

With short, direct shift travel, the **6-speed manual transmission** enables swift, smooth and easy gear shifting.



On the gripping subject of traction.

“I drive so rarely off-road, I don’t need all-wheel drive.” Such thinking is somewhat wide of the mark: **4MATIC all-wheel drive** – optional for the GLA 200 CDI, GLA 220 CDI and GLA 250 – is not only a boon in off-road use. It optimises driving safety in snow or wet conditions. It supports dynamic cornering by varying the distribution of driving power between front and rear axle. It enhances directional stability on fast stretches of motorway. And it improves acceleration on unfirm surfaces by means of braking intervention to prevent individual wheels from spinning. Experience it for yourself: once you have driven with all-wheel-drive, you won’t want to do without it ever again. The scope of 4MATIC features also includes a special off-road driving mode: modified drive characteristics provide for optimised traction, especially on unfirm surfaces. And Downhill Speed Regulation (DSR) helps the driver to handle steep downhill driving in a safe and controlled manner.

THE SUSPENSION OPTIONS

The standard-fit **comfort suspension** offers a good balance between comfort and dynamics, with adequate spring travel and optimum compensation of transverse forces. Low dynamic fluctuations in wheel loads and minimal rolling and pitching movements provide for improved control of the vehicle and driving safety.

The **Dynamic Handling package** features a suspension lowered by 15 millimetres and a sports Direct-Steer system with speed-sensitive power assistance and variable steering ratio. For greater agility, driving and ride comfort and directional stability.

The **off-road comfort suspension**: with this suspension variant the body is raised by 30 mm. This leads to improved off-road capability as a result of greater ground clearance, a raised seat position offering better all-round visibility and a more striking off-road look. This suspension variant additionally includes its own dedicated steering setup.

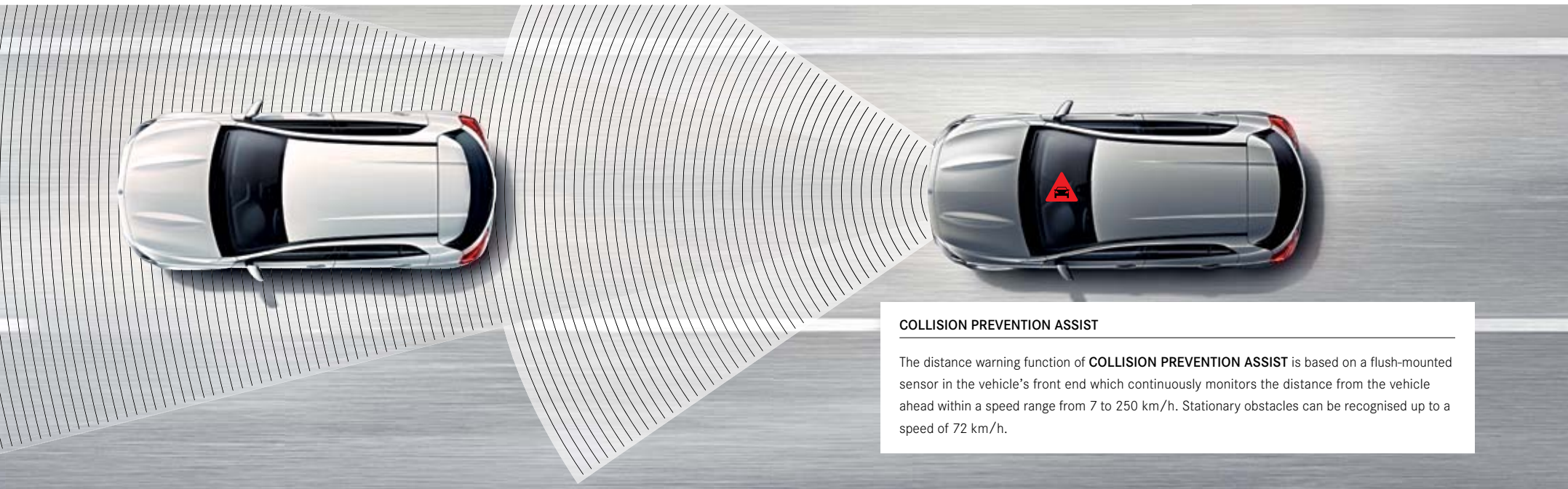
The new GLA even leads the way when it comes to trailing the vehicle ahead.

However alert you may be at the wheel, a quick distraction may be all it takes to cause a rear-end collision. Such collisions account for around one quarter of all accidents involving injuries in Germany. **Mercedes-Benz Intelligent Drive** aims to reduce this figure substantially in future. Intelligent Drive is a fundamental conviction driven by innovation and a due sense of responsibility. But what does it mean in concrete terms?

The new GLA is equipped with so-called **COLLISION PREVENTION ASSIST** as standard. This system provides the driver with a visual warning when the distance from the vehicle ahead is inadequate. An acoustic warning additionally sounds when the gap continues to close. Even more reassuringly, when the driver brakes, Adaptive Brake Assist is able to build up precisely the brake power which is required to prevent a collision. This is also intended to prevent vehicles behind colliding with the vehicle as a result of excessively heavy braking. Beyond this, as part of the optional **DISTRONIC PLUS** adaptive cruise control system, **COLLISION PREVENTION ASSIST PLUS** is able to carry out autonomous partial braking if the driver fails to respond to the imminent danger of a rear-end collision, so as to avoid a collision or at least lessen its consequences.

↘ FIND OUT MORE

COLLISION PREVENTION ASSIST is part of an all-embracing concept: **Mercedes-Benz Intelligent Drive** – our generic term for intelligent technologies which actively support the driver and help to take the strain out of driving. Find out more: on your computer or tablet at www.mercedes-benz-intelligent-drive.com



COLLISION PREVENTION ASSIST

The distance warning function of **COLLISION PREVENTION ASSIST** is based on a flush-mounted sensor in the vehicle's front end which continuously monitors the distance from the vehicle ahead within a speed range from 7 to 250 km/h. Stationary obstacles can be recognised up to a speed of 72 km/h.

We are driven by our vision of accident-free driving.

We are the first automobile manufacturer worldwide to have developed an **integral safety concept** aimed at avoiding accidents, ensuring ideal responses to dangers and lessening the consequences of accidents. For the occupants of a Mercedes and for all other road users, too.

SAFE DRIVING

The **ATTENTION ASSIST drowsiness detection system** serves to enhance driving safety in particular on long trips and during night-time driving. It monitors the steering behaviour of the driver to recognise typical signs of drowsiness and severe loss of attention, and gives a visual and audible warning of impending microsleep.

The **ADAPTIVE BRAKE control system** improves braking performance through intelligent intervention: in wet conditions, the brake discs are kept dry. The brake pads are applied automatically when the driver's foot is removed abruptly from the accelerator pedal. And on uphill slopes, the system is able to prevent the vehicle from rolling backwards.

The optional **DISTRONIC PLUS adaptive cruise control system** helps to maintain a safe distance from the vehicle ahead above all in stop-and-go traffic. The system is able to brake the vehicle automatically and subsequently accelerate again as appropriate to the traffic situation. When a danger of a rear-end collision arises, **COLLISION PREVENTION ASSIST PLUS** – part of DISTRONIC PLUS –

is able to initiate partial braking in order to avoid a collision or to lessen the consequences.

Optional **Blind Spot Assist** employs radar sensors to sound out one of the most serious sources of danger in road traffic. When a vehicle is detected in the blind spot, a red triangle lights up in the exterior mirror. An acoustic warning additionally sounds as necessary. The system is active at speeds between 30 and 250 km/h. Optional **Lane Keeping Assist** is able to recognise when the vehicle is unintentionally drifting out of its lane at speeds between 60 and 200 km/h, duly warning the driver by means of pulsed vibrations on the steering wheel. Blind Spot Assist and Lane Keeping Assist also form part of the optional **Lane Tracking package**.

IN THE EVENT OF DANGER

The optional **PRE-SAFE® occupant protection system** is able to identify critical driving situations in advance and to initiate precautionary measures to protect the vehicle's occupants when an imminent danger of an accident applies. Such measures include reversible

belt tensioning or automatic closing of open side windows, for example.

IN AN ACCIDENT

A comprehensive protection system is able to reduce the risk of injury substantially. This system includes the **active bonnet**, which is raised automatically by a couple of centimetres in a collision, helping to protect pedestrians or cyclists. The occupants inside the vehicle are provided with extensive protection by up to **nine airbags** (including two optional sidebags in the rear).

AFTER AN ACCIDENT

Every Mercedes-Benz is perfectly trained in first aid. In the event of an accident, the engine can be shut down automatically and the central locking system can be unlocked, in addition to which the hazard warning lights and the interior emergency illumination can be activated. Finally, the **Mercedes-Benz emergency call system** which is integrated in optional COMAND Online is able to transmit GPS position data and important information on the vehicle – though this will hopefully never be necessary.



The internet has changed our lives. Now it is changing the world of driving, too.

Navigation, telephone, audio, video, internet – with the optional **COMAND Online** multimedia system, drivers have a whole host of functions at their fingertips. Information is presented in high resolution and in colour on the 17.8 cm CENTRAL MEDIA DISPLAY. Operation is simple and intuitive. Fast hard-disc navigation with high-quality topographic map display guides you smoothly to your destination.

In combination with an appropriate mobile phone, it is possible to call up internet sites when the vehicle is stationary and to use Mercedes-Benz apps such as POI search, weather or internet radio while on the move. A DVD player, radio, 10 GB of memory for audio files and interfaces for connecting internal devices provide for entertainment tailored to your individual wishes. Other highlights of COMAND Online are the LINGUATRONIC voice control system, a Bluetooth® interface with hands-free function and music transfer via audio streaming.

¹ Launch planned for 3rd quarter of 2014.

ADDITIONAL INFOTAINMENT OPTIONS FOR YOUR GLA

Drive Kit Plus¹ (see illustration) enables perfect integration of the iPhone® 5 into the vehicle's operating and display system. The driver uses the controller in the centre console to control all the key functions, which are shown on the CENTRAL MEDIA DISPLAY in revolutionary graphic design.

The compact **Becker® MAP PILOT** navigation module transforms Audio 20 CD into a fully fledged, intuitively operated navigation system.

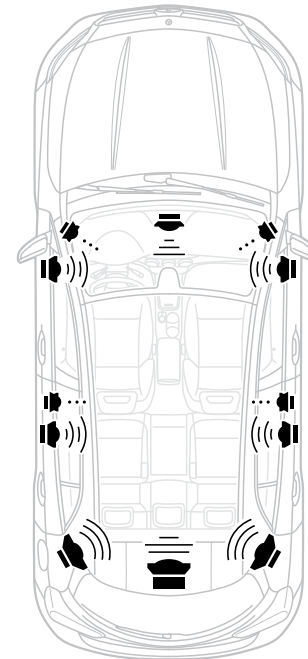
The **Audio 20 CD** multimedia system enables link-up to mobile devices via Bluetooth®. It features a radio, dual tuner, CD drive, telephone keypad and the 14.7 cm CENTRAL MEDIA DISPLAY.



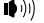


↳ Information from the Digital Owner's Manual can be called up directly in the vehicle and viewed on the central display. At www.mercedes-benz.de/betriebsanleitung you can discover the new GLA-Class in interactive mode. Also as an app for smartphones or tablets.



Been to a concert lately?

With twelve loudspeakers, including a bass speaker, and a 9-channel DSP amplifier the optional 450 W Harman Kardon® Logic 7® surround sound system offers a perfect audio experience – in stereo, and in conjunction with COMAND Online also in DTS and Dolby Digital 5.1 format. This set-up transforms the interior of the new GLA into a small concert hall.



-  Centerfill speaker
-  Tweeter
-  Low-/mid-range speaker
-  Mid-range speaker
-  Bass speaker

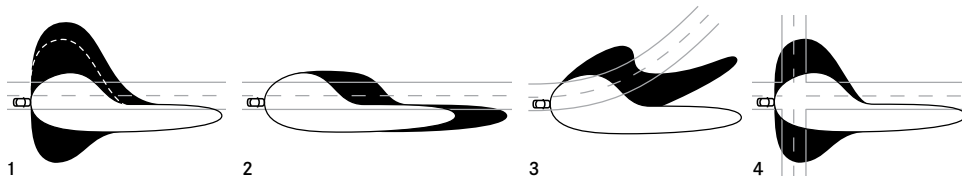
The Logic 7® multi-channel technology provides for an authentic surround sound. Designed to deliver a 360-degree audio experience in every seat.

Bright prospects. Leading lights.

Picture an unlit country road, a clear motorway. A virtually blind bend or thick fog. As you see, every driving situation looks different. To ensure the best possible visibility at all times, the new GLA is optionally available with Intelligent Light. The **Intelligent Light System** with adaptive bi-xenon headlamps adapts automatically to the prevailing driving conditions. See better, look sharper: in addition to the safety aspect, the characteristic light design provides for a distinctive, cutting-edge front and rear design, day and night. The specially designed tail lamps feature fibre optic technology, while indicators, brake light and rear fog lamp are all LED units.

INTELLIGENT LIGHT SYSTEM

The **Intelligent Light System in detail**: **1** | On country roads the edge of the carriageway on the side opposite the vehicle is illuminated substantially more effectively, particularly when the fog lamps are on. **2** | On motorways, visibility is increased by up to 60 percent. **3** | The active light function enhances safety in bends **4** | and the cornering light function improves illumination by means of additional light on the side facing into the turn. The enhanced fog light function reduces back-glare resulting from light reflected by the fog. **Adaptive Highbeam Assist** is also optionally available: this function ensures the optimum beam range for the headlamps at all times, without dazzling oncoming traffic.



The optional **Light and Sight package** provides the interior with a classier feel and optimum visibility. It includes function illumination, which enhances comfort and safety, and ambient lighting, which lends the interior even more atmosphere.



Looking ahead. And keeping an eye on the rear.

Reversing and manoeuvring are not the most pleasant situations for a driver. But what used to be rather tricky operations can now be performed with ease. The optional **reversing camera** (available in conjunction with 7G-DCT dual clutch transmission) is switched on automatically when the driver selects reverse gear, and shows the driver the area behind the vehicle on the CENTRAL MEDIA DISPLAY. Dynamic guide lines provide clear orientation for manoeuvring. And when reversing, for example from a house drive or parking space, the driver can switch to a wide-angle view of 180 degrees so as to recognise approaching pedestrians or vehicles sooner. After use, the camera folds in again automatically, ensuring optimum protection from soiling.

MAKE THINGS EASY FOR YOURSELF

The optionally available **Active Parking Assist** function facilitates manoeuvring into and out of parallel and end-on parking spaces. The system automatically steers the vehicle into parking spaces, taking the steering and braking work off the driver.

Traffic Sign Assist (part of the optional COMAND Online system) employs a camera to identify speed limits and no-overtaking signs, which it subsequently displays to the driver.

- ↳ Find out more about **Mercedes-Benz Intelligent Drive**. Our generic term for intelligent technologies which actively support the driver and take the strain out of driving. On your computer or tablet PC at <http://techcenter.mercedes-benz.com>



The panoramic sliding sunroof.

Light and airy does it: with its large glazed surfaces, the optional panoramic sliding sunroof conjures up a particularly bright and inviting atmosphere. The rear part consists of a fixed panoramic glass roof while the front part is an electric glass sliding sunroof. Two electric sunblinds provide shade from strong sunlight. In the raised position, the glass roof automatically adjusts to three tilt positions to suit the current vehicle speed. The glass roof is lowered at high speeds, reducing the noise level and air circulation in the interior. Conversely, it raises itself again at low speeds.



ADDITIONAL FEATURES FOR A PERFECT CLIMATE

Before a journey, the vehicle interior can be heated or ventilated by the optional **auxiliary heater** – either by timer or with the remote control. In winter this eliminates the time-consuming task of scraping ice from the windows.

The optional **THERMOTRONIC** automatic climate control system with two zones provides an individual feel-good climate on board. Driver and front passenger are able to control the temperature independently of one another. The climate is maintained at the desired level automatically with the aid of sensors.

The Load compartment package.

Net pockets on the left and right and a folding box are optionally available to keep things tidy in the load compartment. The backrests of the rear bench seat can be positioned at a 15° steeper angle – the so-called cargo position. In this way, the load compartment capacity can be increased by 60 litres, from 421 to 481 litres. The rear bench seat remains usable for passengers when the backrests are in this more upright position. It is also possible to install baby seats facing away from the direction of travel. A 12 V socket in the load compartment rounds off this practical package. In conjunction with comfort seats and manual adjustment of the front passenger seat, the backrest of the front passenger seat can additionally be folded forward to enable the transportation of long objects.

ADDITIONAL FEATURES FOR SAFE AND CONVENIENT LOADING

For convenient loading and unloading, the optional **EASY-PACK luggage compartment door** opens and closes electromechanically at the simple push of a button.

Keeping everything neat and tidy: the optional **Stowage Space package** comprises a spectacles compartment in the overhead control panel, stowage compartments under the front seats (stowage compartment under the driver's seat is omitted when optional fire extinguisher is specified), luggage nets on the rears of the front seats and a luggage net in the front passenger footwell.

In order to enlarge the luggage compartment, the **backrests** of the rear seats can be folded forward either together or separately.







GLA 45 AMG 4MATIC. High-performance sport.

As you see: AMG design through and through. Down to the finest detail. Suggesting impressive power, endless traction, incredible deceleration. Rest assured – you can believe your eyes.

HIGHLIGHTS – EXTERIOR

AMG bodystyling and AMG radiator grille with twin fin in matt titanium grey and “AMG” lettering

AMG sports exhaust system with two chromed tailpipe trims in twin tailpipe design

AMG 5-twin-spoke light-alloy wheels with 235/45 R 19 tyres

HIGHLIGHTS – INTERIOR

Sports seats in ARTICO man-made leather/DINAMICA microfibre with red contrasting topstitching and designo seat belts in red

3-spoke multifunction sports steering wheel in leather, with flattened lower section and shift paddles

AMG instrument cluster with AMG main menu and AMG start-up screen

AMG DRIVE UNIT

GLA 45 AMG 4MATIC technology.

The outstanding performance and efficiency of the GLA 45 AMG 4MATIC are the result of extensive development work. The innovative AMG 2.0-litre 4-cylinder turbo engine produces 265 kW (360 hp) from a capacity of only 2 litres. This corresponds to an excellent output of 133 kW (181 hp) per litre of engine capacity. The high-performance engine generating 450 Nm of torque accelerates the vehicle from 0 to 100 km/h in 4.8 seconds. And this level of performance is accompanied by benchmark-setting fuel consumption, with the new GLA 45 AMG 4MATIC running on only 7.5 l per 100 km in combined mode – courtesy of the ECO start/stop function, for example.

The high-performance engine is fully hand-crafted according to the traditional AMG philosophy “one man, one engine” – as indicated by the AMG engine plate bearing the signature of the responsible AMG technician.

The **AMG SPEEDSHIFT DCT 7-speed sports transmission** features three transmission modes as well as an automatic double declutching function and Racestart.

The **3-stage Electronic Stability Programme (ESP®)** serves to alter the characteristics of the all-wheel drive system from sporty with an emphasis on safety to maximum performance on cordoned-off race tracks.

The **AMG high-performance braking system** enables outstanding deceleration characteristics thanks to large, internally ventilated and perforated brake discs.

The combination of electromechanical **AMG speed-sensitive sports steering**, **AMG sports suspension**, **AMG axles** and performance-oriented **4MATIC all-wheel drive** results in tangibly more precise and agile handling.





AMG Performance Studio.

At the AMG Performance Studio you will find a diverse range of optional extras to lend the GLA 45 AMG 4MATIC even more AMG spirit. One highlight is the AMG Performance suspension: the springs and damping are approx. 20 percent stiffer, further enhancing the vehicle's lateral dynamics. To complement this special suspension, we recommend AMG Performance seats for the driver and front passenger, featuring more pronounced contouring for enhanced lateral support and integrated head restraints.



AMG Aerodynamics package

AMG Exterior Carbon-Fibre package

AMG Night package

AMG carbon-fibre exterior mirrors

AMG Performance suspension with approx. 20 percent stiffer set-up

AMG Performance exhaust system featuring even more striking engine sound

AMG Performance steering wheel in black nappa leather/Alcantara®

AMG Performance seats

AMG 10-spoke light-alloy wheels, painted in matt black with high-sheen rim flange, tyre size 235/40 R 20

AMG 10-spoke light-alloy wheels, painted in titanium grey with a high-sheen finish, tyre size 235/40 R 20

AMG carbon-fibre trim

Brake callipers in red painted finish



Standard equipment.

You can configure the new GLA according to your own individual wishes, right down to the finest details. Countless equipment options are available to this end. Or you can simply make the most of the comprehensive range of standard equipment on offer.

📄 FIND OUT MORE

As attractive as this overview may be, it only provides an initial impression. For the complete range of standard equipment please refer to the price list, which is also available for viewing online.

HIGHLIGHTS – EXTERIOR

Steel wheels with 10-hole trims, fitted with 215/60 R 17 tyres

2-fin radiator grille, painted in silver

Green tinted windows all round

Comfort suspension

Speed-sensitive power steering

Simulated underguard at front and rear in silver

Door sill panels with “Mercedes-Benz” lettering

HIGHLIGHTS – INTERIOR

Comfort seats in front upholstered in Coari fabric and featuring topstitching

3-spoke multifunction steering wheel with 12 buttons and bezel in silver chrome

Roof lining in grey

Instrument cluster with colour multifunction display

Air conditioning

Audio 20 CD radio with CENTRAL MEDIA DISPLAY, USB interface in the centre armrest and Bluetooth®







Reassuringly stylish: the Style equipment line.

Whether you are cruising the boulevards or exploring the countryside, these perfectly matched stylish design and comfort features exude self-assurance and individuality.

HIGHLIGHTS - EXTERIOR

- 5-twin-spoke light-alloy wheels with 215/60 R 17 tyres
- 2-fin radiator grille, painted in silver, with chrome insert
- Shoulderline trim strip in chrome
- Load sill guard in chrome
- Aluminium roof rails in high-gloss black
- Simulated underguard at front and rear in silver

HIGHLIGHTS - INTERIOR

- Comfort seats upholstered in ARTICO man-made leather/Dourados fabric with striking moccasin stitching
- Seat Comfort package
- Carbon structure trim (H74)
- 3-spoke multifunction steering wheel and shift lever in nappa leather
- 2-tube instrument cluster, silver-coloured backplate and red needles



Inspiringly progressive: the Urban equipment line.

Take in the sights in your urbane Mercedes. Everywhere you look, there are fresh new design features awaiting discovery, while the interior offers a highly individual style.

HIGHLIGHTS – EXTERIOR

5-twin-spoke light-alloy wheels with 235/50 R 18 tyres

2-fin radiator grille, painted in silver, with chrome insert

Twin-pipe exhaust system with integrated tailpipe trim, chromed

Shoulderline trim strip and load sill guard in chrome

Aluminium roof rails

Simulated underguard at front and rear in dark chrome

HIGHLIGHTS – INTERIOR

Sports seats upholstered in ARTICO man-made leather/Corumba fabric with contrasting topstitching

Seat Comfort package

Wave-look trim in silver (H50) or anthracite (H51)¹

3-spoke multifunction steering wheel in leather with contrasting topstitching, perforated in the grip area

2-tube instrument cluster, silver-coloured backplate and red needles

¹ H50 as part of the Urban equipment line, H51 alternatively available as no-cost option.







Spellbindingly dynamic: the AMG Line.

Give the GLA a sportier character in terms of looks, the feeling behind the wheel and overall exclusiveness. The AMG Line features comprehensive AMG bodystyling, measures to enhance driving dynamics and sporty highlights outside and inside.

¹ Comfort suspension without lowering and sports Direct-Steer system (optionally available at no extra charge).

HIGHLIGHTS – EXTERIOR

AMG bodystyling with inserts in front splitter and side sill panels and rear apron trim in matt titanium grey

AMG 5-spoke light-alloy wheels, tyre size 235/50 R 18, painted in titanium grey with a high-sheen finish

2-fin radiator grille, painted in silver, with chrome insert

Dynamic Handling package, with suspension lowered by 15 mm and sports Direct-Steer system¹

Perforated front brake discs, front callipers with “Mercedes-Benz” lettering
Twin-pipe exhaust system with integrated tailpipe trim, chromed

HIGHLIGHTS – INTERIOR

Sports seats upholstered in ARTICO man-made leather/DINAMICA microfibre with red contrasting topstitching

Seat Comfort package

Light aluminium trim with longitudinal grain (H79)

3-spoke multifunction sports steering wheel in leather, flattened lower section, with perforations in grip area and contrasting topstitching in red

Roof lining in black

2-tube instrument cluster, silver-coloured backplate and red needles



Exclusive package.

A stylishly matched combination of high-quality interior features. For that extra special touch of comfort, quality and design.

OVERVIEW OF FEATURES

Sports seats in front, heated and with 4-way lumbar support; optionally upholstered in leather in black, crystal grey or nut brown, with contrasting topstitching and perforated pads

Seat Comfort package

Trim in satin-finish light brown poplar wood (H19) or high-gloss burr walnut wood (H14)

3-spoke multifunction steering wheel in leather with contrasting topstitching, perforated in the grip area

Shift lever in leather with silver chrome trim

Dashboard in ARTICO man-made leather with contrasting topstitching

2-tube instrument cluster, silver-coloured backplate and red needles

Door centre panels in ARTICO man-made leather with contrasting topstitching

Door armrests with silver chrome trim and contrasting topstitching

Roof lining in black fabric (optional roof lining in grey fabric)¹

Brushed stainless-steel sports pedals with rubber studs
(in conjunction with AMG Line)

Cord floor mats with piping in the appointments colour

Convenience locking system with summer opening/closing via infrared receiver for side windows and optional panoramic sliding sunroof

¹ Roof lining in grey fabric only available in conjunction with upholstery in black leather or crystal grey leather.

Night package.

The Night package boasts select exterior design features in high-gloss black to lend the vehicle a strikingly sporty character.

OVERVIEW OF FEATURES

Two-fin radiator grille in high-gloss black with chrome insert

Exterior mirrors painted black

Dark-tinted heat-insulating glass from B-pillar

Aluminium roof rails in high-gloss black

Waistline trim strip in high-gloss black

Additional features in conjunction with Urban line:

Front and rear bumpers with simulated underguard in high-gloss black and 5-twin-spoke light-alloy wheels painted in black with a high-sheen finish, fitted with 235/50 R 18 tyres

Additional features in conjunction with AMG Line:

AMG bodystyling with inserts in front splitter and side sill panels, rear apron trim in high-gloss black and 5-spoke light-alloy wheels painted in black and fitted with 235/45 R 19 tyres



AMG Exclusive package.

Based on the AMG Line, this combination of high-quality appointments for the interior offers the ultimate in exclusivity, individuality and sportiness. As exemplified by the upholstery in black RED CUT leather with red contrasting topstitching.

Heated front sports seats featuring black leather RED CUT upholstery with contrasting red topstitching and 4-way lumbar support

Seat Comfort package

Light aluminium trim with longitudinal grain (H79)

3-spoke multifunction sports steering wheel in leather, flattened lower section, with contrasting topstitching in red and perforations in the grip area

Gearshift lever in leather with contrasting topstitching in red and perforations

Dashboard in ARTICO man-made leather with red contrasting topstitching

2-tube instrument cluster, silver-coloured backplate and red needles

Door centre panels in ARTICO man-made leather with red contrasting topstitching

Door armrests with silver chrome trim and red contrasting topstitching

Roof lining in black

Brushed stainless-steel sports pedals with rubber studs

Cord floor mats with black edging and topstitching in red

Convenience locking system with summer opening/closing via infrared receiver for side windows and optional panoramic sliding sunroof



Genuine accessories.

The new GLA fulfils just about every wish. And for those extra special needs there are genuine accessories. These cover almost every conceivable need for more pleasant, practical and individual motoring. The diverse range of items all correspond to a common standard: every accessory has been developed specifically for the new GLA in accordance with Mercedes-Benz's high quality benchmarks. Discover the complete range online at www.mercedes-benz-accessories.com

1 The flat **boot tub** in impact-resistant polyethylene with non-slip effect. Food-safe. With rib structure to fix the separately available stowage box in place.

2 The **New Alustyle "Comfort" ski and snowboard rack** for up to six pairs of skis or four snowboards, lockable. A handy pull-out function facilitates loading and unloading.

3 The Mercedes-Benz **roof box 400** with a capacity of approx. 400 litres. With handle on both sides to facilitate opening and closing. Available in matt silver and black. Maximum load: 75 kg.

4 The convenient, lockable **rear-mounted cycle rack** for the safe transportation of two or three bicycles. Extremely simple to fit to the trailer coupling. Securing your bikes on the carriers is equally simple. Maximum load up to 30 kg per bicycle rail. Therefore suitable for most e-bikes. A smart rolling mechanism ensures that the tailgate can still be opened. The racks can be conveniently folded together for space-saving storage in the luggage compartment, at holiday accommodation or at home.



Optional equipment.

There are countless ways of making the new GLA your very own. From small details that add special touches to comfort features which until recently were the reserve of the luxury segment. Take your time to browse around – in this catalogue, by reference to the price list or online. You can configure the new GLA according to your very own wishes at www.mercedes-benz.de.



1 The compact **Becker® MAP PILOT** navigation module transforms Audio 20 CD into a fully fledged, intuitively operated navigation system. It is connected discreetly via a socket in the glove compartment and can be removed at any time.

2 The **THERMOTRONIC automatic climate control** system with two zones provides an individual feel-good climate on board. Driver and front passenger are able to control the temperature independently of one another. The climate is maintained at the desired level automatically with the aid of sensors.

3 Continuous electric adjustment of the front seats passenger seats is optionally available. The **Memory function** is able to save three individual settings for the seat positions which can be called up at any time.

4 The **Light and Sight package** provides the interior with a classier feel and optimum visibility. It comprises function illumination, which enhances comfort and safety, and the ambient lighting, which lends the interior even more atmosphere. The electronically controlled rain sensor provides for more relaxed driving in rain and automatically ensures the appropriate wiping frequency for the prevailing rainfall when intermittent wiping mode is active.





5

6



7

5 The **roof rails** in aluminium or the aluminium roof rails in high-gloss black finish are each harmoniously integrated into the vehicle's design and serve as a base for various roof racks and roof luggage carriers.

6 For convenient loading and unloading, the **EASY-PACK luggage compartment door** opens and closes electromechanically at the simple push of a button. To prevent the door from bumping against any objects, it can be stopped in any position and its opening angle can be restricted.

7 In conjunction with the options bi-xenon headlamps or **Intelligent Light System**, the standard-fit tail lamps featuring fibre optics (apart from the reversing light) are complemented by LED turn signal lamps, brake lights and rear fog lamp.



58

R00



08R



01R



R39



R48



R31



R38



77R

Wheels.

Wheels are indispensable on technical grounds, of course. But on an emotional level, too, perfect wheels are an absolutely crucial ingredient of many people's dream car. With this in mind, we have put together a particularly large and diverse selection for you.

STANDARD AND SPECIAL EQUIPMENT

R00 Steel wheel with 10-hole trim, fitted with 215/60 R 17 tyres (standard)

R48 5-twin-spoke light-alloy wheel fitted with 215/60 R 17 tyres (option, included in Style line)

08R Multi-spoke light-alloy wheel fitted with 215/60 R 17 tyres (option)

R31 5-twin-spoke light-alloy wheel fitted with 235/50 R 18 tyres (option, included in Urban line)

01R 5-twin-spoke light-alloy wheel, painted in black and with high-sheen finish, fitted with 235/50 R 18 tyres (option, forms part of the Night package in conjunction with the Urban line)

R38 5-twin-spoke light-alloy wheel fitted with 235/50 R 18 tyres (option)

R39 5-spoke light-alloy wheel, bicolour, painted in tremolite grey with a high-sheen finish, fitted with 235/45 R 19 tyres (option)



65R



635



664



59

758



633



655



754



778

GENUINE ACCESSORIES

77R 5-twin-spoke light-alloy wheel¹, tyre size 235/45 R 19 (also available as an option ex factory)

65R 5-twin-spoke light-alloy wheel¹, painted in black with a high-shine finish, tyre size 235/45 R 19 (also available as an option ex factory)

AMG

633 AMG 5-spoke light-alloy wheel, painted in titanium grey with a high-shine finish, tyre size 235/50 R 18 (included in AMG Line)

635 AMG 5-spoke light-alloy wheel, painted in titanium grey with a high-shine finish, tyre size 235/45 R 19 (option)

655 5-spoke light-alloy wheel, painted in black and with high-shine finish, tyre size 235/45 R 19 (option, forms part of the Night package in conjunction with the Urban line)

664 AMG 5-spoke light-alloy wheel, painted in black with a high-shine rim flange, tyre size 235/45 R 19 (option)

754 AMG 5-twin-spoke light-alloy wheel, painted in titanium grey with a high-shine finish, tyre size 235/45 R 19 (standard for GLA 45 AMG 4MATIC)

758 AMG 10-spoke light-alloy wheel, painted in titanium grey with a high-shine finish, tyre size 235/40 R 20 (option for GLA 45 AMG 4MATIC)

778 AMG 10-spoke light-alloy wheel, painted in matt black a high-shine rim flange, tyre size 235/40 R 20 (option for GLA 45 AMG 4MATIC)

¹ Genuine accessory wheels are supplied without tyres.



More than simply a star. A whole universe.

The range of **services from Mercedes-Benz**. Every Mercedes brings with it as a standard feature a reassuring feeling of safety on the road. But if you ever do need help, we're here for you around the clock. You can reach us from anywhere in Europe on the toll-free number 00800 1 777 7777¹ (or alternatively direct through Mercedes-Benz Contact²).

Ensuring that you can keep moving in the event of a technical breakdown, accident, vandalism or even misfuelling, the **Mercedes-Benz mobility package Mobilo**³ is included as part of the standard specification. It covers the cost of local assistance, for example for towing your car away or for a replacement vehicle – and will do so in more than 40 countries across Europe for up to 30 years³. Furthermore, for the first four years following initial registration of the vehicle, Mobilo offers special mobility services in the case of workshop visits involving warranty or goodwill situations.

Avoid unexpected workshop costs⁴: a **Mercedes-Benz Service Contract** covers unforeseeable repairs, maintenance or wear parts, depending on the specific contract. Your local Mercedes-Benz dealer will be pleased to provide information about available Service Contracts and terms and conditions.

Mercedes-Benz Financial Services. Drive a Mercedes-Benz and remain flexible when it comes to payment: our attractive leasing and finance products make this possible – matched to your requirements and needs. We will also be happy to offer you a range of detailed insurance proposals. Just speak to your Mercedes-Benz dealer, who will be happy to provide information about our current range of financial services, terms and conditions.

¹ Alternatively: +49 69 95 30 72 77. Calls to a landline are chargeable. ² Calls from a mobile phone to a landline are chargeable. ³ When it expires, (four years after initial registration) Mobilo can be extended to up to 30 years from one service to the next by your authorised Mercedes-Benz service partner. ⁴ Mercedes-Benz service contract terms and conditions apply.

Enjoy the digital experience of Mercedes-Benz – wherever you happen to be. Thanks to a range of offers optimised for smartphones and tablet computers, you can immerse yourself in the world of Mercedes-Benz even while on the move.

Insights into the full product range, a varied programme of entertainment and direct contact to a wide variety of services await you. Take an interactive tour with the **Interactive Owner's Manual**, for example, to get to know your dream car better. Experience the various functions in detail, take a close-up look at what's going on inside or explore the benefits of the particular model on your national Mercedes-Benz website.

With the **"Mercedes-Benz Guides"** app you can also explore the highlights of the various vehicles off-line. The app is available free of charge from the Apple® iTunes® Store (iOS) or the Google Play Store (Android).

Incidentally, our TV and magazine media are also available to watch and read digitally. Explore the whole brand world for yourself at **www.mercedes-benz.com**. Just click to take a look.

The fascination of Mercedes-Benz. A car whose name brings a gleam to the eyes of people all over the world, one that has featured in many a movie and been sung about in international hits, is surely far more than just a car. How did it come to this?

Discover just what has been moving the world for more than 125 years and take a fascinating journey through time as well as through the history of the automobile, in the **Mercedes-Benz Museum**. More than 1,500 exhibits over a display area of 16,500 square metres demonstrate the unique heritage and innovative power of the inventor of the automobile, among them one-off models such as the oldest Mercedes still in existence, built in 1902, or the legendary "Gullwing" cars. Welcome to a place of innovation: www.mercedes-benz-classic.com/museum

What would the history of Mercedes-Benz be like without **motorsport**? What would motorsport be without Mercedes-Benz? The first vehicle ever to win an automobile race was powered by a Daimler engine. The first Mercedes was a racing car. The Silver Arrows – a true legend. Out of this glorious past has grown an exciting present: the MERCEDES AMG PETRONAS Formula 1 team and the DTM Mercedes AMG C-Coupés fight it out weekend after weekend for points and victory.



Technical data.

No. of cylinders/arrangement
Total displacement in cc
Rated output ¹ in kW (hp) at rpm
Rated torque ¹ in Nm at rpm
Transmission
Acceleration from 0 to 100 km/h in s [automatic transmission]
Top speed, approx. in km/h [automatic transmission]
Tyre size, front
Tyre size, rear
Fuel
Fuel consumption ² in l/100 km
Urban [automatic transmission]
Extra-urban [automatic transmission]
Combined [automatic transmission]
CO ₂ emissions ² in g/km, combined [automatic transmission]
Emission class ³ /efficiency class ⁴
Tank capacity, of which reserve, approx. in l
Luggage compartment capacity ⁵
Turning circle diameter in m
Kerb weight ⁶ in kg [automatic transmission]
Permissible gross vehicle weight in kg [automatic transmission]

DIESEL ENGINES

GLA 200 CDI	GLA 200 CDI 4MATIC	GLA 220 CDI	GLA 220 CDI 4MATIC
4/in-line	4/in-line	4/in-line	4/in-line
2143	2143	2143	2143
100 (136)/3400-4000	100 (136)/3400-4000	125 (170)/3400-4000	125 (170)/3400-4000
300/1400-3000	300/1400-3000	350/1400-3400	350/1400-3400
6-speed manual [7G-DCT]	- [7G-DCT]	- [7G-DCT]	- [7G-DCT]
10.0 [9.9]	- [9.9]	- [8.3]	- [8.3]
205 [205]	- [200]	- [215]	- [215]
215/60 R 17	215/60 R 17	215/60 R 17	215/60 R 17
215/60 R 17	215/60 R 17	215/60 R 17	215/60 R 17
Diesel fuel	Diesel fuel	Diesel fuel	Diesel fuel
5.5-5.4 [5.3-5.2]	- [6.0-5.9]	- [5.4-5.3]	- [6.0-5.9]
3.9-3.7 [4.1-3.9]	- [4.5-4.4]	- [4.0-3.9]	- [4.5-4.4]
4.5-4.3 [4.5-4.4]	- [5.1-4.9]	- [4.6-4.4]	- [5.1-4.9]
119-114 [119-114]	- [132-129]	- [119-115]	- [132-129]
Euro 6/A	Euro 6/A	Euro 6/A	Euro 6/A
50/6.0	56/6.0	50/6.0	56/6.0
421/1235	421/1235	421/1235	421/1235
11.84	11.84	11.84	11.84
1505 [1535]	- [1595]	- [1535]	- [1595]
2020 [2020]	- [2075]	- [2020]	- [2075]

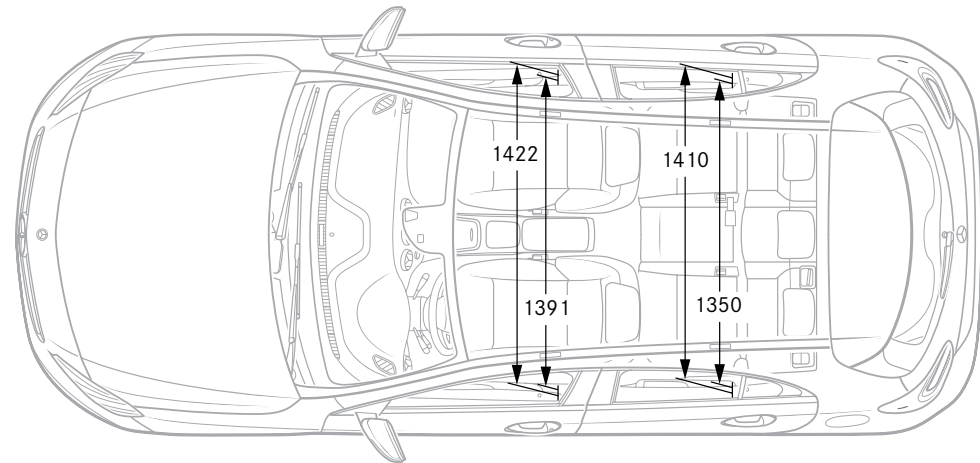
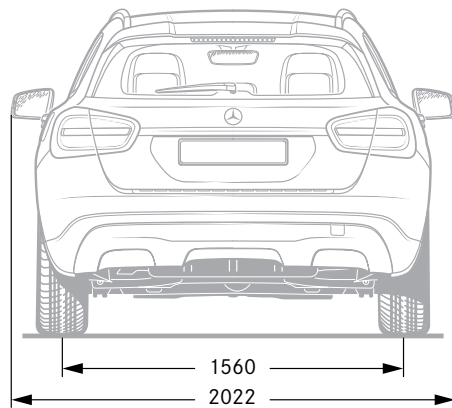
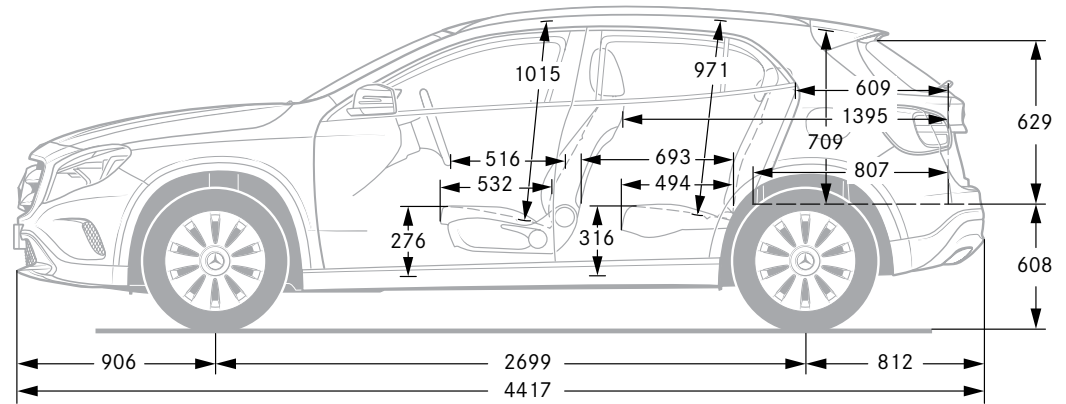
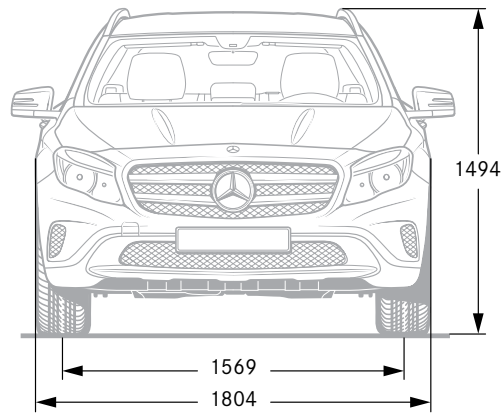
¹ Information on rated output and rated torque in accordance with Directive 80/1269/EEC in its currently valid version. ² The stated values were determined according to the prescribed measuring method (Regulation [EC] 715/2007 in its currently valid version). Note according to Directive 1999/94/EC in the currently applicable version: The information does not refer to a specific vehicle and is not part of the offer, but is exclusively for purposes of comparison between the various vehicle models. ³ Valid only within the European Union. ⁴ Determined on the basis of the measured CO₂ emissions with due consideration of the mass of the vehicle.

PETROL ENGINES

	GLA 200	GLA 250	GLA 250 4MATIC	GLA 45 AMG 4MATIC
No. of cylinders/arrangement	4/in-line	4/in-line	4/in-line	4/in-line
Total displacement in cc	1595	1991	1991	1991
Rated output ¹ in kW (hp) at rpm	115 (156)/5300	155 (211)/5500	155 (211)/5500	265 (360)/6000
Rated torque ¹ in Nm at rpm	250/1250-4000	350/1200-4000	350/1200-4000	450/2250-5000
Transmission	6-speed manual [7G-DCT]	- [7G-DCT]	- [7G-DCT]	- [AMG SPEEDSHIFT DCT 7-speed sports transmission]
Acceleration from 0 to 100 km/h in s [automatic transmission]	8.9 [8.8]	- [7.2]	- [7.1]	- [4.8]
Top speed, approx. in km/h [automatic transmission]	215 [215]	- [235]	- [230]	- [250]
Tyre size, front	215/60 R 17	215/60 R 17	215/60 R 17	235/45 R 19
Tyre size, rear	215/60 R 17	215/60 R 17	215/60 R 17	235/45 R 19
Fuel	Unleaded petrol	Unleaded petrol	Unleaded petrol	Super unleaded petrol
Fuel consumption ² in l/100 km				
Urban [automatic transmission]	7.9-7.9 [7.4-7.3]	- [8.3-8.3]	- [8.3-8.2]	- [9.9-9.9]
Extra-urban [automatic transmission]	4.8-4.7 [5.1-4.9]	- [4.8-4.7]	- [5.6-5.5]	- [6.1-6.1]
Combined [automatic transmission]	5.9-5.9 [5.9-5.8]	- [6.1-6.0]	- [6.6-6.5]	- [7.5-7.5]
CO ₂ emissions ² in g/km, combined [automatic transmission]	139-137 [138-135]	- [143-141]	- [154-151]	- [175-175]
Emission class ³ /efficiency class ⁴	Euro 6/C	Euro 6/C	Euro 6/C	Euro 6/D
Tank capacity, of which reserve, approx. in l	50/6.0	50/6.0	56/6.0	56/8.0
Luggage compartment capacity ⁵	421/1235	421/1235	421/1235	421/1235
Turning circle diameter in m	11.84	11.84	11.84	11.84
Kerb weight ⁶ in kg [automatic transmission]	1395 [1435]	- [1455]	- [1505]	- [1585]
Permissible gross vehicle weight in kg [automatic transmission]	1920 [1920]	- [1940]	- [1990]	- [2015]

⁵ Information in accordance with Directive 70/156/EEC as amended in 2000/40/EC. ⁶ Information in accordance with Directive 92/21/EC as amended in 95/48/EC (mass in roadgoing condition, fuel tank 90% full, with driver, 68 kg, and luggage, 7 kg) for vehicles with standard equipment. Optional equipment and accessories generally increase this figure and reduce the payload accordingly. Further technical data are to be found at www.mercedes-benz.de

Dimensions.



All dimensions in millimetres. The dimensions shown are mean values and apply to standard-specification, unladen vehicles.

Upholstery and trim.

Upholstery

- 021 Coari fabric in black
- 028 Coari fabric in crystal grey
- 101 ARTICO man-made leather¹ in black
- 105 ARTICO man-made leather in sahara beige
- 108 ARTICO man-made leather in¹ crystal grey
- 361 ARTICO man-made leather/Corumba fabric in black
- 368 ARTICO man-made leather/Corumba fabric in crystal grey
- 601 ARTICO man-made leather/Dourados fabric in black
- 604 ARTICO man-made leather/Dourados fabric in tundra brown
- 605 ARTICO man-made leather/Dourados fabric in sahara beige
- 651 ARTICO man-made leather/DINAMICA microfibre in black
- 801 black leather
- 804 nut brown leather
- 808 crystal grey leather
- 811 black RED CUT leather

Trim

- Carbon-fibre look
 - H14 High-gloss brown burr walnut¹
 - H19 Satin-finish light brown poplar wood¹
 - H50 Wave look in silver
 - H51 Wave look in anthracite
 - H73 AMG carbon fibre¹
 - H74 Carbon structure
 - H79 Light aluminium with longitudinal grain¹
-

¹ Optional extra.

Standard equipment



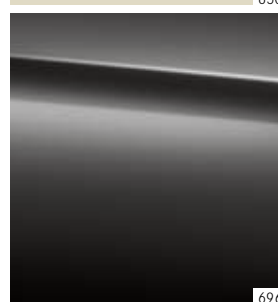
Style¹



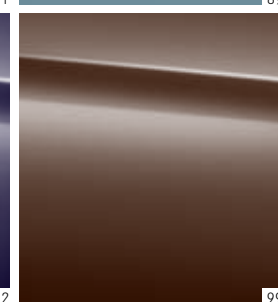
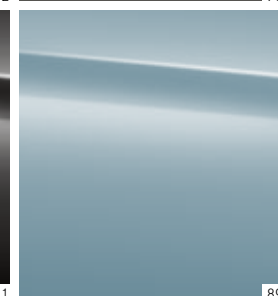
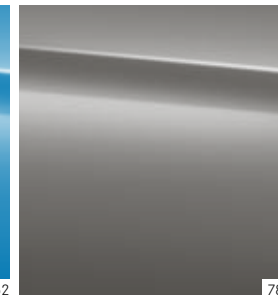
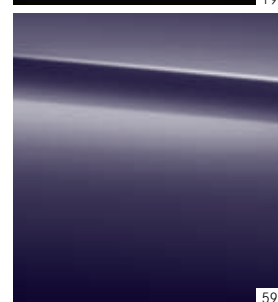
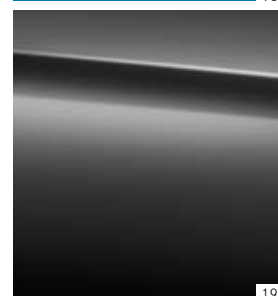


Paintwork.

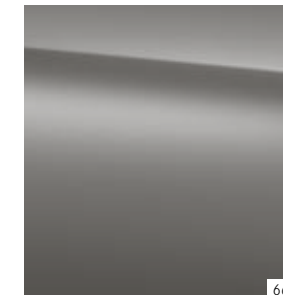
Non-metallic paints



Metallic paints¹



Special paint finish¹



Non-metallic paints

589 jupiter red

650 cirrus white

696 night black

Metallic paints¹

162 south seas blue

191 cosmos black

592 northern lights violet²

761 polar silver

787 mountain grey

894 universe blue

990 orient brown

Special paint finish¹

662 designo mountain grey magno³

¹ Option. ² Introduction planned for 2nd quarter of 2014.

³ Introduction planned for 3rd quarter of 2014.

Take-back of end-of-life vehicles. We will be pleased to take back your GLA-Class for environment-friendly disposal in accordance with the EC End-Of-Life Vehicle Directive – but that day lies a long way off.

A network of vehicle take-back depots and dismantlers is available to make returning your vehicle as easy as possible for you. You are welcome to return your vehicle to one of these establishments free of charge. In so doing, you will be making a valuable contribution towards closing the recycling cycle and preserving resources.

Further information on the recycling of end-of-life vehicles, the recovery of materials and terms and conditions relating to take-back is to be found at www.mercedes-benz.de/altfahrzeugverwertung

Regarding the information in this catalogue: changes may have been made to the product since going to press (25.10.2013). The manufacturer reserves the right during the delivery period to make changes to the design, form, colour or specification, provided these changes, while taking into account the interests of the vendor, can be deemed reasonable with respect to the purchaser. Where the vendor or the manufacturer uses symbols or numbers to describe an order or the subject of an order, no rights may be derived solely from these. The illustrations may show accessories and optional extras which are not part of the standard specification. Colours may differ slightly from those shown, owing to the limitations of the printing process. This publication may include models and services which are not available in individual countries. Information given regarding statutory regulations, legal requirements and taxation and the consequences thereof applies to the Federal Republic of Germany only and is correct at the time of going to press. Please consult your Mercedes-Benz sales representative for final details.

www.mercedes-benz.com