

HiAce

Delivering professionalism.



TOYOTA

toyota.com.au



Oh what a feeling!



Front page: Long Wheelbase model shown
This page: Commuter Bus model shown



Super Long Wheelbase model shown



Super Long Wheelbase model shown

For over thirty-five years and whatever the task, HiAce has been the trusted choice of Australians who depend upon getting the job done. By listening to what Government, fleet and private operators really want, HiAce has been continually refined and then built to meet the uncompromising demands of today's business.

Up front there are slimline headlamps and a bold radiator grille plus an integrated colour matched bumper to lead the way.

On the Commuter Bus you can choose the convenience of a power sliding door that includes the 'easy closer', which automatically shuts and secures the door even if it has been left half closed.

You'll have a great view of what's beside and behind you with twin power exterior mirrors, and the drivers behind you will clearly see your 4 LED high-mount stop light. And the 15" steel wheels all round mean you'll have your feet firmly on the ground. Plus with typical Toyota quality, durability and reliability evident throughout, you know this is a van you can stake your livelihood on.

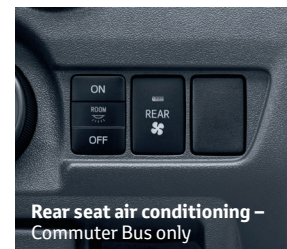
Welcoming space.



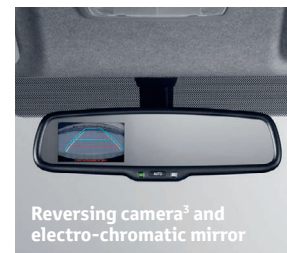
Commuter Bus model shown



4-spoke urethane steering wheel



Rear seat air conditioning –
Commuter Bus only



Reversing camera³ and
electro-chromatic mirror

The interior of HiAce has been designed and appointed to make your working day easier, especially when you're spending long hours on the road. The interior has been styled to optimise usable space and the seats designed to provide ample support, while the dark grey interior is gentle on the eye.

Front power windows are standard and when the weather takes a turn for the worse, the

heater and air conditioning will keep those in the front seats comfortable inside, and then on bright days the driver and front passenger sun visors take the sting out of the sky.

Every HiAce is equipped with a CD AM/FM Tuner Audio system with Bluetooth^{®1} connectivity, USB² input and featuring voice recognition to control many audio and phone functions. Plus you'll enjoy the convenience of

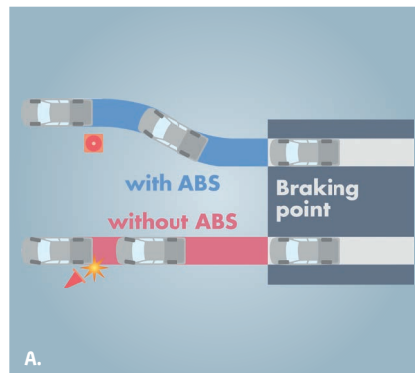
steering wheel mounted controls and a Multi Information Display (MID) to provide you with important trip and mileage data.

When backing up, the reversing camera³ helps with the image shown on a 3.3" integrated display within the electro-chromatic rear view mirror. Plus there are plenty of storage spaces including moulded pockets and retractable cup holders.

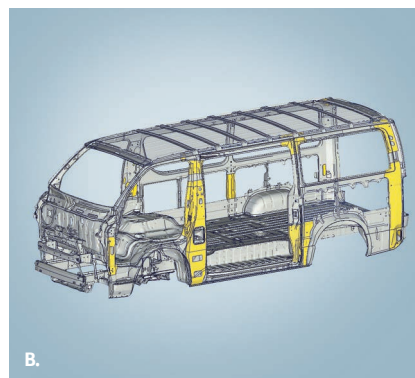
Real power and safety.



Super Long Wheelbase model shown



A.



B.

HiAce gives you the choice of two highly advanced powerplants with a 70 litre fuel tank to help keep you going all day.

The 2.7 litre petrol engine delivers peak power of 111kW at a relatively low 4,800rpm with 241Nm of load-lugging torque at 3800rpm. The 3.0 litre Turbo-diesel is purpose-built for commercial vehicles and produces 100kW at 3400rpm plus a

beefy 300Nm of torque between 1200 and 2400rpm, so it keeps pulling its weight all the way up the rev range.

You'll also enjoy safe working conditions in HiAce, where dual front SRS airbags are fitted as standard. The Brake Override System (BOS) ensures that when the brake and accelerator are pressed simultaneously, the accelerator is cancelled and only the brake applied.

Anti-lock Braking (ABS) to help prevent wheel lock-up and skidding is also fitted as standard, as is Brake Assist (BA) to help ensure the shortest and safest possible braking distance in an emergency.

A. Anti-lock Braking System (ABS)

B. High-rigidity body

LWB Van



- 70L fuel tank capacity
- 15" steel wheels
- Full size spare wheel
- Passenger side sliding door
- Front and rear mudflaps
- Front and rear intermittent wiper
- Power exterior mirrors
- Low beam Daytime Running Lamps (DRL)
- LED high mount stop lamp
- Power steering
- Air conditioning (front only)
- Remote central locking
- Driver and front passenger seat belt warning lamp
- Driver and front passenger airbags
- Anti-lock Braking System
- Reversing camera³
- Electro-chromatic mirror with 3.3" display
- Cruise control
- Multi Information Display (MID)
- Audio system with Bluetooth^{®1} and USB connectivity²

SLWB Van



- Driver's side sliding door
- Passenger's seat slide and recline

Commuter Bus



- 14 seat capacity
- Tinted rear side windows
- Cabin and two passenger interior lamps
- Rear air conditioning
- Optional automatic door close
- Roof mounted air vents
- Rear floor carpet and mat

A colourful choice.

HiAce is available in a range of colours, so you can choose the one that best suits your professional needs or personal taste.



A.



B.



C.



D.



E.

- A. French Vanilla 058
- B. Quicksilver⁴ 1E7
- C. Manilla Yellow 599
- D. Scarlet Red 3R9
- E. Cascade Blue⁴ 8P4

The perfect finish.

Make a good thing even better with this great range of Toyota Genuine Accessories for HiAce, all covered by our Toyota Warranty.

A. Cargo Barrier

Available on LWB and SLWB

B. Roof Racks – Standard Kit⁵

Available on LWB

C. Roof Racks – Full Technician Kit

Available on LWB

D. Alloy Nudge Bar and Headlamp Covers
(Sold separately)

E. Front Weathershields
(Sold separately)

F. Door Handle Protection Film

G. Headlamp Covers

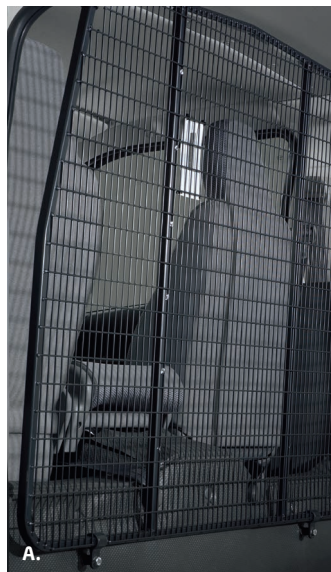
H. Towbar with Rear Step And Protector⁶

Available on LWB. Requires Towball and Trailer Wiring harness. Sold separately.

I. Park Assist³

Reverse parking sensors. Towbar with Rear Corner Protector sold separately.

J. All-weather Rubber Floor Mats



A.



B.



C.



D.



E.



F.



G.



H.



I.



J.

MECHANICAL SPECIFICATIONS		3.0L Turbo-diesel	2.7L Petrol
Engine	Max power (kW/rpm)	100/3400	111/4800
	Max torque (Nm/rpm)	300/1200-2400	241/3800
	Valve train	16-valve DOHC	16-valve DOHC with VVT-i
	Bore x Stroke (mm)	96.0 x 103.0	95.0 x 95.0
	Compression ratio	16.0:1	9.6:1
Transmission	Transmission	Manual and automatic	Manual and automatic
	Gear ratios – auto	1st 2.804; 2nd 1.531; 3rd 1.000; 4th 0.705; Reverse 2.393	1st 2.804; 2nd 1.531; 3rd 1.000; 4th 0.753; Reverse 2.393
	Gear ratios – manual	1st 4.313; 2nd 2.330; 3rd 1.436; 4th 1.000; 5th 0.838; Reverse 4.220	1st 4.313; 2nd 2.330; 3rd 1.436; 4th 1.000; 5th 0.838; Reverse 4.220
	Driveline	2WD	2WD
Fuel ⁷	Fuel type	Turbo-diesel	Petrol
	Fuel economy (L/ 100km)	8.5 (Auto)/8.0 (Man) – LWB 9.2 (Auto)/8.7 (Man) – SLWB/Commuter	11.6 (Auto/Man) – LWB 12.6 (Auto)/12.4 (Man) – SLWB/Commuter
	Fuel capacity (litres)	70	70

HIACE MODEL		LONG WHEELBASE		SUPER LONG WHEELBASE		SUPER LONG WHEELBASE COMMUTER BUS	
		Turbo-diesel	Petrol	Turbo-diesel	Petrol	Turbo-diesel	Petrol
Dimensions and Weights	Overall length (mm)	4695	4695	5380	5380	5380	5380
	Overall width (mm)	1695	1695	1880	1880	1880	1880
	Overall height (mm)	1980	1980	2285	2285	2285	2285
	Wheelbase (mm)	2570	2570	3110	3110	3110	3110
	Front track (mm)	1470	1470	1655	1655	1655	1655
	Rear track (mm)	1465	1465	1650	1650	1650	1650
	Running clearance (mm)	195	195	195	195	185	185
	Kerb weight (kg) ⁹	1835 (Auto)/1825 (Man)	1730 (Auto)/1720 (Man)	2015 (Auto)/2005 (Man)	1900 (Auto)/1890 (Man)	2205 (Auto)/2195 (Man)	2090 (Auto)/2080 (Man)
	Gross vehicle mass (kg) ¹⁰	2800	2800	3200	3200	3250	3150
Capacities	Seating capacity	2	2	2	2	14	14
	Towing capacity – with trailer brakes ⁶	1400	1400	1400	1400	1400	1400
	Towing capacity – without trailer brakes ⁵	400	400	400	400	400	400
Wheels	15" steel wheels	•	•	•	•	•	•
Exterior	Passenger side sliding door	•	•	•	•	•	•
	Halogen headlamps	•	•	•	•	•	•
	Power exterior mirrors	•	•	•	•	•	•
	Front and rear mudflaps	•	•	•	•	•	•
	Tinted front side window and tailgate door glass	•	•	•	•	•	•
Tinted rear side window					•	•	
Interior	Electro-chromatic mirror with 3.3" display	•	•	•	•	•	•
	Air conditioning – front	•	•	•	•	•	•
	Air conditioning – rear					•	•
Instruments and Controls	Intermittent windscreen wipers (front and rear)	•	•	•	•	•	•
	Cruise control	•	•	•	•	•	•
	Multi Information Display (MID)	•	•	•	•	•	•
Safety	Driver and front passenger airbags	•	•	•	•	•	•
Sound System	AM/FM radio with MP3 compatible single-disc CD player and 3.5mm AUX input for portable audio players	•	•	•	•	•	•
	USB input ² for some iPod ^{®11} /USB memory sticks	•	•	•	•	•	•
	Bluetooth ^{®1} capabilities	•	•	•	•	•	•
	2 speakers	•	•	•	•	•	•

The Toyota Advantage.

Every Toyota gives you a lifetime of advantages. That's what makes it a Toyota. You'll enjoy legendary Toyota value from the moment you drive away, and you'll continue to appreciate the quality, safety and innovation that's engineered into each model, every day you drive.



A smarter way to buy.

Toyota Access puts you in complete control when buying a new car.¹² Drive out of the Dealership with a clear road ahead then drive back a few years later with more options at your disposal than ever before. Whatever stage you're at in life, Toyota Access puts you in the driver's seat with ongoing flexibility and assurance. To discover Toyota Access for yourself visit toyota.com.au/access



Finance to get you going.

If you need a little help, Toyota Finance¹⁵ can offer you a wide range of vehicle financing. With Toyota Finance, you'll have the peace of mind of dealing with one of Australia's leading vehicle finance corporations with over 30 years experience. And with a range of flexible products and services to suit almost every need and circumstance, Toyota Finance can help find the right package for you or your business.



Capped price servicing.¹³

A new Toyota means you don't have to worry about unexpected service costs. Every Toyota comes with a low, capped price service cost for a set number of years/kilometres. Pay the same low capped price from one eligible logbook service to the next for up to three years or 60,000km, whichever occurs first (including Genuine parts, labour and fluids). For the full benefits consult a Toyota Dealer or visit toyota.com.au/advantage



Even more protection.

Our Comprehensive Motor Vehicle insurance policy is packed with great benefits including; choice of agreed value or market value, New vehicle replacement cover for Toyota vehicles damaged beyond repair up to 3 years/100,000km,¹⁶ Genuine Parts Promise and Quality Repair Guarantee. And our Toyota Insurance Factory Approved Extended Warranty Insurance provides protection that continues after your Toyota New Vehicle Warranty ends.



We've got your back.

Every new Toyota is built to exceptional standards, backed by a three year/100,000km¹⁴ warranty, giving you the peace of mind to feel confident for years to come. In the unlikely event that you need them, every Toyota Service Centre is committed to providing any warranty repairs you may need. They have the technology, the tools, and the skilled personnel to keep your Toyota in excellent condition.



Extend your peace of mind.

Whether it's a flat tyre, lost keys or a flat battery, Toyota Extra Care Roadside Assist is never more than a phone call away. Available 24 hours a day, seven days a week, every day of the year, you'll have peace of mind, whatever your emergency.¹⁷ With two levels of cover available, Toyota Extra Care Roadside Assist provides one of the most professional, reliable, and technologically advanced assistance networks in Australia.

Disclaimers and Notice.

- 1 The Bluetooth® word mark is owned by Bluetooth SIG, Inc. Not all devices will be compatible and functionality varies depending on the device.
- 2 Not all devices will be compatible. Functionality varies depending on device.
- 3 Park Assist/Reversing Camera is designed as a driver assist device only and should not be used as a substitute for skilled driving (and/or safe parking practices). The area into which the vehicle is to be driven must be visually monitored by the driver.
- 4 Paint featured is an optional extra at additional cost.
- 5 Roof Racks – Standard Kit, Economy Ladder Holder Kit, Eye Bolts and Key Locking Security Cable (pictured) are sold separately as optional extras.
- 6 Towing capacity is subject to regulatory requirements, towbar and vehicle design and towing equipment limitations. Ask your Dealer for Toyota Genuine Towbar capacity and availability details.
- 7 Fuel consumption varies depending on driving conditions/style, vehicle conditions and options/accessories. Source of fuel consumption data: ADR81/02 combined.
- 8 Some vehicle dimension figures are approximate and may vary due to options and accessory fitment.
- 9 Kerb, tare and payload weights are nominal and vary depending on options and accessories.
- 10 Gross Vehicle Mass (GVM) is the total permissible combined weight of the vehicle, including occupants, fuel & cargo.
- 11 iPod® is a trademark of Apple, Inc. Not all devices will be compatible and functionality will vary depending on the device.
- 12 Guaranteed Future Value (GFV) is the minimum value of your new Toyota at the end of your finance contract, as determined by Toyota Finance. If you decide to return your car to Toyota at the end of your term, Toyota Finance will pay you the agreed GFV amount which will be put against your final payment, subject to fair wear and tear conditions and agreed kilometres being met. The information provided is general in nature. You should seek your own financial advice to determine whether Toyota Access is appropriate for your individual circumstances. Terms and conditions, fees and charges apply. Toyota Access Guaranteed Future

IMPORTANT NOTICE – PLEASE READ:

Toyota Australia has used its best endeavours to ensure material is accurate at the time of printing. All information must be confirmed with your Toyota dealer at the time of ordering, as specifications and details will change over time. Colours displayed are a guide only and may vary from actual colours. To the extent permitted by law, Toyota Australia will not be liable for any damage, loss or expense incurred as a result of reliance

Value (GFV) products are available to approved customers of Toyota Finance, a division of Toyota Finance Australia Limited ABN 48 002 435 181, Australian Credit Licence 392536.

- 13 Maximum payable for standard scheduled logbook servicing (normal operating conditions) until first of three years or 60,000km (whichever occurs first), up to the first six services. Excludes Government & Rental vehicles. Contact your Toyota Dealer or go to toyota.com.au/advantage for other exclusions, eligibility and full details.
- 14 New Vehicle Warranty expires three years from date of first delivery or 100,000km, whichever occurs first. Refer to the warranty conditions. The New Vehicle warranty does not limit and may not necessarily exceed your rights under the *Competition and Consumer Act 2010*.
- 15 Toyota Finance is a division of Toyota Finance Australia Limited ABN 48 002 435 181, Australian Credit Licence No 392536.
- 16 Terms and conditions apply. This advice does not take into account any of your particular objectives, financial situation or needs. For this reason, before you act on this advice, you should consider the appropriateness of the advice taking into account your own objectives, financial situation and needs. Before making a decision about any of the insurance products, please refer to the current Product Disclosure Statement (PDS) for the relevant product available from participating Dealers, via the Toyota Insurance website at toyotainsurance.com.au or by calling 137 200. Toyota Insurance is a division of Aioi Nissay Dowa Insurance Co., Ltd. ABN 39 096 302 466 AFSL Number 254489 (Andia). The Insurer is Andia. Our insurance policies do not change or take away your rights under the Australian Consumer Law. Your right to claim under our policies for the benefits covered is in addition to other rights and remedies you have under the law in relation to your vehicle. However, you can choose to make a claim under any of our policies even if you have rights under the law.
- 17 Toyota Extra Care is administered by Toyota Finance, a division of Toyota Finance Australia Limited ABN 48 002 435 181, Australian Credit Licence 392536.

on the information and photos contained in this material. Material distributed in Western Australia by or on behalf of Prestige Motors Pty Ltd (for vehicles) and by Eastpoint Pty Ltd (for parts/accessories). Toyota Australia makes no warranties regarding (and will not be liable for) accuracy of materials distributed in Western Australia.

PART NUMBER: TYHIAECBRO. VALID: X5413. PRINTED: FEBRUARY 2014. TMCO421.