

The CLA Coupé and Shooting Brake



Mercedes-Benz



Rock. Star.

Clear the stage for a new generation of rock stars: the CLA Shooting Brake and the CLA Coupé. Hardly anyone has more followers. No wonder, for the sporty design has been sharpened once again. The opportunities for networking have been increased. Interplay with the road is virtuoso – thanks to powerful, efficient engines, DYNAMIC SELECT (available depending on the model) and suspension with adaptive damping adjustment available on request.





Bad boy

in good shape.



The CLA Coupé would never dream of fleeing from paparazzi. Why should it? The athletic silhouette, the new 45.7 cm (18-inch) wheels and the sporty tail end with integral tailpipe trims and optional LED High Performance tail lights in a new design are there for all to see. Is this the sexiest car alive? Your pulse decides.







The VIP area: the dream destination of its fans. Savour the interior honed with fine chrome elements and the new seat covers from the optional Urban line or the optional Exclusive package. The 2.32 cm (8-inch) media display available for the multimedia systems completes this perfectly composed view with a thinner frame. Connect with the car thanks to the optional Smartphone Integration Package, including Apple CarPlay™ or the new Google Android Auto, and experience your apps and lots more in the new CLA.

More heartbeats per minute.

Anyone encountering it in person has rarely been so excited. Even away from the main stage the CLA Shooting Brake is immediately the centre of attention. With a diamond radiator grille, the bumper with new trim in silver, black, chrome or in the vehicle colour and restyled front apron plus the new vehicle colour cavansite blue. But the CLA also puts others in the limelight: with its LED High Performance headlamps available on request.





Don't drive. Perform.



The cheering breaks out – even before the off. Select the “Sport” drive program with DYNAMIC SELECT and fasten your seat belt well. In front of you lies more than a journey from A to B. Follow your own rhythm alone as you take bend after bend. You want to be dynamic when out and about, but above all as efficient as possible, too? The CLA Coupé and CLA Shooting Brake are alternatively available as particularly frugal BlueEFFICIENCY Edition models – as both a petrol and a diesel variant.





The stage outfit: Standard.

Even the standard equipment brings more glitz to the roads – with a diamond radiator grille, silver-coloured trim at the bottom in the bumper plus light-alloy wheels. The ECO display 2.0 in the instrument cluster promotes a fuel-saving driving style through its new design. Icons light up instead of text, simplifying comprehensibility at first glance. The range gained is indicated through bonus kilometres.

For even more glamour: The optional extras.

The new LED High Performance headlamps with their “Coming Home” function greet you with an extraordinary light show when you unlock the car. Thanks to KEYLESS-GO all you have to do is carry the key on you. With HANDS-FREE ACCESS a kicking movement of the foot under the rear bumper is all it takes for automatic opening – and even closing in the case of the CLA Shooting Brake – of the boot lid. Via the media display the reversing camera makes it easier to enter and leave parking spaces.



Crowd-puller: The Urban line.

Whether it's driving to the concert at a club in the hip part of town or the open-air festival on the outskirts: the Urban design and equipment line offers select details to enhance the car's dynamic character on the exterior and interior. Dynamic highlights when seen from any angle include the new design of the diffuser on the rear bumper, the diamond radiator grille with pins in high-gloss black, 45.7 cm (18-inch) 5-twin-spoke light-alloy wheels

and the two-pipe exhaust system with chrome-plated tailpipe trim. In the interior the athletic character is apparent from the integral-look sports seats with a completely new seat cover design. There are three new designs to choose from. Contrasting topstitching and the new sail-pattern trim further refine the interior. The multifunction steering wheel in leather with perforations in the grip area round off the high-quality ambience.



Excessively expressive: The AMG Line.

Real rock stars stopped wrecking hotel rooms long ago. On the contrary: they value perfectly styled furnishings. With the AMG Line the integral-look sports seats in the material combination ARTICO man-made leather/DINAMICA microfibre appear particularly sporty. The 3-spoke multifunction sports steering wheel in leather, with a flattened bottom section and perforations in the grip area, underlines this impression. Red topstitching forms an exciting contrast throughout. Another highlight: the brushed stainless steel

sports pedals. The exclusive AMG bodystyling, consisting of the front and rear apron plus side sill panels, reinforces the dynamic appearance of the AMG Line. The new AMG 5-spoke 45.7 cm (18-inch) light-alloy wheels painted titanium grey with a high-sheen finish, the diamond radiator grille with pins in chrome and the two-pipe exhaust system with chromed tailpipe trims further enhance the dynamism of the new CLA. The lowered sports suspension also improves handling and increases driving pleasure.



Ready for the after-show party: The Night package.

Depending on the design and equipment line the Night package presents itself with a new diffuser on the rear bumper, a specific diamond radiator grille, including a louvre in high-gloss black, plus individual light-alloy wheels (the picture above shows the wheel in conjunction with AMG Line, below in conjunction with Urban line). The black exterior mirrors, shoulderline trim strips and tinted panes from the B-pillar underscore the extravagant appearance.

For that special note: The Exclusive and AMG Exclusive package.

Anyone residing in a suite when on tour should travel first class too. The Exclusive package ensures a fine ambience with a totally new seat cover variant in sahara beige/black and new trim, for example in matt black ash. The AMG Exclusive package again adds special highlights: with the RED CUT black leather upholstery with red contrasting topstitching and with trim, for example in machined aluminium or in black AMG DINAMICA microfibre.



Hard rock: CLA 250 Sport.

Engineered by AMG: the CLA 250 Sport impresses in seconds – and has a seemingly indefinite effect. Together with the sporty engine sound the AMG-specific sports suspension ensures standing ovations along the racing line. The dynamic engine and transmission tuning unleashes unique driving dynamics. Precisely matched red highlights for the exterior

and interior emphasise the sheer power of the CLA 250 Sport. Starting with the red brake callipers, through the trim to the seat belts in the same colour. With its all-wheel drive the CLA 250 Sport 4MATIC brings this power to the road particularly skilfully and safely. Climb in – and discover the world of AMG.



Speed metal: Mercedes-AMG CLA 45 4MATIC.

How many beats per minute can your heart accelerate to? Try it out: with the Mercedes-AMG CLA 45 4MATIC. High performance in its most thrilling form – thanks to an even more expressive design and the 280 kW (381 hp) of the most powerful series-production four-cylinder turbo engine in the world. The maximum torque: an unbridled 475 Nm. Experience what it means to leave the 100 km/h mark behind you from a standstill in 4.2 seconds (in 4.3 seconds in the case of the shooting brake). Cut through the airflow with the optional

Aerodynamics package. The AMG high-performance braking system ensures best possible deceleration. In the interior the new AMG-design trim sends out a strikingly sporty signal. The AMG instrument cluster, the AMG DRIVE UNIT and the AMG performance steering wheel in black DINAMICA microfibre, with a flattened bottom section and available on request, underscore the outstanding performance.

Upholstery and trim.

Upholstery

- 111 ARTICO man-made leather in black^{1,2,4}
- 118 ARTICO man-made leather in crystal grey^{1,2,4}
- 151 ARTICO man-made leather in black^{1,3,4}
- 155 ARTICO man-made leather in sahara beige^{1,3,4}
- 158 ARTICO man-made leather in crystal grey^{1,3,4}
- 351 ARTICO man-made leather/Coari fabric in black³
- 358 ARTICO man-made leather/Coari fabric in crystal grey³
- 371 ARTICO man-made leather/Maringá fabric in black with blue highlights³
- 378 ARTICO man-made leather/Maringá fabric in crystal grey³
- 381 ARTICO man-made leather/Maringá fabric in black with white highlights³
- 651 ARTICO man-made leather/DINAMICA microfibre in black^{3,5,6}
- 801 Leather in black³
- 804 Leather in nut brown³
- 811 RED CUT leather in black³
- 855 Leather in sahara beige/black³

Trim

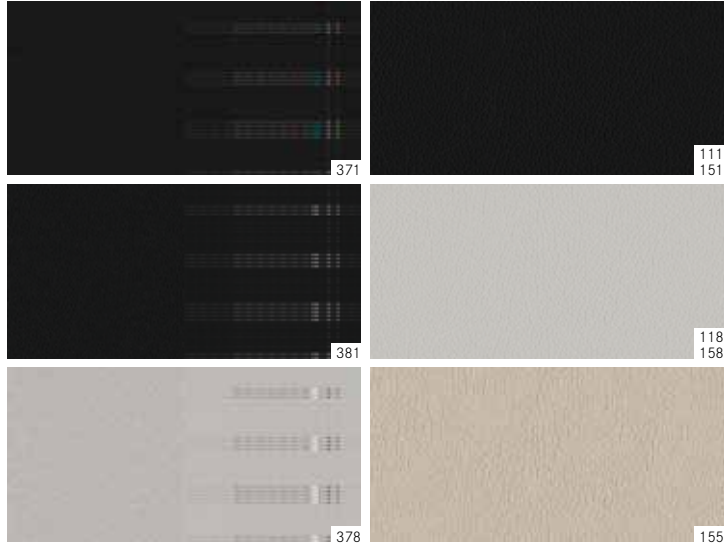
- H06 Matt black ash¹
- H14 High-gloss brown burr walnut wood¹
- H19 Satin-finish light brown poplar wood¹
- H72 Dark honeycomb-grain aluminium¹
- H73 AMG carbon fibre¹
- H79 Light longitudinal-grain aluminium^{1,7}
- H81 Sail pattern
- H88 Matrix look
- H90 AMG design in black/red⁶ (not illustrated)
- H91 AMG design in black/silver⁸ (not illustrated)
- H92 AMG DINAMICA microfibre in black¹
- 739 Trapezium-grain aluminium^{1,9}

¹Optional extra. ²Luxury seat. ³Sports seat. ⁴Only in conjunction with Seat Comfort package. ⁵Standard specification for Sport model. ⁶Standard specification for Mercedes-AMG models. ⁷Standard specification in conjunction with AMG Line and AMG Exclusive package. ⁸Optional extra for Mercedes-AMG models. ⁹Standard specification in conjunction with Exclusive package.

Standard equipment



Urban line¹



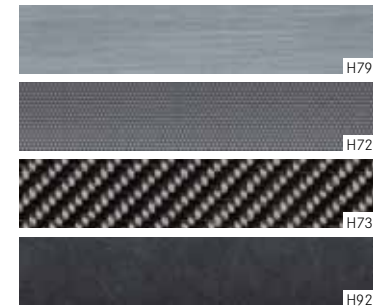
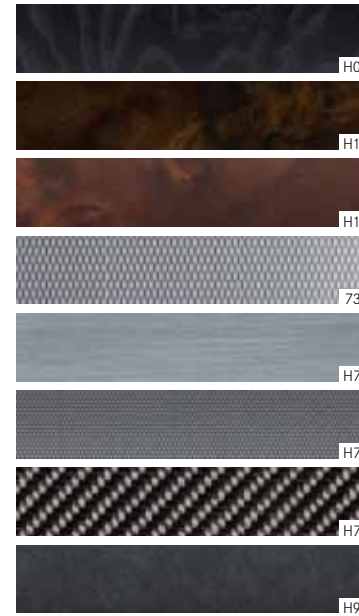
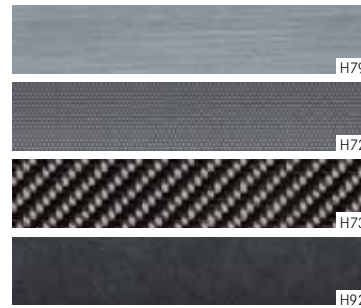
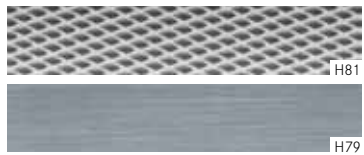
AMG Line¹



Exclusive package¹



AMG Exclusive package¹

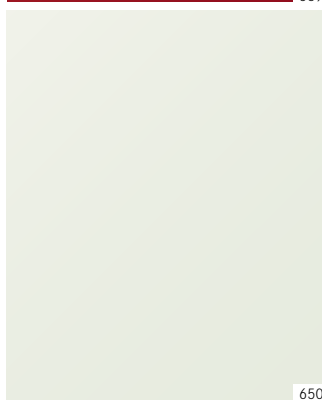


Paintwork.

Non-metallic paints



589



650



696

Metallic paints¹



191



761



787



890



990

Special paint¹



991

Non-metallic paints

589 jupiter red

650 cirrus white

696 night black

Metallic paints¹

191 cosmos black

761 polar silver

787 mountain grey

890 cavansite blue

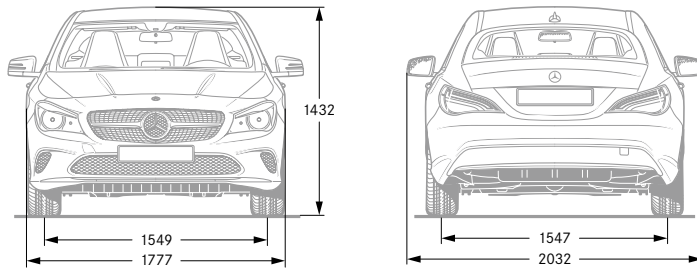
990 orient brown

Special paint¹

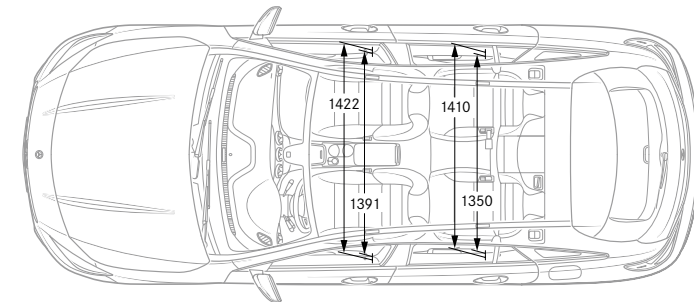
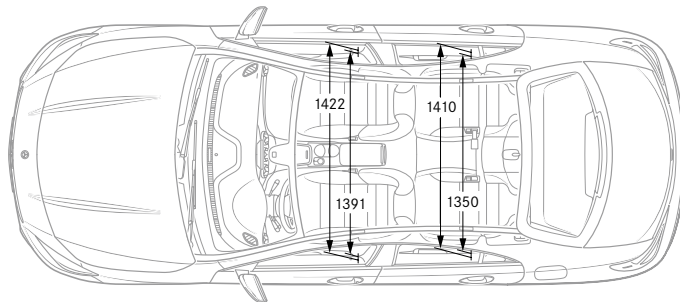
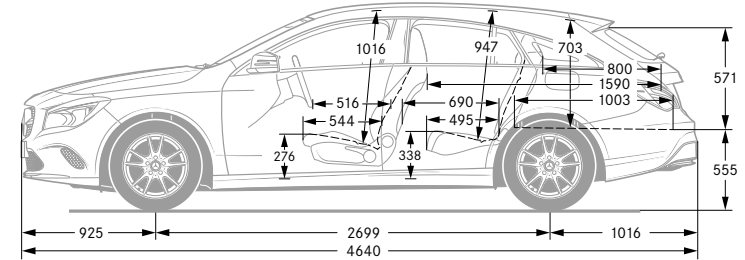
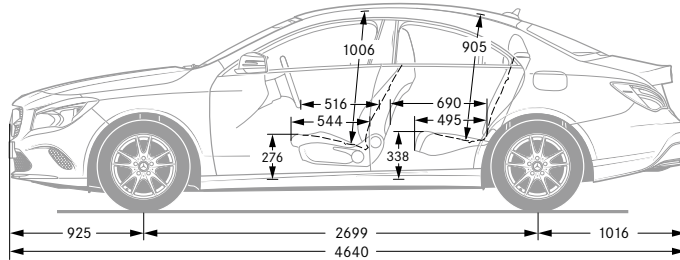
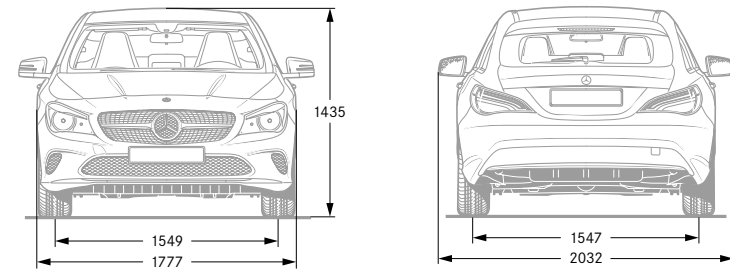
991 designo polar silver magno

¹ Optional extra.

Coupé dimensions.



Shooting brake dimensions.



All dimensions in millimetres. The dimensions shown are mean values and apply to the standard-specification, unladen CLA 180.

Technical data for coupé.

DIESEL ENGINES

	CLA 180 d BE ⁶ Edition	CLA 180 d	CLA 200 d	CLA 200 d 4MATIC	CLA 220 d	CLA 220 d 4MATIC
No. of cylinders/arrangement	4/in-line	4/in-line	4/in-line	4/in-line	4/in-line	4/in-line
Total displacement in cc	1461	1461	2143	2143	2143	2143
Rated output ¹ in kW (hp) at rpm	80 (109)/4000	80 (109)/4000	100 (136)/3200-4000	100 (136)/3400-4400	130 (177)/3600-3800	130 (177)/3600-3800
Rated torque ¹ in Nm at rpm	260/1750-2500	260/1750-2500	300/1400-3000	300/1400-3000	350/1400-3400	350/1400-3400
Transmission	6-speed, manual [-]	6-speed, manual [7G-DCT]	6-speed, manual [7G-DCT]	- [7G-DCT]	- [7G-DCT]	- [7G-DCT]
Acceleration from 0 to 100 km/h in s	11.6 [-]	11.6 [11.6]	9.5 [9.0]	- [9.0]	- [7.7]	- [7.7]
Top speed, approx. in km/h	190 [-]	205 [205]	220 [220]	- [216]	- [232]	- [230]
Fuel consumption ³ in l/100 km combined	3.5 [-]	4.0-3.7 [4.2-3.8]	4.4-4.0 [4.2-3.8]	- [4.9-4.6]	- [4.2-4.0]	- [4.9-4.6]
CO ₂ emissions ³ in g/km combined	89 [-]	108-98 [109-100]	114-104 [110-100]	- [127-119]	- [111-104]	- [127-119]
Emission class ⁴ /efficiency class ⁵	Euro 6/A+ [-]	Euro 6/A+ [Euro 6/A+]	Euro 6/A+ [Euro 6/A+]	- [Euro 6/A]	- [Euro 6/A+]	- [Euro 6/A]

PETROL ENGINES

	CLA 180 BE ⁶ Edition	CLA 180	CLA 200	CLA 220 4MATIC	CLA 250	CLA 250 Sport	CLA 250 4MATIC	CLA 250 Sport 4MATIC	Mercedes-AMG CLA 45 4MATIC
No. of cylinders/arrangement	4/in-line	4/in-line	4/in-line	4/in-line	4/in-line	4/in-line	4/in-line	4/in-line	4/in-line
Total displacement in cc	1595	1595	1595	1991	1991	1991	1991	1991	1991
Rated output ¹ in kW (hp) at rpm	90 (122)/5000	90 (122)/5000	115 (156)/5300	135 (184)/5500	155 (211)/5500	160 (218)/5500	155 (211)/5500	160 (218)/5500	280 (381)/6000
Rated torque ¹ in Nm at rpm	200/1250-4000	200/1250-4000	250/1250-4000	300/1200-4000	350/1200-4000	350/1200-4000	350/1200-4000	350/1200-4000	475/2250-5000
Transmission	6-speed, manual [-]	6-speed, manual [7G-DCT]	6-speed, manual [7G-DCT]	- [7G-DCT]	6-speed, manual [7G-DCT]	6-speed, manual [7G-DCT]	- [7G-DCT]	- [7G-DCT]	- [AMG SPEEDSHIFT DCT 7-speed sports transmission]
Acceleration from 0 to 100 km/h in s	9.0 [-]	9.0 [8.7]	8.2 [7.9]	- [7.1]	6.6 [6.5]	6.5 [6.4]	- [6.5]	- [6.4]	- [4.2]
Top speed, approx. in km/h	190 [-]	210 [210]	230 [230]	- [240]	240 [240]	250 ² [250 ²]	- [240]	- [250 ²]	- [250 ²]
Fuel consumption ³ in l/100 km combined	5.0 [-]	5.7-5.4 [5.6-5.2]	5.7-5.5 [5.6-5.2]	- [6.7-6.5]	6.6-6.4 [6.0-5.8]	6.7 [6.2]	- [6.7-6.5]	- [6.8]	- [7.3-6.9]
CO ₂ emissions ³ in g/km combined	117 [-]	133-125 [128-121]	133-126 [128-121]	- [156-152]	153-148 [140-136]	156 [143]	- [156-152]	- [160]	- [171-162]
Emission class ⁴ /efficiency class ⁵	Euro 6/B [-]	Euro 6/B [Euro 6/B]	Euro 6/B [Euro 6/B]	- [Euro 6/C]	Euro 6/C [Euro 6/B]	Euro 6/D [Euro 6/C]	- [Euro 6/C]	- [Euro 6/D]	- [Euro 6/D]

The best for the engine:
Mercedes-Benz genuine engine oils.

¹ Figures for rated output and rated torque in accordance with Directive (EC) No. 595/2009 in the currently applicable version. ² Electronically governed. ³ The figures given for fuel consumption and CO₂ emissions were determined in accordance with the prescribed measuring process (§ 2 Nos. 5, 6, 6a passenger car energy labelling ordinance in the currently applicable version). The figures are not based on an individual vehicle and do not constitute part of the

Technical data for shooting brake.

DIESEL ENGINES

	CLA 180 d BE ⁶ Edition	CLA 180 d	CLA 200 d	CLA 200 d 4MATIC	CLA 220 d	CLA 220 d 4MATIC
No. of cylinders/arrangement	4/in-line	4/in-line	4/in-line	4/in-line	4/in-line	4/in-line
Total displacement in cc	1461	1461	2143	2143	2143	2143
Rated output ¹ in kW (hp) at rpm	80 (109)/4000	80 (109)/4000	100 (136)/3200-4000	100 (136)/3400-4400	130 (177)/3600-3800	130 (177)/3600-3800
Rated torque ¹ in Nm at rpm	260/1750-2500	260/1750-2500	300/1400-3000	300/1400-3000	350/1400-3400	350/1400-3400
Transmission	6-speed, manual [-]	6-speed, manual [7G-DCT]	6-speed, manual [7G-DCT]	- [7G-DCT]	- [7G-DCT]	- [7G-DCT]
Acceleration from 0 to 100 km/h in s	11.9 [-]	11.9 [11.9]	9.7 [9.2]	- [9.2]	- [7.8]	- [7.8]
Top speed, approx. in km/h	190 [-]	200 [200]	215 [215]	- [212]	- [228]	- [225]
Fuel consumption ³ in l/100 km combined	3.6 [-]	4.2-3.9 [4.3-4.1]	4.4-4.1 [4.2-3.9]	- [5.0-4.6]	- [4.3-4.0]	- [5.0-4.6]
CO ₂ emissions ³ in g/km combined	94 [-]	110-101 [114-107]	115-108 [111-101]	- [131-121]	- [112-105]	- [131-121]
Emission class ⁴ /efficiency class ⁵	Euro 6/A+ [-]	Euro 6/A+ [Euro 6/A+]	Euro 6/A+ [Euro 6/A+]	- [Euro 6/A]	- [Euro 6/A+]	- [Euro 6/A]

PETROL ENGINES

	CLA 180 BE ⁶ Edition	CLA 180	CLA 200	CLA 220 4MATIC	CLA 250	CLA 250 4MATIC	CLA 250 Sport 4MATIC	Mercedes-AMG CLA 45 4MATIC
No. of cylinders/arrangement	4/in-line	4/in-line	4/in-line	4/in-line	4/in-line	4/in-line	4/in-line	4/in-line
Total displacement in cc	1595	1595	1595	1991	1991	1991	1991	1991
Rated output ¹ in kW (hp) at rpm	90 (122)/5000	90 (122)/5000	115 (156)/5300	135 (184)/5500	155 (211)/5500	155 (211)/5500	160 (218)/5500	280 (381)/6000
Rated torque ¹ in Nm at rpm	200/1250-4000	200/1250-4000	250/1250-4000	300/1200-4000	350/1200-4000	350/1200-4000	350/1200-4000	475/2250-5000
Transmission	6-speed, manual [-]	6-speed, manual [7G-DCT]	6-speed, manual [7G-DCT]	- [7G-DCT]	6-speed, manual [7G-DCT]	- [7G-DCT]	- [7G-DCT]	- [AMG SPEEDSHIFT DCT 7-speed sports transmission]
Acceleration from 0 to 100 km/h in s	9.1 [-]	9.1 [8.8]	8.5 [8.2]	- [7.2]	6.8 [6.7]	- [6.6]	- [6.7]	- [4.3]
Top speed, approx. in km/h	190 [-]	210 [210]	225 [225]	- [235]	240 [240]	- [240]	- [240]	- [250 ²]
Fuel consumption ³ in l/100 km combined	5.5 [-]	6.0-5.5 [5.7-5.4]	6.0-5.6 [5.7-5.4]	- [6.9-6.7]	6.7-6.6 [6.3-6.1]	- [6.9-6.7]	- [6.9]	- [7.3-6.9]
CO ₂ emissions ³ in g/km combined	126 [-]	140-128 [134-126]	140-130 [134-126]	- [158-154]	156-151 [145-141]	- [158-154]	- [160]	- [171-162]
Emission class ⁴ /efficiency class ⁵	Euro 6/B [-]	Euro 6/B [Euro 6/B]	Euro 6/B [Euro 6/B]	- [Euro 6/C]	Euro 6/C [Euro 6/C]	- [Euro 6/C]	- [Euro 6/D]	- [Euro 6/C]

product offer; they are provided solely for purposes of comparison between different vehicle models. ⁴Data applicable within the European Union only. May vary from country to country. ⁵Determined on the basis of the measured CO₂ emissions, taking into account the mass of the vehicle.

⁶BlueEFFICIENCY. Figures in square brackets refer to models with automatic transmission. Further technical data can be found at www.mercedes-benz.com



Mercedes-Benz is one of the founding partners of the “Laureus Sport for Good Foundation”.

Since the foundation was established in 2000, Mercedes-Benz has been supporting and promoting the aims and values of this worldwide non-profit-making programme: to use social sports projects to improve the lives of children and young people who are disadvantaged or suffering from illness. Laureus has become a fundamental element of Mercedes-Benz’s social responsibility. Every new Mercedes is an ambassador embodying these values. In buying a Mercedes you are supporting the “Laureus Sport for Good Foundation”.

Please note: changes may have been made to the product since going to press (15.01.2016). The manufacturer reserves the right during the delivery period to make changes to the design, form, colour or specification, provided these changes, while taking into account the interests of the vendor, can be deemed reasonable with respect to the purchaser. Where the vendor or the manufacturer uses symbols or numbers to describe an order or the subject of an order, no rights may be derived solely from these. The illustrations may include accessories and optional extras which do not form part of the standard specification. Colours may differ slightly from those shown, owing to the limitations of the printing process. This brochure is distributed internationally. Information given regarding statutory regulations, legal requirements and taxation and the consequences thereof applies to the Federal Republic of Germany only and is correct at the time of going to press. For current and more specific information in relation to the range of models, features, optional extras, colours and/or services available in your country, and their pricing, you should contact your nearest authorised Mercedes-Benz Passenger Car Dealer.

www.mercedes-benz.com

Take-back of end-of-life vehicles. You can return your CLA to us for environment-friendly disposal in accordance with the European Union (EU) End-Of-Life Vehicle Directive. But that day lies a long way off.

A network of vehicle take-back depots and dismantlers has been established to make it as easy as possible for you to return your vehicle. You can leave it at any of these points free of charge and, by doing so, make an important contribution to completing the recycling process and conserving resources.

For further information about the recycling and disposal of end-of-life vehicles, and the take-back conditions, please visit the national Mercedes-Benz website.