

E-Class Saloon



Mercedes-Benz



This Brochure is prepared by Daimler AG and it predominantly reflects the capabilities and performance of vehicles sold in Europe. Some characteristics, capabilities performance features and optional extras (e.g. towing systems) may not be available or may not apply in Australia or under Australian conditions. The information in this brochure is therefore indicative, illustrative and provided only for guidance and should not be relied on. To obtain current and accurate information on a vehicle and any options applicable to Australia, contact your local authorized Mercedes-Benz dealer.

Mastermind.

Mastering the greatest challenges with an accomplished lightness of touch is a fine art indeed. As manifested in fascinating guise in an automobile that supports you, takes the strain out of driving and intuitively protects you like none before it. A car that not only moves you, but actively guides you on the road to autonomous and accident-free driving. Offering optimum safety and comfort every inch of the way, courtesy of Mercedes-Benz Intelligent Drive. Follow your instinct. The new E-Class. Intuition. On a new level.

INTUITION INTERACTIVE.



Experience the new E-Class in glorious HD. With the Mercedes-Benz brochure app for the iPad® and with the Digital Owner's Manual from "Mercedes-Benz Guides" for the iPhone®. Both apps feature a host of films and additional content and are available free of charge from the iTunes Store®.



Embodying intuition: the new E-Class.

**2 | Mercedes-Benz E 350 d
selenite grey metallic**

Equipment: AMG Line Exterior, AMG multi-spoke light-alloy wheels, two-tone designo nappa leather upholstery in black/titanium grey pearl, metal-weave trim

**18 | Mercedes-Benz E 200
cavansite blue metallic**

Equipment: EXCLUSIVE line with EXCLUSIVE Exterior and Interior line, multi-spoke light-alloy wheels, nappa leather upholstery in macchiato beige/espresso brown, trim in designo magnolia wood flowing lines in brown

**Intuition in detail:
Mercedes-Benz Intelligent Drive.**

08 | PRE-SAFE® Impulse Side

10 | PRE-SAFE® Sound

14 | Car-to-X Communication

18 | DRIVE PILOT

30 | Active Brake Assist

32 | Integral safety concept

34 | Mercedes me

38 | Services

42 | Engines

43 | 9G-TRONIC automatic transmission

44 | AIR BODY CONTROL air suspension

45 | DYNAMIC SELECT transmission modes

46 | Interior comfort

48 | Equipment, packages and accessories

60 | Wheels

62 | Technical data

65 | Upholstery and paintwork



The status of the new E-Class is written all over its face. The long bonnet, the upright headlamps and the width-emphasizing front with large air intakes promise refined sportiness. Once aboard, you'll feel as if you are gliding through the city. You will reach your destinations more quickly and in even greater comfort, as the new E-Class is always well-informed and alert. Discover Mercedes-Benz's innovative prowess on the following pages. Manifested in one of the world's most intelligent executive saloons.

Prepare to welcome
a great leap forwards.



A superbly fluent design idiom.

Powerful. Stylish. The supreme self-assurance of the new E-Class is immediately apparent in its profile. The sporty contour with the high, well-balanced beltline and the apparently lower side windows lends the Saloon an especially lightweight appearance. The coupé-like roof line flows elegantly into the broad shoulders. And on into a striking rear end that underscores the vehicle's leadership aspirations.









Enjoy every moment.

Even more space to unfold in: featuring a new seating concept and the ultimate in high-class appeal, the interior of the new E-Class offers unprecedented comfort, highlighting Mercedes-Benz's modern interpretation of luxury. Tangibly exclusive with a broad selection of new equipment and appointments, attractive colour concepts and materials such as the finest leather and open-pore wood. For a setting that's tailor-made to make you feel at home.


Moving you
out of harm's way.



Follow the new E-Class and experience
Mercedes-Benz Intelligent Drive.



It is inherent in the architecture of a vehicle that the sides tend to be particularly exposed in the event of a collision. So how can the driver and front passenger be offered even better protection? Our engineers rose to this challenge and came up with PRE-SAFE® Impulse Side. When a side collision is identified as being unavoidable, the newly developed system controls the inflation of air chambers in the seat's side bolster. This takes place in a fraction of a second. As a preventive measure, the occupants can be moved towards the centre of the vehicle, thus increasing their distance from the door. A world-first that augments the PRE-SAFE® systems to provide 360° all-round protection.



A sound solution for the future. The human ear is exposed to noise involving high levels of sound pressure in an accident. We have developed a technology that can provide vehicle occupants' inner ears with advance warning: PRE-SAFE® Sound. Upon the vehicle's sensors detecting an impending hazardous situation, a short noise signal is output via the vehicle's audio system. This triggers a reflex in the inner ear: the stapedius muscle contracts, briefly reducing the ear drum's level of contact with the inner ear. As a result, the inner ear is prepared for the impending situation and thus protected more effectively from high sound pressure levels. Biomechanical hearing protection as part of Intelligent Drive from Mercedes-Benz.

Invigorating
smooth travel.

Pennetta



You only feel
what you want to feel.

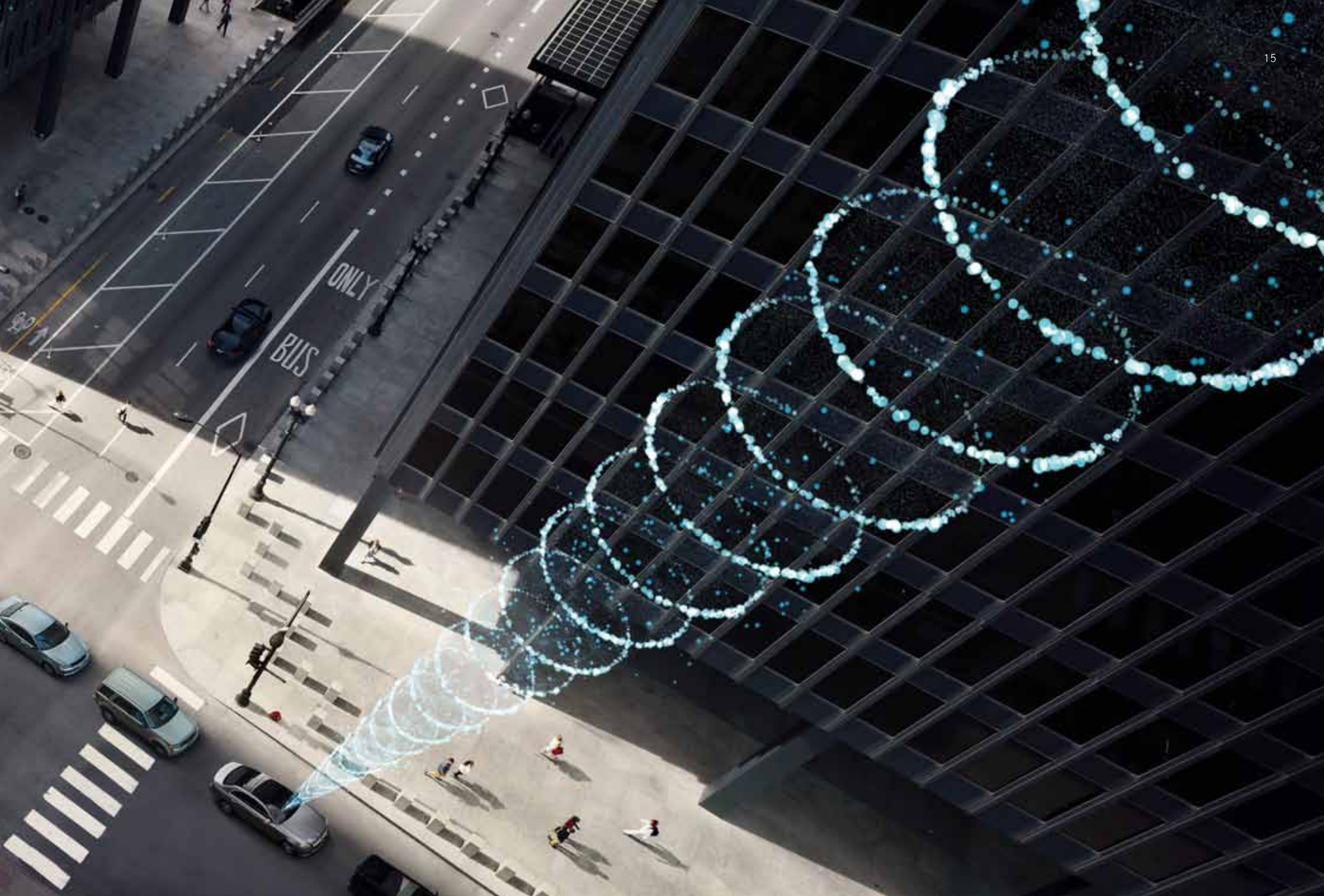


When you're on the road in the new E-Class, it's rather a feeling as if you were gliding along. Optional AIR BODY CONTROL featuring a multi-chamber air suspension system works in unison with continuously variable damper control to ensure a very high standard of ride comfort and driving dynamics. To this end, the damping system adjusts to the given driving and road conditions at each wheel. Optional MULTIBEAM LED headlamps incorporate 84 individually controllable LEDs which respond with extreme speed and precision for optimum illumination of the road. Adding a final touch of perfection to the Intelligent Light System from Mercedes-Benz.

Preventive interaction.

You require information about the route ahead in order to ensure that you reach your destination safely and suitably relaxed. With this in mind, Mercedes-Benz is pioneering Car-to-X Communication on board the new E-Class. This technology expands the functionality of Live Traffic Information. All vehicles participating in Car-to-X relay their positions to an information platform on a regular basis and receive the relevant messages for their present area in return. The up-to-the-minute information on traffic disruptions or slippery roads is presented on the COMAND Online map display. The driver is then provided with visual and/or audible warnings of potential hazards.







Inspiring success.





Follow the new E-Class and experience
Mercedes-Benz Intelligent Drive.

Leading the way.

The new E-Class guides you through the traffic: a fascinating experience – a milestone on the way to autonomous and accident-free driving. The optional DRIVE PILOT is being premiered in the new E-Class. On all types of roads – motorways, country roads and in the city – the innovative system is not only able to maintain the correct distance from vehicles ahead automatically, it can also follow them in their wake in the speed range up to 210 km/h. Within the operating range of the DRIVE PILOT, the driver does not need to intervene by braking or accelerating and also receives considerable assistance with steering. For the first time, Active Lane Change Assist from Mercedes-Benz offers tangible, partially automated support during lane changing. The Speed Limit Pilot adopts recognised speed limits automatically and adjusts the powertrain accordingly. This noticeably eases the driver's workload.



Always in contact.

If you so wish, you can use your compatible smartphone to open the new E-Class and provide proof of the necessary authorisation to start the car. It can be synchronised via Apple CarPlay® or Android Auto with the optionally available COMAND Online infotainment system, for example. Manoeuvre into and out of parking spaces in supreme comfort – simply by activating the new optional Remote Parking Pilot via an app. It takes just one finger to control the parking process, with the new E-Class negotiating parking spaces fully automatically and safely. And the exclusive Mercedes me connect Concierge Service is on hand to secure parking spaces, in addition to which it can also reserve tickets for you or a table at a restaurant.








Discover a whole new world.

Intuitive operation, innovative presentation. The new, optional Widescreen Cockpit with flat-screen look – only available in conjunction with COMAND Online – consists of two 31.2 cm (12.3-inch) high-resolution displays. It offers a graphic representation of vehicle functions in colour. The driver can choose from the three dynamic display styles “Classic”, “Sport” and “Progressive”. We have also come up with an ingenious idea for your inductively chargeable smartphone: just place it on the charging station in the centre console.

A close-up photograph of a car's front passenger seat. The seat features a light-colored, perforated fabric backrest with vertical stitching. The seat is upholstered in a smooth, light-colored material, likely leather or a high-quality synthetic material. The headrest is also covered in the same smooth material and has a subtle, curved design. The overall aesthetic is clean and modern, typical of a premium vehicle interior.

The new E-Class is an exclusive wellness oasis. The optional Active Multicontour Seat package with ENERGIZING massage function stimulates and relaxes the back muscles. 14 air chambers in the backrest and four in the cushion offer soothing and invigorating comfort in a choice of eight programmes. The two Active Workout programmes encourage the driver and front passenger to actively strengthen their muscles through movement. For a high standard of seated comfort, especially on long journeys. On cold days the Warmth Comfort package with the heated armrests in the front doors and the centre console provides cosy warmth in next to no time. And the heated steering wheel adds the finishing touch for perfect comfort.







A new departure.

It's time to climb aboard and experience motoring in a whole new guise. With new drive technologies such as diesel engines that are even more efficient and at the same time more agile and powerful. Power that can be applied even more precisely and gently with the optional 9G-TRONIC automatic transmission. And refined motoring that becomes a highly individual experience with the five DYNAMIC SELECT transmission modes.





Miles ahead
on all fronts.

Supreme assurance.



Follow the new E-Class and experience
Mercedes-Benz Intelligent Drive.

Slowing things down is also part of progress – for safety’s sake. Active Brake Assist, which is included in the standard scope of equipment, also responds to pedestrians crossing the road at vehicle speeds of up to 55 km/h – rising to approx. 65 km/h in the next generation to be included in the Driving Assistance package. This is made possible by the interaction of the radar sensor fitted in the bumper, the stereo camera positioned behind the windscreen and high-performance sensors which are able to recognise and analyse any situation. The extended functions of Active Brake Assist form part of the optional Driving Assistance package Plus. This combines innovative safety and assistance systems which now relieve the driver’s workload even more effectively and are able to improve the level of protection for the vehicle’s occupants and other road users.



A masterpiece of a new age.



Discover now why the new E-Class is one of the most intelligent and safest vehicles around.



This catalogue has acquainted you with a wealth of innovative technologies belonging to Mercedes-Benz Intelligent Drive which set new standards in safety, connectivity and invigorating comfort. This all makes the new E-Class one of the most intelligent executive saloons in the world, offering its occupants and other road users even better protection. This results from systematic enhancement of its sensor systems, enabling complete coverage of the vehicle's surroundings. At the same time, the active and passive safety and assistance systems have undergone further optimisation and their internetworking has undergone additional improvement. The new E-Class no longer just supports the driver – it is actually capable of mastering critical situations on its own. Paving the way to autonomous and accident-free driving.



Our next great innovation revolves around you.

Prepare to be inspired, surprised and thrilled by new services, products and experiences at www.mercedes.me. You are also warmly invited to check out our Mercedes me stores in major cities such as Hamburg, Milan, Tokyo or Hong Kong.





Mercedes me. Welcome to your Mercedes-Benz world.

You have new questions, Mercedes-Benz has a new answer for you: Mercedes me. Your point of access to a fascinating world of personalised services from Mercedes-Benz. Offering innovative, individualised mobility, connectivity, finance and other services, as well as special brand experiences. All subject to continual development. Innovative, simple and cutting-edge: www.mercedes.me

Join us – on your smartphone, tablet or PC. And let's shape tomorrow's world together. Any time, anywhere.

Mercedes me connect is all about networking the vehicle with the driver – and more besides: the car is becoming part of the way we live, providing added comfort as well as the reassurance of being permanently connected, even while on the move. Mercedes me connect includes Standard Services, which are able to provide you with automatic support in the event of a breakdown or an accident, and Remote Online Services – the option enabling vehicle settings to be carried out by smartphone.



Mercedes me finance offers you various routes to your vehicle of choice. Mercedes-Benz Financial Services finds the ideal leasing, financing and insurance solution together with you – tailored to your needs. Our leasing products enable you to drive the latest models at all times while enjoying maximum flexibility, as you pay not for acquisition of the vehicle, but only for its use. You also benefit from attractive monthly instalments. Our financing arrangements enable you to pay for your new Mercedes-Benz in a way that suits your personal budget. You can tailor your monthly instalments to your needs by deciding on an appropriate down-payment and term for your contract. Our individual insurance solutions offer reliable protection for your budget and your vehicle on attractive terms.

Mercedes me inspire offers special brand experiences and an opportunity to engage in an inspiring dialogue. We aim to share our ideas with you and we would like to know your ideas and wishes. So that we can always offer you the best solutions. A community is available to this end, and you will also find a growing range of offerings and experiences which go beyond the traditional vehicle-related topics – from areas such as events, travel and lifestyle.

Mercedes me move offers access to the intelligent mobility solution moovel: this mobility app pools the offerings from various mobility providers to find the ideal route from A to B. car2go is the pioneer and market leader worldwide in free-floating car sharing, and car2go black stands for smartphone-based car sharing with Mercedes-Benz B-Class vehicles. With the mytaxi app you can order a taxi, track its approach live and pay for your journey in a convenient manner.

Mercedes me assist makes easy work of organising maintenance for your vehicle, providing a convenient online means of locating a Mercedes-Benz dealer in your neighbourhood and arranging a service appointment. The digital service report keeps you up to date on performed service work at all times. The report is available to you online just one day after a service. In addition to the current service report, you can also view your vehicle's complete service history and service intervals, and you can print this information out if you so wish.

**Mercedes-Benz
Service**



Our service: the perfect fit for your Mercedes.

Beyond the car itself, you also acquire something priceless – an exclusive partnership with Mercedes-Benz. For you, this means safety, independence and motoring free of any worries. In other words: the reassuring feeling of driving a Mercedes.

The best for your Mercedes. No-one knows your Mercedes better than our experienced specialists at the Mercedes-Benz workshops. The comprehensive range of services and the high standard of quality ensure that your vehicle is in top condition. We use tested Mercedes-Benz GenuineParts and special tools to this end.

The best for you. Motoring free of any worries right from the word go: with the tailor-made Mercedes-Benz Service Contracts. These offer you the benefits of a reliable basis for long-term planning, permanent control over costs, fixed monthly rates and cost transparency. Plus ideal protection from additional workshop costs.

The best for your mobility. The Mercedes-Benz Mobilo¹ insurance package provides for motoring free of any worries throughout Europe – covering breakdowns, accidents, minor mishaps and vandalism. The benefits offered by Mobilo include on-the-spot assistance, a replacement vehicle, towing and overnight hotel accommodation, for example. This mobility guarantee is automatically on board for the first two years after initial registration, and can subsequently be renewed for a period of up to 30 years in all. Whenever you need assistance, you can reach us free of charge throughout Europe on 00800 1 777 7777².

↘ FIND OUT MORE

For the full information on Mercedes-Benz Service Contracts, go to www.mercedes-benz.com/servicevertraege – or ask your authorised Mercedes-Benz dealer to draw up an individual offer for you.

¹ Our general terms and conditions apply. The period of validity is extended after each service carried out by an authorised Mercedes-Benz service partner until the due date for the next service – up to a maximum of 30 years after initial registration. ² Roaming charges may apply when calling from abroad.

What would motorsport be without Mercedes-Benz?

The first vehicle to ever win an automobile race was powered by a Daimler engine. The first Mercedes was a racing car. The Silver Arrows – a true legend. Mercedes-Benz has a long tradition of involvement with the world of sport. Motorsport shapes the brand and every vehicle bearing the Mercedes star to this day. Discover the brand's unique history first-hand: at the Mercedes-Benz Museum in Stuttgart.

↘ FIND OUT MORE

Discover just what has been moving the world for almost 130 years and take a journey through time as well as through the history of the automobile at the Mercedes-Benz Museum. More than 1500 exhibits await you on 16,500 sqm of floor-space, including unique gems such as the oldest surviving Mercedes from 1902 or the legendary gull-wing models.

Welcome to a place of innovation:

www.mercedes-benz.com/museum



What would Mercedes-Benz be without motorsport?

3 June 1934 marked the beginning of the Silver Arrows legend in the International Eifel Race at the Nürburgring. The Silver Arrows works team MERCEDES AMG PETRONAS continued this tradition in the 2014 Formula 1 season. Its successful involvement was crowned by the most impressive double victory of the season, with the team topping both the constructors' and the drivers' rankings. The team's successes are not restricted to the race track, however. Every mile raced also advances the development of hybrid technology for series production.

FIND OUT MORE

Fascinating Formula 1 goes multimedia:

<http://www.facebook.com/MercedesAMGF1>

<http://twitter.com/MERCEDESAMGF1>

<http://www.youtube.com/user/MERCEDESAMGPETRONAS>

<http://plus.google.com/+Mercedesamgf1/posts>

<http://instagram.com/MercedesAMGF1#>

<http://www.MercedesAMGF1.com>



MERCEDES AMG PETRONAS F1 W06 hybrid, 2015 season.



Power to your drivetrain.

The enhanced diesel engine is even more powerful and agile, while at the same time consuming less fuel. An intelligent engine generation which redefines efficiency with 143 kW (194 hp) and peak torque of 400 Nm on board the E 220.

The 4-cylinder petrol engine boasts a displacement of 2.0 l, direct injection, variable valve timing and turbo-charging – as featured on board the E 200 with 135 kW (184 hp). Peaking at 300 Nm, it also offers exceptional torque and power, combined with low fuel consumption and emissions in keeping with current standards. Reduced engine weight, optimised cylinder charging and lower internal friction also help to reduce fuel consumption and emissions. With these credentials, Euro 6 certification is virtually a matter of course.

THE ENGINE RANGE

Diesel:

E 220 d with an output of 143 kW (194 hp) and peak torque of 400 Nm

E 350 d with an output of 190 kW (258 hp) and peak torque of 620 Nm

Petrol:

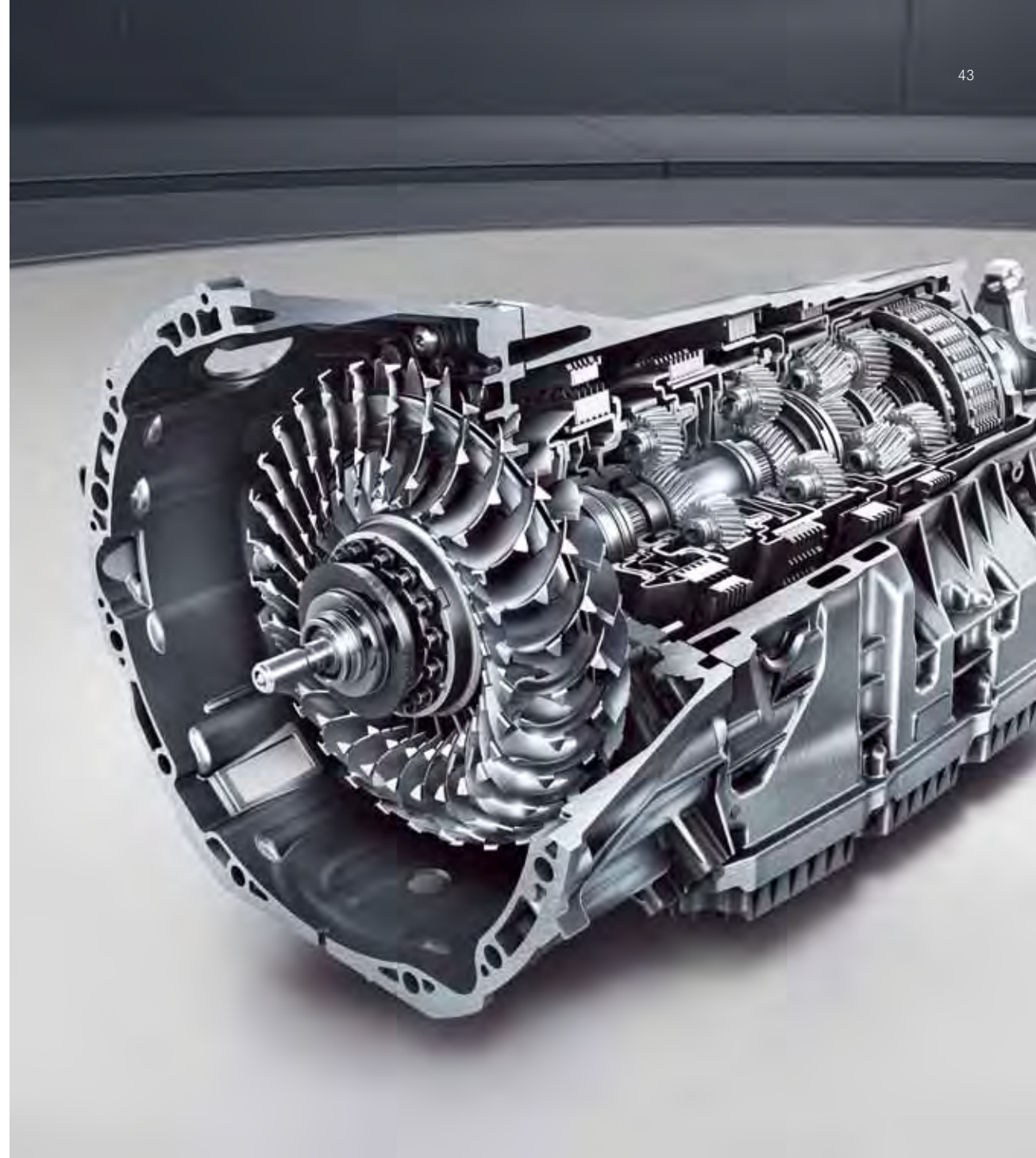
E 200 with an output of 135 kW (184 hp) and peak torque of 300 Nm

Harnessing power to perfection. 9G-TRONIC.

Efficiency, comfort and dynamics on a whole new level – the **9G-TRONIC automatic transmission** is the world's first 9-speed automatic transmission in the premium segment that can be deployed with longitudinally mounted engines and features a hydrodynamic torque converter. The high efficiency helps to reduce fuel consumption. Smaller gear ratio increments and faster gear changes lead to even greater responsiveness and agility. At the same time, the 9G-TRONIC impresses with its smooth, barely perceptible gear shifting.

POWERTRAIN TECHNOLOGY

The **ECO start/stop function** operates particularly effectively, rapidly and quietly. Automatically switching off the engine when stationary, for example in tailbacks or at traffic lights, lowers fuel consumption and emissions and saves fuel costs.





AIR BODY CONTROL. Air-bound comfort.

The optional **AIR BODY CONTROL air suspension** features for the first time on the new E-Class. The multi-chamber air suspension system works in unison with continuously variable damper control to ensure a very high standard of ride comfort and driving dynamics. The damping system adjusts to the given driving and road conditions at each wheel. This is done rapidly and precisely using separate valves for the compression and rebound of the dampers. The benefits are a soft basic suspension and, as the speed increases, the secure feeling that comes from the high level of driving stability. The tauter spring rate effectively reduces pitching and rolling when cornering or braking, for example. Thanks to the pneumatic all-round self-levelling suspension, the vehicle maintains a constant level irrespective of the load. The suspension can be raised by up to 50 mm to increase ground clearance. At high speeds the suspension is automatically lowered, helping to reduce aerodynamic drag and further improve handling stability.

SUSPENSION AND STEERING

The **AGILITY CONTROL suspension** with selective passive damping system provides for all-round ride comfort on any road surface.

Optional lowering of the suspension by 15 mm improves handling stability, particularly in corners, and gives the vehicle a sportier look.

The **Direct-Steer system** supplements the comfort of speed-sensitive power steering with a variable ratio dependent on the steering angle. For more agile vehicle response and enhanced straight-line stability.



DYNAMIC SELECT. Your own personal transmission modes.

With the **DYNAMIC SELECT** Controller in the centre console you can vary your driving experience just as you wish. “Comfort” transmission mode enables a particularly well-balanced style of driving. “ECO” adjusts all parameters for low fuel consumption, the ECO display in the multifunction display supports an efficient driving style, and depending on the engine variant the “gliding function” can be activated. “Sport” features an additionally lowered suspension, taut, sporty damper tuning (in each case in conjunction with optional **AIR BODY CONTROL**) and modified shift points. “Sport Plus” stands for extremely sporty shifting and damping characteristics. And “Individual” allows the driver to vary individual parameters at will - from the steering and the powertrain to the suspension.

DYNAMIC SELECT COMPONENTS

For your very own signature driving experience: the **DYNAMIC SELECT** Controller is ergonomically positioned in the centre console.

The selected transmission mode is indicated in the instrument cluster and presented in graphic form on the **Media Display**.



The finest sound in the finest air.

The **Burmester® high-end 3D surround sound system** has been designed especially for the new E-Class. 23 high-performance loudspeakers and 25 amplifier channels with a system output of up to 1450 W guarantee unprecedented listening pleasure. The combination of analogue and digital elements produces a fascinating three-dimensional sound. Burmester® algorithms developed exclusively for the new E-Class and four loudspeakers integrated in the roof liner enable mono, stereo and 5.1 music signals to be enjoyed as a three-dimensional audio experience courtesy of the 3D surround sound.

The optional **AIR-BALANCE package** offers its own special kind of refined pleasures: four exclusive interior fragrances conjure up a personal ambience, while ionisation of the air through enrichment with negative oxygen ions cleans the atmosphere inside the car. The settings are carried out by means of the Controller and are indicated on the Media Display.

FOR AN EVEN MORE EXCLUSIVE AMBIENCE

The optional **THERMOTRONIC** automatic climate control provides an individual on-board atmosphere of wellbeing with three climate zones and three climate styles. The driver and the front passenger are able to regulate temperature and air distribution independently of one another. Temperature and airflow for the rear can be adjusted separately.

The optional **Burmester® surround sound system** guarantees a first-class Burmester® “feel-good sound” thanks to its 13 high-performance speakers and electronic and acoustic elements tuned precisely to the interior. The listening experience can be intensified even further with the surround function or sound optimisation for the front and rear seats.

Light and airy.

Climb in and feel at home – with its pleasant, indirect light, the optional **ambient lighting**¹ system creates a unique atmosphere in the interior. At night in particular, it highlights the fine lines and exclusive character of the interior design and conveys a feeling of spaciousness. A choice of 64 different colours enables drivers to create their own signature lighting mood. The ambient lighting is based entirely on LED technology and can be simply adjusted, dimmed or switched off via the Media Display. It is activated and deactivated with the exterior lights. It also goes on when the doors are opened, to welcome you inside an interior that adapts to your needs. The optional **rear bench seat** with a three-part backrest offers a 40/20/40 split. The centre element can be folded down on its own or together with the outer element on the driver's side. The backrest is unlocked conveniently from the boot using controls to the left and right under the parcel shelf.



FOR EVEN GREATER COMFORT

On cold days, the **Warmth Comfort package** very rapidly ensures cosy warmth from all surfaces with which the driver and front passenger come into contact. The armrests on the centre console and the doors can be heated in addition to the seats.

With the optional **heated seats**, those sitting in the rear can enjoy a pleasant temperature according to their wishes in the shortest of time on cold days. Passengers on the outer rear seats are able to choose between three heating levels at the touch of a button. The heating is reduced and switched off automatically.

¹ Only in conjunction with AVANTGARDE, EXCLUSIVE or AMG Line.





Standard equipment.

Sporty elegance, sensual purity – the new E-Class's pedigree is already evident in its standard configuration. With high-quality equipment and details in chrome and aluminium. And with the AGILITY CONTROL suspension it makes a special impression on all roads.

EXTERIOR HIGHLIGHTS

Mercedes star on bonnet

Radiator trim with three louvres

Radiator grille with three-dimensional chrome frame, front slat bars and vertical strip in chrome, rear louvres in high-gloss black

Beltline trim strip in polished aluminium

10-spoke light-alloy wheels, painted in vanadium silver

AGILITY CONTROL suspension with selective damping system

Rear bumper with insert in black diffuser-look finish

INTERIOR HIGHLIGHTS

Appointments colour black

Seats with Marseille fabric upholstery in black

3-spoke multifunction steering wheel with Touch Control in black nappa leather

Brown special-effect paint trim

Upper part of dashboard in black with a soft, grained finish

Roof liner in crystal grey Marseille fabric

Door centre panels and beltlines in black with soft-touch surface



More extrovert. AVANTGARDE.

This equipment line demonstrates your extravagant leanings. The distinctive front bumper immediately attracts attention, while design elements in chrome and aluminium add dynamic highlights. With three extravagant colour concepts, the interior offers plenty of scope for individual expression.

HIGHLIGHTS OF THE AVANTGARDE LINE AT A GLANCE

Dynamic front bumper with chrome trim and air intakes with diamond mesh, each in a grained black finish

Radiator trim with chrome surround, integral Mercedes star and two louvres in matt iridium silver with chrome inserts

Side skirts painted in vehicle colour with chrome inserts

Window surround and beltline trim strip in polished aluminium

Rear bumper with insert in black diffuser-look finish and chrome trim

Exhaust system with two tailpipe trims integrated into the bumper

AGILITY CONTROL suspension with lowering function

Three colour concepts: black, nut brown/black, macchiato beige/black

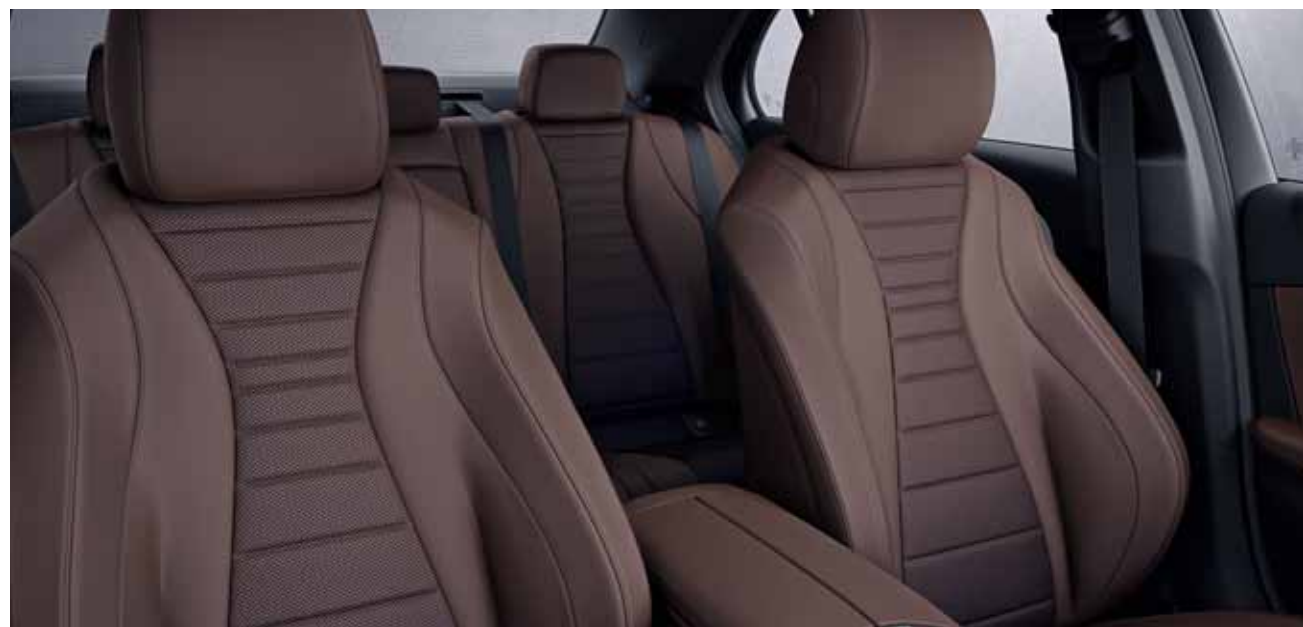
Comfort-oriented sports seats with horizontal quilting on the seat cushions

Upholstery: ARTICO man-made leather/Norwich fabric in black, nut brown or macchiato beige

3-spoke multifunction steering wheel in black nappa leather

Ambient lighting with 64 light colours

Trapezium-grain aluminium trim





More luxurious. EXCLUSIVE.

Or, as we put it: modern luxury in exquisite form. The EXCLUSIVE line lives up to its name from any angle. Its hallmarks are the classic radiator grille and the Mercedes star on the bonnet. The style-defining interior offers three attractive colour concepts and features extensive use of trim in light brown open-pore ash wood.

HIGHLIGHTS OF THE EXCLUSIVE LINE AT A GLANCE

Three colour concepts: black, nut brown/espresso brown, macchiato beige/espresso brown

Leather/Valence fabric upholstery in black, nut brown or macchiato beige

Comfort seat with vertical stitching on the seat surfaces

3-spoke multifunction steering wheel in black or espresso brown nappa leather, galvanised inner bezel

Upper part of dashboard and beltlines in black or espresso brown ARTICO man-made leather with contrasting topstitching

Ambient lighting with 64 light colours

Specific front bumper with chrome trim and air intakes with high-gloss black louvres

Radiator cowling with three louvres, radiator grille with three-dimensional frame, front slat bar (twin louvre) and vertical strip in chrome

Side skirts painted in vehicle colour with chrome inserts

Window surround and beltline trim strip in polished aluminium

Rear bumper with insert in black diffuser-look finish and chrome trim







More intense. AMG Line Exterior and Interior.

The optional AMG Line conveys a dynamic sense of urgency. With the specific AMG front apron featuring striking air intakes and the AMG rear apron in diffuser look with chrome trim strip. The sporty, dynamic interior comes in a choice of two fascinating colour concepts: black or saddle brown/black.

HIGHLIGHTS OF THE AMG LINE EXTERIOR

AMG front apron with chrome trim strip, air intakes each with two louvres at the sides, AMG side sill panels and AMG rear apron

AMG 5-twin-spoke light-alloy wheels, painted in titanium grey with a high-sheen finish, with 245/40 R 19 front tyres and 275/35 R 19 rear tyres

Perforated front brake discs and front brake callipers with "Mercedes-Benz" lettering

AGILITY CONTROL suspension with selective damping system and lowering by 15 mm

HIGHLIGHTS OF THE AMG LINE INTERIOR

Sports seats with horizontal quilting of the seat cushions and sporty backrest contour for enhanced lateral support

ARTICO man-made leather/DINAMICA microfibre upholstery in black or optionally in saddle brown/black nappa leather

3-spoke multifunction sports steering wheel in black nappa leather, with flattened bottom section and heavily embossed centre grip areas

Upper part of dashboard in black ARTICO man-made leather with topstitching and trapezium-grain aluminium trim

AMG brushed stainless steel sports pedals



More stylish. The Night package.

The optional Night package underscores the character of the new E-Class with striking design elements in black. For an emphatically sporty appearance based on the AMG Line Exterior or the AVANTGARDE exterior.

HIGHLIGHTS AT A GLANCE

Radiator trim with integral Mercedes star and two louvres in high-gloss black

Front bumper with trim in high-gloss black in conjunction with AVANTGARDE exterior

AMG front apron with trim in high-gloss black in conjunction with AMG Line Exterior

5-twin-spoke light-alloy wheels, painted in black and featuring a high-sheen finish, optionally 6-spoke light-alloy wheels, painted in black and featuring a high-sheen finish (in conjunction with AVANTGARDE exterior)

AMG 5-twin-spoke light-alloy wheels, painted in black and featuring a high-sheen finish, optionally AMG multi-spoke light-alloy wheels, painted in black and featuring a high-sheen finish (in conjunction with AMG Line Exterior)

Exterior mirror housings in high-gloss black

Beltline trim strip and window weatherstrip in high-gloss black

Heat-insulating dark-tinted glass from the rear doors onwards

More personal. The designo interior.

Follow your intuition and go for an exclusive setting. The optional designo interior conjures up a special ambience in the new E-Class. Comfort seats sporting the “designo” badge, upholstered in fine designo nappa leather in macchiato beige/saddle brown featuring a diamond pattern, perforation on the seat surfaces and silk beige topstitching. The armrests are finished in designo nappa leather. Door centre panels in macchiato beige ARTICO man-made leather with topstitching. Uniquely stylish details: trim in high-gloss brown burr walnut wood, or optionally in designo magnolia wood flowing lines in brown or designo piano lacquer flowing lines in black, for example.

HIGHLIGHTS AT A GLANCE

Luxury seat with seat back and cushion in a diamond design with perforations

Upholstery in designo nappa leather in macchiato beige/saddle brown with silk beige topstitching

Upper part of dashboard and beltlines in designo nappa leather in saddle brown with silk beige topstitching

Door centre panels in macchiato beige ARTICO man-made leather with topstitching

Armrests in the doors and the centre console in designo nappa leather in macchiato beige with topstitching

Fabric roof liner in macchiato beige

3-spoke multifunction steering wheel in macchiato beige nappa leather with silk beige topstitching





Your measure of all things. The optional equipment.

The new E-Class defines our vision of an automobile that represents the best right down to the smallest details. With an exclusive selection of equipment options celebrating modern luxury. Find your individual expression – in this catalogue, by reference to the price list or online. You can configure your new E-Class just as you wish at www.mercedes-benz.com



HIGHLIGHTS AT A GLANCE

- 1 Wood/leather **multifunction steering wheel** with brown high-gloss burl walnut wood inserts.
- 2 The **Memory package** is especially convenient if the vehicle is used by more than one person. Up to three different positions for the power front seats, steering column and exterior mirrors can be stored and retrieved at the touch of a button.
- 3 With **KEYLESS-GO** incorporating a convenience closing feature, the vehicle can be started simply by having on your person the electronic key on which the access and drive authorisation functions are stored. The driver simply holds the brake pedal and presses the start-stop button.
- 4 In addition to their distinctive visual appeal, the **LED high-performance headlamps** boost night-time driving safety thanks to broad light distribution, a daylight-simulating colour temperature and low energy consumption.
- 5 With its large glazed surfaces the optional **panoramic sliding sunroof** ensures a particularly light and pleasant interior ambience. It consists of a fixed panoramic glass rear section and an electrically operated sliding glass front section for ventilation of the interior as required.

First-class. Genuine accessories.

Genuine accessories heighten the unique feeling of driving a Mercedes-Benz. Each accessory has been developed especially for the new E-Class. Discover the full range at www.mercedes-benz-accessories.com

ACCESSORIES HIGHLIGHTS

- 1 **Pre-installation for Entertainment and Comfort.** A tilting, swivelling bracket enables your iPad® to be placed in both a vertical and a horizontal position. Your iPad® is charged automatically when inserted in the bracket. Charging facility for other devices via USB interface and separately available charging cable.
- 2 The car's exclusive appearance is highlighted by **5-spoke light-alloy wheels**, surface finish: tremolite metallic, high-sheen. Fitted with 8 J x 18 ET43/245/45 tyres at the front and 9 J x 18 ET53/275/40 tyres at the rear.
- 3 Discreet **rear spoiler** fitted on the boot lid, accentuating the air flow break-away edge at the rear. A high-quality base coat for the **roof spoiler and rear spoiler** enables a paint finish in the colour of your choice. The impression of a longer roof lends the rear area a dynamic appearance.
- 4 Aluminium **basic carrier bars** tailored exactly to the vehicle's body as the basis for transport solutions: ski and snowboard carrier, cycle rack or roof boxes. Crash-tested. Lockable.
- 5 Lockable **rear-mounted cycle rack** for the safe transportation of up to three bicycles. Maximum load of up to 30 kg per bicycle rail. It remains possible to open the boot. The rack is conveniently collapsible for space-saving storage.



2 3
4 5



60



55R



R07



R43



R10



02R



R24



R31



04R

Wheels.

We have reinvented the car and perfected the wheel. You will find it all the easier to find a wheel befitting your new E-Class. Make your choice from this inspiring selection.

STANDARD EQUIPMENT AND OPTIONAL EXTRAS

55R 10-spoke light-alloy wheels, painted in vanadium silver, with 205/65 R 16 tyres (standard for E 220 d and E 200)

02R 5-spoke light-alloy wheels, painted in vanadium silver, with 225/55 R 17 tyres (part of AVANTGARDE exterior)

R07 5-twin-spoke light-alloy wheels, painted in vanadium silver, with 225/55 R 17 tyres (part of EXCLUSIVE exterior for E 220 d, E 200)

R24 5-spoke light-alloy wheels, painted in tremolite grey and featuring a high-sheen finish, with 225/55 R 17 tyres (option for E 220 d, E 200 in conjunction with AVANTGARDE exterior)

R43 10-spoke light-alloy wheels, painted in Himalayas grey and featuring a high-sheen finish, with 225/55 R 17 tyres (option for E 220 d, E 200, not in conjunction with AMG Line Exterior)

R31 5-spoke light-alloy wheels, painted in tremolite grey and featuring a high-sheen finish, with 245/45 R 18 tyres (option in conjunction with AVANTGARDE exterior)

R10 5-twin-spoke light-alloy wheels, painted in black and featuring a high-sheen finish, with 245/45 R 18 tyres (part of AVANTGARDE exterior in conjunction with Night package)

04R Multi-spoke light-alloy wheels, painted in black and featuring a high-sheen finish, with 245/45 R 18 tyres (option)



22R



R97



RTD



RVQ



48R



17R



RTE



RVR

22R 5-twin-spoke light-alloy wheels, painted in tremolite grey and featuring a high-sheen finish, with 245/45 R 18 front tyres and 275/40 R 18 rear tyres (option)

48R 5-spoke light-alloy wheels, painted in tremolite grey and featuring a high-sheen finish, with 245/40 R 19 tyres (option)

R97 10-spoke light-alloy wheels, painted in tremolite grey and featuring a high-sheen finish, with 245/40 R 19 front tyres and 275/35 R 19 rear tyres (option)

17R Multi-spoke light-alloy wheels, painted in Himalayas grey and featuring a high-sheen finish, with 245/35 R 20 front tyres and 275/30 R 20 rear tyres (option in conjunction with AMG Line Exterior)

AMG

RTD AMG 5-twin-spoke light-alloy wheels, painted in titanium grey and featuring a high-sheen finish, with 245/40 R 19 front tyres and 275/35 R 19 rear tyres

RTE AMG 5-twin-spoke light-alloy wheels, painted in high-gloss black and featuring a high-sheen finish, with 245/40 R 19 front tyres and 275/35 R 19 rear tyres (part of AMG Line Exterior in conjunction with Night package)

RVQ AMG multi-spoke light-alloy wheels, painted in titanium grey and featuring a high-sheen finish, with 245/35 R 20 front tyres and 275/30 R 20 rear tyres

RVR AMG multi-spoke light-alloy wheels, painted in high-gloss black and featuring a high-sheen finish, with 245/35 R 20 front tyres and 275/30 R 20 rear tyres (option)

ADDITIONAL WHEELS

are to be found in our accessories range at www.mercedes-benz-accessories.com

Technical data.

No. of cylinders/arrangement
Total displacement in cc
Rated output ¹ in kW (hp) at rpm
Rated torque ¹ in Nm at rpm
Transmission
Acceleration from 0 to 100 km/h in s
Top speed, approx. in km/h
Tyre size – front axle, rear axle
Fuel
Fuel consumption ³ in l/100 km
Urban
Extra-urban
Combined
CO ₂ emissions ³ in g/km, combined
Emission class ⁴ /efficiency class ⁵
Tank capacity, of which reserve, approx. in l
Boot capacity ⁶ in l
Turning circle diameter in m
Kerb weight ⁷ in kg
Perm. GVW in kg
Length ⁸ /width incl. mirrors ⁸ in mm
Wheelbase ⁸ in mm
Track width, front ⁸ /rear ⁸ in mm

DIESEL ENGINES

	E 220 d	E 350 d
No. of cylinders/arrangement	4/in-line	6/V
Total displacement in cc	1950	2987
Rated output ¹ in kW (hp) at rpm	143 (194)/3800	190 (258)/3400
Rated torque ¹ in Nm at rpm	400/1600–2800	620/1600–2400
Transmission	9G-TRONIC	9G-TRONIC
Acceleration from 0 to 100 km/h in s	7.3	5.9
Top speed, approx. in km/h	240	250 ²
Tyre size – front axle, rear axle	205/65 R 16	225/55 R 17
Fuel	Diesel	Diesel
Fuel consumption ³ in l/100 km		
Urban	4.7–4.3	6.6–6.3
Extra-urban	4.1–3.6	4.9–4.4
Combined	4.3–3.9	5.5–5.1
CO ₂ emissions ³ in g/km, combined	112–102	144–133
Emission class ⁴ /efficiency class ⁵	Euro 6/A+	Euro 6/A
Tank capacity, of which reserve, approx. in l	50/7.0	50/7.0
Boot capacity ⁶ in l	540	540
Turning circle diameter in m	11.60	11.60
Kerb weight ⁷ in kg	1680	1800
Perm. GVW in kg	2320	2440
Length ⁸ /width incl. mirrors ⁸ in mm	4923/2065	4923/2065
Wheelbase ⁸ in mm	2939	2939
Track width, front ⁸ /rear ⁸ in mm	1616/1619	1600/1603

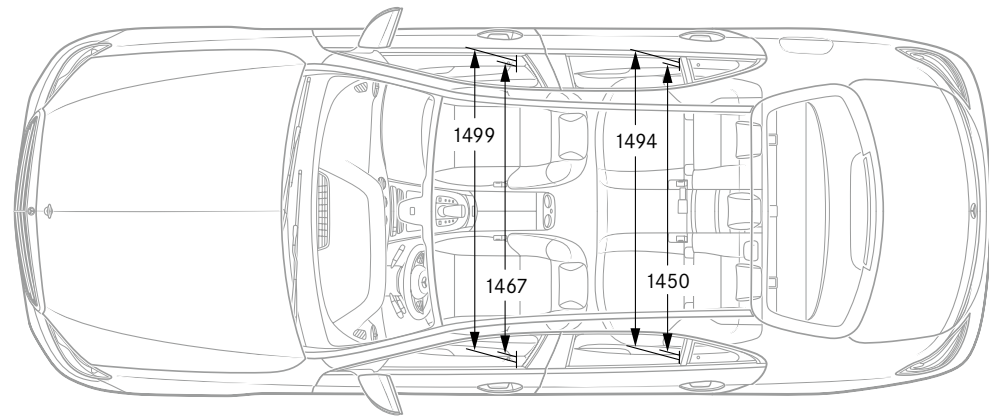
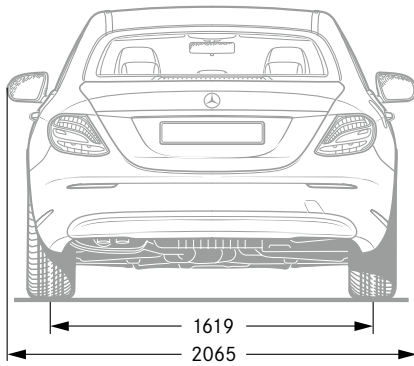
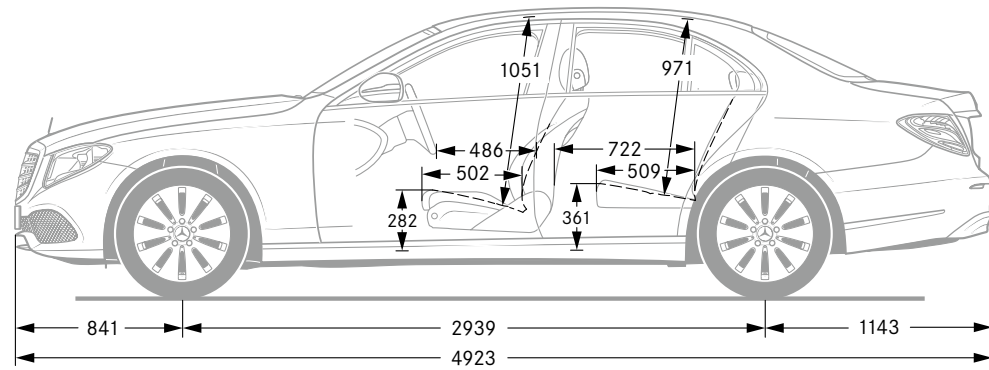
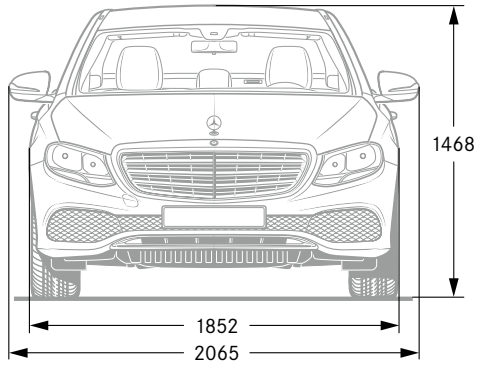
The best for the engine:
Mercedes-Benz genuine engine oils.

¹ Figures for rated output and rated torque in accordance with Regulation (EC) no. 595/2009 in its currently applicable version. ² Electronically limited. ³ The stated figures for fuel consumption and CO₂ emissions were determined according to the stipulated measuring method (Section 2, nos. 5, 6, 6a of the German Ordinance on Fuel Consumption Labelling (Pkw-EnVKV) as amended). The figures are not based on an individual model and do not constitute part of the product offer; they are provided solely for purposes of comparison between the different vehicle models. ⁴ Data applicable within the European Union only. May vary from

	PETROL ENGINE
	E 200
No. of cylinders/arrangement	4/in-line
Total displacement in cc	1991
Rated output ¹ in kW (hp) at rpm	135 (184)/5500
Rated torque ¹ in Nm at rpm	300/1200–4000
Transmission	9G-TRONIC
Acceleration from 0 to 100 km/h in s	7.7
Top speed, approx. in km/h	240
Tyre size – front axle, rear axle	205/65 R 16
Fuel	Premium petrol
Fuel consumption ³ in l/100 km	
Urban	8.0–7.6
Extra-urban	5.3–4.9
Combined	6.3–5.9
CO ₂ emissions ³ in g/km, combined	142–132
Emission class ⁴ /efficiency class ⁵	Euro 6/B
Tank capacity, of which reserve, approx. in l	50/7.0
Boot capacity ⁶ in l	540
Turning circle diameter in m	11.60
Kerb weight ⁷ in kg	1605
Perm. GVW in kg	2245
Length ⁸ /width incl. mirrors ⁸ in mm	4923/2065
Wheelbase ⁸ in mm	2939
Track width, front ⁸ /rear ⁸ in mm	1616/1619

country to country. ⁵ Determined on the basis of the measured CO₂ emissions, taking into account the mass of the vehicle. ⁶ Figures in accordance with Directive 2007/46/EC in its currently applicable version. ⁷ Kerb weight figures in accordance with Directive 92/21/EC in its currently applicable version (mass in running order, fuel tank 90%, with driver, 68 kg, and luggage, 7 kg) for standard-specification vehicles. Optional extras and accessories normally increase this figure, thereby reducing the payload accordingly. ⁸ The stated dimensions are average values. They apply to standard-equipment vehicles in an unladen state. Further technical data can be found at www.mercedes-benz.com

Dimensions.



All dimensions in millimetres. The dimensions shown are mean values and apply to standard-specification, unladen vehicles.

Upholstery and trim.

Upholstery

- 001 Marseille fabric in black
- 101 ARTICO man-made leather in black¹
- 201 Leather in black¹
- 214 Leather in nut brown/black¹
- 215 Leather in macchiato beige/black¹
- 301 ARTICO man-made leather/Norwich fabric in black
- 314 ARTICO man-made leather/Norwich fabric in nut brown/black
- 315 ARTICO man-made leather/Norwich fabric in macchiato beige/black
- 401 Leather/Valence fabric in black
- 414 Leather/Valence fabric in nut brown/espresso brown
- 415 Leather/Valence fabric in macchiato brown/espresso brown
- 601 ARTICO man-made leather/DINAMICA microfibre in black
- 801 Nappa leather in black¹
- 811 Nappa leather in black¹
- 814 Nappa leather in nut brown/espresso brown¹
- 815 Nappa leather in macchiato beige/espresso brown¹
- 824 Nappa leather in saddle brown/black¹
- 961 Two-tone designo nappa leather in black/titanium grey pearl¹
- 975 Two-tone designo nappa leather in macchiato beige/saddle brown¹

Trim

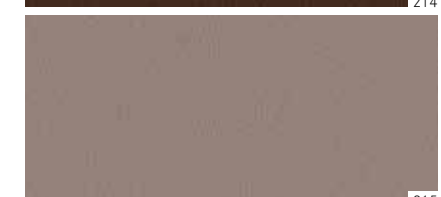
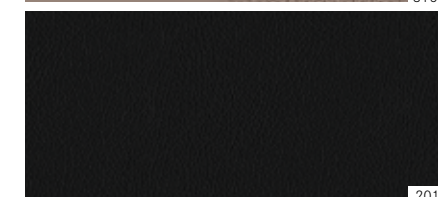
- H80 Special-effect paint, brown
- 739 Aluminium with trapezium grain^{1,2}
- H09 Open-pore ash wood in light brown^{1,3}
- 736 Open-pore ash wood in black^{1,4}
- 731 Burr walnut in high-gloss brown^{1,4}
- H26 designo magnolia wood flowing lines in brown¹
- H16 designo piano lacquer flowing lines in black¹
- H06 Ash wood in high-gloss brown¹
- H64 Metal weave¹

¹ Optional extra. ² Standard for AVANTGARDE and AMG Line. ³ Standard for EXCLUSIVE. ⁴ Standard for designo.

Standard equipment



AVANTGARDE



001

101

301

314

315

401

414

415

201

214

215

EXCLUSIVE



401



414



415



801



814



815

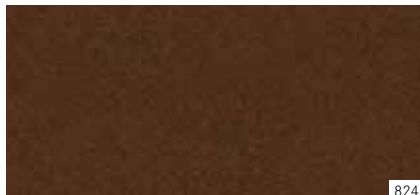
AMG Line



601



811



824

designo



961



975

Trim



H80



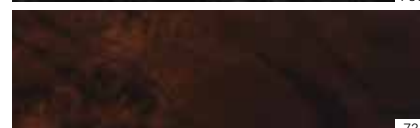
739



H09



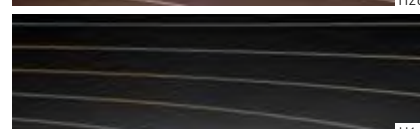
736



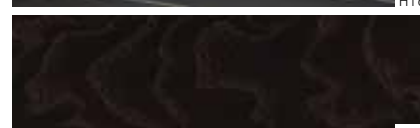
731



H26



H16



H06



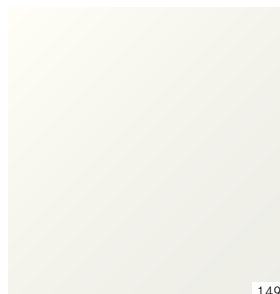
H64

Paintwork.

Non-metallic paints



040



149

Metallic paints¹



197



775



988



992



796



997

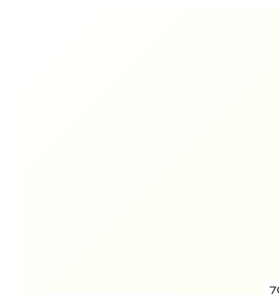


890

designo paints¹



297



799



996

Non-metallic paints

- 040 black
149 polar white

Metallic paints¹

- 197 obsidian black
775 iridium silver
796 citrine brown
890 cavansite blue
988 diamond silver
992 selenite grey
997 kallaite green

designo paints¹

- 297 designo selenite grey magno
799 designo diamond white bright
996 designo hyacinth red metallic
-

¹ Optional items. Additional individual designo paint finishes are available from your Mercedes-Benz Dealer.



Mercedes-Benz is one of the founding partners of the “Laureus Sport for Good Foundation”.

Since the foundation was established in 2000, Mercedes-Benz has been supporting and promoting the aims and values of this worldwide non-profit-making programme: to use social sports projects to improve the lives of children and young people who are disadvantaged or suffering from illness. Laureus has become a fundamental element of Mercedes-Benz’s social responsibility. Every new Mercedes is an ambassador embodying these values. In buying a Mercedes you are supporting the “Laureus Sport for Good Foundation”.

Please note: changes may have been made to the product since going to press (17.11.2015). The manufacturer reserves the right during the delivery period to make changes to the design, form, colour or specification, provided these changes, while taking into account the interests of the vendor, can be deemed reasonable with respect to the purchaser. Where the vendor or the manufacturer uses symbols or numbers to describe an order or the subject of an order, no rights may be derived solely from these. The illustrations may include accessories and optional extras which do not form part of the standard specification. Actual colours may differ slightly from those shown owing to the limitations of the printing process. This brochure is distributed internationally. Information given regarding statutory regulations, legal requirements and taxation and the consequences thereof applies to the Federal Republic of Germany only and is correct at the time of going to press. For current and more specific information in relation to the range of models, features, optional extras, colours and/or services available in your country, and their pricing, you should contact your nearest authorised Mercedes-Benz Passenger Car Dealer.

www.mercedes-benz.com

Take-back of end-of-life vehicles. We will be pleased to take back your E-Class for environment-friendly disposal in accordance with the EC End-Of-Life Vehicle Directive – but that day lies a long way off.

A network of vehicle take-back depots and dismantlers has been established to make it as easy as possible for you to return your vehicle. You can leave it at any of these points free of charge and, by so doing, make an important contribution to completing the recycling process and conserving resources.

For further information about the recycling and disposal of end-of-life vehicles and take-back conditions, please visit your national Mercedes-Benz website.