



G-Class Professional

August 2016

Mercedes-Benz

The best or nothing.





Durability, reliability, lasting value. Just a few of the exceptional traits that make us so proud of the G-Class.

Each individual cross-country vehicle is practically hand-built, as only the hands, minds and hearts of experienced professionals can ensure the special qualities for which this classic vehicle is renowned. The extremely robust frame of the “G”, comprising sheet-steel sections with a thickness of up to 4 mm, is held together by over 6400 manually applied welds.

The frame is surface-treated and waxed, while the vehicle floor features an additional plastic coating. And all the detachable body parts are meticulously primed and finished with several coats of paint. This means that the “G” can easily withstand a multitude of environments.







G-Class Professional tailored to meet a customer specification shown

A professional approach requires great drive.
Smooth and powerful: The CDI diesel engine with
automatic transmission.

As well as being an impressive performer, the high-torque diesel engine is highly economical. Seldom has a genuine off-roader provided such a compelling mix of power and efficiency. Direct fuel injection comes courtesy of an optimised common-rail injection system, which ensures low fuel consumption. The required injection pressure is always available in a central fuel line when the engine is running. It is stored in the line and supplied to individually controlled valves as and when required.

Although you do not see much of this process, you are sure to notice the benefits: a quiet and extremely powerful engine offering an impressive output, even at low revs, slow speeds on rough terrain and on extreme up-hill gradients.





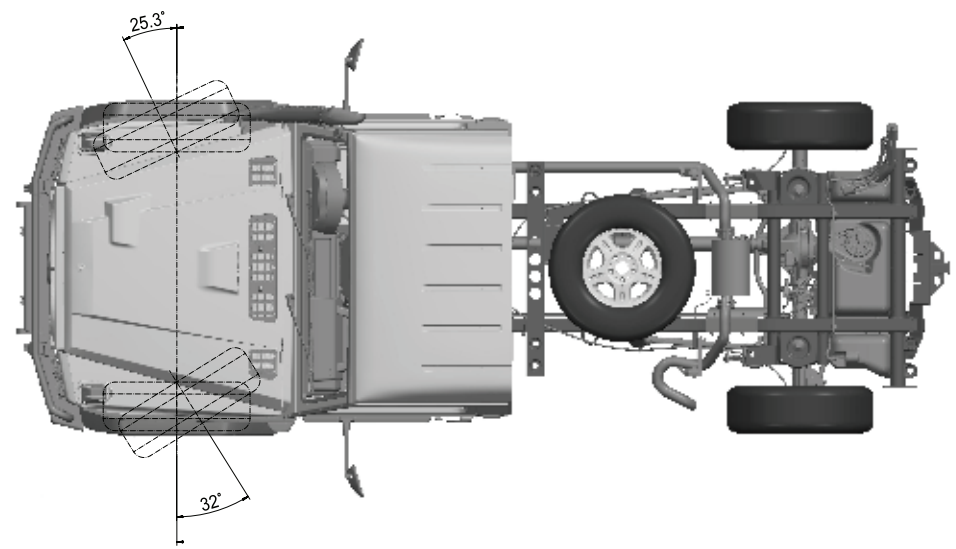
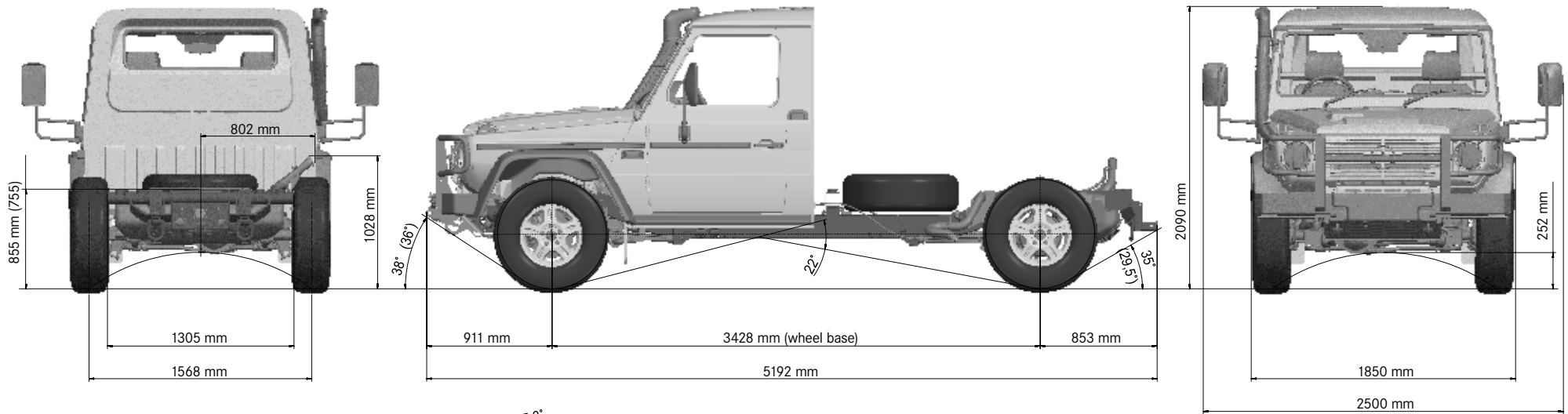
**Equally at home on or off the road. No matter what.
The off-road capability of the G-Class Professional.**

Impressive output alone is not enough to drive you forward. High levels of power need to be harnessed and intelligently controlled. The G-Class meets this challenge head-on with its perfectly harmonized, standard-specification driving systems. Its legendary off-road expertise is largely down to two precisely located rigid axles with high torsional flexing, long spring travel, permanent all-wheel drive, the synchromesh transfer case and three 100% differential locks.

The three differential locks can be individually selected in a logical preset sequence during the journey for optimum off-road performance. If one of the wheels loses traction, the force is distributed to the wheels that offer the best grip. Even the grip from a single wheel can provide enough traction for your G-Class Professional. In addition, by activating the low-range gearbox, e.g. “low-range” mode, you can ensure optimum traction even at low speeds. Your G-Class Professional can climb, clamber and tackle steep ascents. But, above all, it demonstrates what a high-performance off-roader really is. A strong combination that no other vehicle can offer.



G-Class Professional tailored to meet a customer specification shown





Powertrain

Engine type (capacity/layout)	2,987 / V6
Power (kW @ rpm)	135 @ 3,800
Torque (Nm @ rpm)	400 @ 1,600-2,600
Bore x Stroke (mm)	83 x 92
Fuel type	Diesel
Fuel tank	96L
Transmission	5-Speed Automatic
Distribution	Four wheel drive (4x4)
Differential locks	Front/Centre/Rear
Low Range (Ratio)	H: 0.87 L: 2.16

Weights and Capacities

Unladen weight (kg)	2,346
Payload (kg)	2,085
Gross Vehicle Mass (GVM) (kg)	4,490

Towing

Braked (kg)	2,210
Unbraked (kg)	750
Downball (kg)	150

Dimensions

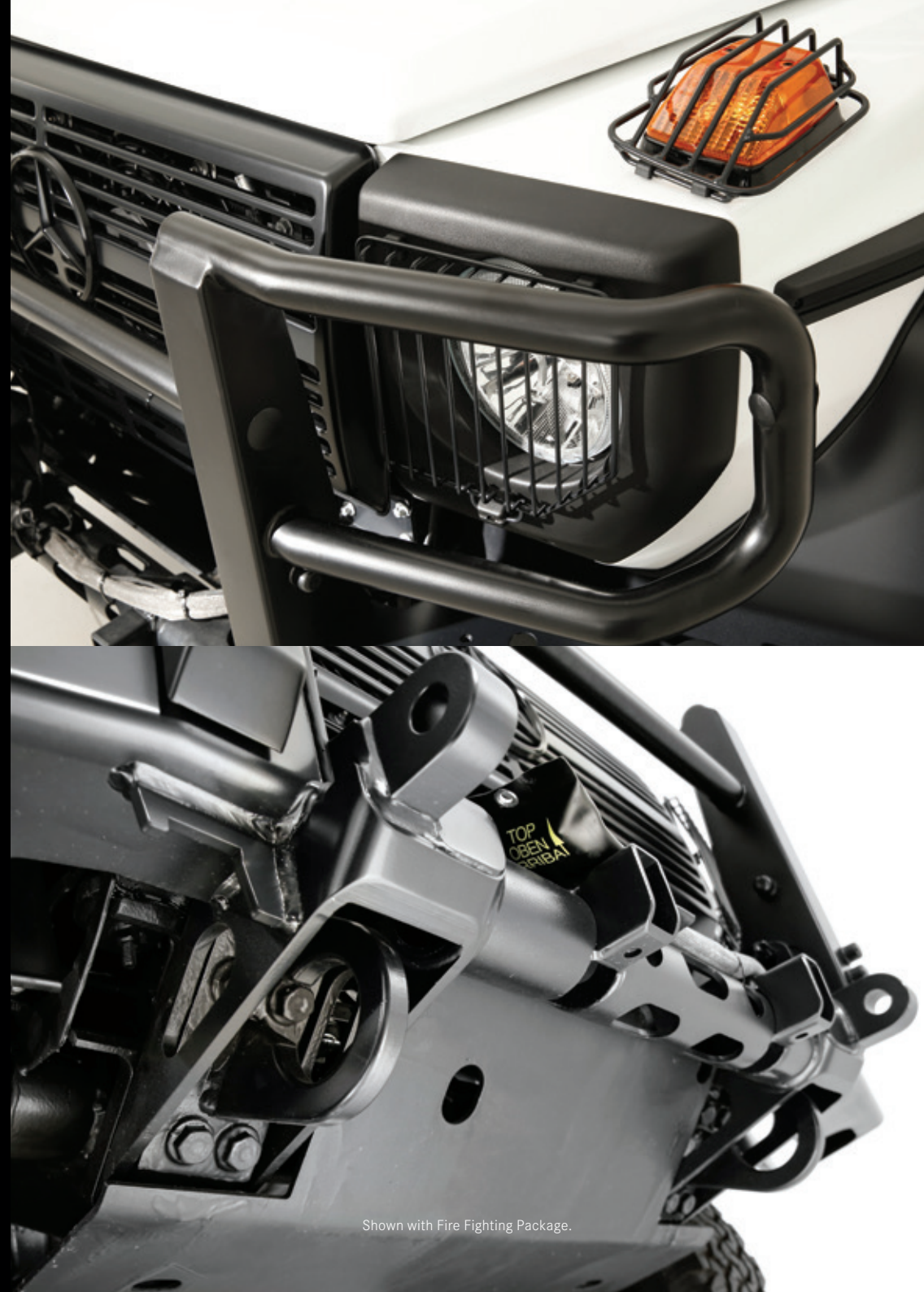
Length (mm)	5,192
Width (mm)	2,500
Height (mm)	2,090
Wheelbase (mm)	3,428
Track (mm)	1,568

Off-Road capability

Approach (°)	38
Departure (°)	35
Brake over angle (°)	22
Ground clearance (mm)	252
Fording depth (mm)	650
Slope climb ability (%)	80
Lateral slope (%)	54

Tyres and Rims

Tyres	265/75 R16 M+S
Rims	7.5J x 16



Shown with Fire Fighting Package.



Fording ability:
650 mm (fresh water)

Dual airbag for driver
and passenger

12V, battery 2 x 60Ah/400A

Pre-installation of the Vehicle
Data Monitoring System (VDMS)

Engine working
speed regulation

Anti-lock brake system (ABS) with
Electronic brake force distribution (EBD)

Light alloy rims 7.5J X 16" black

Electronic stability program (ESP)

3 Differential locks electronically
switchable during drive
(transfer case, front - and rear axle)

Reinforced chassis to
allow for 50 kN rated
recovery points

Bull bar capable of mounting winch,
allows the fitment of side steps
and brushguards

Pre-wiring for spot light, including factory switches on dashboard

Additional electrical circuit with 120A circuit breaker, plus 2 connectors at the rear of the vehicle

Additional diesel hose for fuel take-off for a separate pump / generator

Total of 8 mounting points and 2 supporting points behind cabin for body module

Permissible front axle load: 2200 kg

Frame modified for gross vehicle weight up to 4490 kg

Tank volume approx. 96 liters, 20 liters reserve

Permissible rear axle load: 2800 kg

Square bracket for mounting a trailer hook with 7-pin metal socket for trailer





This Brochure is prepared by Mercedes-Benz Australia/Pacific Pty Ltd

The manufacturer reserves the right to make changes to the design, form, colour and specification during the delivery period, provided these changes, while taking into account the interests of the vendor, can be deemed reasonable with respect to the purchaser. Where the vendor or the manufacturer uses symbols or numbers to describe an order or the subject of an order, no rights may be derived solely from these. The illustrations may show accessories and items of optional equipment which are not part of standard specification. The illustrations and photos may also show test vehicles or vehicles with special bodies supplied by external body manufacturers which are not part of standard specification and are not available for purchase as optional extras. Colours may differ slightly from those shown in the brochure, owing to the limitations of the printing process. To obtain current and accurate information on a vehicle and any options applicable to Australia, contact mbaup_corporatesupport@daimler.com

