



Aftermarket fitout shown, available at additional cost.

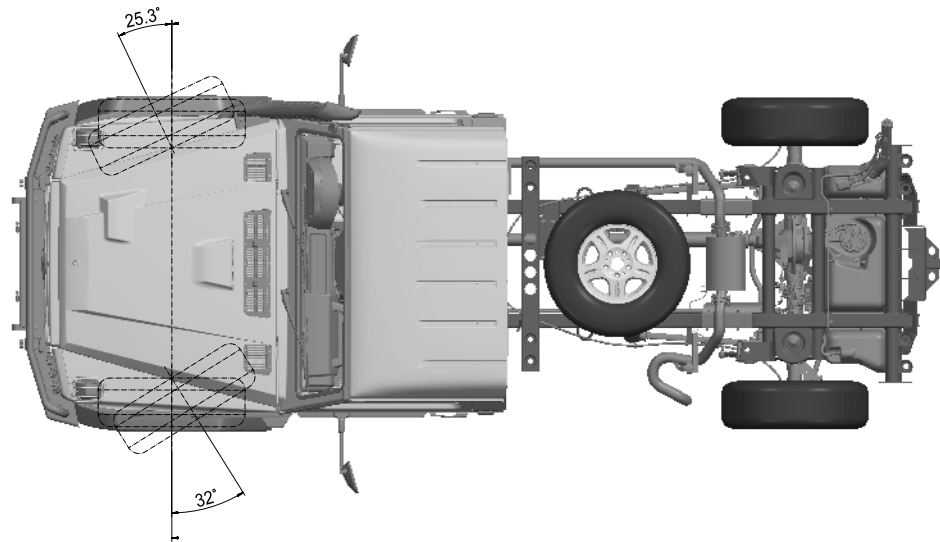
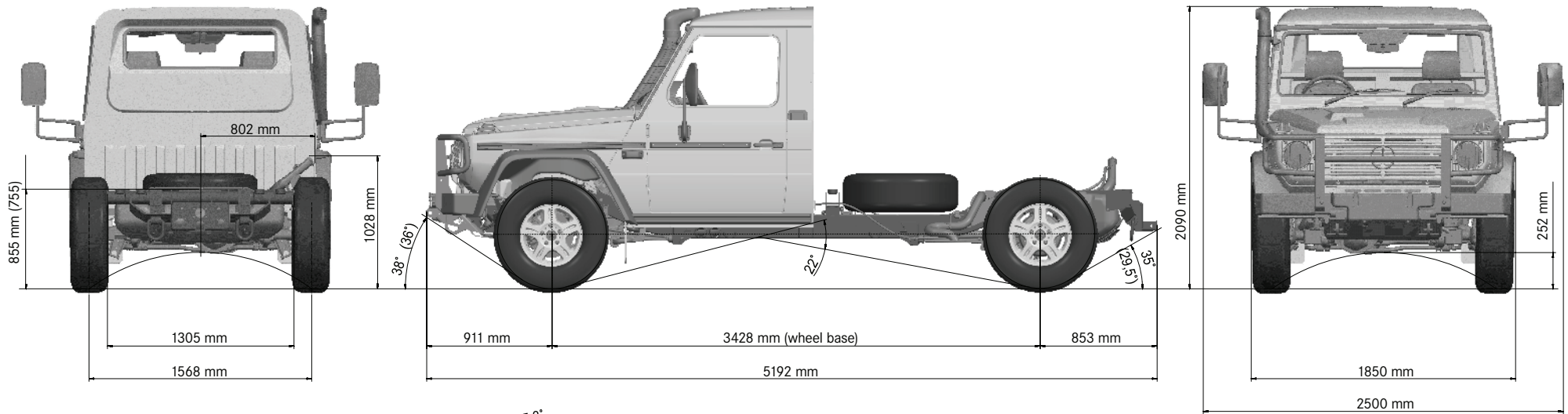
G-Professional

December 2016

Mercedes-Benz

The best or nothing.





Powertrain

Engine type (capacity/layout)	2,987 / V6
Power (kW @ rpm)	135 @ 3,800
Torque (Nm @ rpm)	400 @ 1,600-2,600
Bore x Stroke (mm)	83 x 92
Fuel type	Diesel
Fuel tank	96L
Transmission	5-Speed Automatic
Transmission ratios (1st 2nd 3rd 4th 5th)	3.59 2.19 1.41 1.00 0.83
Transmission ratios reverse (1st 2nd)	-3.16 -1.93
Low range ratio (High Low)	0.87 2.16
Final drive	5.29
Distribution	Four wheel drive (4x4)
Differential locks	Front/Centre/Rear

Weights and Capacities

Unladen weight (kg)	2,410
Gross Vehicle Mass (GVM) (kg)	4,490

Towing

Braked (kg)	2,210
Unbraked (kg)	750
Downball (kg)	150

Dimensions

Length (mm)	5,192
Width (mm)	2,500
Height (mm)	2,090
Wheelbase (mm)	3,428
Track (mm)	1,568

Off-Road capability*

Approach (°)	38
Departure (°)	35
Brake over angle (°)	22
Ground clearance (mm)	252
Fording depth (mm)	650
Slope climb ability (%)	80
Lateral slope (%)	54

Tyres and Rims

Tyres	265/75 R16 All Terrain
Rims	7.5J x 16

*Aftermarket body dependent



Dual airbag for driver and passenger

12V, battery 2 x 60Ah/400A

Fording ability:
650 mm (fresh water)

Pre-installation for a CANBus vehicle monitoring system

Engine working speed regulation

Anti-lock brake system (ABS) with Electronic brake force distribution (EBD)

Light alloy rims 7.5J X 16" black

Electronic stability program (ESP)

Reinforced chassis to allow for 50 kN rated recovery points

3 Differential locks electronically switchable during drive (transfer case, front and rear axle)

Bull bar capable of mounting winch, allows the fitment of side steps and brushguards

Pre-wiring for spot light, including factory switches on dashboard

Additional electrical circuit with 120A circuit breaker, plus 2 connectors at the rear of the vehicle

Total of 8 mounting points

Additional diesel hose for fuel take-off for a separate pump / generator

Permissible front axle load: 2,200 kg

Frame modified for gross vehicle weight up to 4,490 kg

Tank volume approx. 96 litres

Square bracket for mounting a trailer hook with 7-pin metal socket for trailer

Permissible rear axle load: 2,800

Shown with Optional Body Building Package and Optional Winch Preparation Package





This brochure is prepared by Mercedes-Benz Australia/Pacific Pty Ltd. Published December 2016

The manufacturer reserves the right to make changes to the design, form, colour and specification during the delivery period, provided these changes, while taking into account the interests of the vendor, can be deemed reasonable with respect to the purchaser. Where the vendor or the manufacturer uses symbols or numbers to describe an order or the subject of an order, no rights may be derived solely from these. The illustrations may show accessories and items of optional equipment which are not part of standard specification. The illustrations and photos may also show test vehicles or vehicles with special bodies supplied by external body manufacturers which are not part of standard specification and are not available for purchase as optional extras. Colours may differ slightly from those shown in the brochure, owing to the limitations of the printing process. To obtain current and accurate information on a vehicle and any options applicable to Australia, contact your local authorised Mercedes-Benz dealer.

