

# A-Class Hatchback



Mercedes-Benz



# Hey Mercedes.

You know the feeling? You meet someone new and it seems as if you have known that person forever. That is kind of what it is like with the new A-Class. You have only been travelling together for a few days and it knows your peculiarities, your whims, what you like the most and what not at all. Almost better than you do yourself. The new A-Class and you suddenly become as one. So you can always be the way you are.

This Brochure is prepared by Daimler AG and it predominantly reflects the capabilities and performance of vehicles sold in Europe. Some characteristics, capabilities, performance features and optional extras (e.g. towing systems) may not be available or may not apply in Australia or under Australian conditions. The information in this Brochure is therefore indicative, illustrative and provided only for guidance and should not be relied on. To obtain current and accurate information on a vehicle and any options applicable to Australia, contact your local authorised Mercedes-Benz dealer. The declared fuel and energy consumption figures are determined by testing under standardised laboratory conditions to comply with ADR 81/02. Real world fuel consumption is influenced by many additional factors such as fuel quality, individual driving style, load, traffic, and vehicle condition. The declared fuel consumption figure should only be used for the purpose of comparison amongst vehicles







24.5°C

10:32

0 km/h

Call list

- Sandra K.
- Chris E.
- Marc W.



Search

Ellen

47

24/7 Cool  
Daniel R.

Phone  
Ellen's Phone

Mercedes me & Apps

21.0°C

SUGGESTIONS





# Can we talk?

Thanks to the completely new LINGUATRONIC, the new A-Class obeys you like never before. But it goes much further than that: It understands you without having to learn commands first. And it talks to you. Reading out text messages, or dictating one and sending it? No problem. It changes the radio station or takes you home on the fastest route. Two words are all it takes: "Hey Mercedes". And right away the new A-Class is all ears.

A dark grey Mercedes-Benz A-Class car is shown from a rear three-quarter view, parked on a city street. The car's sleek, aerodynamic lines are highlighted by the lighting. The background features a modern building with a grid of windows and a street lamp, creating an urban atmosphere.

Really looks  
good on you.

The lines of the new A-Class all follow one direction only: our design philosophy of sensual purity. Surfaces are even more puristic, details even more striking. Very neat, right?





START  
ENGINE  
STOP



# May we be of assistance?

That's what our new connectivity services are all about. Making life easier. Wireless, keyless, completely effortless – the new A-Class connects to everything that is important to you.



# Let's talk about trust.

The new A-Class caters to you more than you could have ever imagined. With Active Brake Assist, it can warn you in an event of an imminent collision or brake autonomously to protect you and other road users better in an emergency.









The new A-Class.







## Safety and assistants.

Protective instinct, cutting edge. You can trust its senses (it really has them) like no one else's. Even at high speeds. Thanks to Active Distance Assist DISTRONIC<sup>1</sup>, it can keep the vehicle ahead at a safe distance. Active Brake Assist can brake autonomously in an emergency. As a result, you feel safe and in good hands. Can a car do more for you?



Expected availability from the 4<sup>th</sup> quarter 2018. Various safety systems and features included in Mercedes-Benz vehicles are driver assistance aids only and the driver at all times remains solely responsible for maintaining proper control of the vehicle, ensuring safety and monitoring the driving environment and complying with all applicable road rules.





## Connectivity.

In the new A-Class, you can charge your smartphone by placing it in the centre console. Simple, without the need for cables and based on the Qi standard. And the best thing: Thanks to near-field communication (NFC), your smartphone immediately connects to the A-Class without the need for a lot of operating steps or having to constantly enter a code.



Wireless charging feature only compatible with devices that support the Qi standard. Check the compatibility of your device and vehicle in Australia at [www.mercedes-benz-mobile.com](http://www.mercedes-benz-mobile.com) with your device manufacturer.



## Wrap-around effect.

The interior of the new A-Class literally embraces the occupants. Smooth transitions between instrument panel, centre console and door trims create the pleasant wrap-around effect. This is just as unique in this category as the selection of trim elements and indirect lighting to show everything in the best light.

## Widescreen vision.

Here one glance says more than a thousand words. The interior of the new A-Class looks completely different and you will see things in a new light as a result. Not just on one, but on two high-resolution displays, extra large at 10.25 inch. In any case, the screens seem to be floating in space. They are also super easy to operate using the steering wheel, the touchpad or the touchscreen.

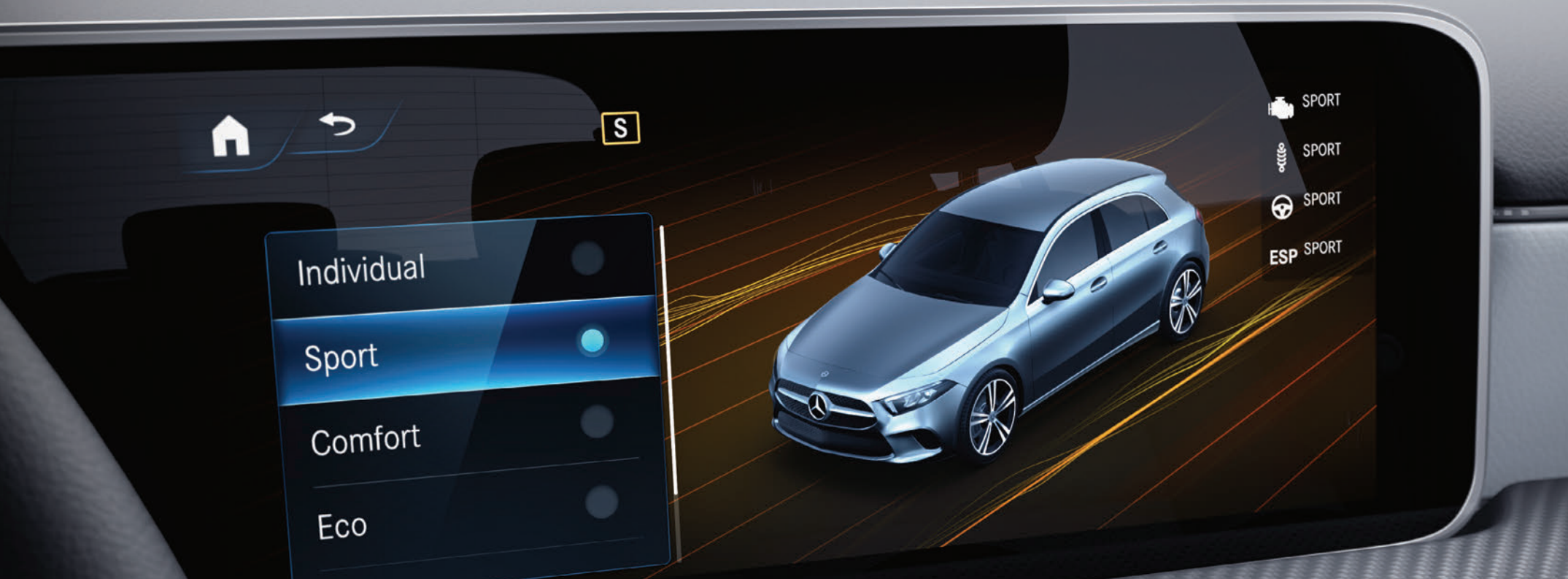


## Head-up display.

Eyes front is completely automatic with the head-up display in the new A-Class. Just one glance and you instantly know the speed, speed limits or navigation instructions. All relevant information is displayed in your field of vision. Virtually and in full colour. The position and content can be adapted and stored with the memory function. Yet something else you will no longer have to worry about in future.

## Theme worlds.

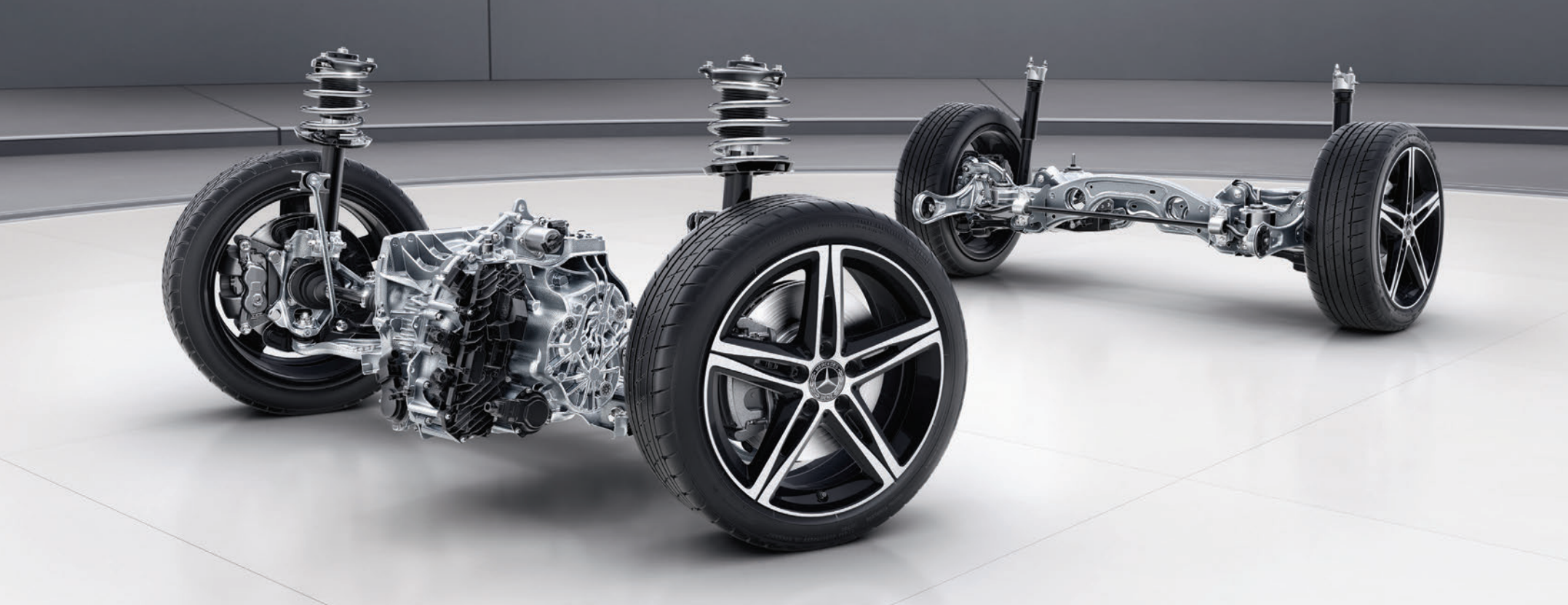
With the new A-Class, a little bit more is always possible. That is why you can adapt not only the ambient lighting to your mood, but the display styles in the instrument cluster and the central monitor as well. On a highly individual basis and intuitively, for example, with the left finger pad on the steering wheel.



## DYNAMIC SELECT.

Simply drive as you prefer. At the touch of a button, DYNAMIC SELECT offers different drive modes, which predetermine the settings for engine, transmission, suspension, and steering, for instance. With the Sport mode, you drive decidedly dynamically, and very balanced with the basic program Comfort. ECO, on the other hand, emphasises maximum efficiency and saves fuel and money.

The ECO drive mode gives you particularly comprehensive support when you want to reduce CO<sub>2</sub> and pollutants. The seat heating and air conditioning work with reduced output in this setting and thus also save valuable energy. With the Individual mode, you choose all the respective parameters yourself. This means that you can select a sporty setting for the powertrain and at the same time set the suspension to comfortable.



## Comfort suspension with lowering.

The comfort suspension offers you a dynamic total package. It makes the road-holding ability even more solid. The optional lowered comfort suspension of 15 millimetres works with specially tuned springs and dampers: with a deliberately sportier design than on the standard suspension.

Enjoy a performance promise and emotions already before you start moving. Because the vehicle visually hugs the road even more closely with the shortened spring travel.

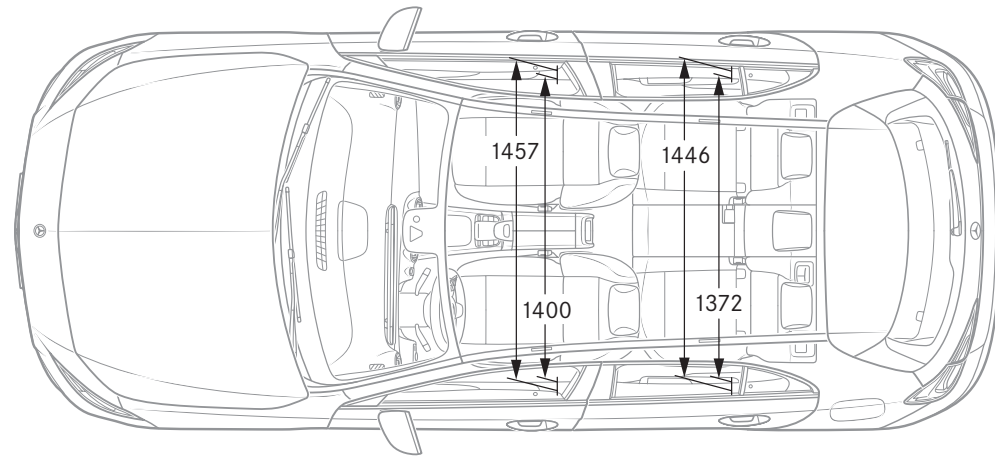
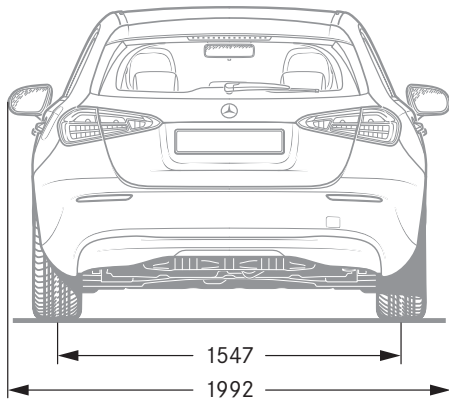
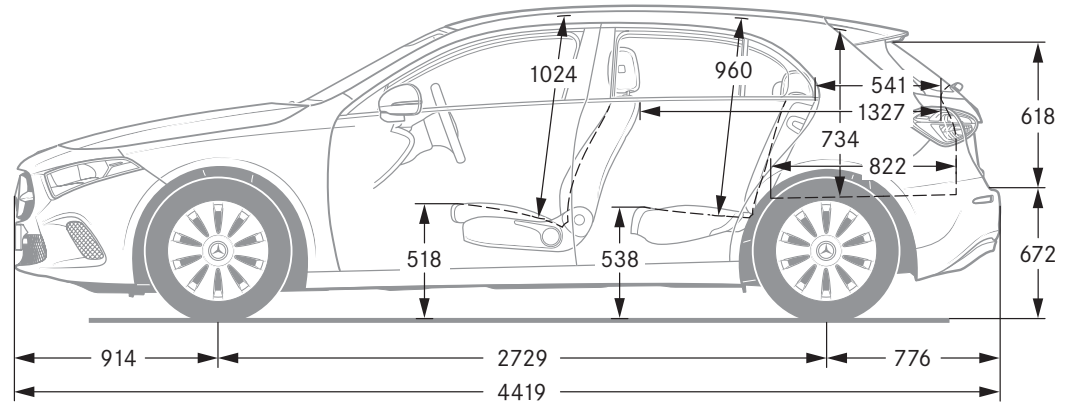
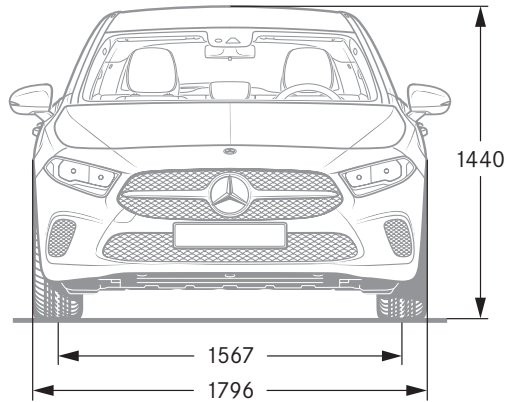
# Technical data.

Displacement (cc)
Rated output (kW [hp])
Acceleration from 0 to 100 km/h (s)
Top speed (km/h)
Fuel consumption (l/100 km)
Urban
Extra-urban
Combined
Combined CO emissions (g/km)

## Petrol engines

	A 200	A 250 4MATIC
Displacement (cc)	1332	1991
Rated output (kW [hp])	120 [163]	165 [224]
Acceleration from 0 to 100 km/h (s)	8.0	6.2
Top speed (km/h)	225	250
Fuel consumption (l/100 km)		
Urban	7.2	8.9
Extra-urban	4.9	5.3
Combined	5.7	6.6
Combined CO emissions (g/km)	130	150

# Dimensions.



All figures in millimetres. The dimensions shown are average values. They are valid for vehicles in basic specification and in unladen condition.



# SPORT — F O R — GOOD

**Mercedes-Benz is one of the founding partners of the “Laureus Sport for Good Foundation”.**

Since the foundation was established in 2000, Mercedes-Benz has been supporting and promoting the aims and values of this worldwide non-profit-making programme: to use social sports projects to improve the lives of children and young people who are disadvantaged or suffering from illness. Laureus has become a fundamental element of Mercedes-Benz’s social responsibility. Every new Mercedes is an ambassador embodying these values. In buying a Mercedes you are supporting the “Laureus Sport for Good Foundation”.

**About the information in this publication:** Changes may have been made to the product since the editorial deadline on 13.07.2018. The manufacturer reserves the right to make changes to the design, form, colour and the delivery scope during the delivery period, provided these changes, while taking into account the interests of the seller, can be deemed reasonable for the buyer. Where the seller or the manufacturer uses symbols or numbers to describe an order or the subject of an order, no rights may be derived solely from these.

Daimler AG, [dialog@daimler.com](mailto:dialog@daimler.com), 02-0418

The illustrations may also show accessories and optional equipment, which are not part of the standard delivery scope. Therefore, please ask your Mercedes-Benz sales representative about the provisions and effects applicable in other countries and about the latest definitive version.

[www.mercedes-benz.com.au](http://www.mercedes-benz.com.au)

Daimler AG, [dialog@daimler.com](mailto:dialog@daimler.com), 02-0418