

# The E-Class Cabriolet



Mercedes-Benz



## Perfectly elegant.

Perfect proportions and puristically designed surfaces create a completely independent side view and a fascinating convertible design.



The outlook: sensual and pure.

The organic shapes and muscular surfaces create the  
hallmark Mercedes-Benz purity.



Experience driving with the top down  
and maximum comfort.



Stylish by conviction.

Its extraordinary amount of space and the stylish design with fine, sporty details impress the occupants equally, whether the roof is up or down.





In the twinkling  
of an eye.

The glittering diamond radiator grille puts on an exclusive little display with every ray of sunshine. The powerdomes on the bonnet add some vibrant highlights.



A revelation.

Through the missing roof the silhouette is given even more lightness and appears even longer.



## Widescreen Cockpit.

The data from the instrument cluster can be displayed in a wider variety of ways on the instrument display of the Widescreen Cockpit. Its high-resolution, 31.2 cm (12.3-inch) screen and 3 display options make the display of vehicle functions easier and better to read.



The Touch Control Buttons on the steering wheel, in combination with the optional Widescreen Cockpit, allow the world of digital automobility to be experienced intuitively.



## Head-up display.

The head-up display provides the driver with important information, without the driver having to take his/her eyes off the traffic. It projects a virtual image measuring approx. 21 x 7 cm into the driver's field of vision which appears to float a round 2 metres in front of him/her above the bonnet.



## COMAND Online.

COMAND Online leaves nothing to be desired where infotainment, navigation and communications are concerned. Information is shown on the 31.2 cm (12.3-inch) high-resolution media display. Thanks to Live Traffic Information - traffic data almost in real time - the hard-disc navigation system quickly takes you to your destination.



### Parking Package with reversing camera.

The Parking Package with reversing camera facilitates the search for and selection of a parking space as well as the entering and exiting of parallel and end-on parking spaces. Active Parking Assist steers the vehicle into a parking space – in conjunction with automatic transmission, the function includes speed regulation and automatic gear changing.



### Stowage Space Package.

The Stowage Space Package comprises a host of useful organisation aids, such as the double cup holder in the centre console, a tensioning strap in the stowage compartment in the centre console, 2 nets beneath the rear seat cushions for flat objects, a holding box in the boot and a net on the boot floor.



### MULTIBEAM LED.

The MULTIBEAM LED headlamps allow the high beam to be left on without dazzling other road users. Individually controllable LEDs direct the light precisely so as to blank out other vehicles whilst illuminating the surroundings with almost daytime-level brightness. A further distinctive design feature: the illuminated blue highlights within the headlamp.



### AIR BALANCE Package.

The vehicle interior can be fragranced to suit individual preferences with the AIR BALANCE Package. There are various high-quality interior fragrances to choose from, to suit your personal preference and mood. Furthermore, the air quality can be improved through ionisation and through optimised filtering of interior and exterior air.



## The AVANTGARDE design and equipment line.

The AVANTGARDE exterior is sporty and expressive. It includes large light-alloy wheels, a diamond radiator grille with black pins and design elements in chrome and aluminium. The lowered AGILITY CONTROL suspension, too, emphasises the sporty look. The sporty, luxurious AVANTGARDE interior is characterised by sporty seats with an integral-seat look and upholstery in ARTICO man-made leather/Norwich fabric, a multifunction steering wheel in nappa leather with a 3-spoke design and aluminium trim elements with light crystal grain.



## The AMG Line design and equipment line.

The AMG Line Exterior enhances the sportiness of the exterior with a range of perfectly harmonised features – from the dynamic AMG bodystyling and the diamond radiator grille with chrome pins through to the large AMG light-alloy wheels. Hallmark AMG characteristics lend this line visibly and tangibly more sportiness and exclusivity. The equipment includes the multifunction sports steering wheel with a flat ended bottom section, the integral-look seats, AMG sports pedals, AMG floor mats and ambient lighting



## designo – individuality at its most alluring.

The designo range offers peerless, high-quality paint finishes. Your only problem is having to decide between the sensational metallic paint finishes, satin-finish magno and light paint finishes with particularly high-quality special-effect pigments. Regardless of the colour variant you finally decide upon, with designo you will always set the right tone.

At the centre of our interiors philosophy lie the greatest possible seating comfort and elevated aesthetic appeal. designo leather is worked by experienced upholsterers working to the highest standards of craftsmanship. And regardless of which variant you opt for, designo upholstery always looks and feels good.





## AIR BODY CONTROL.

In combination with continuously variable damping control, the air suspension system ensures ride comfort and dynamic handling on a very high level. The damping at each wheel is adapted to the current driving situation, and can be set for more comfortable or sporty characteristics as required.

### **DYNAMIC BODY CONTROL SUSPENSION WITH ADJUSTABLE DAMPING**

The **DYNAMIC SELECT switch** allows the driver to change the vehicle's damping characteristics. There is a choice between Comfort mode with more comfortable damping characteristics and two Sport modes for a sporty, taut damper setup.



## Transmission – makes power smooth.

The Mercedes-Benz E-Class Cabriolet is equipped with 9G-TRONIC as standard – a milestone in efficiency, comfort and dynamism. The 9-speed automatic transmission impresses with smooth, barely perceptible gearshifts and at the same time cuts the consumption values.

### **ALL-WHEEL DRIVE**

The **4MATIC all-wheel drive system** ensures dynamic and safe handling in the E-Class Cabriolet – on tight corners, on wet roads as well as on snow. Combined with the powerful engines and the 9G-TRONIC 9-speed automatic transmission a uniquely superior and comfortable driving experience is created.

# Performing in style.

Every Mercedes-AMG is a masterpiece in its own right, with an unmistakable character. What unites our performance vehicles and sports cars is their irrepressible sporting spirit. Their passion for top performance. It is generated at the point where engineering skill meets a very special attitude: the spirit of AMG. We believe that you have to keep on challenging limits in order to achieve new goals. We accept nothing as a given. Because limits are imposed by people, and it's also people who can overcome them. It's this attitude that enables us to achieve outstanding performance for the race track – and for the road.

Welcome to the world of AMG.

[www.mercedes-amg.com](http://www.mercedes-amg.com)

**AMG**  
DRIVING PERFORMANCE



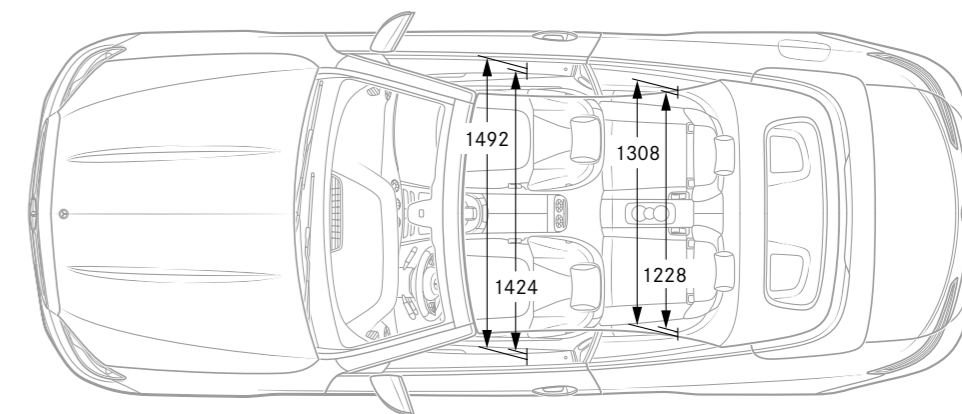
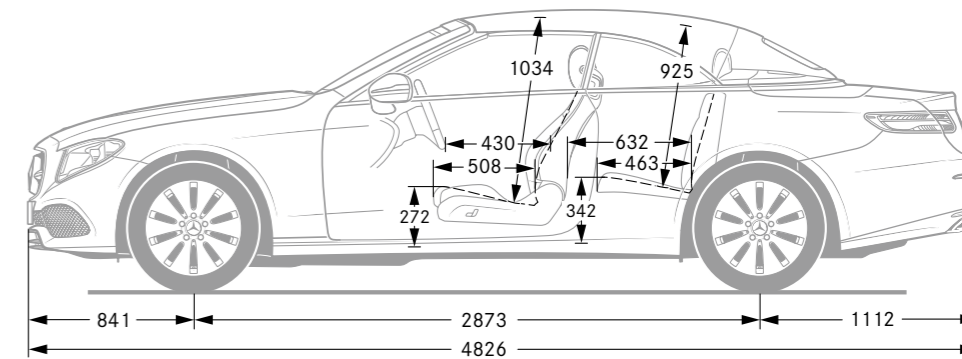
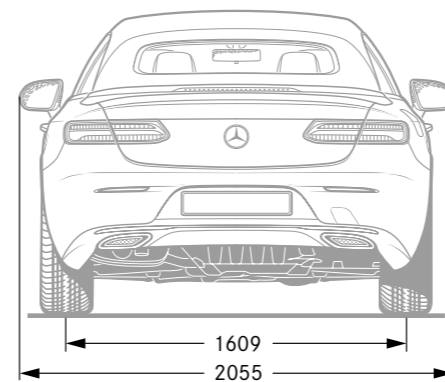
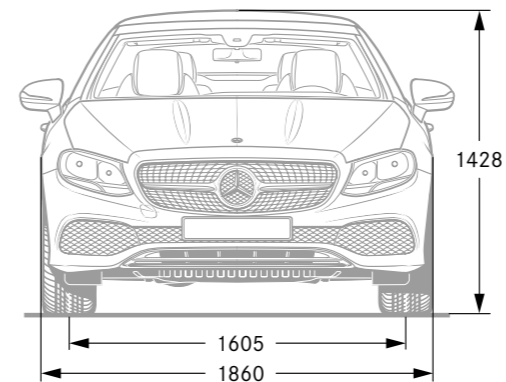
## Technical data.

Petrol engines			
	E 300	E 450 4MATIC	E 53 4MATIC+
Displacement (cc)	1991	2996	2999
Rated output (kW at rpm)	180	270	320
Acceleration from 0 to 100 km/h (s)	6.6	TBA	4.5
Top speed (km/h)	250	TBA	250
Fuel consumption (l/100 km)			
Combined	7.4	TBA	9.0
Combined CO <sub>2</sub> emissions (g/km)	170	TBA	204

The best for the engine:  
Mercedes-Benz genuine engine oils.

The declared fuel and energy consumption figures are determined by testing under standardised laboratory conditions to comply with ADR 81/02. Real world fuel consumption is influenced by many additional factors such as fuel quality, individual driving style, load, traffic, and vehicle condition. The declared fuel consumption figure should only be used for the purpose of comparison amongst vehicles. For more technical data, please visit [www.mercedes-benz.com.au](http://www.mercedes-benz.com.au)

## Dimensions.



All figures in millimetres. The illustrated dimensions are mean values. They are valid for vehicles in basic specification and in unladen condition.



# SPORT — F O R — GOOD

Mercedes-Benz is one of the founding partners of the worldwide “Laureus Sport for Good Foundation”, which was established in 2000. It is the Mercedes-Benz brand’s most important social initiative. Laureus Sport for Good supports children and young people in need through social sports projects, opening up new perspectives and imparting important values such as team spirit, respect and determination. “Change the Game for Kids” is our mission statement which we wish to share with you. In buying a Mercedes-Benz you are supporting the “Laureus Sport for Good” movement.

About the information in this publication: Changes may have been made to the product since the editorial deadline on 13.07.2018. The manufacturer reserves the right to make changes to the design, form, colour and the delivery scope during the delivery period, provided these changes, while taking into account the interests of the seller, can be deemed reasonable for the buyer. Where the seller or the manufacturer uses symbols or numbers to describe an order or the subject of an order, no rights may be derived solely from these.

The illustrations may also show accessories and optional equipment, which are not part of the standard delivery scope. Therefore, please ask your Mercedes-Benz sales representative about the provisions and effects applicable in other countries and about the latest definitive version.

[www.mercedes-benz.com.au](http://www.mercedes-benz.com.au)